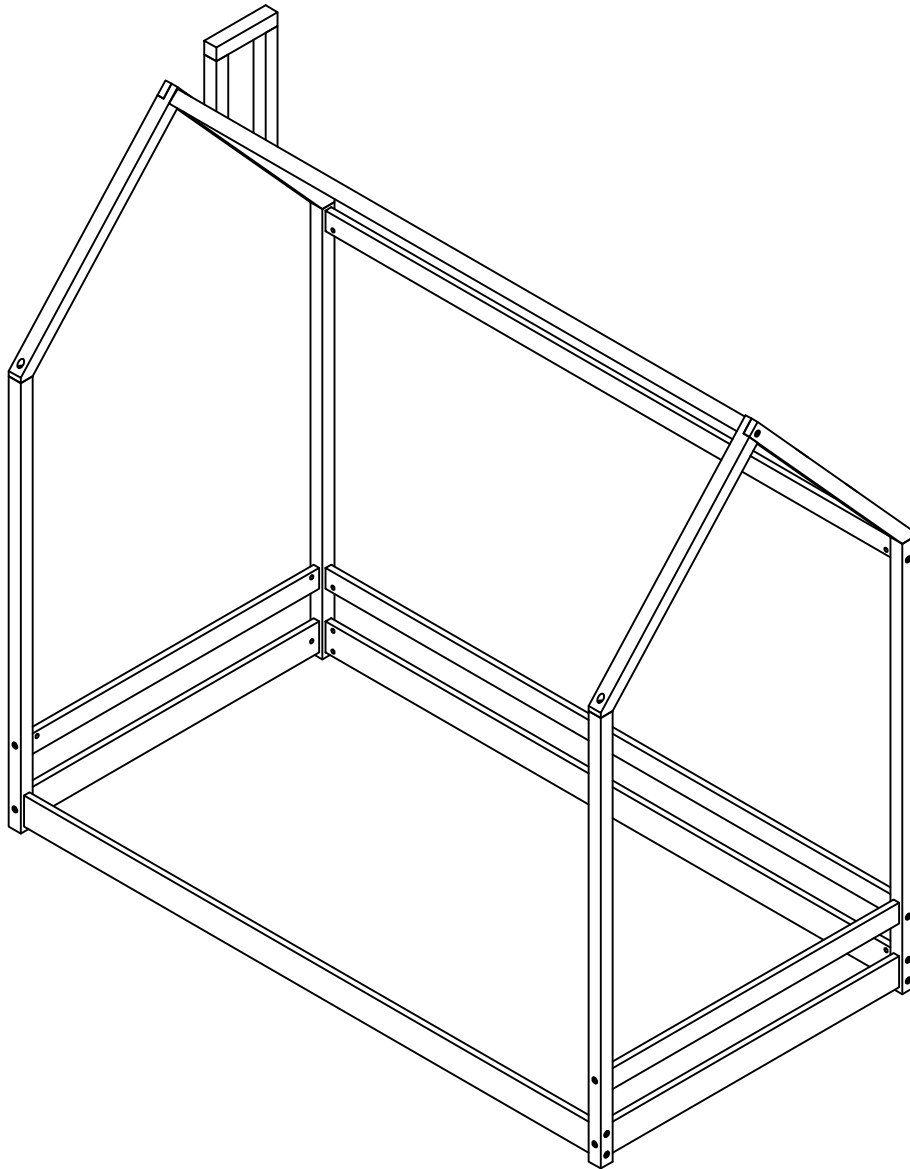
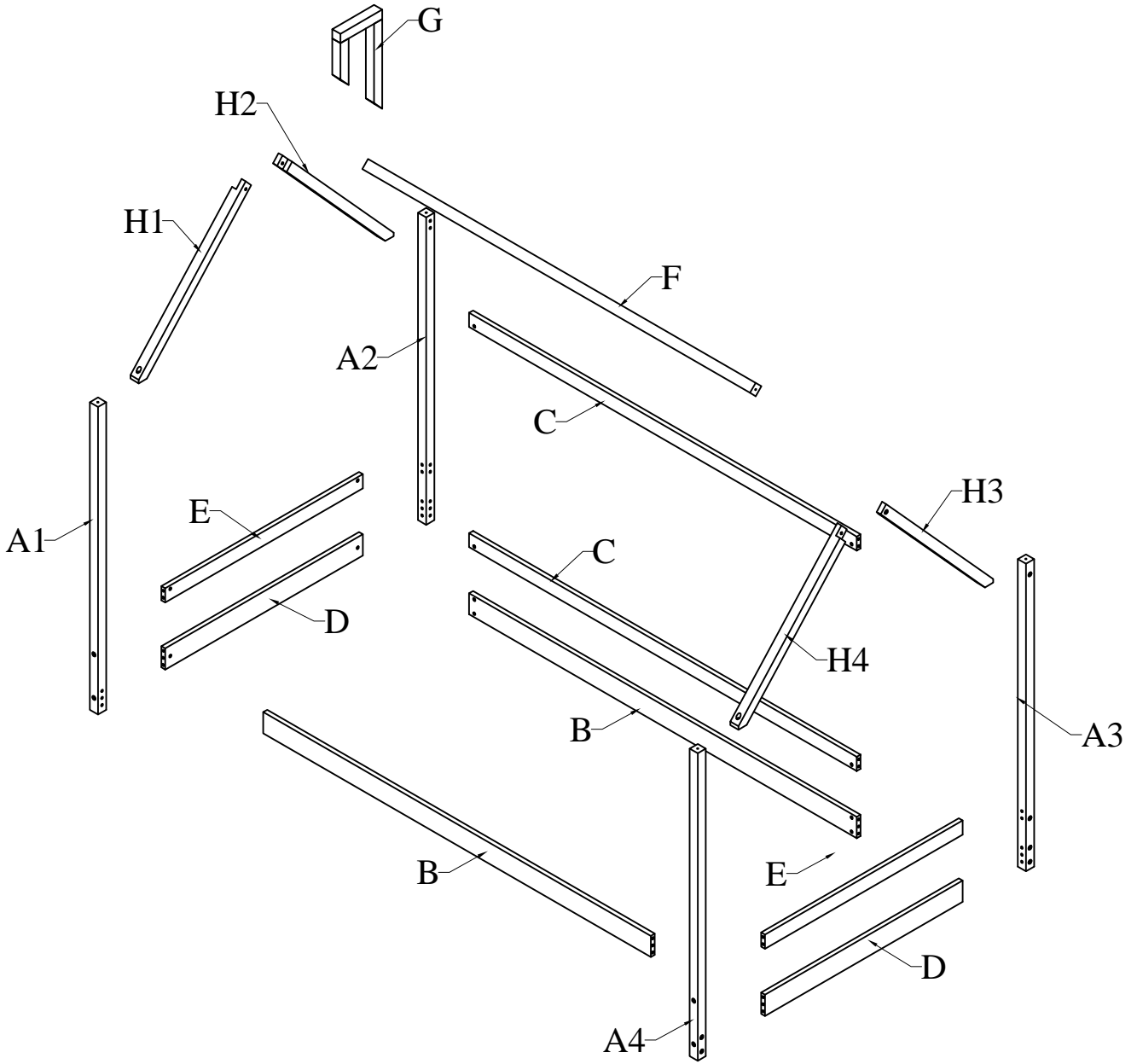




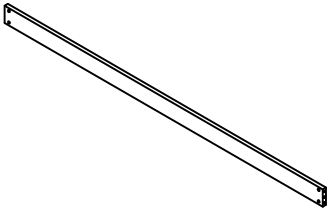
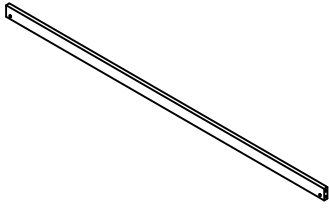
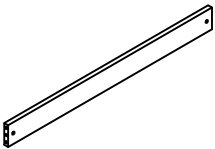
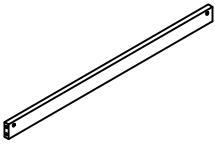
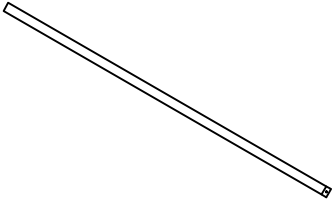
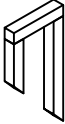
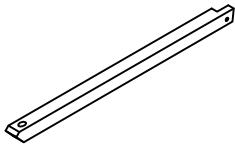
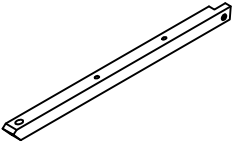
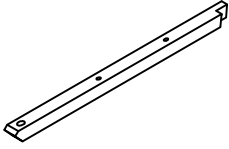
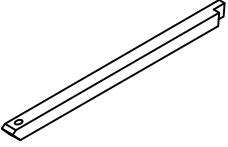


# ASSEMBLY INSTRUCTIONS

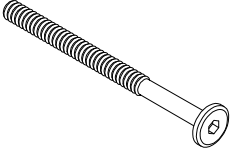

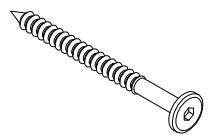

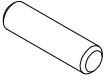
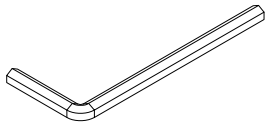


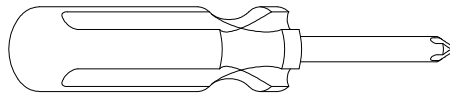
# DETAIL VIEW



<p>A1</p>  <p>Front leg - left (1pc)</p>	<p>A2</p>  <p>Back leg - left (1pc)</p>	<p>A3</p>  <p>Back leg - right (1pc)</p>	<p>A4</p>  <p>Front leg - right (1pc)</p>
<p>B</p>  <p>Side rail - front &amp; back (2pcs)</p>	<p>C</p>  <p>Side rail - back (2pcs)</p>	<p>D</p>  <p>Horizontal bar 1 (2pcs)</p>	<p>E</p>  <p>Horizontal bar 2 (2pcs)</p>
<p>F</p>  <p>Support (1pc)</p>	<p>G</p>  <p>Chimney frame (1pc)</p>	<p>H1</p>  <p>Vertical bar front - left (1pc)</p>	<p>H2</p>  <p>Vertical bar back - left (1pc)</p>
<p>H3</p>  <p>Vertical bar back - right (1pc)</p>	<p>H4</p>  <p>Vertical bar front - right (1pc)</p>		
<p style="text-align: right;">Page 03 Of 08</p>			

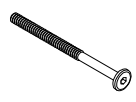

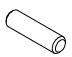
# HARDWARE LIST:

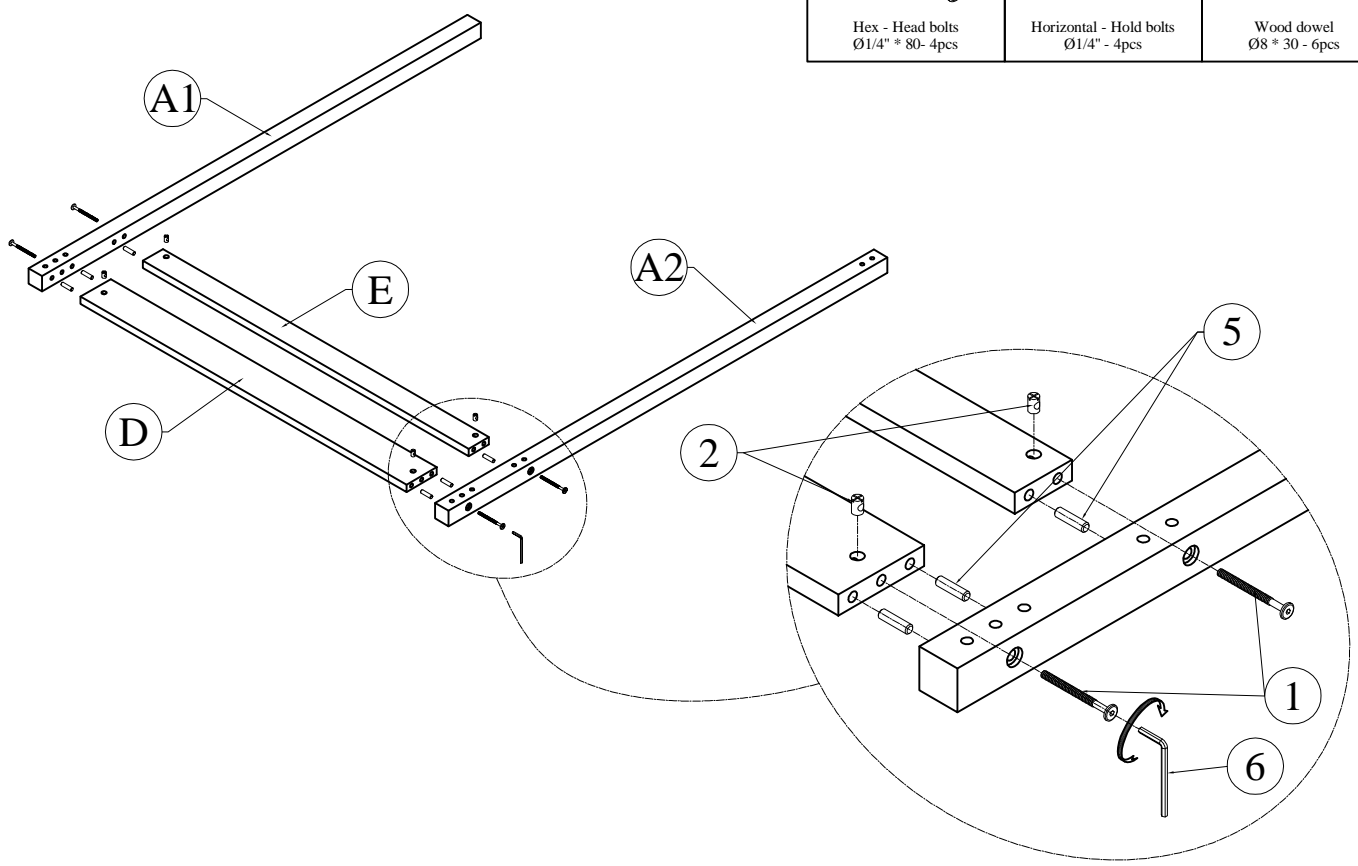
<p>1</p>  <p>Hex - Head bolts Ø1/4" * 80 - 20pcs</p>	<p>2</p>  <p>Horizontal - Hold bolts Ø1/4" - 20pcs</p>	<p>3</p>  <p>Hexagonal bolts catch wood Ø6 * 80 - 4pcs</p>	<p>4</p>  <p>Hexagonal bolts catch wood Ø6 * 60 - 4pcs</p>
<p>5</p>  <p>Wood dowel Ø8 * 30 - 20pcs</p>	<p>6</p>  <p>Allen key K4 - 1pc</p>		





**Assembly Tools Required (Not Included)**

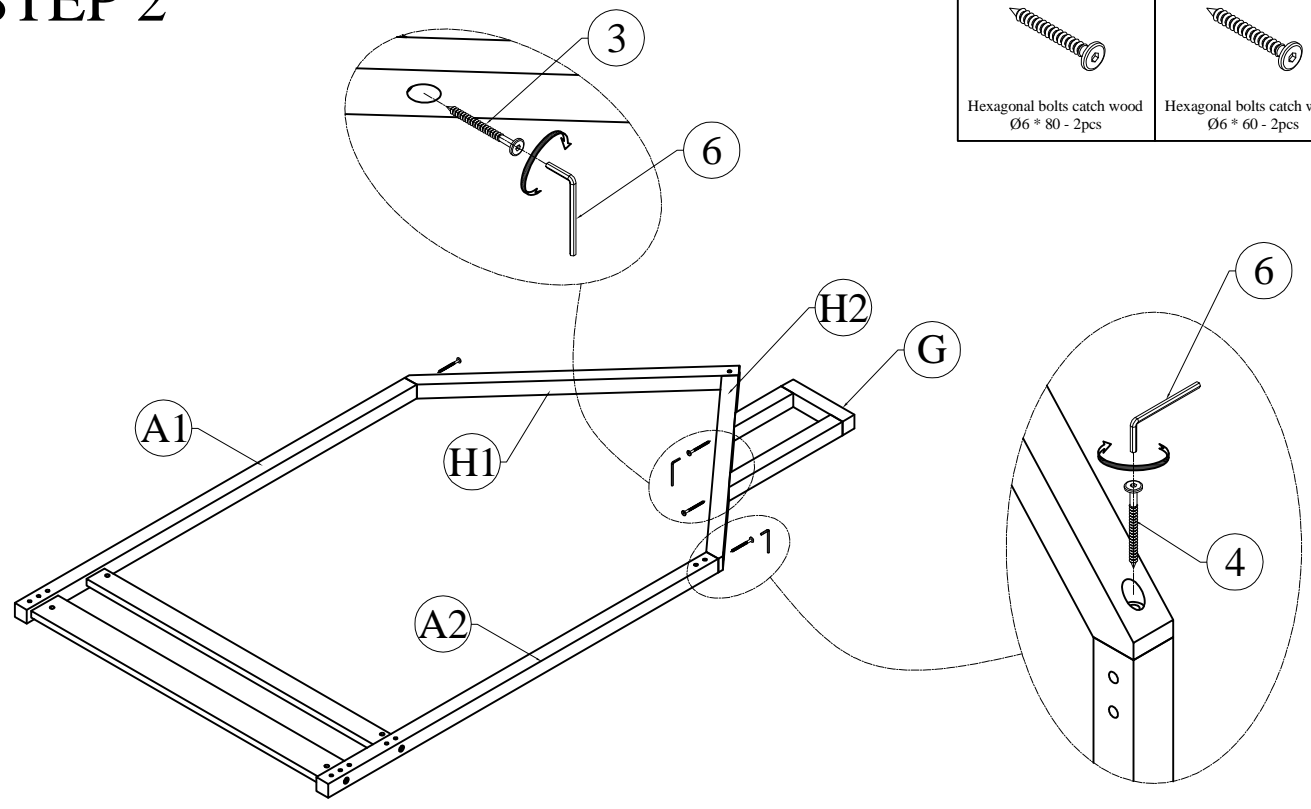
# STEP 1

<p>1</p>  <p>Hex - Head bolts Ø1/4" * 80- 4pcs</p>	<p>2</p>  <p>Horizontal - Hold bolts Ø1/4" - 4pcs</p>	<p>5</p>  <p>Wood dowel Ø8 * 30 - 6pcs</p>
--	--	---

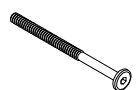



# STEP 2

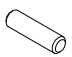
<p>3</p>  <p>Hexagonal bolts catch wood Ø6 * 80 - 2pcs</p>	<p>4</p>  <p>Hexagonal bolts catch wood Ø6 * 60 - 2pcs</p>
---	---

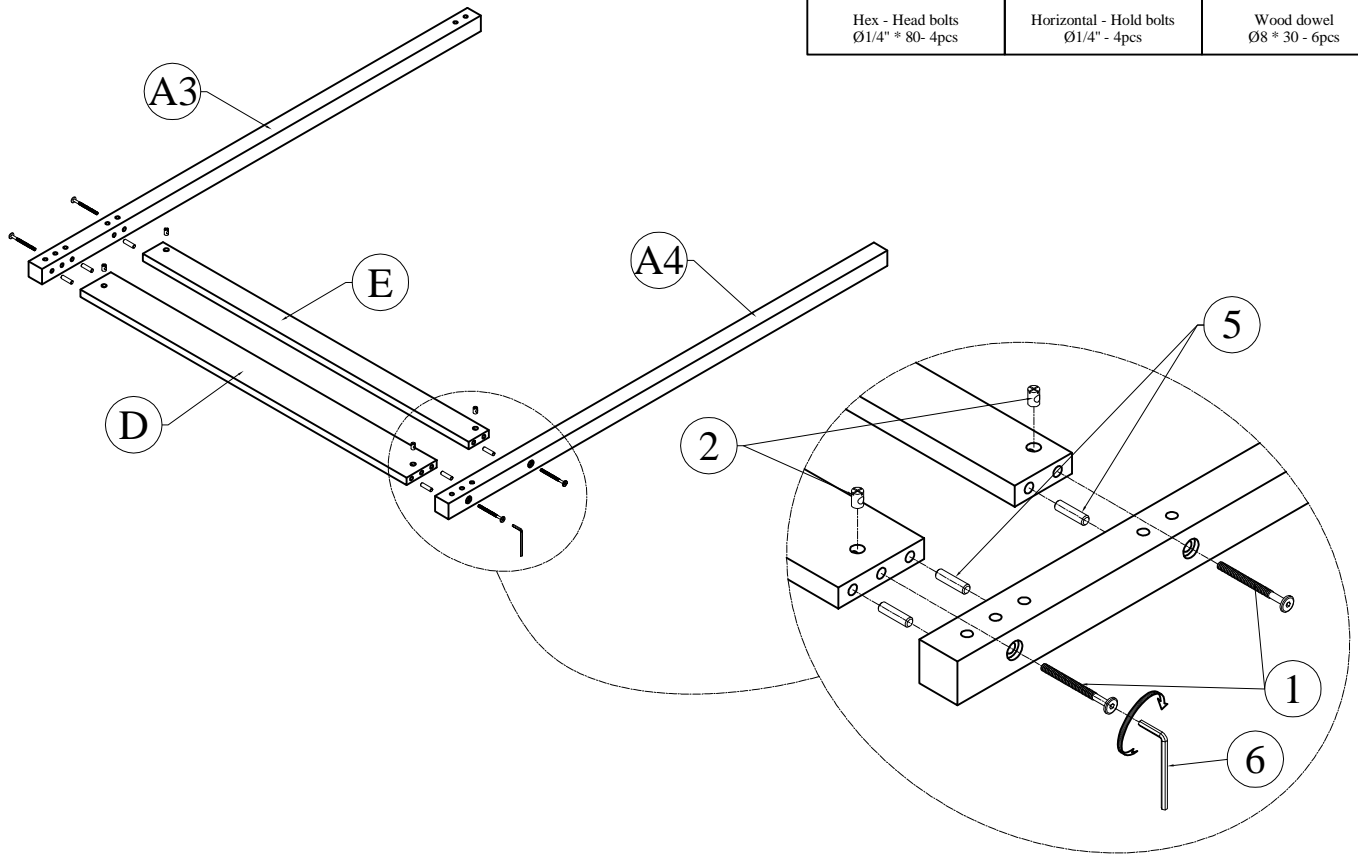


# STEP 3


1  
  
Hex - Head bolts  
Ø1/4" \* 80- 4pcs

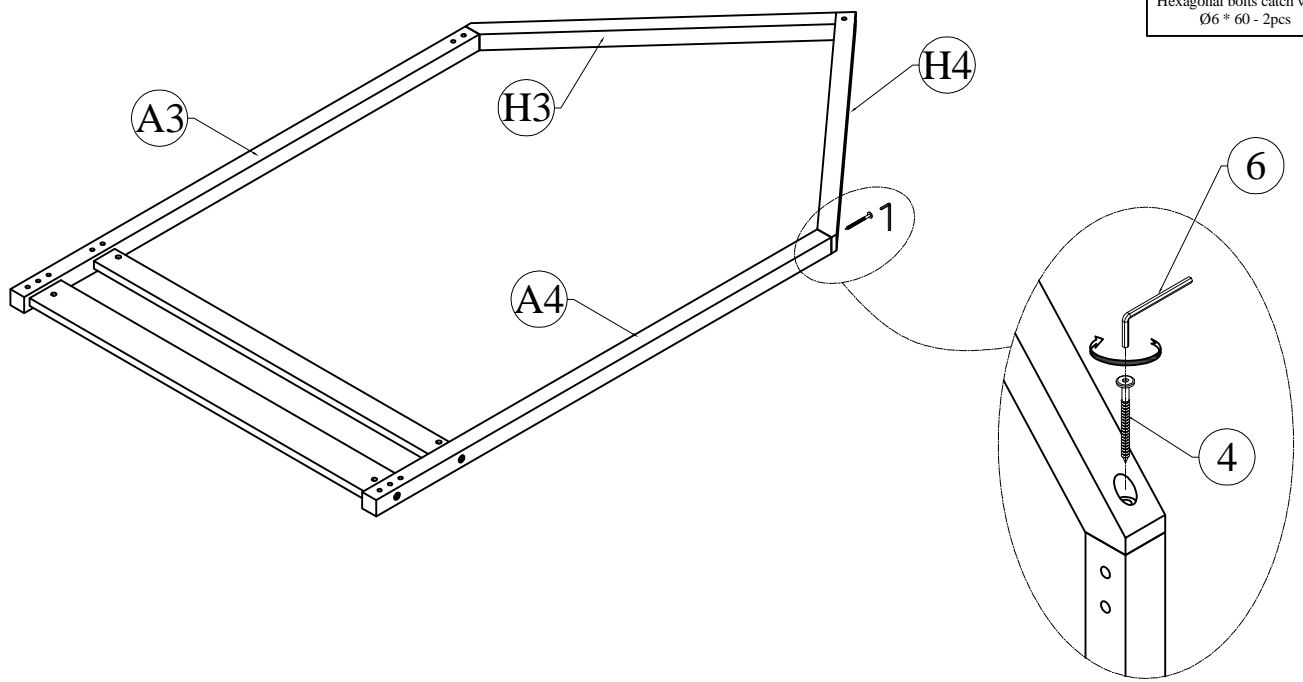
2  
  
Horizontal - Hold bolts  
Ø1/4" - 4pcs

5  
  
Wood dowel  
Ø8 \* 30 - 6pcs




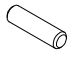


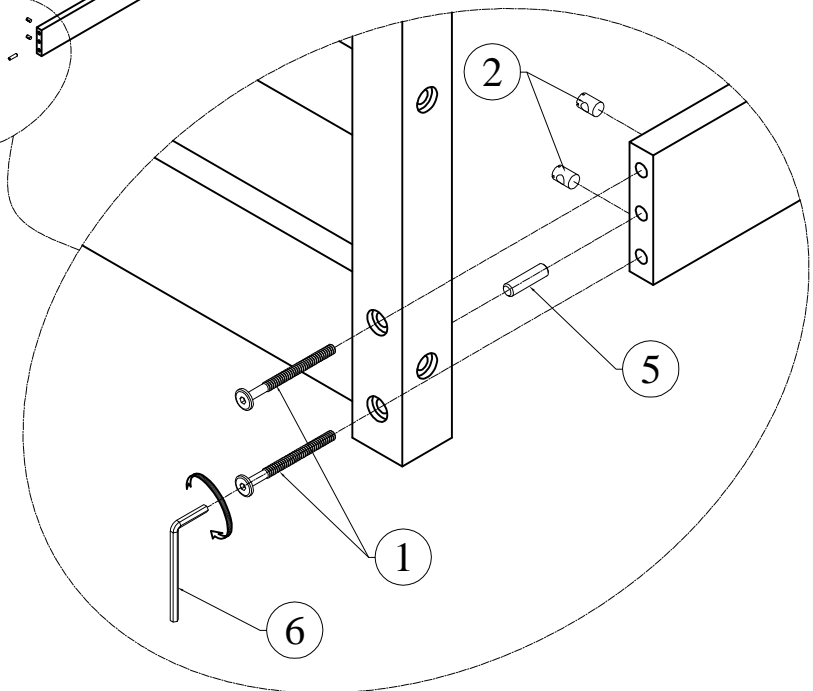
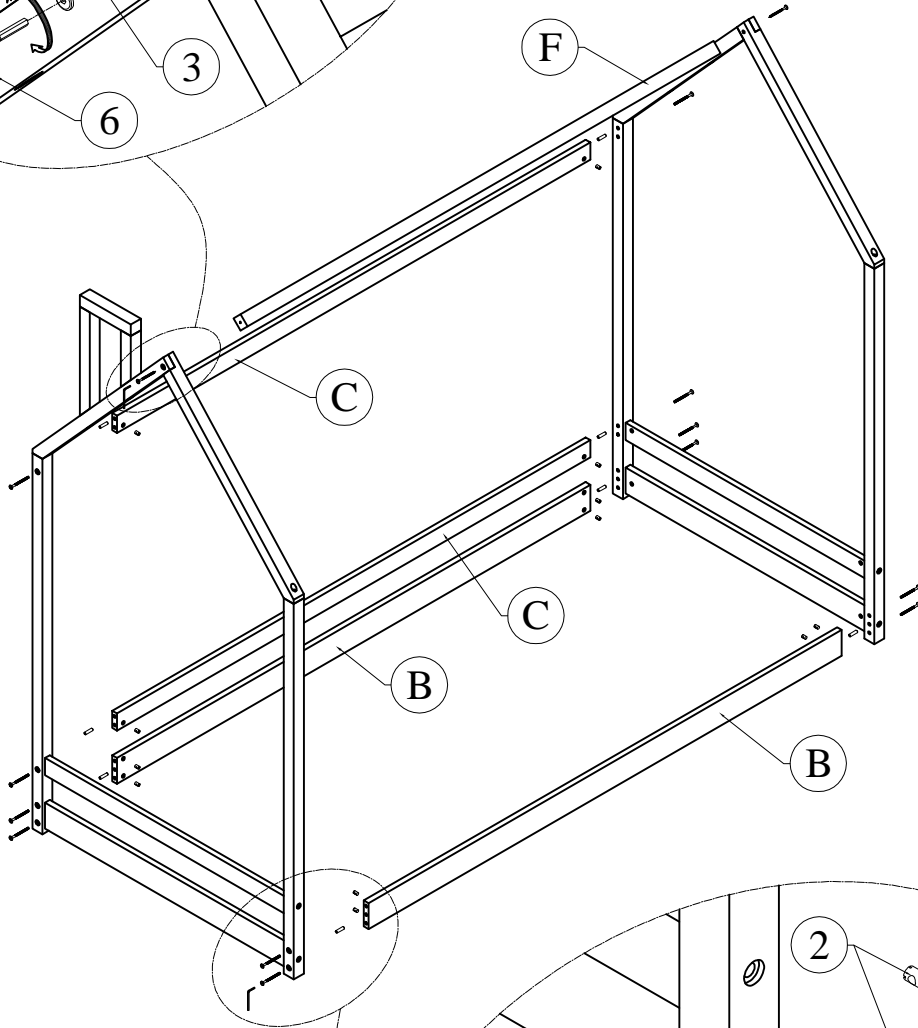
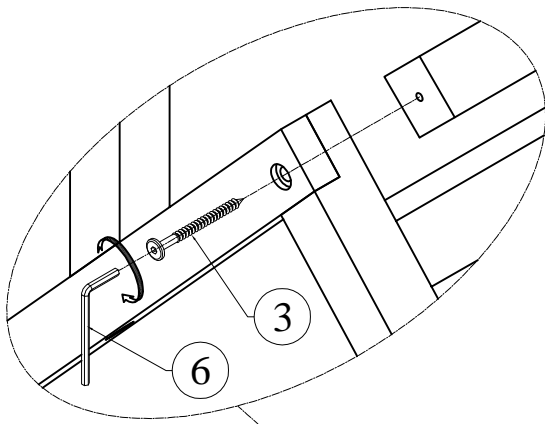
# STEP 4

4  
  
Hexagonal bolts catch wood  
Ø6 \* 60 - 2pcs



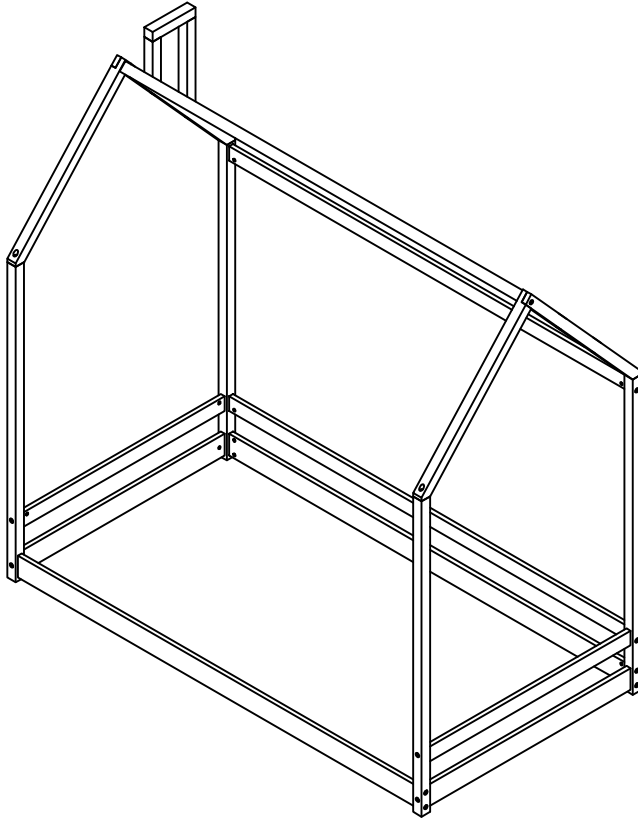
# STEP 5

<p>1</p>  <p>Hex - Head bolts Ø1/4" * 80 - 12pcs</p>	<p>2</p>  <p>Horizontal - Hold bolts Ø1/4" - 12pcs</p>
<p>3</p>  <p>Hexagonal bolts catch wood Ø6 * 80 - 2pcs</p>	<p>5</p>  <p>Wood dowel Ø8 * 30 - 8pcs</p>



# COMPLETED

OPTION 1



OPTION 2

