


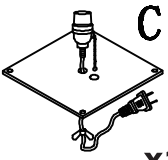

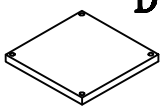


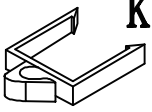
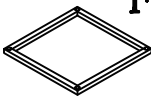

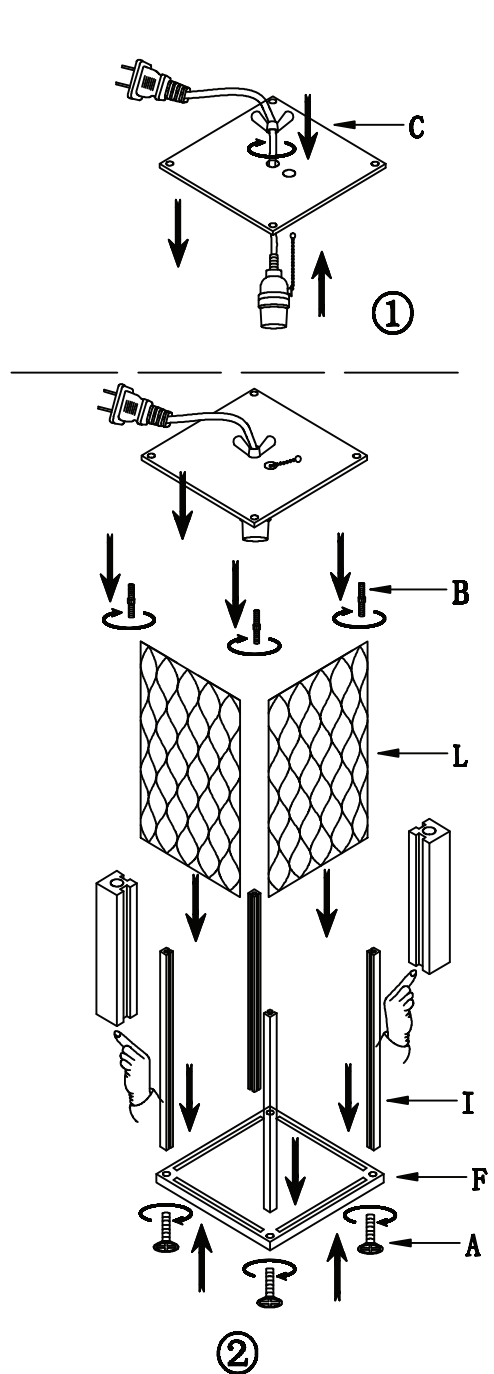
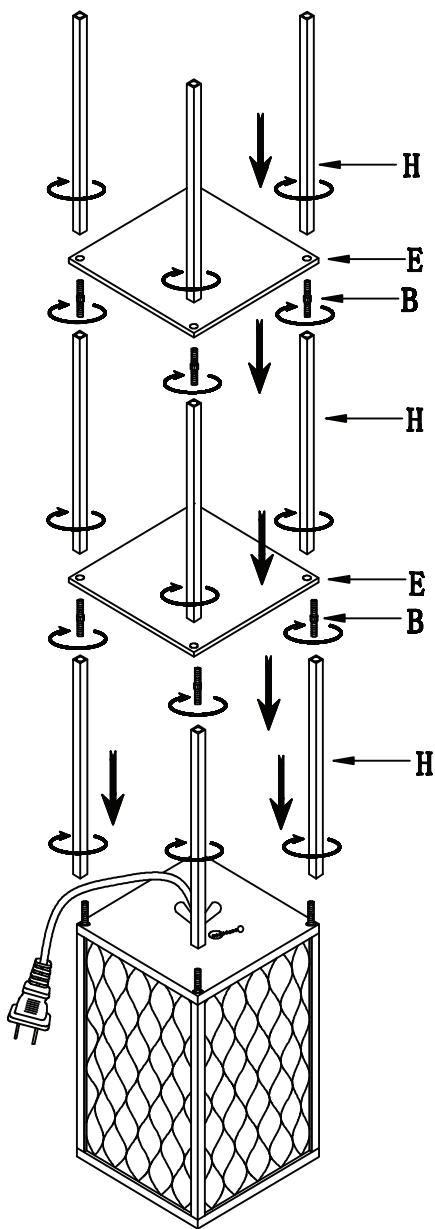
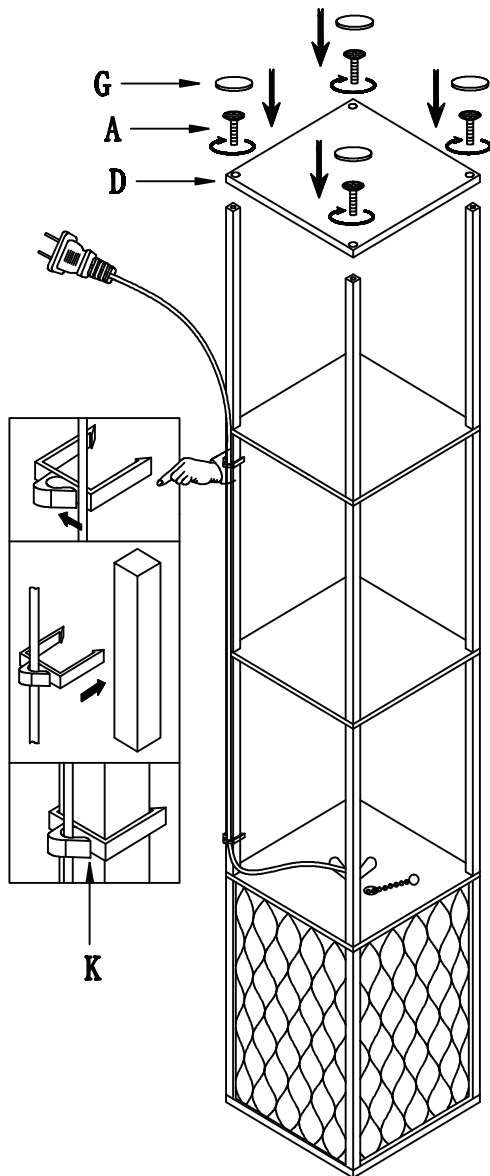
 <p>A</p> <p>4x30mm x8</p>	 <p>G</p> <p>x4</p>
 <p>B</p> <p>x12</p>	 <p>H</p> <p>x12</p>
 <p>C</p> <p>x1</p>	 <p>I</p> <p>x4</p>
 <p>D</p> <p>x1</p>	 <p>J</p> <p>x4</p>
 <p>E</p> <p>x2</p>	 <p>K</p> <p>x3</p>
 <p>F</p> <p>x1</p>	 <p>L</p> <p>x4</p>

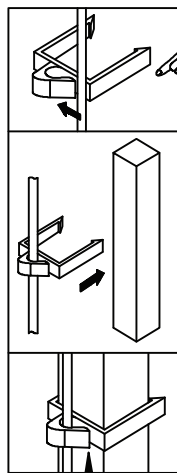




③



④



K

