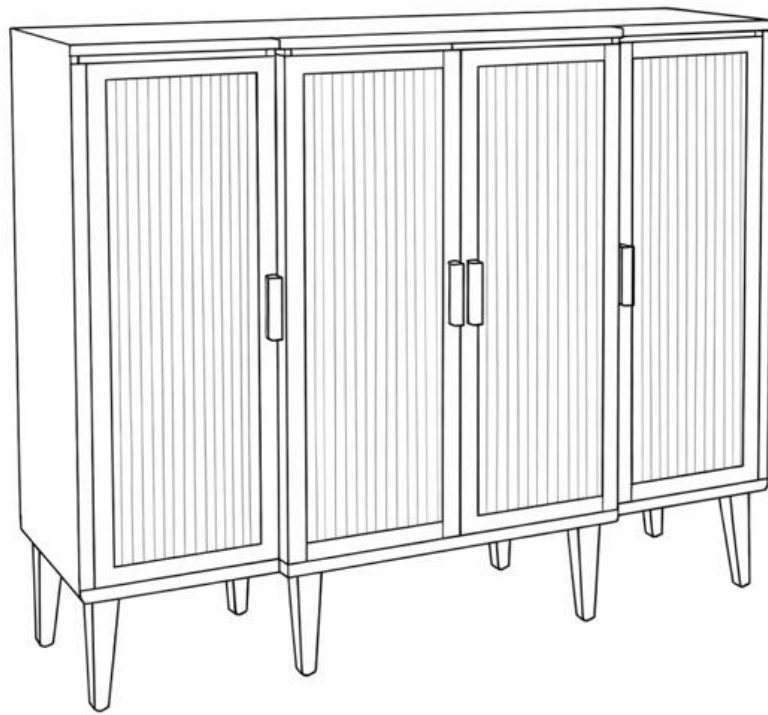


# Assembly Instruction

## Accent Cabinet




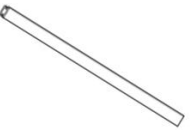

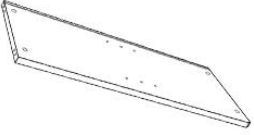

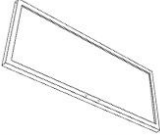
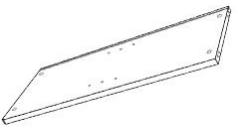
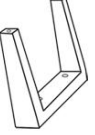
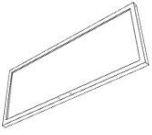








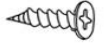









**⚠ WARNING:**

**Thanks for buying this Living Room Furniture.**

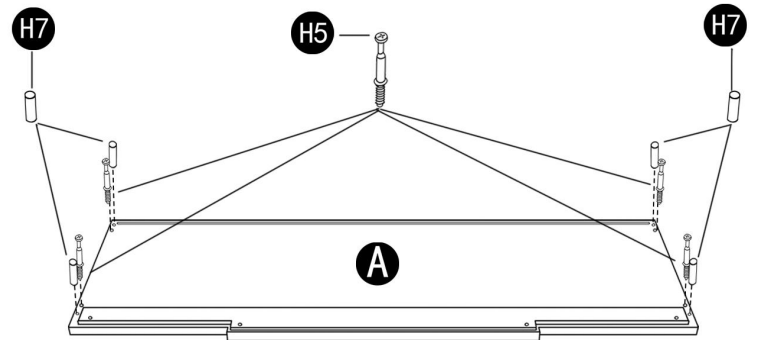
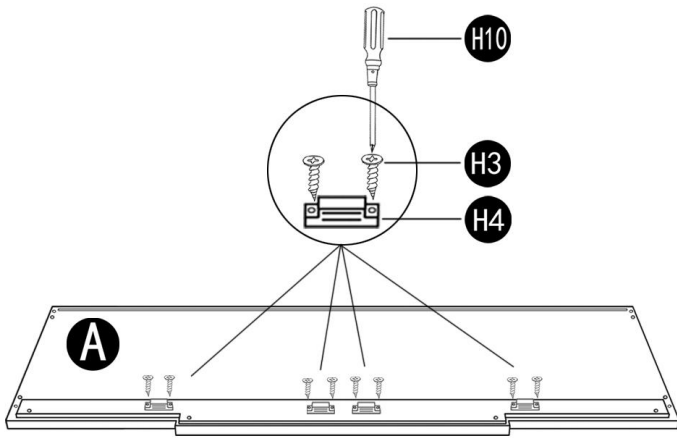
- Read all instructions carefully and completely before assembly and use.
- Retain for future reference.
- **DO NOT use power tools.**
- **DO NOT over-tighten hardware.**
- Periodically check all hardware and re-tighten as necessary.
- DO NOT sit or stand on product. Use only for intended purpose.
- DO NOT exceed 80lbs for the tabletop and 30lbs for the shelf, evenly distributed.

**Parts List**

Check all parts before assembly

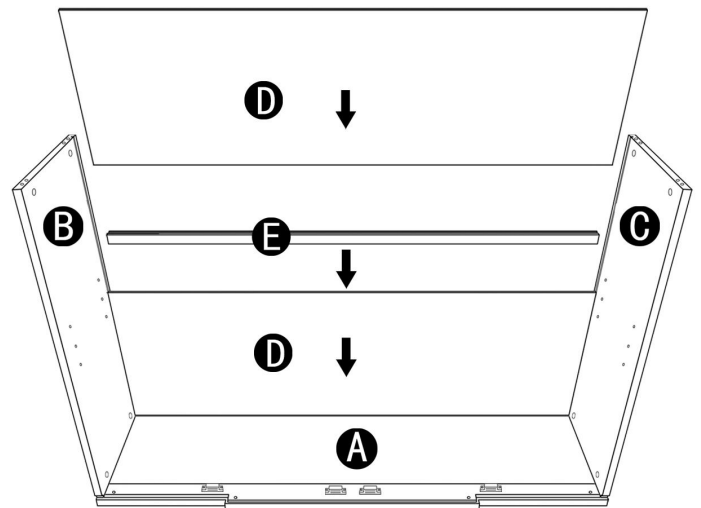
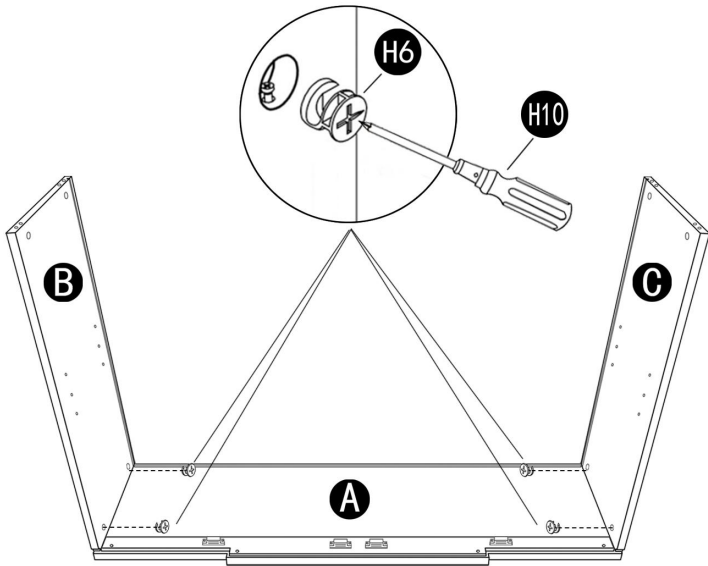
<b>A.</b>		<b>1</b>	<b>E.</b>		<b>1</b>	<b>I.</b>		<b>1</b>
<b>B.</b>		<b>1</b>	<b>F.</b>		<b>1</b>	<b>J.</b>		<b>2</b>
<b>C.</b>		<b>1</b>	<b>G.</b>		<b>2</b>	<b>K.</b>		<b>2</b>
<b>D.</b>		<b>2</b>	<b>H.</b>		<b>2</b>			
<b>H1.</b>		<b>8+2</b>	<b>H7.</b>		<b>8+2</b>	<b>H13.</b>		<b>8+1</b>
<b>H2.</b>		<b>8+2</b>	<b>H8.</b>		<b>8+2</b>	<b>H14.</b>		<b>4</b>
<b>H3.</b>		<b>8+2</b>	<b>H9.</b>		<b>1</b>	<b>H15.</b>		<b>4</b>
<b>H4.</b>		<b>4</b>	<b>H10.</b>		<b>1</b>			
<b>H5.</b>		<b>8+2</b>	<b>H11.</b>		<b>8+2</b>	<b>H16.</b>		<b>4+1</b>
<b>H6.</b>		<b>8+2</b>	<b>H12.</b>		<b>4</b>			

**Step 1:** Put the Top panel (A) on a soft surface to protect the finish. Attached the Magnet (H4) to the Top panel (A) with Screw (H3) by Spanner (H10). Insert the bolt (H5) and wooden pin (H11) into the pre-drilled holes on panel (A) as shown below.



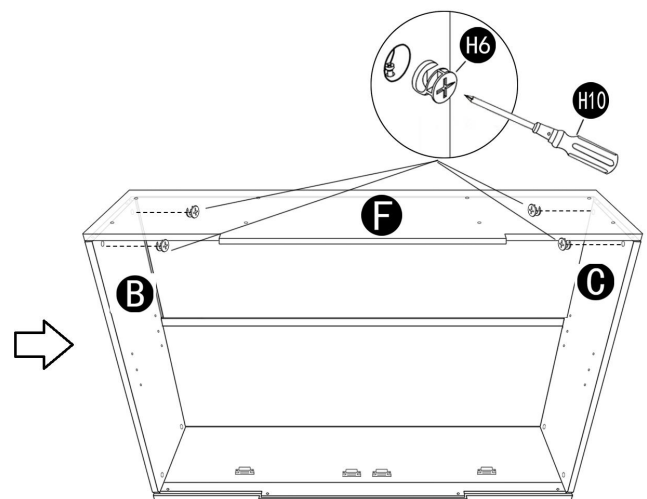
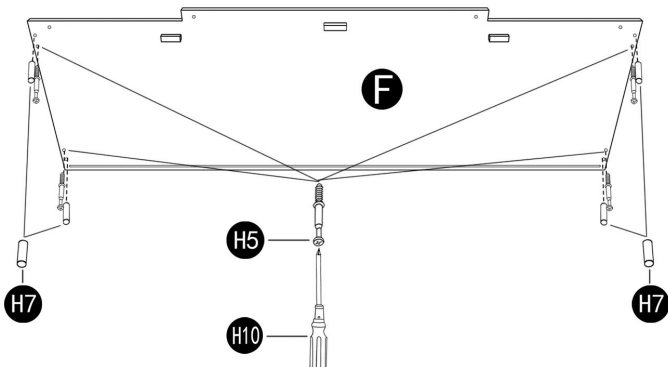
**Step 2:** Attach the Panel (B&C) to Panel (A) with Screw (H6) by Spanner (H10) as shown below.

**Leave hardware loose in this step.** Insert Panel (D)&Wooden strip (E) into the Panel (B&C&(A) as shown below.

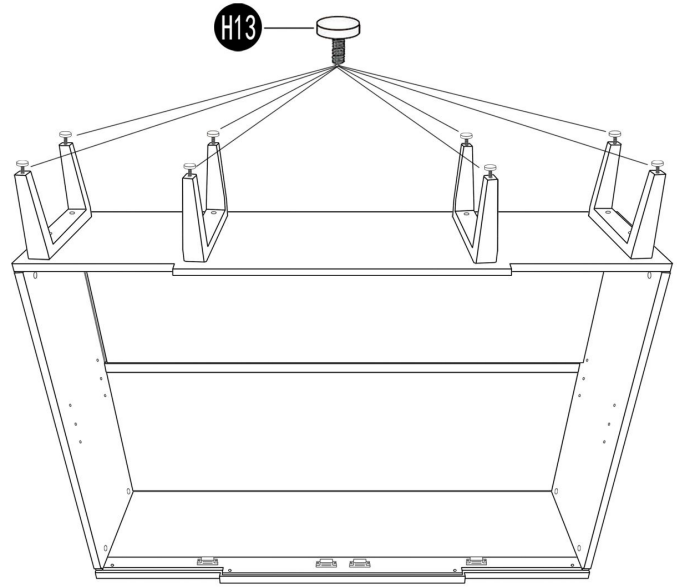
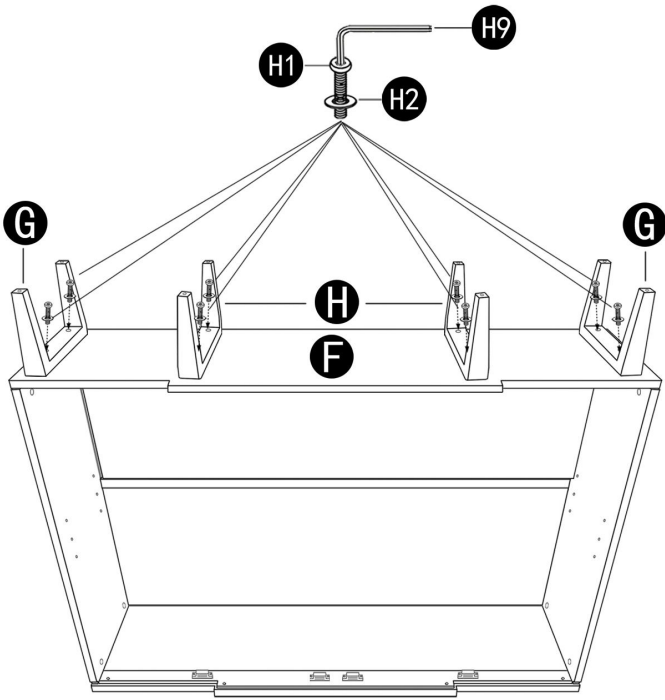


**Step 3:** Insert the bolt (H5) and wooden pin (H11) into the pre-drilled holes on panel (F). Attach the Panel (F) to Panel (B&C) with Screw (H6) by Spanner (H10) as shown below. **Fully tighten all bolts from step 1 to 3.**

Upside down version, same way as step 1.



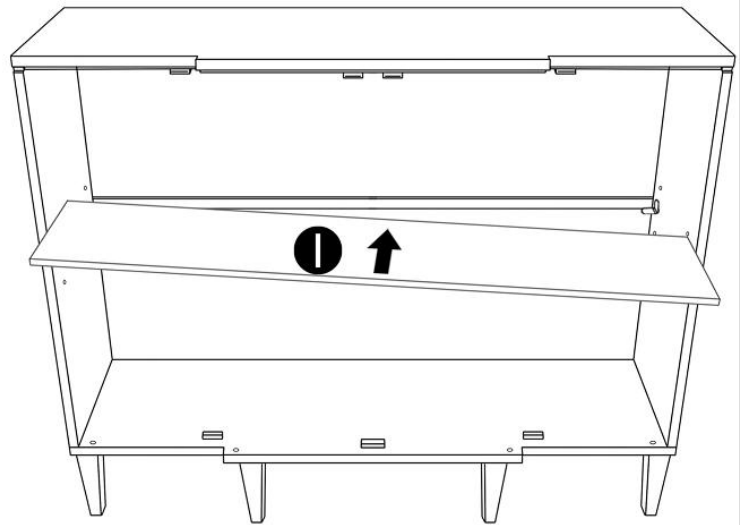
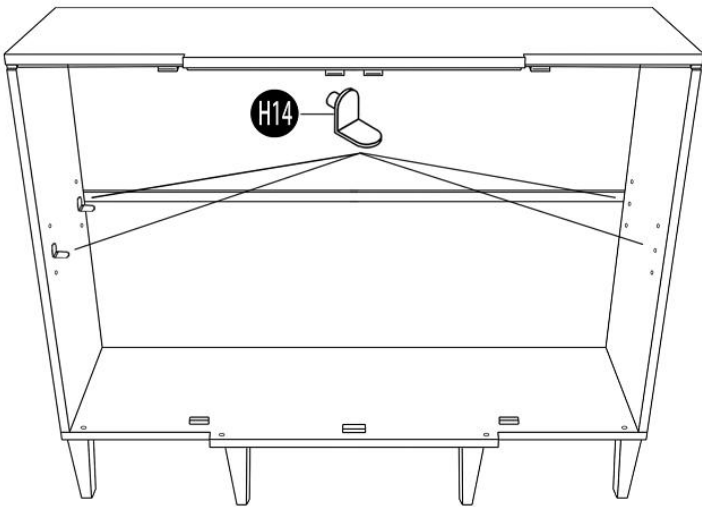
**Step 4:** Attach the Leg (H) & Leg (G) with Hex bolt (H1) & Washer (H2) by Allen Key (H9) as shown below. Attach the Foot pad (H8) to all Leg as below.



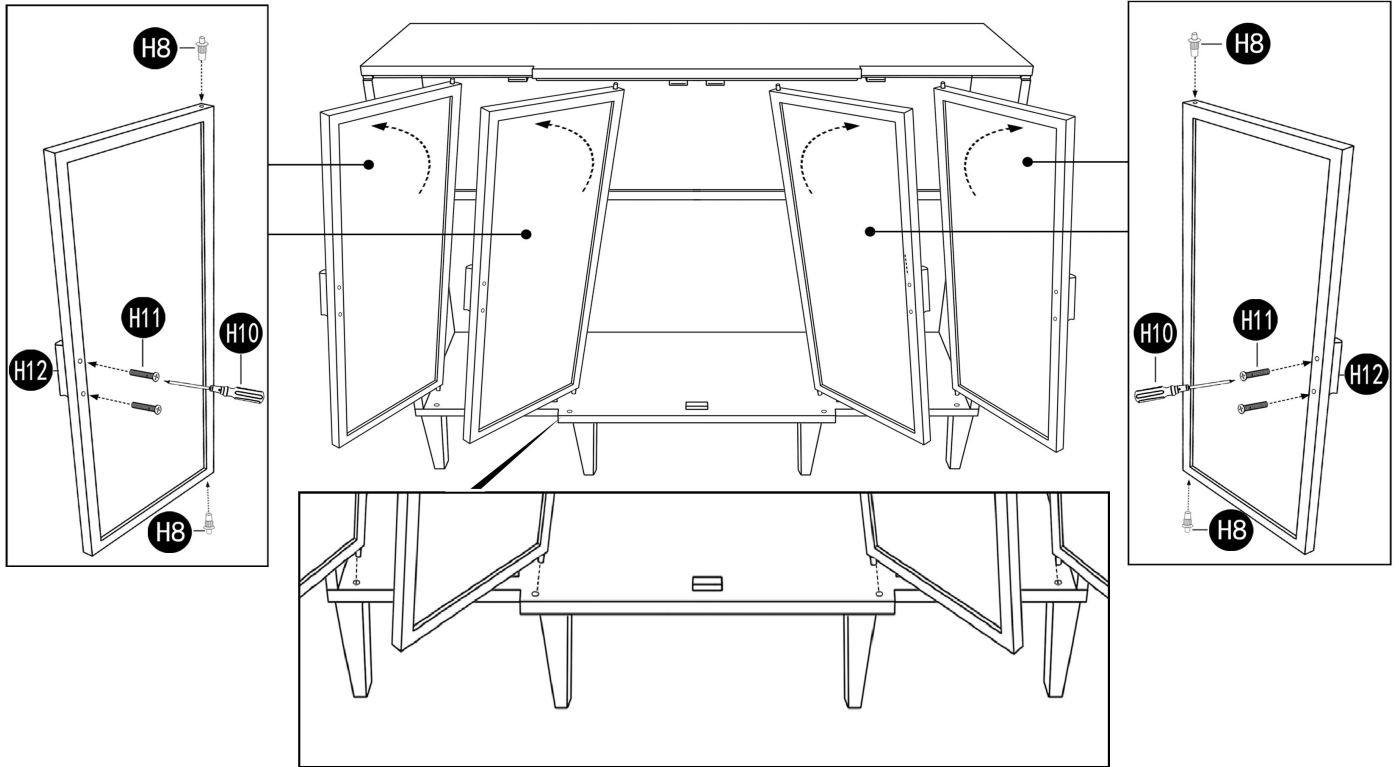
**Step 10: TWO PEOPLE REQUIRED** when turning the item upside down to avoid breaking the legs.

Insert the Shelf pin (H14) into the holes on Panel (B&C). Place the shelf (I) inside.

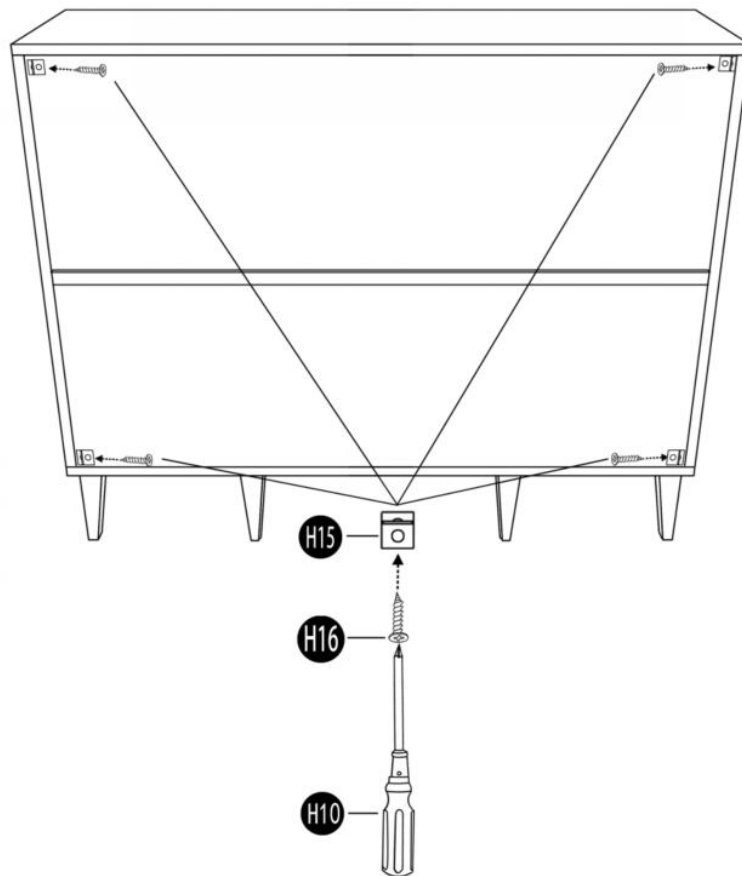
(Each side panel with 6 adjustable holes.)



**Step 11:** Attach the door handle (H12) to each door using screw (H11) and tighten with the spanner (H10). Insert the bottom door pin (H8) into the hole on the cabinet first, then press down the top door pin (H8) to secure the door in place.



**Step 12:** Attach (H15) to the back of the main body to enhance the stability with (H3) by Spanner (H10) as shown below.



Notice: If you encounter any issues during installation or use, please email us, including your order ID and a detailed description of the problem. If possible, please provide relevant images to expedite assistance. We will strive to resolve any issues promptly.