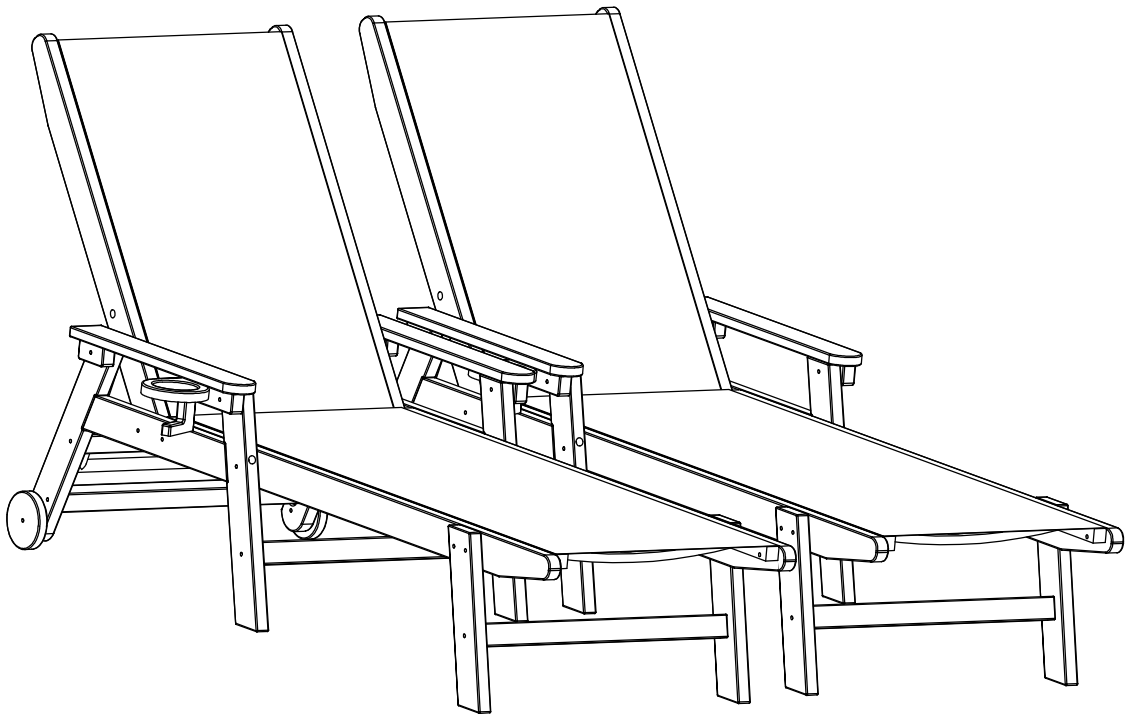




# 2Pcs Patio Chaise Lounge

## ASSEMBLY MANUAL



MODEL #:LLFZ9393-X2

Missing part? Damaged? Contact us via email at

[service@domioutdoorliving.com](mailto:service@domioutdoorliving.com)

[www.domioutdoorliving.com](http://www.domioutdoorliving.com)

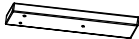


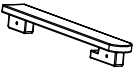

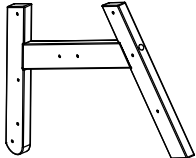
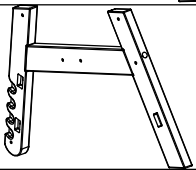
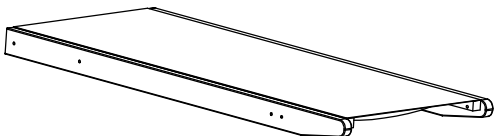
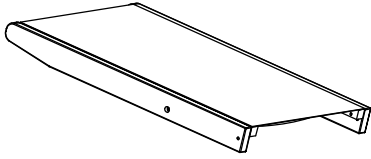
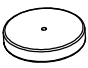
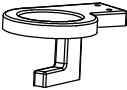
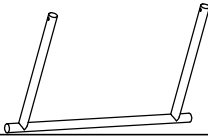
## BEFORE STARTING ASSEMBLY

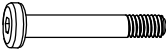
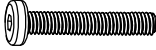





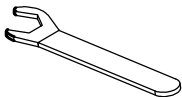

- ① Please check all parts and components to ensure that there are no damages or missing items BEFORE starting the construction of the product.
- ② For ease of construction, you may need a Power Drill (Cordless, Variable Speed).
- ③ It would be much easier to assemble the product with two or more people.
- ④ Some parts have metal edges. Please be careful when handling components.

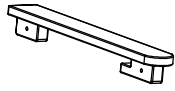
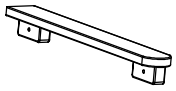
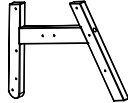
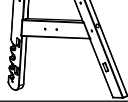


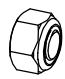
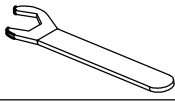

**IMPORTANT:** Please contact Customer Service if you have any problems or discover any missing parts.



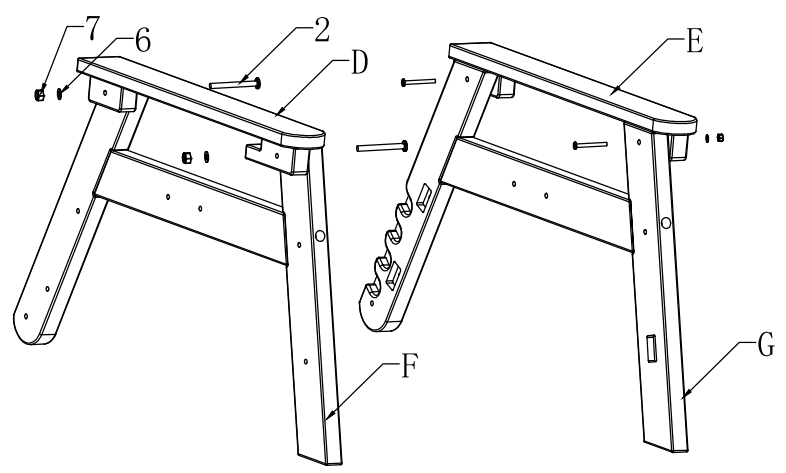
USA & Canada:  
1-833-807-3550

A		2
B		2
C		8
D		2
E		2
F		2
G		2
H		2
I		2
J		4
K		2
L		2




1	 <p>M6X60</p>	20
2	 <p>M6X55</p>	12
3	 <p>M6X50</p>	4
4	 <p>st6*60</p>	16
5	 <p>M6X30</p>	2
6	 <p>D6</p>	36
7	 <p>M6</p>	36
8		1
9	 <p>S4</p>	1

- (D) 1X 
- (E) 1X 
- (F) 1X 
- (G) 1X 
- (2) 4X M6X55 
- (6) 4X D6 
- (7) 4X M6 
- (8) 1X 
- (9) 1X S4 

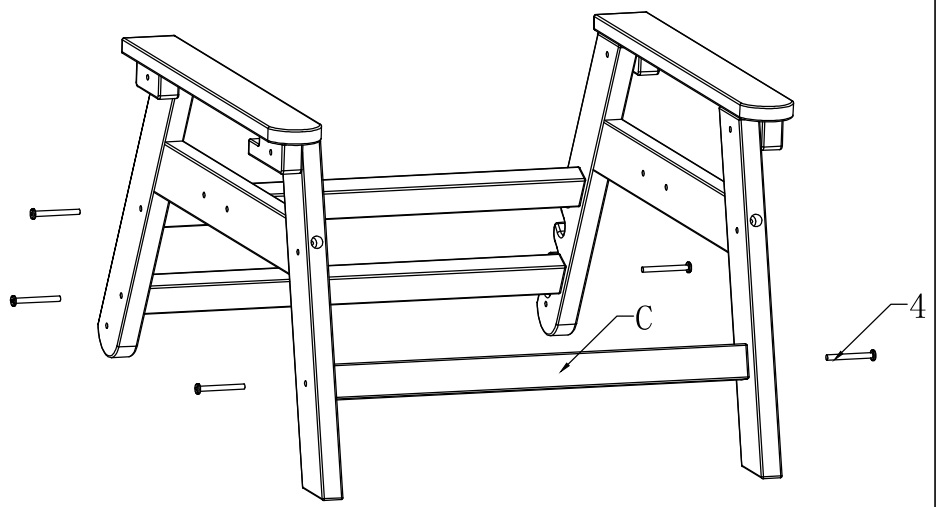
### Step1



Attach Armrest #D & #E to Leg #F & #G with 4 Bolts#2, Washers#6 and Nuts#7.

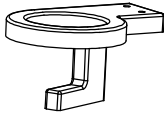
- (C) 3X 
- (4) 6X st6\*60 
- (9) 1X S4 

### Step2



Connect the 2 installed parts with 3 Braces #C, and secure them with 6 Screws#4.

(K) 1X

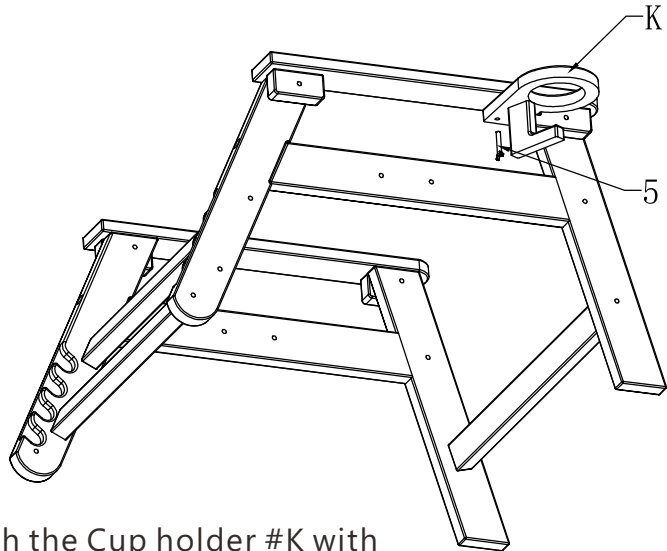


(5) 1X



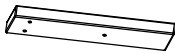
M6X30

### Step3



Attach the Cup holder #K with Bolt #5.

(A) 1X



(B) 1X



(C) 1X

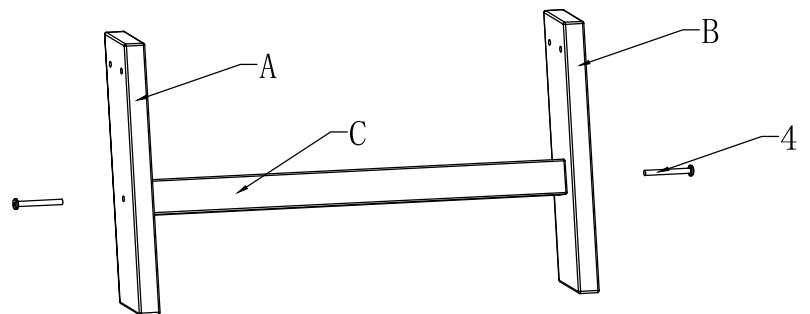


(4) 2X



st6\*60

### Step4

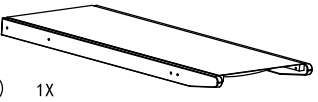
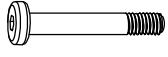

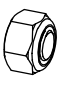
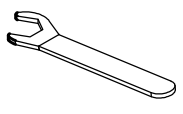



Attach Brace #C to Leg #A & #B with 2 Screws #4.

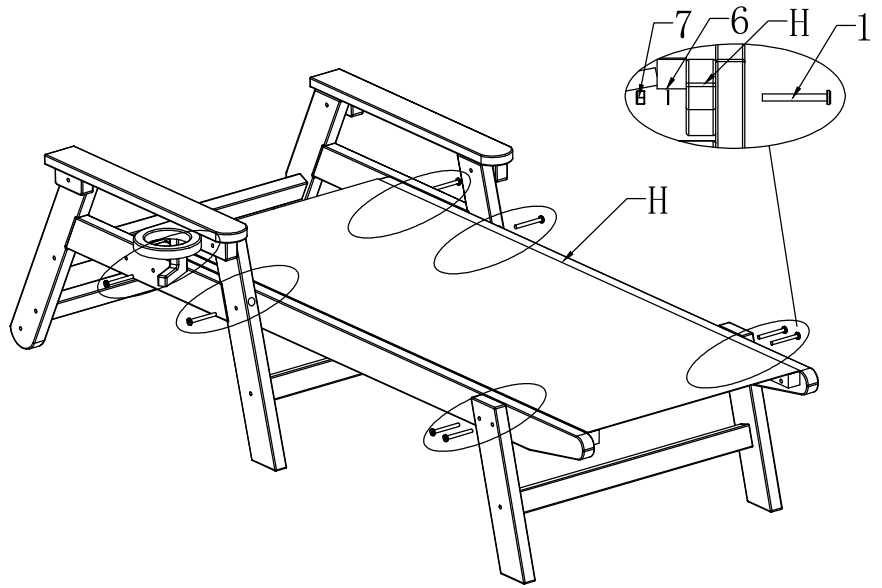
(9) 1X



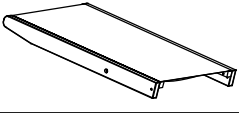
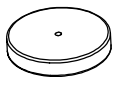
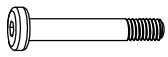

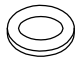
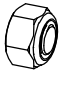
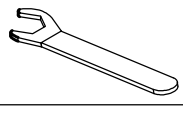
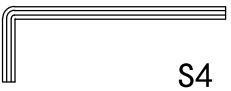
S4

	H	1X
	1	8X M6X60
	6	8X D6
	7	8X M6
	8	1X
	9	1X S4

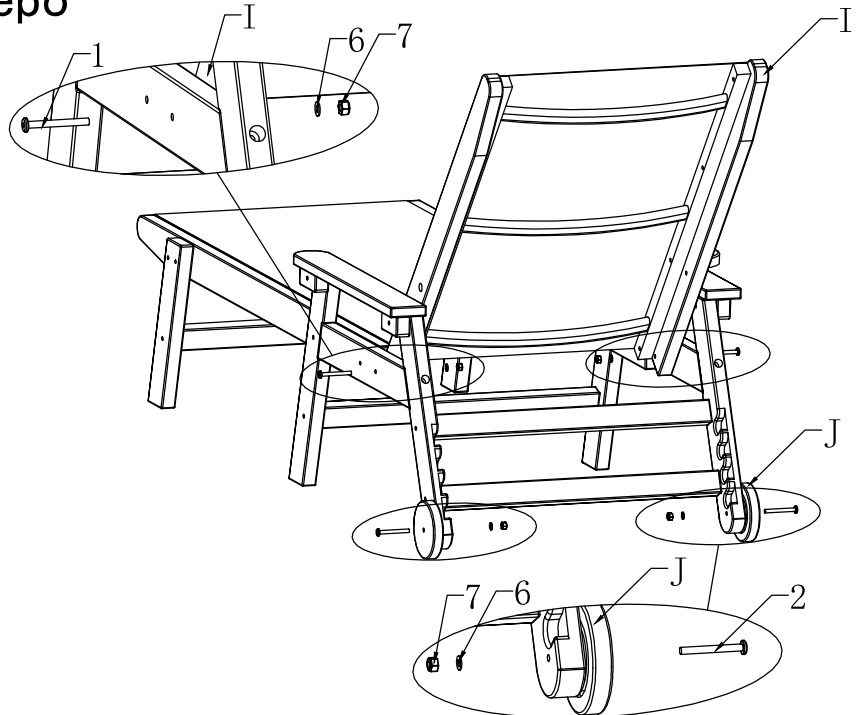
## Step5



Attach the Seat Part#H to assembled related structure with 8 Bolts#1, Washers#6 and Nuts#7.

	I	1X
	J	2X
	1	2X M6X60
	2	2X M6X55
	6	4X D6
	7	4X M6
	8	1X
	9	1X S4

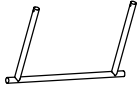
## Step6



(1) Attach Backrest #I with 2 Bolts#1, Washers#6 and Nuts#7.

(2) Attach the Wheels#J to the bottom of the chair with 2 Bolts#2, Washers#6 and Nuts#7.

Ⓛ 1X



③ 2X



M6X50

⑥ 2X



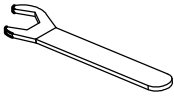
D6

⑦ 2X

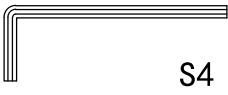


M6

⑧ 1X



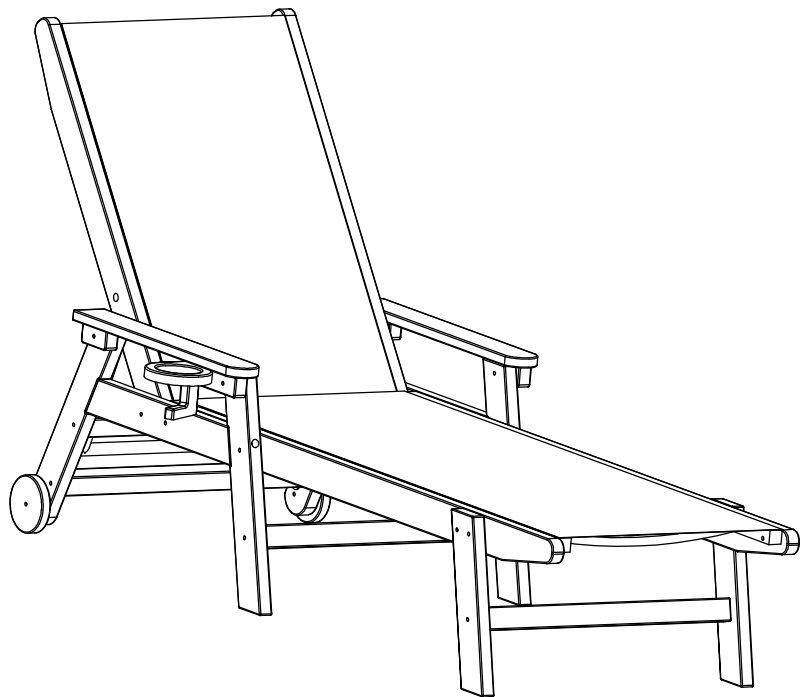
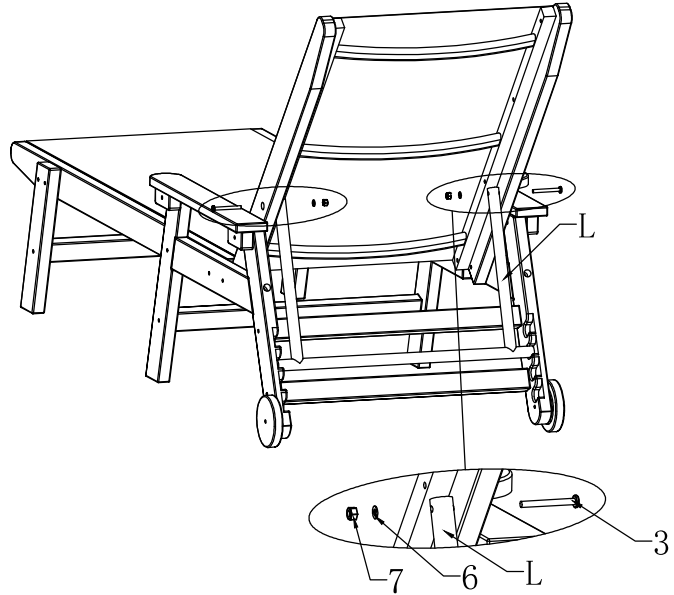
⑨ 1X



S4

## Step7

Attach Support Part#L with 2 Bolts#3,  
Washers#6 and Nuts#7.





## Thanks for your purchase.

At domi outdoor living, we believe in our products.

That's why we provide a 12-month warranty and friendly, easy-to-reach after-sales service. So, if you have any questions about our product or assembly, please feel free to contact us. We are here for you.

**Support:**  

**After-sales contact email:**

[service@domioutdoorliving.com](mailto:service@domioutdoorliving.com)

**Business cooperation contact email:**

[marketing@domioutdoorliving.com](mailto:marketing@domioutdoorliving.com)

Please have your order ID available if you reach out for support.

If you have damaged parts or product, please send us photos for an immediate response.