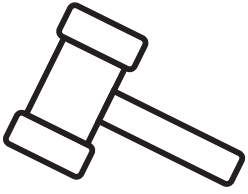


USER MANUAL

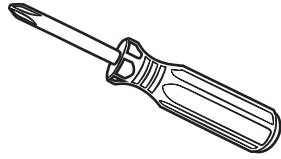


CABINET

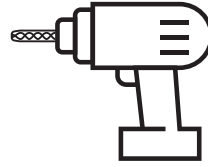
TOOLS REQUIRED



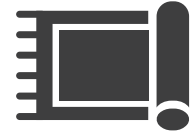
Phillips screwdriver
(Not included)



Hammer
(Not included)



Drill
(Not included)



Protective blanket
(Not included)



ATTENTION

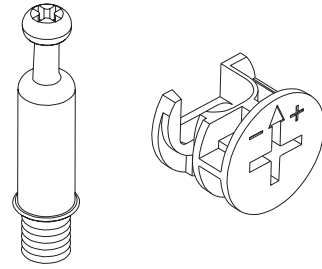
Keep children and pets away while assembling.



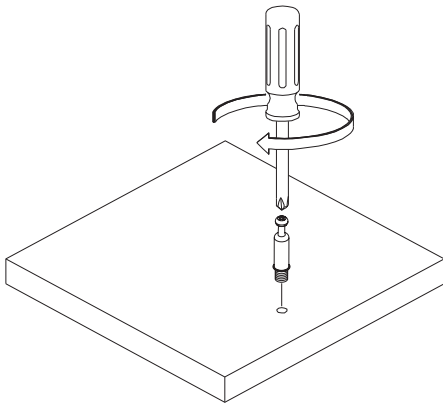
HOW TO USE CAM LOCKS

CAM LOCK FASTENING SYSTEM

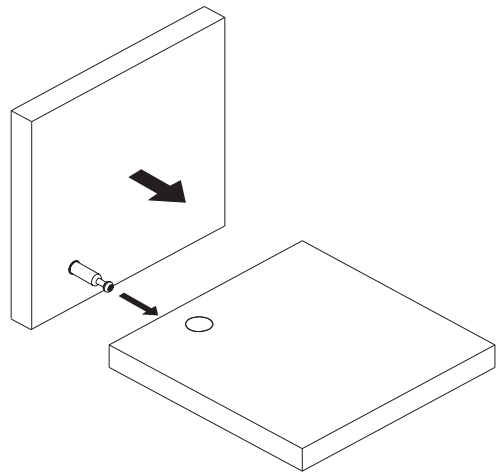
This Cam Lock Fastening System will be used throughout the assembly process.



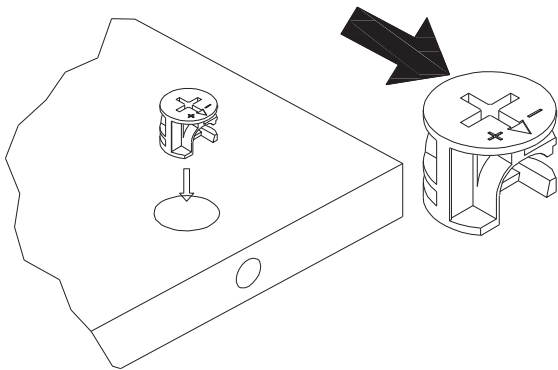
1



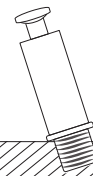
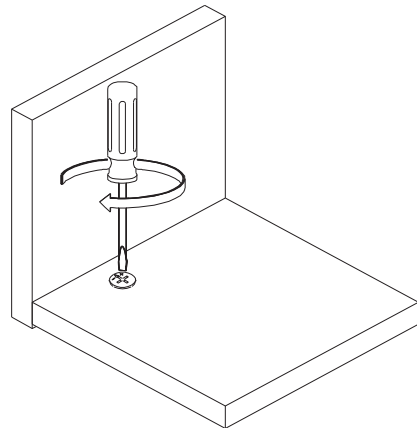
2



3



4



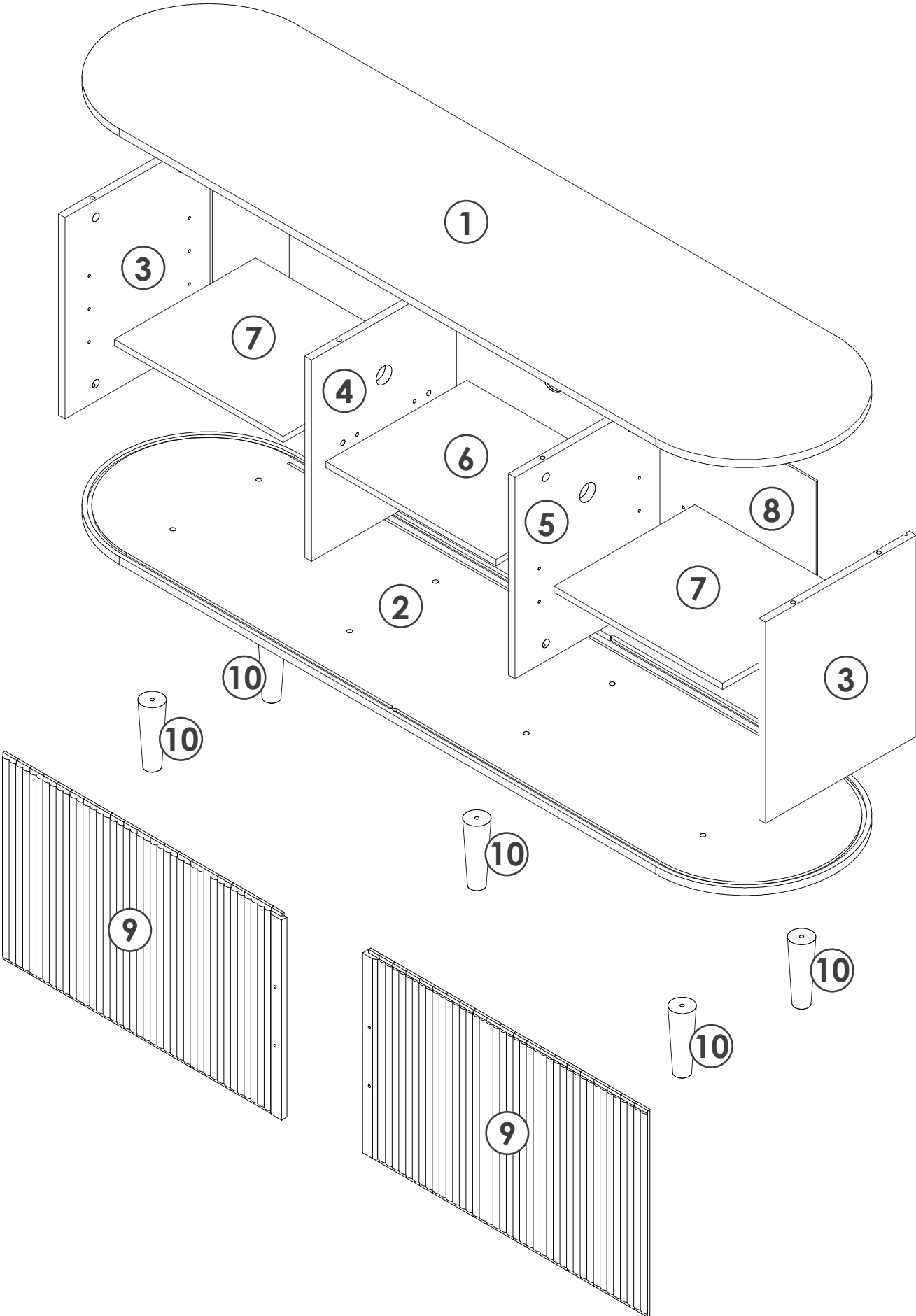
INTRODUCTION

Thank you very much for choosing our Wardrobe. Please read the instruction carefully before assembly and keep it for future reference. If you need further assistance on assembly, please contact our customer service through email.

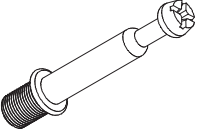

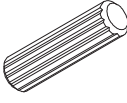
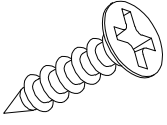
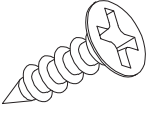
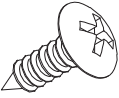
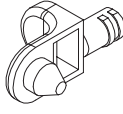
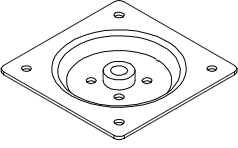
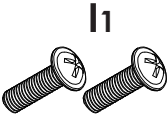
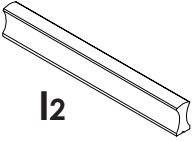
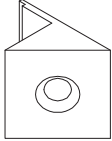
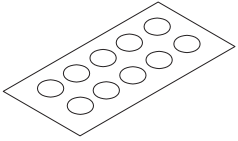
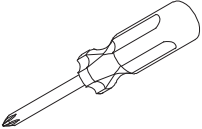
Tips:

1. When installing the product, use a soft underlay (such as carpet or cardboard) to avoid scratching or damaging the surface of the product.
2. Don't tighten screws completely at first, just in case parts were assembled wrong and need disassemble. Tighten screws at last when all parts are put together.
3. The structure of this product can not meet the requirements of the placement of heavy items and children climbing.

PLATE NUMBER

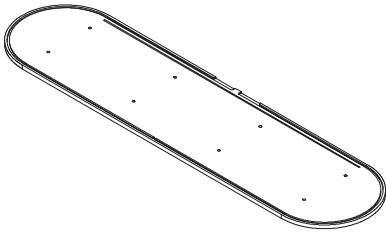


HARDWARES LIST

<p>A x20(+2)</p>  <p>M6*40mm</p>	<p>B x20(+1)</p>  <p>Ø15*9.5mm</p>	<p>C x4(+1)</p>  <p>M6*30mm</p>	<p>D x14(+1)</p>  <p>M3*16mm</p>
<p>E x20(+1)</p>  <p>M3.5*14mm</p>	<p>F x20(+1)</p>  <p>M3.5*14mm</p>	<p>G x8</p> 	<p>H x5</p> 
<p>I x2</p>  <p>M4*16mm</p> 		<p>J x12</p> 	<p>K x16</p> 
<p>L x1</p> 			

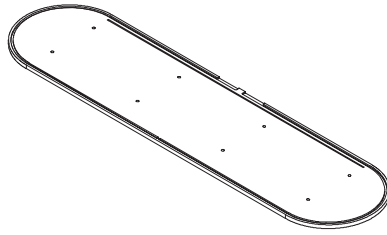
PARTS LIST

① 1600*400*15mm



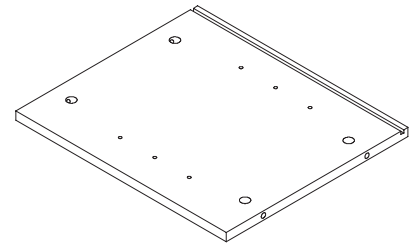
x1 pc

② 1600*400*15mm



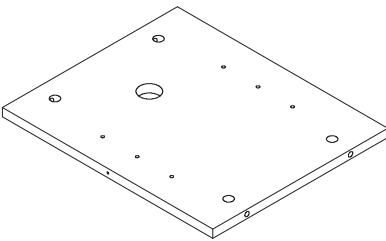
x1 pc

③ 390*337*15mm



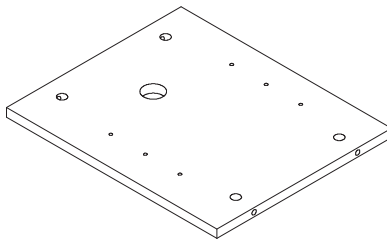
x2 pcs

④ 390*324*15mm



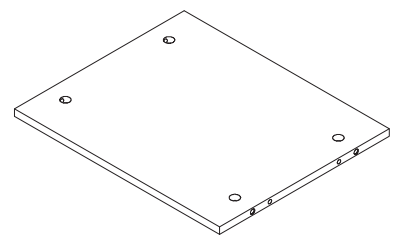
x1 pc

⑤ 390*324*15mm



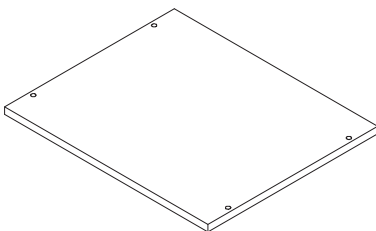
x1 pc

⑥ 380*315*12mm



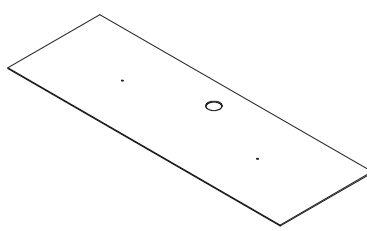
x1 pc

⑦ 377*315*12mm



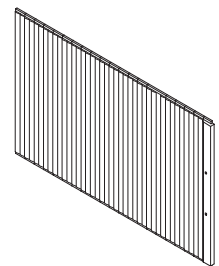
x2 pcs

⑧ 1178*398*4mm



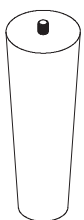
x1 pc

⑨ 1200*400*12mm



x2 pcs

⑩ 614*374*15mm



x5 pcs

INSTALLATION INSTRUCTION

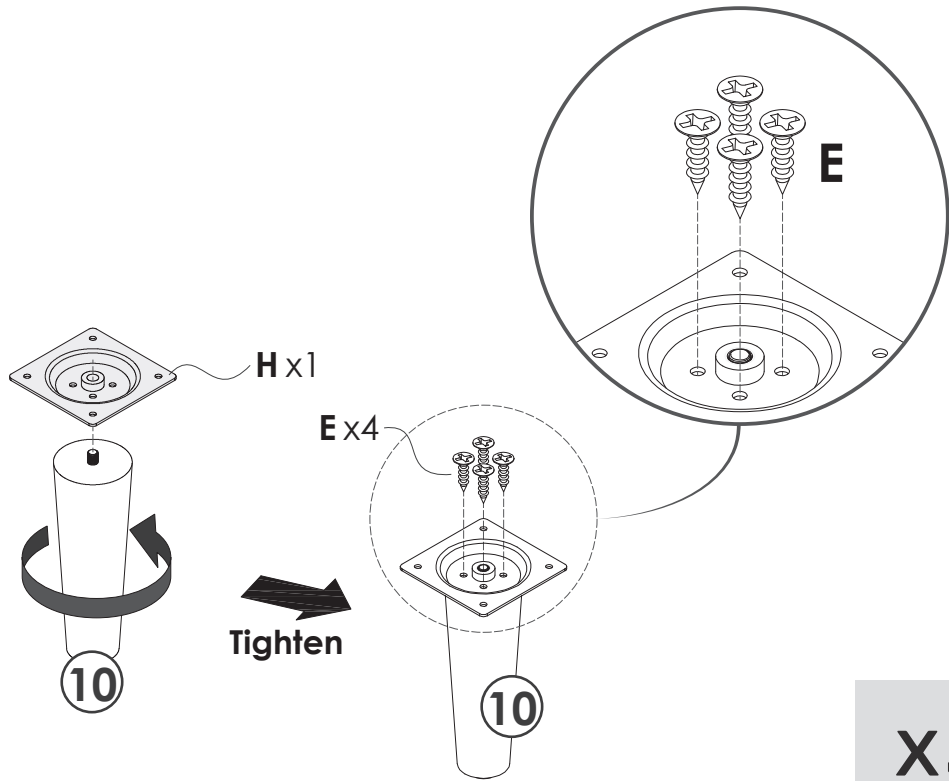
01

E x20pcs



M3.5*14mm

H x5pcs

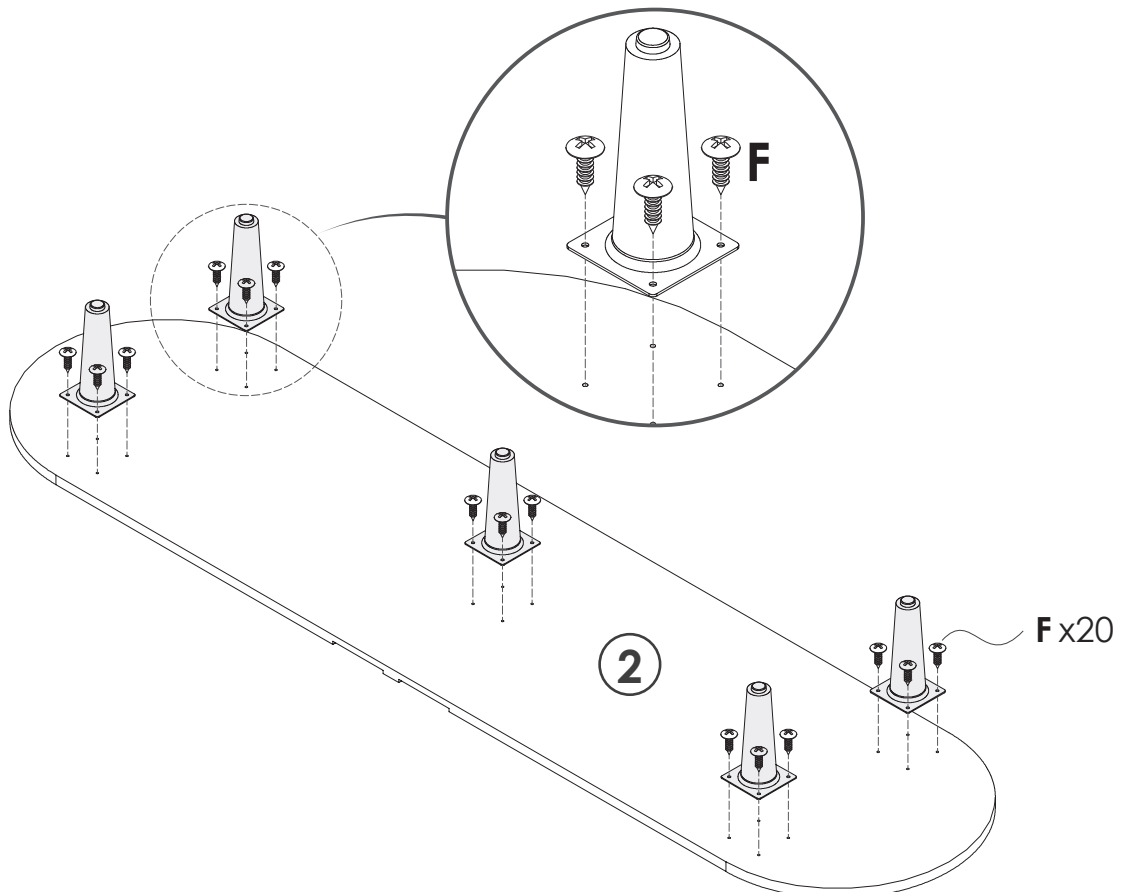


02

F x20pcs

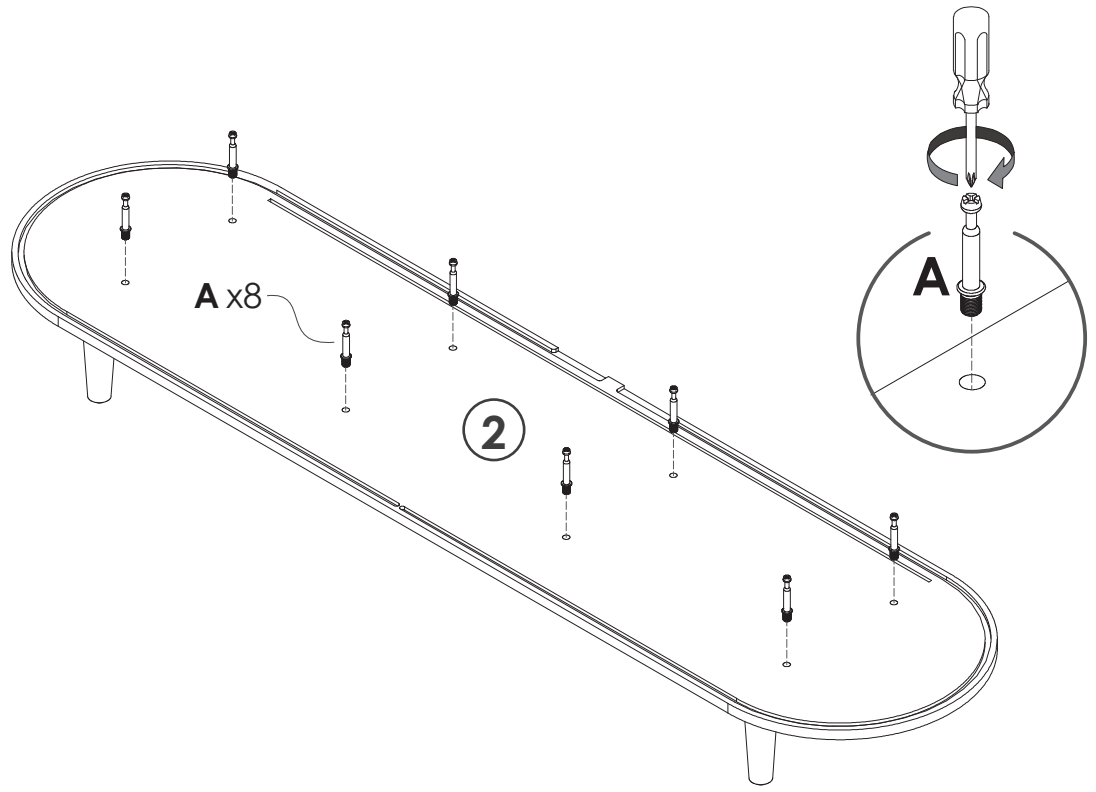


M3.5*14mm



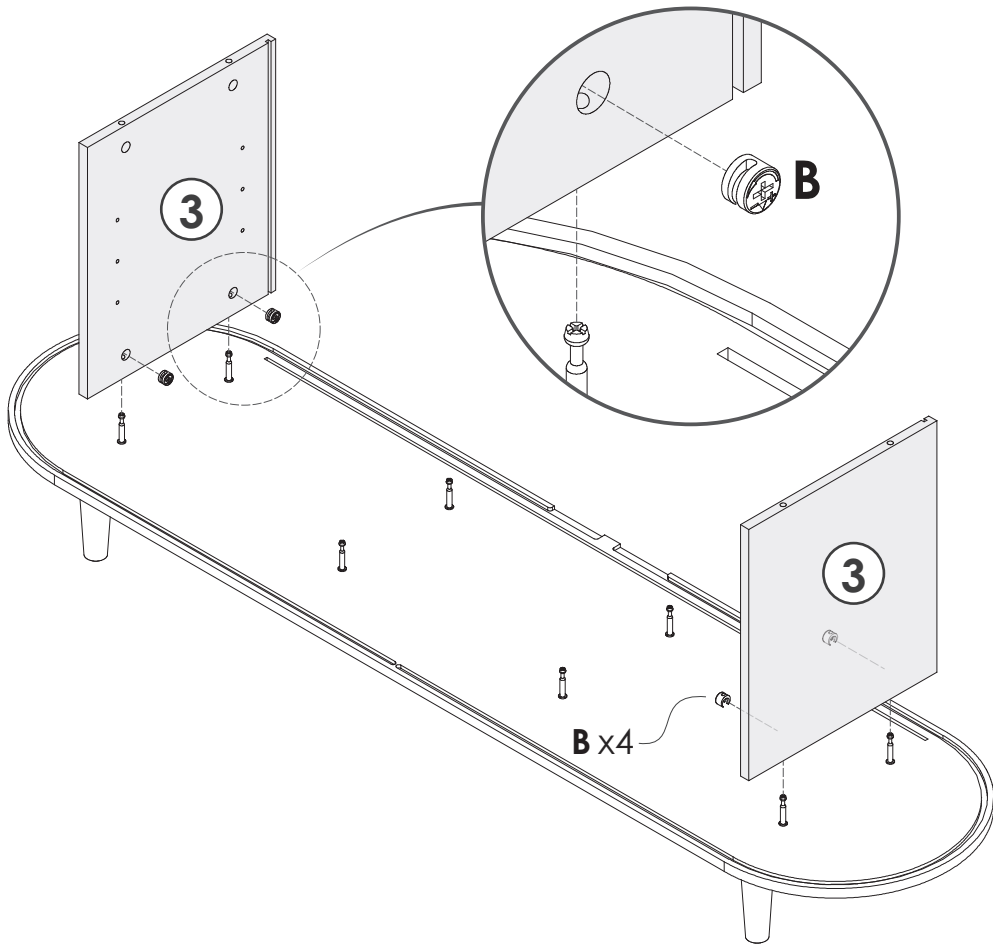
03

A x8pcs
M6*40mm

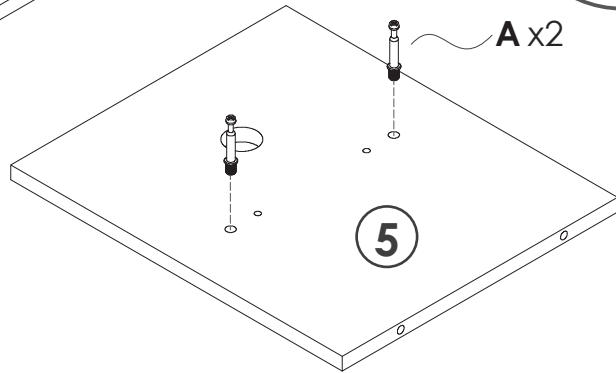
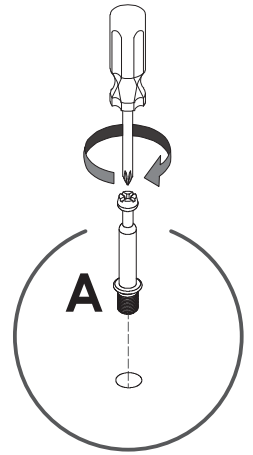
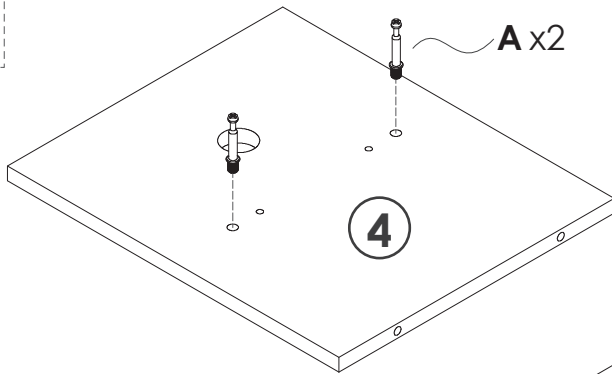
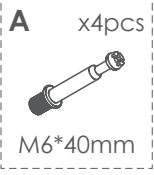


04

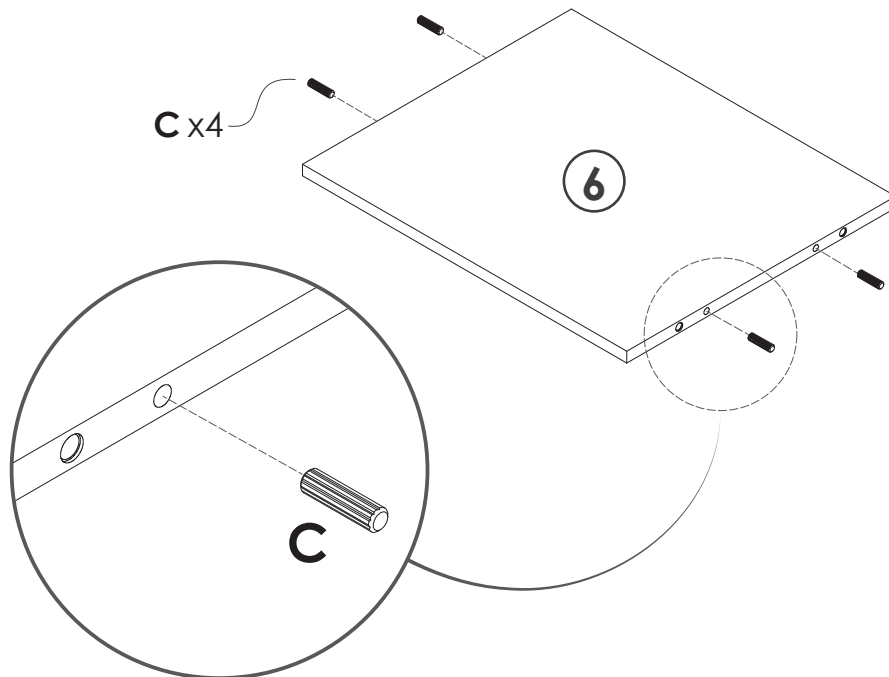
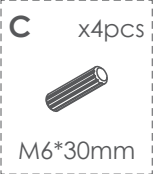
B x4pcs
Ø15*9.5mm



05



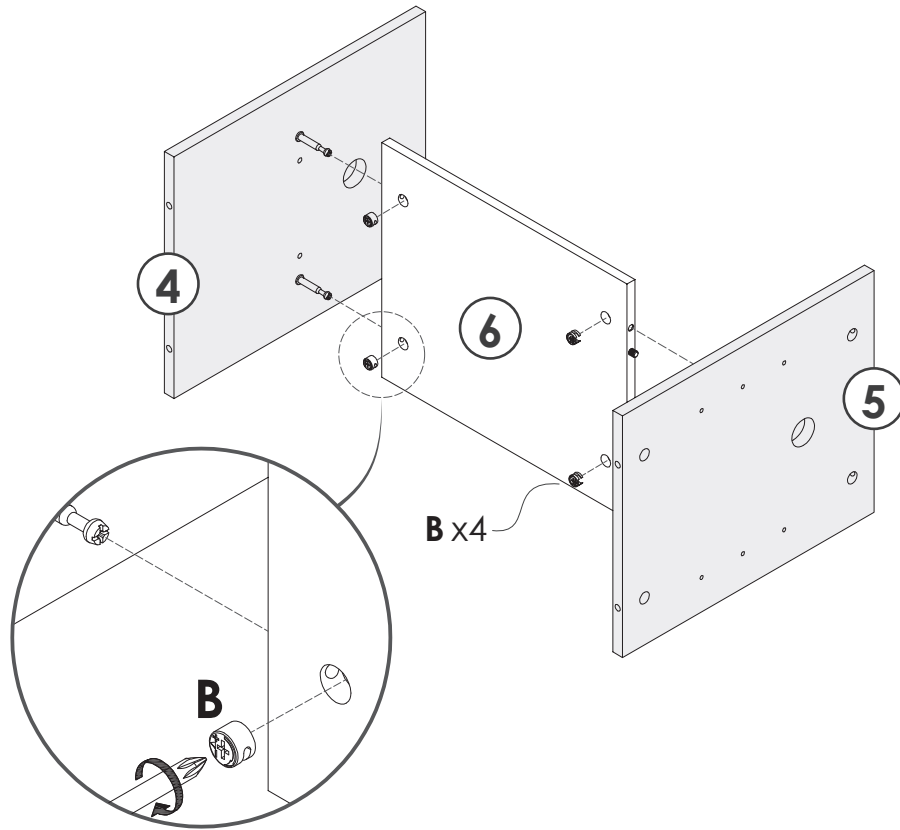
06



07

B x4pcs

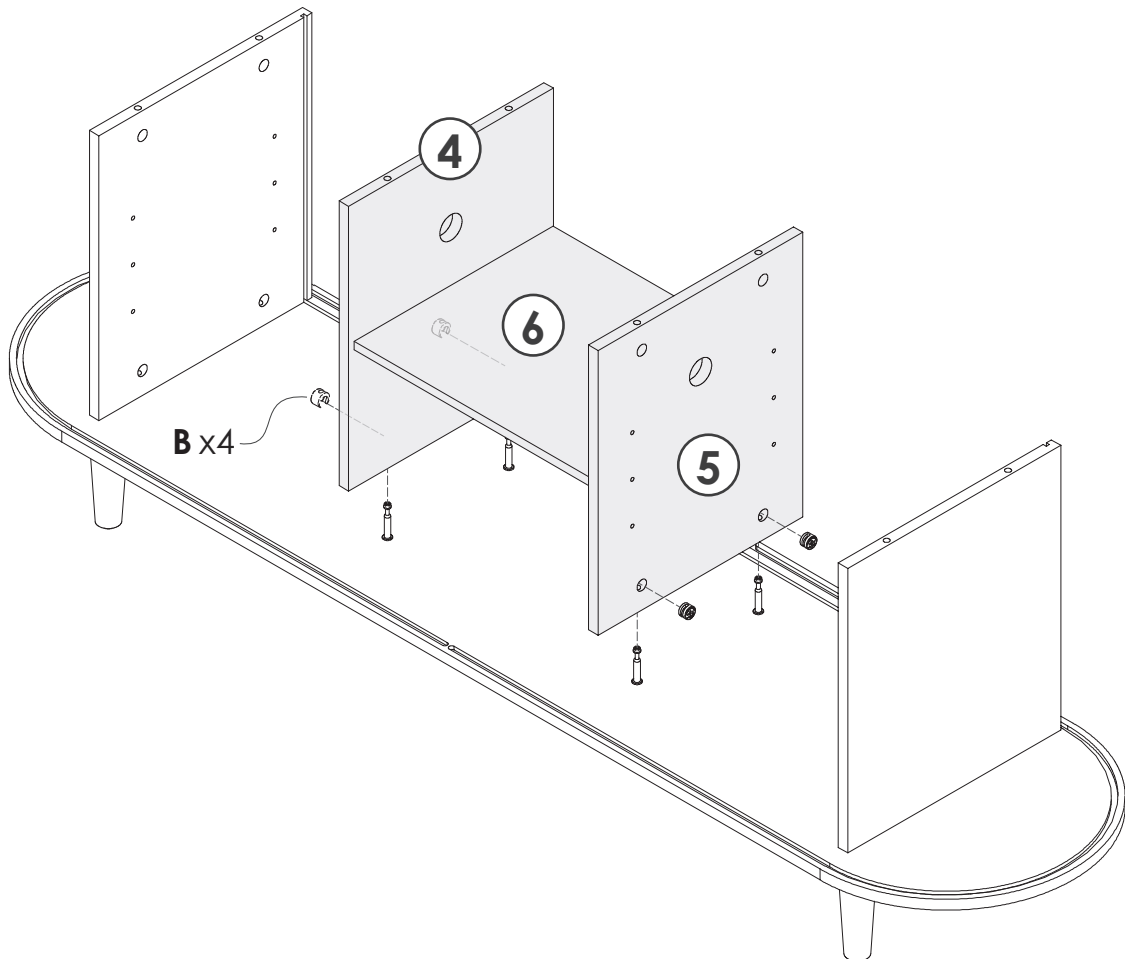
Ø15*9.5mm



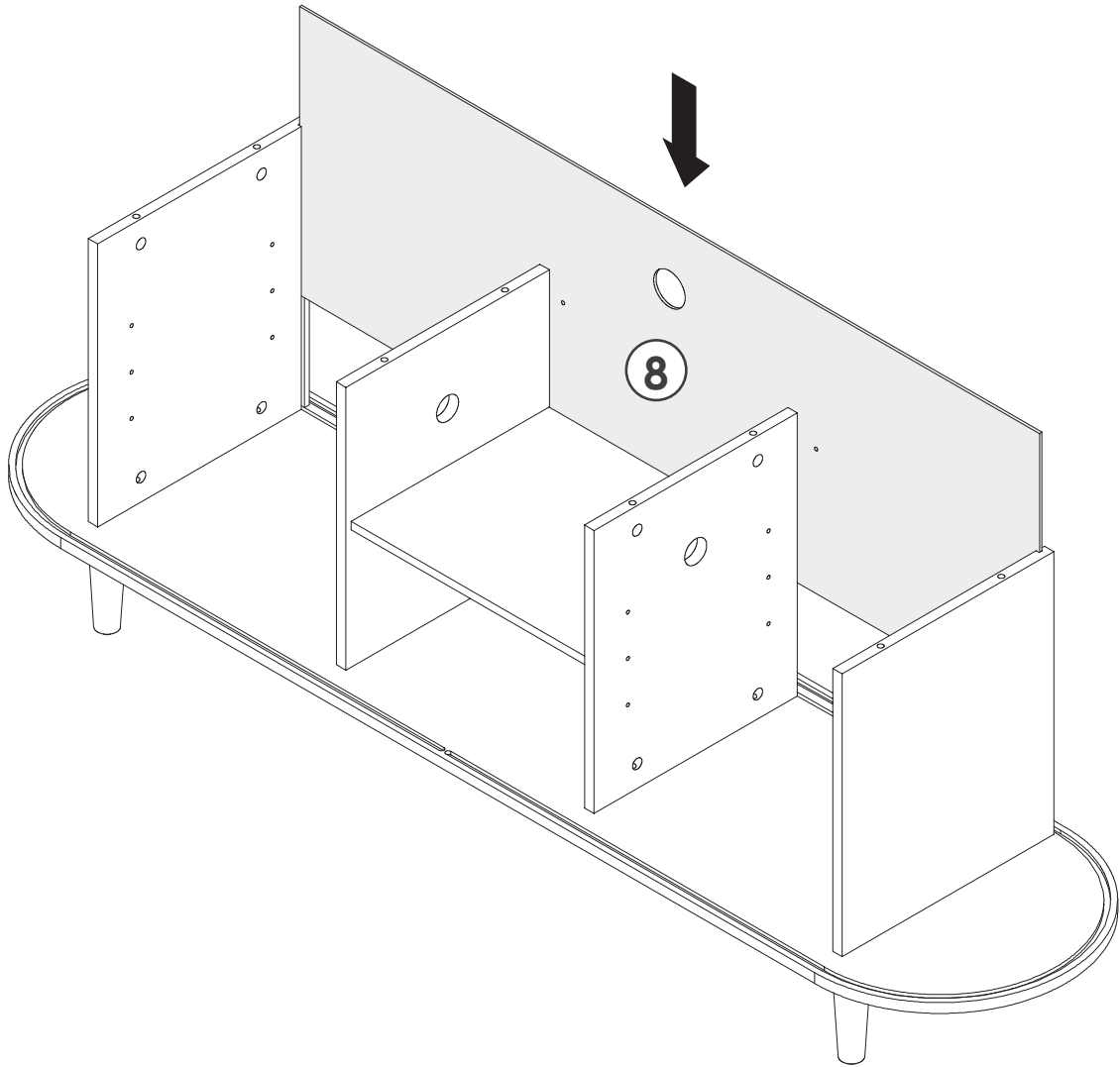
08

B x4pcs

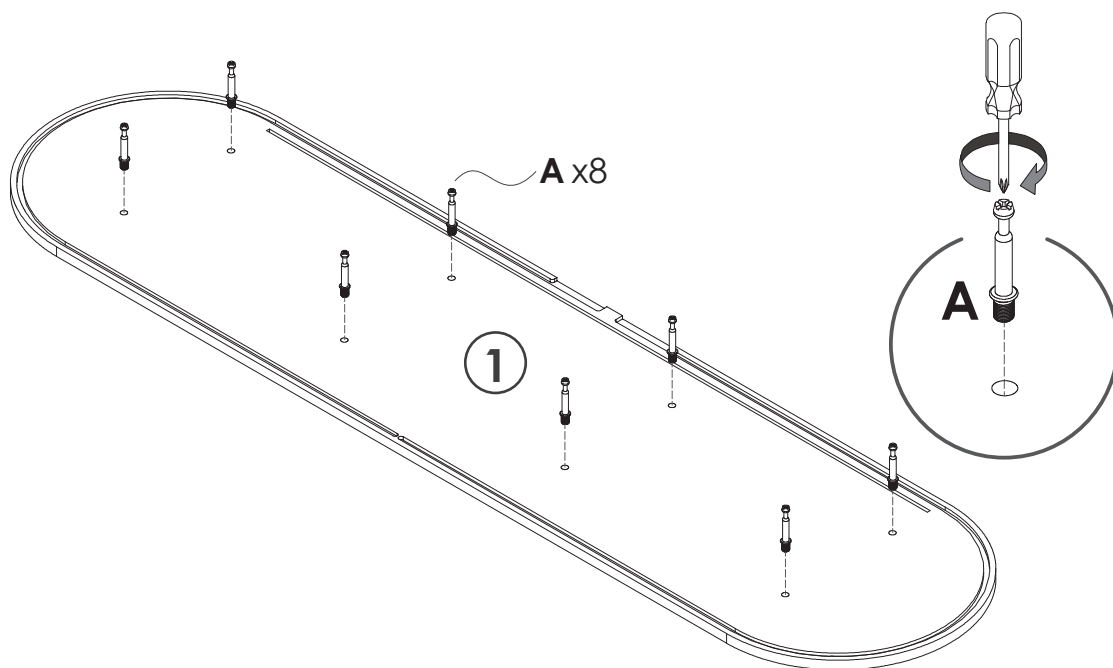
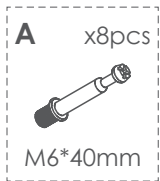
Ø15*9.5mm



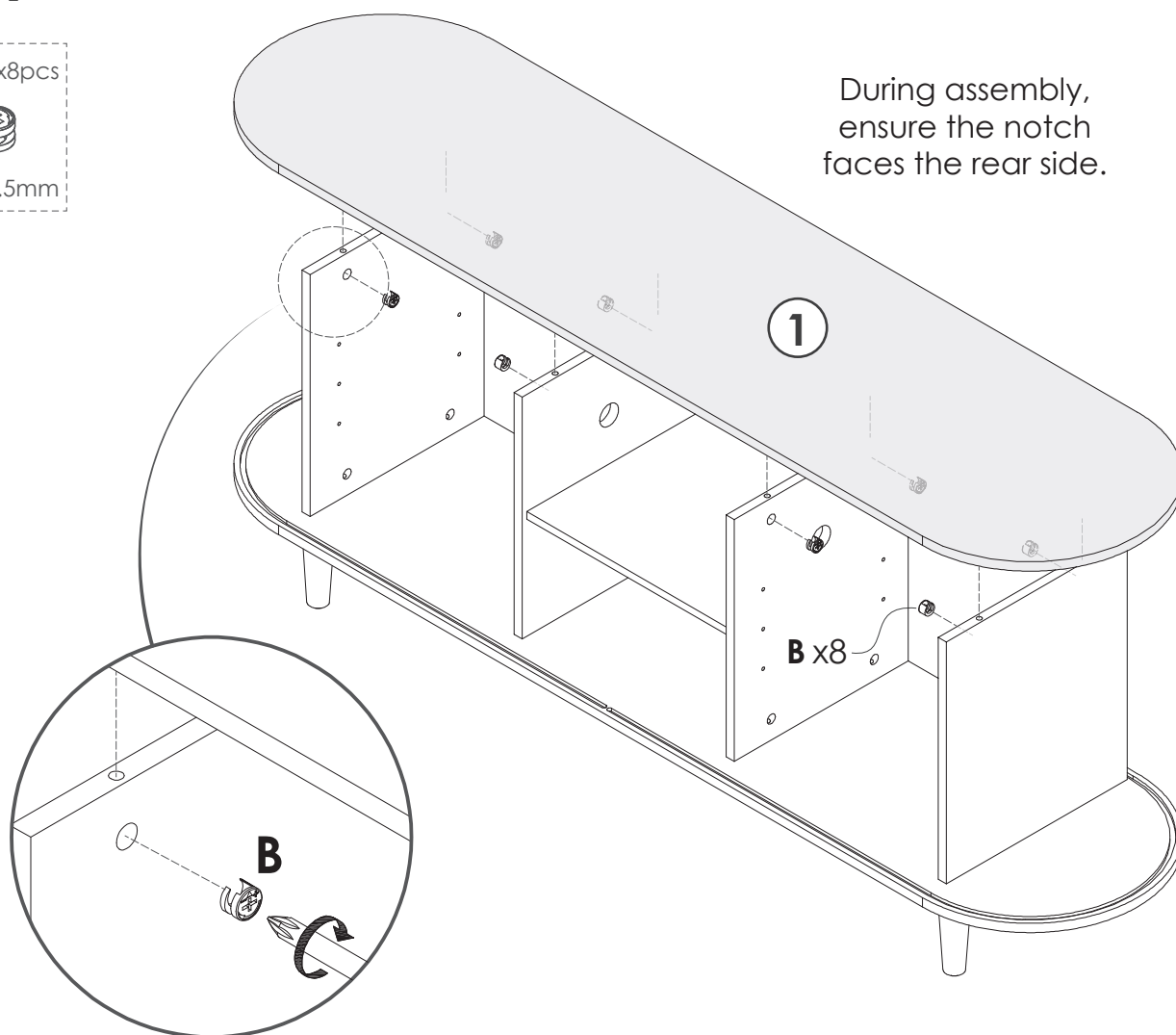
09



10

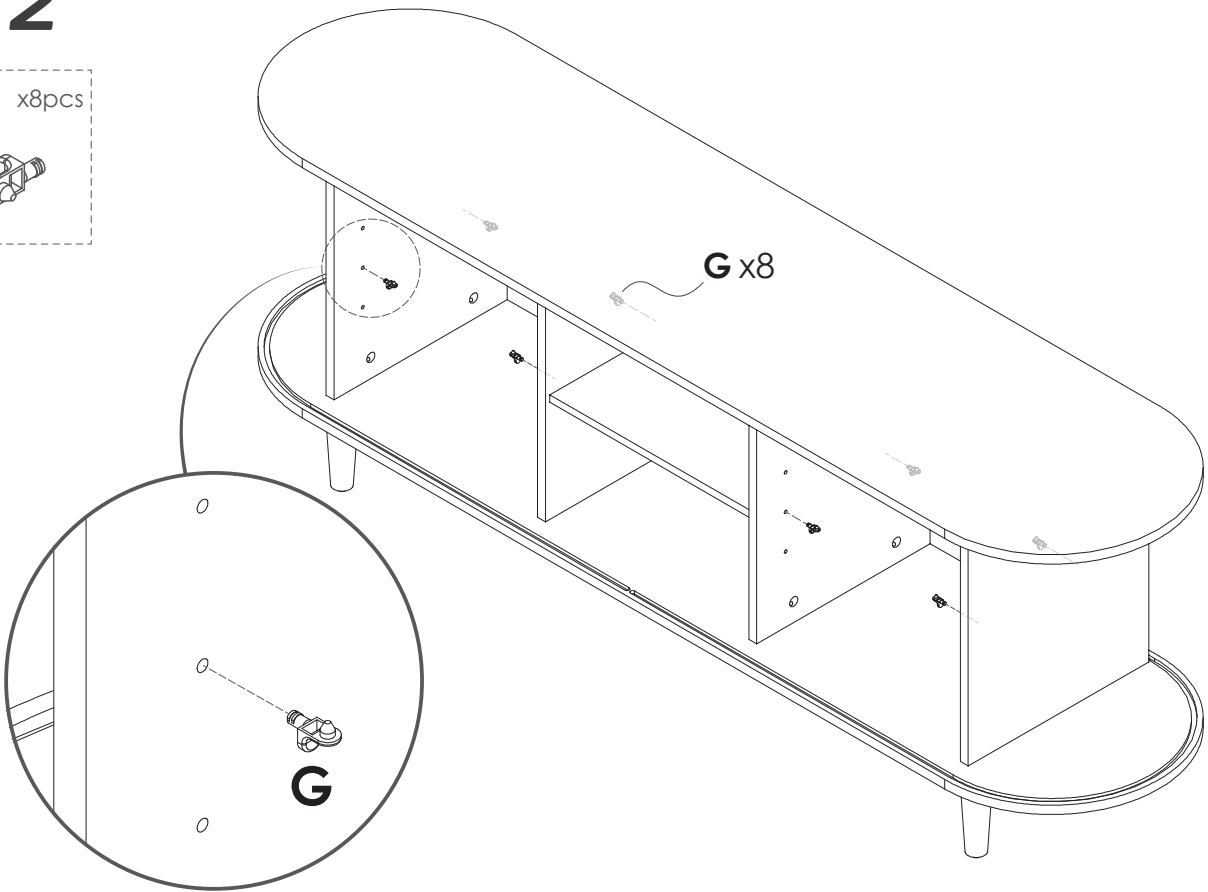


11

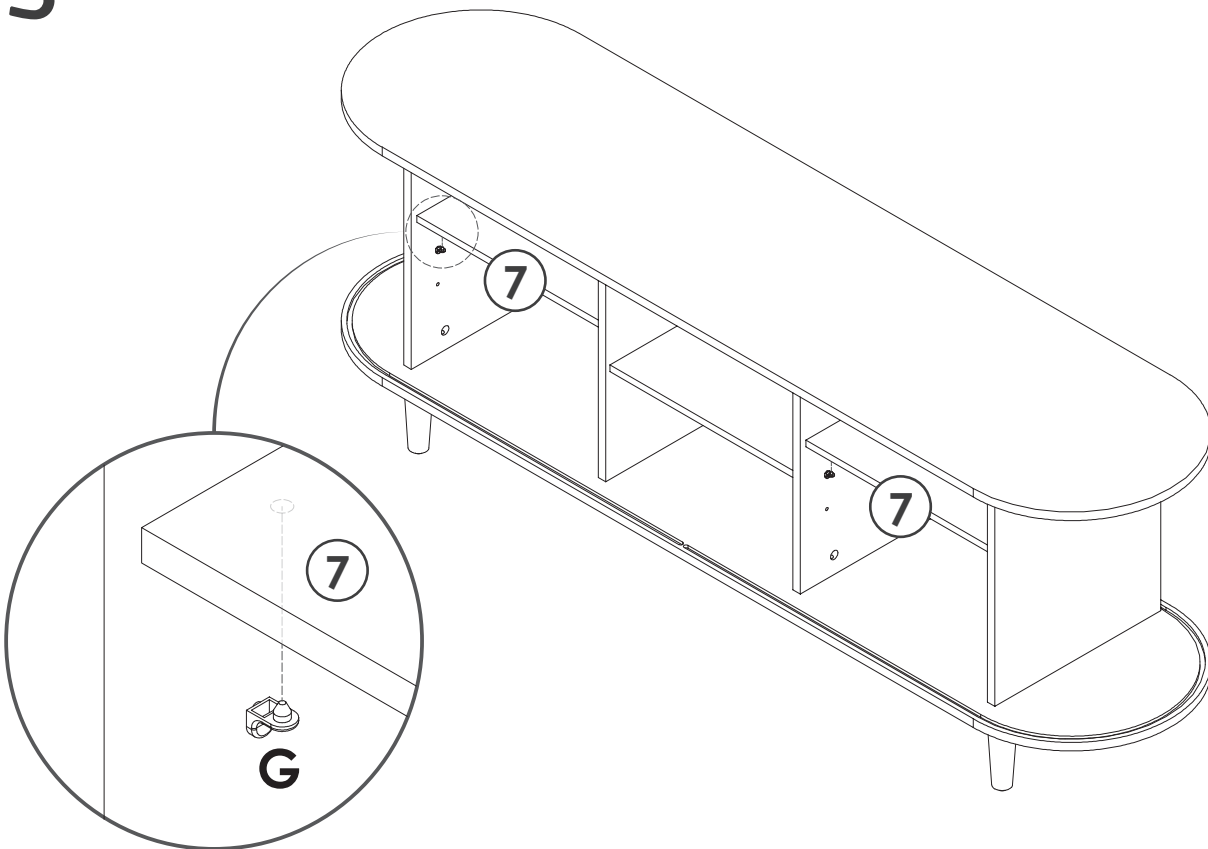


12

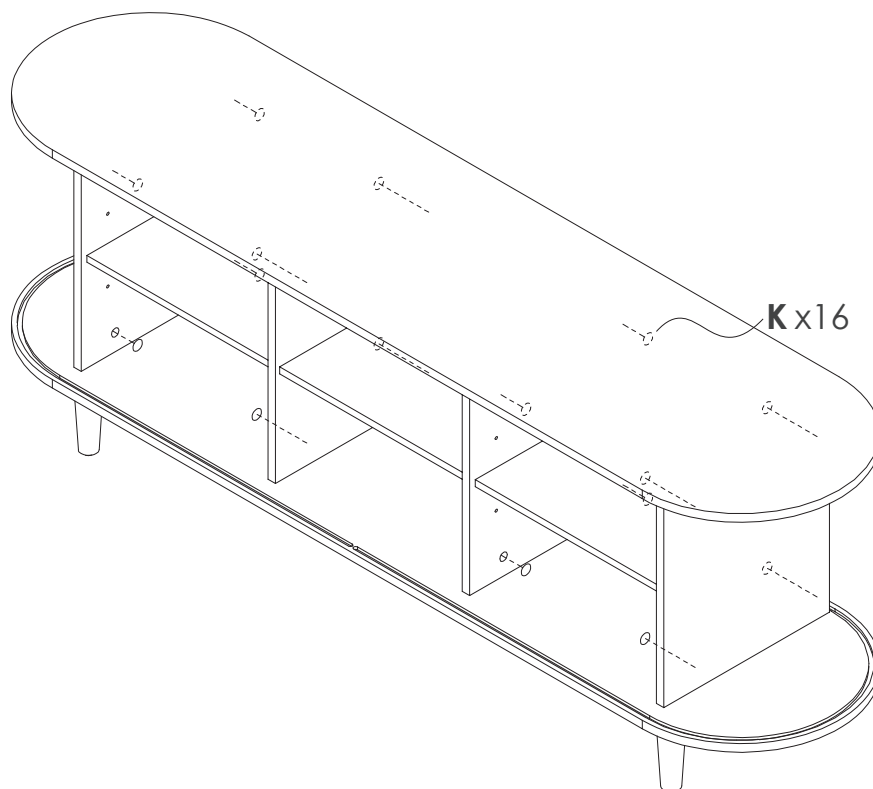
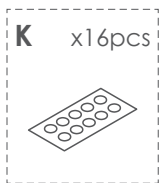
G x8pcs



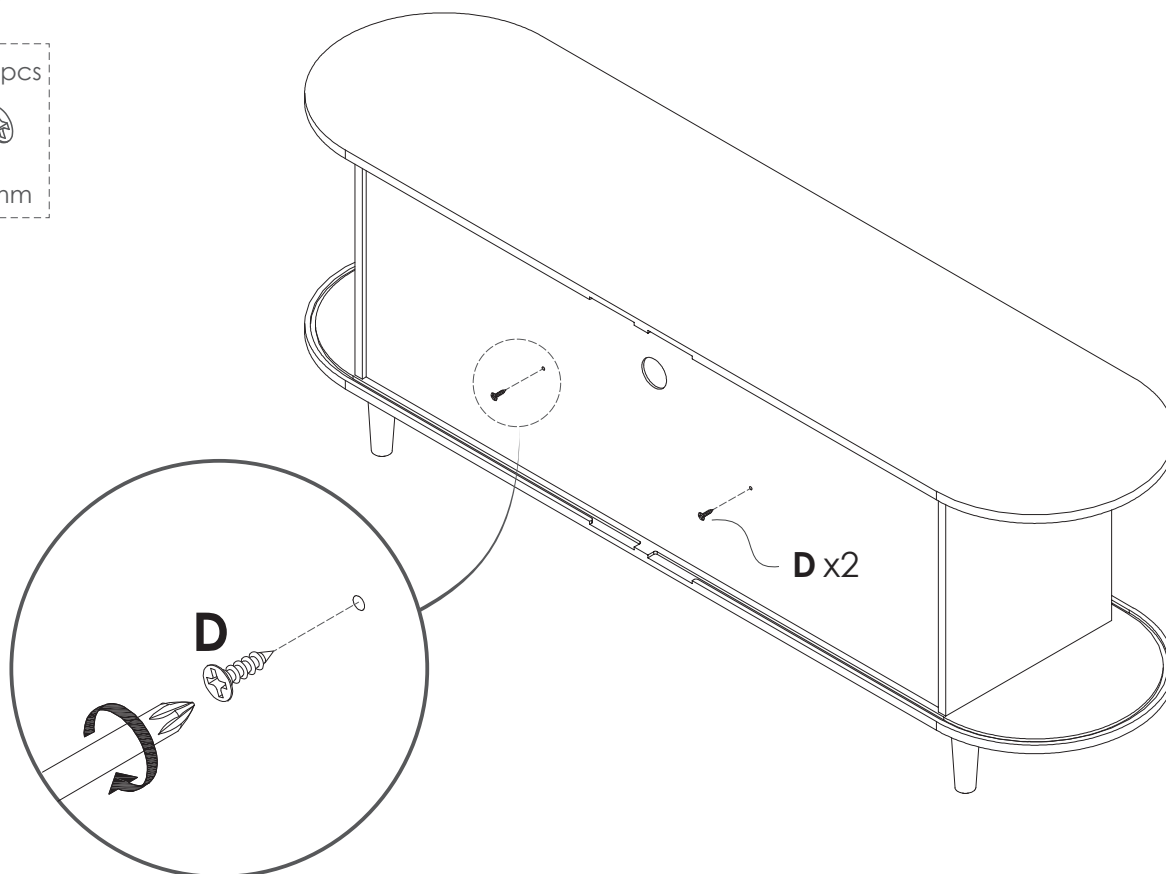
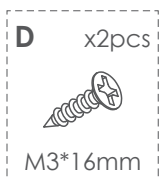
13



14



15



16

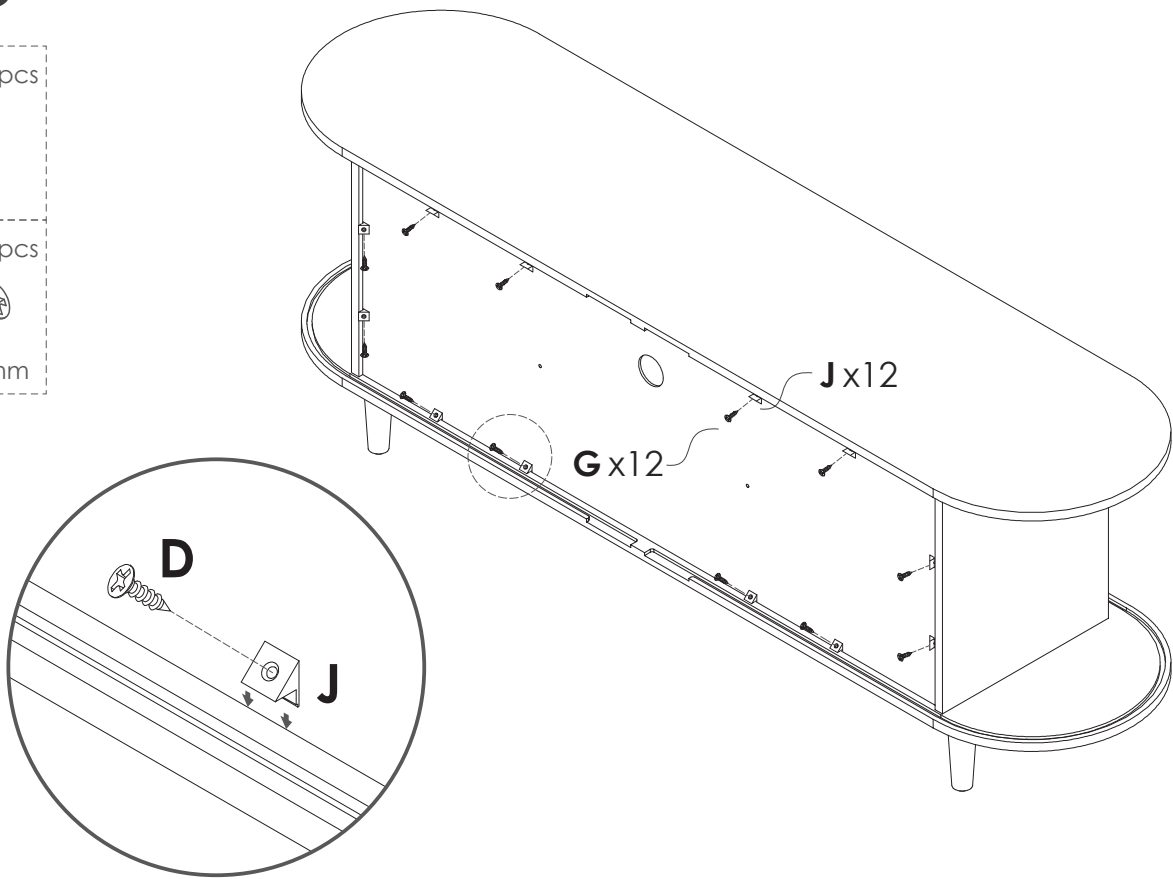
J x12pcs



D x12pcs



M3*16mm

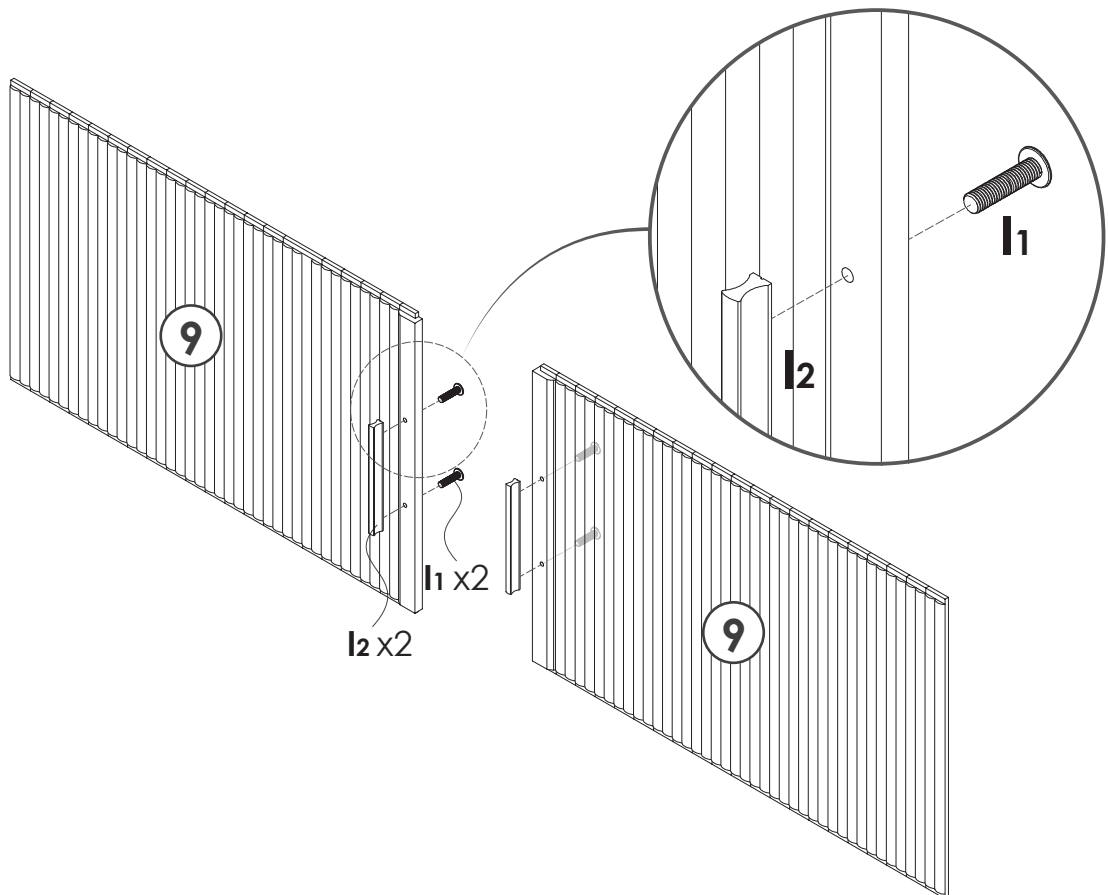


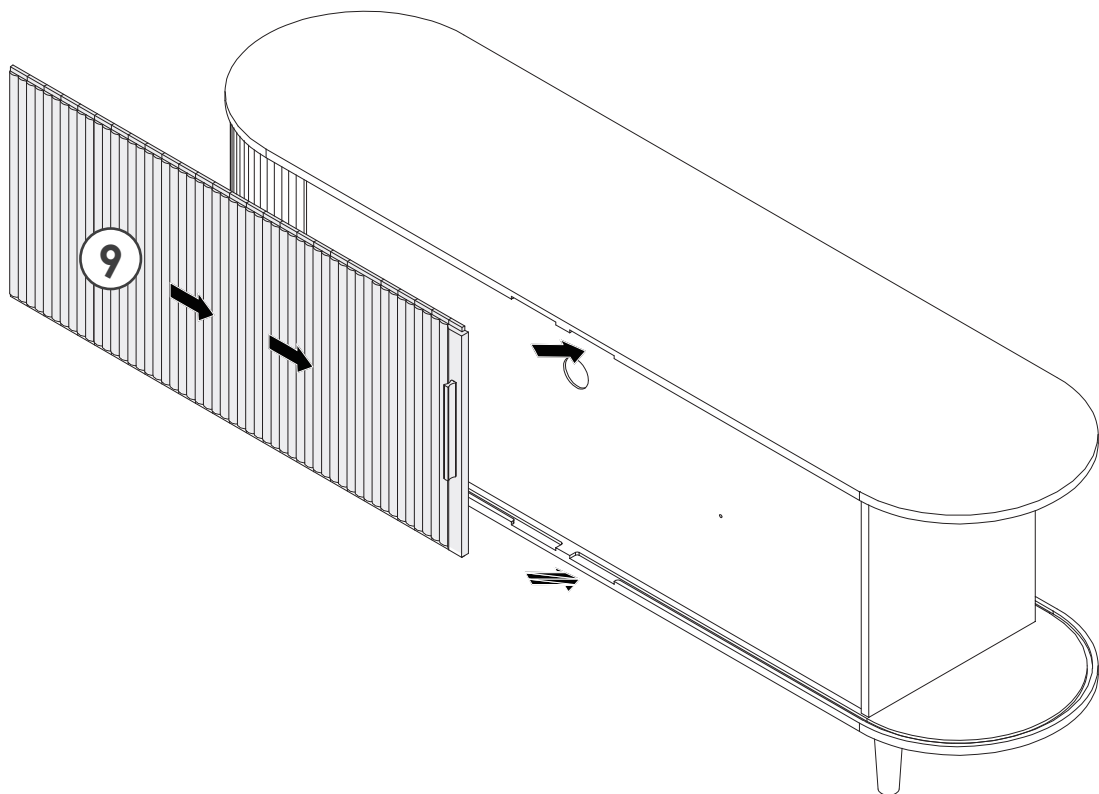
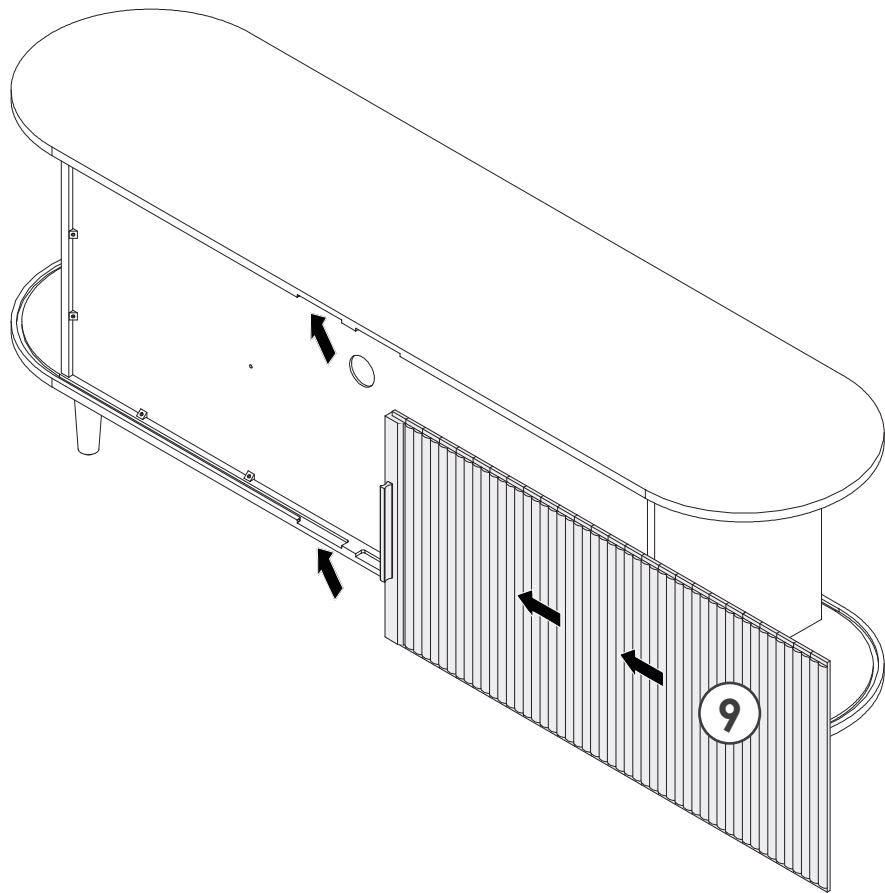
17

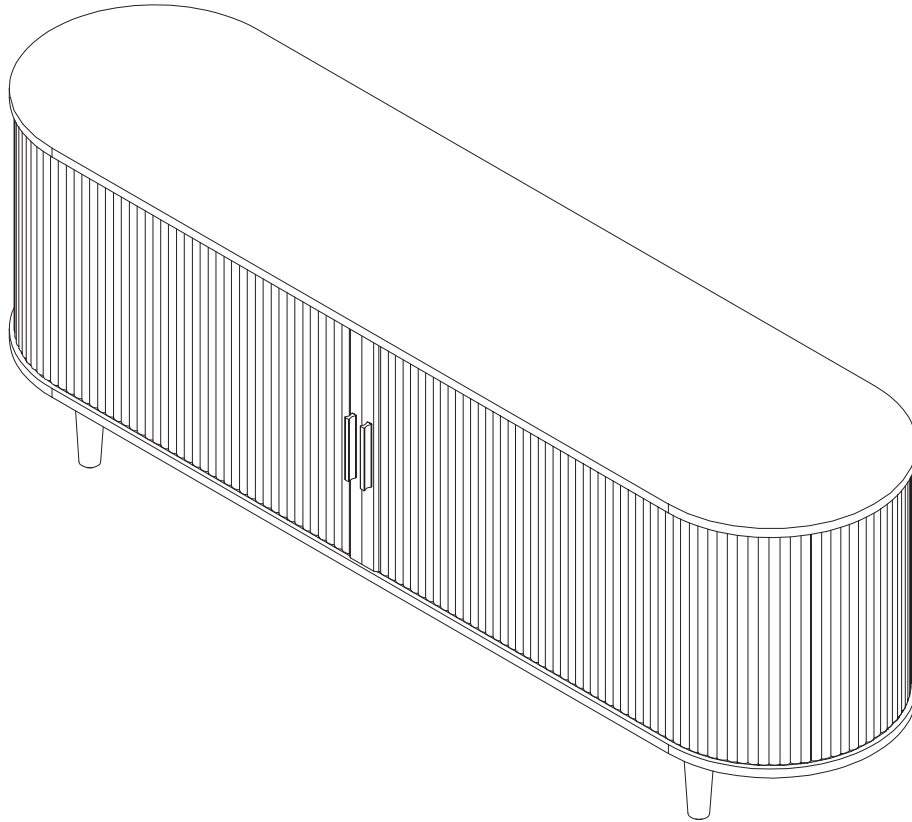
I x2pcs



M4*16mm







WARRANTY

We provide an **18-month** warranty on the product starting from the date of the original purchase. If the product has any manufacturing defect, please contact us through email with details about the problem. We will send you further information about the return or exchange.