

Instruction Manual

Please save this manual for future reference.

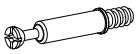





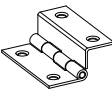

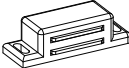








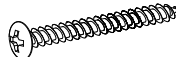



Product Name:	White MDF Wood Slim Bathroom Storage Cabinet and End Table
SKU #:	

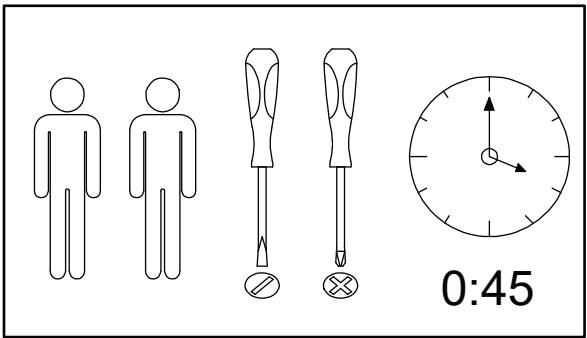
Thank you for purchasing this product. This product has been manufactured with the highest standards of safety and quality.

PLEASE READ ALL INSTRUCTIONS BEFORE ASSEMBLY.

Unpack all parts from Styrofoam and bubble wrap inside the carton to ensure there are no missing or damaged parts. If any parts are missing or damaged, do not attempt to assemble or use the product.

Hardware:

①×14	②×14	③×10	④×1	⑤×1	⑥×16
				 M4*18	 M3*12
⑦×2	⑧×9	⑨×1	⑩×1	⑪×1	⑫×4
	 M4*35		 M4*12		
⑬×10	⑭×8	⑮×2	⑯×1	⑰×4	⑱×8
 M3*14				 M4*10	 M4*50
⑲×1	⑳×1	㉑×4			
					



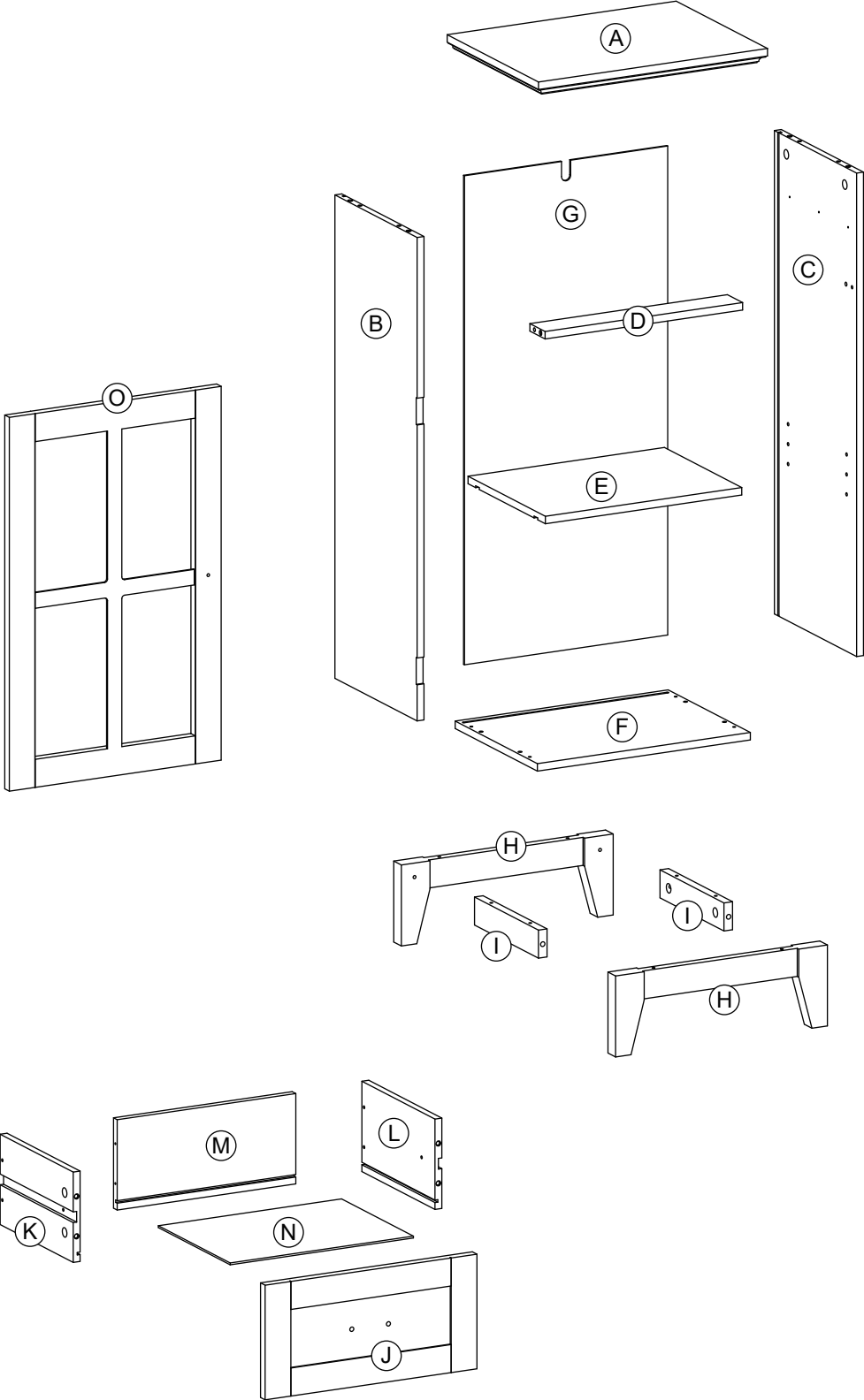
Tools required for assembly: Philips screwdriver and Flathead Screwdriver (if using power tools, use with care)

Instruction Manual

Please save this manual for future reference.

Product Name:	White MDF Wood Slim Bathroom Storage Cabinet and End Table
SKU #:	

Panels:

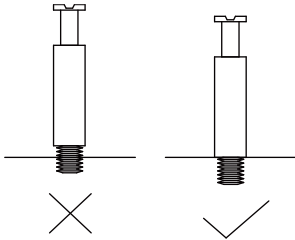


Instruction Manual

Please save this manual for future reference.

Product Name:	White MDF Wood Slim Bathroom Storage Cabinet and End Table
SKU #:	

Make sure the pins are installed correctly as shown with the “check mark” below:



Below shows how the pins are used to assemble the panels together.

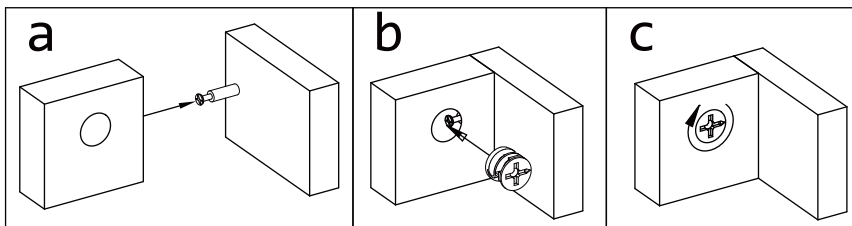
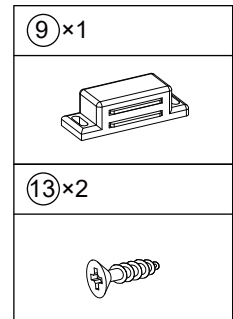
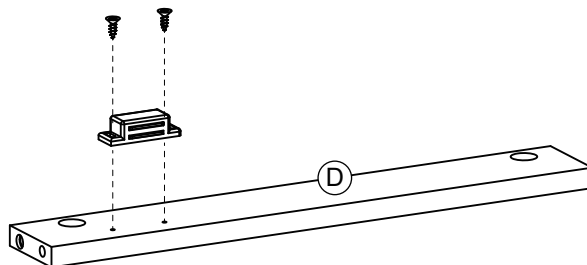
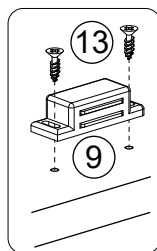


FIGURE A



Step 1

Fix Magnet catch (9) to Upper bar D with screws (13).



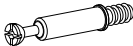


Instruction Manual

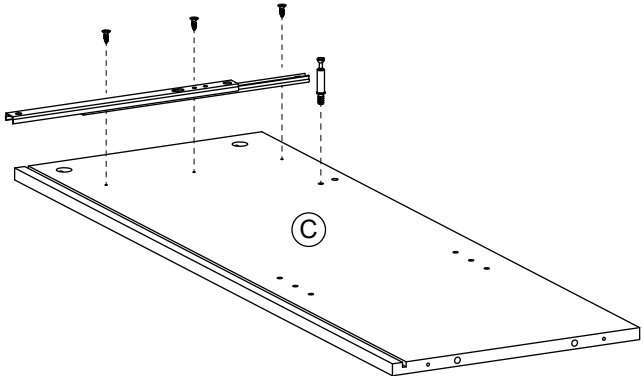
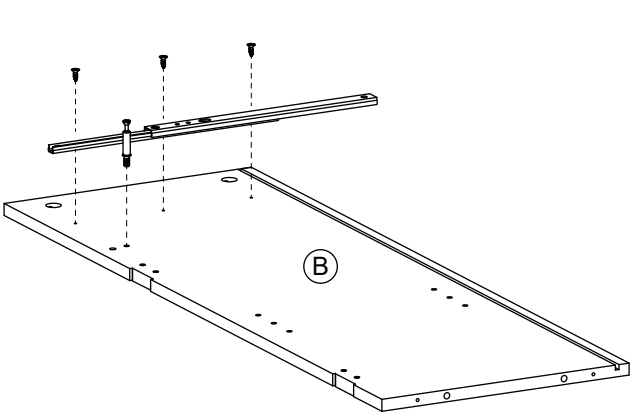
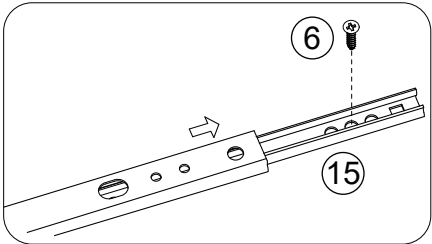
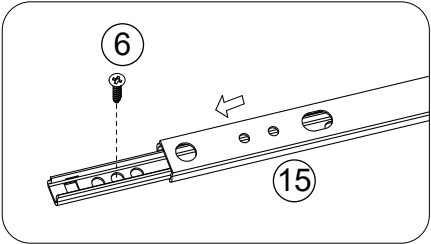
Please save this manual for future reference.

Product Name:	White MDF Wood Slim Bathroom Storage Cabinet and End Table
SKU #:	

Step 2

Screw cam bolts (1) to side panel B & C as shown.
Fix slider (15) onto side panel B & C with screws (6), Please screw in the correct holes as shown.

①×2

⑥×6

⑮×2




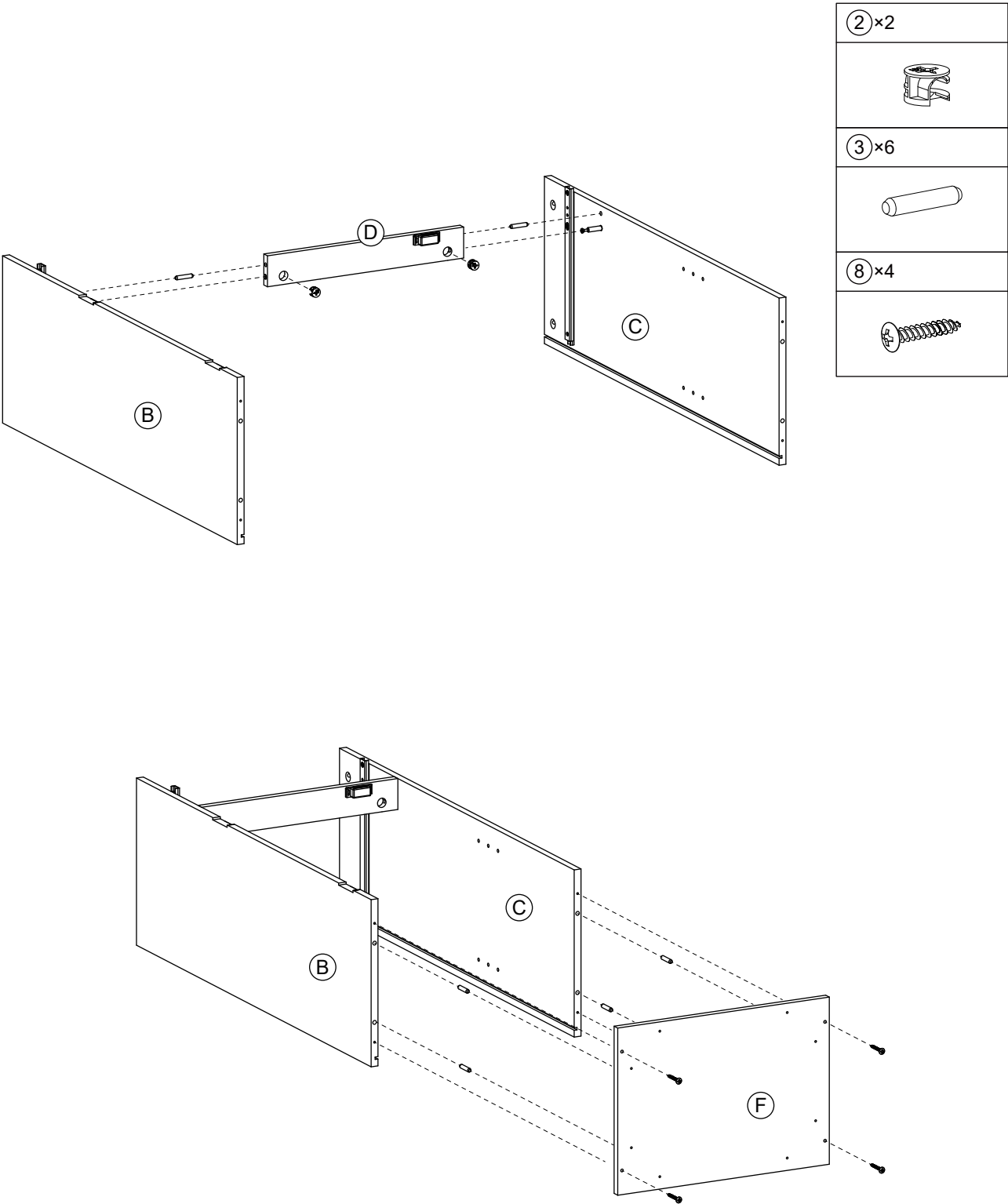
Instruction Manual

Please save this manual for future reference.

Product Name:	White MDF Wood Slim Bathroom Storage Cabinet and End Table
SKU #:	

Step 3

Insert wood plugs (3) to Upper bar D, Assemble D to side panel B & C, then Insert cam locks (2) and tighten. Insert wood plugs (3) to B & C, Fix bottom panel F to unit with screws (8) as shown.



Instruction Manual

Please save this manual for future reference.

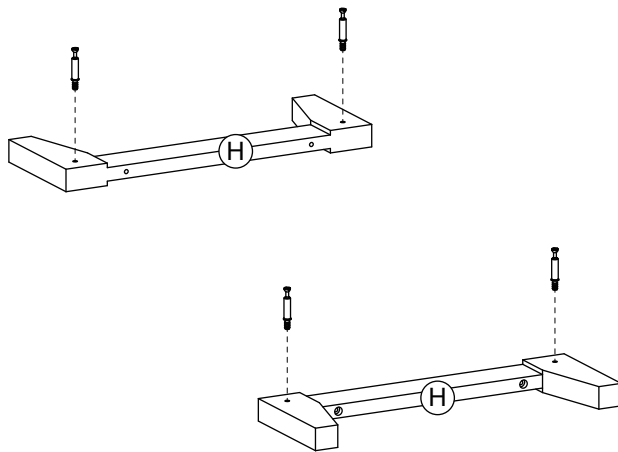
Product Name:	White MDF Wood Slim Bathroom Storage Cabinet and End Table
SKU #:	

Step 4

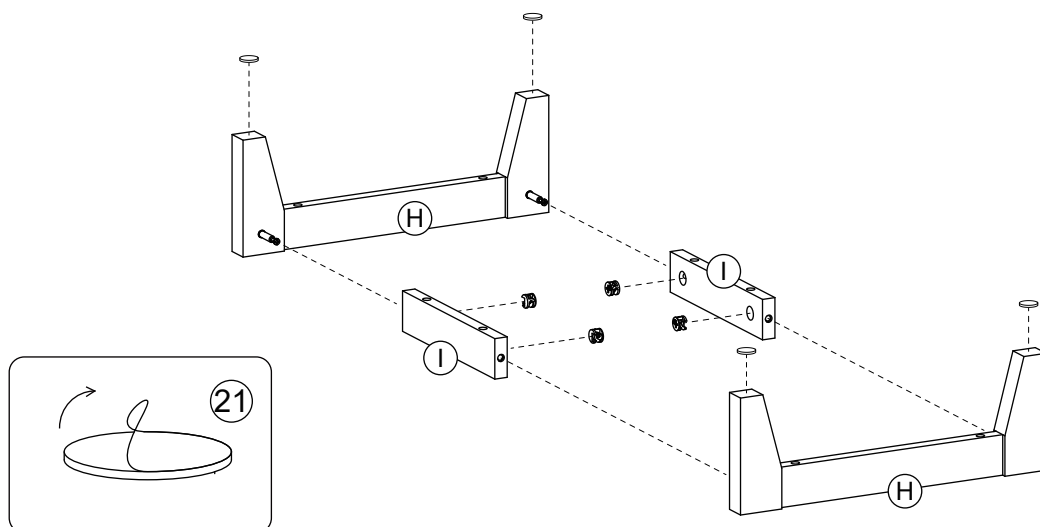
Screw cam bolts (1) to Legs H as shown.

Assemble Legs H to lower bars I, then Insert cam locks (2) and tighten.

Stick foot pads (21) on Legs as shown.



①×4
②×4
②1×4



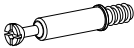


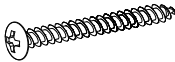
Instruction Manual

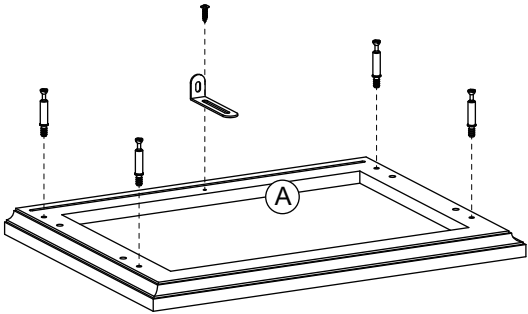
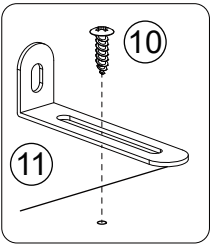
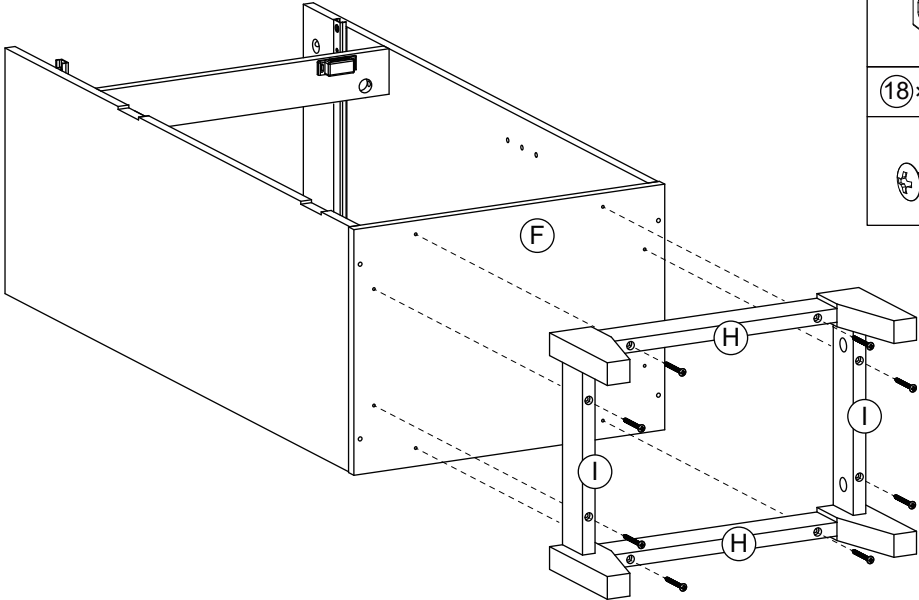
Please save this manual for future reference.

Product Name:	White MDF Wood Slim Bathroom Storage Cabinet and End Table
SKU #:	

Step 5

Fix bottom base to unit with screws (18) as shown.
Fix Hanger bracket (11) onto top panel A with screw (10). Screw cam bolts (1) to A.

①×4	
⑩×1	
⑪×1	
⑱×8	



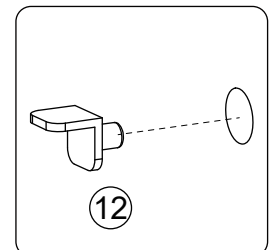
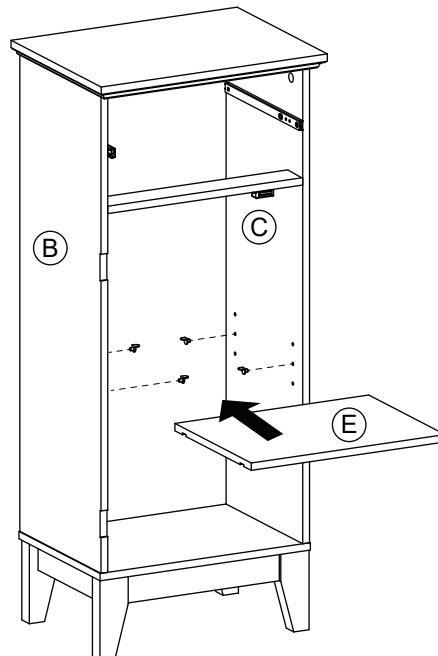
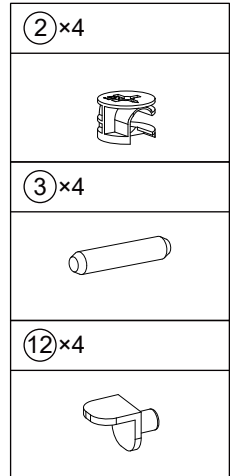
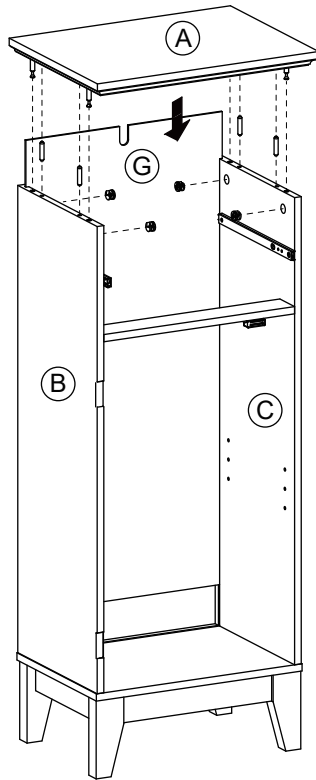
Instruction Manual

Please save this manual for future reference.

Product Name:	White MDF Wood Slim Bathroom Storage Cabinet and End Table
SKU #:	

Step 6

Insert back panel G align with groove. Insert wood plugs (3) to side panels B & C, Assemble top panel A to unit, then Insert cam locks (2) and tighten. Insert Layer supports (12) into the side panel B&C. Put adjustable shelf E into place.



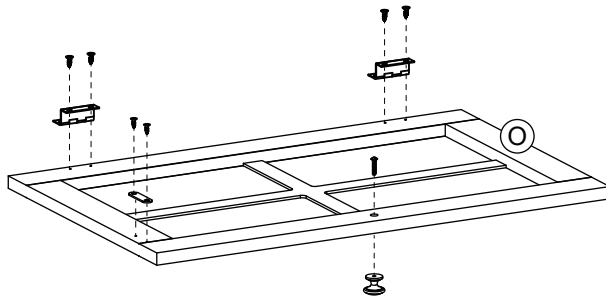
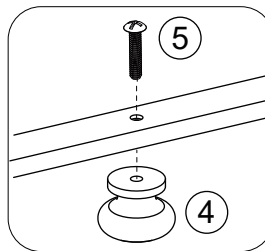
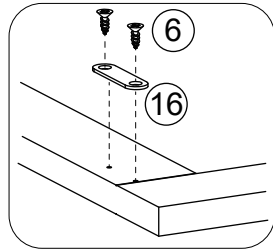
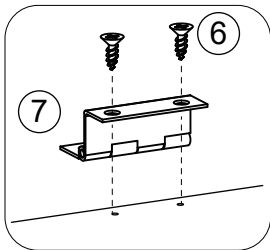
Instruction Manual

Please save this manual for future reference.

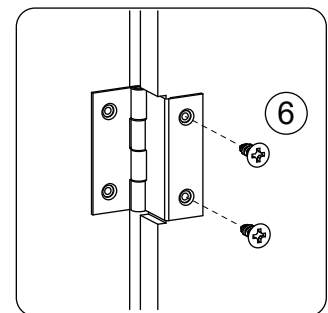
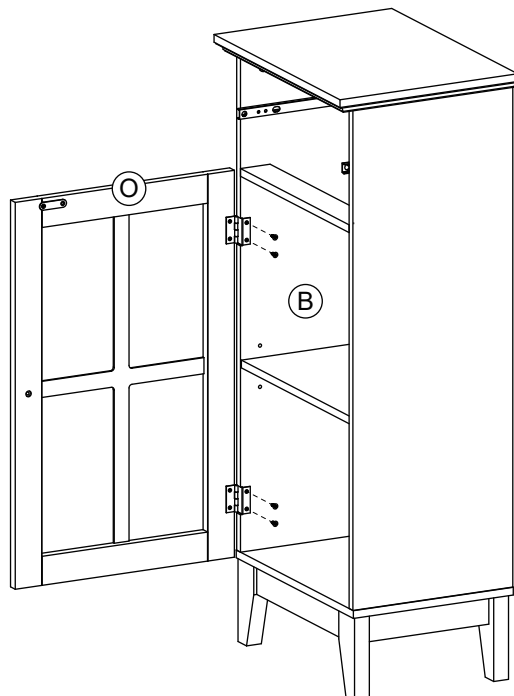
Product Name:	White MDF Wood Slim Bathroom Storage Cabinet and End Table
SKU #:	

Step 7

Assemble the hinges (7) to door O with screws (6), Fix handle (4) to O with bolt (5).
Fix magnet plate (16) to O with screws (6).
Assemble the door O to the unit with screws (6).



④×1	
⑤×1	
⑥×10	
⑦×2	
⑬×1	



Instruction Manual

Please save this manual for future reference.

Product Name:	White MDF Wood Slim Bathroom Storage Cabinet and End Table
SKU #:	

Step 8

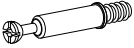




Screw cam bolts (1) to drawer front panel J.

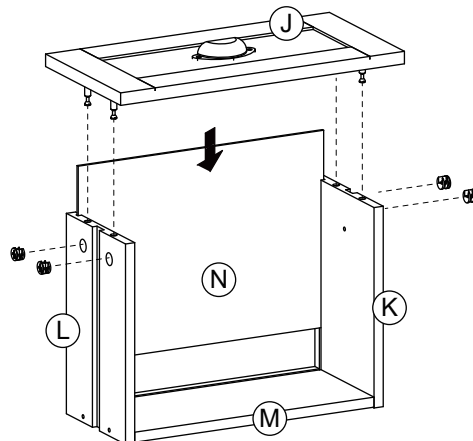
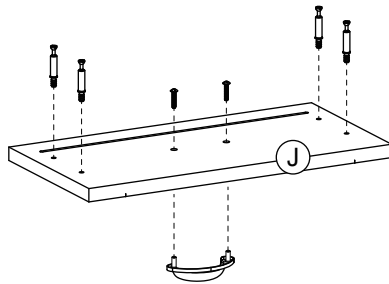
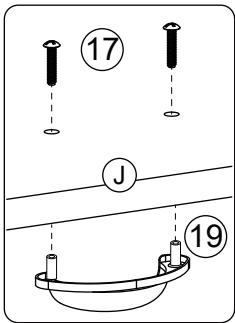
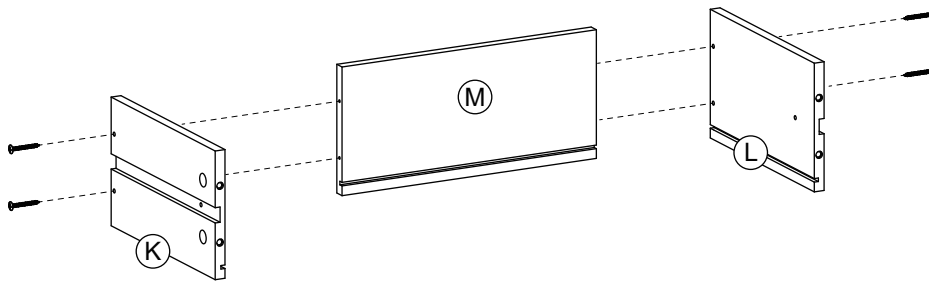
Fix handle (19) to drawer front panel J with bolts (17).

Fix drawer side panel K & L to drawer back panel M with screws (8).

Insert drawer bottom panel N align with groove.

Assemble J to unit, then Insert cam locks (2) and tighten.

①×4

②×4

⑧×4

⑰×2

⑲×1




Instruction Manual

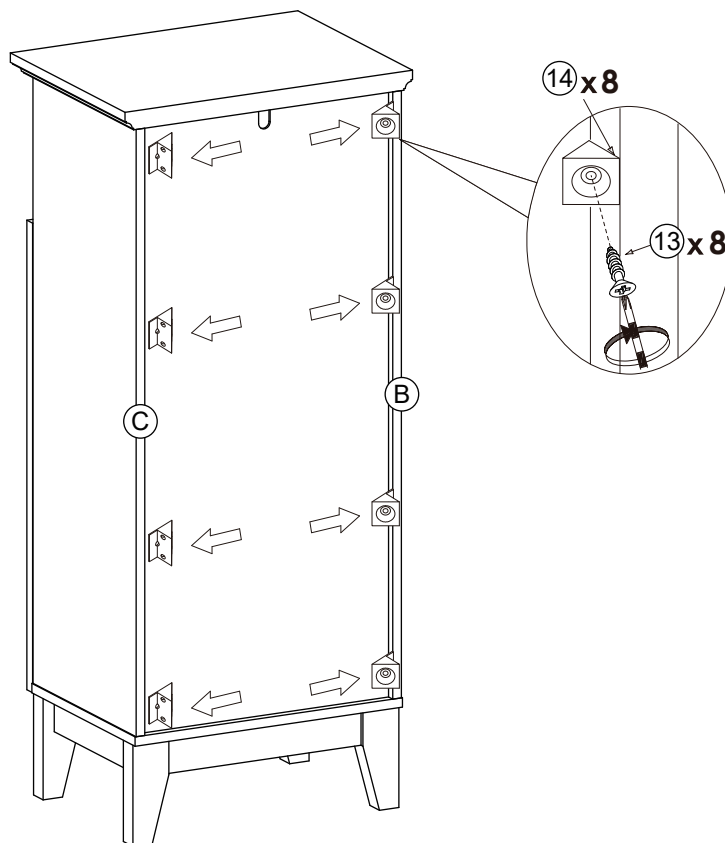
Please save this manual for future reference.

Product Name:	White MDF Wood Slim Bathroom Storage Cabinet and End Table
SKU #:	

Step 9

Insert back panel buttons (14) to unit with screws (13) as shown.

⑬×8
A screw with a Phillips head and a hexagonal base.
⑭×8
A square button with a circular hole in the center.



Instruction Manual

Please save this manual for future reference.

Product Name:	White MDF Wood Slim Bathroom Storage Cabinet and End Table
SKU #:	

Step 10

Draw a location hole on Wall. Drill a hole on the wall to input wall plugs (20) ,
Fix the cabinet to wall with screws (8) as shown.
Fix the drawer to cabinet with bolts (17).

