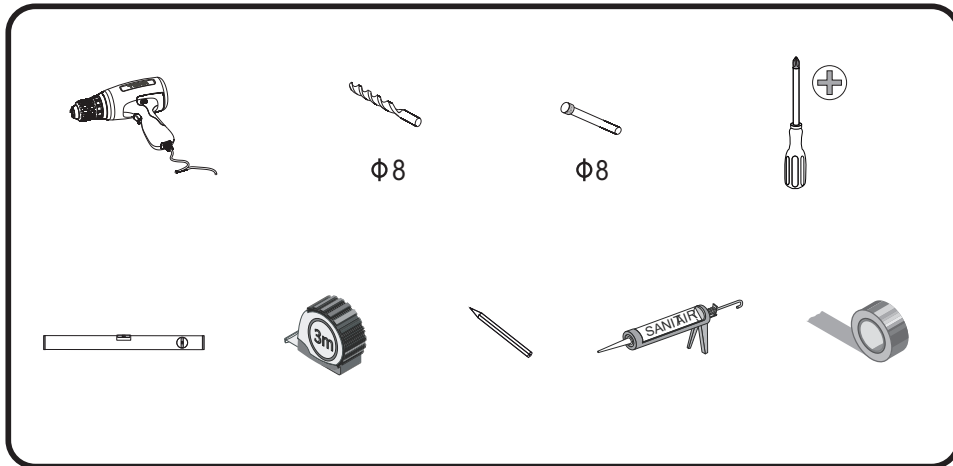


Installation Manual

1、 Parts List	01
2、 Installation instructions	03
3、 Installation Instructions	08
4、 Installation & adjustment of drawer	09
5、 The way to take off the drawer	10

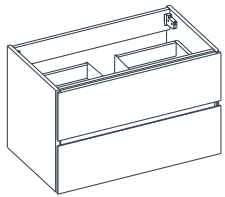
Tools List



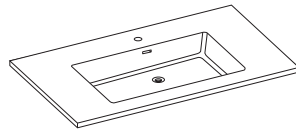
Parts List

Fixed System1

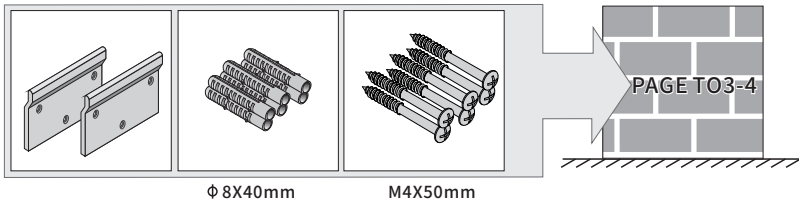
Cabinet



Basin



Fixed Accessories



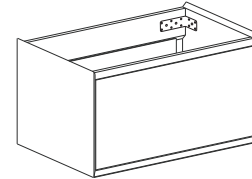
Φ 8X40mm

M4X50mm

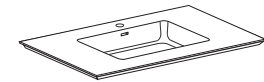
Parts List

Fixed System 2

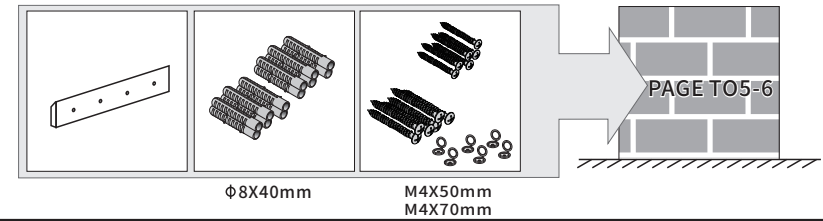
Cabinet



Basin



Fixed Accessories

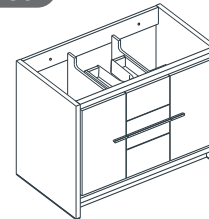


Φ8X40mm

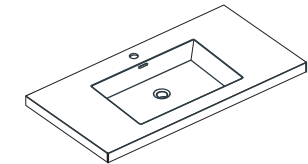
M4X50mm
M4X70mm

Fixed System 3

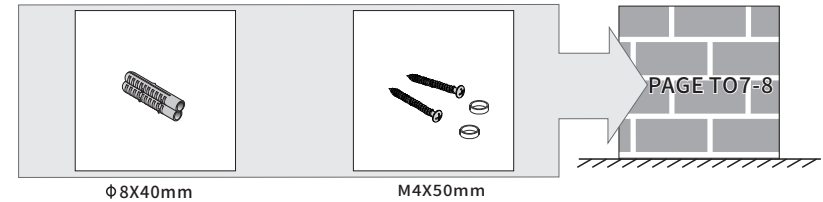
Cabinet



Basin



Fixed Accessories

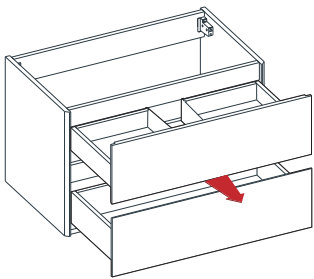
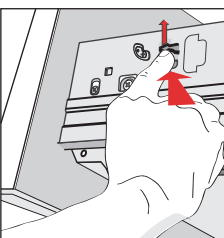
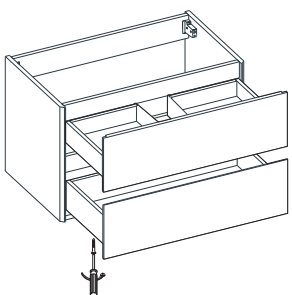
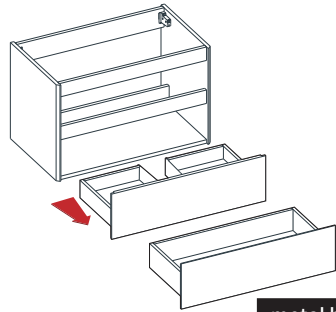
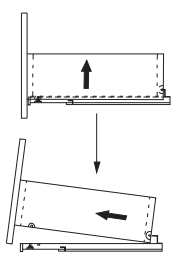
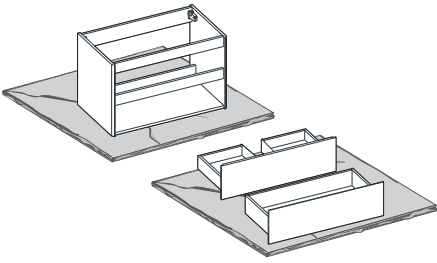


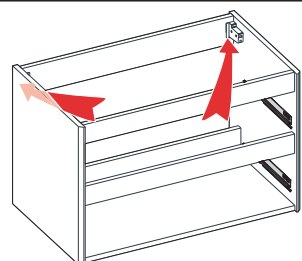
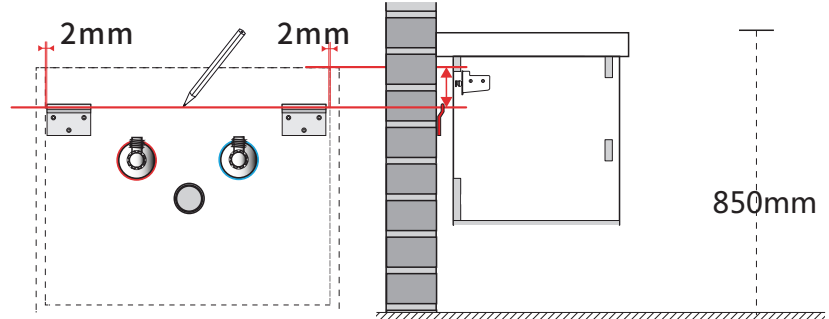
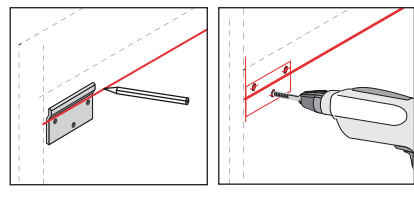
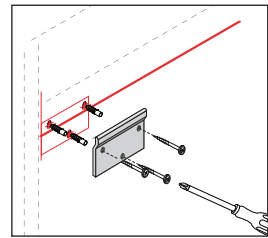
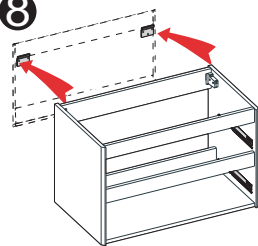
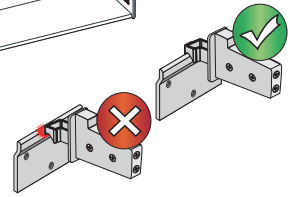
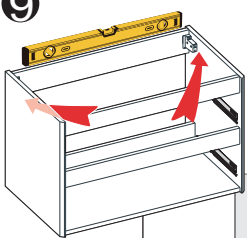
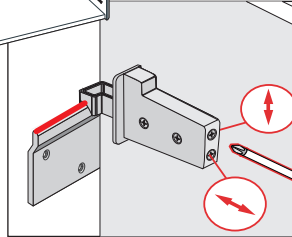
Φ 8X40mm

M4X50mm

Installation Instructions

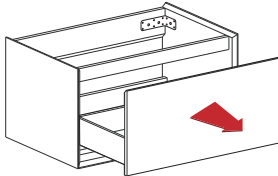
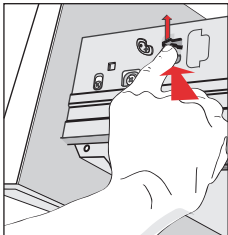
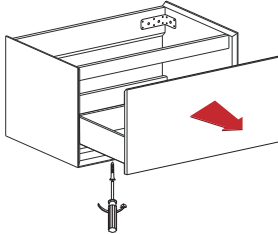
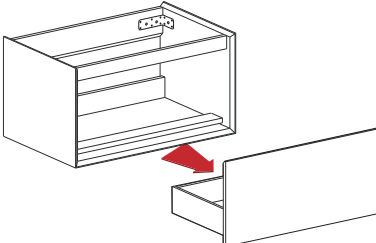
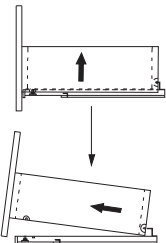
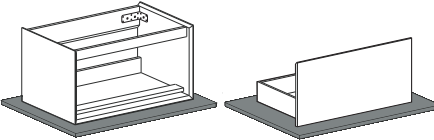
Fixed System 1

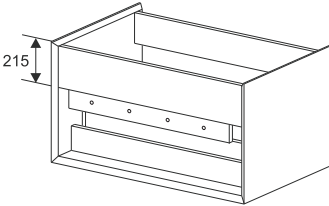
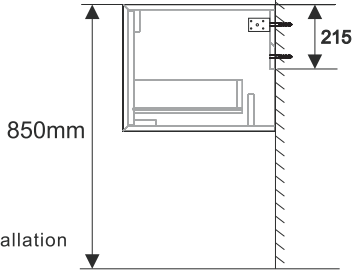
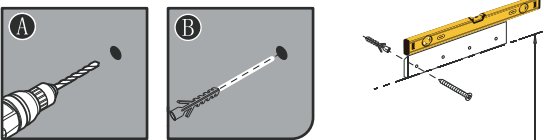
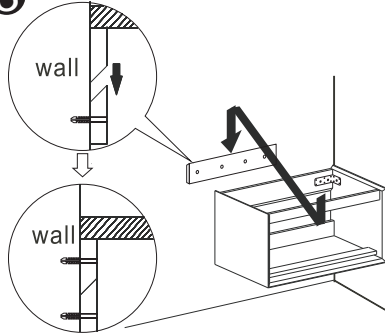
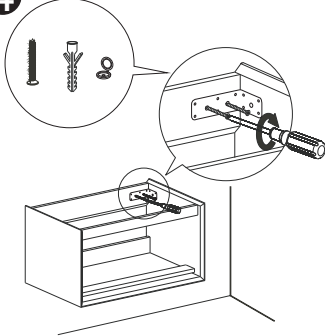
<p>1</p>  <p>metal box</p>	<p>2</p>  <p>metal box</p>
<p>2</p>  <p>wooden drawer</p>	<p>3</p>  <p>metal box</p>
<p>3</p>  <p>wooden drawer</p>	<p>4</p>  <p>metal box</p>

<p>5</p>  <p>2mm 2mm</p>  <p>850mm</p>	
<p>6</p> 	<p>7</p> 
<p>8</p>  <p>8</p> 	<p>9</p>  <p>9</p> 

Installation Instructions

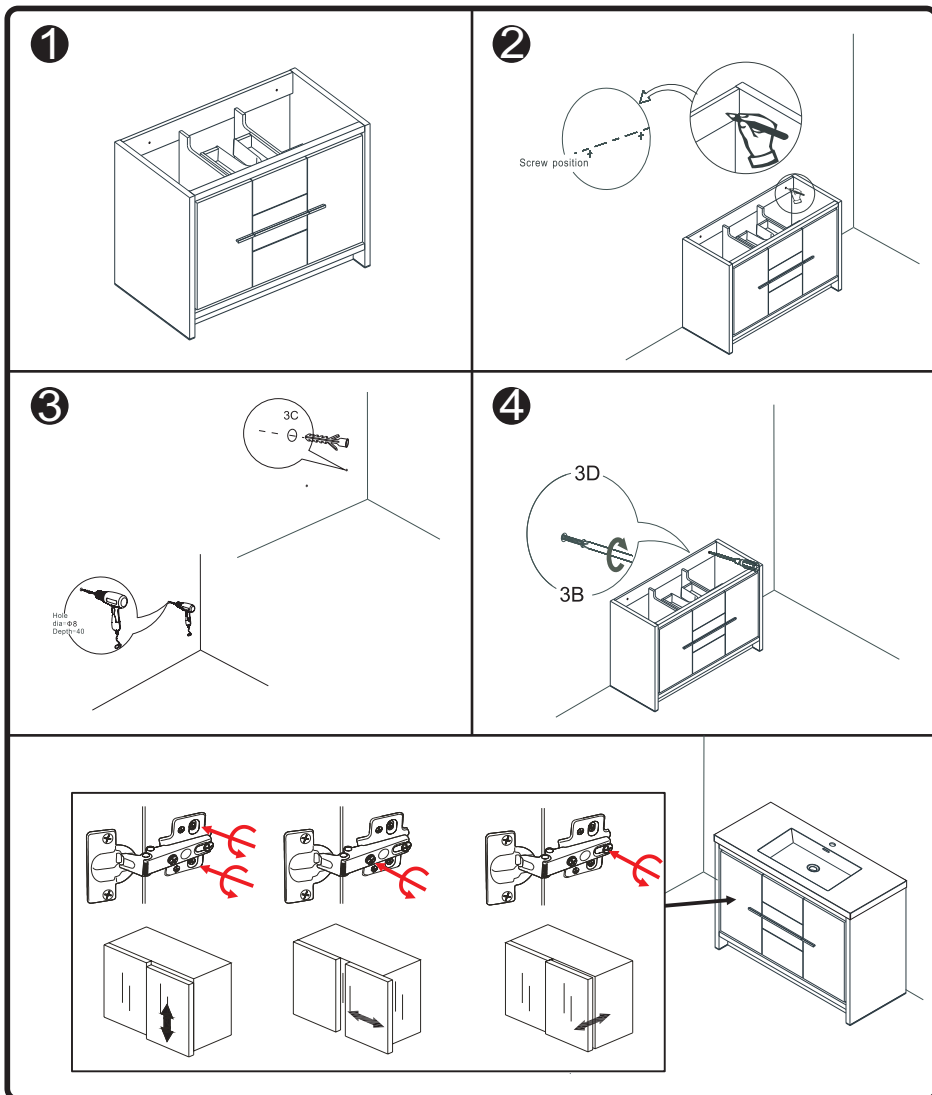
Fixed System 2

<p>1</p> 	<p>2</p>  <p>metal box</p>
<p>2</p> 	<p>3</p>  <p>metal box</p>
<p>3</p>  <p>wooden drawer</p>	<p>4</p> 

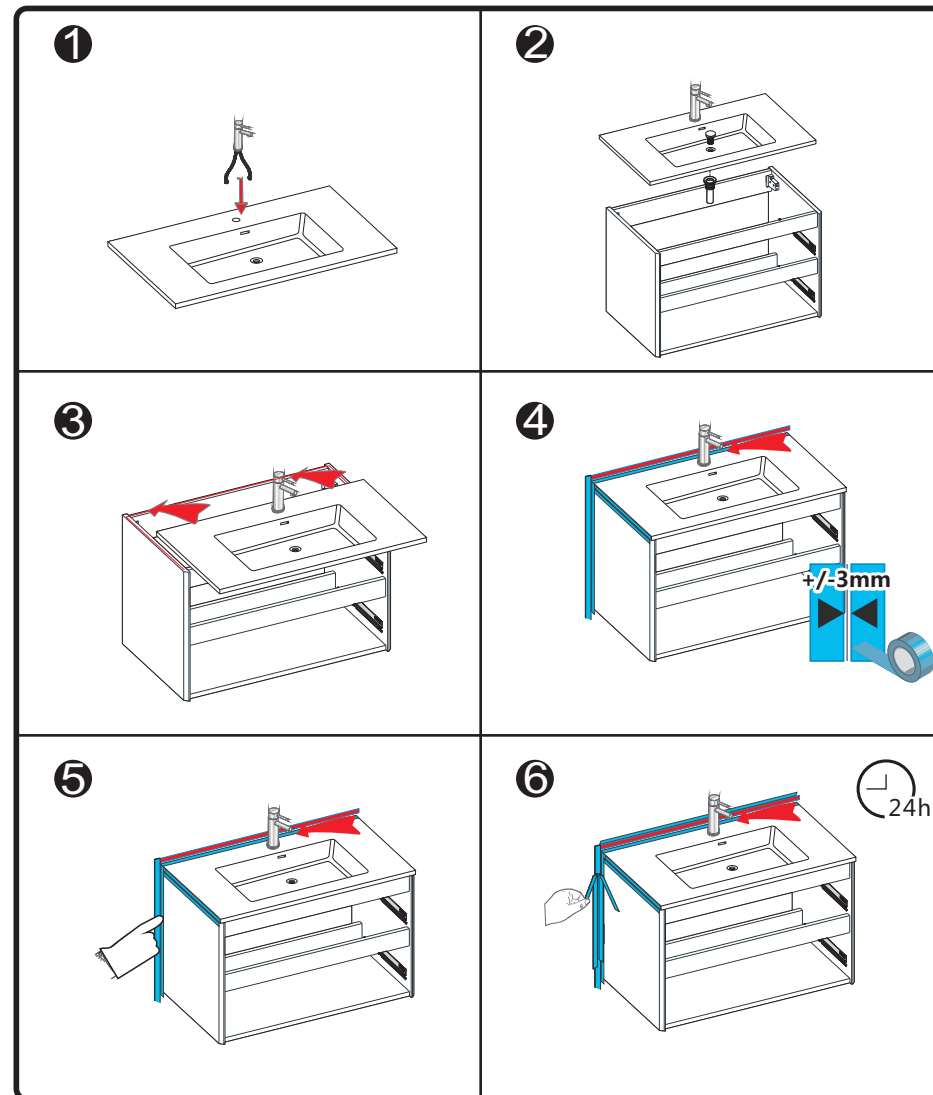
<p>1</p>  <p>215</p>  <p>850mm</p> <p>215</p> <p>Recommended height of installation</p>	
<p>2</p>  <p>635mm</p>	
<p>3</p>  <p>wall</p> <p>wall</p>	<p>4</p> 

Installation Instructions

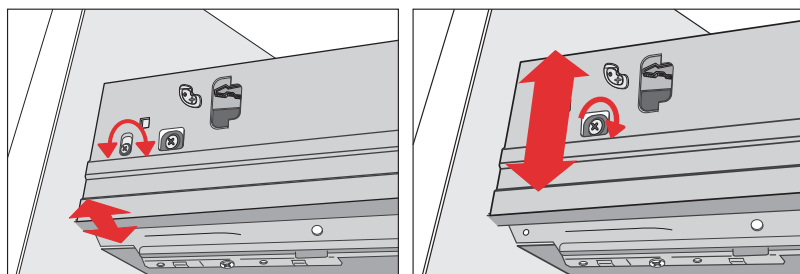
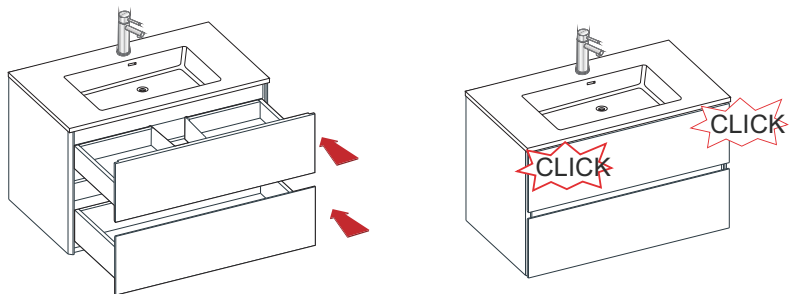
Fixed System 3



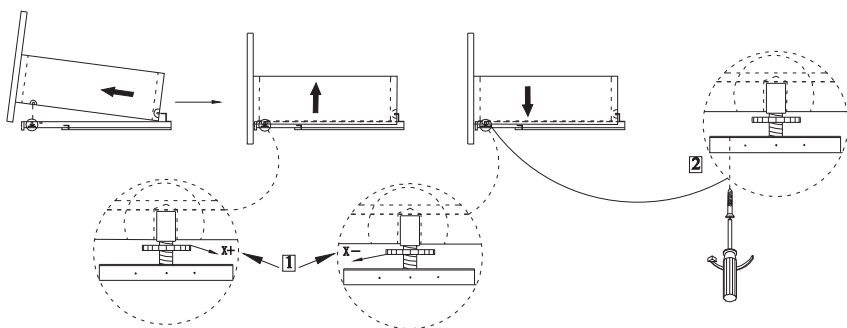
Installation Instructions



Installation & adjustment of drawer

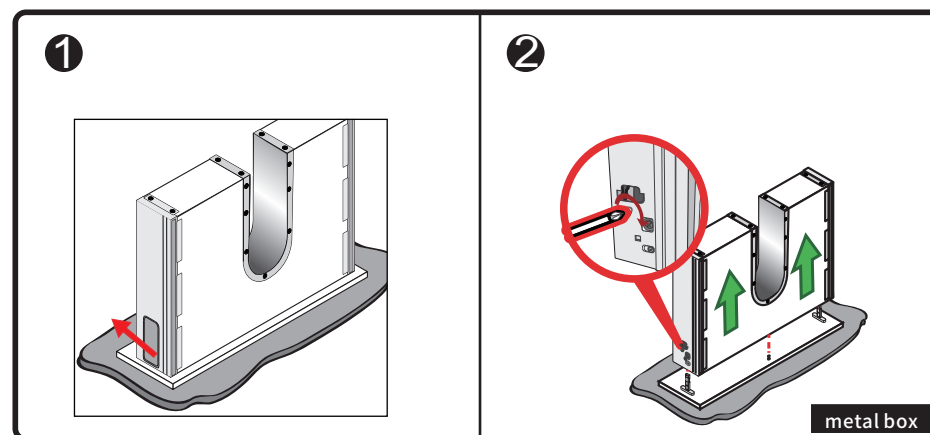


metal box

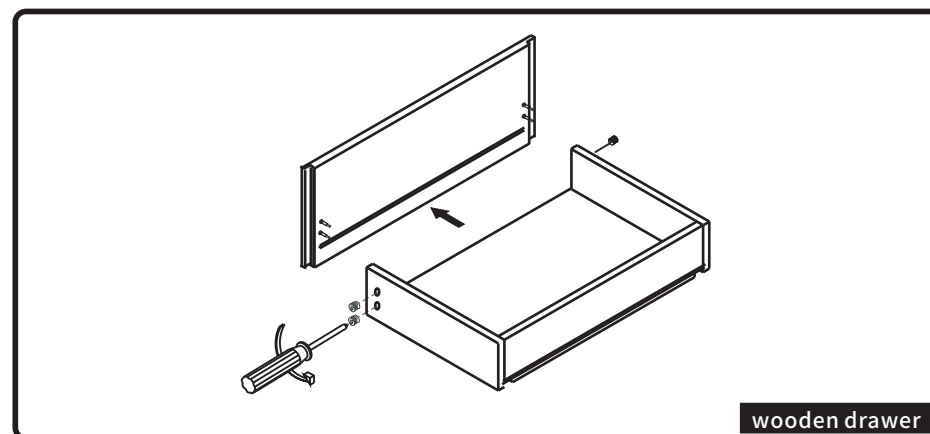


wooden drawer

The way to take off the drawer



metal box



wooden drawer