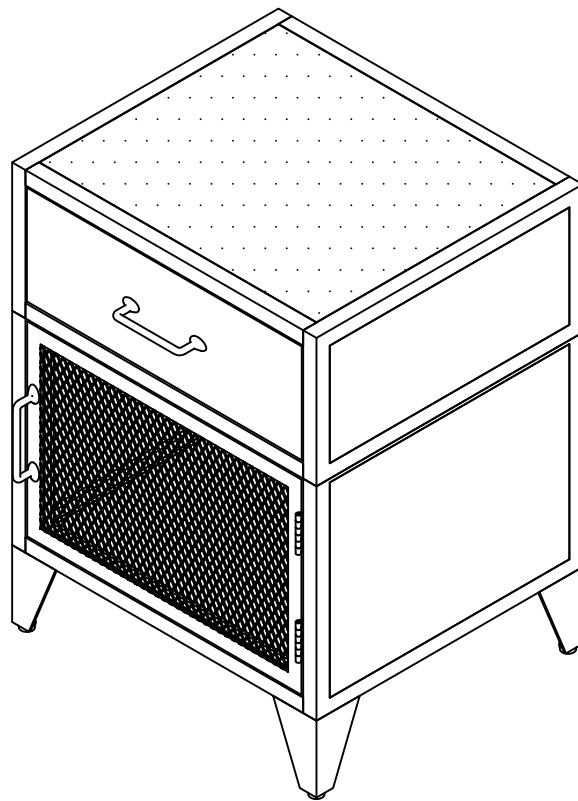


Assembly Instructions

For more information contact our team



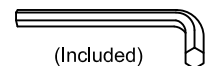
ASSEMBLY RATING

The Assembly Rating is a 5-point system that shows the degree of effort needed in assembling a specific product (with 1 being easy and 5 being difficult). For some products, two persons are recommended.

EASY  DIFFICULT

Tools Required For Assembly:

Allen Wrench



(Included)

Phillips Screwdriver



(Not Included)

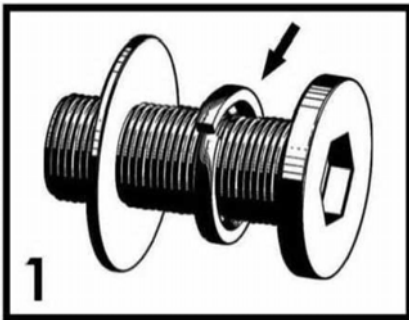


2 PERSONS RECOMMENDED

ASSEMBLY & CARE ADVICE

FOR YOUR FURNITURE TO LAST, CORRECT ASSEMBLY AND PROPER MAINTENANCE ARE NECESSARY. PLEASE FOLLOW THE INFORMATION PROVIDED BELOW TO FULLY ENJOY YOUR FURNITURE.

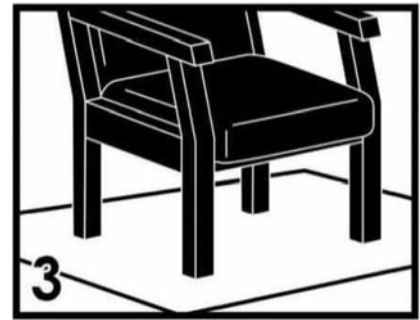
BASIC ASSEMBLY TECHNIQUES



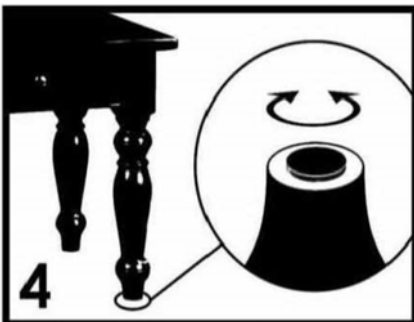
When lock or spring washer is used in an assembly, please make sure the lock or spring washer is placed between the larger flat washer and the head of the screw or bolt.



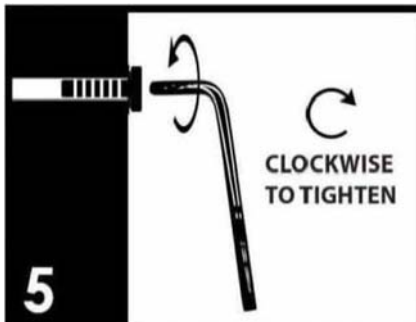
Position each part correctly and insert screws or bolts into their respective holes by hand tighten or using the proper hand tool. Only tighten when step is completed or when instructed to do so.



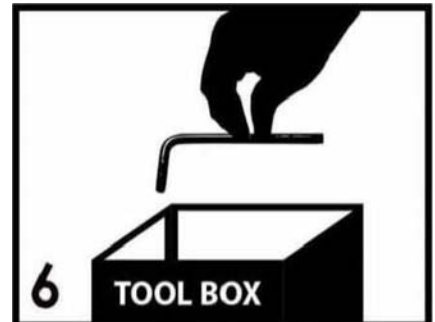
Use cardboard or carpet area when assembling furniture to prevent scratches. Make sure the furniture rests on a flat and level surface with each leg evenly touching the floor.



Some furniture comes with height adjustment knobs underneath each leg. To lower or to raise each leg, you need to turn clockwise or counterclockwise, respectively.

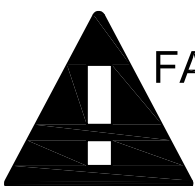


Make sure all parts are properly aligned, then use the appropriate hand tool to completely tighten the bolts or screws. Do not use power tools and do not overtighten.



Save the instructions and store the Allen wrench or any supplied tool for later maintenance. After two weeks, check and tighten any loose hardware and repeat again every six months thereafter.

IT IS THE USER'S RESPONSIBILITY TO MAINTAIN THE FURNITURE. THE HARDWARE MAY LOOSEN OVER TIME AND MAY CAUSE THE FURNITURE TO BE WOBBLY AND UNABLE TO SUPPORT ITS INTENDED WEIGHT CAPACITY. THIS MAY LEAD TO COLLAPSE AND MAY CAUSE SERIOUS INJURY.



FAILURE TO FOLLOW THE GUIDELINES ABOVE MAY RESULT IN INJURY AND/OR PROPERTY DAMAGE.

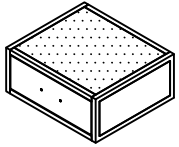


Before you begin, please read Page 2 of "Assembly and Care Advice".

And remember, do not tighten until each step is completed or instructed.

Parts List

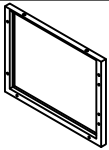
Hardware List



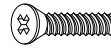
#1 x 1pc
Drawer



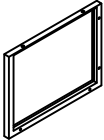
#A x 2pcs
BOLT M3x 3/8"



#2 x 1pc
Right Side Panel



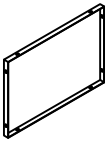
#B x 4pcs
BOLT 3/16"x1/2"



#3 x 1pc
Left Side Panel



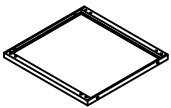
#C x 8pcs
BOLT 3/16"x1/2"



#4 x 1pc
Back Panel



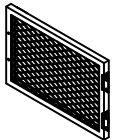
#D x 2pcs
BOLT 3/16"x1-1/8"



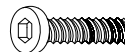
#5 x 1pc
Bottom Panel



#D x 8pcs
BOLT 1/4"x5/8"



#6 x 1pc
Door



#E x 16pcs
BOLT 1/4"x5/8"



#7 x 4pcs
Leg



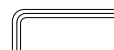
#F x 16pcs
Flat washer Ø16mm



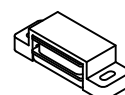
#8 x 1pc
Drawer Handle



#G x 10pcs
Flat washer Ø12mm

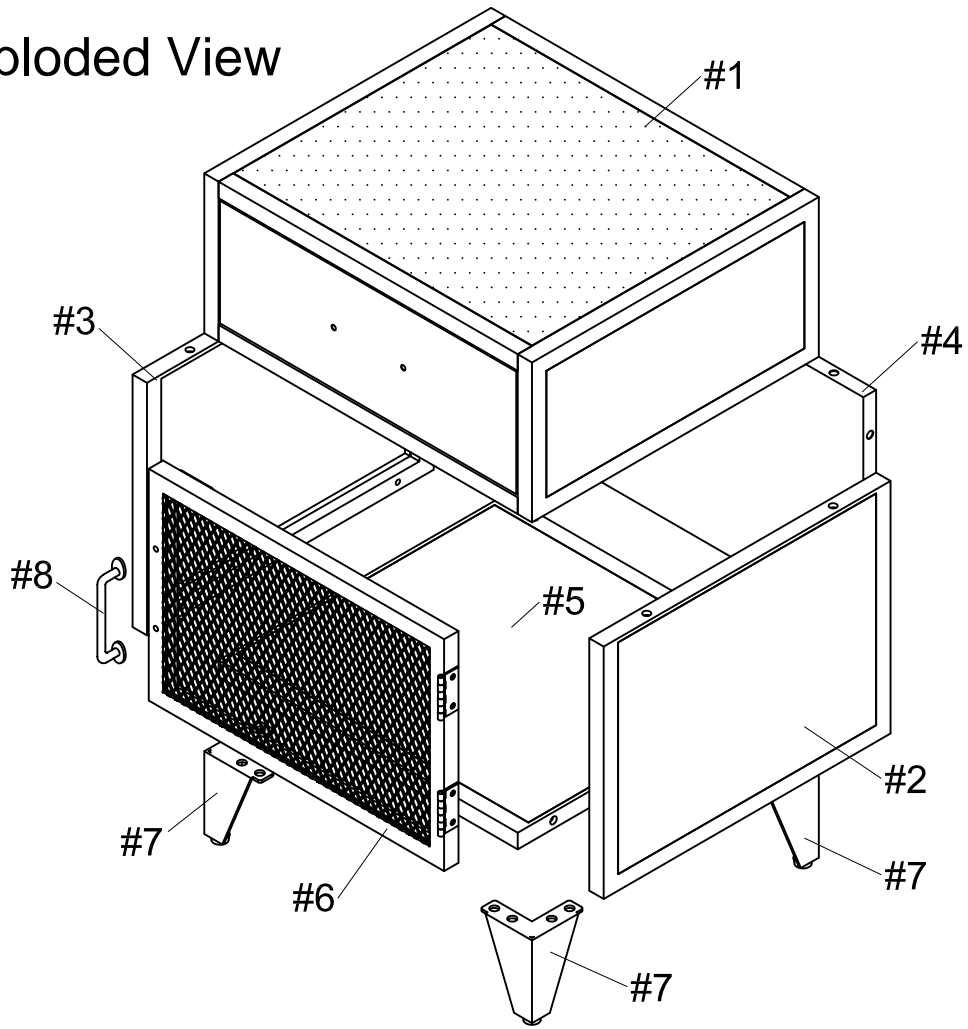


#H x 1pc
Allen Wrench




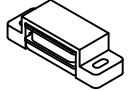
#I x 1pc
Door Catch

Exploded View

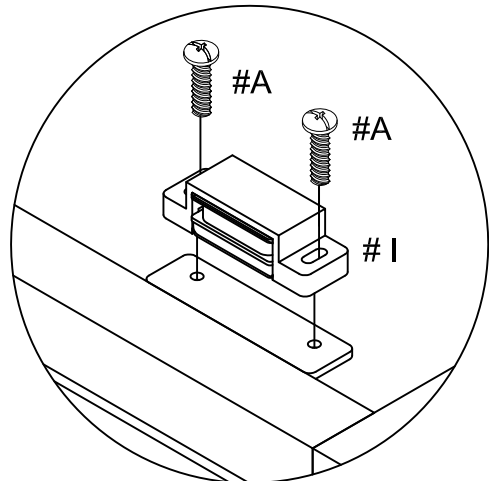
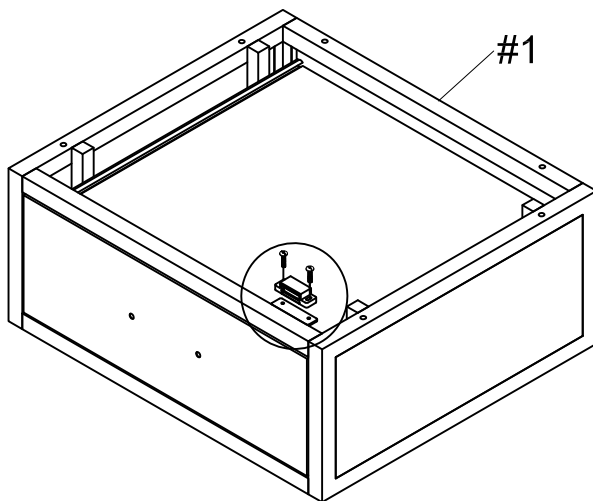


ASSEMBLY

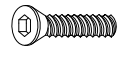

Do not fully tighten all bolts until assembly is complete. This will help all parts to assemble properly.

| | | |
|----|---|------|
| #A |  | 2pcs |
| #I |  | 1pc |

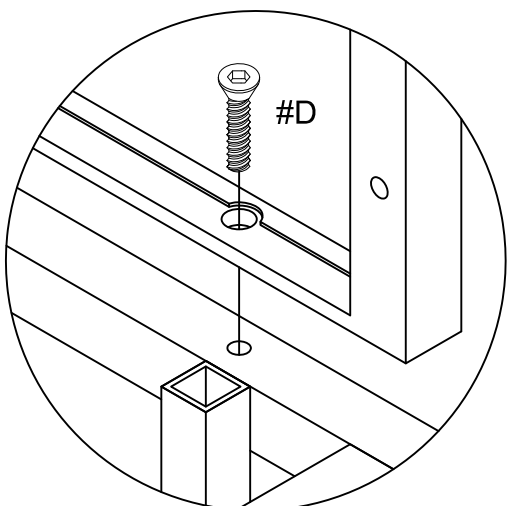
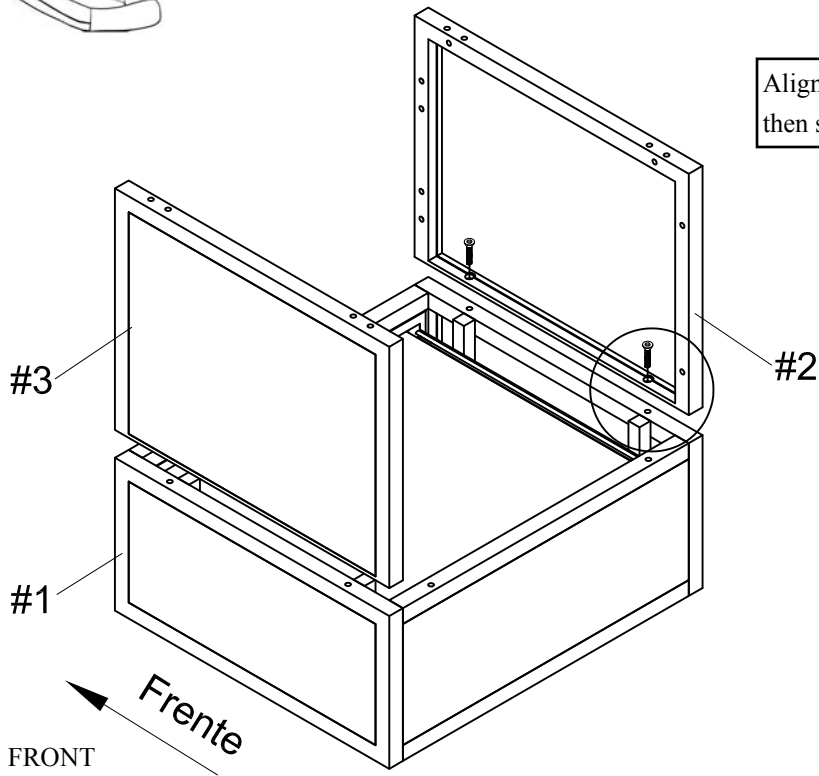
Align magnet (#I) to the holes of the drawer (#1), then secure by using bolts (#A).

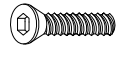





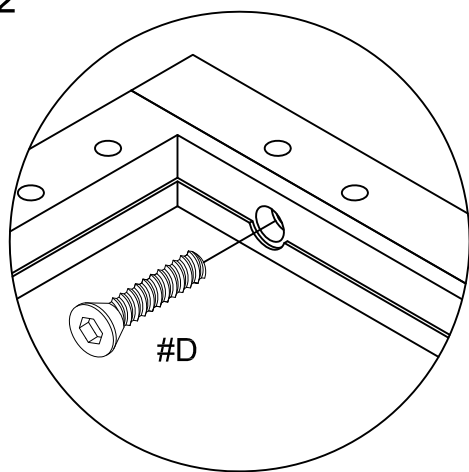
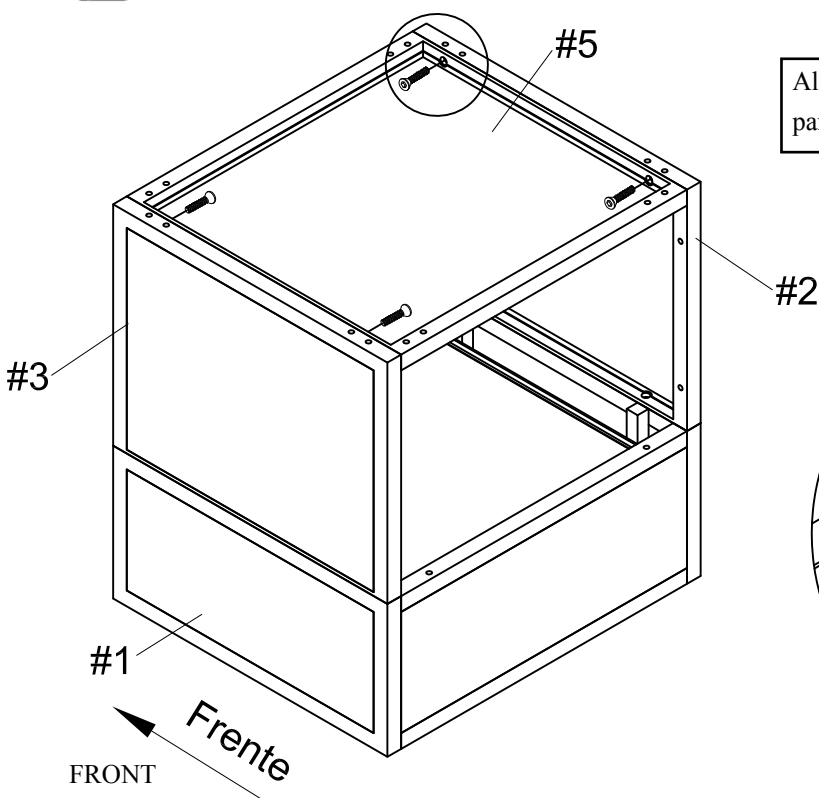
- #D  4pcs
- #E 

Align side panels (#2,3) to the holes of the drawer (#1), then secure by using bolts (#D).





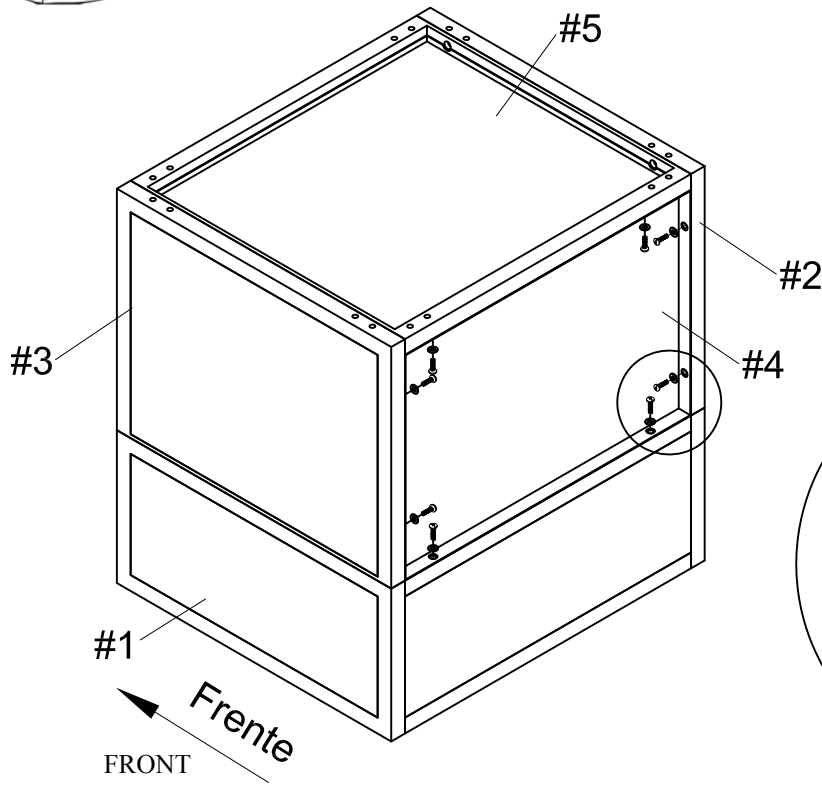
- #D  4pcs
- #E 

Align bottom panel (#5) to the holes of the side panels (#2,3). Secure by using bolts (#D).

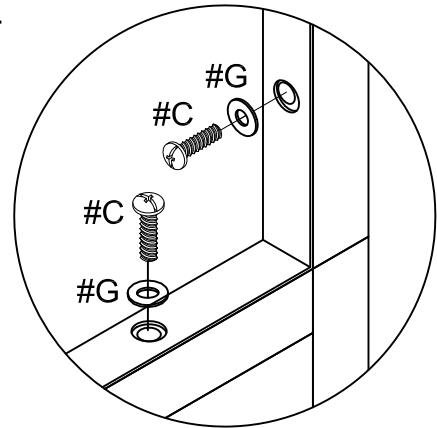







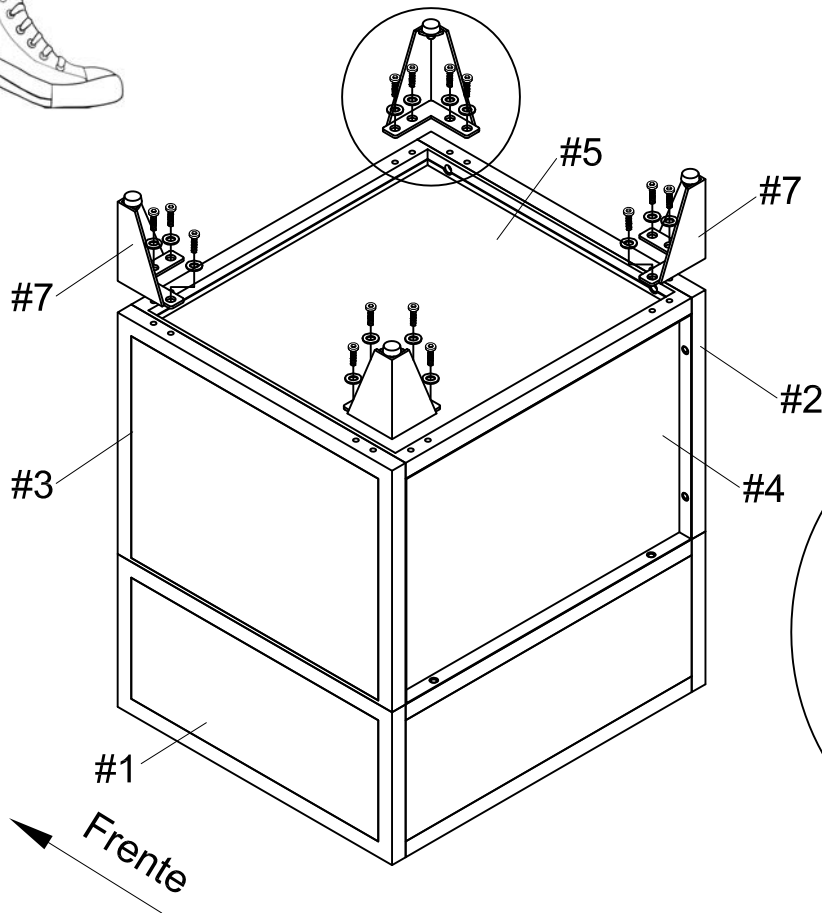
- #C  8pcs
- #G  8pcs



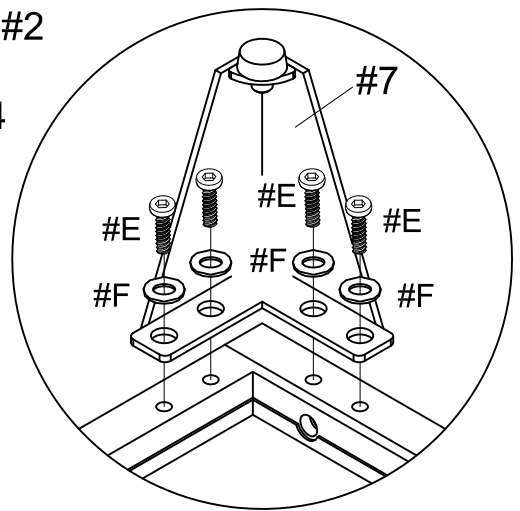
Prepare 8 bolts assembly by inserting washer (#G) onto bolts (#C). Align back panel (#4) to the holes of the side panels (#2,3) and bottom panel (#5). Secure by using bolts (#C).



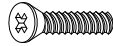
- #E  16pcs
- #F  16pcs
- #H 

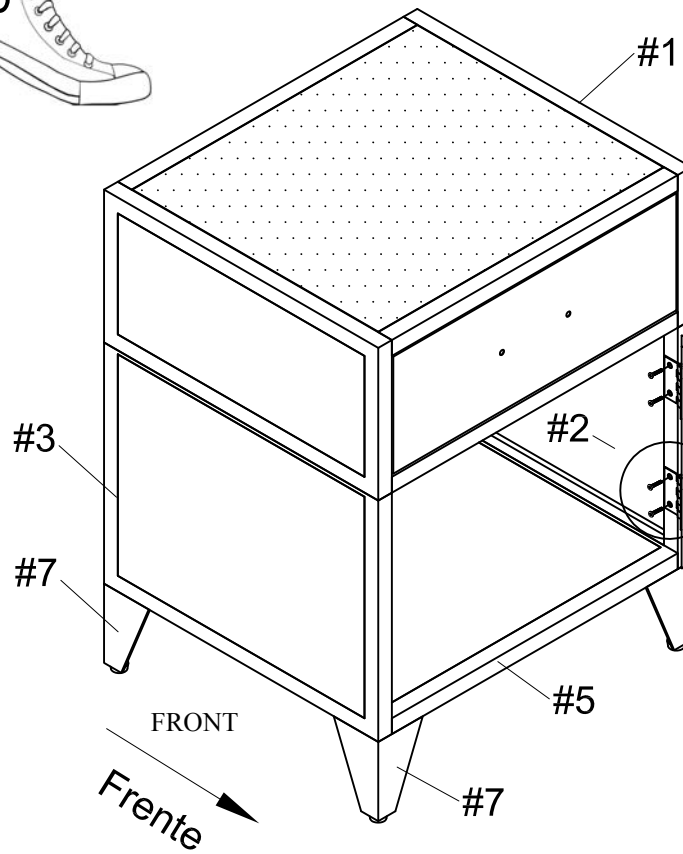


Prepare 16 bolts assembly by inserting washer (#F) onto bolts (#E). Align legs (#7) to the holes of the bottom of the nightstand. Secure by using bolts (#E).

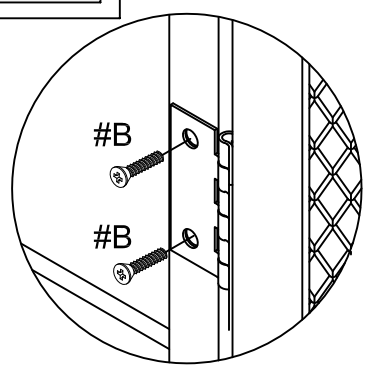






| | | |
|----|--|------|
| #B |  | 4pcs |
|----|--|------|

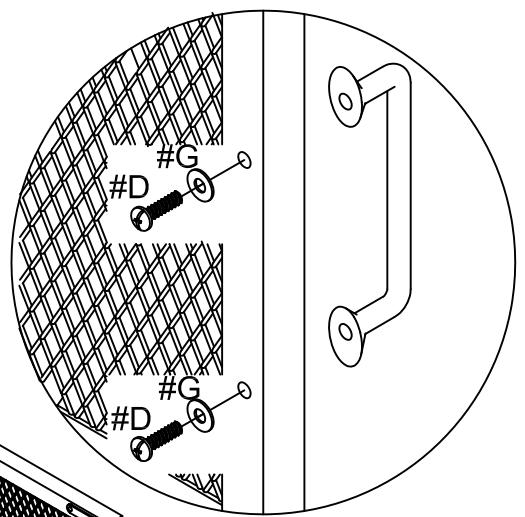
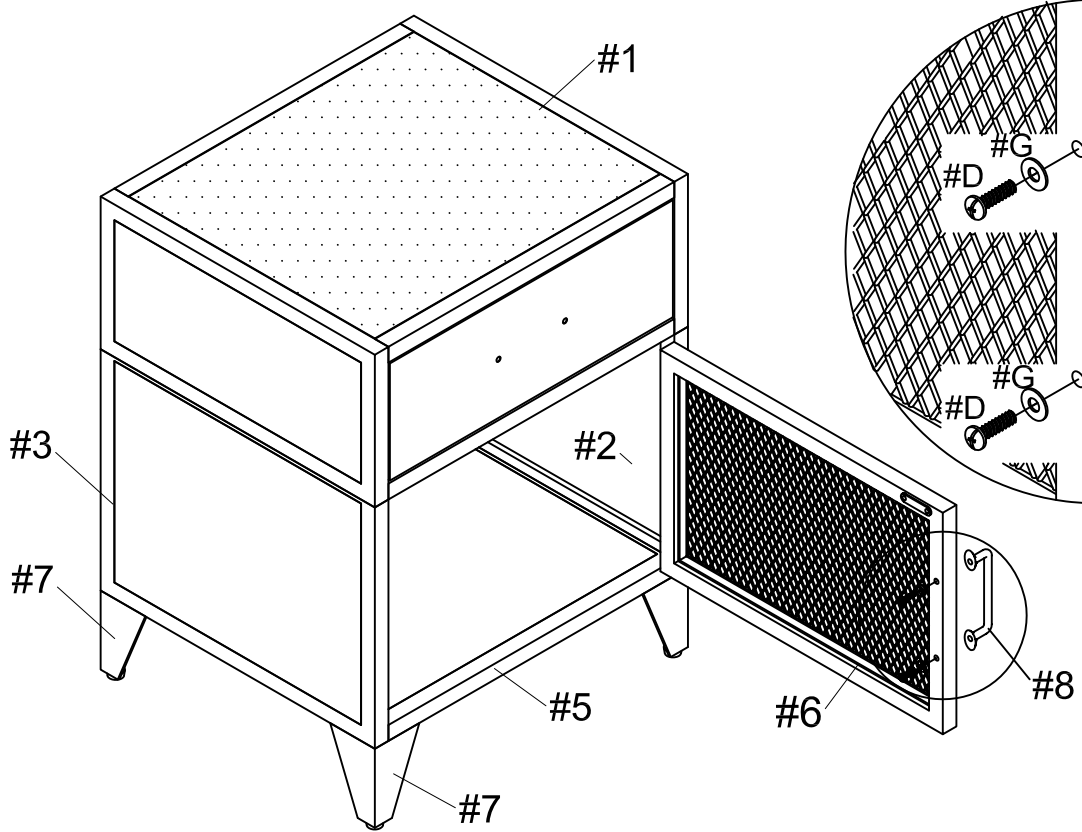


Align door (#6) to the front holes of the nightstand.
Secure by using bolts (#B).



Prepare 2 bolts assembly by inserting washer (#G) onto bolts (#D).
Align handle (#8) to the holes of the door (#6). Secure by using bolts (#D).

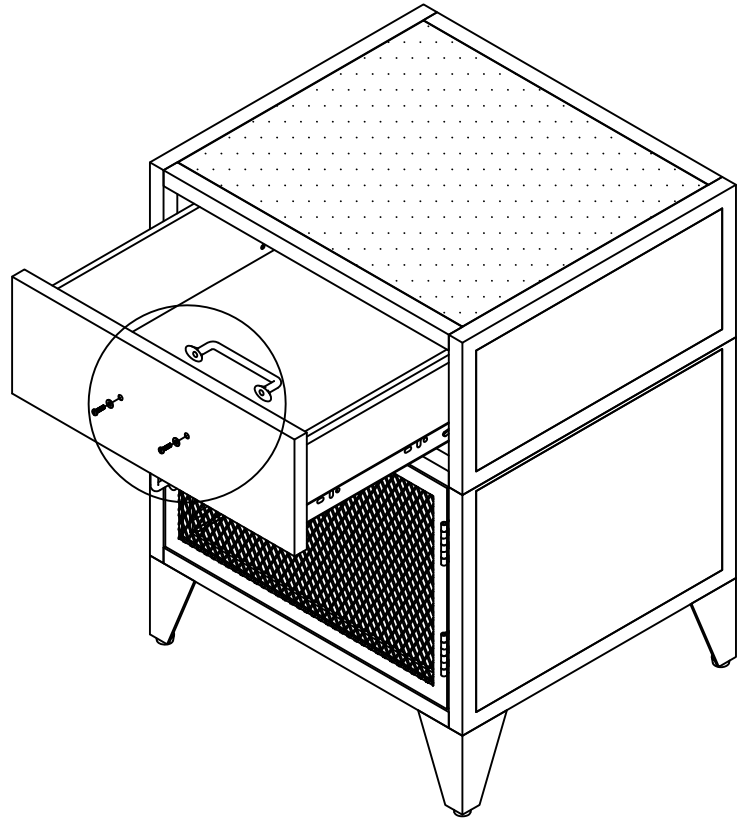
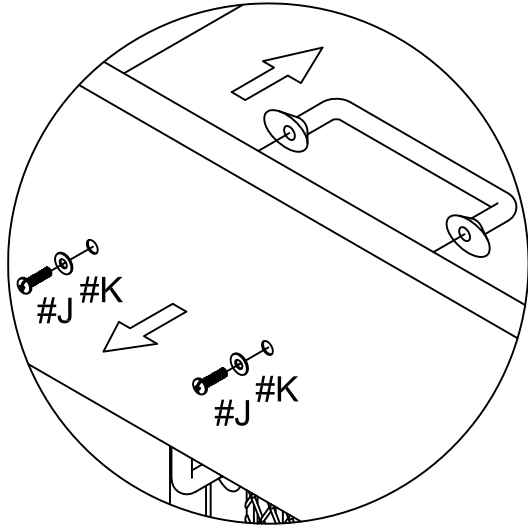
| | | |
|----|---|------|
| #D |  | 2pcs |
| #G |  | 2pcs |



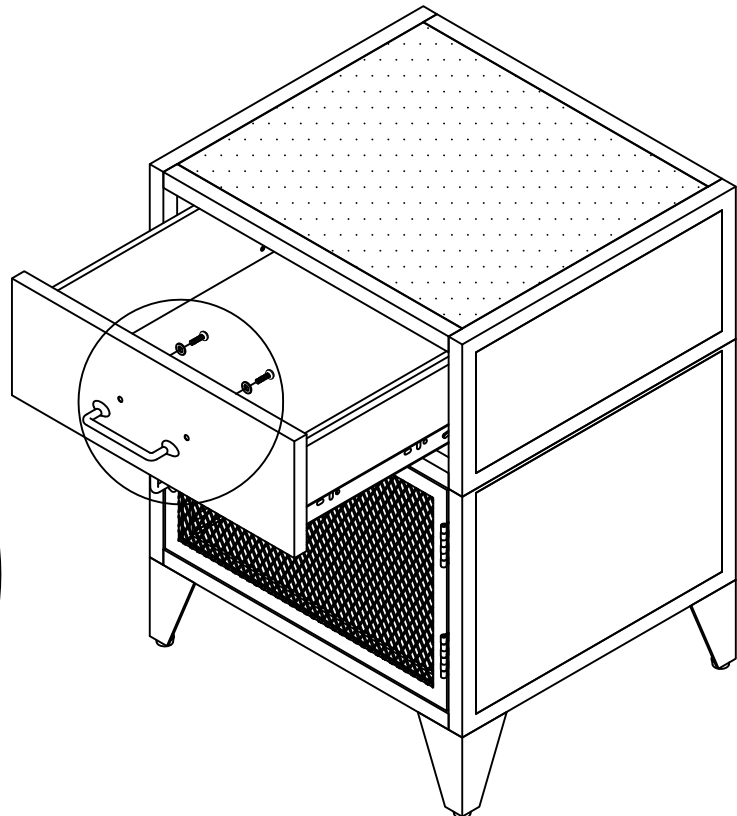
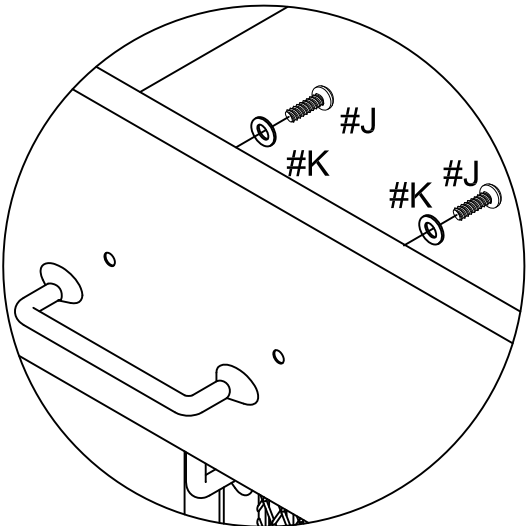


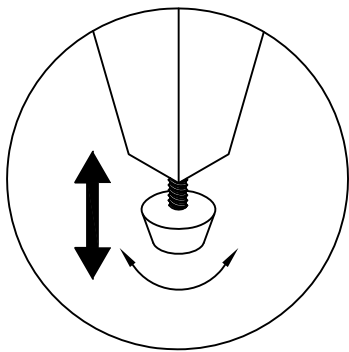
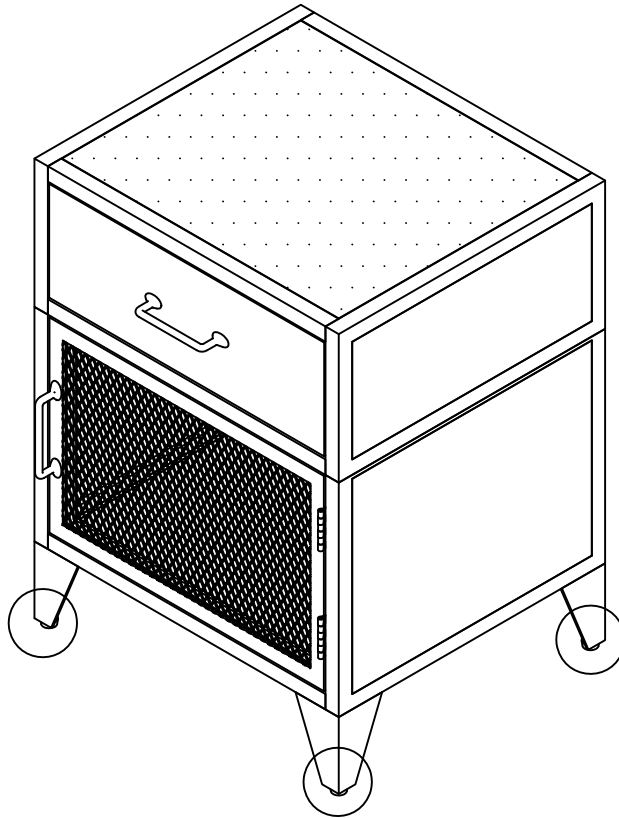
Pull drawer out, then unscrew bolts (#J) from handle.

- | | | |
|----|--|------|
| #J | | 2pcs |
| #K | | 2pcs |



Align handle outside of the drawer, then secure by using bolts (#J).





Adjust leveler on the bottom of the legs according to ground level.