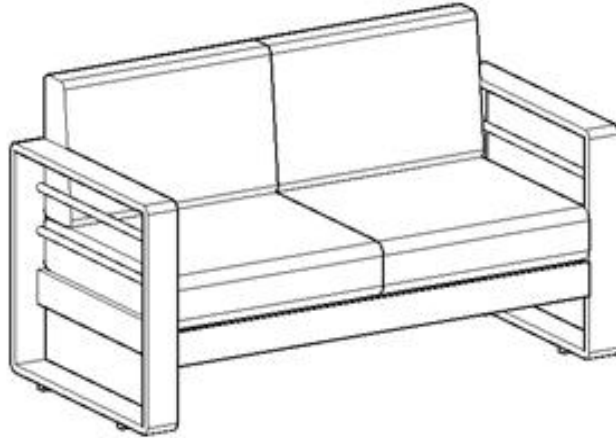


# Assembly Instructions

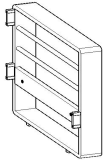
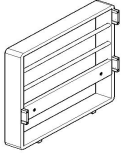

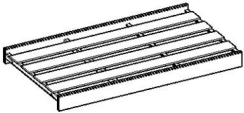
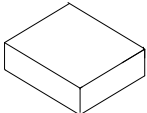
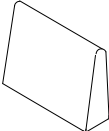
**Caution: You must read this before you proceed**

**Please look in the red bag for hardware packs and legs.**

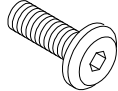
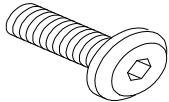
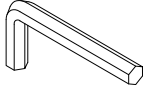
## Loveseat



### Parts List

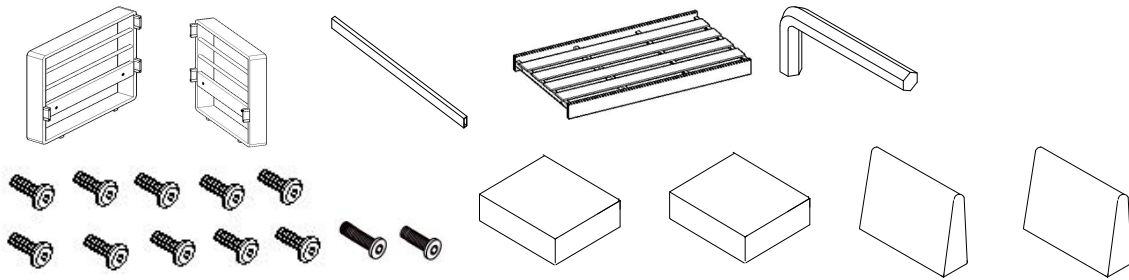
Label	Picture	Description	QTY
A		Right Side Panel	1
B		Left Side Panel	1
C		Back Support Bar	1
D		Seat (Labeled with face and bottom)	1
E		Seat Cushion	2
F		Back Cushion	2

# Hardware

Label	Picture	Description	QTY
①		Bolt(M6*20MM)	5
②		Bolt(M6*25MM)	7
③		Allen Key	1

## Assembly Preparation

Before Beginning Assembly:



- Read instructions, cover to cover-



- Have 2 adults on hand for assembly-



- Do not assemble on flooring or carpet-



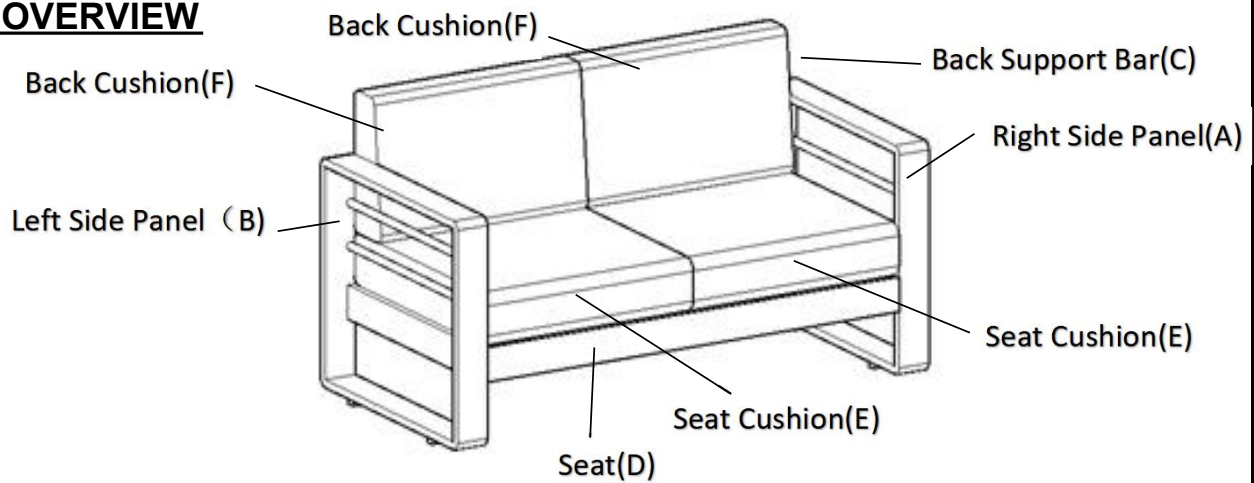
- Assemble on a clean non-marring surface (packing foam)-



- Save all packaging until finished-

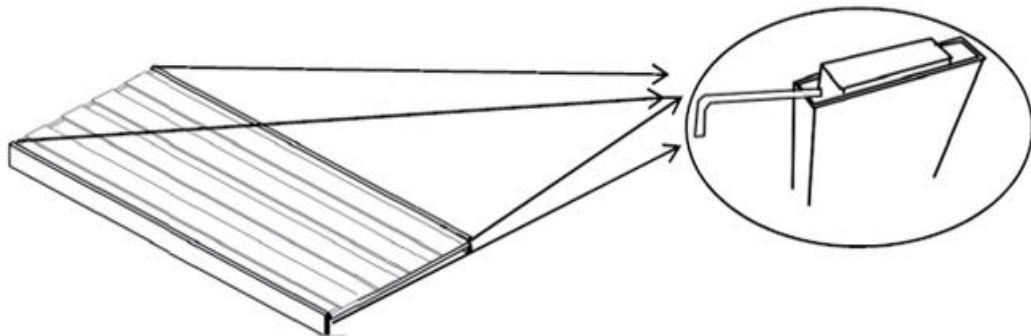
# Assembly Steps

## OVERVIEW



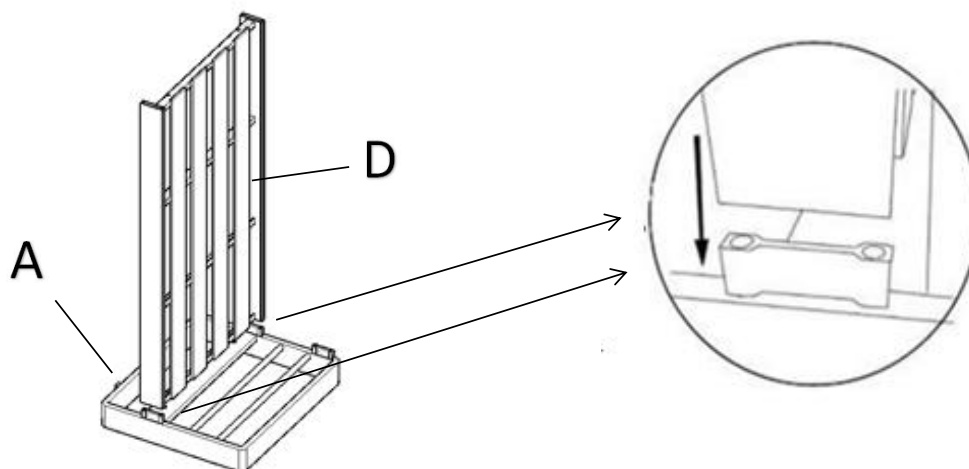
This Loveseat has multiple parts and may require up to 30 minutes to assemble. To give you an overview of the Loveseat parts, the above picture is to help you put the various parts into perspective. Please read through the instructions below to familiarise yourself with the parts and steps before assembly.

## Step 1



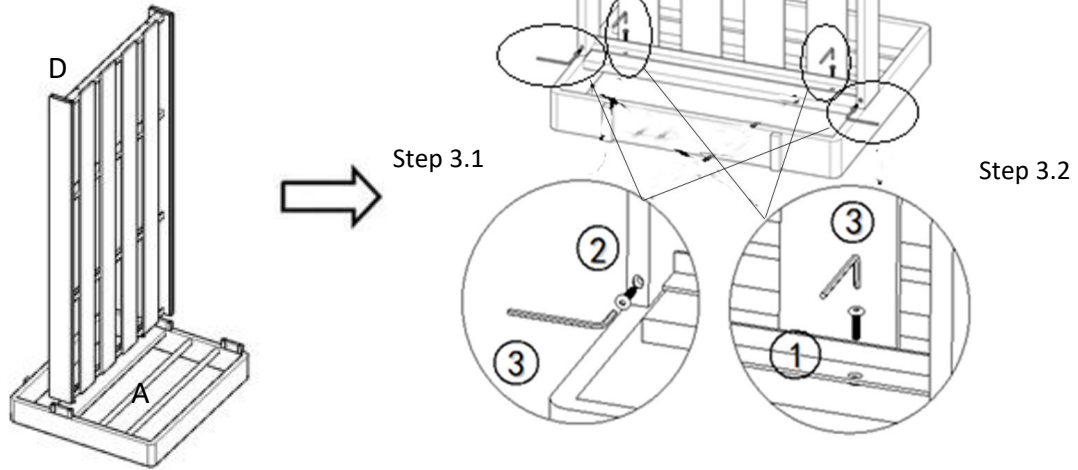
Take out the sliders in the four ends of the Seatboard(D) using the Allen Key(③).

## Step 2



Insert the Seat(D) onto the Side Panel(A), as shown in the picture.

### Step 3

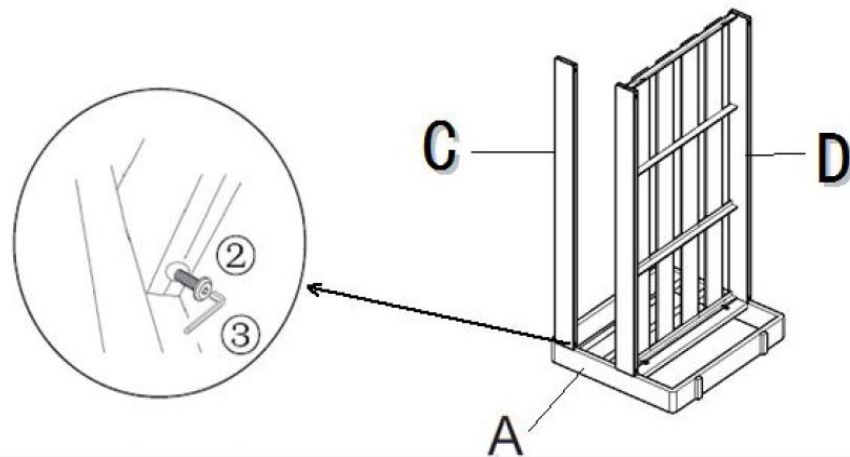


3.1) Attach the Seat (D) and the Left Side Panel (A) using the Bolts (②) with the Allen Key (③) as shown in the picture.

3.2) Attach the Seat (D) and the Left Side Panel (A) using the Bolts (①) with the Allen Key (③) as shown in the picture.

**Loosely tighten the Bolts.**

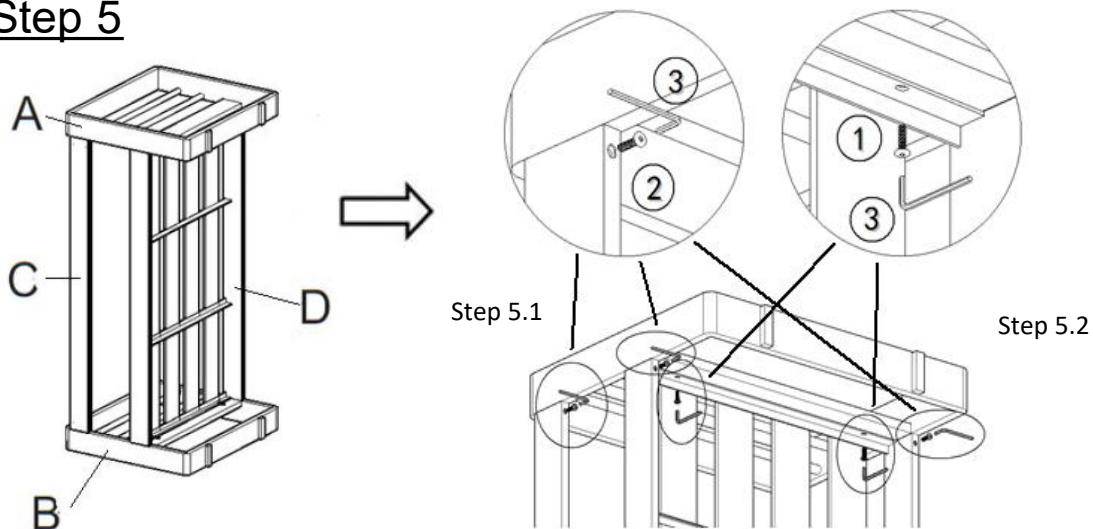
### Step 4



Attach the Back Support Bar (C) to the Side Panel (A) with the Bolts (②) using the Allen Key (③).

**Loosely tighten the Bolts.**

### Step 5



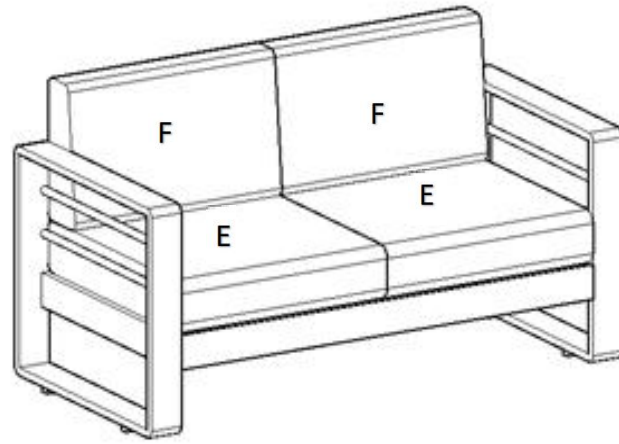
5.1) Attach the Back Support Bar(C) and the Right Side Panel (B) using the Bolts (②) with the Allen Key (③) as shown in the picture.

5.2) Attach the Seat (D) and the Right Side Panel (B) using the Bolts (①), (②) with the Allen Key (③) as shown in the picture.

Place the loveseat upright and test for stability.

Then in a sequential manner, **proceed to fully tighten all Bolts at all joints.**







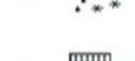



## Step 6



Stand the Loveseat up.

Put the Back Cushions(F) and the Seat Cushions(E) on the Loveseat, and stick the velcro together.  
Your Loveseat is ready for use.

## Care & Maintenance

-  ● Do not put hot items directly on furniture surface
  -  ● Do not clean furniture with harsh cleansers or polish.
  -  ● To obtain the longest lifespan of your outdoor products, minimizing exposure to direct sunlight is recommended.
  -  ● Children should not climb or jump on the furniture.
  -  ● Do not write on furniture without a padded barrier to protect the surface.
  -  ● To obtain the longest lifespan of your outdoor products, avoid extended and lengthy exposure to rain, snow, and direct sunshine. Whenever possible cover the product and /or place under patio or awnings.
  -  ● Not for commercial use. For residential use only .
  -  ● Stains may be removed with mild soap solution and damp cloth.
  -  ● Keep away from sources of ignition.
- 
-  ● Dust and pick-up spills using a clean, non-colored, lint-free cloth.