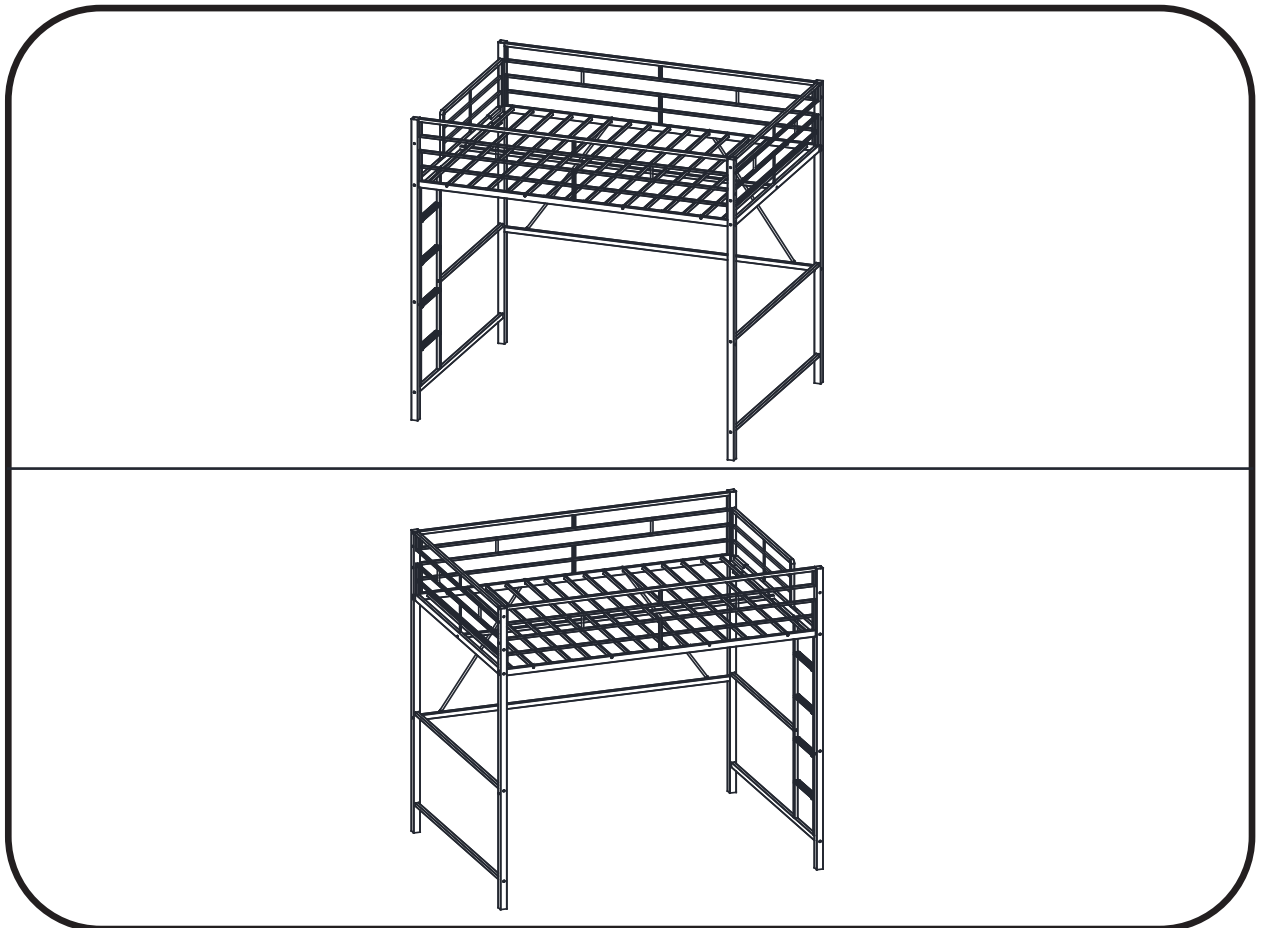




Assembly manual

Loft Bed with Storage



Thank you for your purchase.

If you have difficulty with assembly or find a part is missing or damaged, please don't hesitate to contact us for solution. Here is how we can connect:

Email: support@vingli.com

Please attach your Order ID so we can assist you better

Introduction

●Guide of Manual

Please read the following instruction carefully and use the product properly.

Please keep this manual and hand it over when you transfer the product.

This summary may not include every detailed information of all variations and considered steps. Please contact us when further information and help needed.

●Before Starting

Recommend no. of people needed for assembly:4-5

Read each section carefully before starting. It is very important that each step is performed in the correct order. If these steps are not followed in sequence, assembly difficulties will occur.

Make sure all parts are included. Most board parts are labeled or stamped on the raw edge.

Please assemble the product according to the steps on the diagram strictly. Do not fully tighten the screws until all pieces are situated in place.

For continued use, it's suggested you regularly check the tightness of bolts and connections to ensure safety.

Work in spacious area, preferably on a carpet, near the place the unit will be

●Warning

Keep all accessories and packaging of this product away from babies, children and pets as they potentially







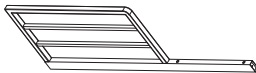
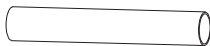




The units contains small parts which could be a choking hazard for small children. Children should be under adult supervision at all times or serious injury could occur.

Do not put the product in a humid environment for a long time to prevent mildew.



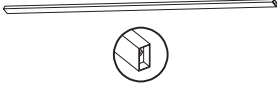



Keep the product away from sharp objects and corrosive chemicals to avoid damage.

Assembly Steps

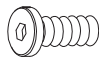
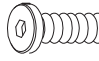
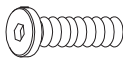
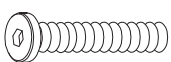
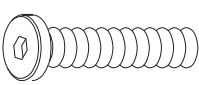

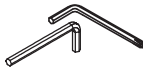
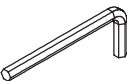



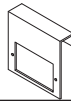
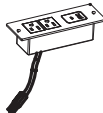
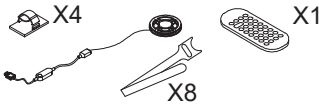


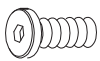
COMPONENTS

NO.	DESCRIPTION		DIMENSION	QTY
1	Left Leg Post		1830*40*40	2pcs
2	Right Leg Post		1830*40*40	2pcs
3	Upper Long Guardrail A		1900*113*20	2pcs
4	Bottom Long Guardrail B		1900*226*22	2pcs
5	Upper Short Guardrail A		1370*113*20	1pc
6	Bottom Short Guardrail B		1370*226*20	1pc
7	Entrance Guardrail C		1370*323*20	1pc
8	Short Guardrail Connecting Tube		80*13	6pcs
9	Ladder Leg Post		1226*38*37	2pcs
10	Pedal		294*42*15	4pcs
11	Ladder Middle Connecting Bar		1005*30*20	1pc
12	Ladder Base Connecting Bar		1370*30*20	1pc

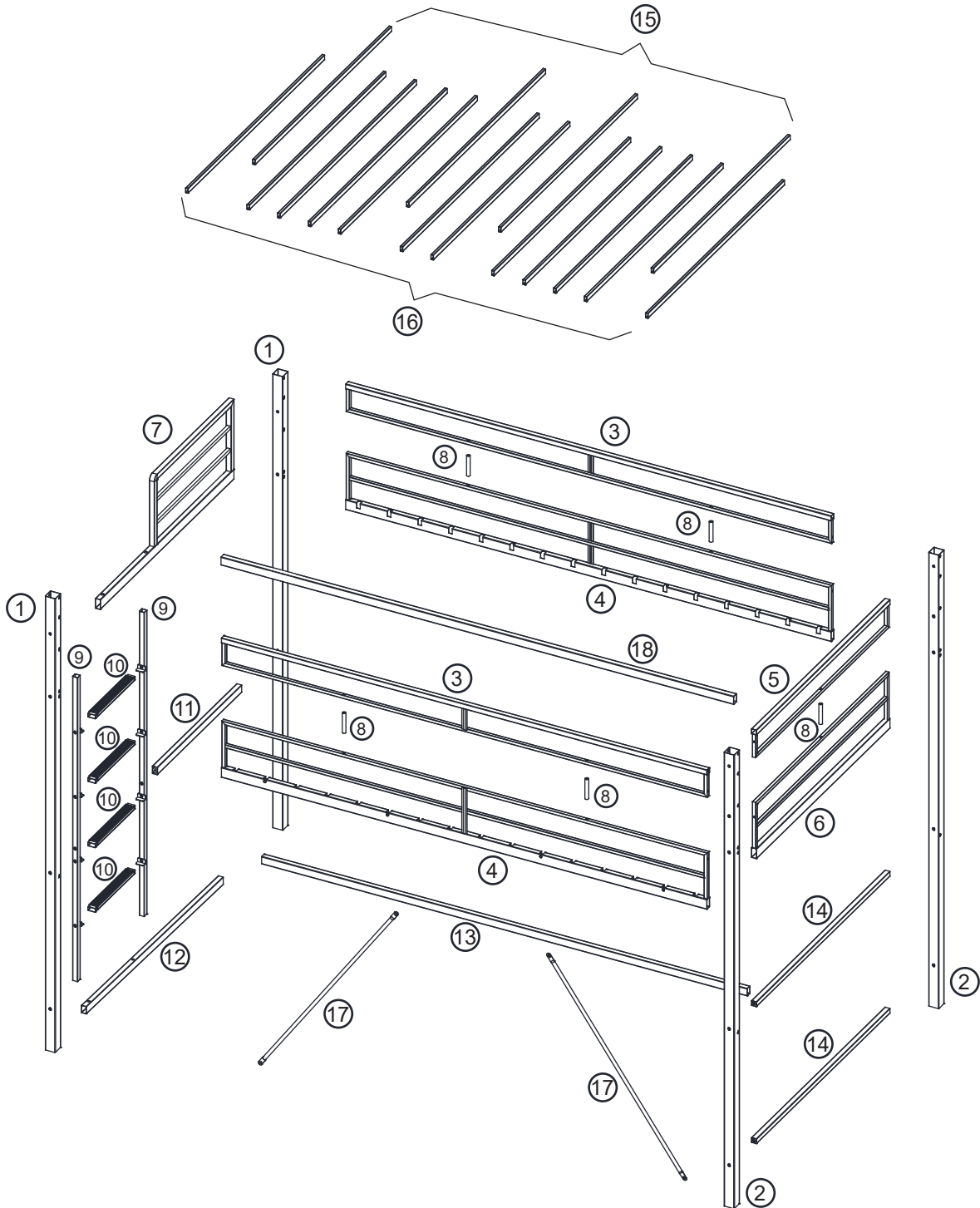
COMPONENTS

NO.	DESCRIPTION		DIMENSION	QTY
13	Long Desk Top Support Bar		1900*30*20	1pc
14	Top Side Shelf Support Bar		1370*20*20	2pcs
15	Slat with Nuts		1392*20*10	4pcs
16	Slat		1392*20*10	12pcs
17	Oblique tie rod		934*13	2pcs
18	Support rod		1920*40*20	1pcs

COMPONENTS

NO.	DESCRIPTION		DIMENSION	QTY
A	Screws		M6*28	24pcs+3
B	Screws		M6*40	9pcs+1
C	Screws		M6*50	13pcs+1
D	Screws		M6*60	13pcs+2
E	Screws		M8*60	18pcs+2
F	Spacer		φ 9*18	14pcs+2
G	Allen Key		M4	2pcs
H	Allen Key		M5	2pcs
I	Wall Mount Bracket			2pcs
J	Screws		M4*40	2pcs+1
K	Plastic Expand Tube			2pcs+1
L	Socket Fixer			1pc
M	Socket for Top Bunk			1pc
N	LED Light Strip			1pc
O	Screws		M4*10	2pcs+1
P	EVA			1pc
Q	Screws		M6*15	2pcs+1

Assembly Steps



Assembly Steps

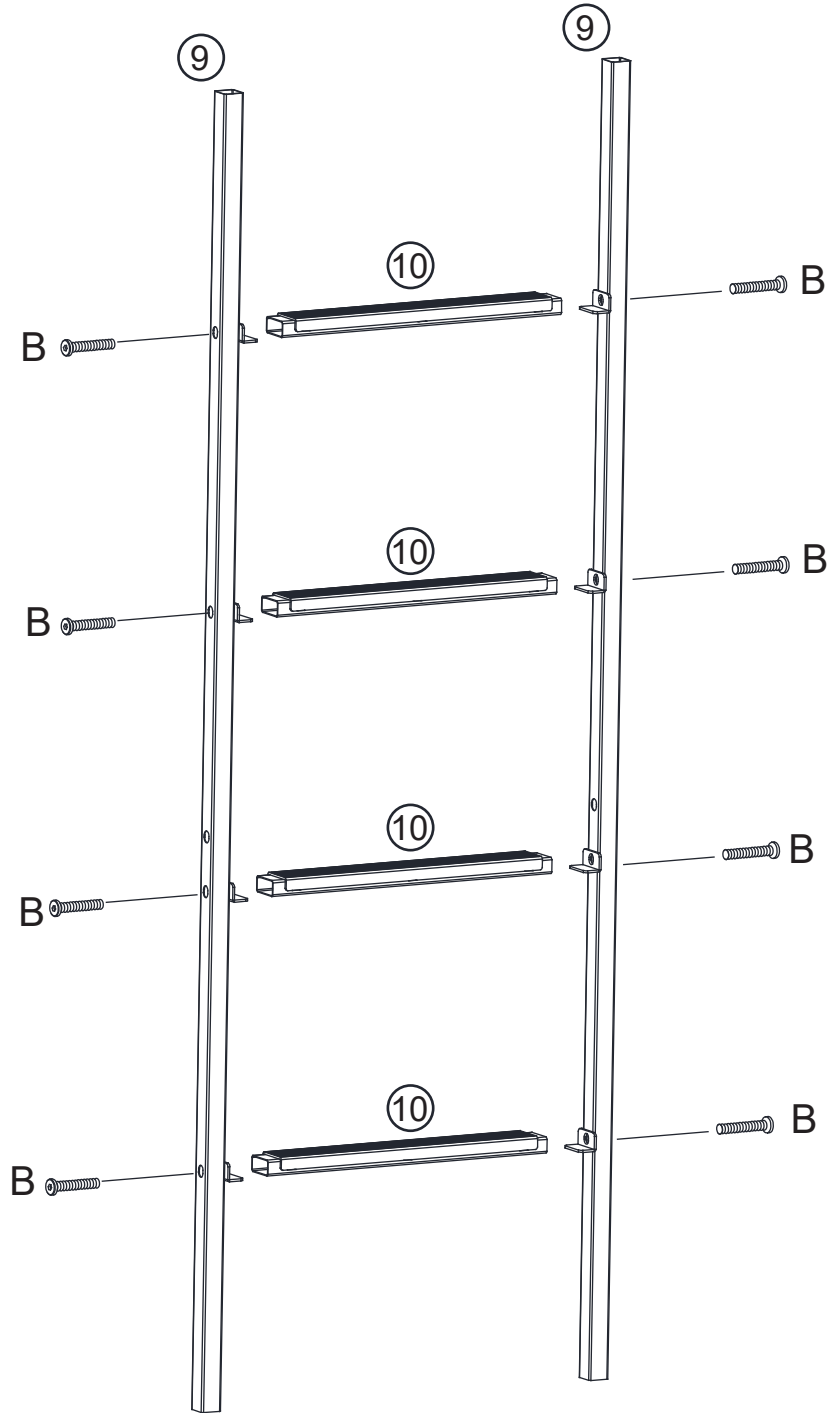
B



M6×40






8PCS

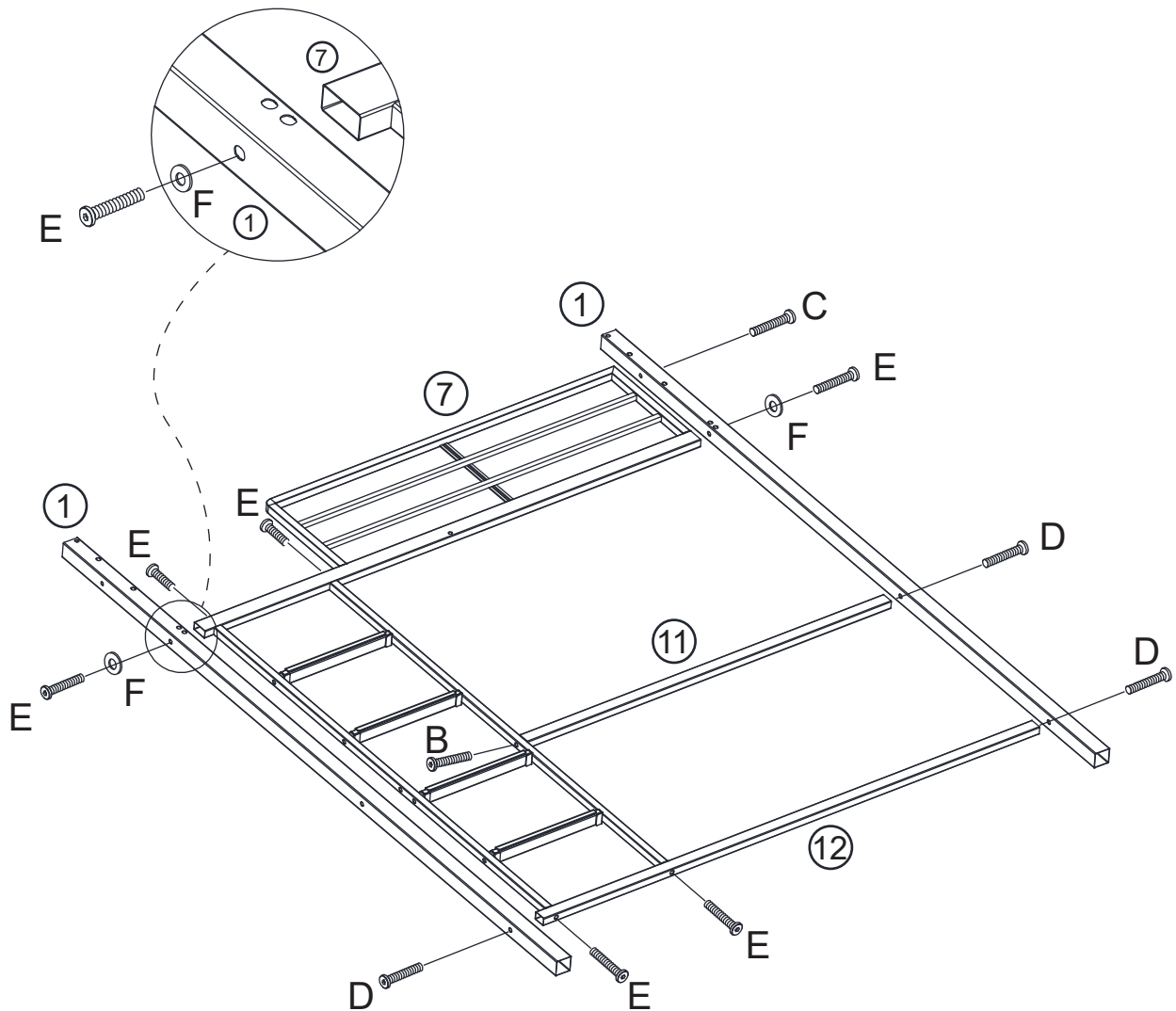
STEP 1



Connect part 9 and part 10 with screw B.

STEP 2





B  M6×40 1PC	C  M6×50 1PC	D  M6×60 3PCS	E  M8×60 6PCS	F  φ 9×18 2PCS
---	---	---	--	---

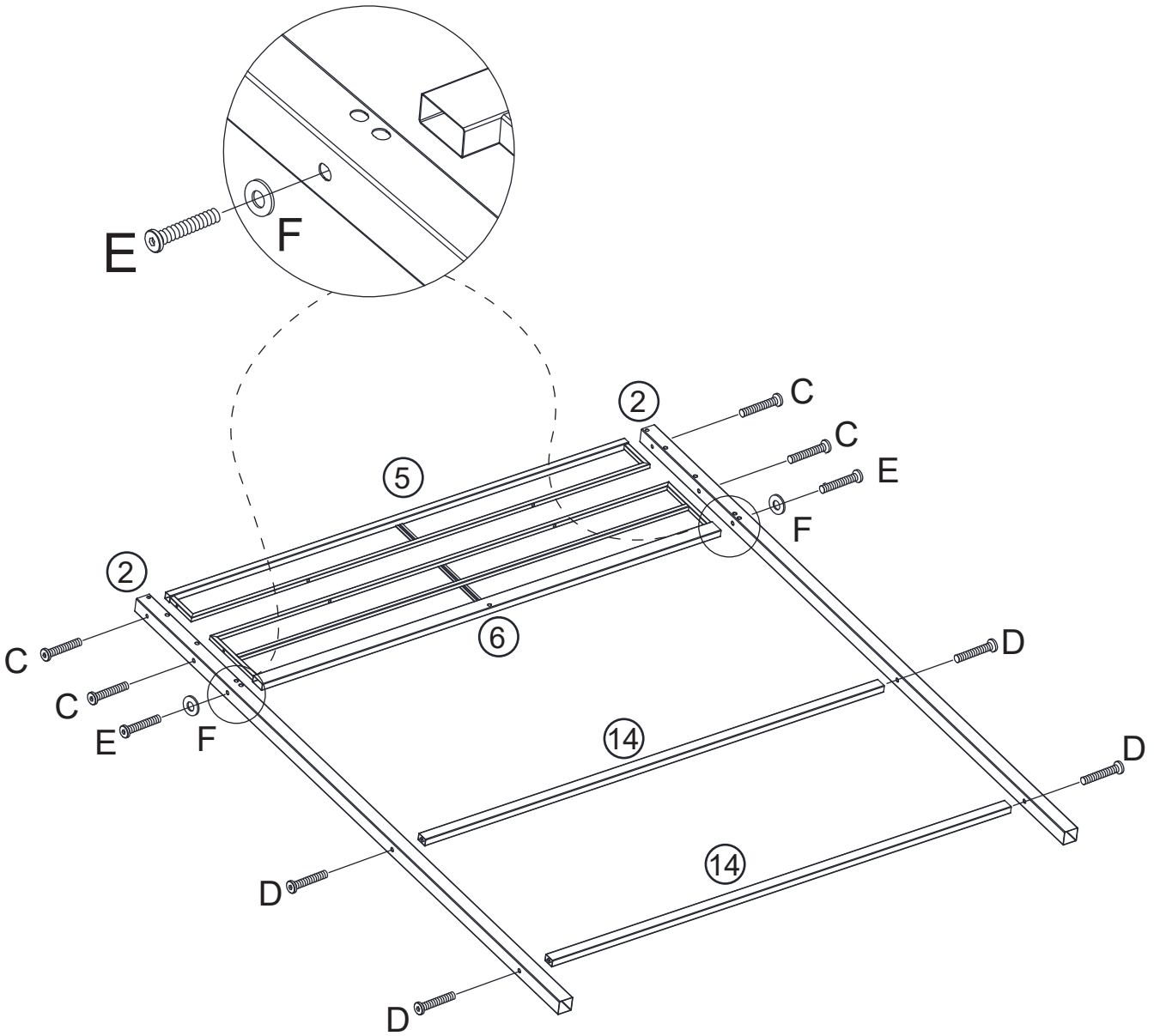


Connect part 7.9.11.12 and part 1 with screw B.C.D.E and gasket F.

- Notice: 1.Attention to the hole direction on each parts as figure shows
2.Do not fully tight until the last step




STEP 3

C  M6×50 4PCS	D  M6×60 4PCS	E  M8×60 2PCS	F  φ 9×18 2PCS
--	---	--	---

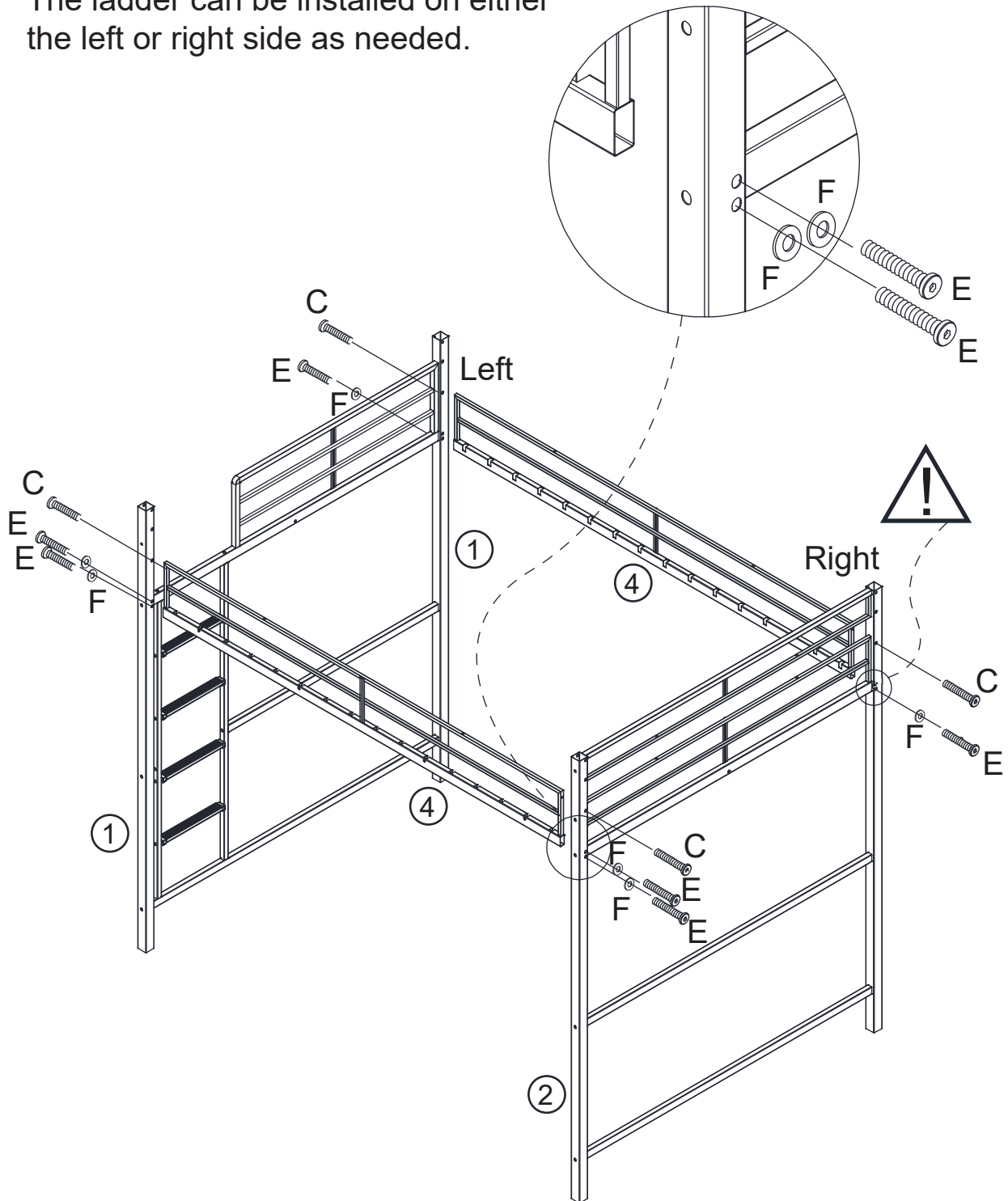


Connect part 5.6.14 and part 2 with screw C.D.E and gasket F.

STEP 4

C  M6×50 4PCS	E  M8×60 6PCS	F  φ 9×18 6PCS
---	--	---

The ladder can be installed on either the left or right side as needed.



Connect part 4 and part 1.2 with screw C.E and gasket F.

- Notice: 1.Attention to the hole direction on each parts as figure shows
2.Do not fully tight until the last step

STEP 5

C



M6×50

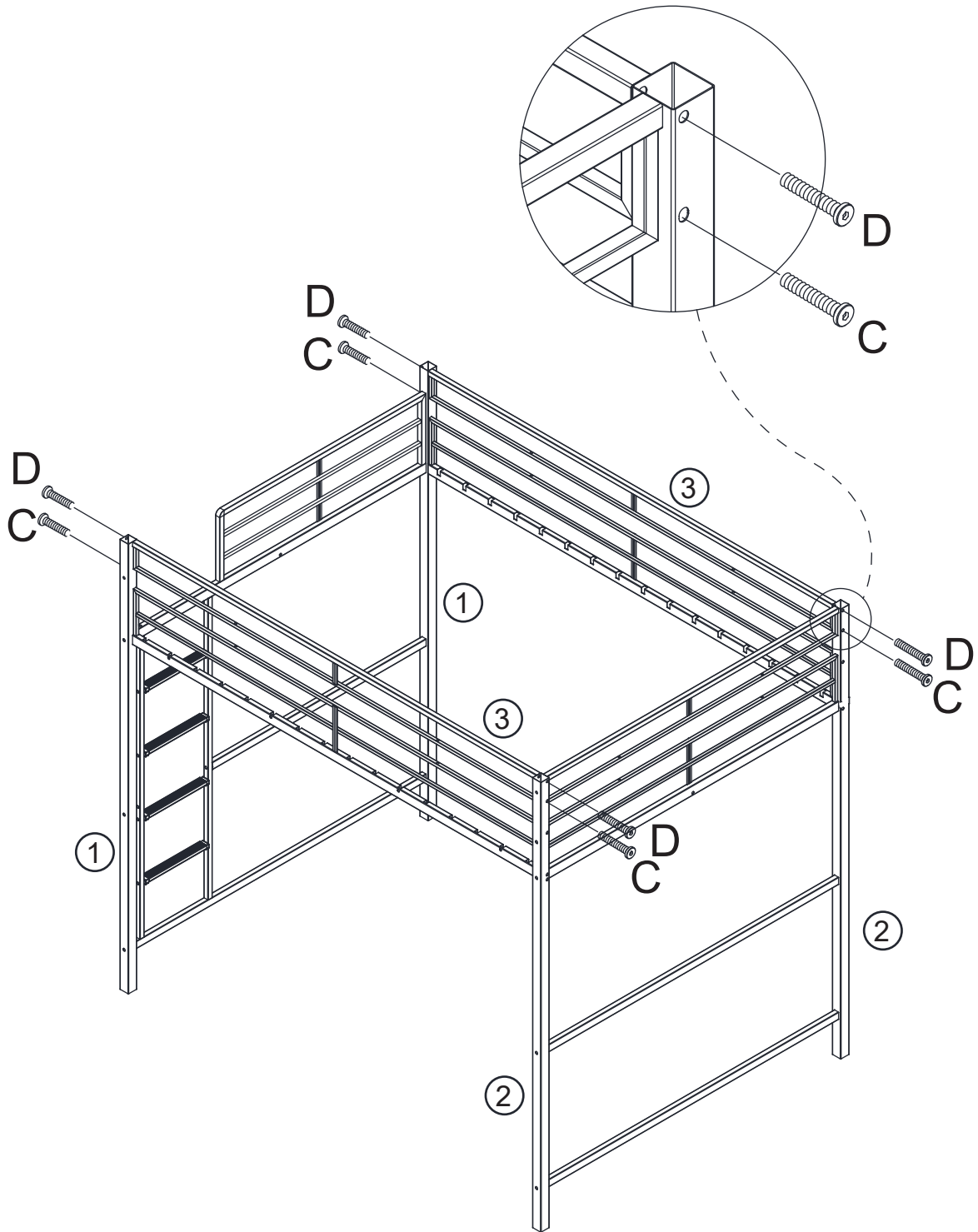
4PCS

D



M6×60

4PCS



Connect part 3 and part 1.2 with screw C.D.

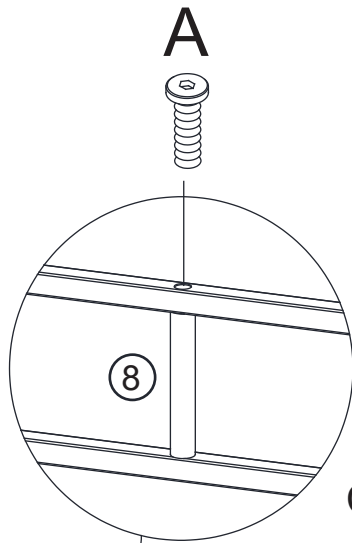
STEP 6

A

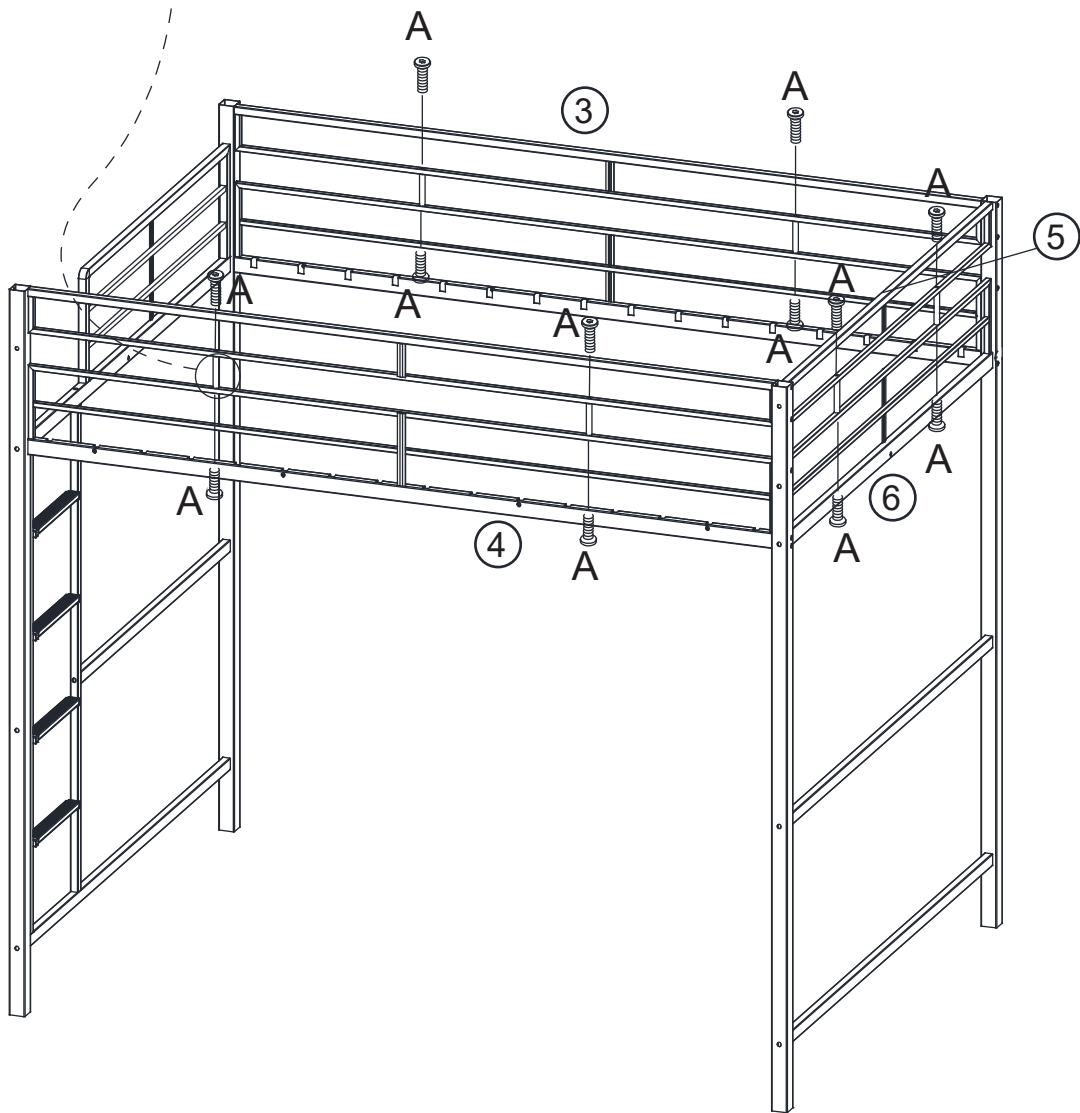


M6x28



12PCS



Connect part 3.4.5 and part 6 with screw A.

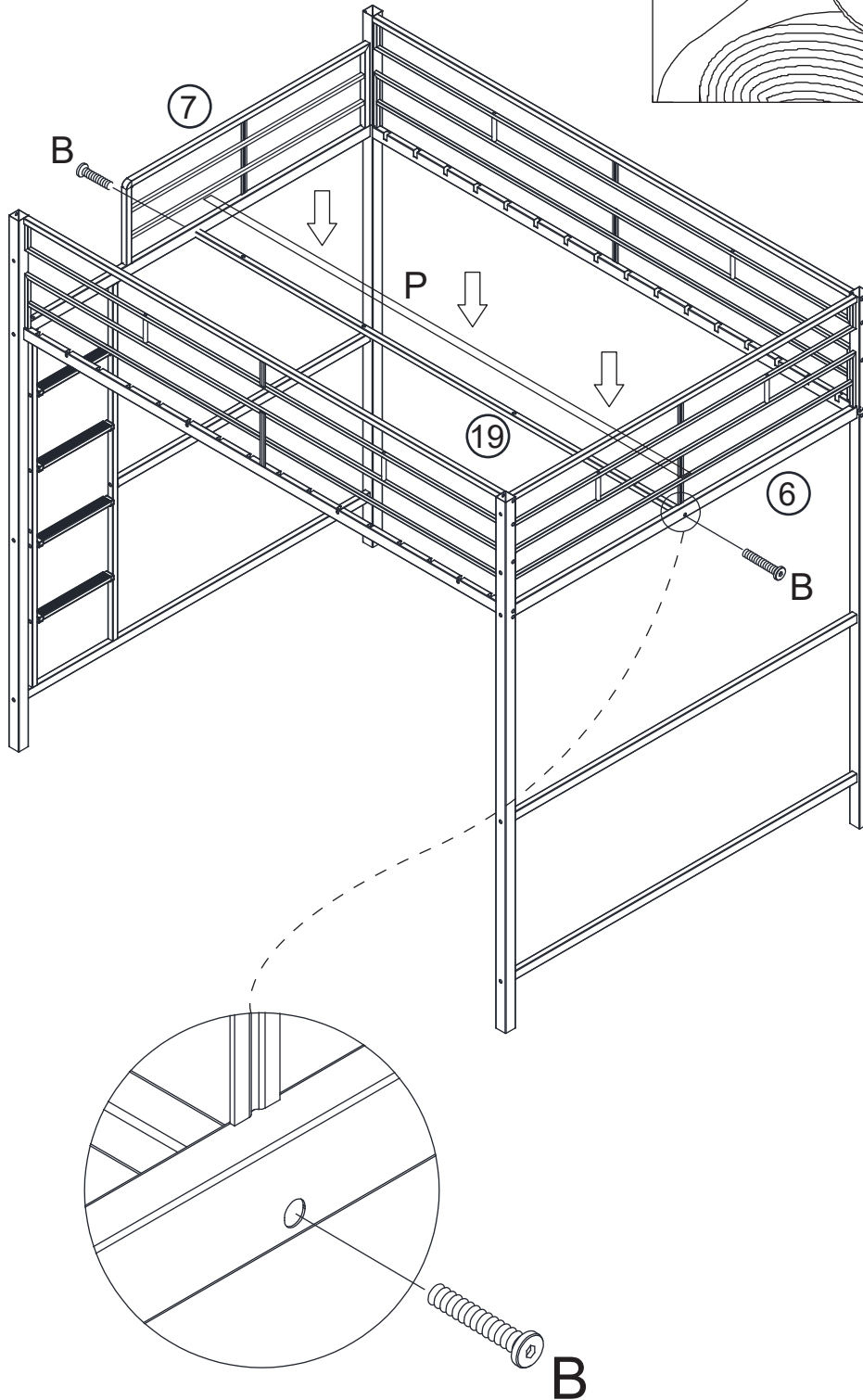
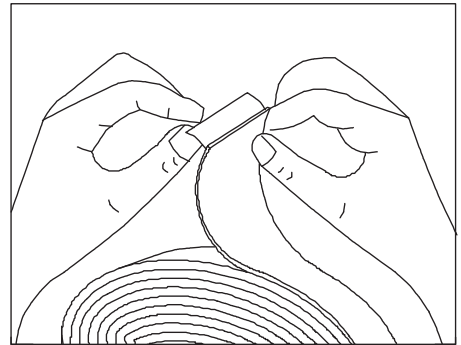


STEP 7

P  1PC	B  M6x40 2PCS
--	--

Connect part 19 and part 6.7 with screw B

Remove the tape on the back of the P accessory and stick it onto component (19)



STEP 7

D

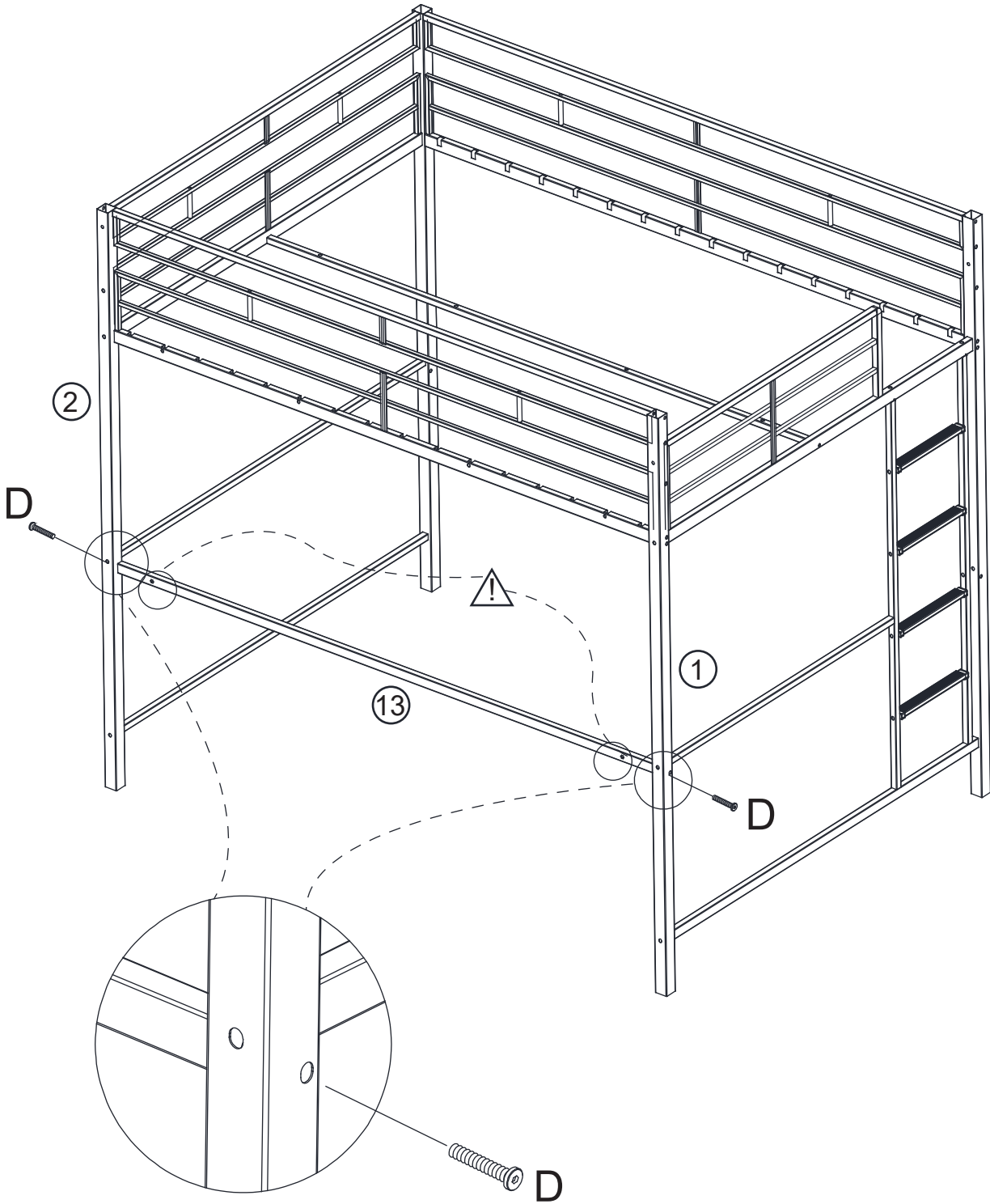


M6×60

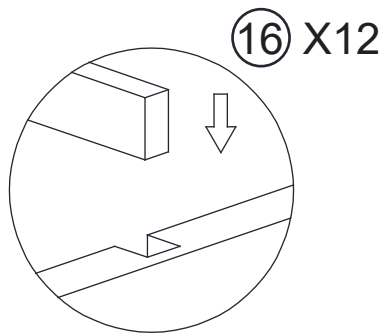
2PCS

Connect part 13 and part 1.2 with screw D

Notice: 1.Attention to the hole direction on each parts as figure shows
2.Do not fully tight until the last step



STEP 8



Put on slat with nut(16) on the gap with hole



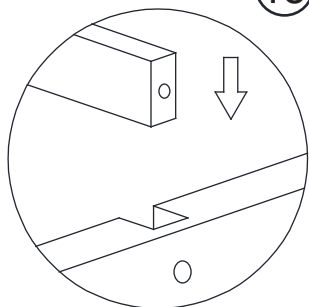
STEP 9

The assembly effect of Component No. 16

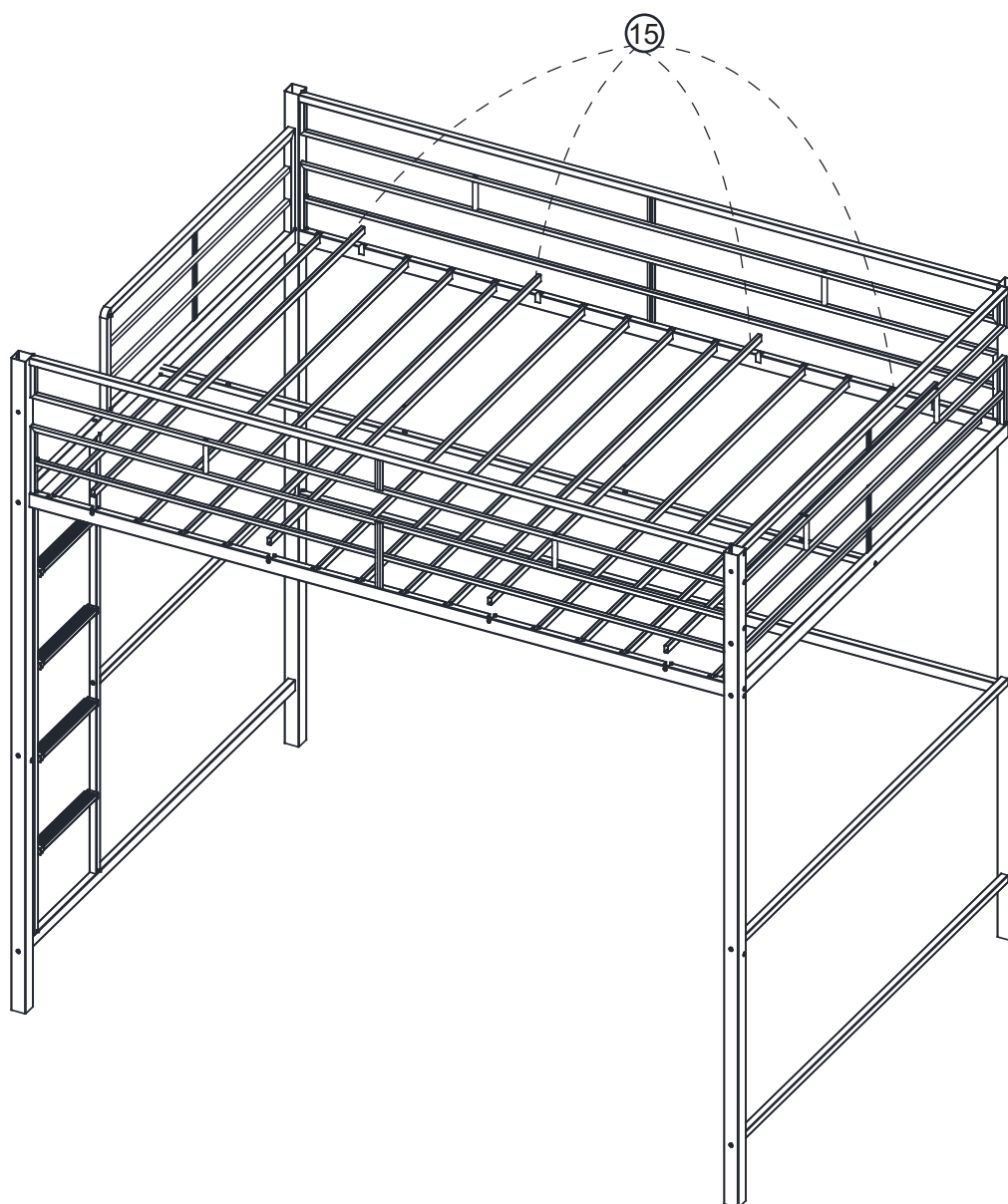


STEP 10

⑮ X4



Put on slat with nut(15) on the gap with hole



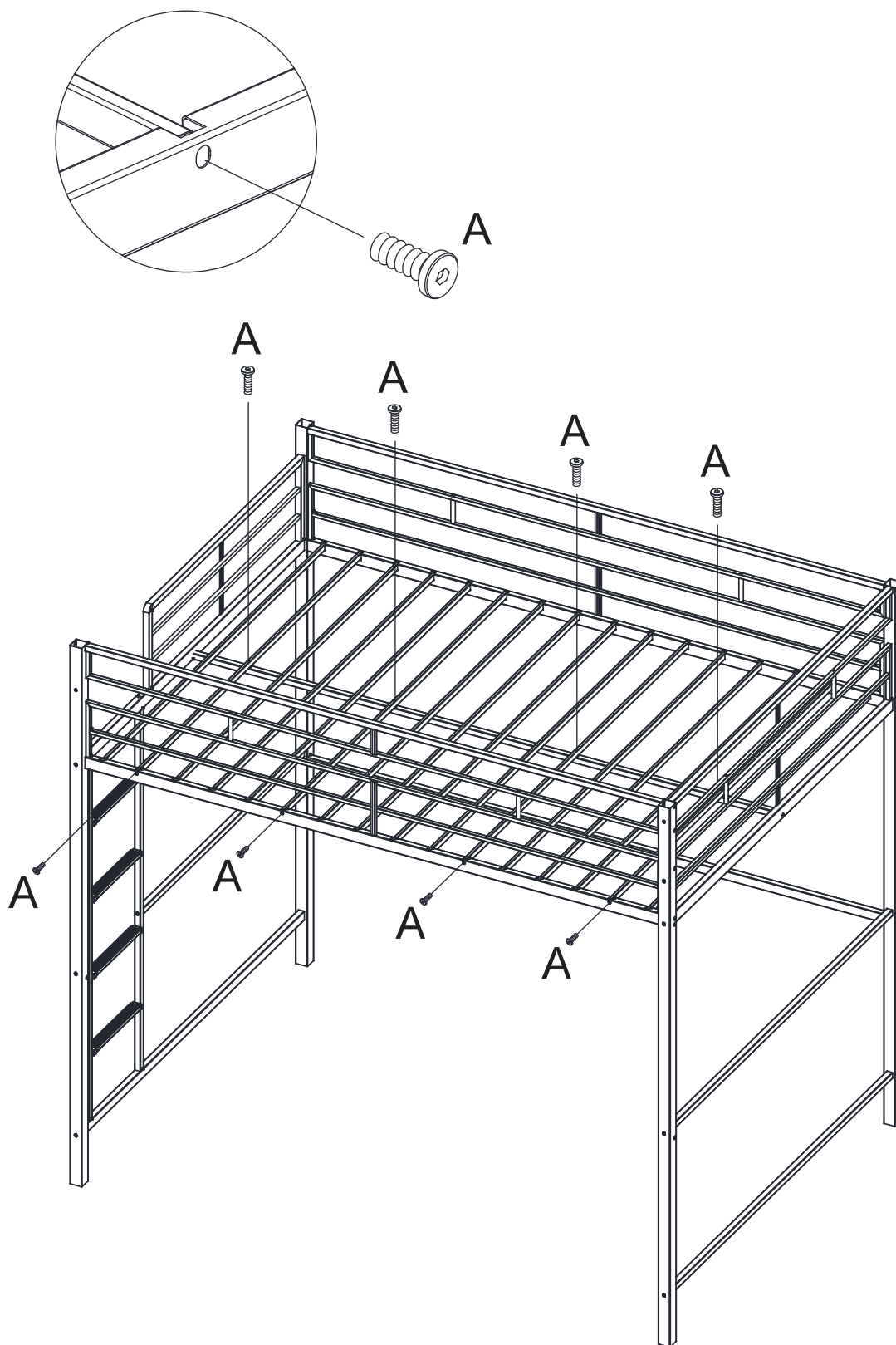
STEP 11

A



M6×30

8PCS



Fix slat with nut(15) with Screw(A)

STEP 12

A



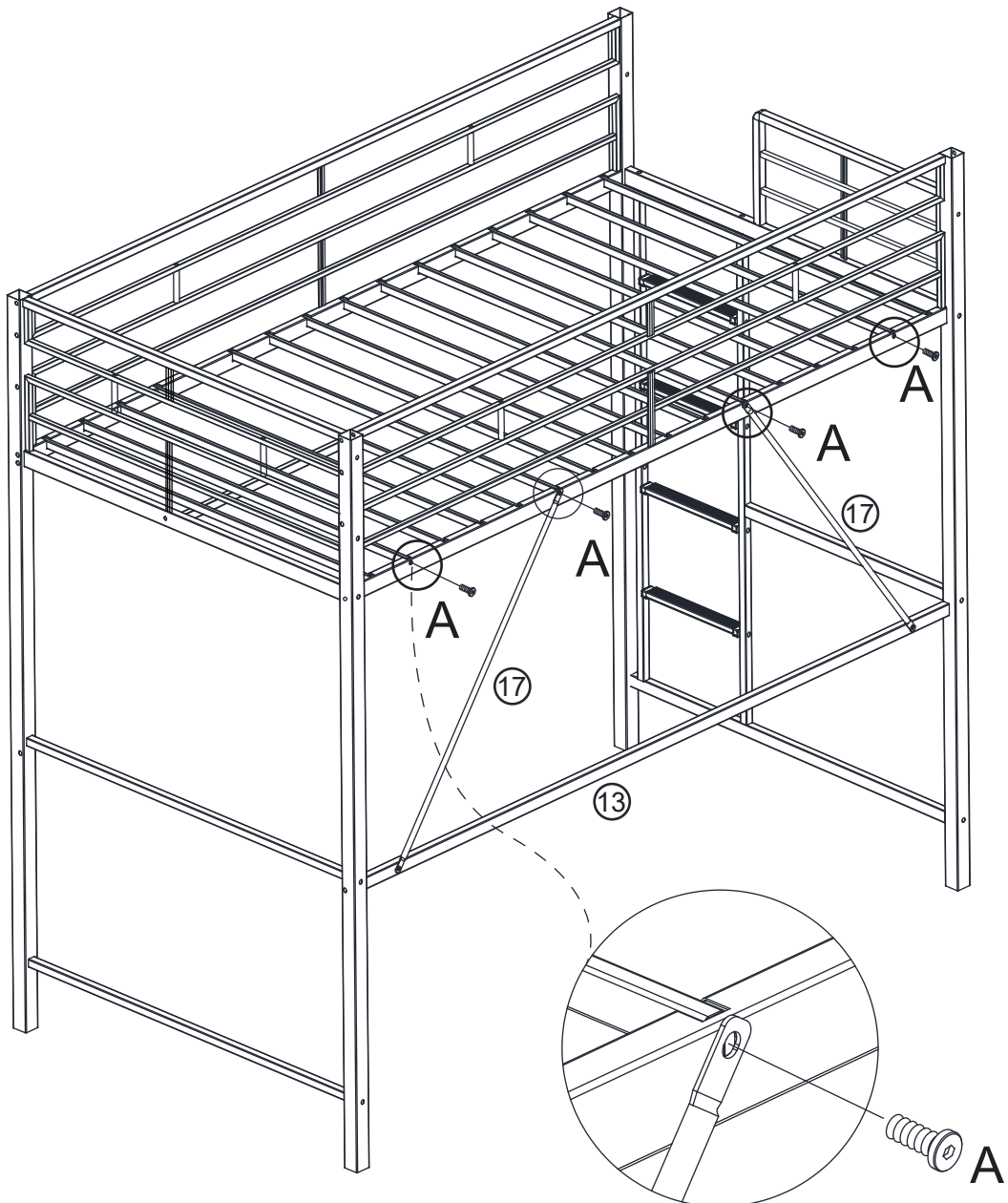
M6x30

4PCS

⚠ **WARNING:** To help prevent serious or fatal injuries from entrapment or falls: *Never allow a child under 6 years on upper bunk, * Use only mattress which is 74"-75" long and 53" - 54" wide on upper bunk, *Ensure thickness of mattress and foundation combined does not exceed 10" and mattress is at least 5" below upper edge of guardrails, * Use guardrails on both sides of upper bunk, *Prohibit horseplay on or under bed(s), * Prohibit more than one person on upper bunk, *Use ladder for entering and leaving bunk, ***STRANGULATION HAZARD** -Never attach or hang items to any part of the bunk bed that are not designed for use with the bed; for example, but not limited to, hooks, belts, belts and jump ropes, **DO NOT REMOVE THIS LABEL**

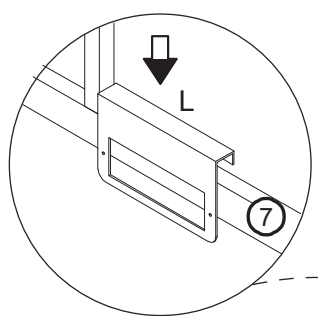
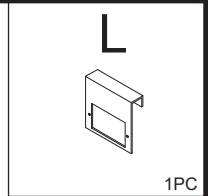
Connect part 17 and part 4 with screw A.

Connect part 17 and part 13 with screw P.

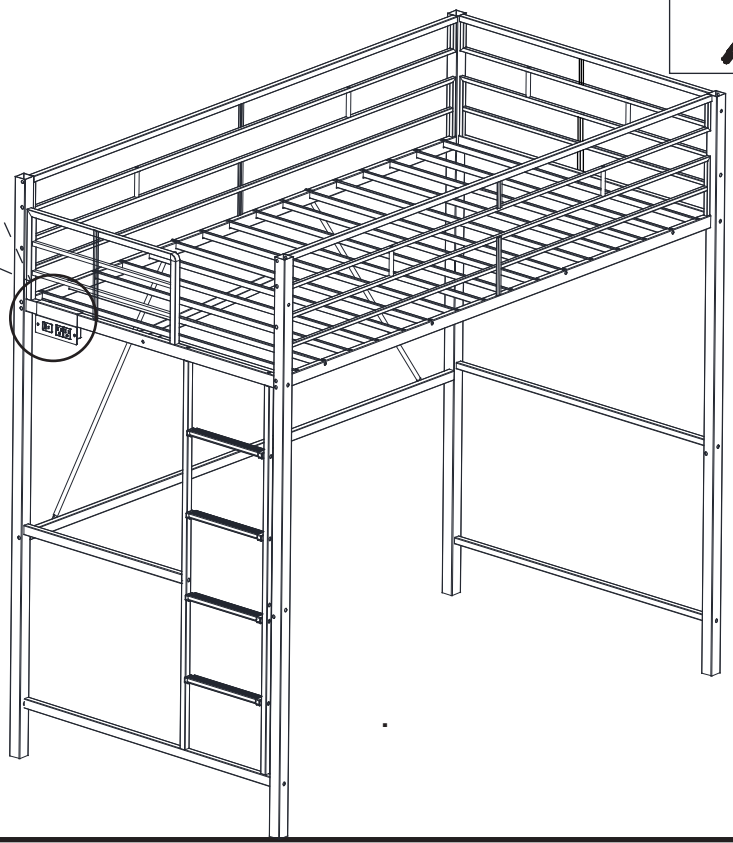
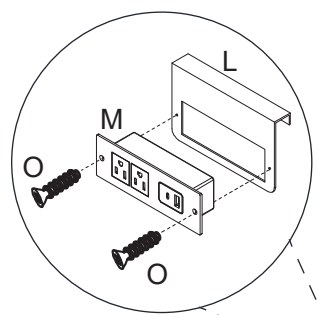
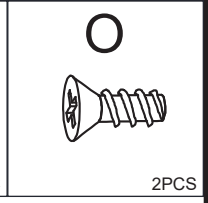
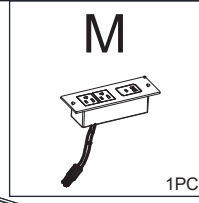


STEP 13

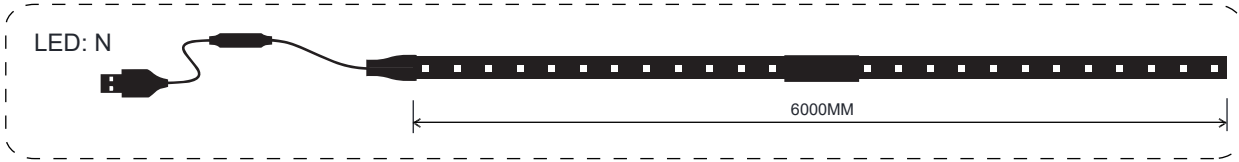
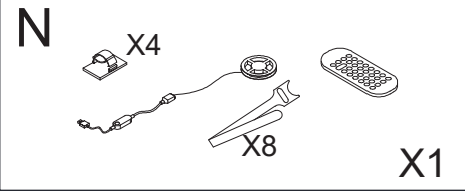
Hang metal panel L on part 7



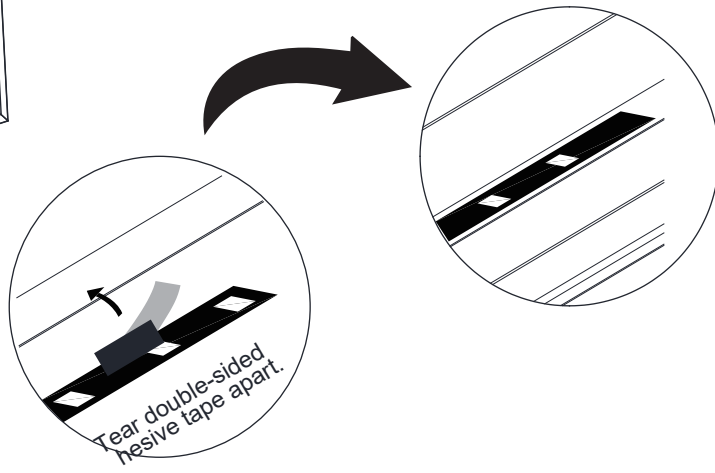
Put socket M on the metal panel L and fix with screw O



STEP 14

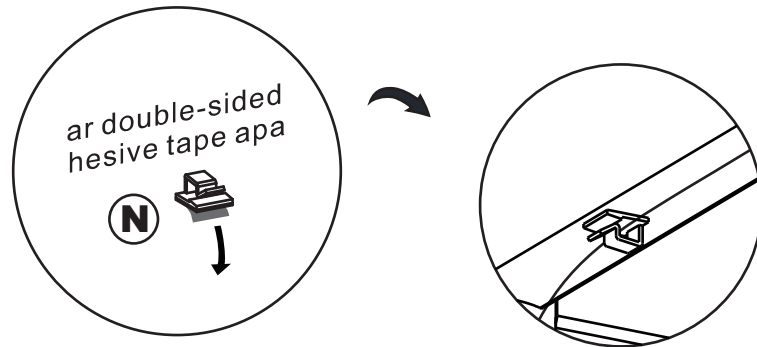


Stick the LED Light strip on the place you want, and then connect to the back USB port of Socket(M)

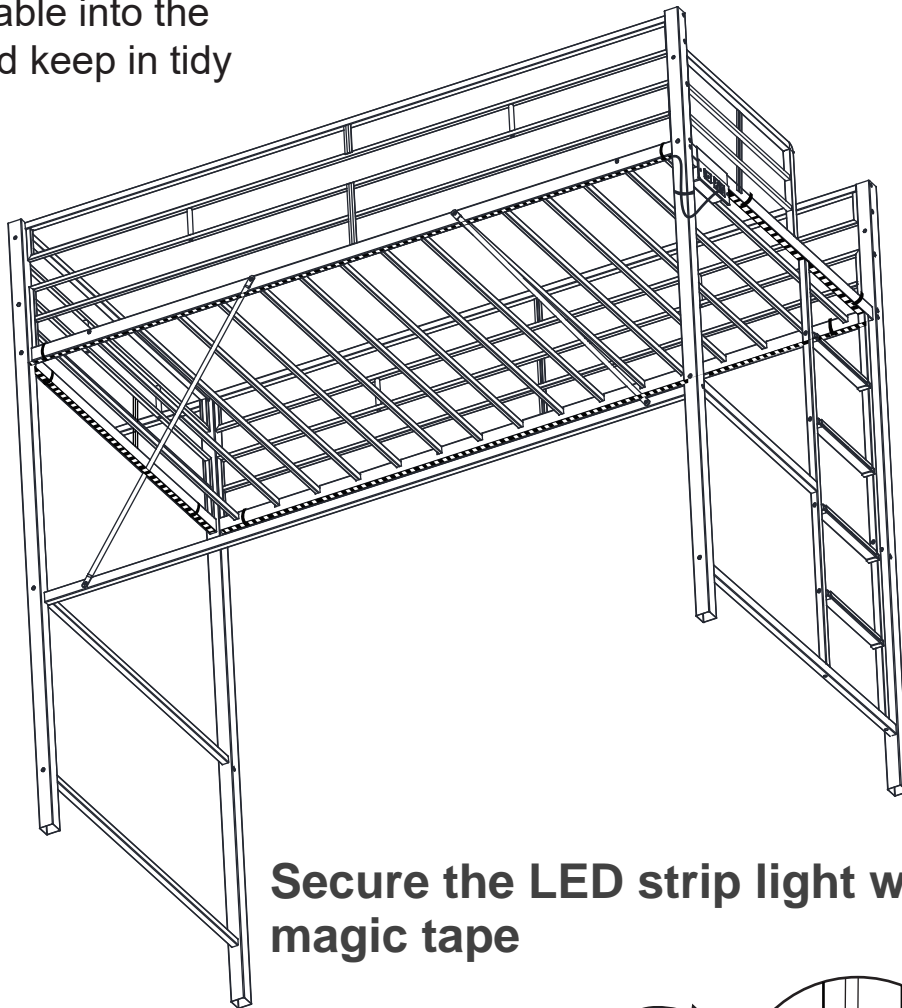


⚠ WARNING	
<ul style="list-style-type: none"> • INGESTIONHAZARD: This product contains a button cell or coin battery. • DEATH or serious injury can occur if ingested. • A swallowed button cell or coin battery can cause Internal Chemical Burns in as little as 2 hours. • KEEP new and used batteries OUT OF REACH of CHILDREN. • Seek immediate medical attention if a battery is suspected to be swallowed or inserted inside any part of the body. 	
⚠ WARNING	
<ul style="list-style-type: none"> • INGESTIONHAZARD: This product contains a button cell or coin battery. • DEATH or serious injury can occur if ingested. • A swallowed button cell or coin battery can cause Internal Chemical Burns in as little as 2 hours. • KEEP new and used batteries OUT OF REACH of CHILDREN. • Seek immediate medical attention if a battery is suspected to be swallowed or inserted inside any part of the body. 	

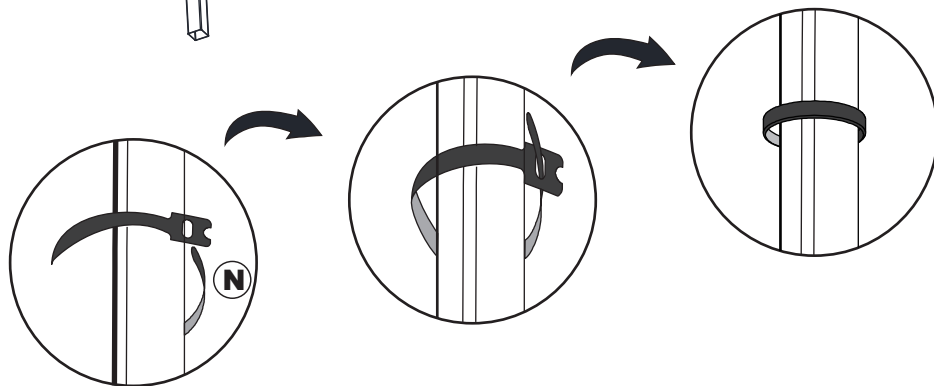
STEP 15







Put the cable into the clamp and keep in tidy



Secure the LED strip light with magic tape

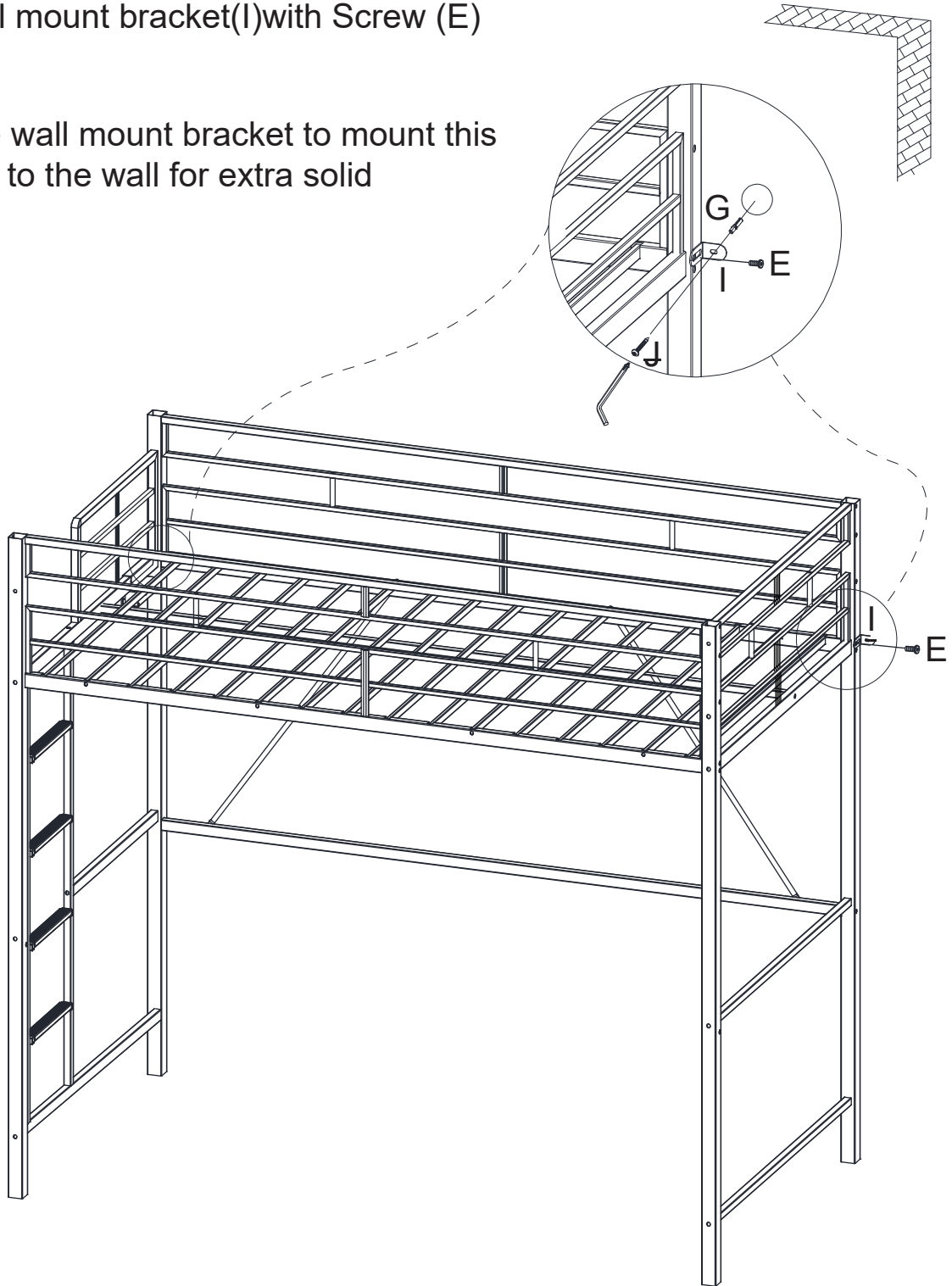


STEP 16

E  M8x60 1PC	I  2PCS	G  2PCS	J  2PCS
---	--	---	---


Wall mount bracket(I)with Screw (E)

Use wall mount bracket to mount this bed to the wall for extra solid



Safety Warnings

1. Follow the information on the warnings appearing on the upper bunk end structure and on the carton. Do not remove warning label from bed.
2. Always use the recommended size mattresses or mattress supports, or both, to help prevent the likelihood of entrapment or falls.
3. Surface of mattress must be at least 5 in. (127 mm) below the upper edge of guardrails.
4. Do not allow children under 6 years of age to use the upper bunk.
5. Periodically check and ensure that the guardrail, ladder, and other components are in their proper position, free from damage, and that all connectors are tight.
6. Do not allow horseplay on or under the bed and prohibit jumping on the bed.
7. Always use the ladder for entering and leaving the upper bunk.
8. Do not use substitute parts. Contact the manufacturer or dealer for replacement parts.
9. Use of a night light may provide added safety precaution for a child using the upper bunk.
10. Always use guardrails on both long sides of the upper bunk. If the bunk bed will be placed next to the wall, the guardrail that runs the full length of the bed should be placed against the wall to prevent entrapment between the bed and wall.
11. The use of water or sleep flotation mattresses is prohibited.
12. **STRANGULATION HAZARD** - Never attach or hang items to any part of the bunk bed that are not designed for use with the bed; for example, but not limited to, hooks, belts and jump ropes.
13. Keep these instructions for future reference.

⚠ WARNING	
<ul style="list-style-type: none">• INGESTION HAZARD: This product contains a button cell or coin battery.• DEATH or serious injury can occur if ingested.• A swallowed button cell or coin battery can cause Internal Chemical Burns in as little as 2 hours.• KEEP new and used batteries OUT OF REACH of CHILDREN• Seek immediate medical attention if a battery is suspected to be swallowed or inserted inside any part of the body.	
⚠ WARNING	
<ul style="list-style-type: none">• INGESTION HAZARD: This product contains a button cell or coin battery.• DEATH or serious injury can occur if ingested.• A swallowed button cell or coin battery can cause Internal Chemical Burns in as little as 2 hours.• KEEP new and used batteries OUT OF REACH OF CHILDREN• Seek immediate medical attention if a battery is suspected to be swallowed or inserted inside any part of the body.	