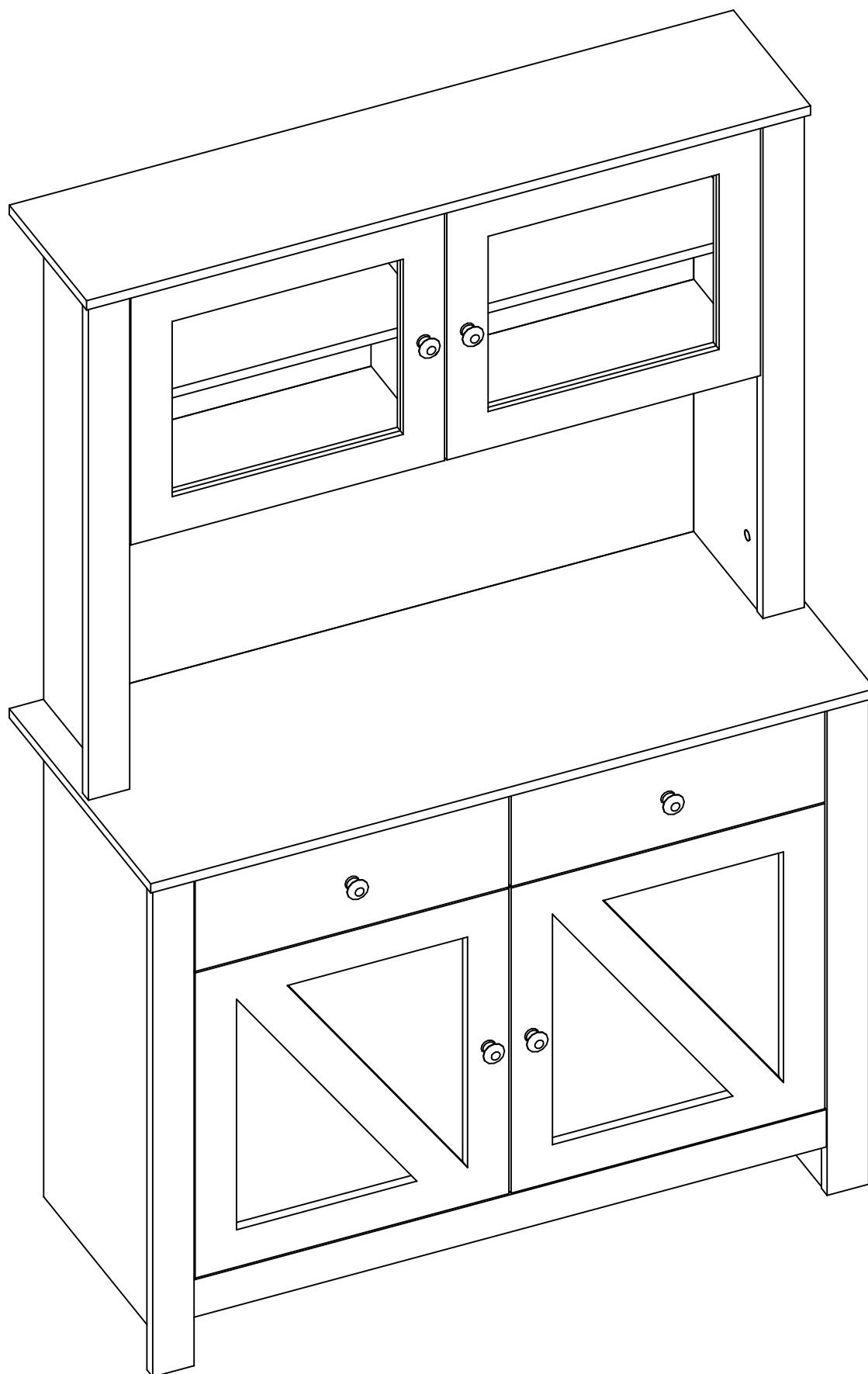
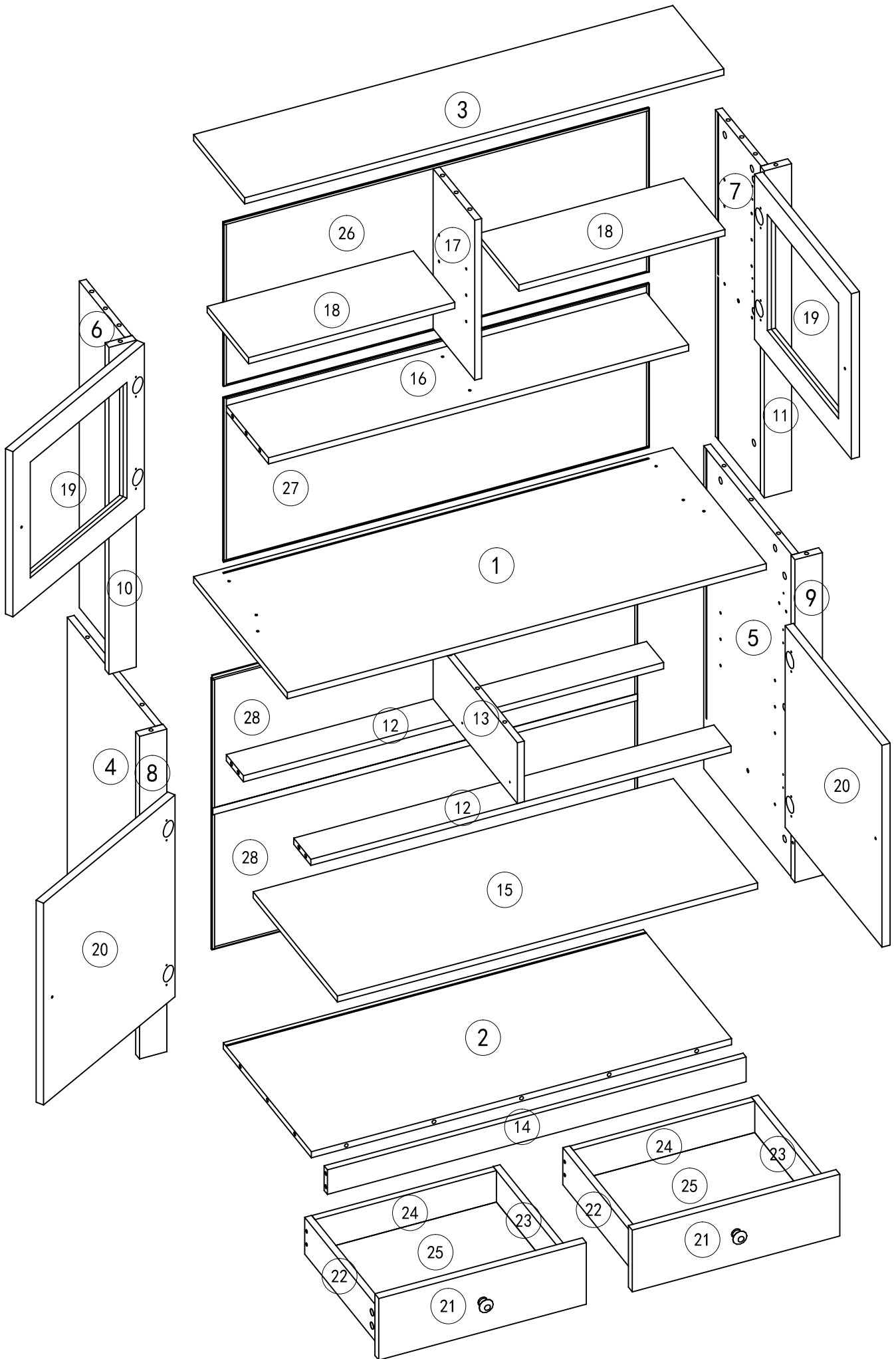
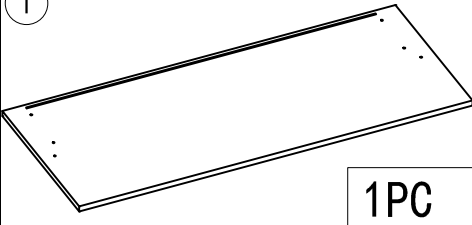
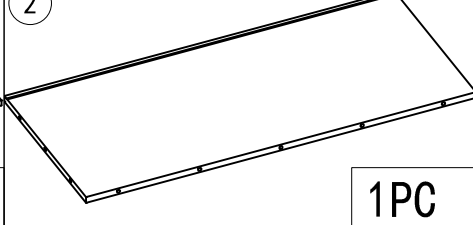
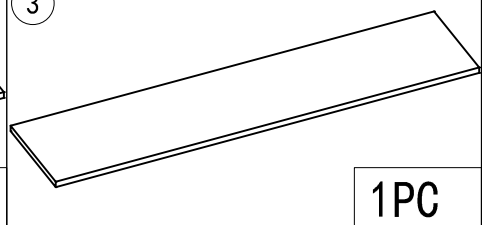
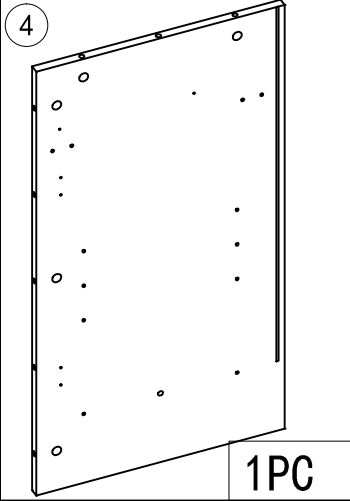
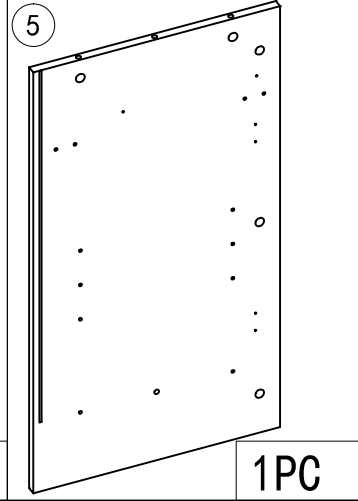
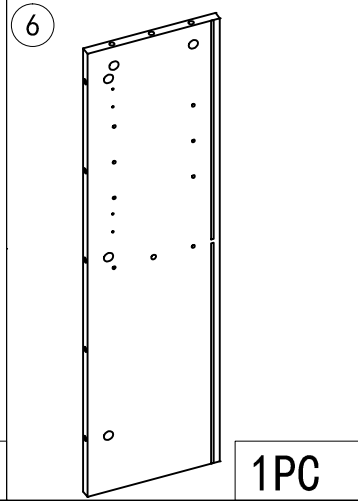
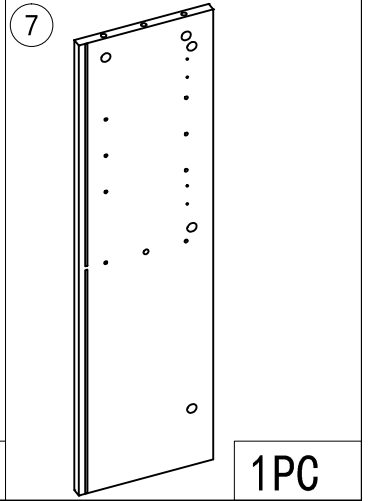
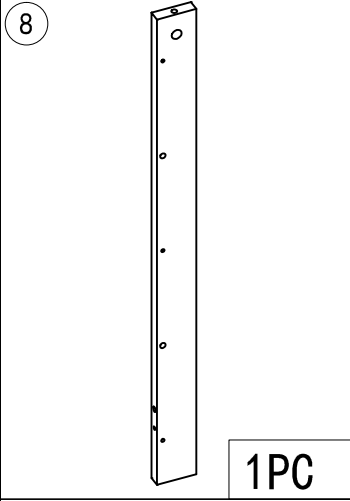
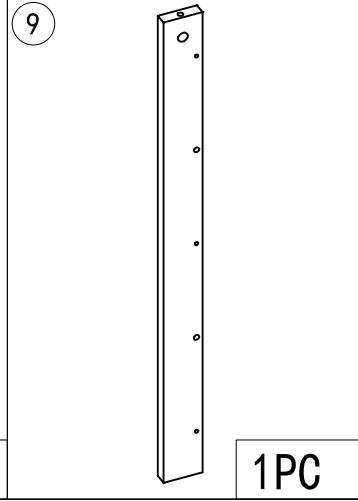
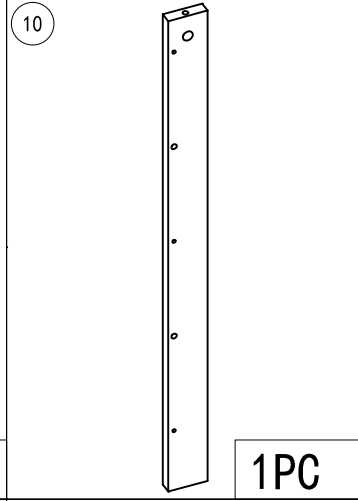
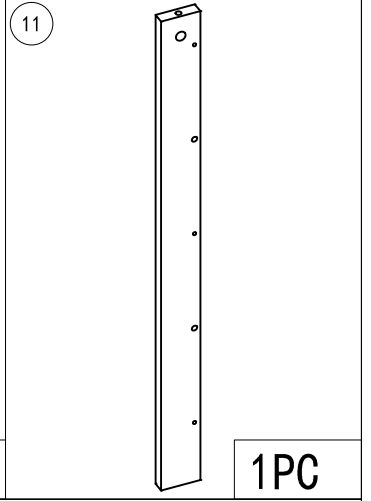
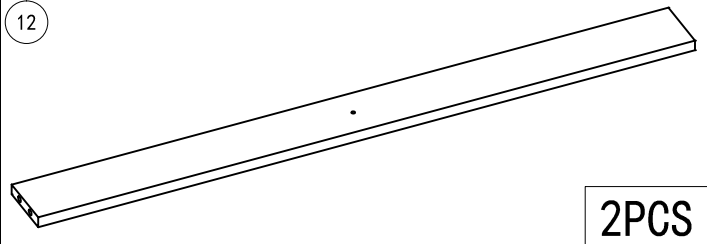
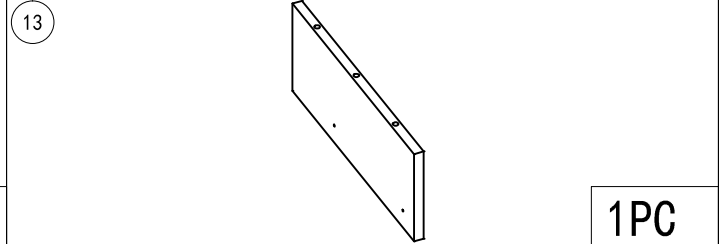
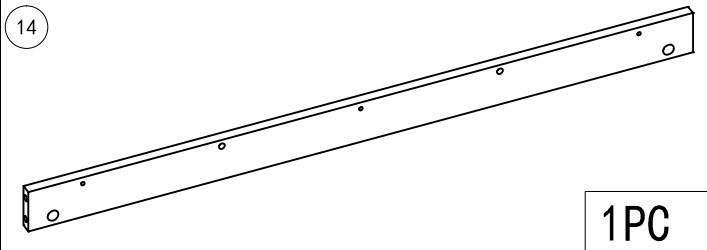
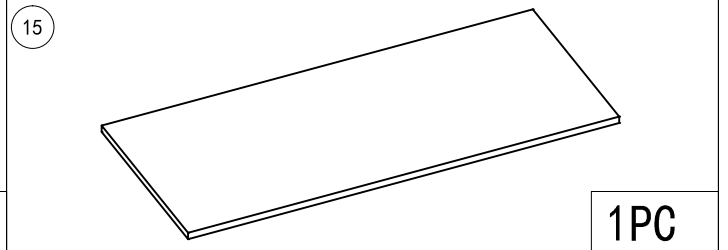
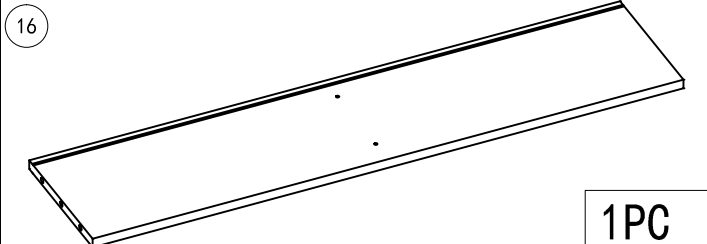
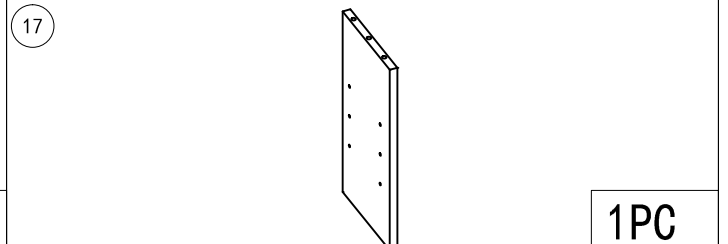


SIDE CABINET



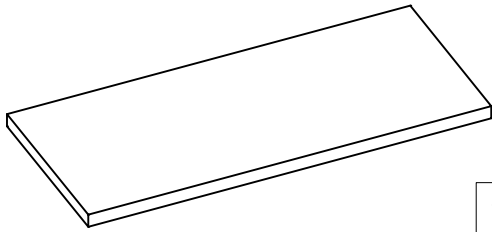


Part List

<p>1</p>  <p>1PC</p>	<p>2</p>  <p>1PC</p>	<p>3</p>  <p>1PC</p>	
<p>4</p>  <p>1PC</p>	<p>5</p>  <p>1PC</p>	<p>6</p>  <p>1PC</p>	<p>7</p>  <p>1PC</p>
<p>8</p>  <p>1PC</p>	<p>9</p>  <p>1PC</p>	<p>10</p>  <p>1PC</p>	<p>11</p>  <p>1PC</p>
<p>12</p>  <p>2PCS</p>	<p>13</p>  <p>1PC</p>		
<p>14</p>  <p>1PC</p>	<p>15</p>  <p>1PC</p>		
<p>16</p>  <p>1PC</p>	<p>17</p>  <p>1PC</p>		

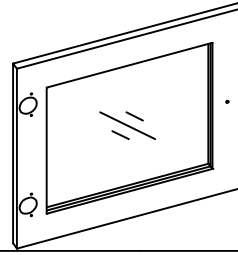
Part List

18



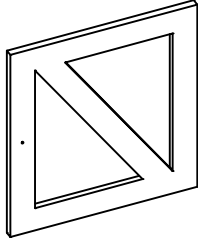
2PCS

19



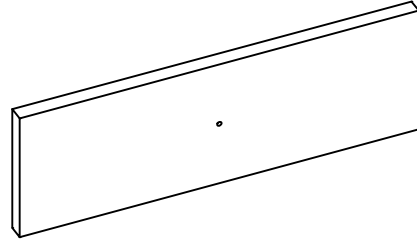
2PCS

20



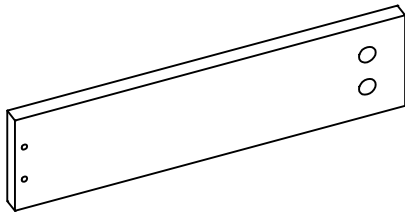
2PCS

21



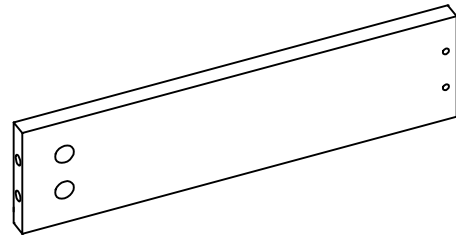
2PCS

22



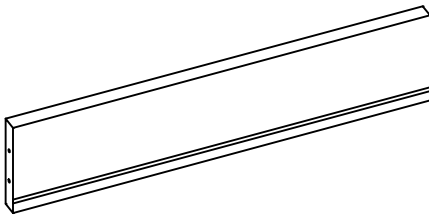
2PCS

23



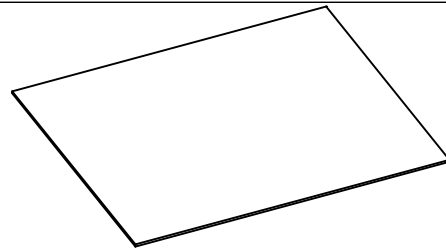
2PCS

24



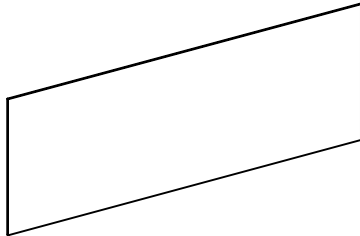
2PCS

25



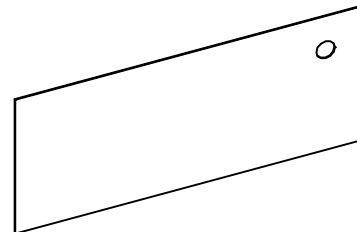
2PCS

26



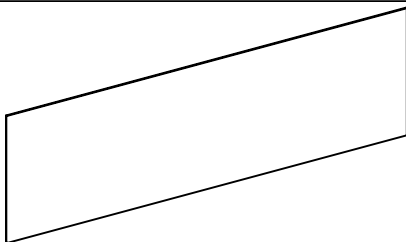
1PC

27



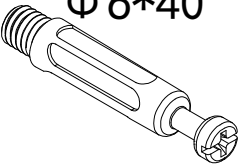
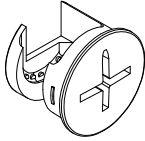
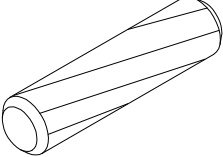
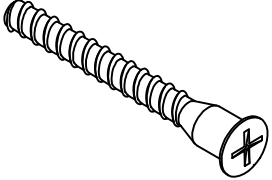
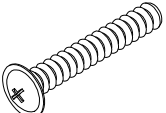
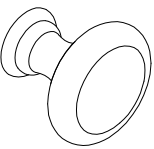
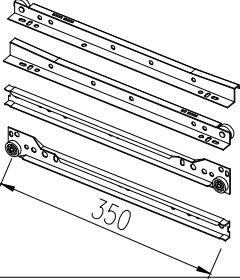
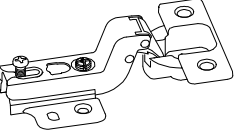
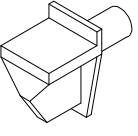
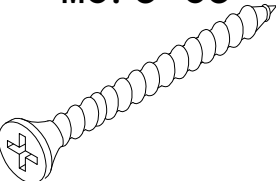
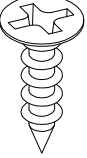
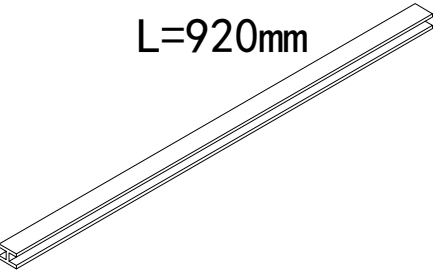
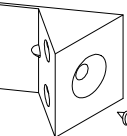
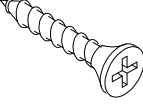
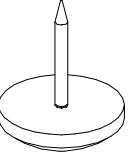
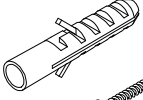


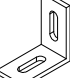
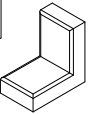
1PC

28






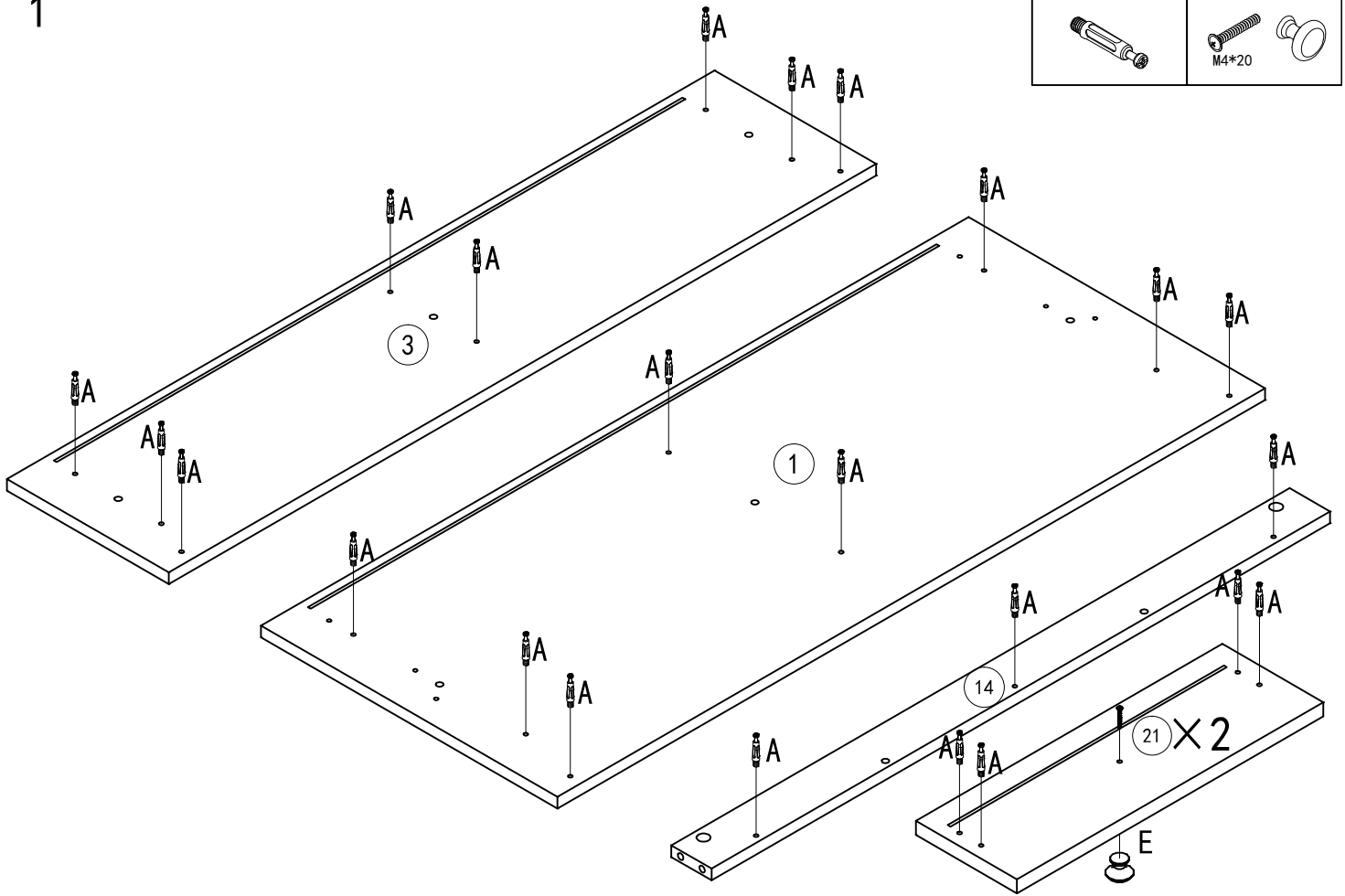
2PCS

Part List





<p>A</p> <p>$\Phi 6*40$</p>  <p>57PCS</p>	<p>B</p> <p>$\Phi 15*11$</p>  <p>57PCS</p>
<p>C</p> <p>$\Phi 8*40$</p>  <p>22PCS</p>	<p>D</p> <p>M5*40</p>  <p>8PCS</p>
<p>E</p>  <p>M4*20</p>  <p>6PCS</p>	<p>F</p>  <p>DR DL CR CL</p> <p>350</p> <p>2SET</p>
<p>G</p>  <p>8PCS</p>	<p>H</p>  <p>12PCS</p>
<p>J</p> <p>M3.5*35</p>  <p>10PCS</p>	<p>K</p> <p>M3.5*14</p>  <p>64PCS</p>
<p>L</p> <p>L=920mm</p>  <p>1PC</p>	<p>M</p>   <p>28PCS</p>
<p>N</p>  <p>6PCS</p>	<p>O</p>      <p>2PCS</p>

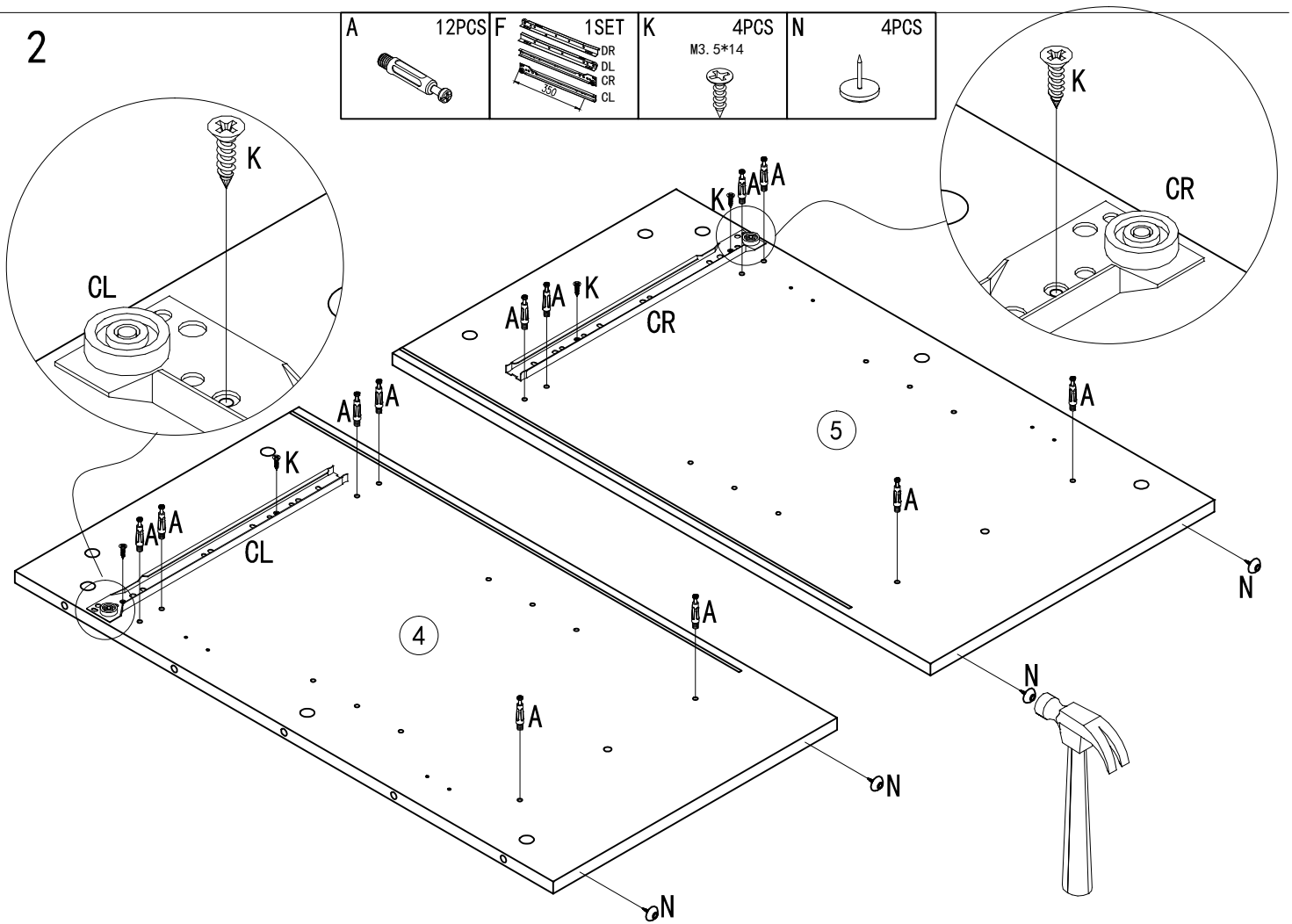
1

A	27PCS	E	2PCS
			
		M4*20	



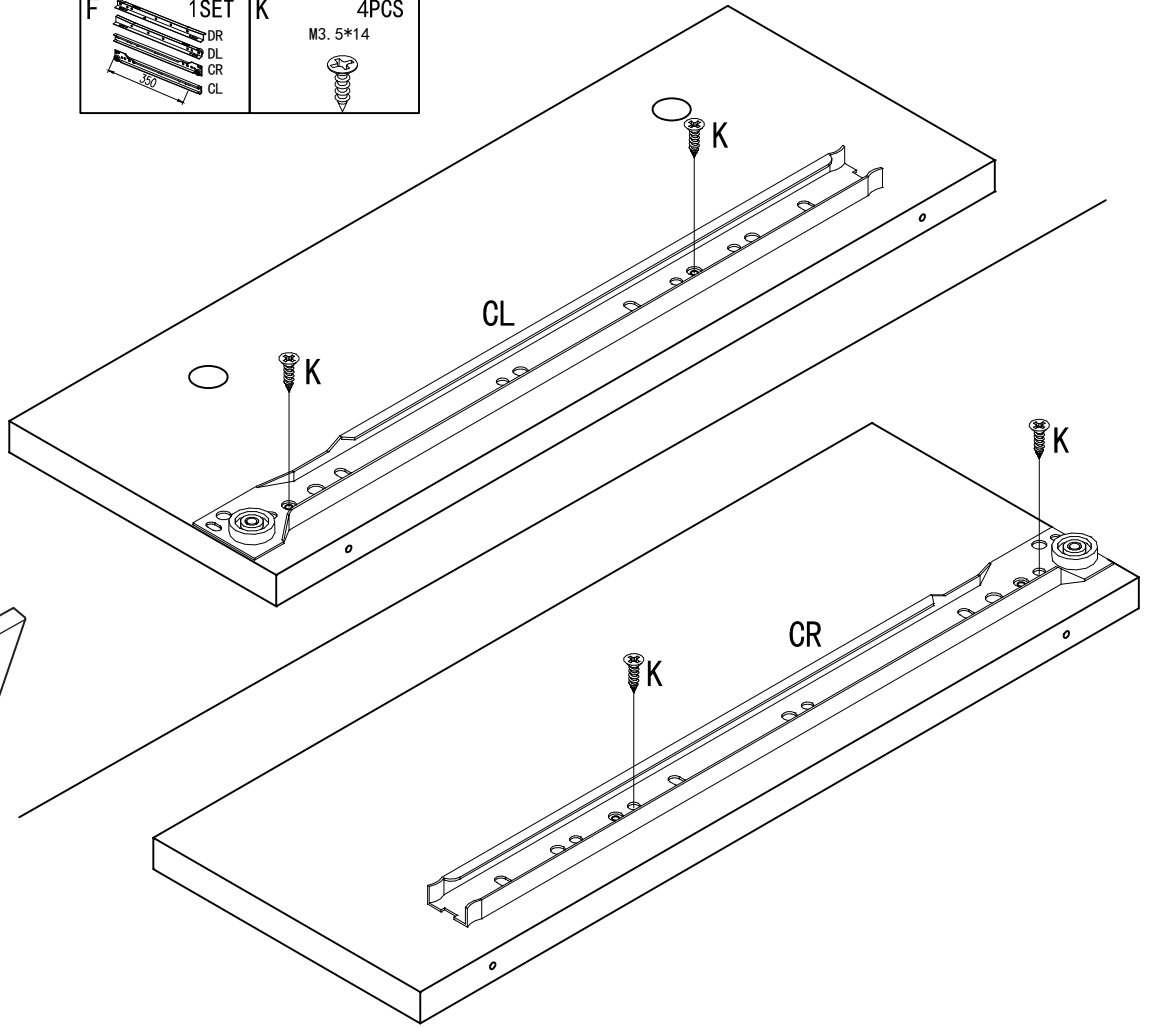
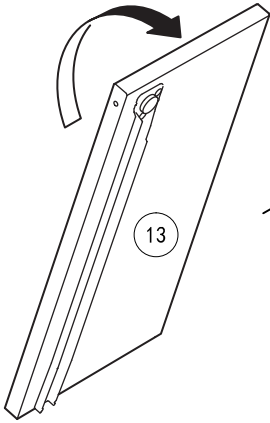
2

A	12PCS	F	1SET	K	4PCS	N	4PCS
							
		DR DL CR CL		M3. 5*14			



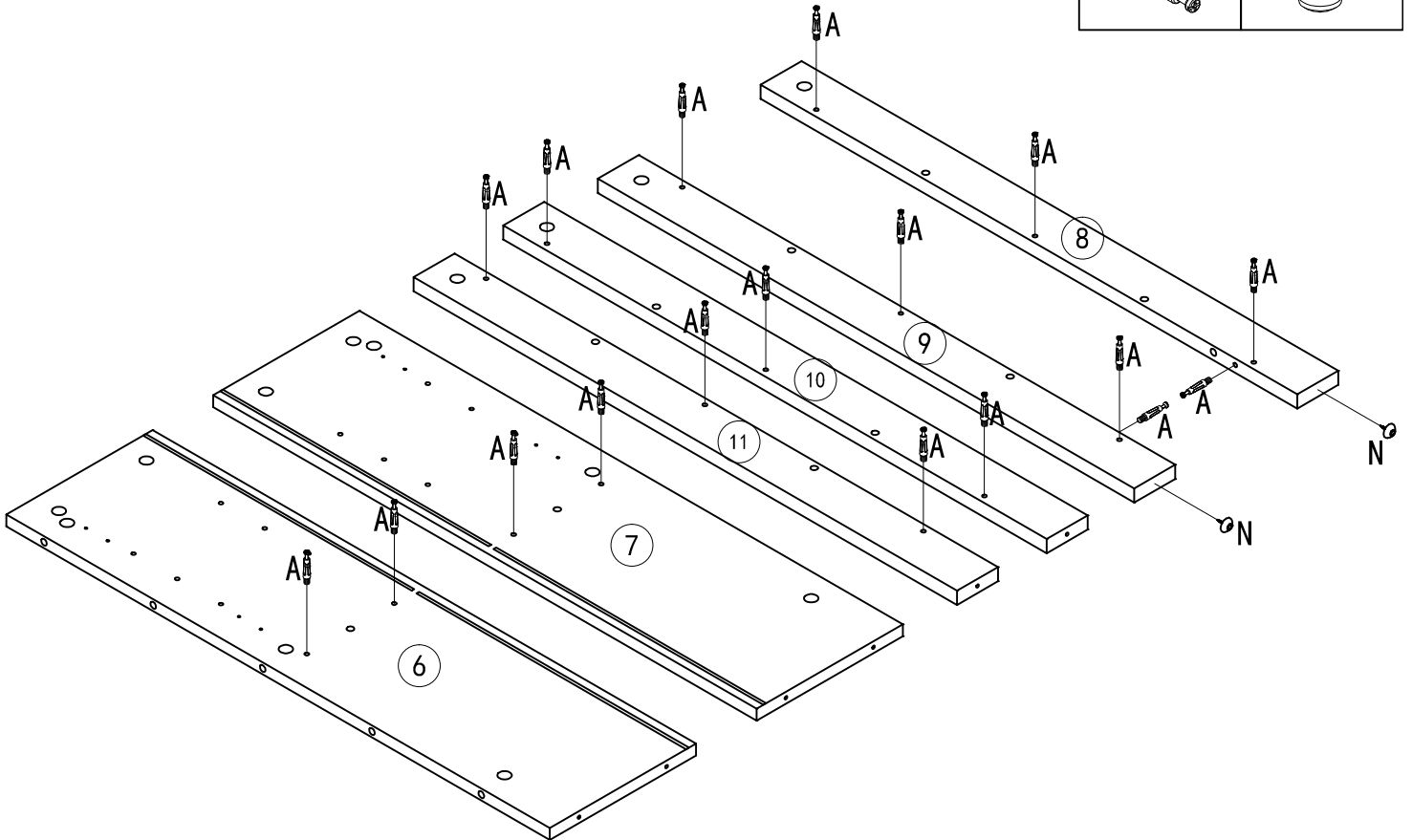
3

F	1SET	K	4PCS
	DR		M3. 5*14
	DL		
	CR		
	CL		

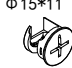
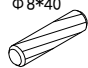


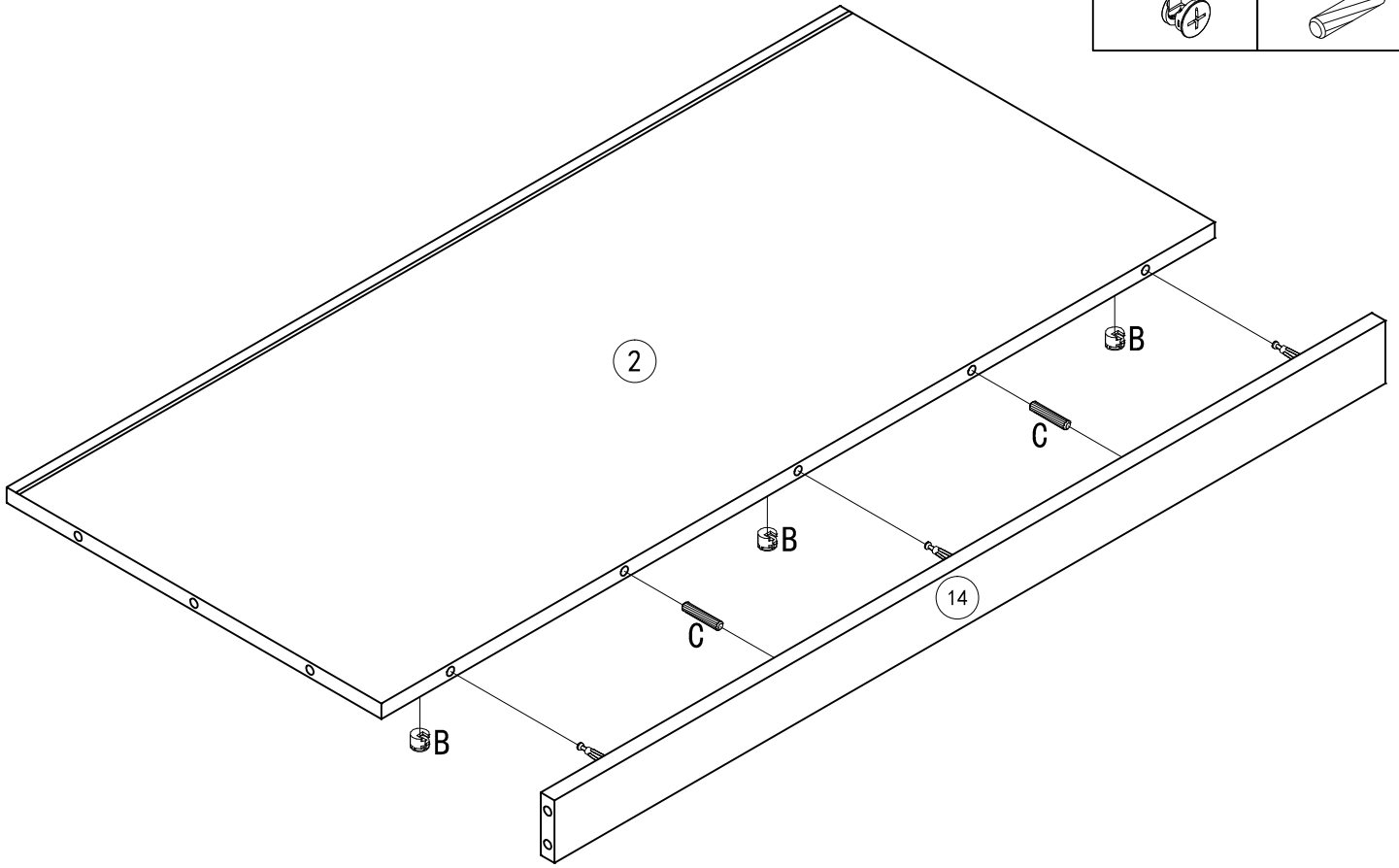
4

A	18PCS	N	2PCS
---	-------	---	------





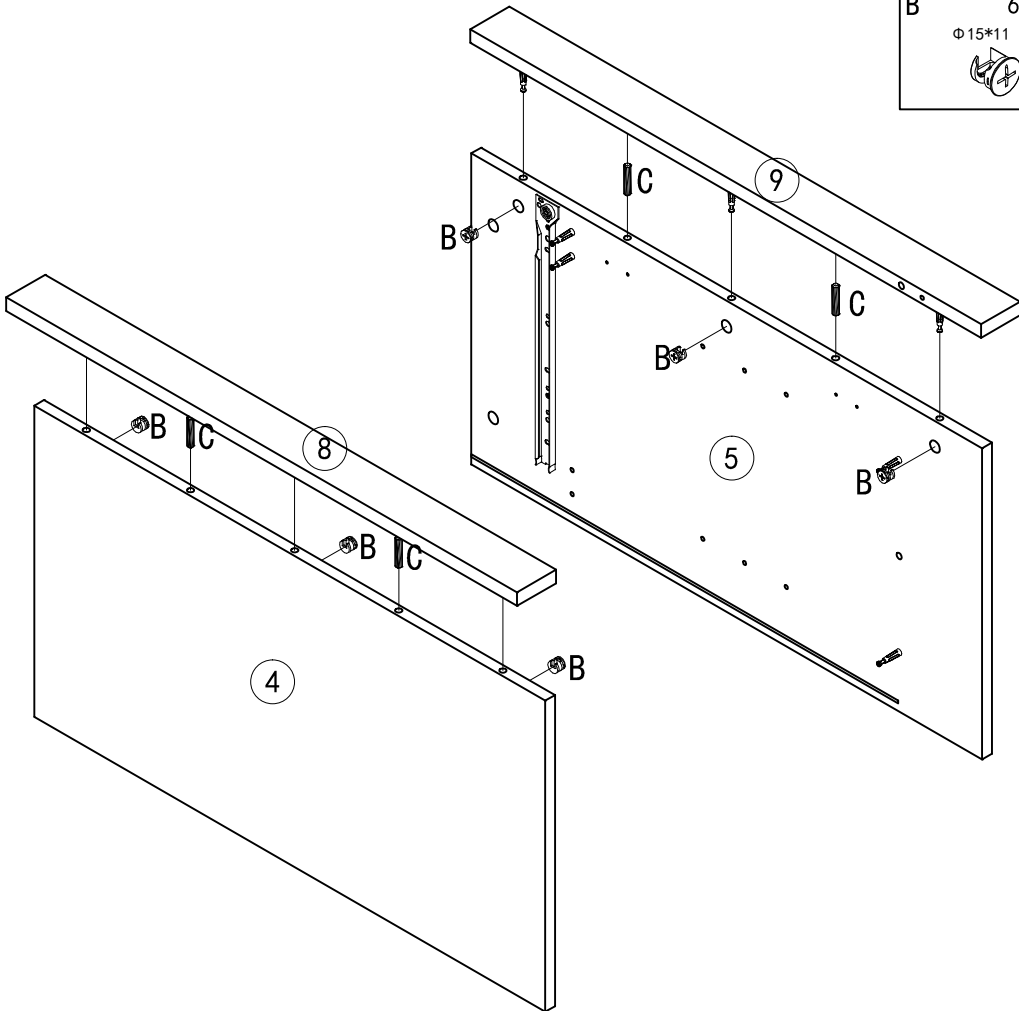
5

B	3PCS	C	2PCS
$\Phi 15*11$		$\Phi 8*40$	

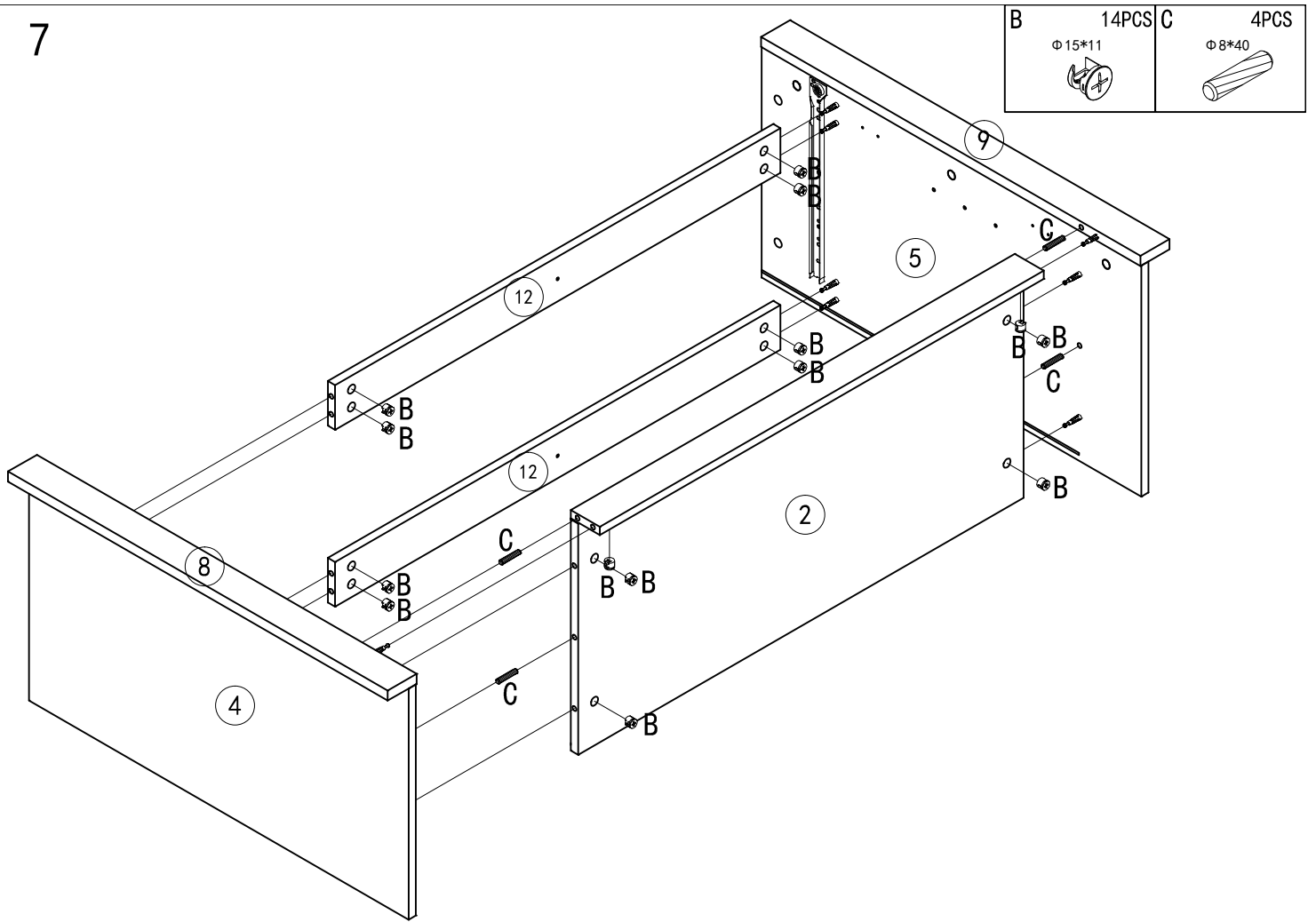


6

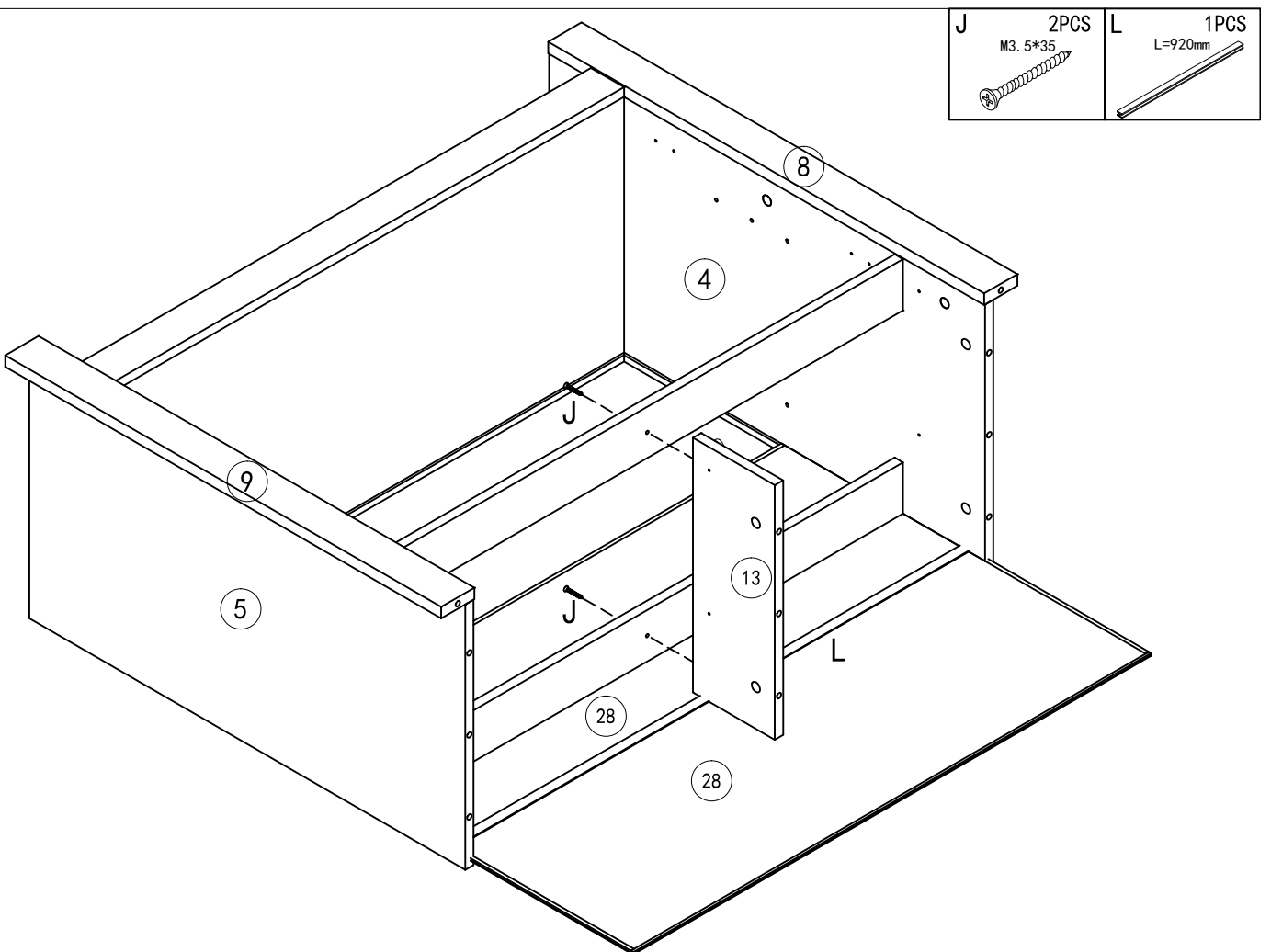
B	6PCS	C	4PCS
$\Phi 15*11$		$\Phi 8*40$	



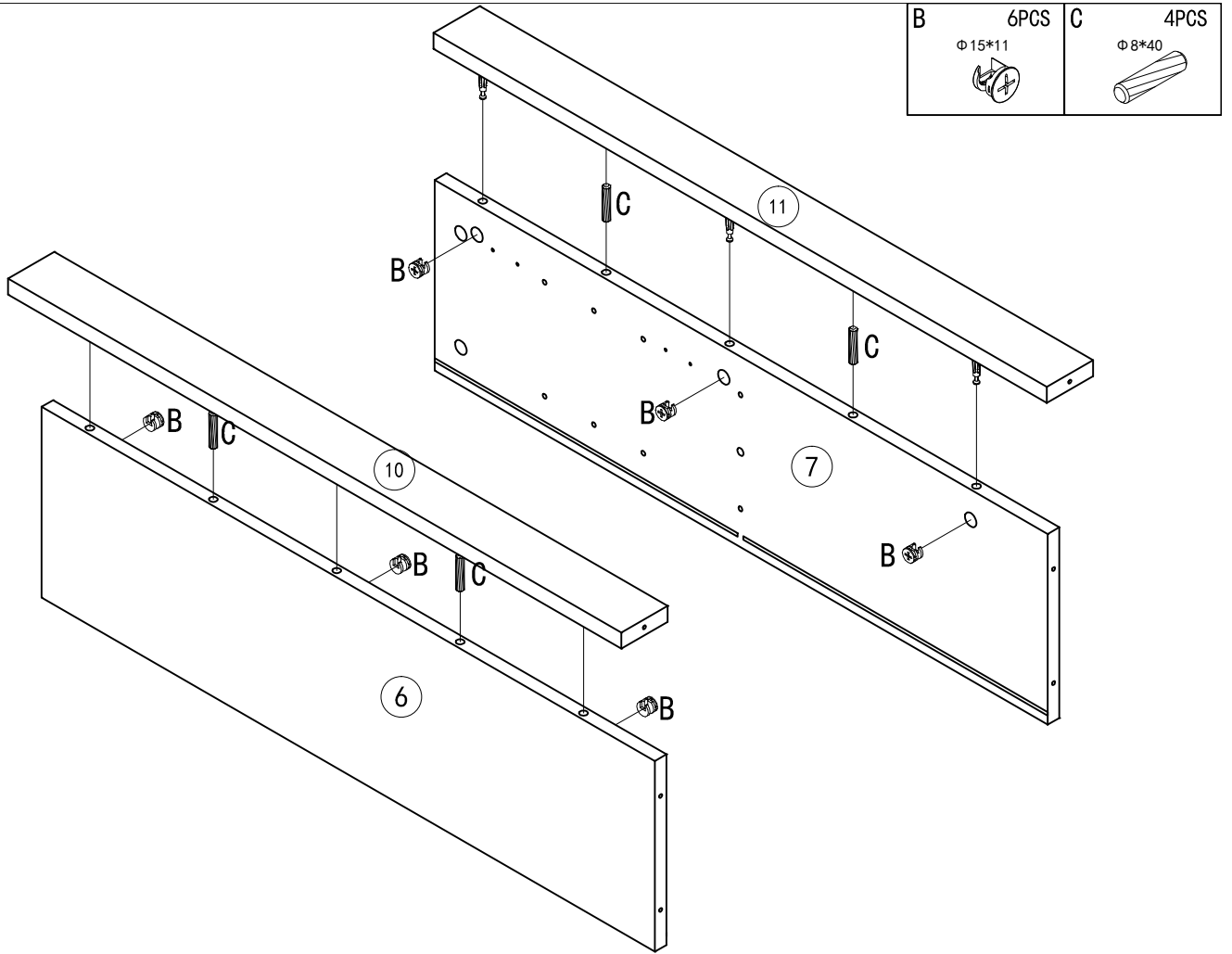
7



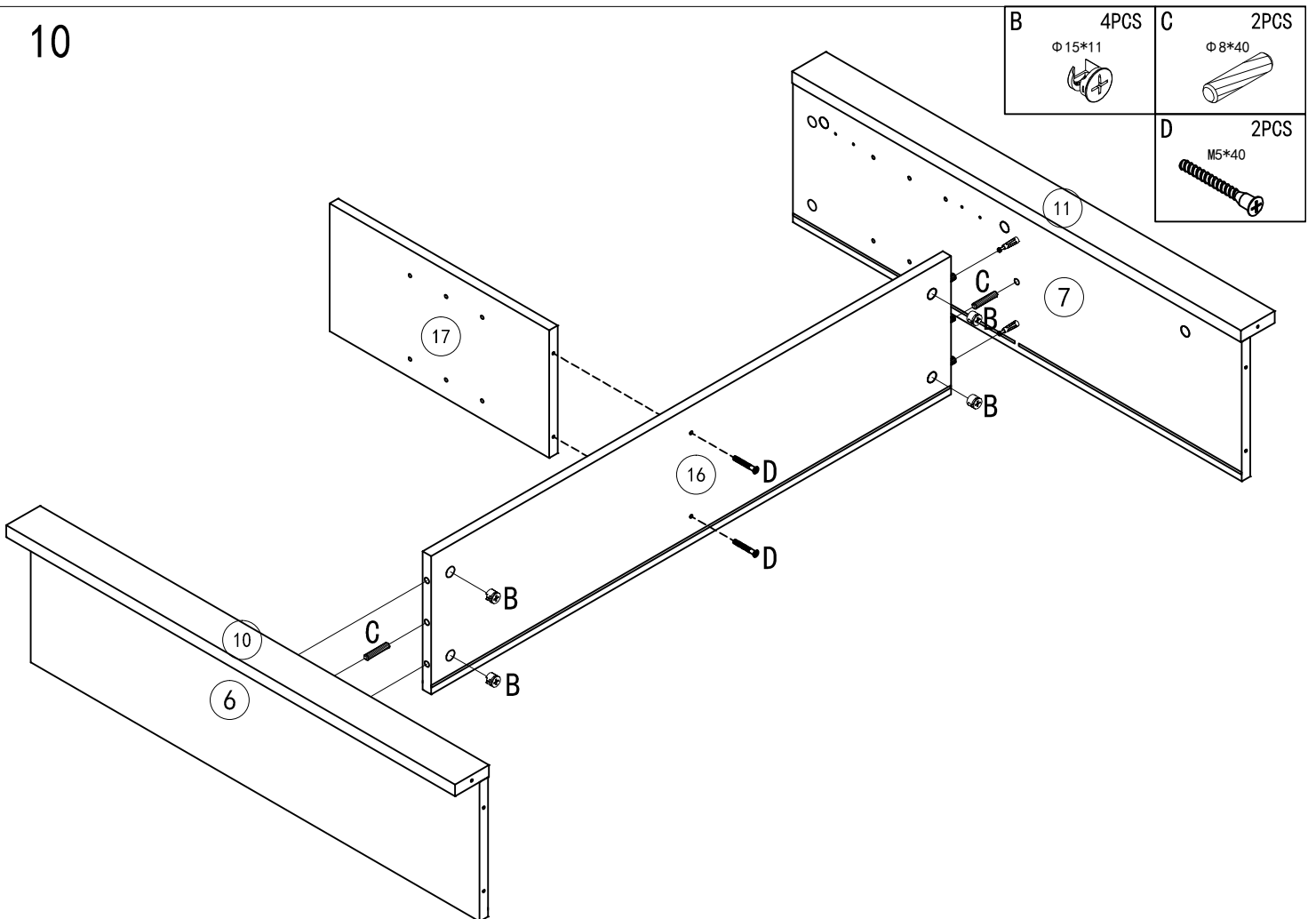
8



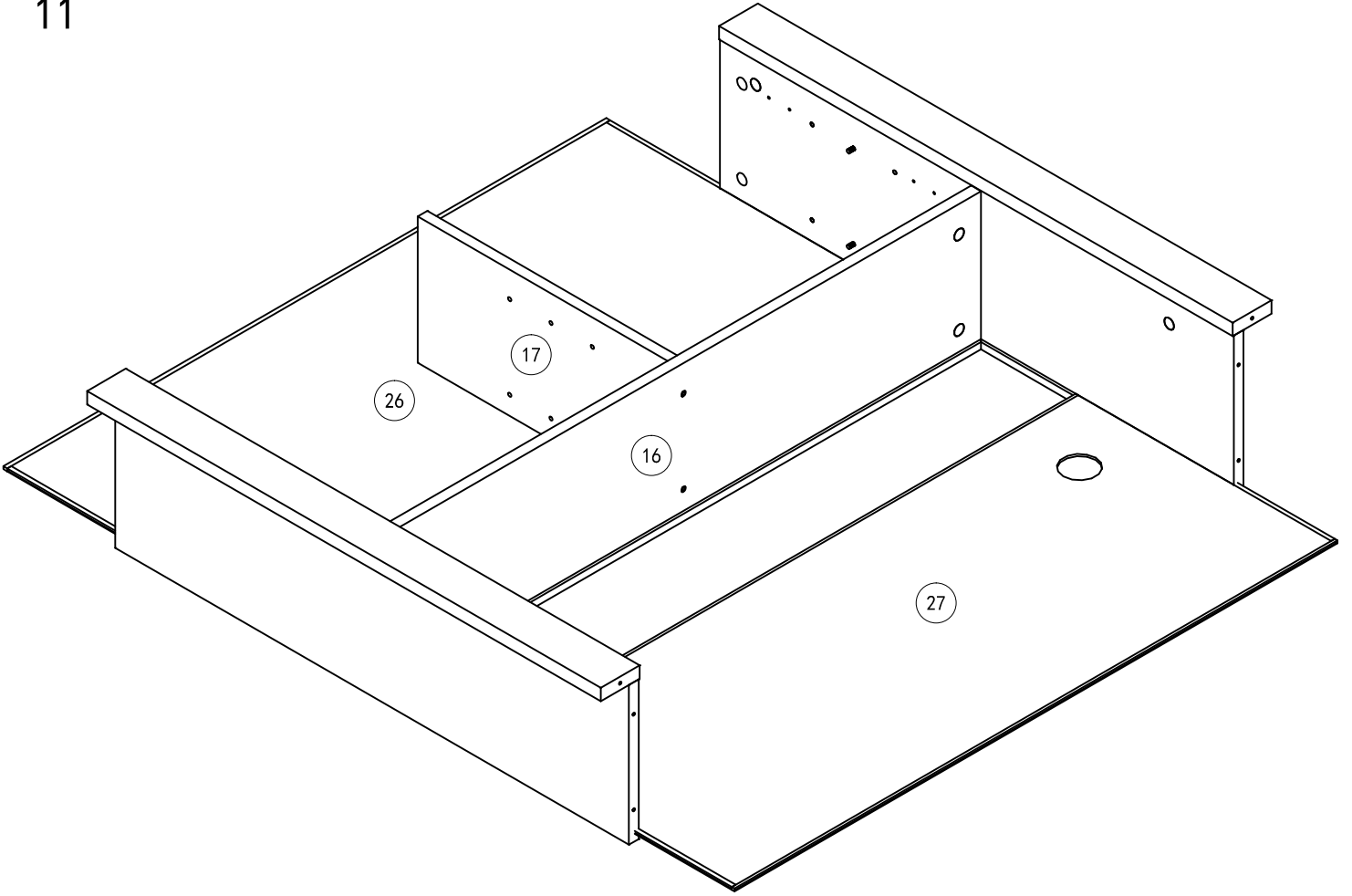
9



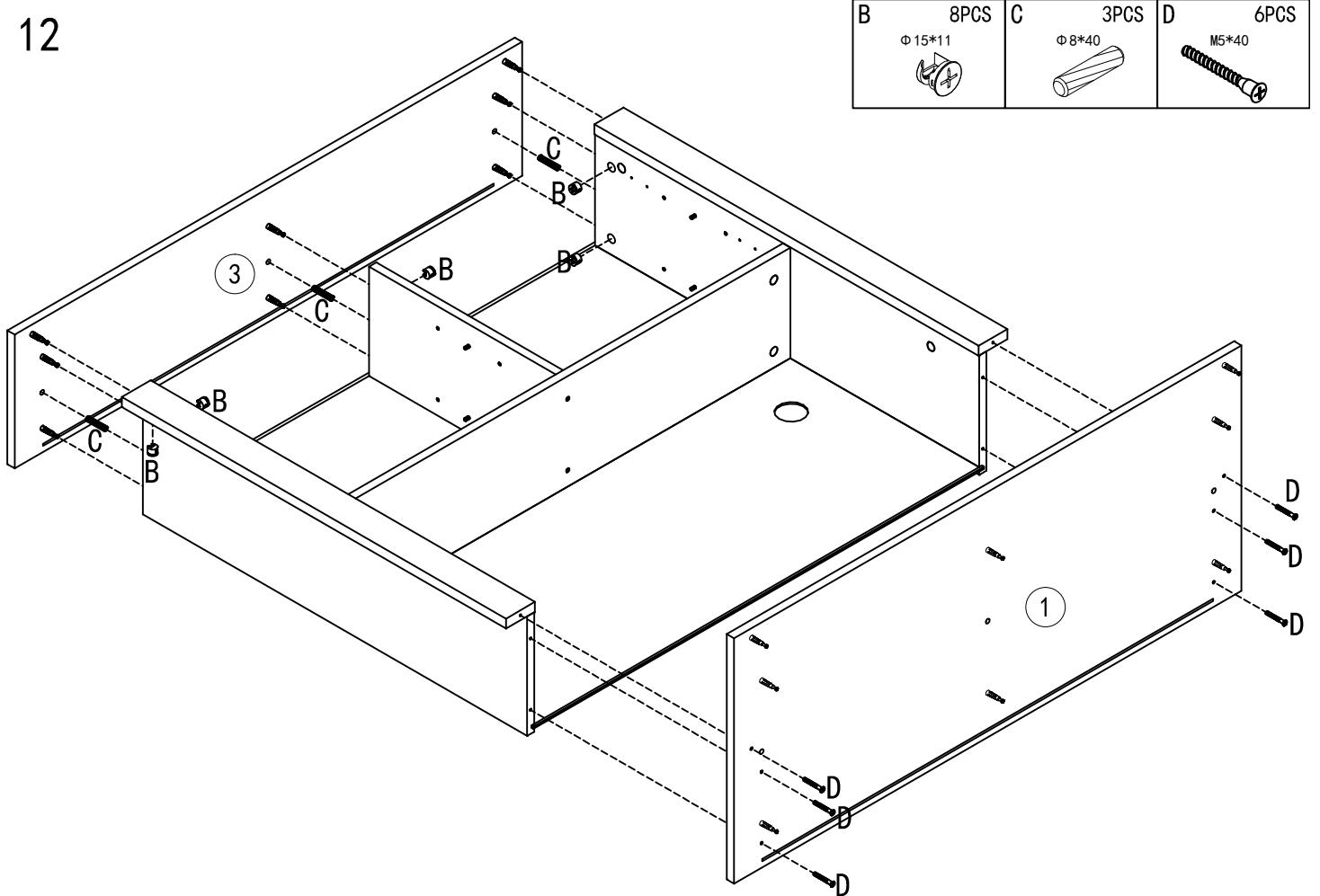
10



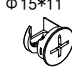
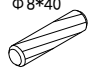
11

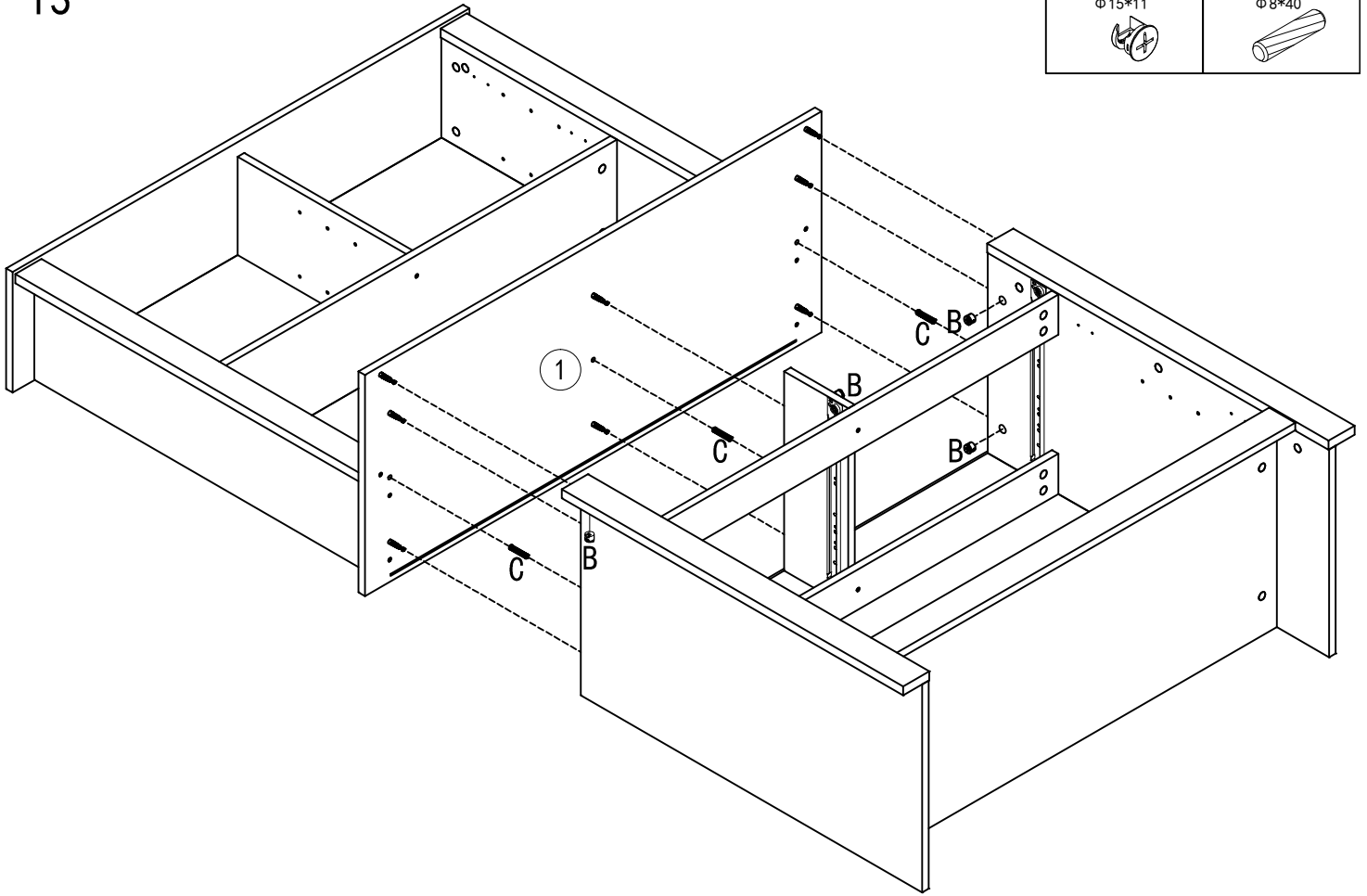


12

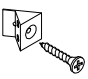


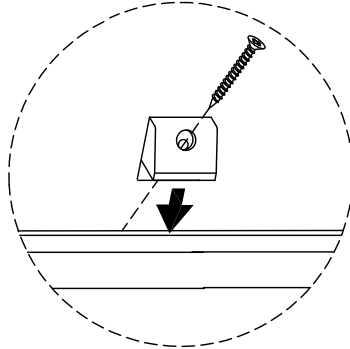
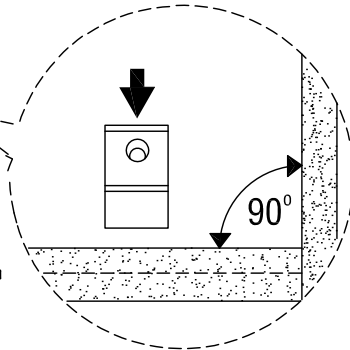
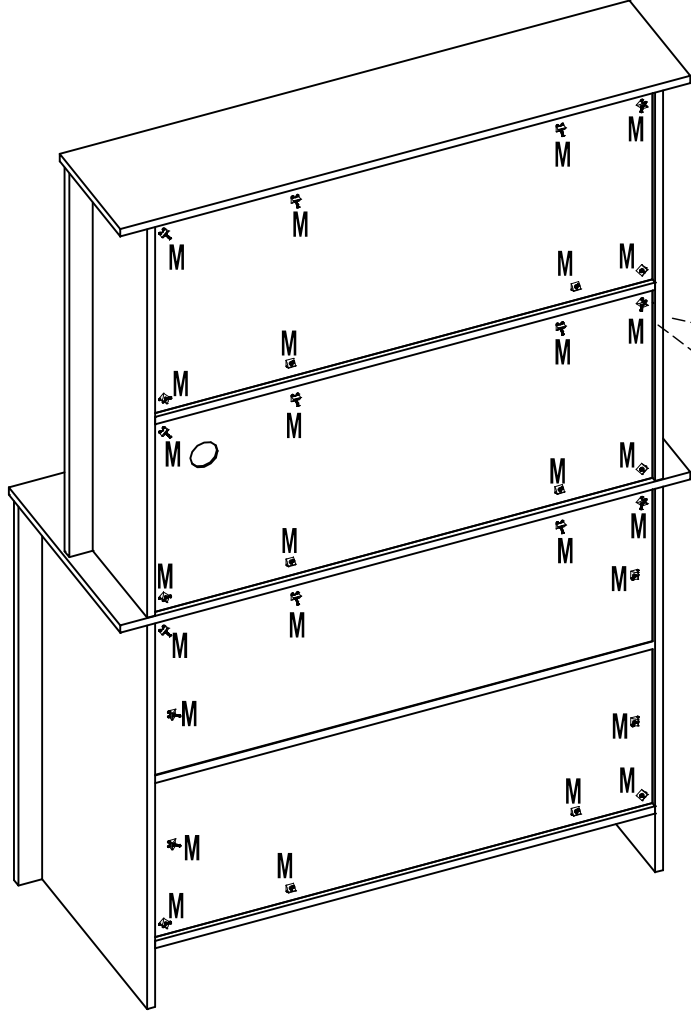
13

B	8PCS	C	3PCS
			

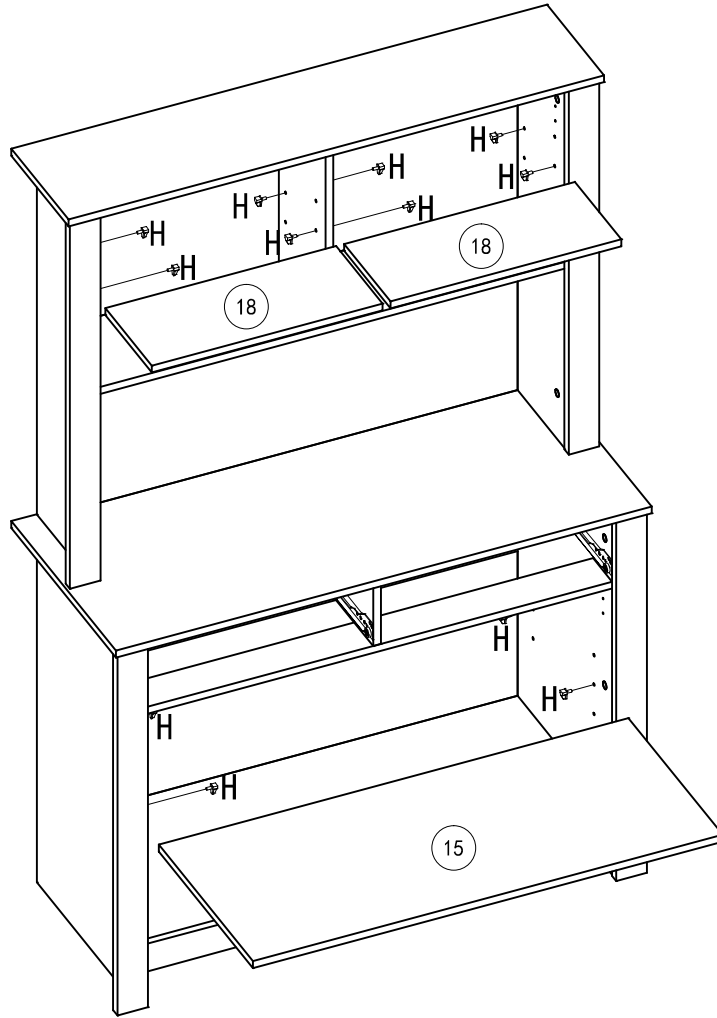


14

M	28PCS
	



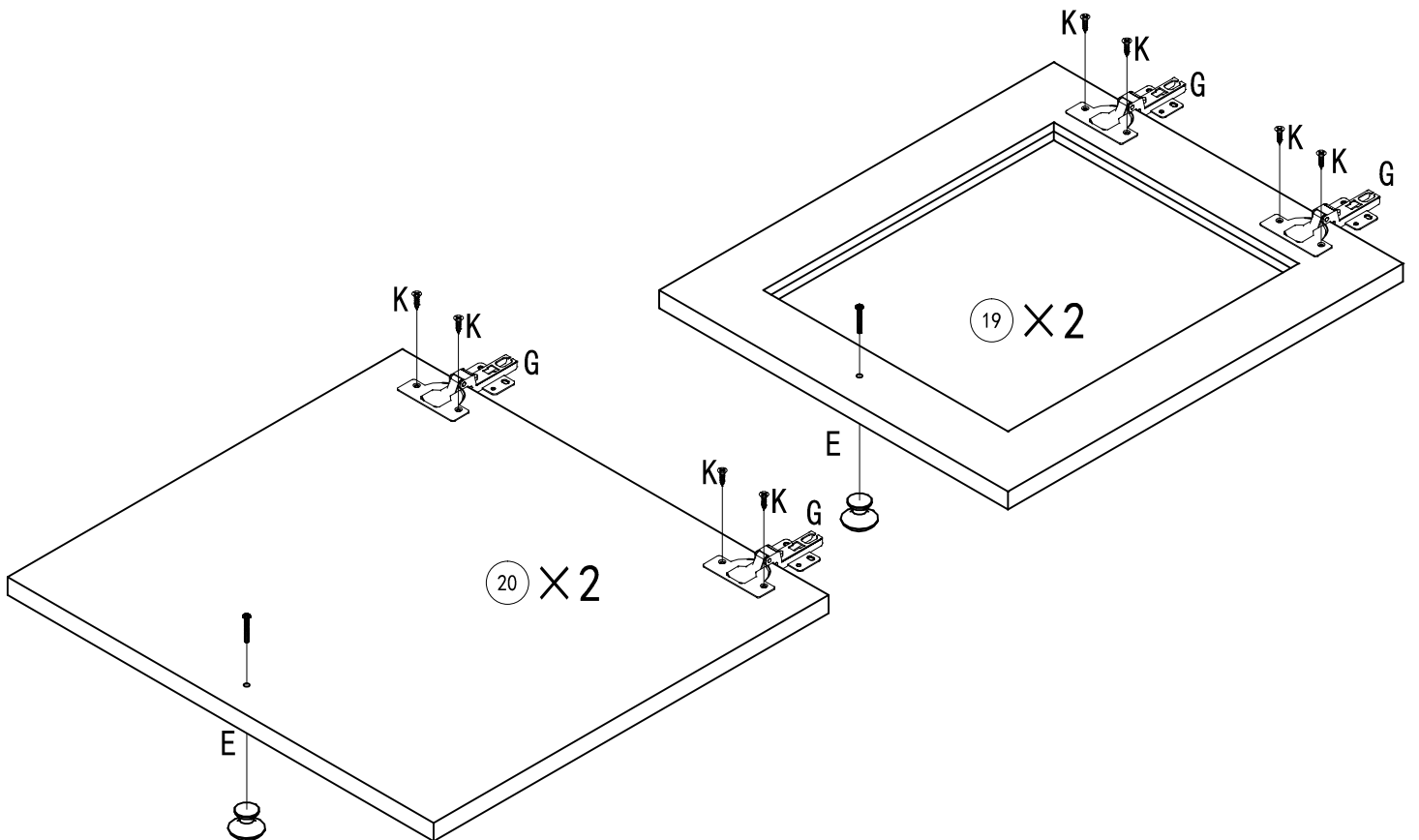
15

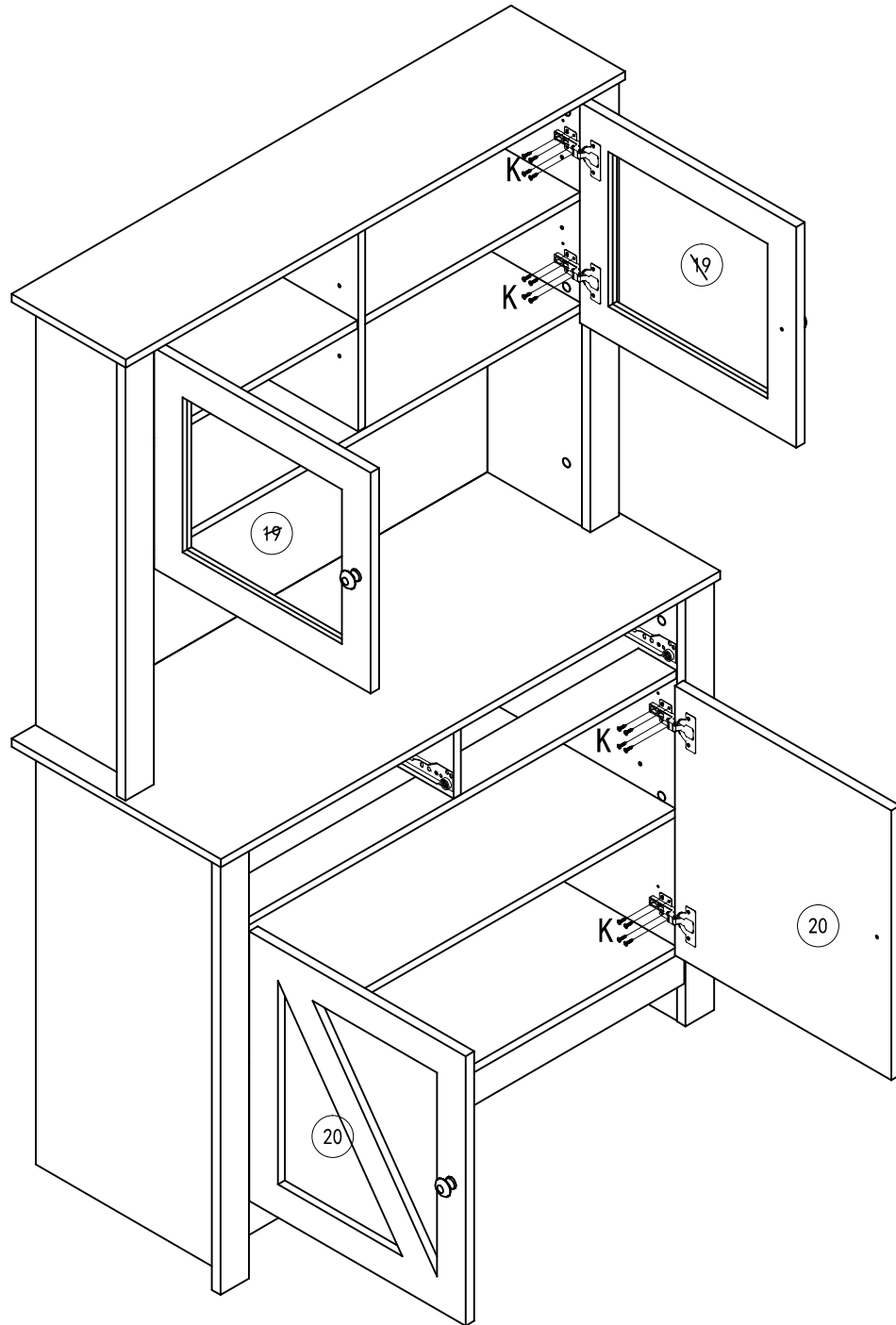


H 12PCS

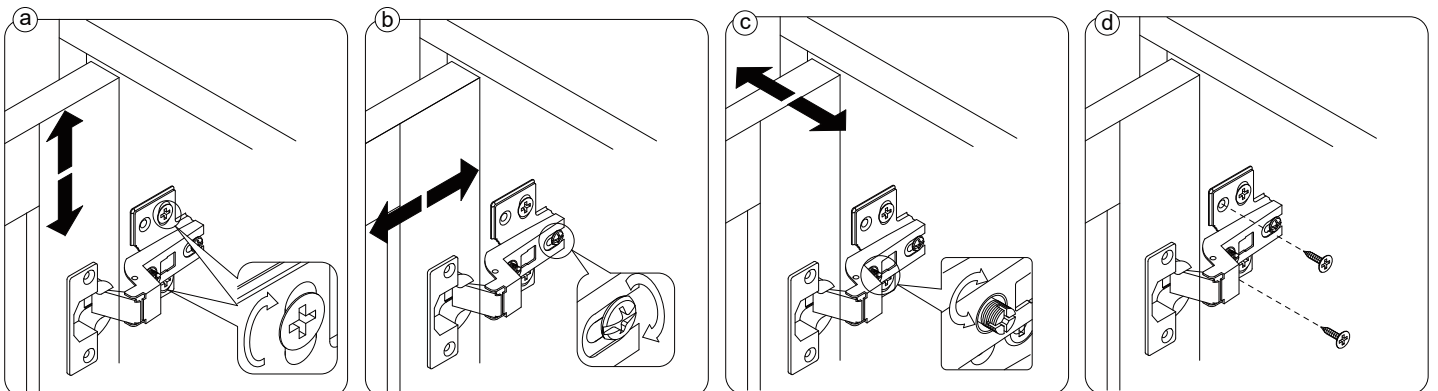
16

E 4PCS	G 8PCS	K 16PCS
 M4*20		 M3.5*14









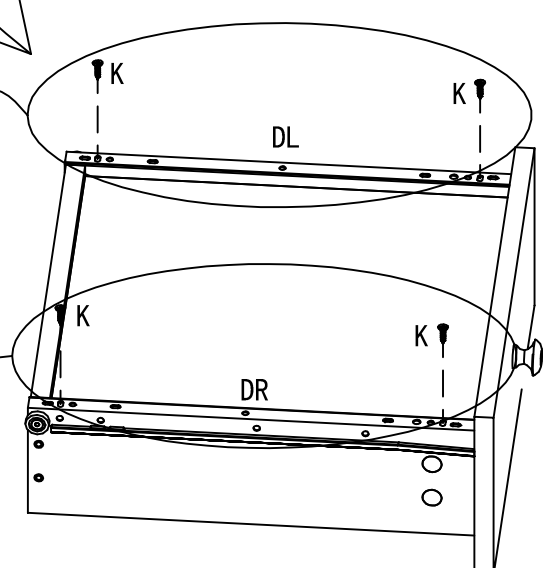
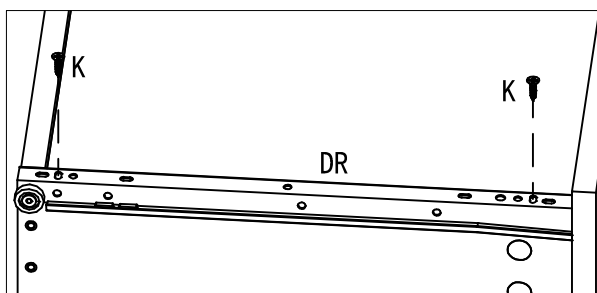
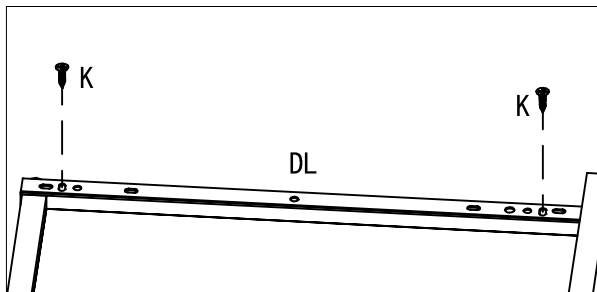
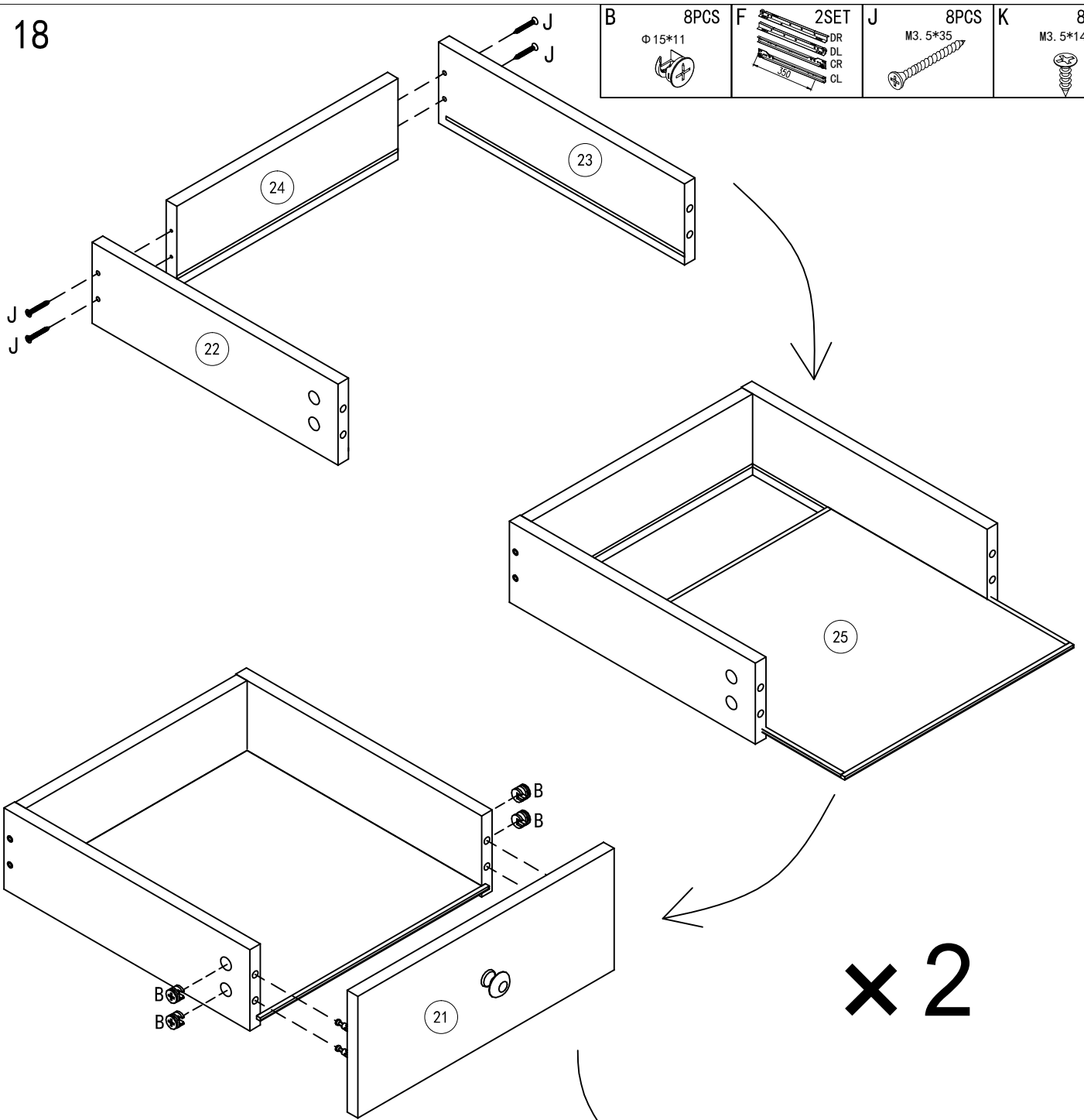
When the hinges are installed, you can refer to the pictures to adjust crevice of the doors till it's perfect:



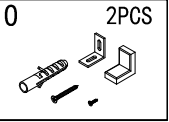
1. To adjust the doors up and down, please refer to step (a)
2. To adjust the distance between the doors and side panels, please refer to step(b)
3. To adjust the gap between two doors, please refer to step (c)
4. After the adjustment finished, please tight the screws, refer to step (d)

18

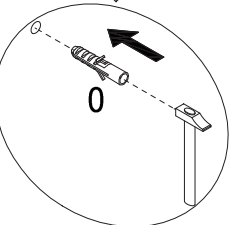
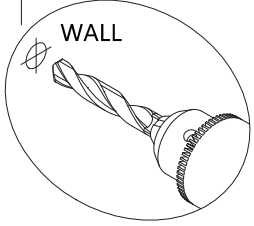
B Φ 15*11 8PCS 	F 2SET DR DL CR CL 350 	J 8PCS M3. 5*35 	K 8PCS M3. 5*14 
------------------------------------------------------------------------------------------------------------------	---------------------------------------------------------------------------------------------------------------------------------------	---------------------------------------------------------------------------------------------------------------------	---------------------------------------------------------------------------------------------------------------------



19



WALL



Secure it

for safety ,this product should be secured to the wall!

