

## LYRA LED WALLPACK

### INSTALLATION, USAGE, & CARE GUIDE



#### **Questions? / Missing Parts? / Need Accessories?**

For any product or warranty support, call or email LUMIGHT  
Customer Service 9am-5pm EST Monday to Friday.

1 (844) 533-4878

[customercare@lumight.com](mailto:customercare@lumight.com)

[LUMIGHT.COM](http://LUMIGHT.COM)

---

*Visit us online anytime or call us to get information on our product range, download detailed spec & photometric files, find product and mounting accessories, view installation tutorials and videos, and learn about our DLC® rebate eligible products.*

## Table of Contents

<b>Table of Contents</b> .....	<b>2</b>	Package Contents.....	4
<b>Safety Information</b> .....	<b>2</b>	<b>Installation</b> .....	<b>5</b>
<b>Pre-Installation</b> .....	<b>3</b>	<b>Care &amp; Cleaning</b> .....	<b>10</b>
Planning Installation.....	3	<b>Troubleshooting</b> .....	<b>10</b>
Specifications.....	3	<b>Warranty</b> .....	<b>11</b>
Tools Required.....	3		
Hardware Included.....	4		


## Safety Information


### IMPORTANT


THIS PRODUCT MUST BE INSTALLED IN ACCORDANCE WITH THE APPLICABLE NATIONAL ELECTRICAL CODE AND LOCAL BUILDING CODES BY A PERSON FAMILIAR WITH THE CONSTRUCTION AND OPERATION OF THE PRODUCT AND THE HAZARDS INVOLVED.


### PRECAUTIONS


- Please read and understand this entire manual before attempting to assemble, install, or operate this light fixture.
- This light fixture requires a 120-277Volt AC power source.
- Some codes require installation by a qualified electrician.
- This light fixture must be properly grounded.
- Make sure connections are secure using wire nuts, crimp-on lugs or other approved connecting devices
- This light fixture should be installed outdoors to the wall.
- This product may contain chemicals known to be hazardous. Thoroughly wash hands after installing, handling, cleaning or otherwise touching the product.

 **WARNING:** Turn the power off at the circuit breaker or fuse. Place tape over the circuit breaker switch and verify power is off at the light fixture.

 **WARNING:** Risk of fire. Keep the lamp heads at least 3 in. (76mm) from combustible materials.

 **CAUTION:** Burn hazard. Allow the light fixture to cool before touching.

 **NOTICE:** Do not connect this fixture to a dimmer switch.

 **NOTICE:** FCC Regulations state that any unauthorized changes or modifications to this equipment not expressly approved by the manufacturer could void the user's authorization to operate this equipment.



**INFORMATION:** The device is tested and found to comply with Part 15 of the FCC Rules. Operation is subject to two conditions: (1) This device may not cause harmful interference and, (2) this device must accept any interference received, including any interference that may cause undesired operation.

These limits are designed to provide reasonable protections against harmful interference when the equipment is operated in a commercial environment.

## Pre-Installation

### PLANNING INSTALLATION

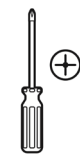
Before installing the light fixture, ensure that all parts are present. Compare parts with the *Hardware Included* and *Package Contents* sections. If any part is missing or damaged, do not attempt to assemble, install, or operate this light fixture.


Estimated installation time: 20 minutes

### SPECIFICATIONS

<b>Lumens (Light Output)</b>	2500 Lumens
<b>Watts (Power Consumption)</b>	20 Watts LED
<b>Replaces</b>	70 Watt Metal Halide
<b>Lumens/Watts (Efficacy)</b>	125 lumens per watt
<b>Power Requirements (Input Voltage)</b>	120-277VAC
<b>Light Color (CCT)</b>	4000 Kelvins (Bright White)
<b>Dimmable</b>	Non-Dimming (Do not wire to dimming switch)
<b>Operating Modes</b>	<p><b>Dusk-to-Dawn:</b> Automatically turns light fixture ON during night and OFF during day.</p> <p><b>Switch-Controlled:</b> Flip switch to turn light fixture ON and OFF. Use included light sensor cap on fixture's light sensor to utilize this mode setting.</p>

### TOOLS REQUIRED



 Phillips Screwdriver



Wire strippers/cutters



Circuit tester



Silicone Sealant



Work gloves



Ladder



Safety goggles



Flat head hammer

## Pre-Installation (continued)

### HARDWARE KIT

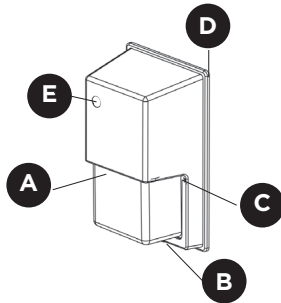


**NOTE:** Hardware *not* shown to actual size.



Part	Description	Quantity
AA	#8-32 x 3/4" philips mounting bracket screw	2
BB	Wire nut	3
CC	Photocell Black Cover Label	1

### PACKAGE CONTENTS

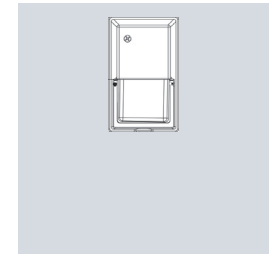


Part	Description	Quantity
A	Light fixture	1
B	Conduit entry plug	1
C	Mounting base tightening screw (pre-installed)	2
D	Mounting base plate	1
E	Photocell lens	1

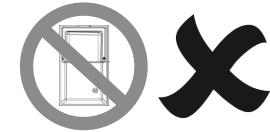
## Installation

### 1 For best results

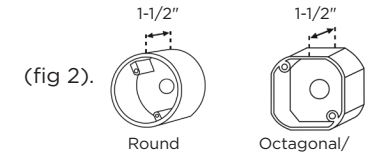
- The fixture can be mounted in the following two ways:
  - Junction Box Mount:** Use a junction box to mount the fixture.
  - Surface Conduit Mount:** The fixture can also be mounted directly on the wall surface using conduit entry.
- When mounting fixture, for Dusk to Dawn operation, make sure the photocell orientation is at the top for wall mount, in an area that receives daylight and not too close to reflective surfaces.
- When installing two fixtures on one switch, make sure the switch is rated for at least a 1A inductive load.
- Do NOT wire to dimming switch.



Wall Mount



**NOTE:** Mounting base (D) mounts to recessed mounted standard junction boxes or to the surface directly. Junction box must be at least 1-1/2 inch in depth for proper installation for recessed mount application (fig 2).

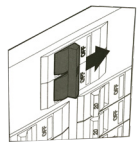


### 2 Shut electric power off

- At wall switch verify it is in the off position (fig 1).
- At the main electrical panel turn off the circuit breaker that supplies power to the outlet box you are working on (fig 2).
- For screw-in type fuses unscrew the fuse that supplies power to the outlet box you are working on (fig 3).



(fig 1).



(fig 2).



(fig 3).

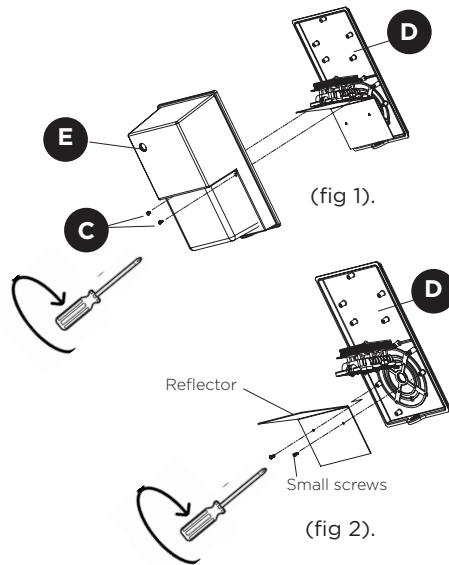
## Installation (continued)

### 3 Remove the mounting base plate

**NOTE:** The mounting plate tightening screws (C) comes pre-installed on the light fixture.

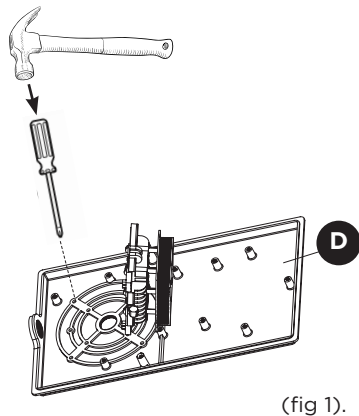
- Loosen the two mounting base tightening screws (C) using a philips screwdriver and remove the refractor. (Fig. 1)
- Remove the reflector from the base plate (D) by loosening the two small screws. (Fig. 2)

**CAUTION:** DO NOT touch the LED and Photo-cell lens (E) inside the fixture. DO NOT damage or soil the reflector.



### 4 Knock out holes on mounting base

- Measure the distance of the mounting threaded holes on the junction box and find the corresponding knock-out holes in the fixture's mounting base (D).
- Use a flat head hammer and screw driver to knock out two holes in the mounting base (D) in the desired location to align properly with the junction box. (Fig. 1)

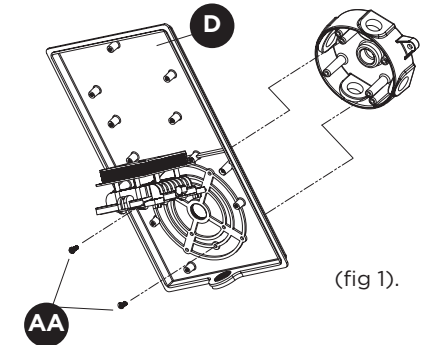


## Installation (continued)

### 5 Installing the mounting base

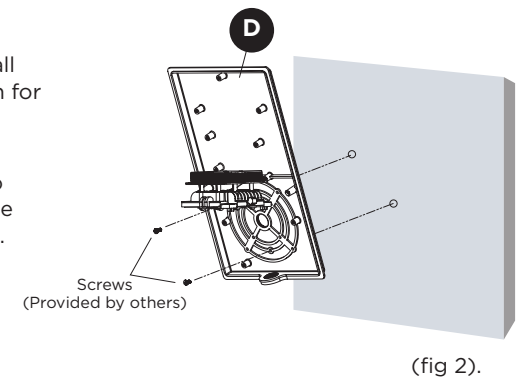
#### Junction box Mount

- Route the junction box wires through the large center hole in the mounting base (D).
- Align the holes on the mounting base (D) with the holes on your junction box. Use two #8 screws (AA), depending on the size of the holes in your junction box, attach the mounting base (D) to your junction box. (Fig. 1)



#### Surface Conduit Mount

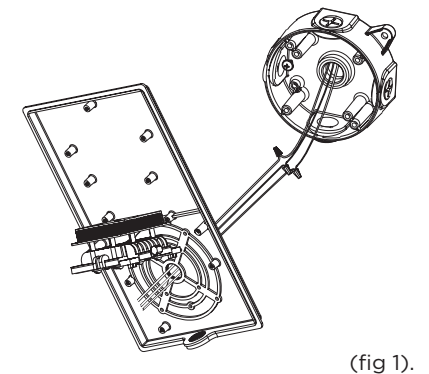
- Mark and drill two holes on the wall surface as per the desired location for fixing the mounting plate (D).
- Use two or more suitable screws (provided by others) applicable to the surface of mounting and fix the mounting plate (D) on the surface. (Fig. 2)



### 6 Making the electrical connections

#### Junction box Mount

- Follow the wiring instructions given below to make the electrical connections. (Fig. 1)



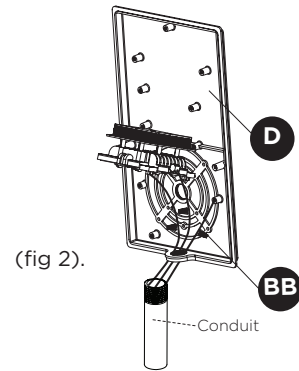
## Installation (continued)

### Surface Conduit Mount

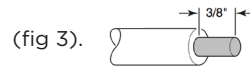
- Remove conduit plug from the bottom of the fixture from the where conduit will enter. (Fig. 2)
- Make wiring connections inside the fixture as per the instructions given below.

### Wiring Instructions

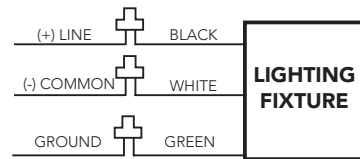
- If necessary, strip 3/8" of insulation from junction box or fixture (A) wires (fig 3).
- Connect fixture black wire to house black wire, the (+) line, and fixture white wire to house white wire, the (-) common by twisting the exposed wires together and using the wire nuts (BB). Ensure no loose wires.
- Connect house ground wire to the green fixture ground wire, by twisting the exposed wires together and using the wire nuts (BB).



(fig 2).



(fig 3).

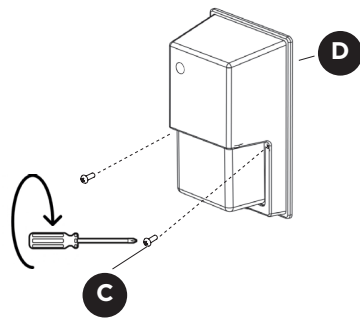


**TIP:** Hold stripped ends near each other and align any frayed strands (do not twist wires).

Push the wires into wire nut (BB) and use your fingers to twist the wire nut clockwise until tight. Check for tightness by pulling wires.

## 7 Securing the light fixture on the mounting base

- Replace the reflector on the mounting base plate (D) using the two small screws, using a philips screwdriver, removed in the Step1.
- Close the fixture by tightening the mounting base tightening screw (C), using a philips screwdriver, which was removed earlier in Step 1. (Fig. 1)

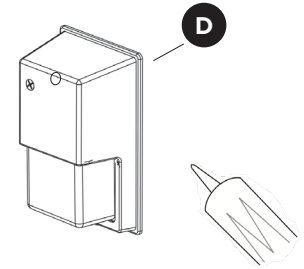


(fig 1).

## Installation (continued)

## 8 Caulking around the light fixture

- Caulk around the mounting plate (D) and surface with silicone sealant (not included).



**NOTICE:** Failure to properly caulk around the surface and mounting plate (D) could lead to water damage and is not covered under warranty.



**NOTE:** When attaching this fixture (A) to an external, surface mount junction box, caulk the inside of the light fixture before attaching to the mounting plate (D).

## Operation

## 1 Selecting Dusk-to-Dawn or Switch-Activated control

### OPTION 1: DUSK-TO-DAWN OPERATION

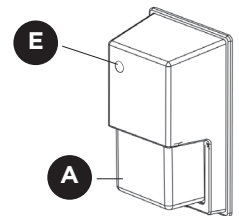
*Dusk-to-dawn operation enables the light fixture to automatically turn ON when dark outside and turn OFF when the sun rises, thus saving you energy.*

**AUTOMATIC NIGHTTIME ON**



**DAYTIME OFF**

- To enable dusk-to-dawn operation remove temporary black label cover and ensure the photocell (E) has no cover on it and is unobstructed.
- Ensure the switch powering the outlet connected to the light fixture is turned to the ON position and *leave it ON* at all times to enable dusk-to-dawn functionality to operate automatically.



(No cover on photocell for Dusk-to-Dawn Operation)



**TIP:** To test if the light fixture (A) and photocell (E) works properly run power to the fixture and cover the photocell to turn fixture ON. Shine a light into the photocell to see if fixture turns OFF.



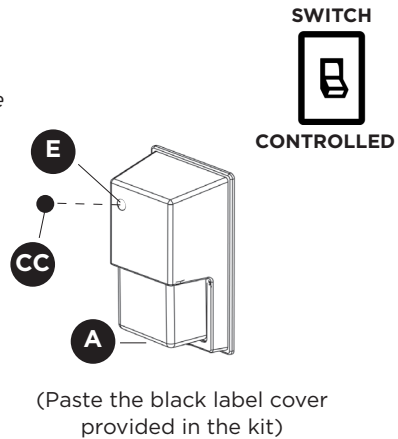
**NOTE:** If photocell (E) is located in an area under heavy shade the photocell may not detect enough light and may turn the light fixture on.

## Operation (continued)

### OPTION 2: SWITCH ACTIVATED

Switch activated operation enables the light fixture to turn ON and OFF by flipping a switch that controls the electricity to the outlet powering the fixture. The light fixture will not turn ON and OFF automatically, but is manually controlled.

- To enable switch activated operation paste the black cover sticker (provided in the hardware kit) on the photocell (E).



## Care and Cleaning

- Shut off main power supply before cleaning the product. To prolong the original appearance, clean the light fixture with clear water and a soft, damp cloth only.
- Do not use abrasive cleaners or cleaners that contain alcohol. Do not apply paints, solvents, or any other chemicals on this light fixture. They could cause a premature deterioration of the finish and may void the warranty.
- Do not spray the light fixture with a hose or power washer.

## Troubleshooting

Problem	Possible Cause	Solution
<b>Light does not turn ON</b>	No power to the fixture	Check if circuit breaker is tripped Confirm wall switch is ON Verify wiring to fixture is correct (turn power off to fixture beforehand)
	Fixture is sensing daylight	Cover photocell. Wait several seconds until fixture turns ON.
<b>Light cycles ON and OFF continuously</b>	Photocell light sensor is sensing reflected light	Relocate light fixture to a location where there is no reflected light. OR place the optional photocell cover over the photocell light sensor and use the wall switch to turn the light ON and OFF.
<b>Light FLICKERS</b>	The light fixture is wired through a dimmer switch.	Do not use a dimmer switch to control the light fixture. Replace the dimmer with a standard ON/OFF switch.

## Troubleshooting (continued)

Problem	Possible Cause	Solution
<b>Light stays ON</b>	Light sensor is in a shaded area	Shine a flashlight into the light sensor and wait a couple minutes. If the light turns OFF, the fixture should be moved to a location with enough light in the daylight hours for the light sensor to work. OR place the optional opaque cover over the photocell light sensor and use the wall switch to turn the light ON and OFF.
	Light Sensor is faulty	If the light does not turn off when a flashlight is shined on the light sensor for a few minutes, then the sensor may be faulty. Please contact customer service.



**NOTE:** Photocell (E) may have a few minute delay, to reduce it's sensitivity to sudden light changes. When testing shine a light/cover the photocell for a few minutes to check if fixture functions properly

## 5-Year Limited Warranty