

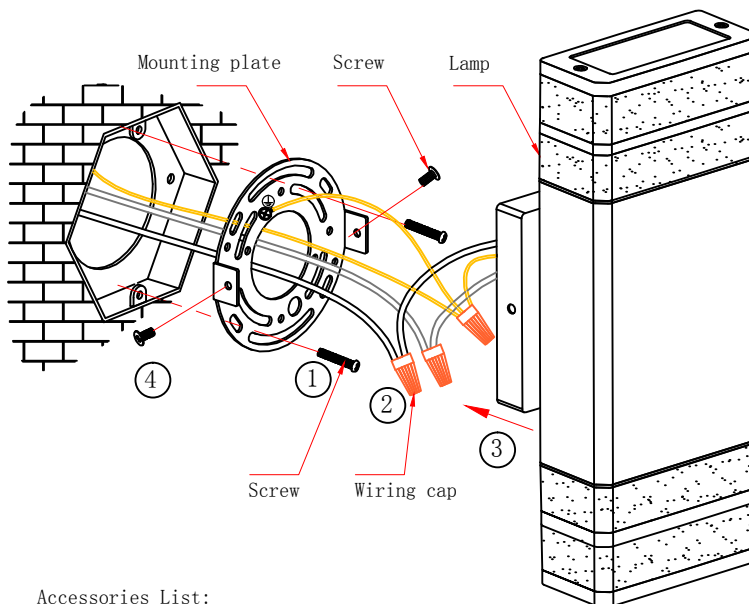
Installation Manual for Wall lamp

(Warning: Cut off the power before installation to prevent electric shock)




SPECIFICATIONS

Lamp tube material	aluminum
Shade material	PC
size	9.84*4.33*3.35 inch
weight	1.92 lb
Voltage	AC100-277V
Watts	10W (5W*2)
Bulb type	LED
long life	>50000h

- 1 Taking out the Mounting plate and Screw from the accessories package, Then fix the Mounting plate on the mounting hole with screw.
- 2 Distinguish the file line, zero line and ground line with Wiring cap and connecting well
- 3 Fixing the mounting hole with mounting plate, tighten the screw ,complete the installation.



Accessories List:

		
Screw	Wire connector	Instruction
2PCS	3PCS	1 PCS