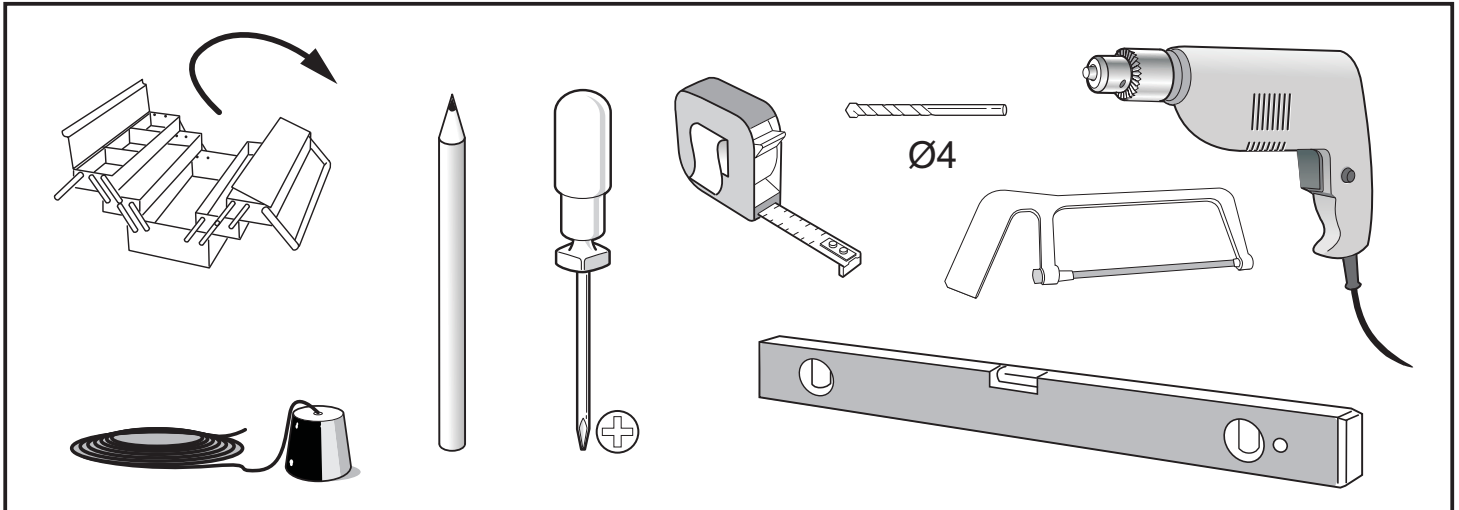



PRE-INSTALLATION

TOOLS REQUIRED

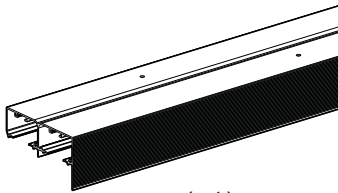


HARDWARE INCLUDED

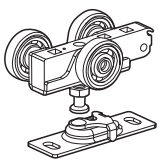
Track Length	Screw Quantity
48"	(x7)
60"	(x9)
72"	(x11)
96"	(x15)



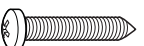
ST4.2x32



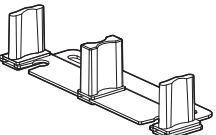
(x1)




(x4)



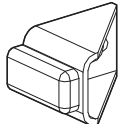
ST5.5x32 (x8)



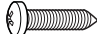
(x1)



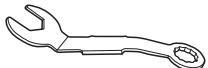
ST4.2x19 (x2)



(x1)



ST4.2x19 (x3)



(x1)

LUBANN is a trademark registered by Valley BLVD Trading and Investment Co.,LTD
 Technical Support: business phone: 909-445-0404

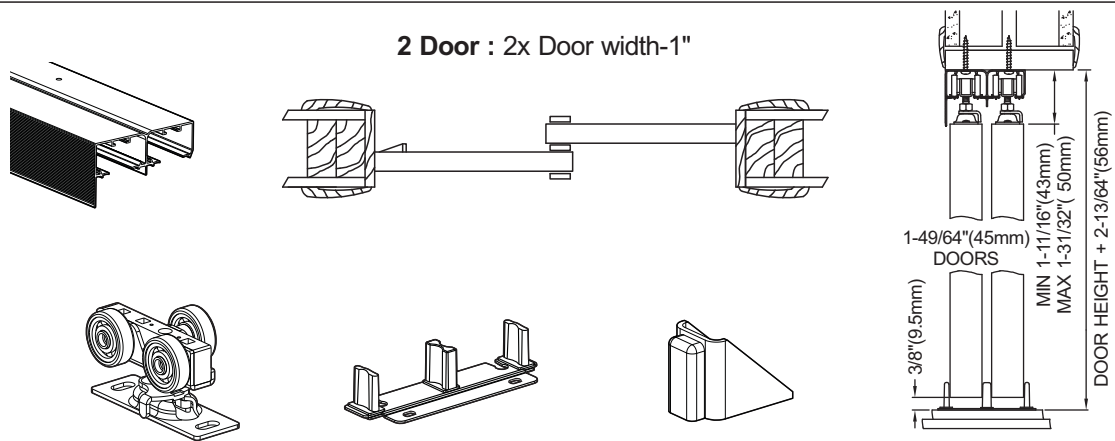
Questions? Email us lubannus@gmail.com
 Check out LUBANN products at www.lubannus.com

INSTRUCTIONS

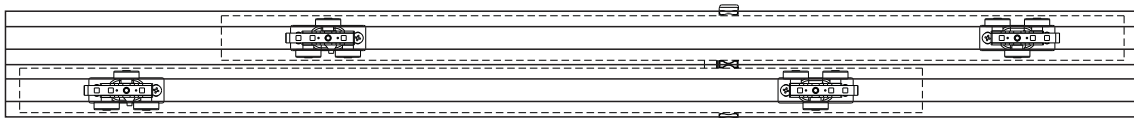
SLIDING DOOR HARDWARE

Fits 35 and 45mm thick wood door
each door max weight 150lbs

**PREPARE OPENING CAREFULLY: MAKE SURE CORNERS ARE SQUARE,
HEADER IS LEVEL AND JAMBS ARE STRAIGHT.**

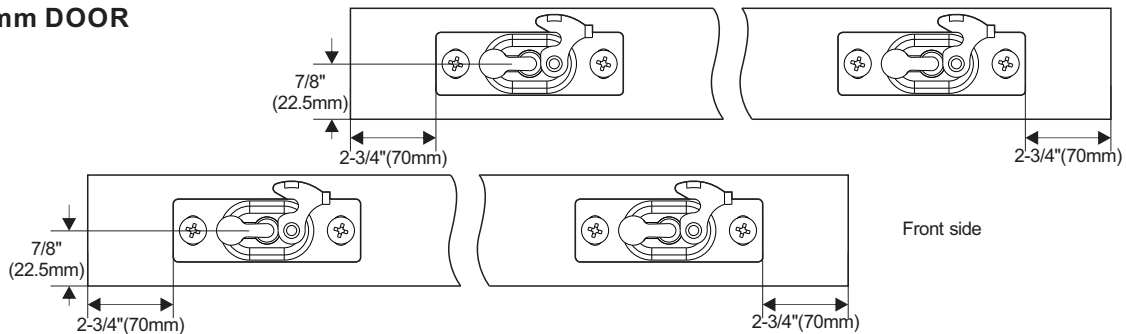


- 1 Mount Track to Header:** Cut track to fit opening. insert **Hangers** into track and mount to header with 1-1/4"(32mm) #8 pan head screws.

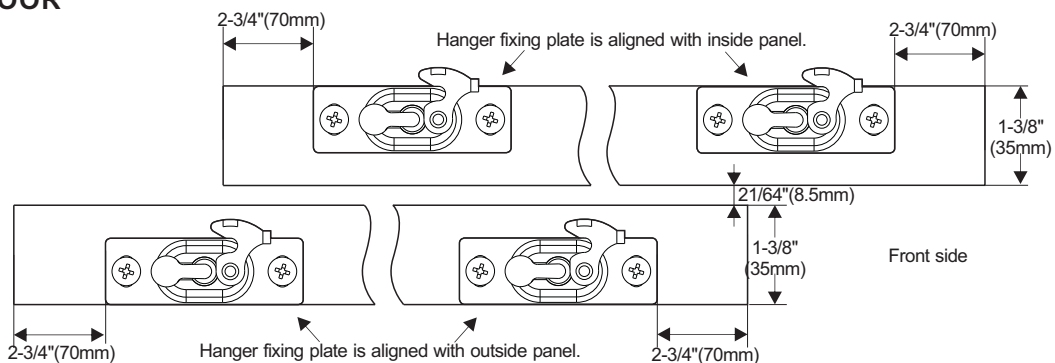


NOTE: Alternate hanger wheel assemblies in track to provide even pressure.

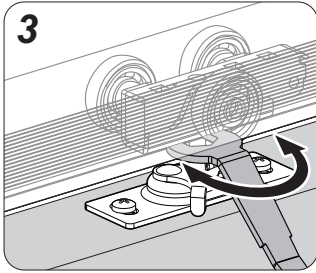
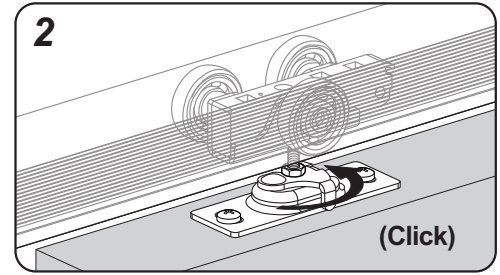
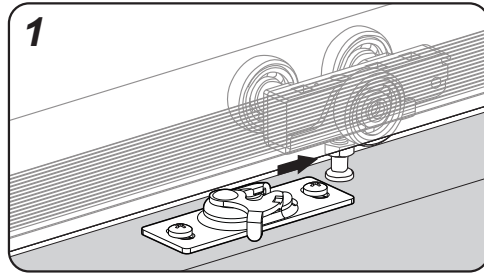
- 2 Mount Hanger Plates to Door:** Fasten door plates to top of door, 2-3/4"(70mm) from each edge. **45mm DOOR**



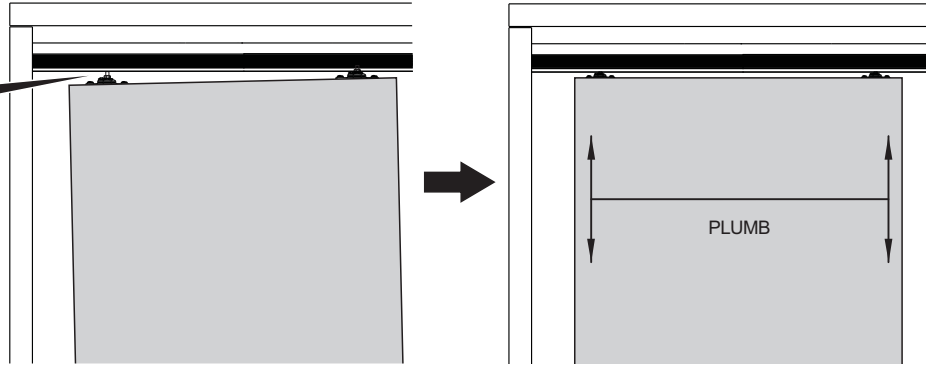
35mm DOOR



3 Hang Door on front leg of track first. Slide pivot pin of hanger into socket and lock into place with clip. Check for smooth travel. Repeat with rear door.



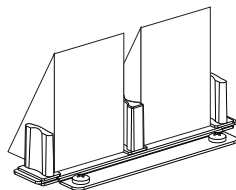
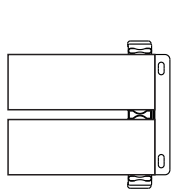
Use spanner to adjust door height



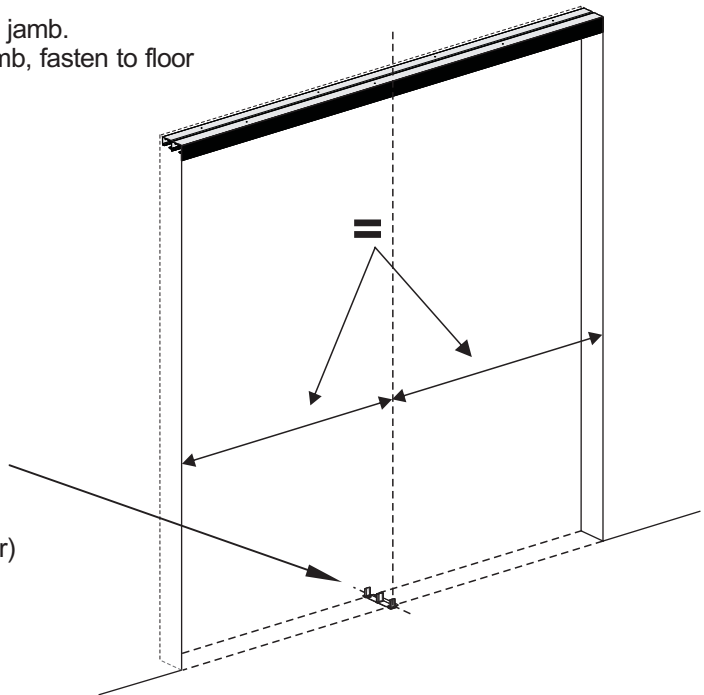
4 Install Bottom Guide: Slide both doors to side jamb. Place guide between doors and position to plumb, fasten to floor with screws.



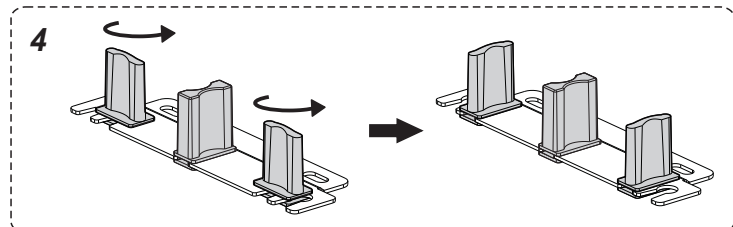
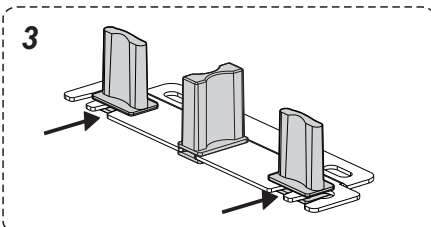
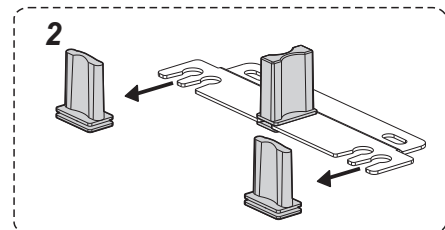
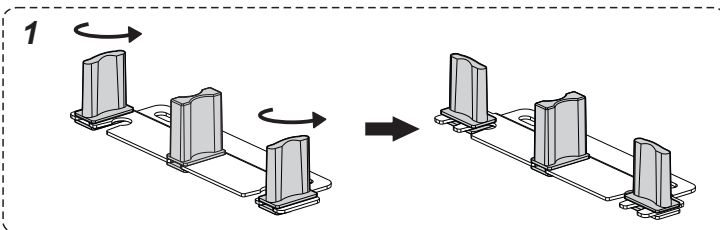
#6 x 3/4" (19mm)



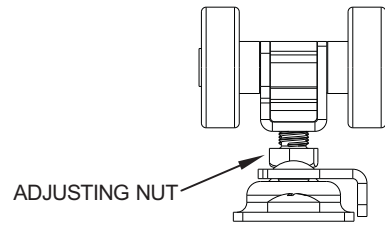
(default for 45 thick door)



⚠ Floor guide installation instruction for 35mm thick wood door :

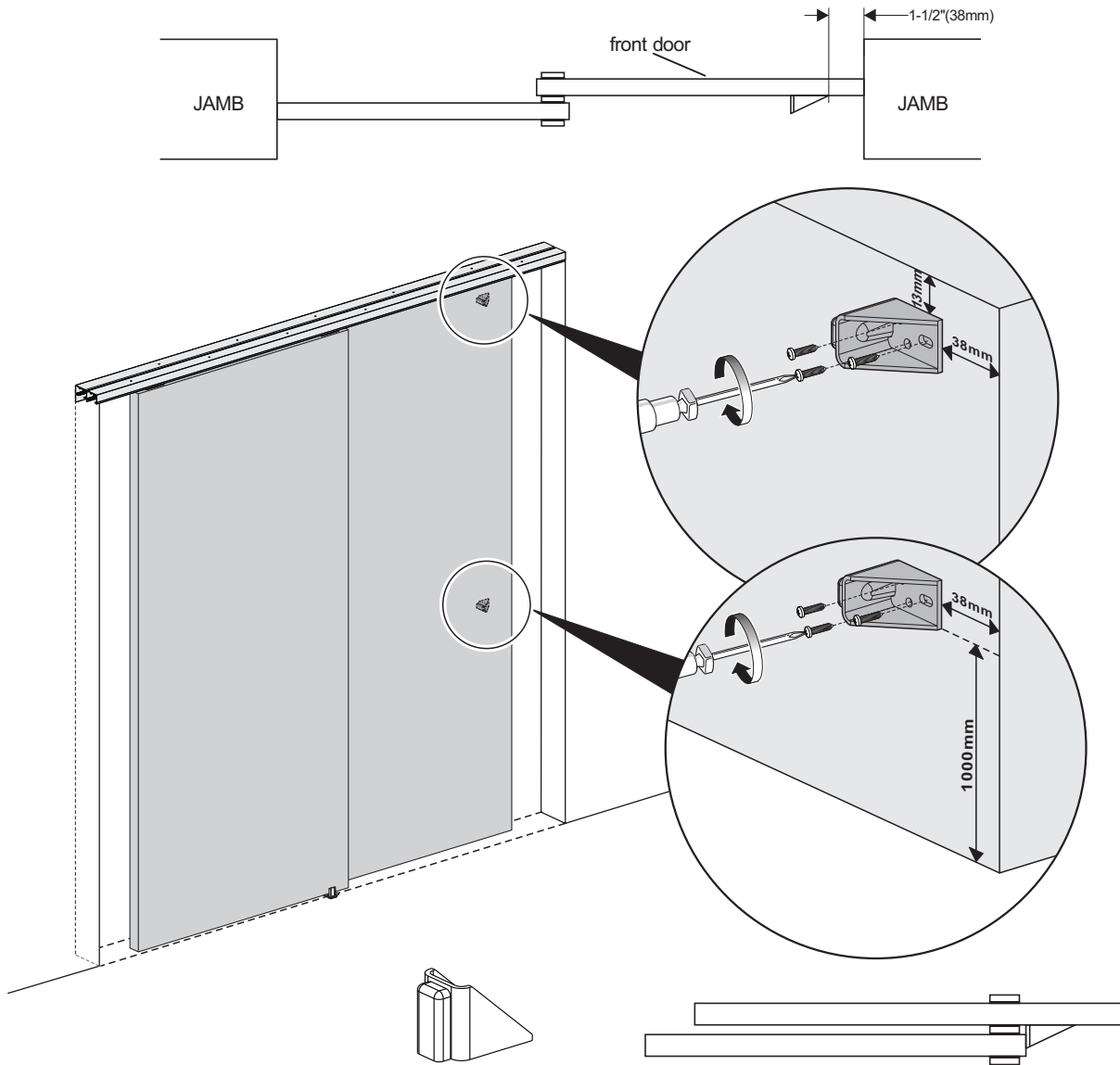


5 Adjust Hangers, if necessary, to plumb doors with jambs.



6 Install Stop: Attach Stop on rear of front door 1-1/2"(38mm) from door edge, 1/2"(13mm) from top (Hollow Core) or 40"(1000mm) from bottom (Solid Core) doors.

Note: if other than pull is used, adjust location of stop to allow for access to rear door pull.



⚠ Cutting Instructions: The length of the guide rail can be cut according to actual needs.

