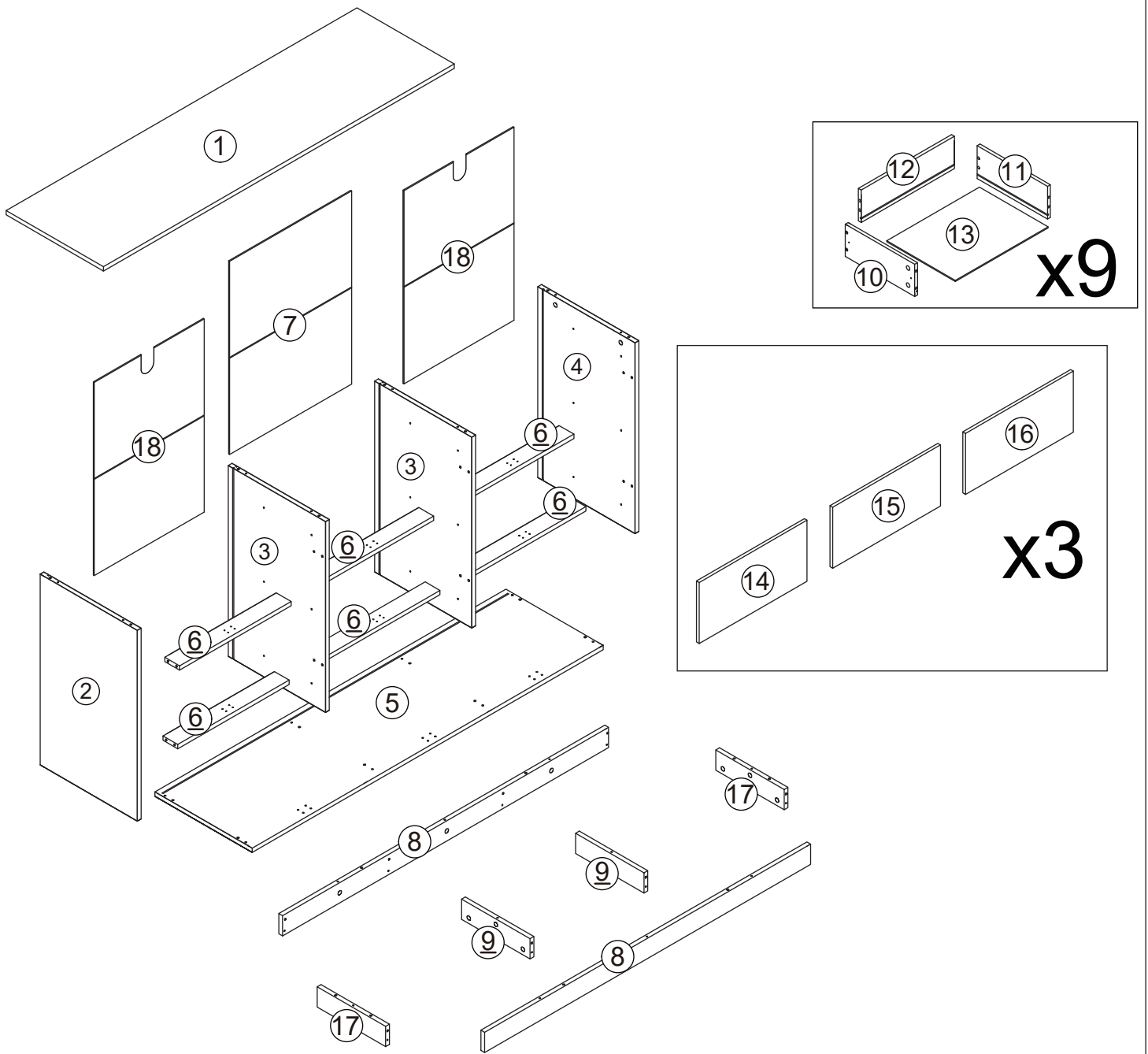




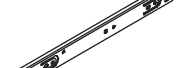

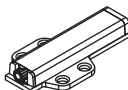
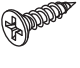
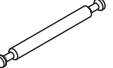
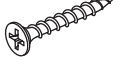
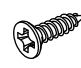
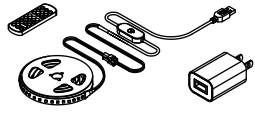


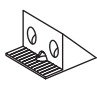
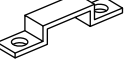
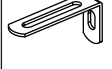


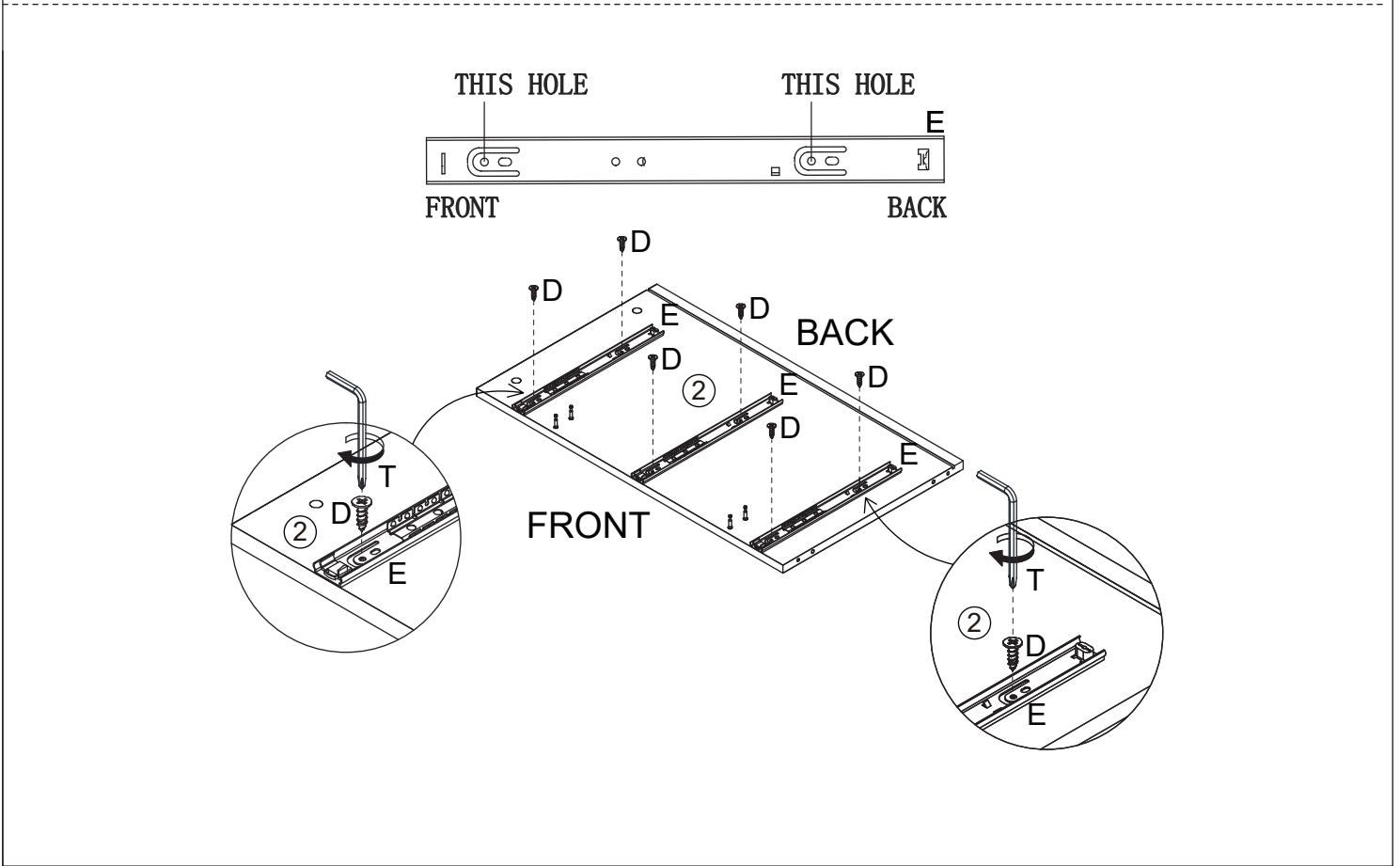
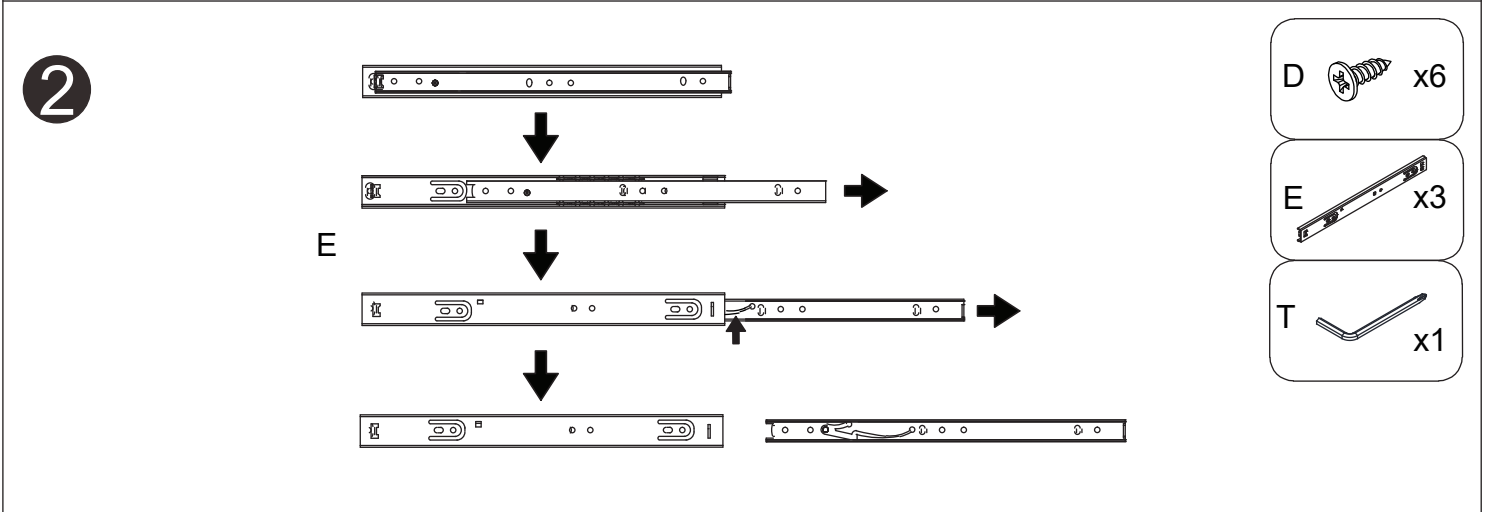
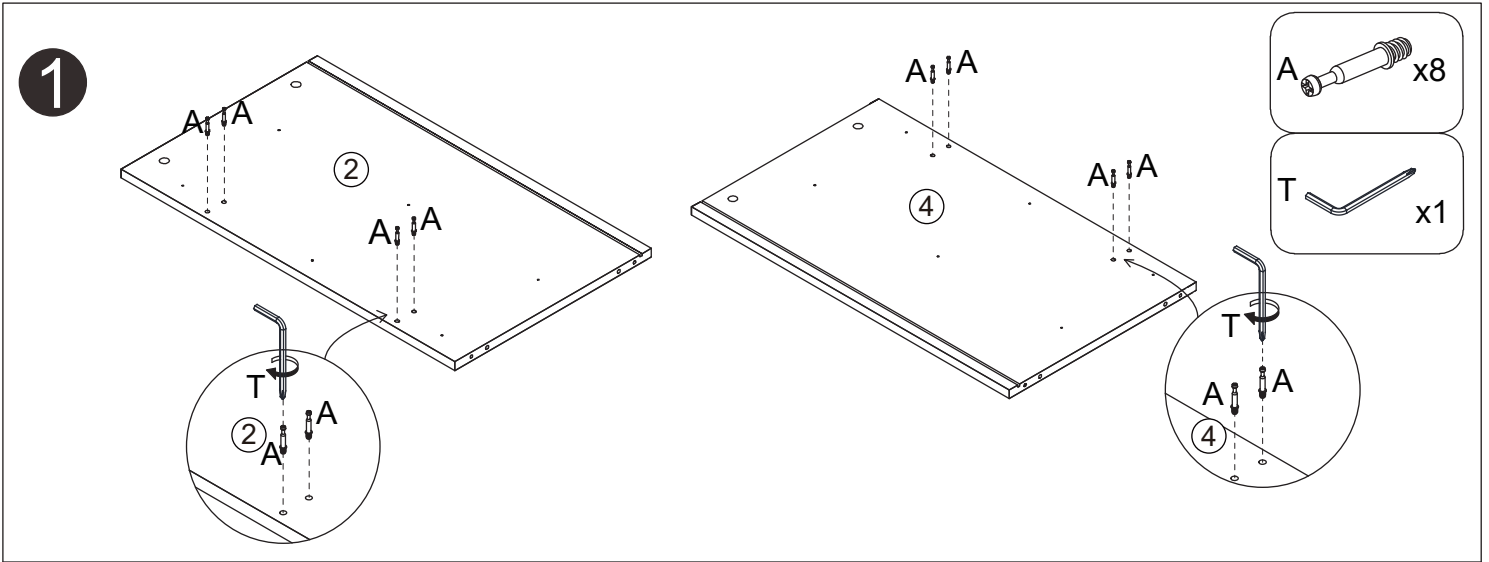


User Manual

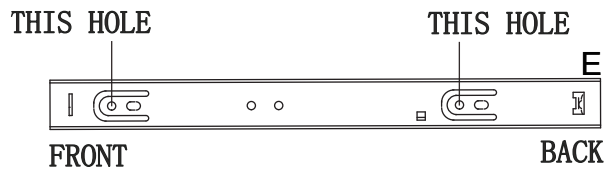
Nine Drawer Chest



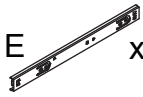
											
6X35mm	15X10mm	7X30mm	3.5X12mm		4X12mm						
A	70pcs+2	B	86pcs+2	C	32pcs+2	D	72pcs+2	E	18pcs	F	36pcs+2
											
	3X16mm		4X30mm	3X12mm							
G	9pcs	H	12pcs+1	J	8pcs+1	K	36pcs+2	L	18pcs+2	M	1set
											
4X11mm	4X40mm										
N	9pcs	P	8pcs+1	Q	12pcs+1	R	9pcs	S	2set	T	1pc




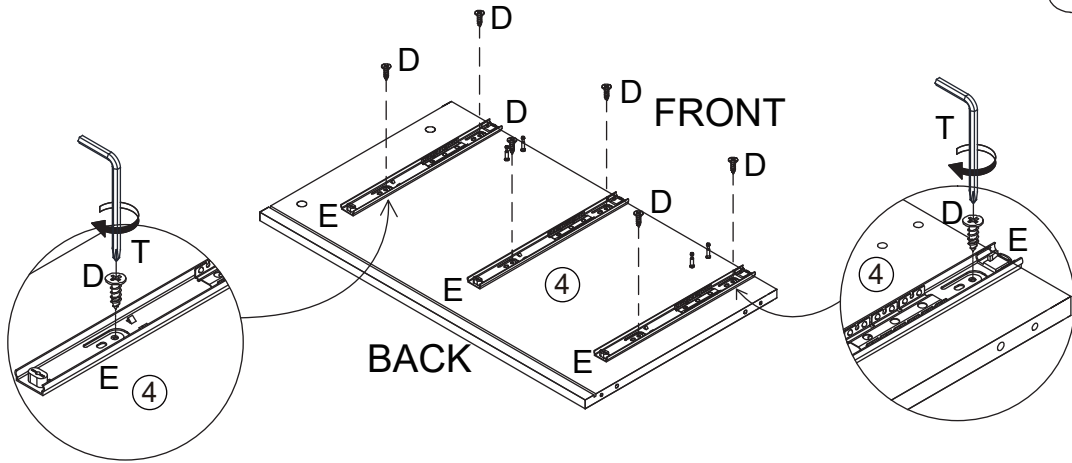
3



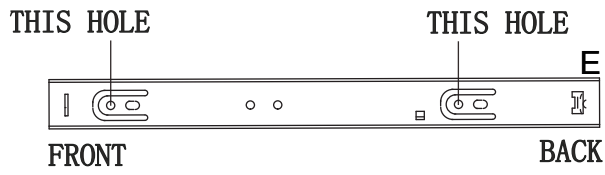
D  x6

E  x3

T  x1




4

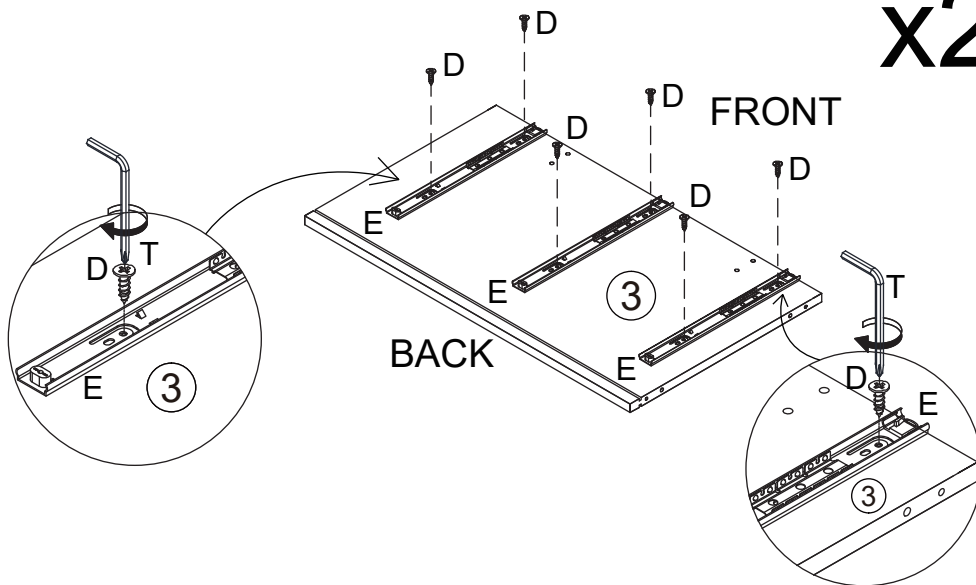


D  x12

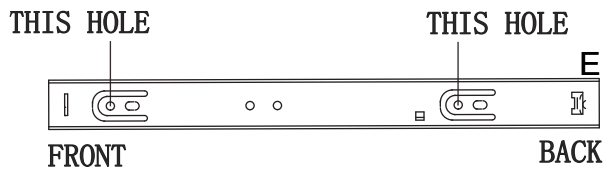
E  x6


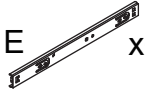

T  x1

x2

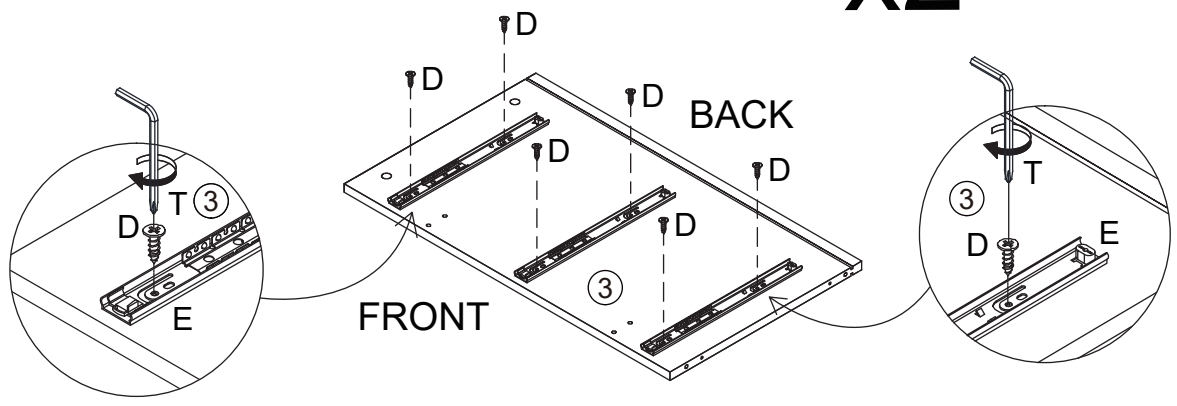


5

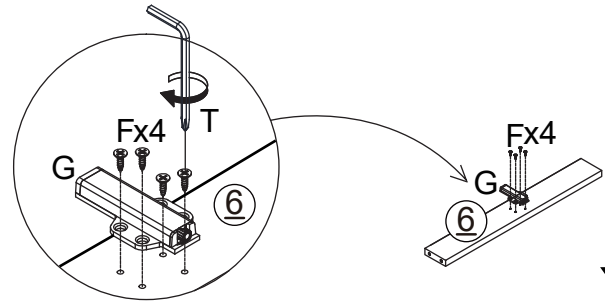



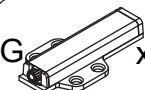

- D  x12
- E  x6
- T  x1

x2

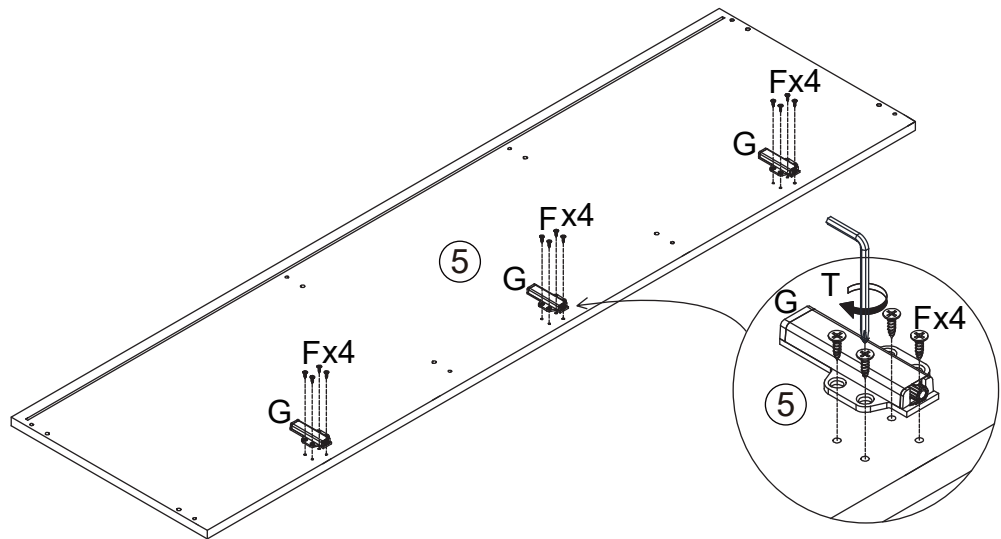


6



- F  x36
- G  x9
- T  x1

x6

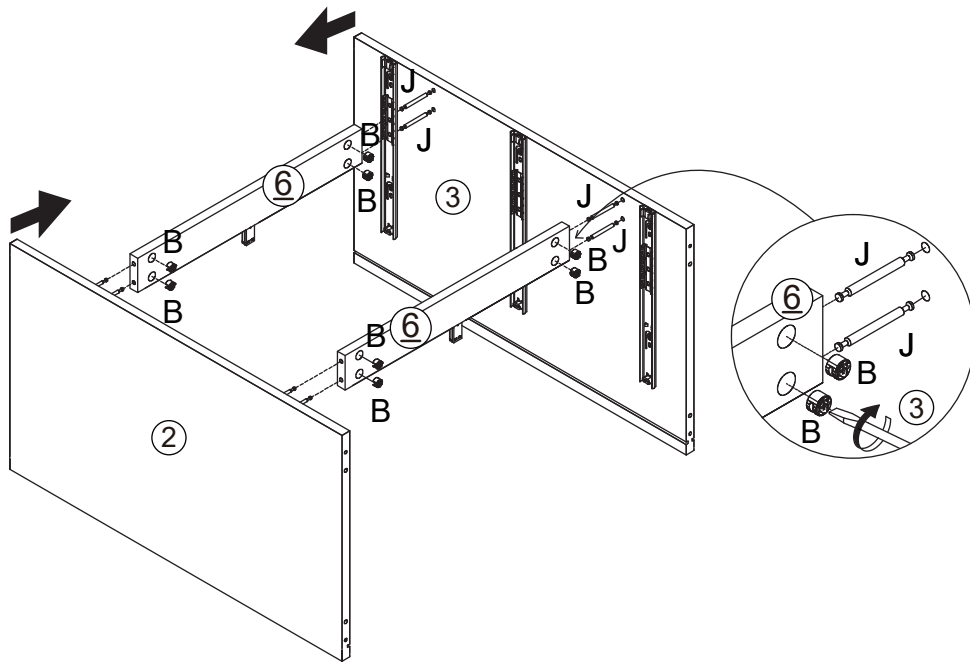


7

Do not use an electric screwdriver, do not use force during the rotation of the accessories, otherwise it may cause the board to crack.

J x4

B x8

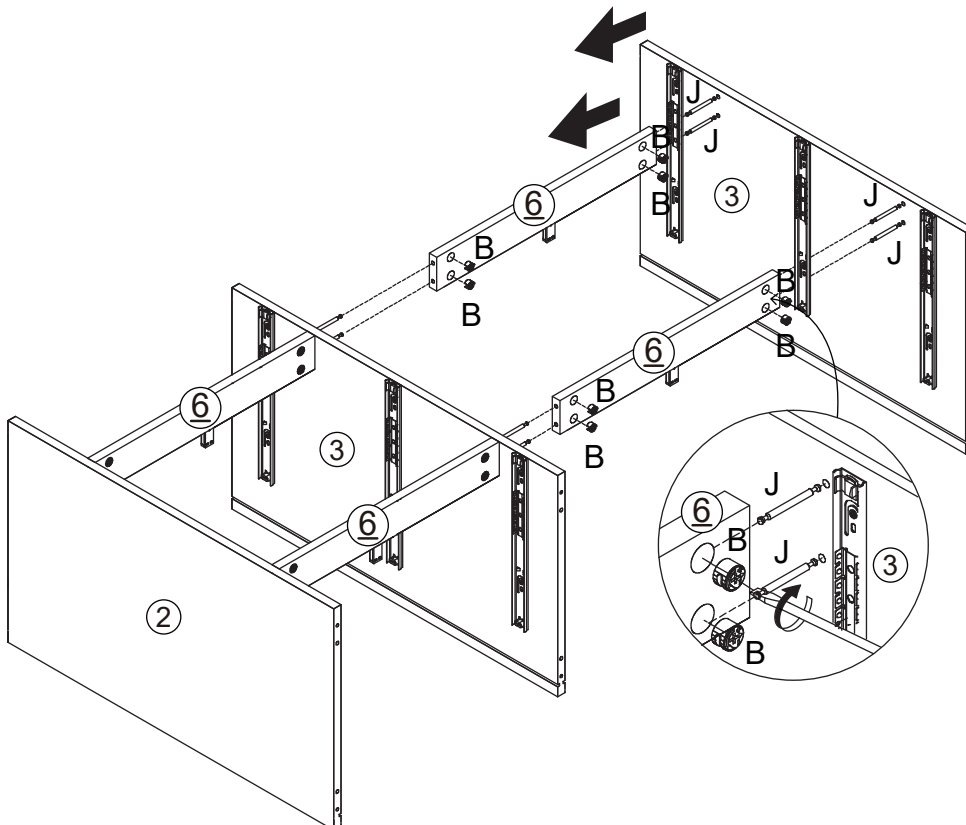


8

Do not use an electric screwdriver, do not use force during the rotation of the accessories, otherwise it may cause the board to crack.

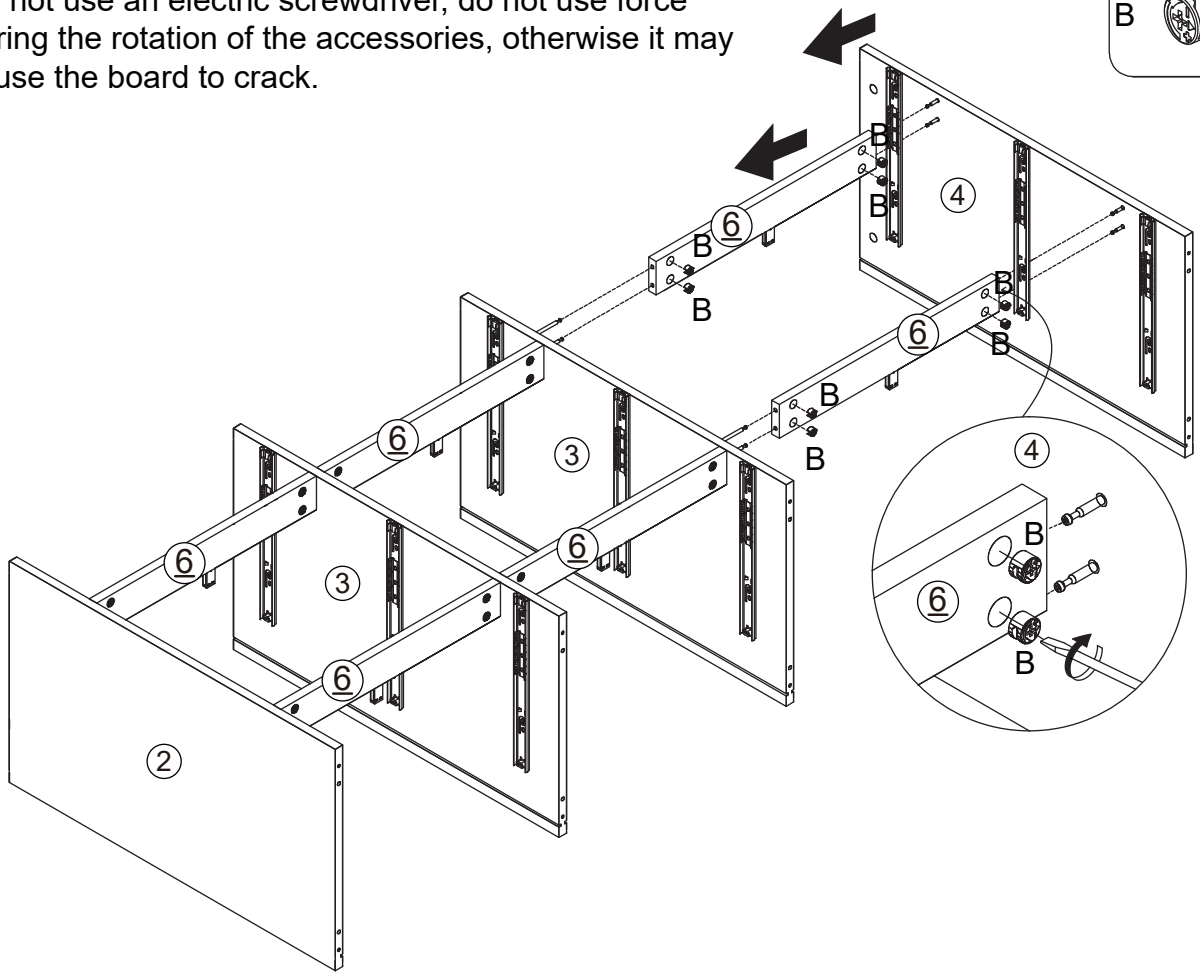
J x4

B x8

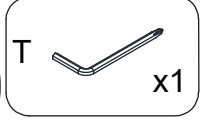
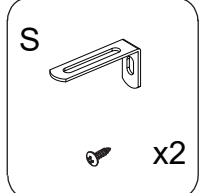
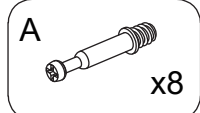
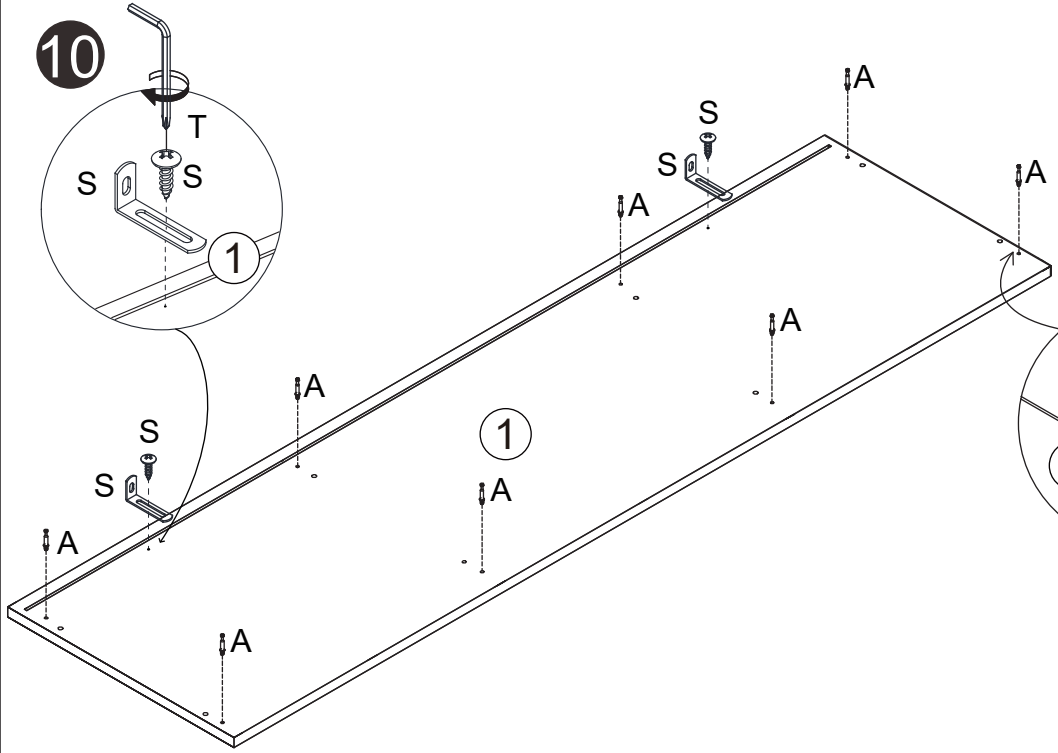


9

Do not use an electric screwdriver, do not use force during the rotation of the accessories, otherwise it may cause the board to crack.

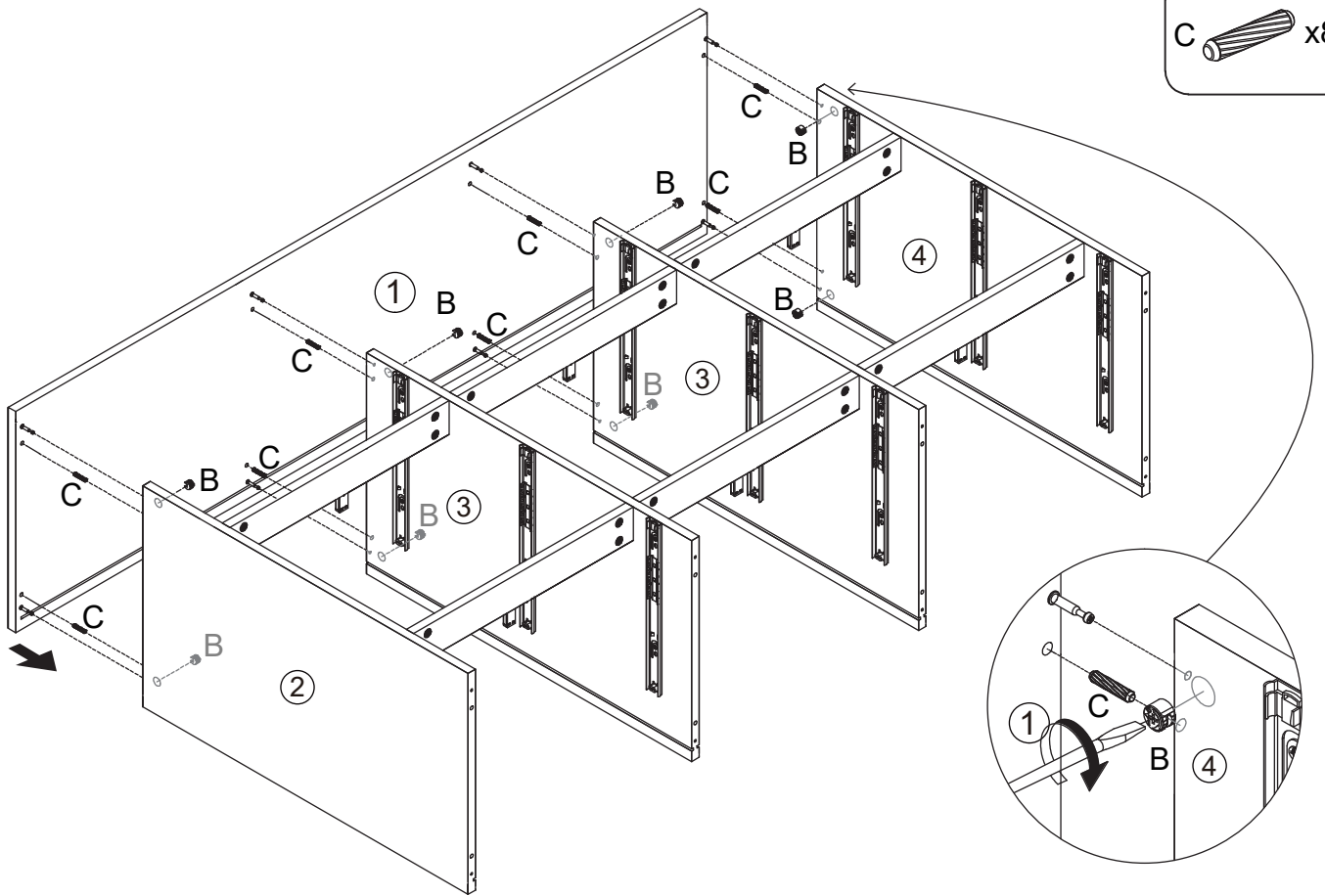


10

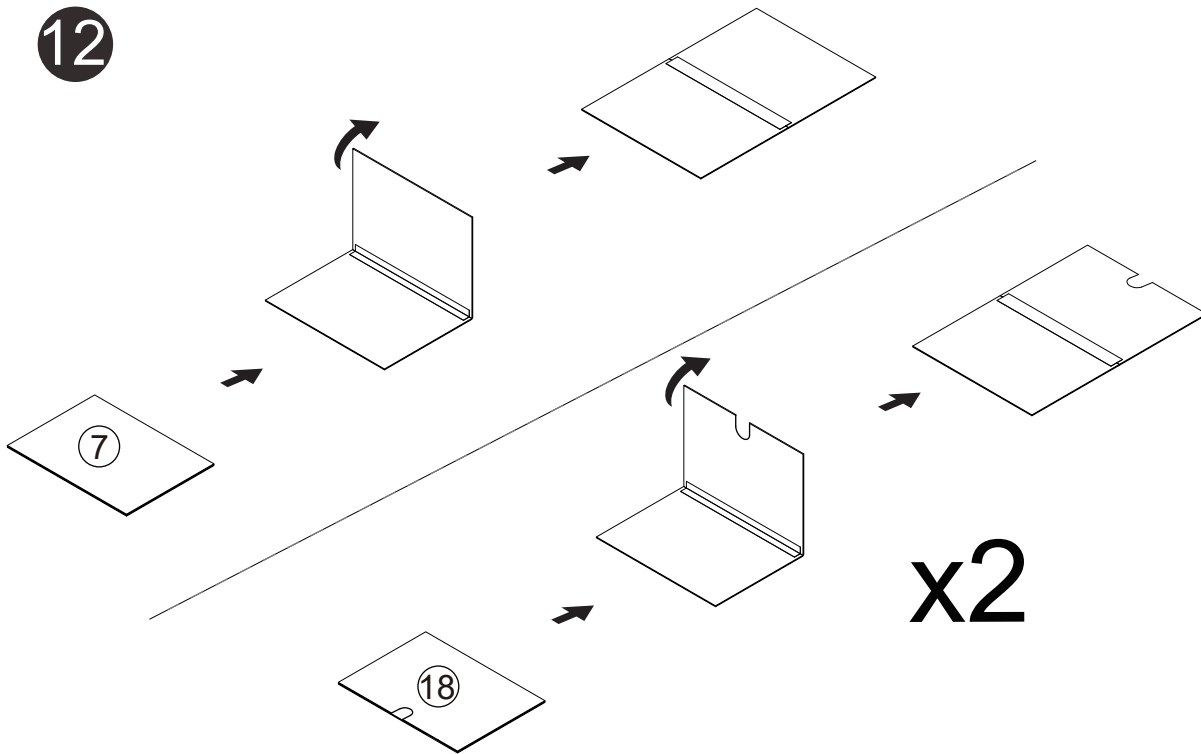


11

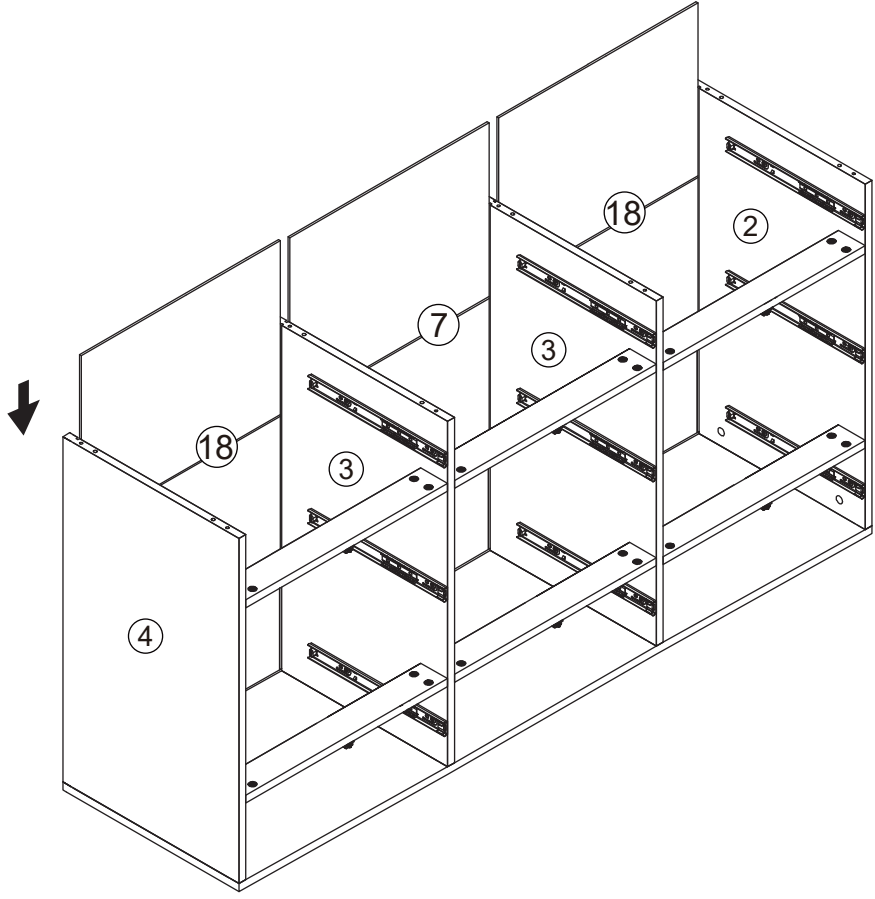
Do not use an electric screwdriver, do not use force during the rotation of the accessories, otherwise it may cause the board to crack.



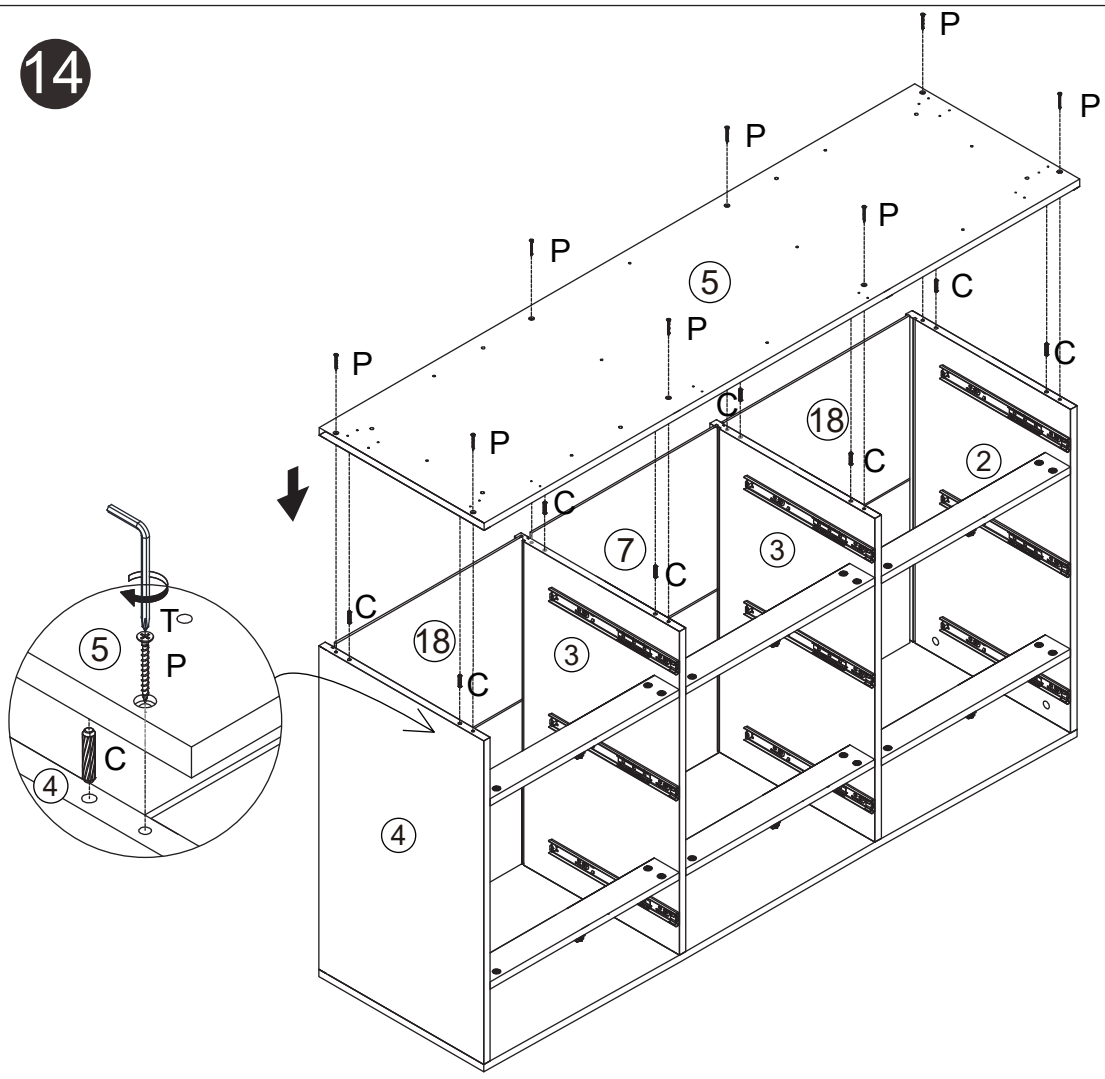
12

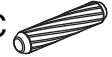




13

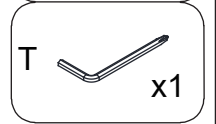
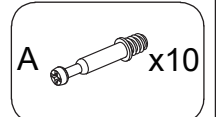
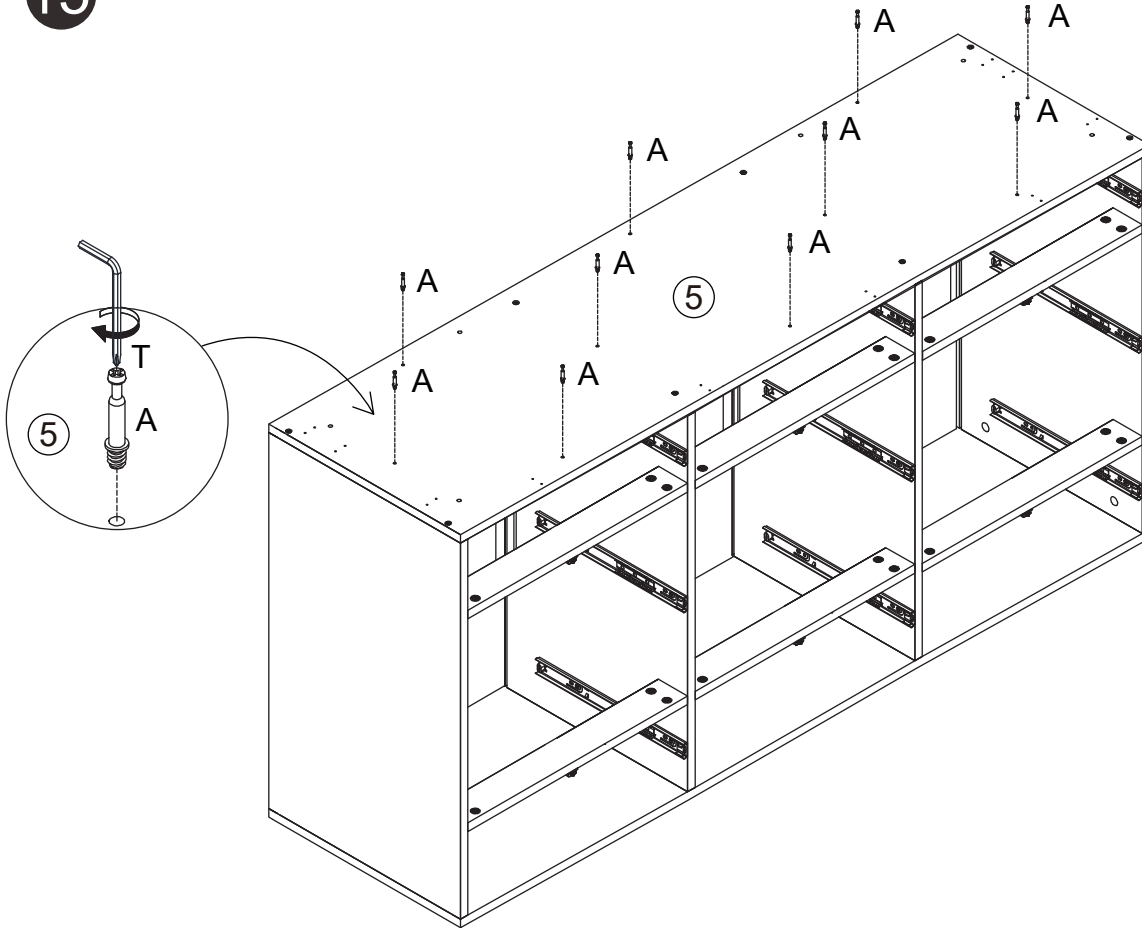


14

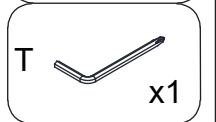
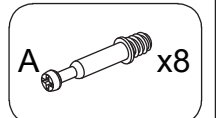
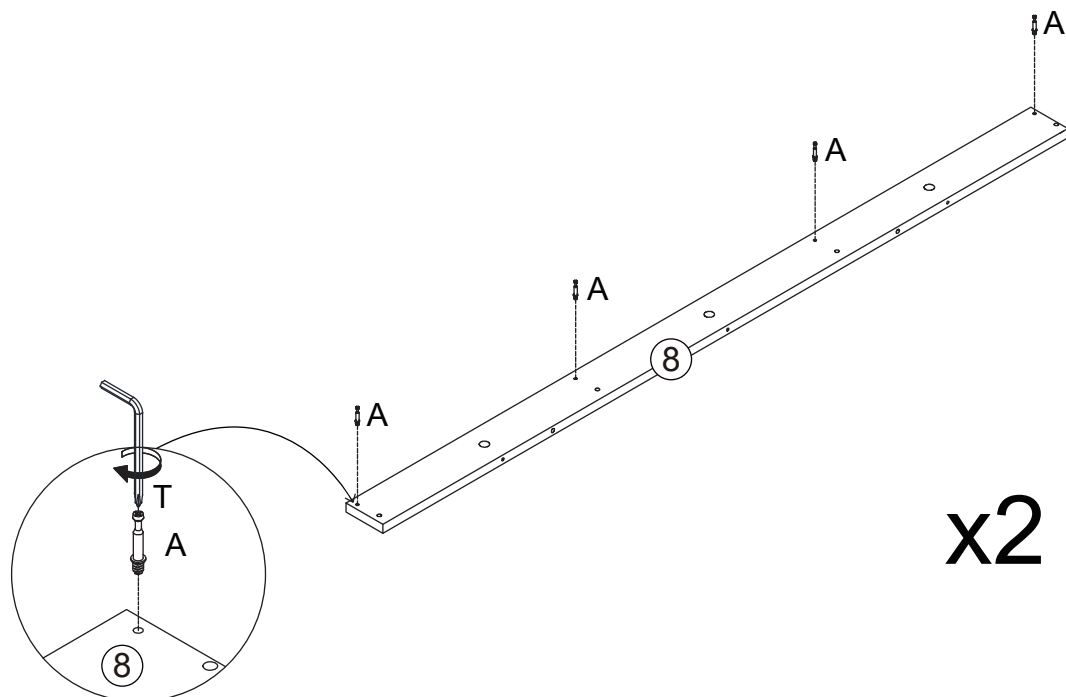


- C  x8
- P  x8
- T  x1

15

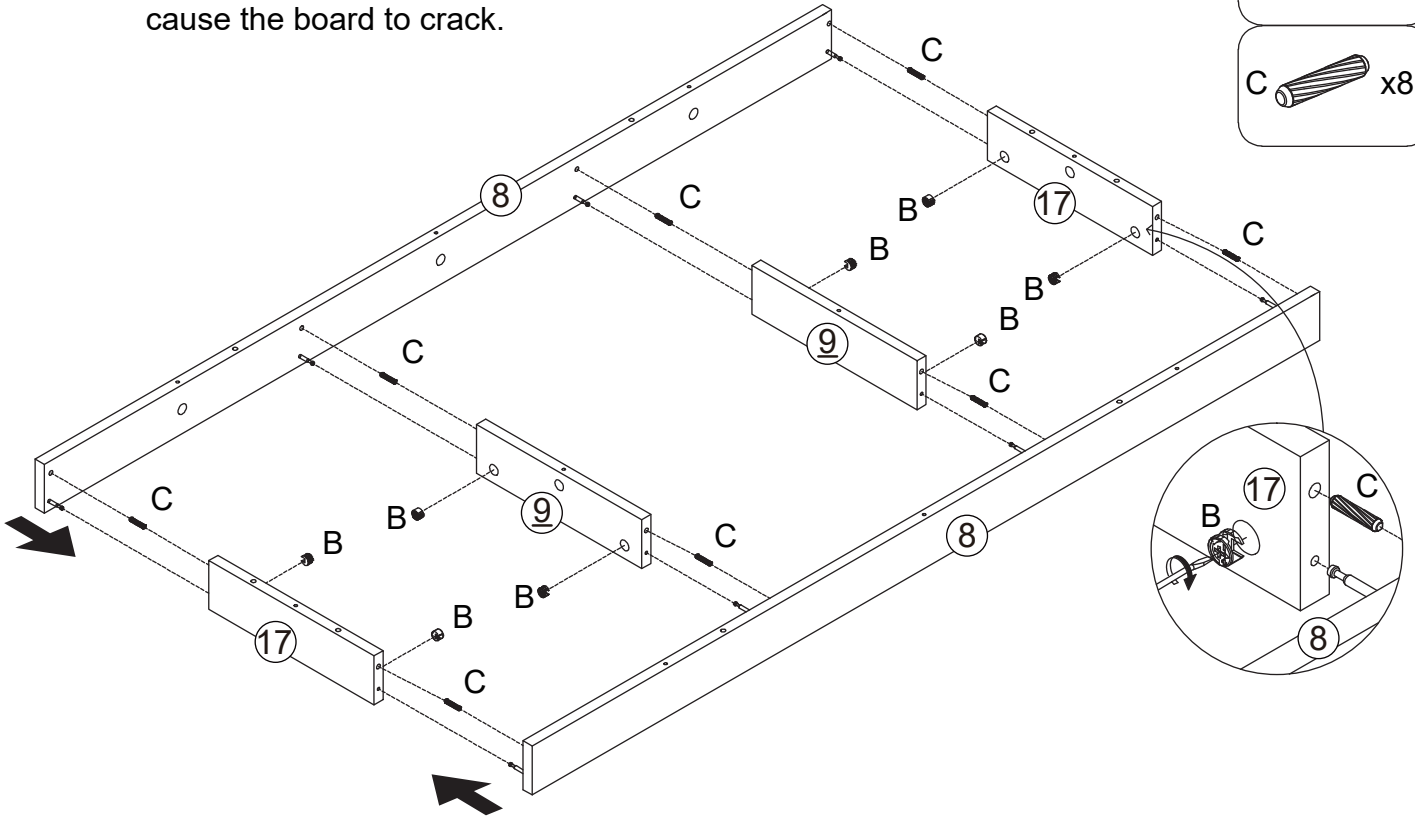


16



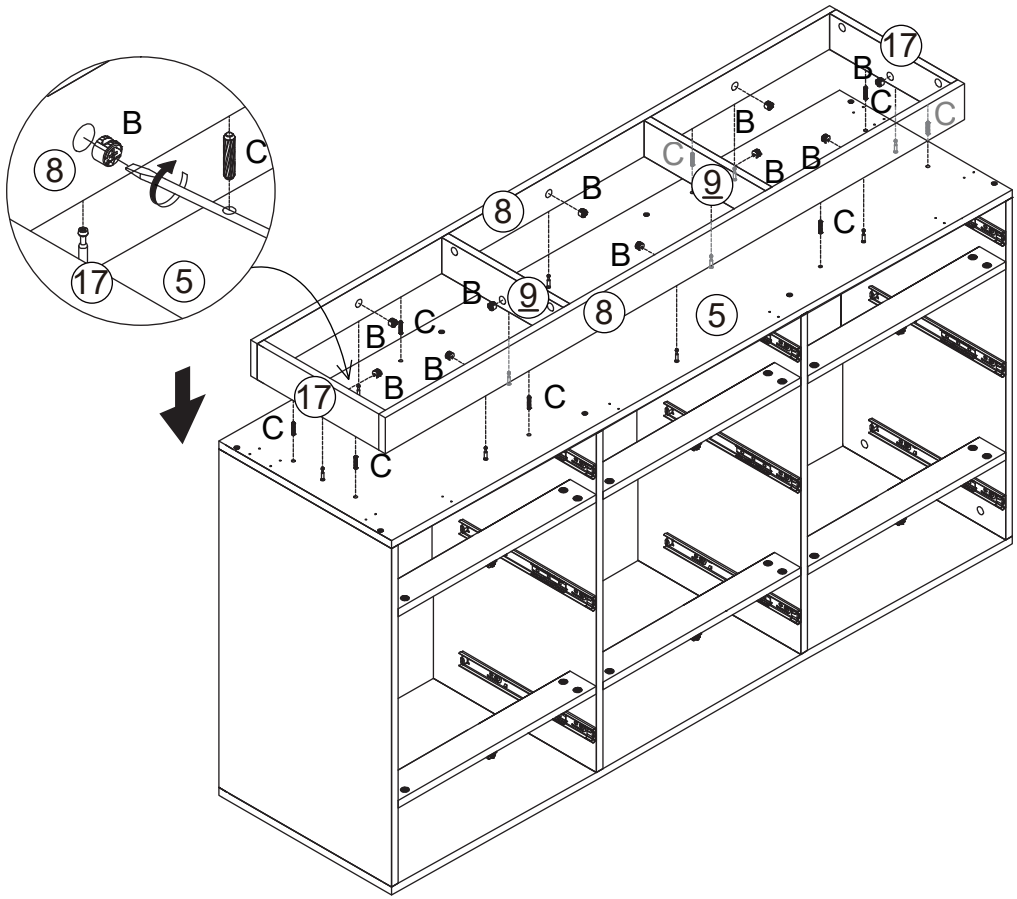
17

Do not use an electric screwdriver, do not use force during the rotation of the accessories, otherwise it may cause the board to crack.

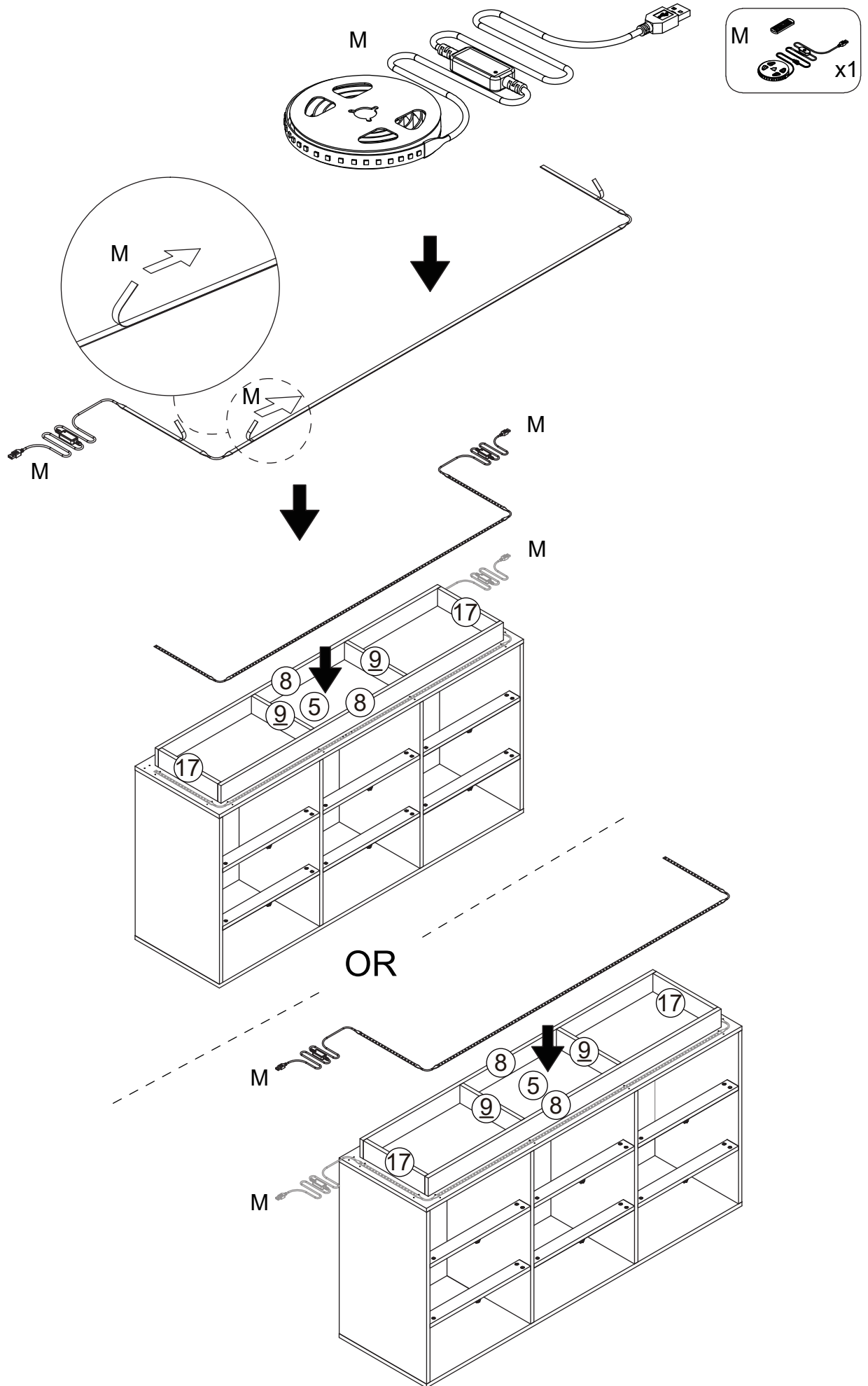


18

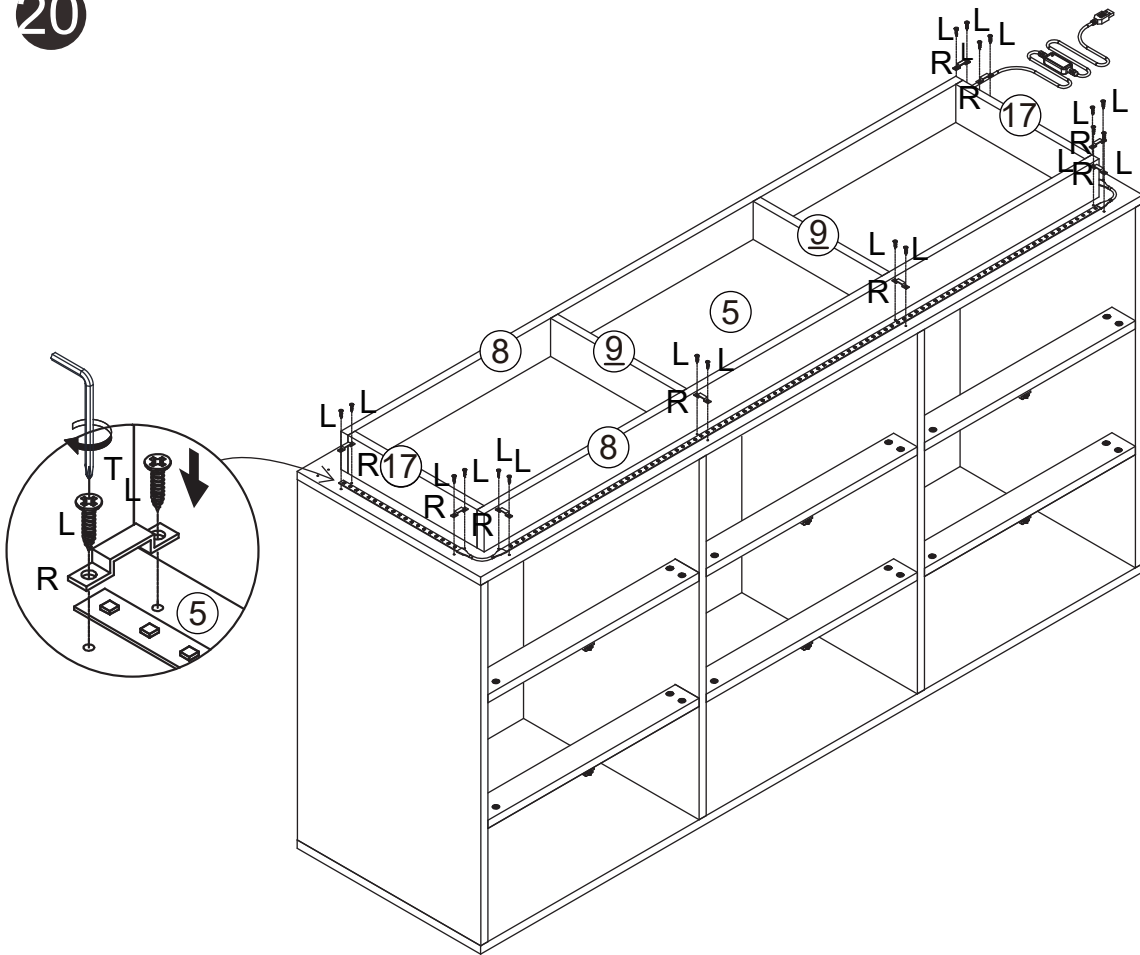
Do not use an electric screwdriver, do not use force during the rotation of the accessories, otherwise it may cause the board to crack.

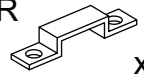




19

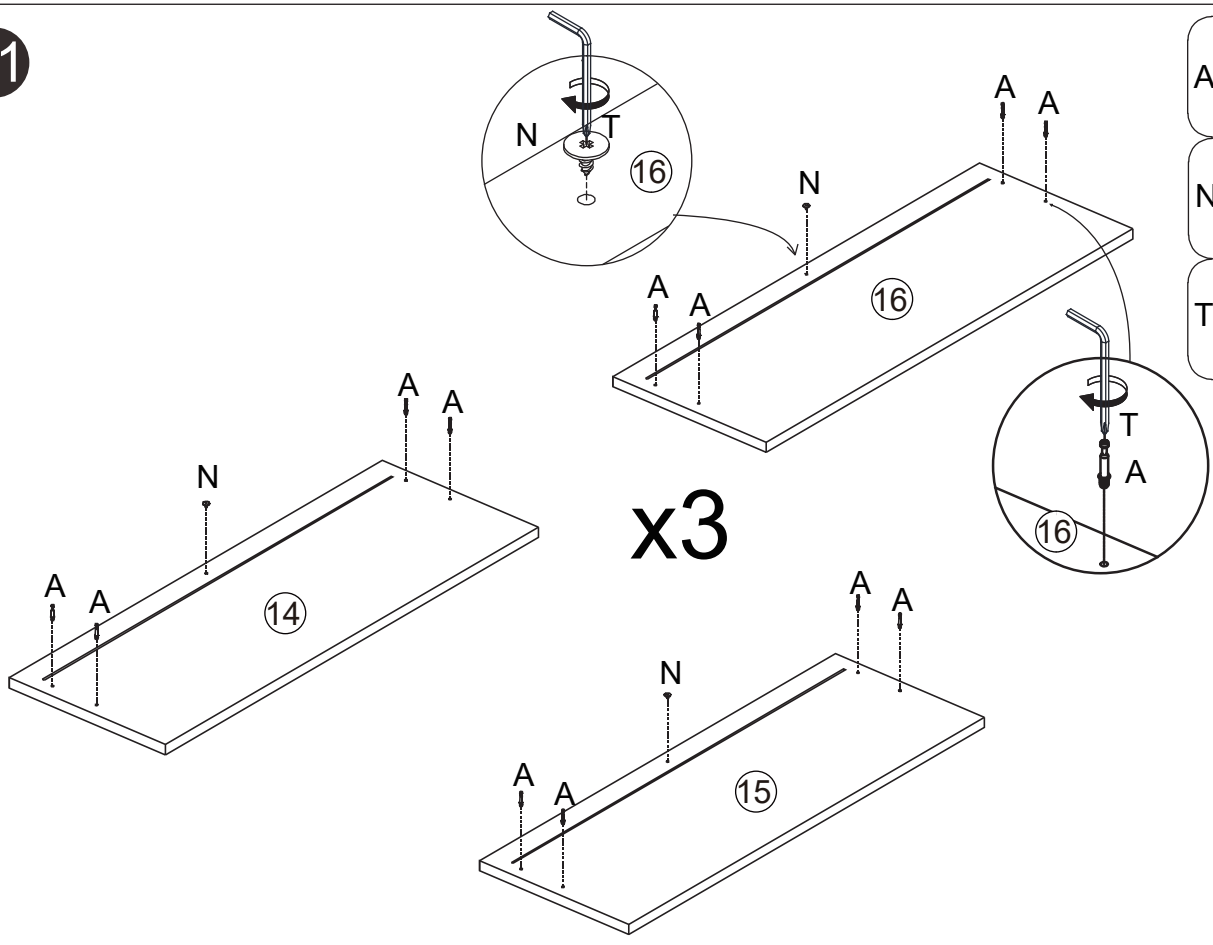


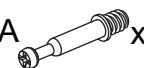
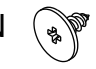

20



- R  x9
- L  x18
- T  x1

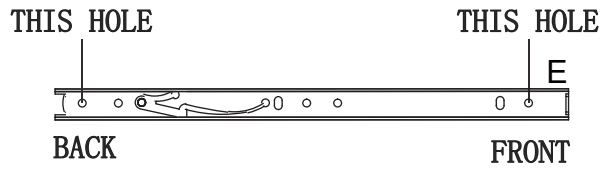
21


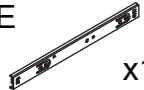



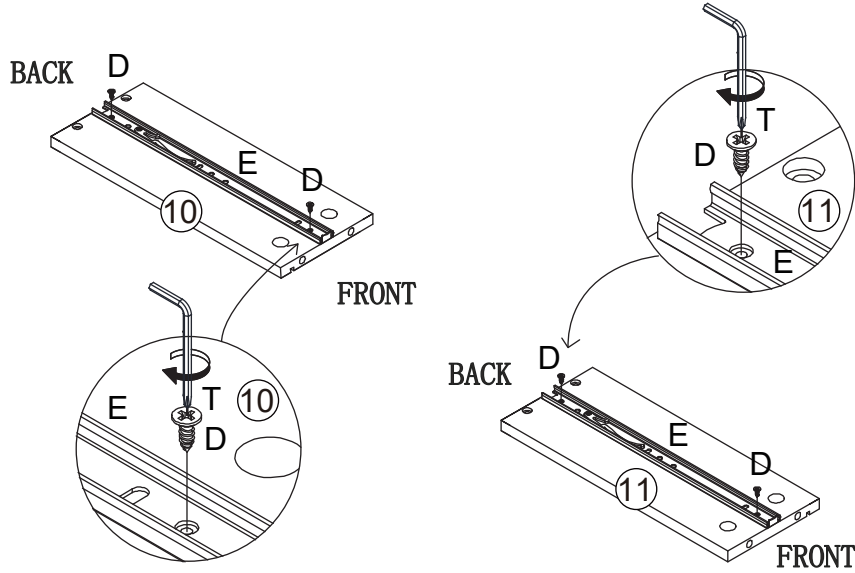
- A  x36
- N  x9
- T  x1

x3

22

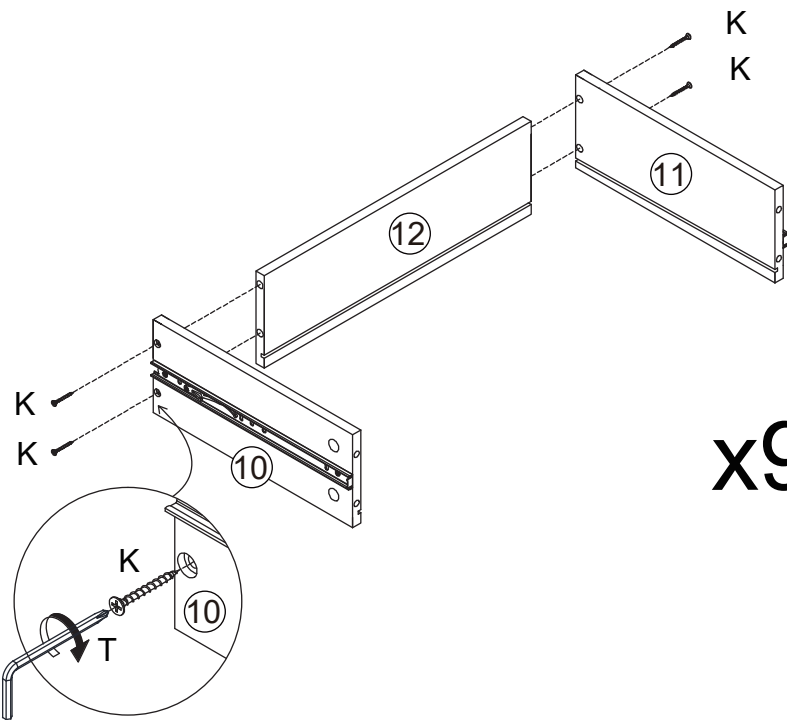


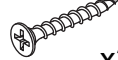

- D  x36
- E  x18
- T  x1



x9

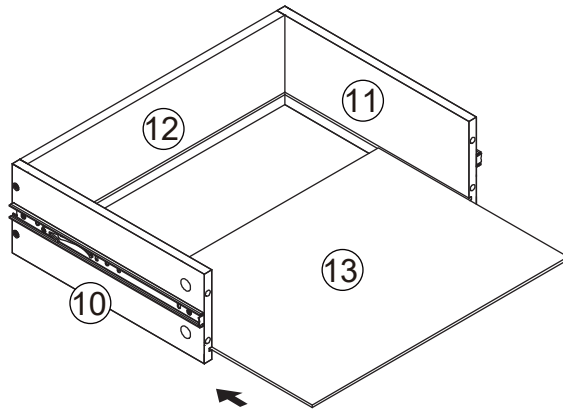
23



- K  x36
- T  x1

x9

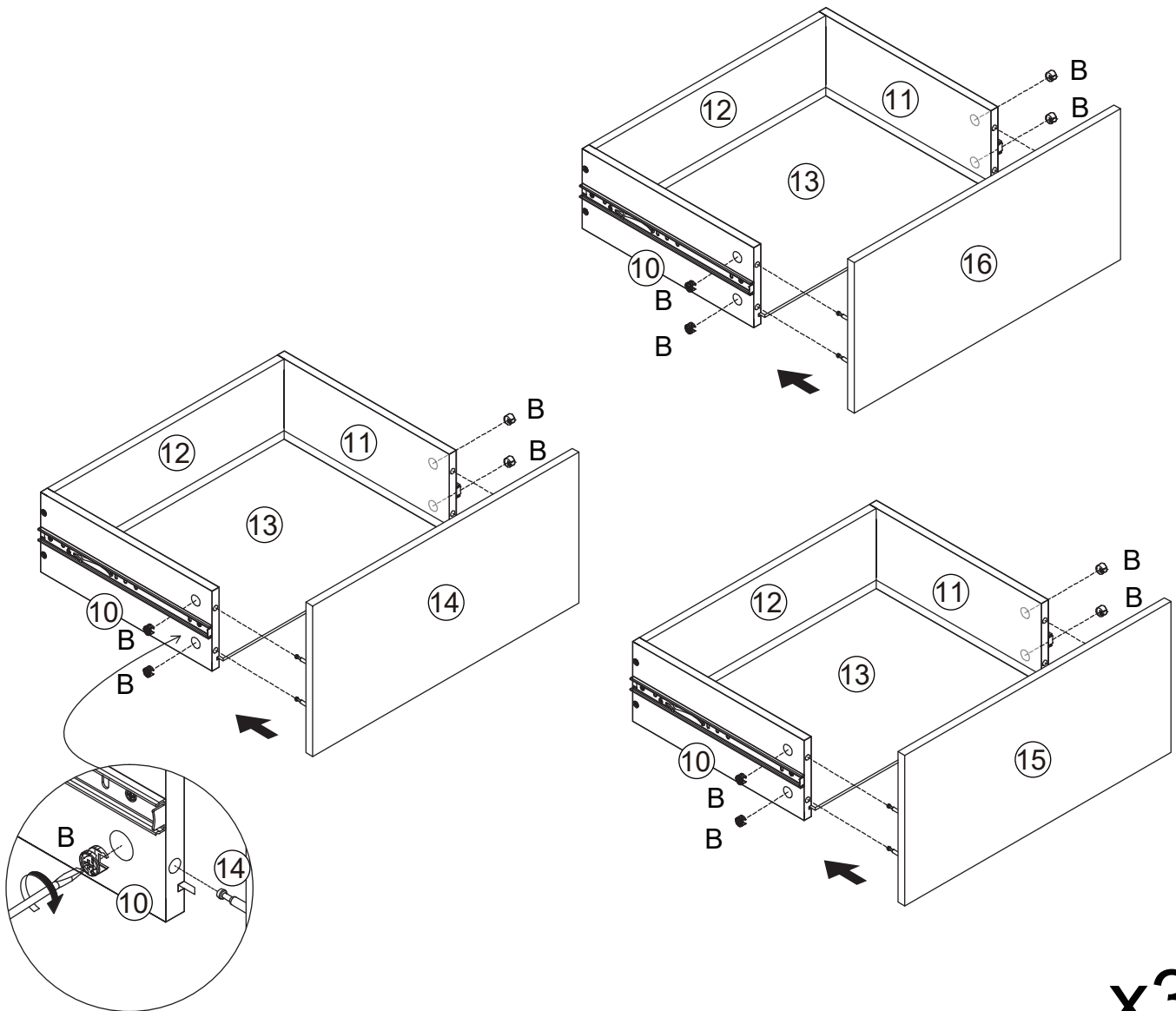
24



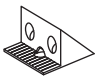
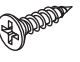

x9

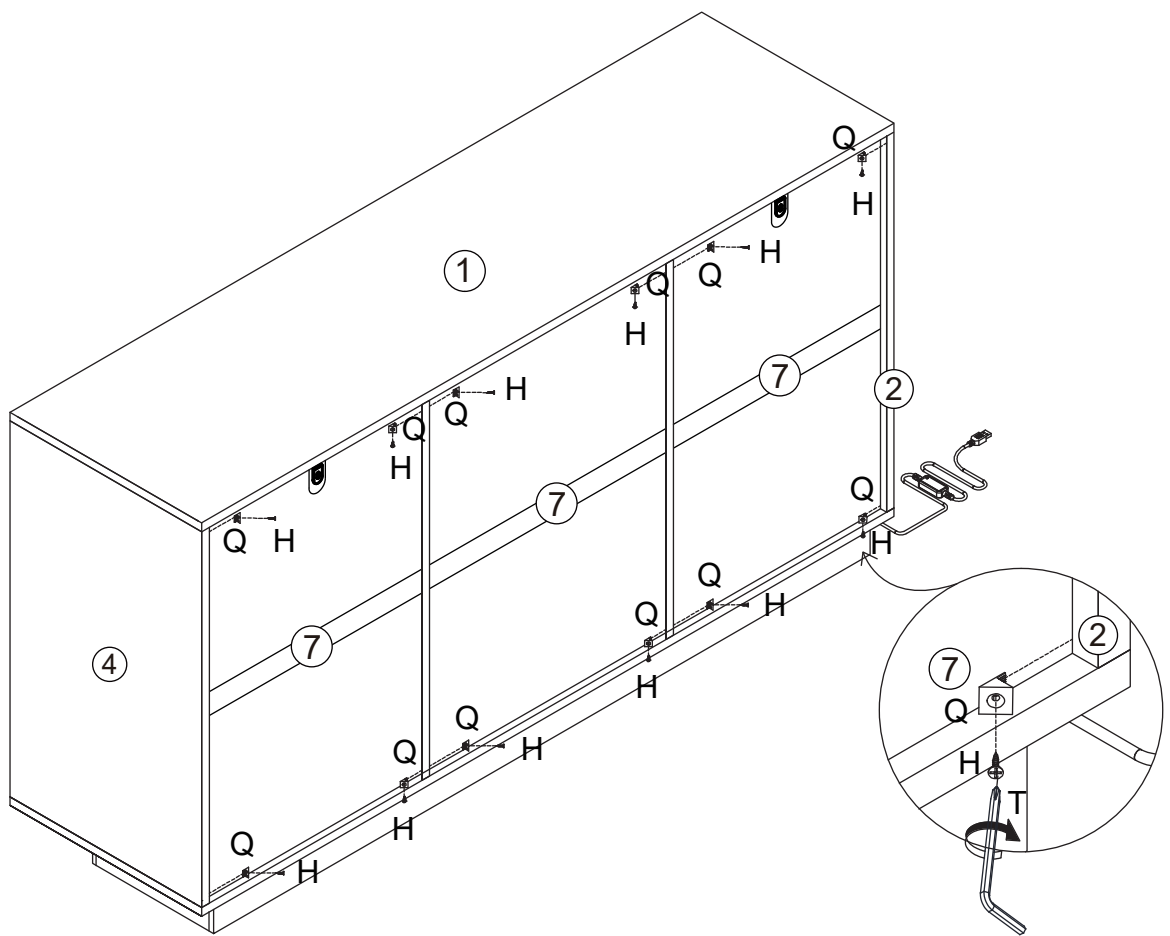
25

Do not use an electric screwdriver, do not use force during the rotation of the accessories, otherwise it may cause the board to crack.

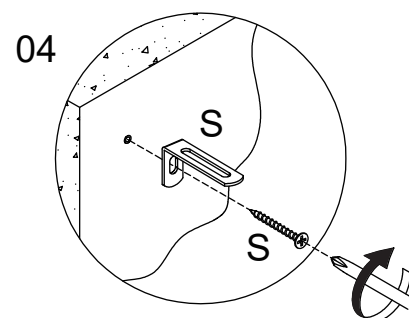
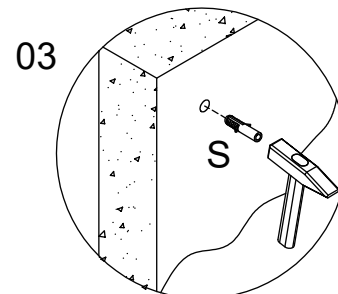
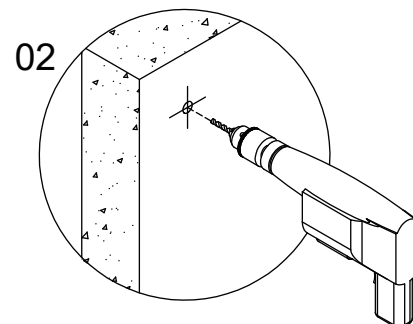
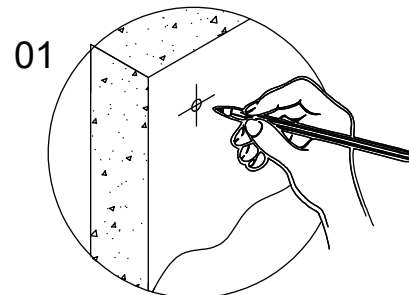
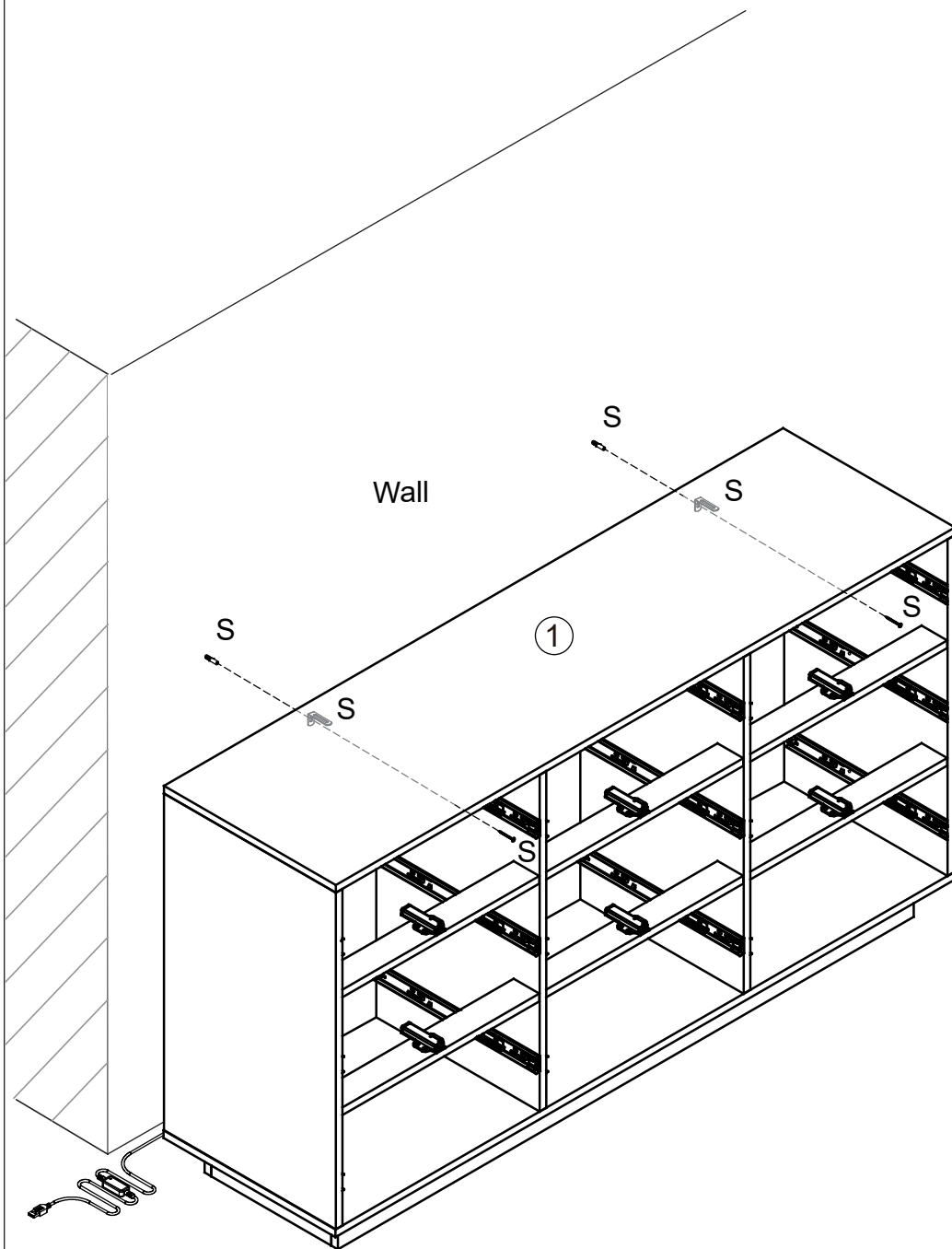
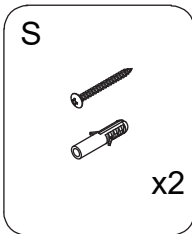


x3

- Q  x12
- H  x12
- T  x1



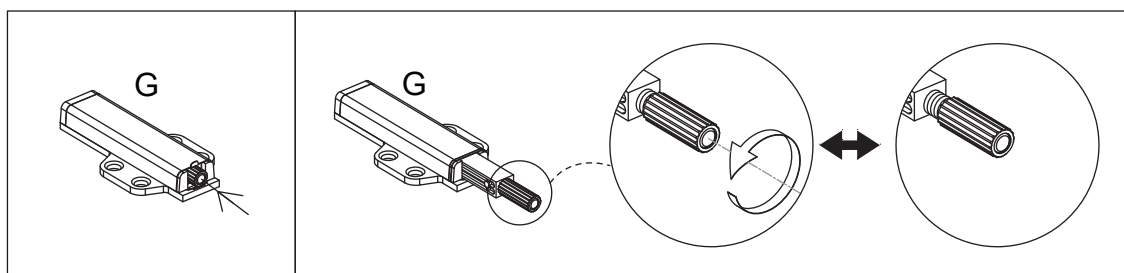
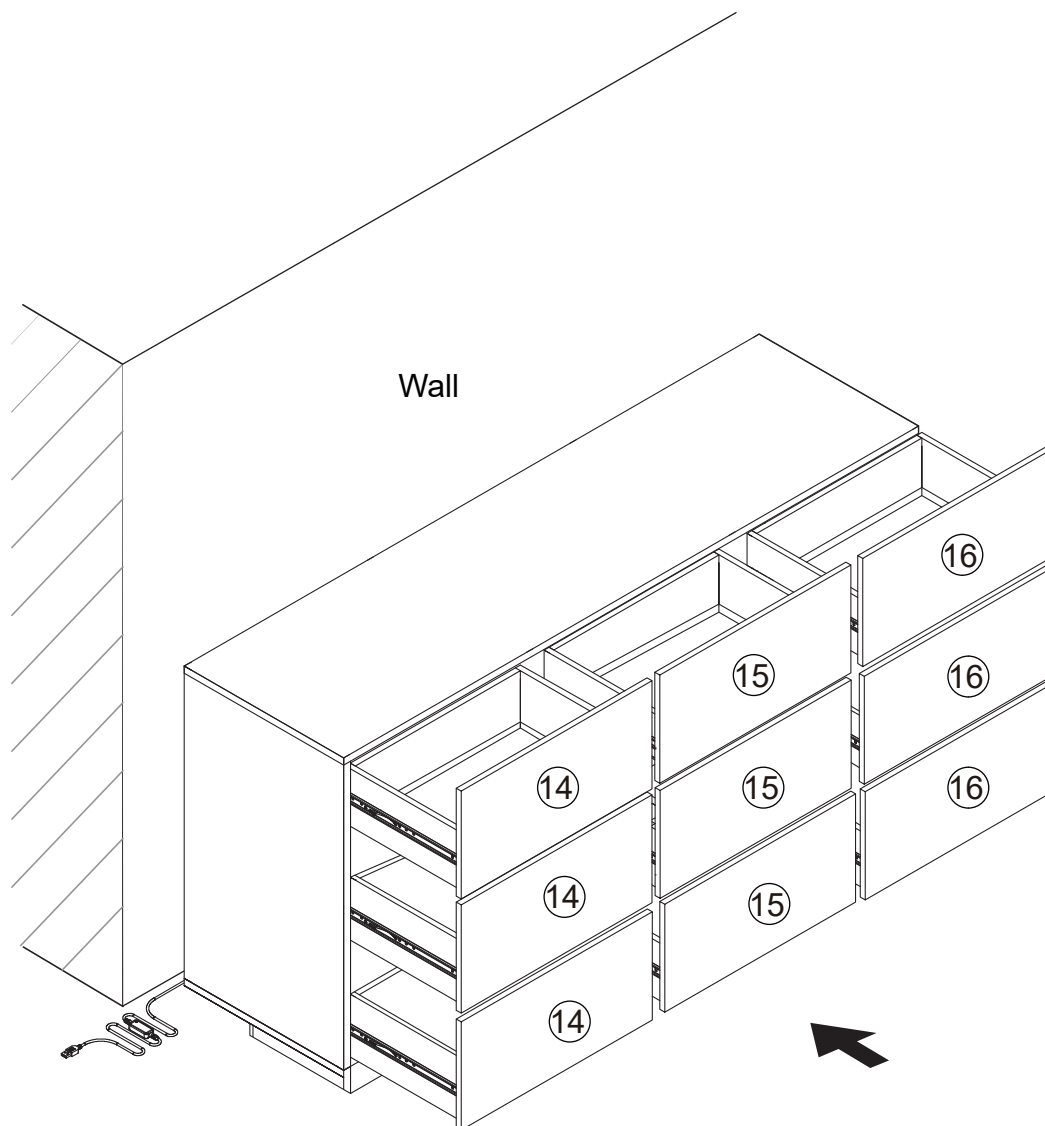
27



Prevent tipping

28

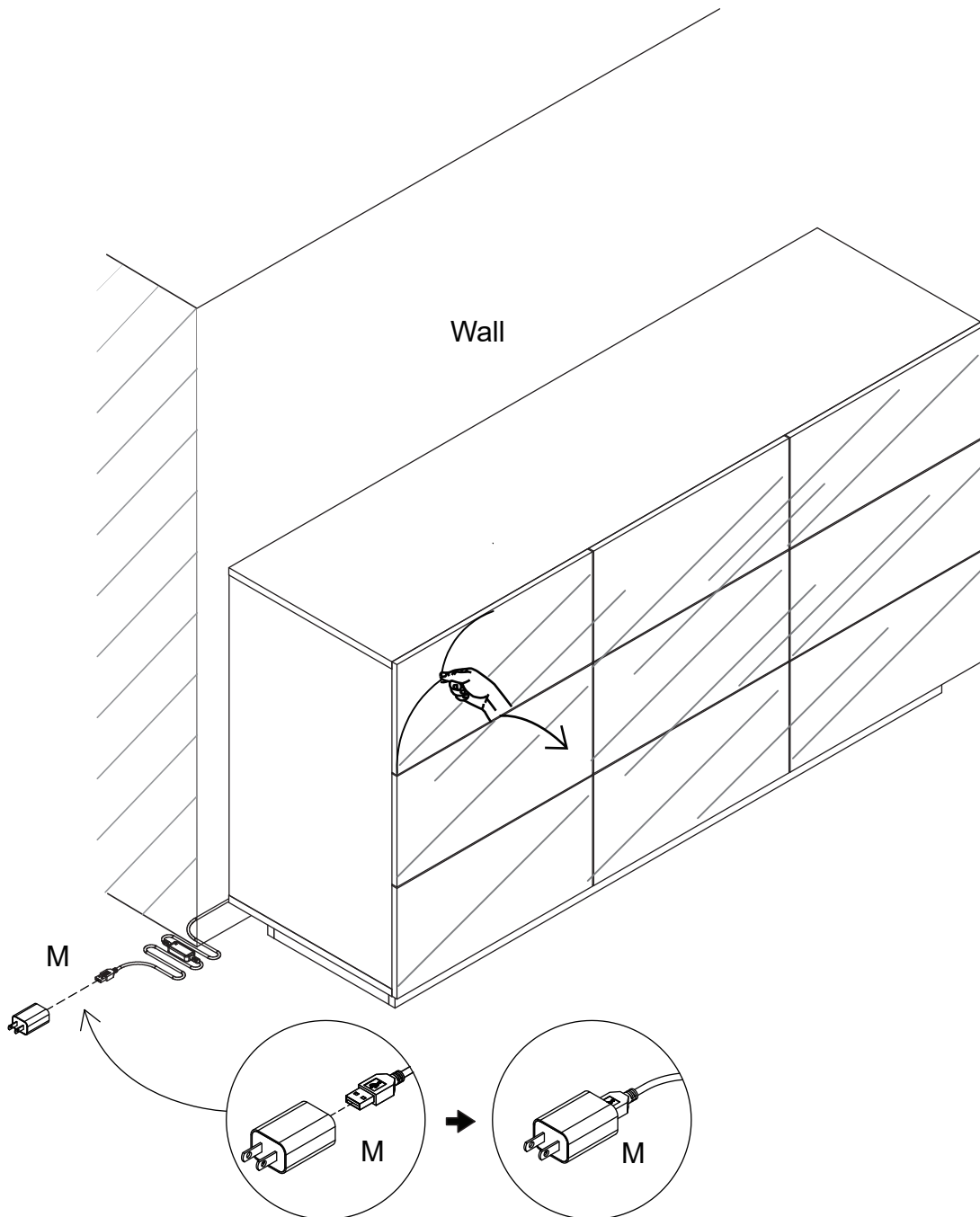
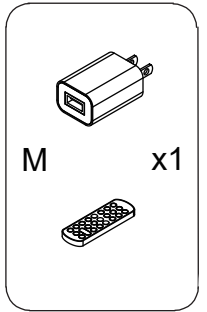
NOTE: The drawer panel needs to be installed strictly in order, as shown in the example diagram. Number 14 is the left drawer, number 15 is the middle drawer, and number 16 is the right drawer.



If the drawer cannot be automatically popped out after installation, adjust the length of G device as shown in the figure.

29

You can remove the protective film from the drawer surface after you have finished assembling it.



Connect the cable to the light strip.
Turn on/off the light strip by mobile APP or remote control.

Thank you very much for purchasing from us.

We have always been trying to provide the best service and reliable products for every customer.

We sincerely hope you will be satisfied with our products and leave us comment.

However, accident may happen sometimes, please don't worry, if your item arrives defectived, we will send replacement at no charge for defect parts or help you to return.

Many thanks and welcome to our shop again!