

Under Desk Mesh Cable Management with Power Strip Holder

DESK-AC36MH-S

Assembly Manual



WARNING



If you do not understand these directions, or if you have any doubts about the safety of the installation, please contact our product support team at 309-278-5303 or help@vivo-us.com for further assistance. Check carefully to make sure there are no missing or defective parts. Failure to report missing parts within 30 days may result in denial of free replacement. Improper installation may cause damage or serious injury. Do not use this product for any purpose that is not explicitly specified in this manual. Do not exceed weight capacity. We cannot be liable for damage or injury caused by improper mounting, incorrect assembly or inappropriate use.



WARNING: CHOKING HAZARD

SMALL PARTS - NOT FOR CHILDREN UNDER 3 YEARS. ADULT SUPERVISION IS REQUIRED.



DO NOT EXCEED WEIGHT CAPACITY

FAILURE TO DO SO MAY RESULT IN SERIOUS INJURY.

Need Help? We're Here For You

US-Based Customer Support from Trained Professionals

Monday-Friday from 7am-7pm CST

Saturday 8am-4pm CST



Email Us

help@vivo-us.com



Chat with Live Agent

www.vivo-us.com



Give Us a Call

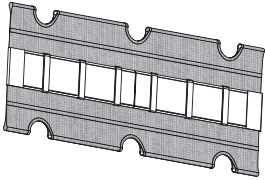
309-278-5303 ext. 1



Assembly Video & Product Info

www.vivo-us.com/products/desk-ac36mh-s

Package Contents



A (x1)
Mesh



B (x2)
Mounting Bracket



C (x4)
Rod Connector



D (x6)
Rod

Included Hardware & Tools



S-A (x4)
ST4.2x19mm
Screw

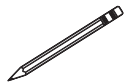


T-A (x1)
Template

Tools Needed:



**Phillips
Screwdriver**



Pencil

Weight Capacity:

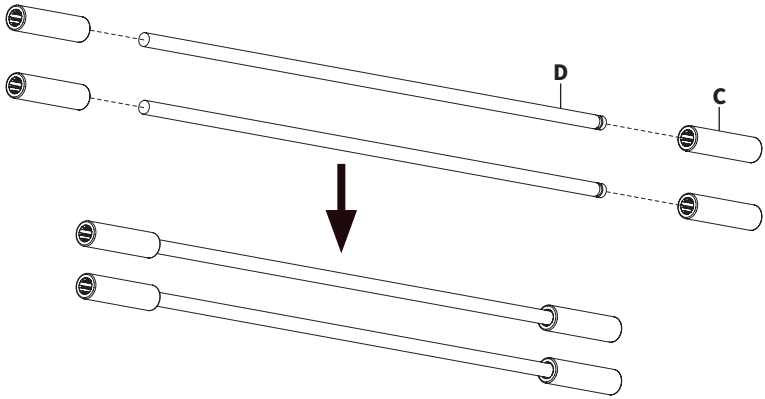


**11lbs
(5kg)**

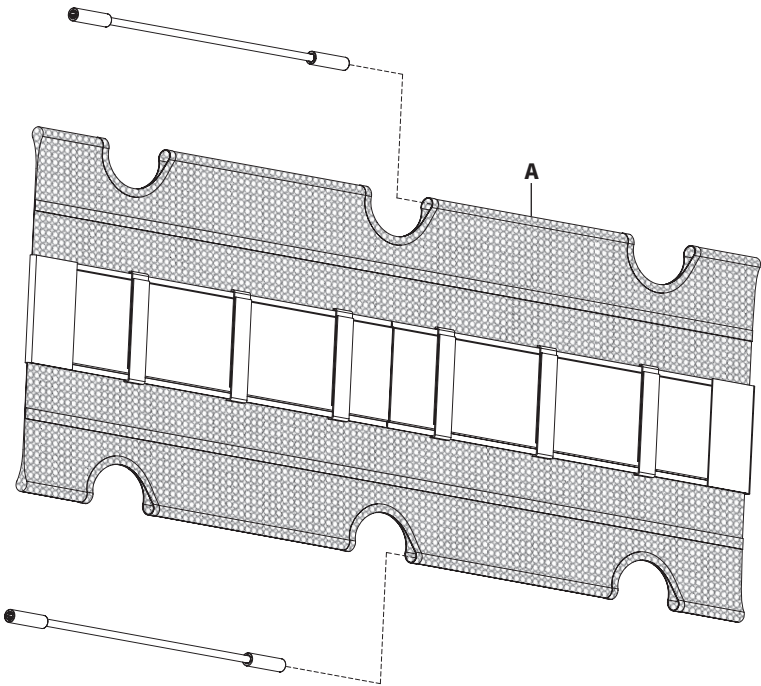
Assembly Steps

STEP 1

Press Rod Connectors (C) to both ends of two Rods (D).

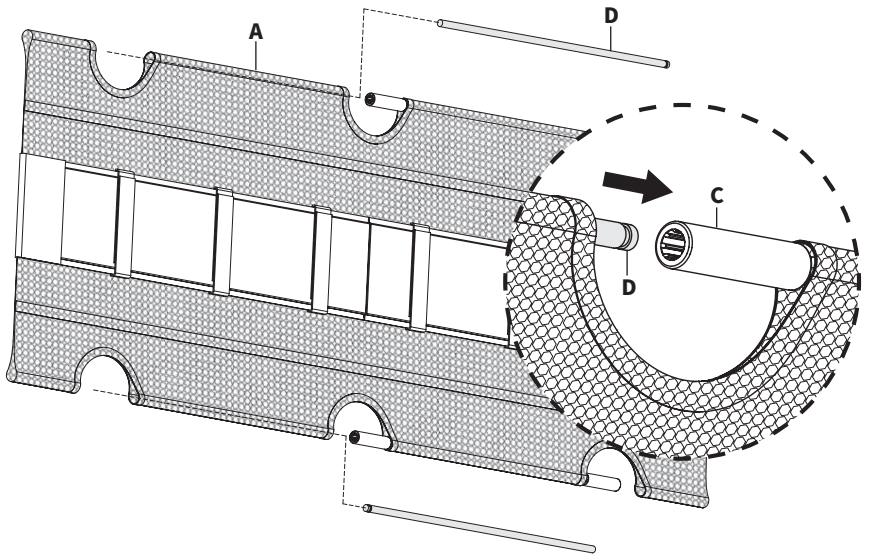


Insert the two Rods into the center holes on Mesh (A) and slide them down to one end.

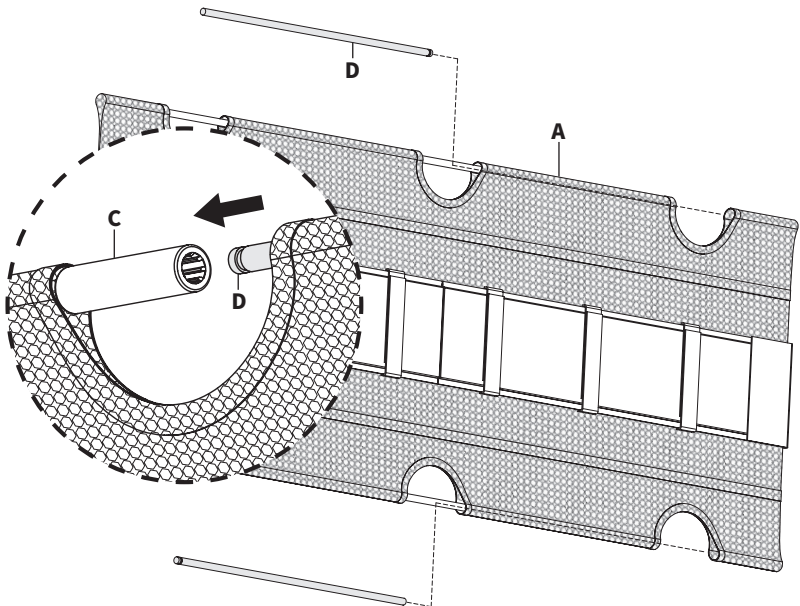


STEP 2

Insert two more Rods (**D**) into the center holes on Mesh (**A**) and slide them to the opposite end. Attach the Rod sets together by pressing the Rods into the Rod Connectors (**C**).

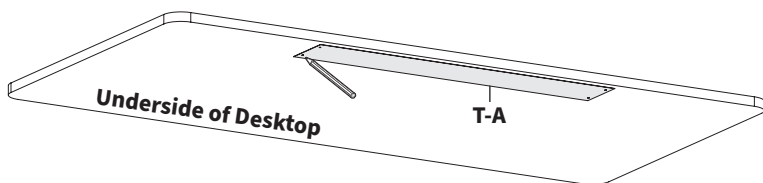


Insert the last two Rods (**D**) into the center holes on Mesh (**A**) and slide them to end with the exposed Rod Connector (**C**). Attach the Rod sets together by pressing the Rod into the Rod Connectors.



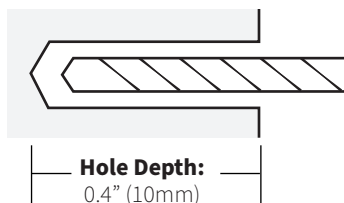
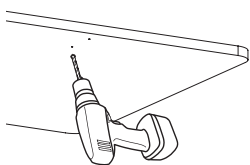
STEP 3

Hold Template (**T-A**) onto the desired position on the underside of desktop. Mark drilling locations using a pencil.



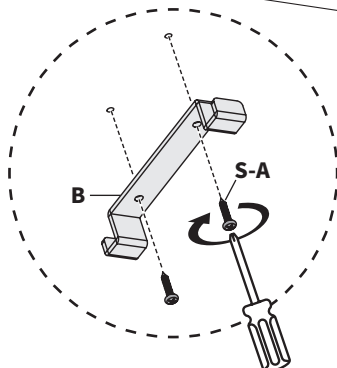
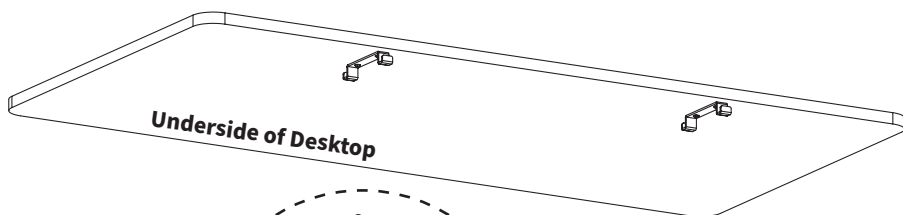
Pre-Drilling Instructions

Drill mounting holes using illustration shown



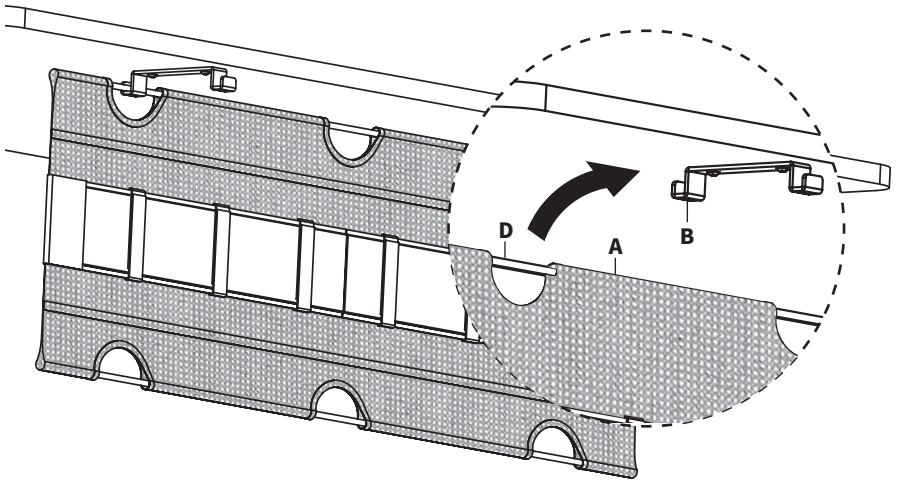
Drill Bit:
1/8" (3mm)

Secure Mounting Brackets (**B**) to the desktop using ST4.2x19mm Screws (**S-A**) and a Phillips screwdriver.



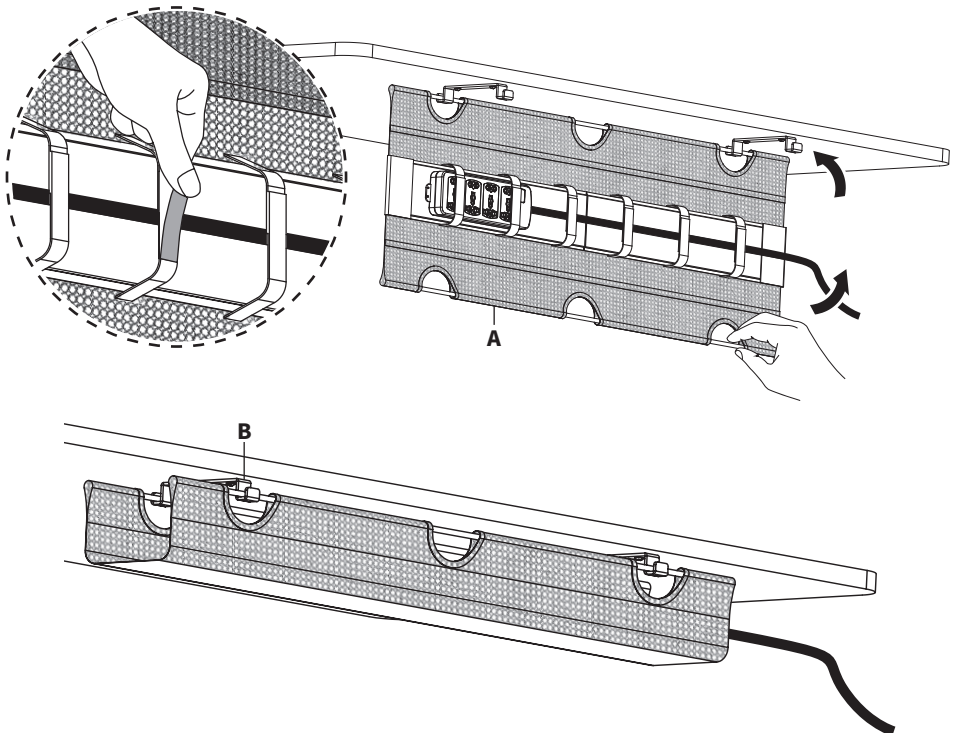
STEP 4

Hang the Mesh (A) with Rods (D) onto one side of Mounting Brackets (B).



STEP 5

Undo the velcro straps on Mesh (A). Place in the power strip and retighten the velcro straps. Hook the other side of Mesh onto the Mounting Brackets (B).





Need Help? **We're Here For You**

Monday-Friday from 7am-7pm CST

Saturday 8am-4pm CST



Email Us
help@vivo-us.com



Chat with Live Agent
www.vivo-us.com



Give Us a Call
309-278-5303 ext. 1



VIVO-us



@vivo_us



@VIVOus



VIVO