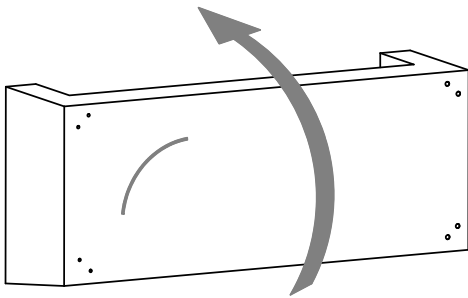


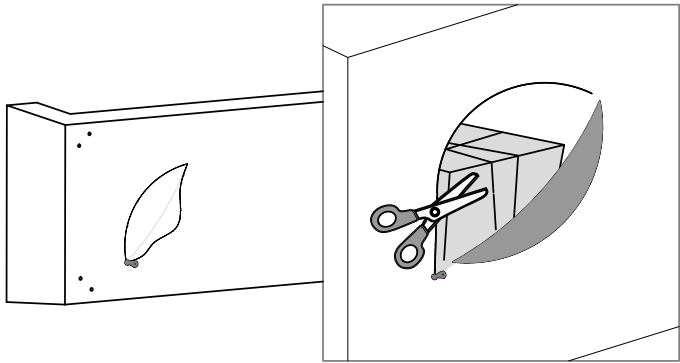
Leg Assembly Instructions

STEP
1

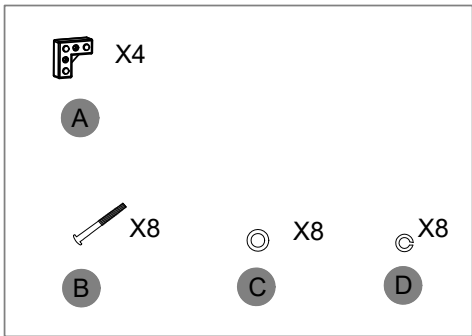


STEP
2

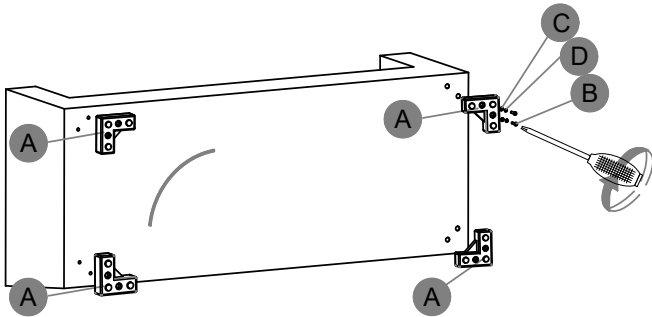
Unzip the storage compartment, cut the strap and remove the package



STEP
3



STEP
4



STEP
5

