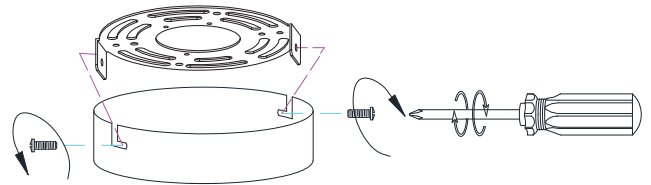
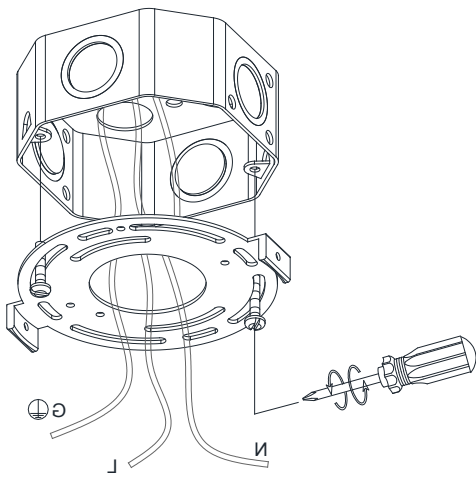


x 3  
x 2

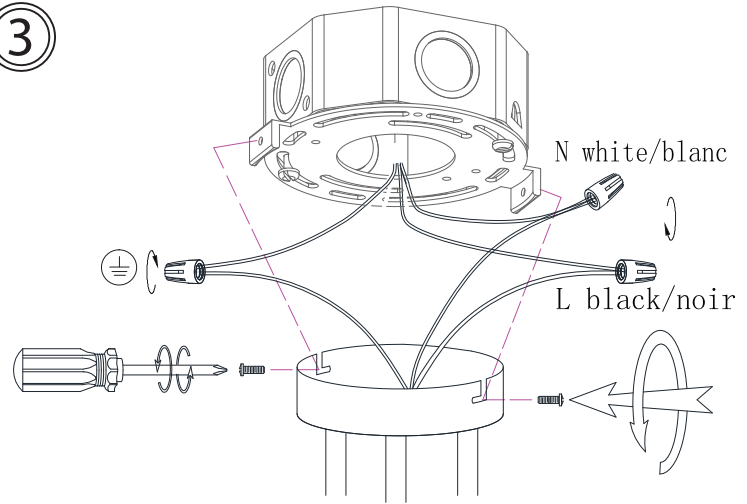
1



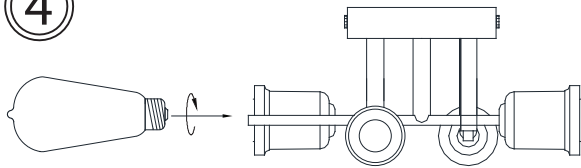
2



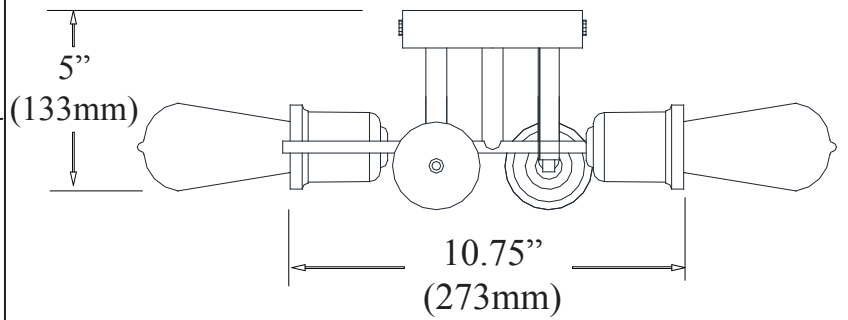
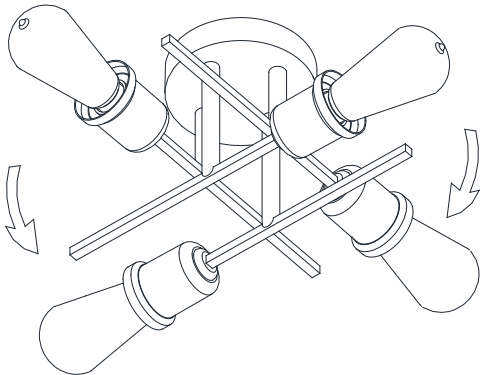
3



4



5



4 x E26 40Watt  
Not included  
Non inclus  
LED compatible

# Warning/Attention

This product must be installed in accordance with the applicable installation code by a person familiar with the construction and operation of the product and the hazards involved.

Ce produit doit être installé selon le code d'installation pertinent par une personne qui connaît bien le produit et son fonctionnement ainsi que les risques inhérents.

DO NOT RETURN PRODUCT TO THE RETAILER.

For Warranty:

Contact the factory directly in writing. Include a copy of your purchase invoice and describe the defect. A factory person will contact you directly to advise what further action will be taken.

For missing hardware or broken glass:

Contact the factory directly in writing. The missing or broken parts will be shipped to you directly the same day after receipt of your email (weekend excluded).