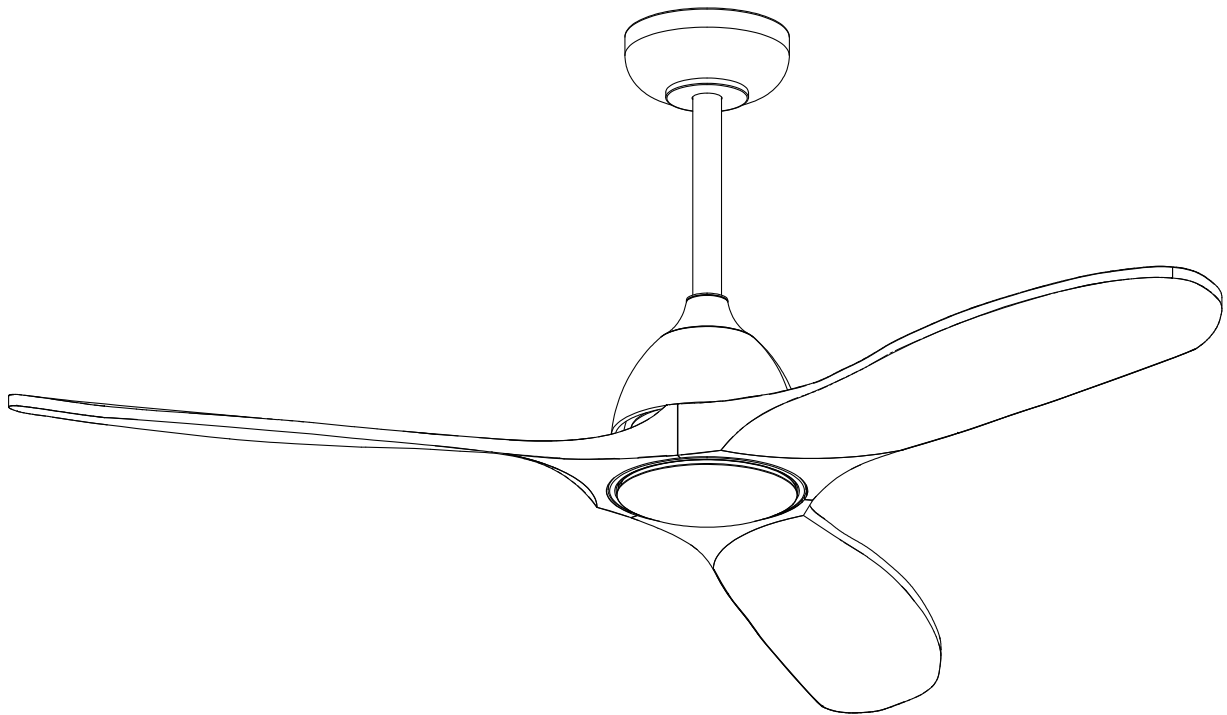


# INSTALLATION MANUAL

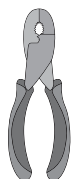
## CEILING FAN WITH LIGHTS



### TOOLS REQUIRED



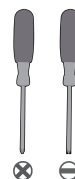
Ladder



Pliers

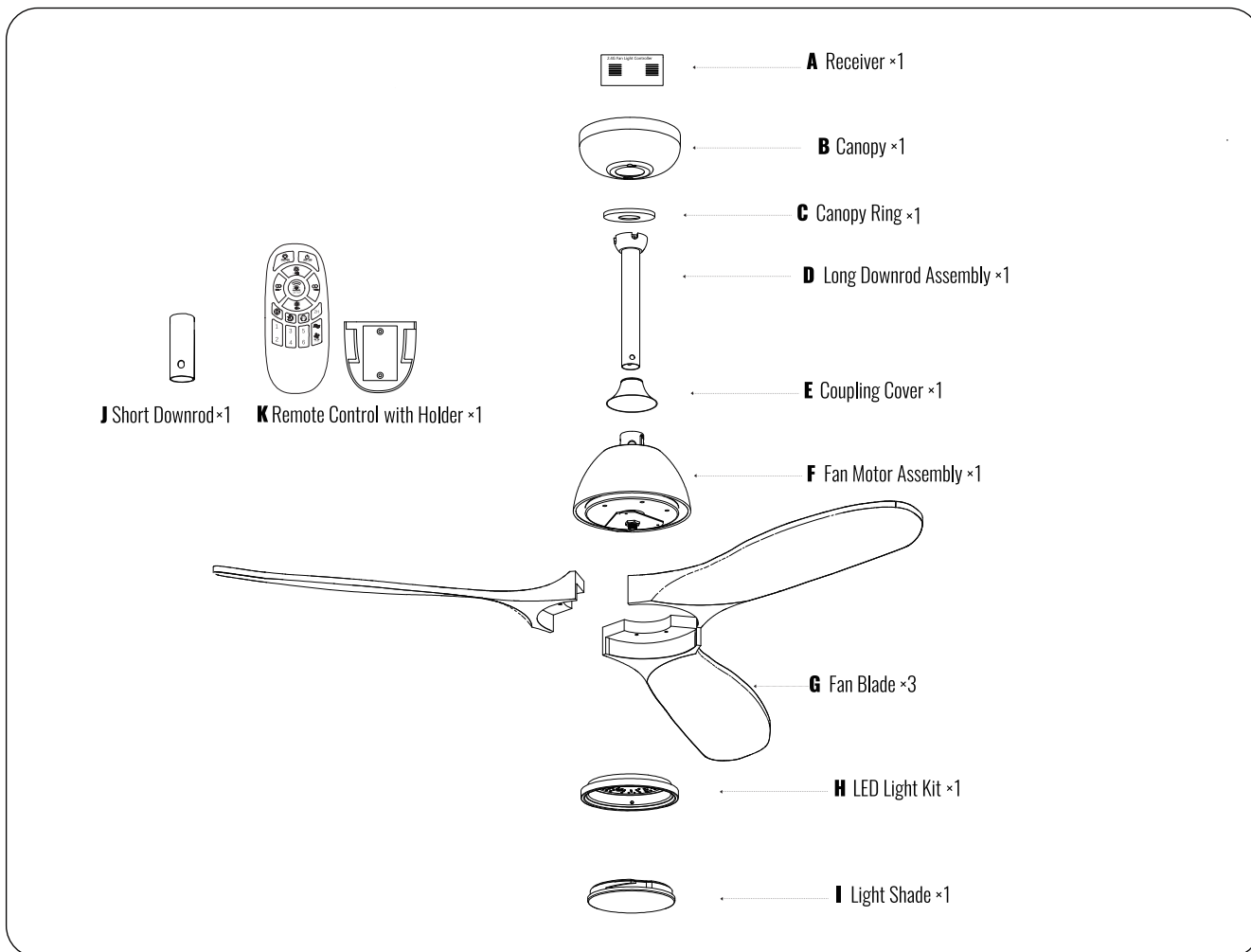


Wire Strippers



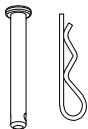


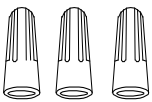



Screwdrivers

# PACKING LIST



# INSTALLATION KIT

<p><b>AA</b> 1×</p>  <p>Mounting Bracket</p>	<p><b>BB</b> 2×</p>  <p>Outlet Box Screw With Washer</p>	<p><b>CC</b> 1×</p>  <p>Clevis Pin &amp; "R" Pin</p>	<p><b>DD</b> 6×</p>  <p>Fan Blade Screw</p>
<p><b>EE</b> 3×</p>  <p>Set Screw</p>	<p><b>FF</b> 3×</p>  <p>Wire Nut</p>	<p><b>GG</b> 1×</p>  <p>Gloves</p>	

## Note:

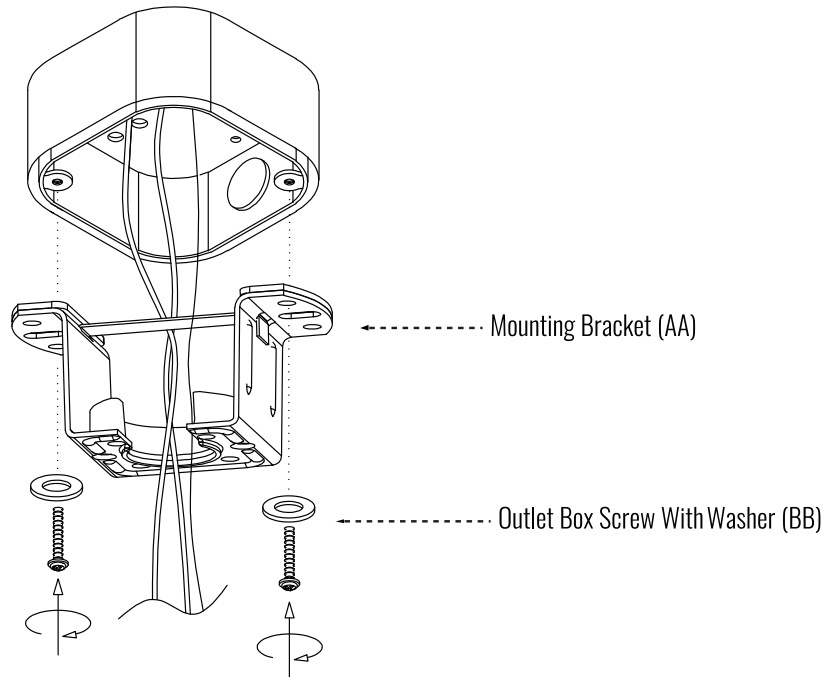
1. Some extra hardware may be included. The quantity listed above is the number required for installation.
2. Parts "CC" have already been installed with Long Downrod Assembly, parts "EE" have been installed with Fan Motor Assembly. They need to be disassembled before installation.

# INSTALLATION

## 1. Remove the Mounting Bracket

**Step 1.** Take off the screws from outlet box.

**Step 2.** Secure the mounting bracket (EE) onto the outlet box with screws taken off or Outlet Box Screw With Washer (FF) provided.



## 2. Assembling the Fan

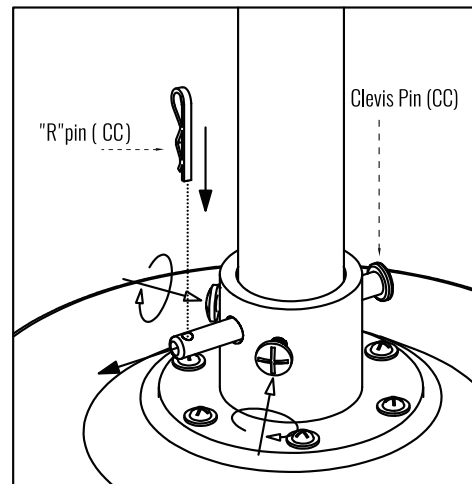
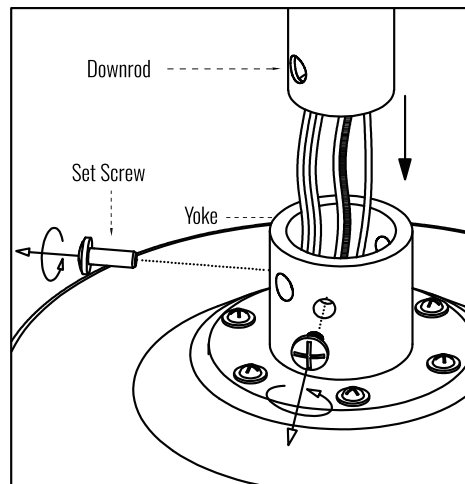
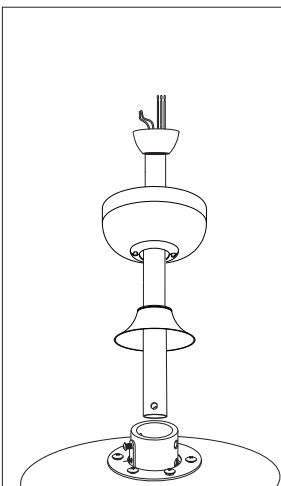
**Step 1.** Assemble the Canopy and coupling cover, route wires from the fan through the downrod.

**Step 2.** Loosen the set screw from the yoke but do not take off, align the holes at the bottom of the downrod with those in the yoke.

**Step 3.** Carefully insert the clevis pin (CC) through the holes in the yoke and downrod (Be careful not to jam the clevis pin against the wires inside the downrod).

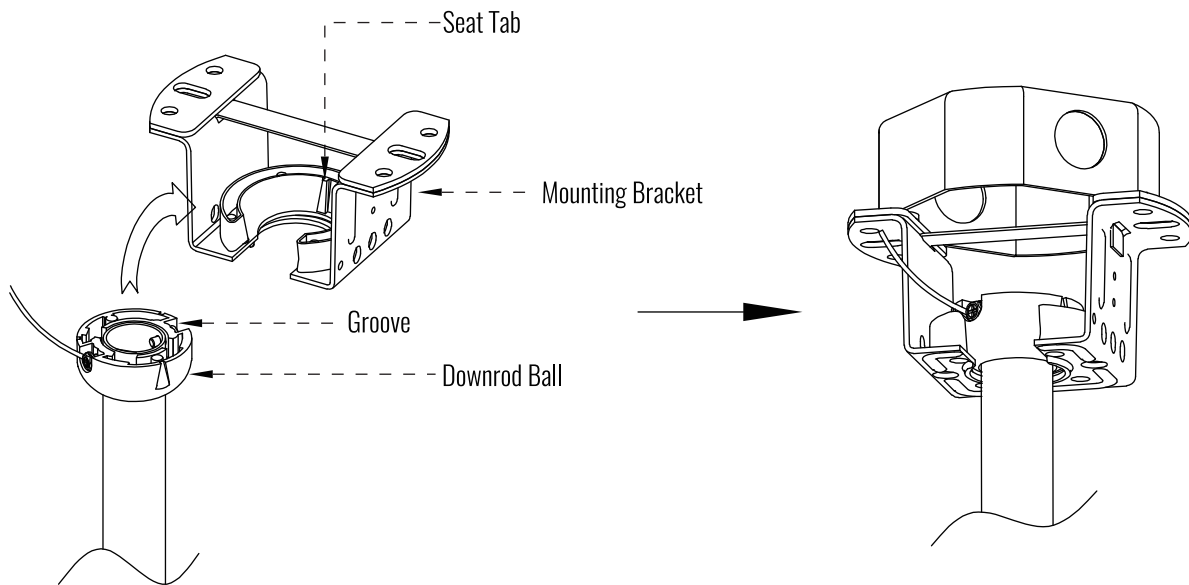
**Step 4.** Insert the "R" pin (CC) into the end of the clevis pin.

**Step 5.** Tighten the set screw on the yoke to secure the downrod.



### 3. Hanging the Fan

**Step 1.** Lift the downrod into the mounting bracket. Rotate the downrod until the seat tab in the mounting bracket is seated in the groove in the downrod ball.



### 4. Wiring

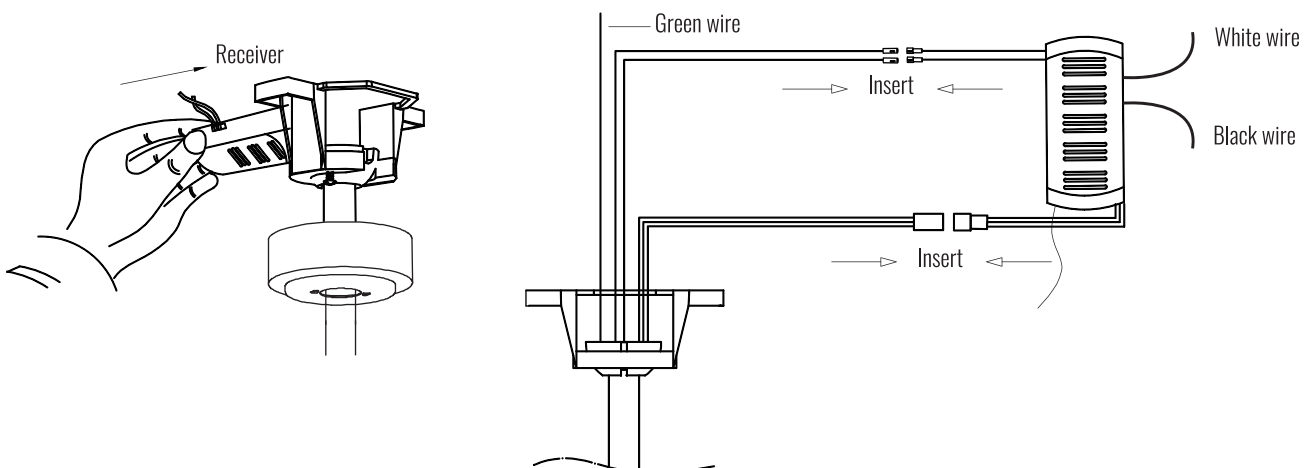
**Step 1.** Insert the receiver to the mounting bracket

**Step 2.** Connect the wires from the fixture to the house supply wires with wire nuts (AA), ground wire (green, green/yellow, or bare copper) to ground wire, neutral wire (white or blue) to neutral wire, and hot wire (black or brown) to the hot wire.

Step 3. Wrap the connection with electrical tape.

**Note:**

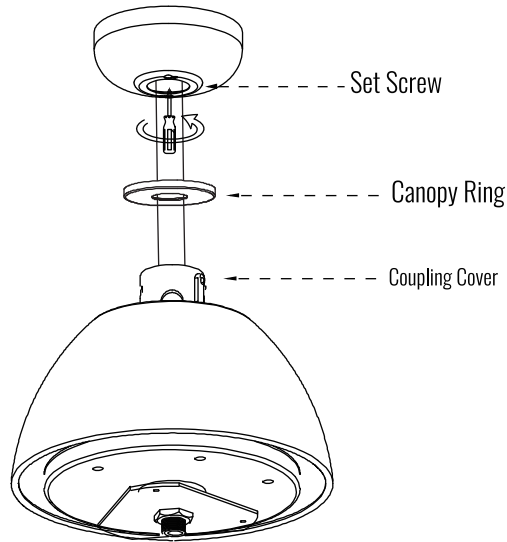
- ① This fan only needs one set of input wires (black, white, and ground wire). Both of the fan and lights will be controlled by the remote control.,
- ② This fan can only be connected to an on/off switch if you have one, not a dimmer switch.



## 5. Attaching the Canopy

**Step 1.** Slide the canopy up to the ceiling and attach it to the mounting bracket with the set screws provided.

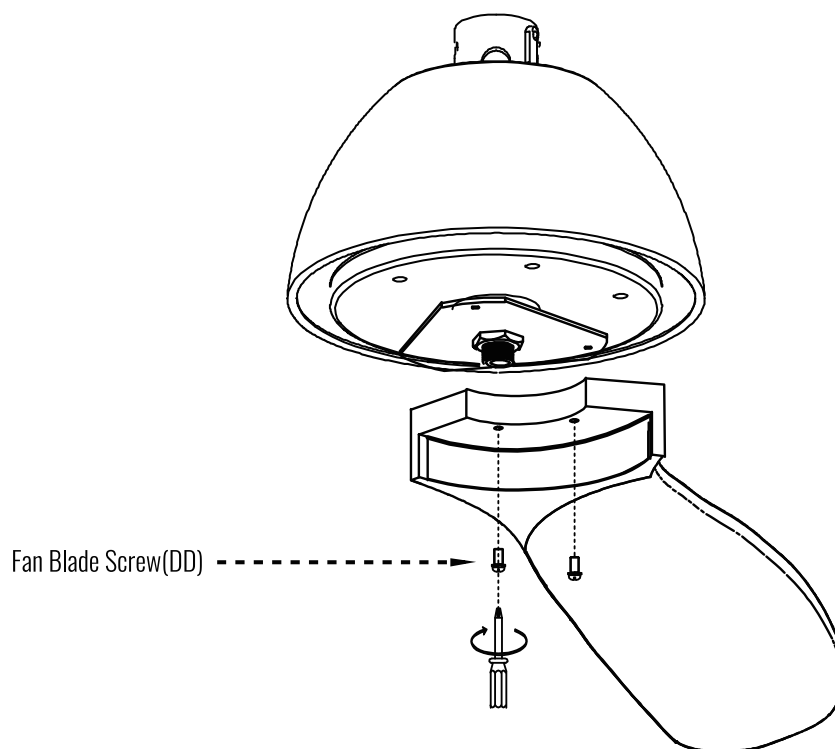
**Step 2.** Slide the coupling cover downward to cover the yoke and fix the canopy ring to the canopy.



## 6. Installing the Fan Blade and Blade Arm

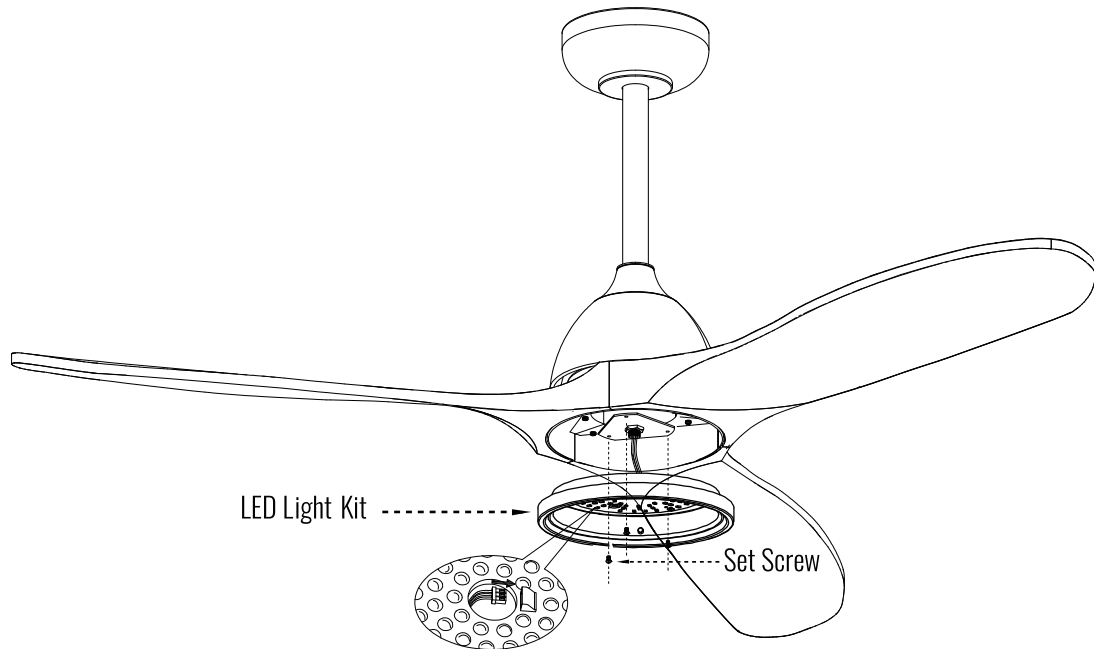
**Step 1.** Take off Fan Blade Screws (DD) from the Fan Motor Assembly.

**Step 2.** Attach the Fan Blade onto the motor with the Fan Blade Screws.



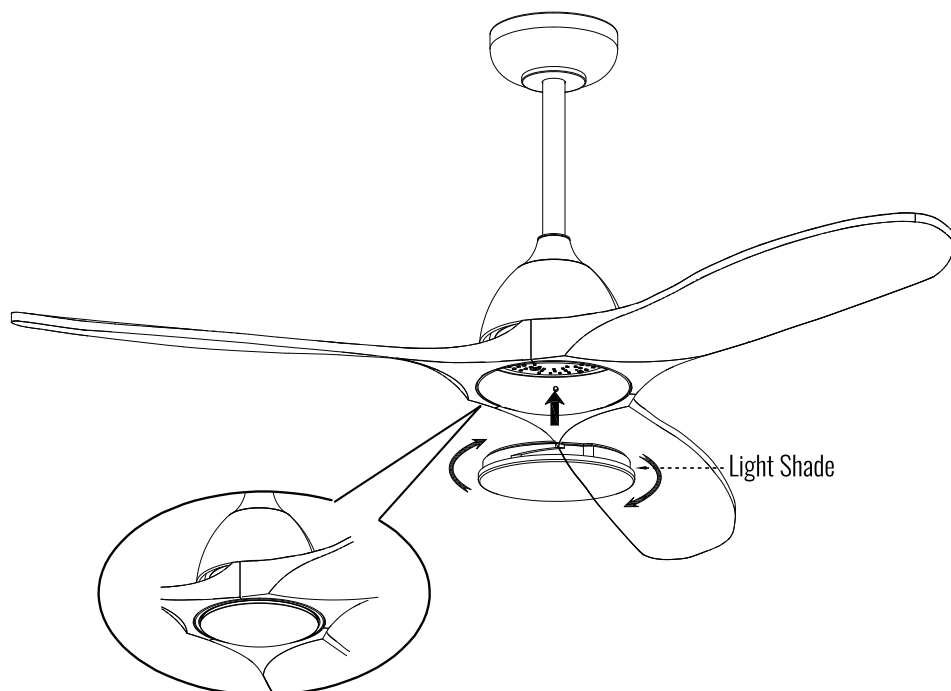
## 7. Install the LED Light Kit

- Step 1.** Take off Set Screws (GG) from the Fan Motor Assembly.
- Step 2.** Connect the Light Wires from the Light Kit to the fixture wires.
- Step 3.** Attach LED Light Kit onto the Fan Motor Assembly with Set Screw (GG) provided.



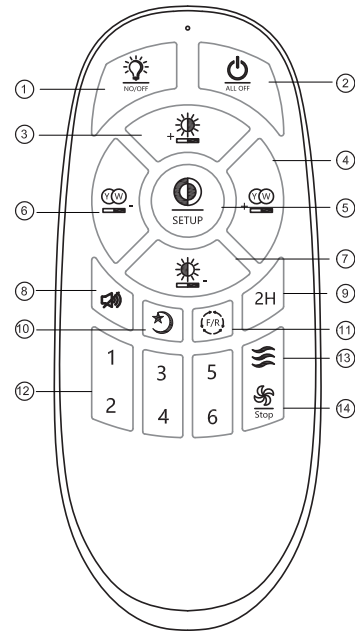
## 8. Install the Light Shade

- Step 1. Rotate the light Shade (I) clockwise to secure it to the Fan Motor Assembly (F).



## REMOTE CONTROL INSTRUCTIONS

- ① :Turn on/off the light
- ② :Turn off fan and light.
- ③ ⑦ :Adjust the brightness of the light.
- ④ ⑥ :Adjust the light color temperature.
- ⑤ :Quick switch of the light color: warm white->cool white->daylight white.
- ⑧ :Turn on/off the mute mode.
- ⑨ :2H for timing the fan.
- ⑩ :Night mode, lights will be dimmed when press this button
- ⑪ :Fan moves forwards or reversely
- ⑫ :Turn on the fan on speed 1/2/3/4/5/6.
- ⑬ :Natural wind of the fan, fan speed will change automatically when use this function.
- ⑭ :Turn off the fan.

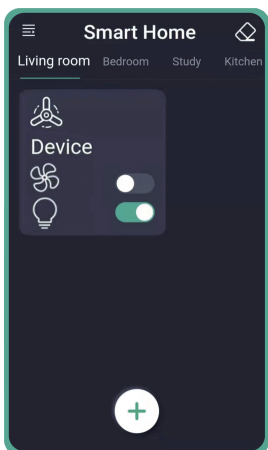
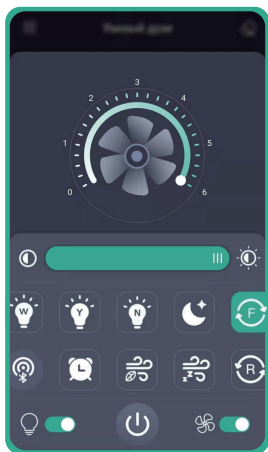


### REMOTE SIGNAL PAIRING:

If the remote control loses signal of the fan, press and hold the button ⑤ at the very beginning after it's turned on from wall switch. After the light flashes or fan beeps, it's done.

## APP CONTROL INSTRUCTIONS

Make sure your phone is disconnected to the internet and bluetooth enabled.



	Pair button. Click it within 5 seconds after the fan is powered on from wall switch. After the fan flashes or beeps it has been successfully paired with the phone, it can be controlled through it.
	Slide to change the fan speed.
	Slide to change the brightness of the light.
	Quick switch for "White" light color.
	Quick switch for "Yellow" light color.
	Quick switch for "Natural" light color.
	Night mode: Dim the lights.
	Fan moves forward.
	Fan moves reversely.
	Change the direction of the wind. (Not supported)
	Timing the fan.
	Natural wind: The fan speed will change automatically when you use this function.
	Sleeping wind. (Not supported)
	Turn on/off the light.
	Turn on/off the fan.
	Unpairing: Click the unpair button within 5 seconds after turning on the fan. Once the fan flashes or beeps, it has been successfully unpaired from your phone.