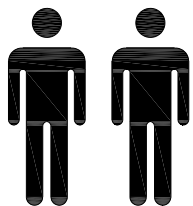


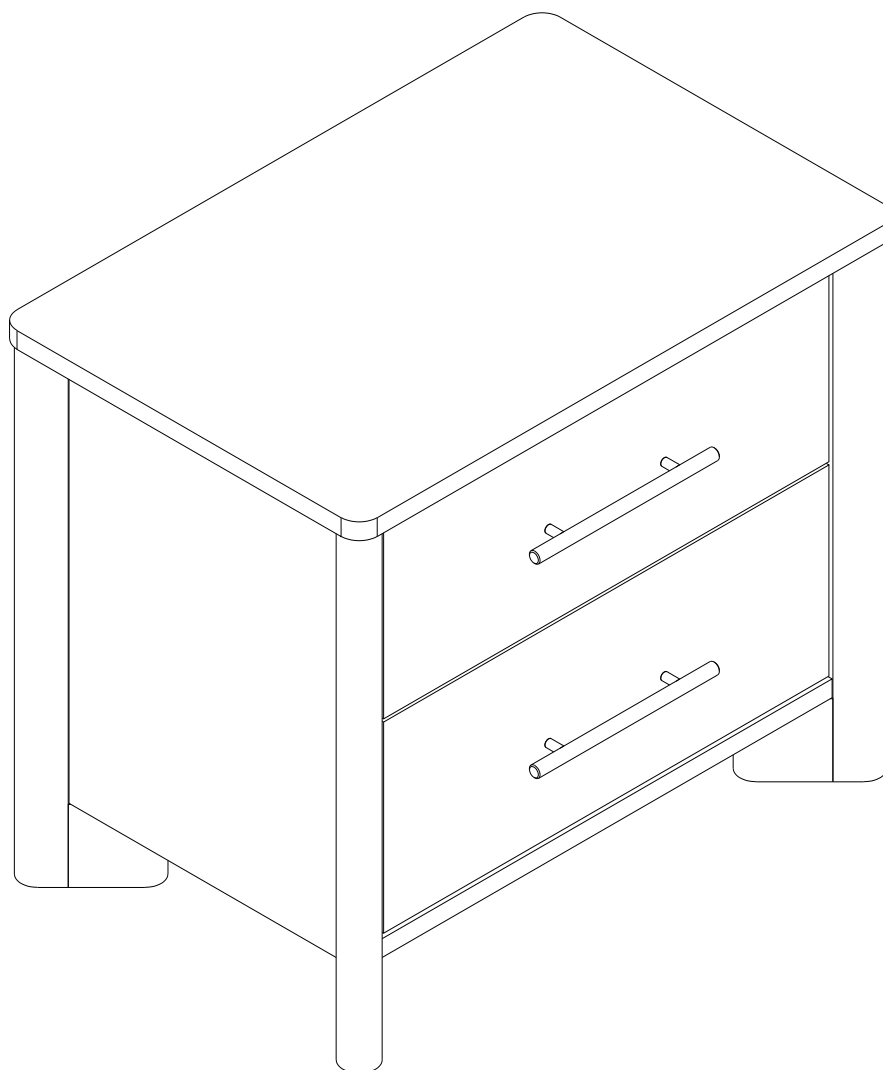
ASSEMBLY INSTRUCTION

If there are any questions during the assembly process.

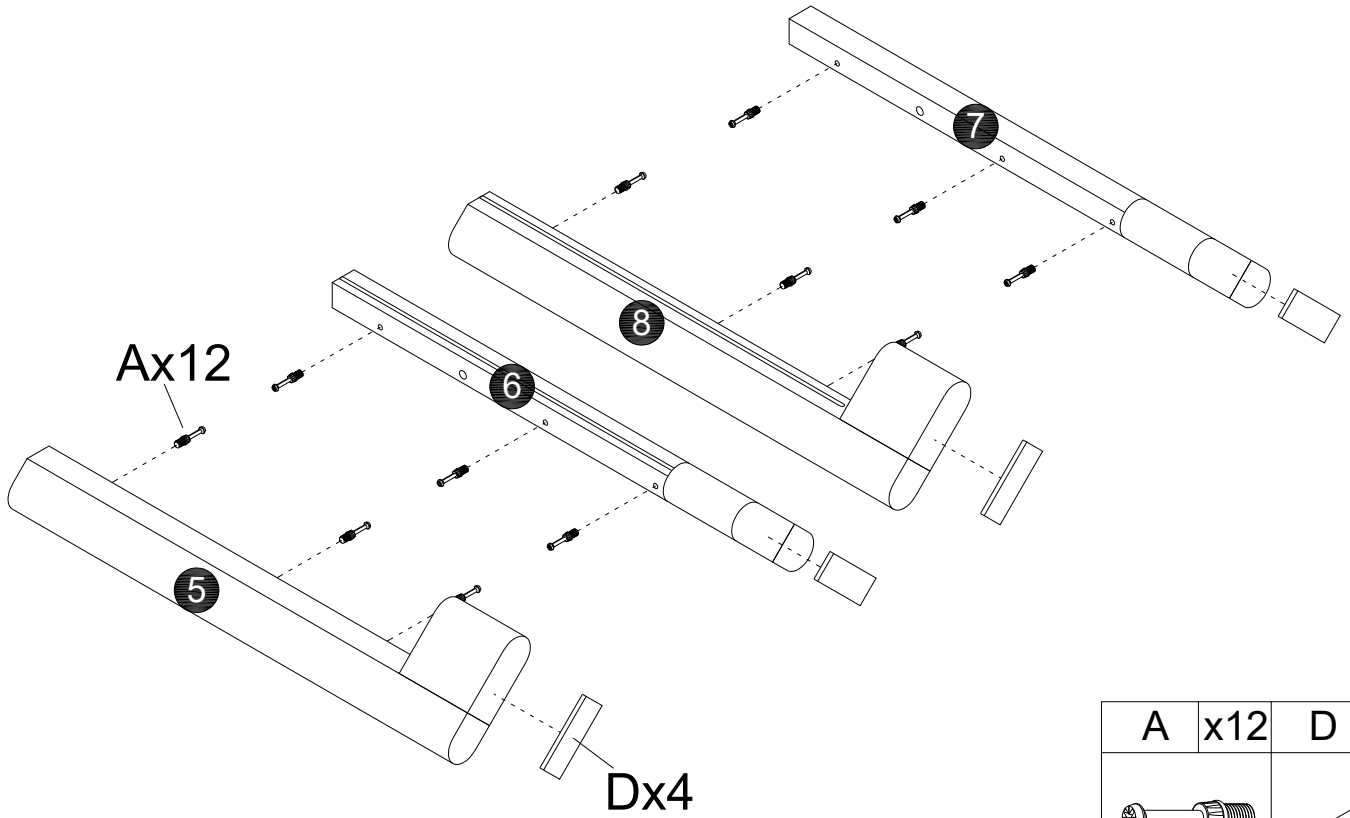
A video and description about the step you were stucked will help us to understand the problem quickly.

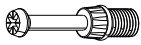
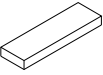


2 person required to
assemble this product

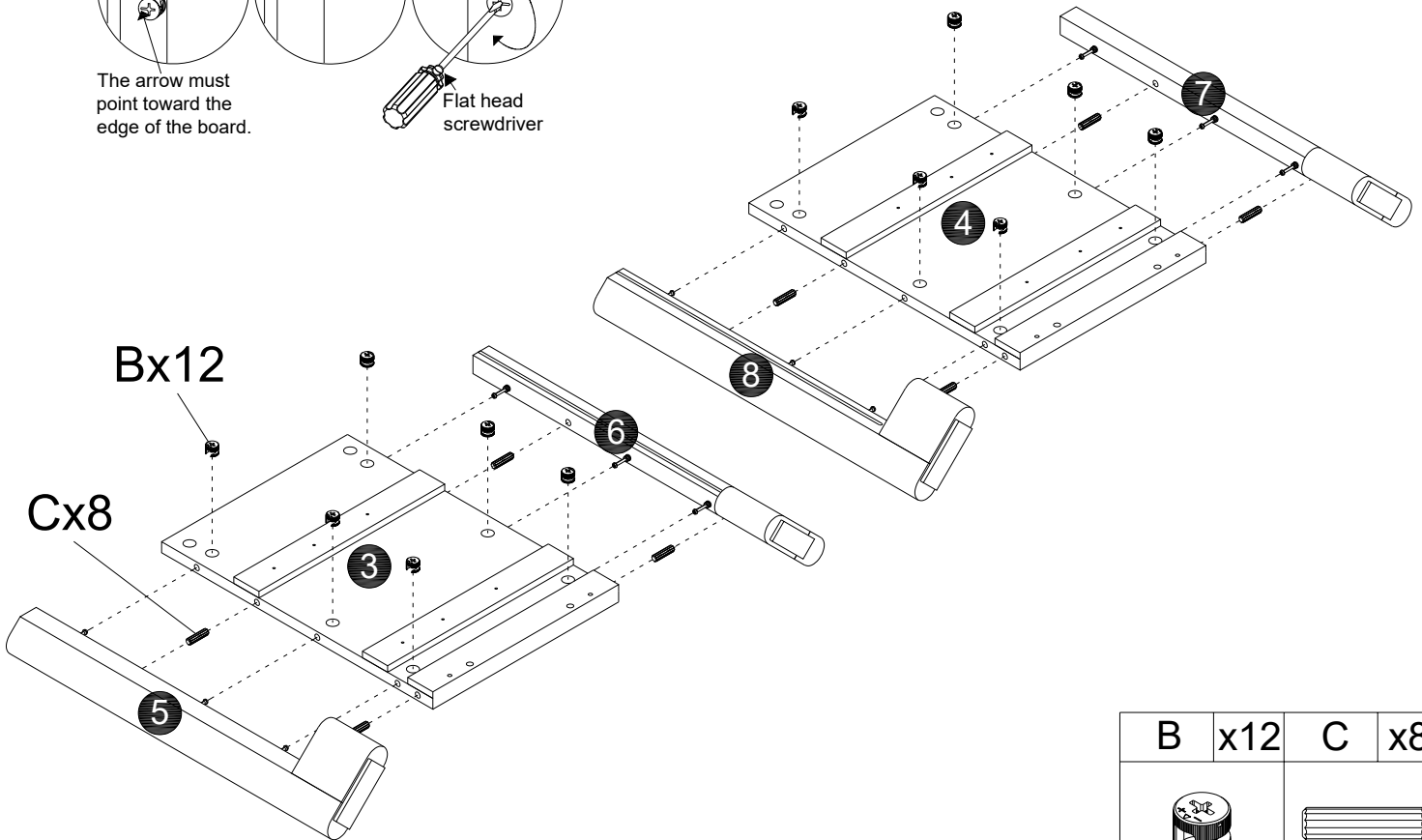
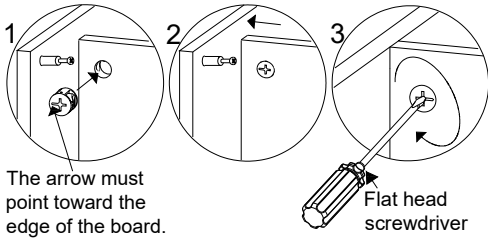



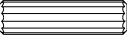
1



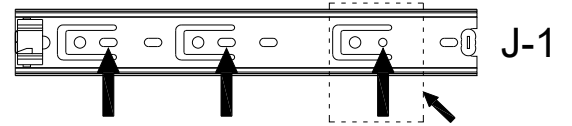
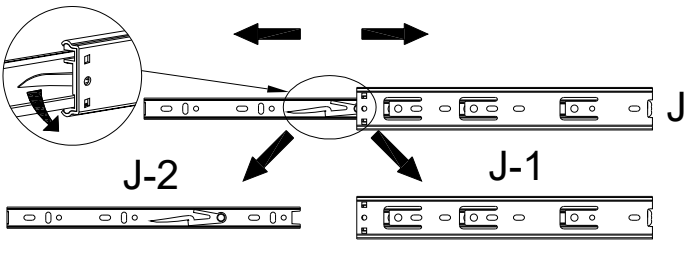
A	x12	D	x4
			
M6x35mm		85x25x5	

2

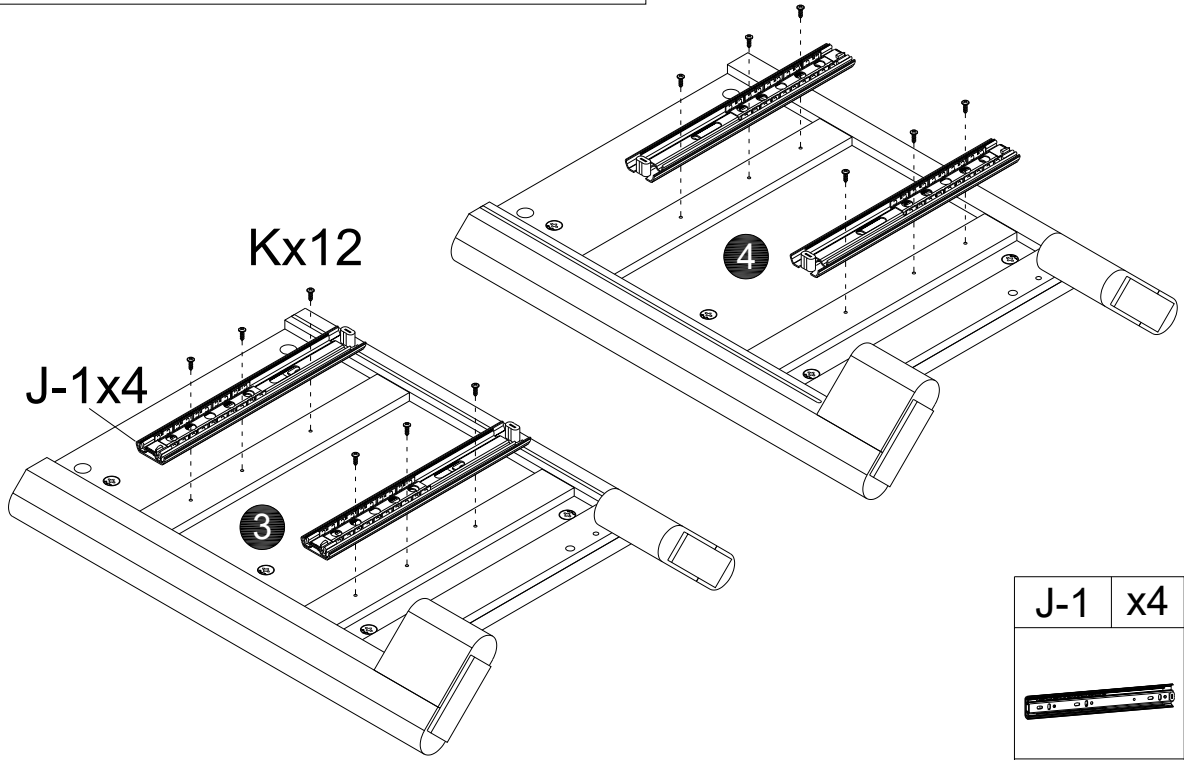



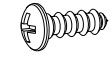
B	x12	C	x8
			
Ø15mm		Ø8x30mm	

3

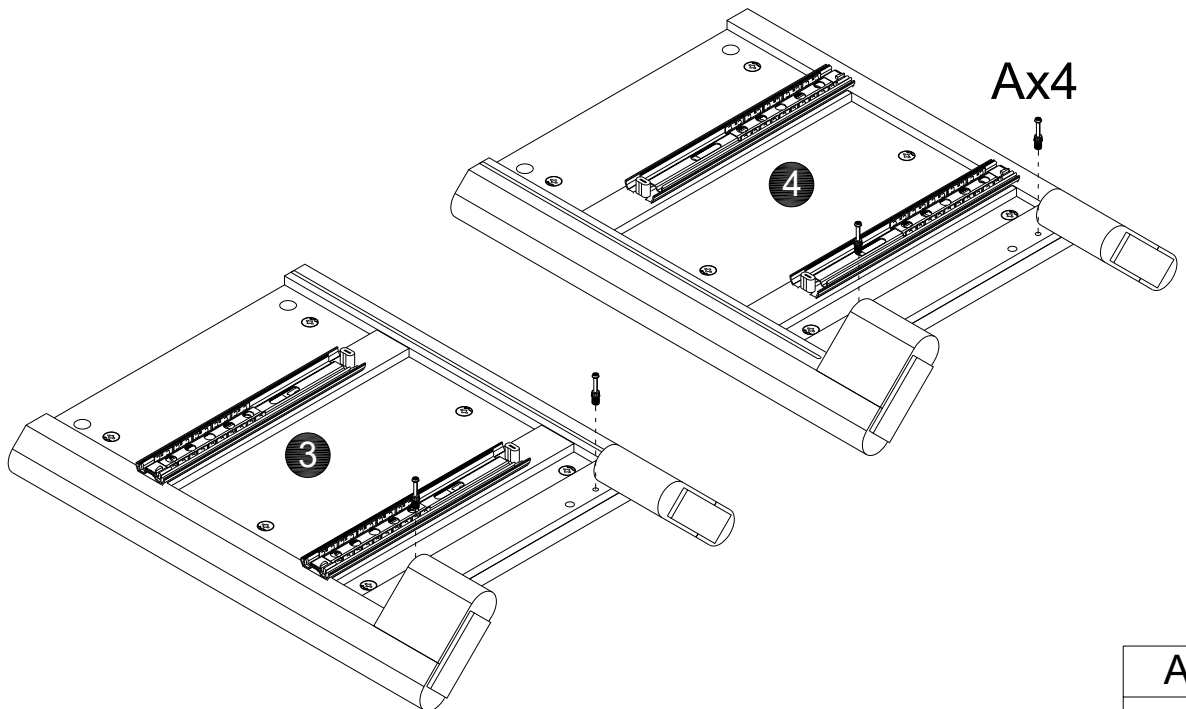


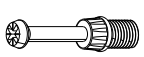
fix the circular holes with screws first, and then fix the elliptical holes one by one.



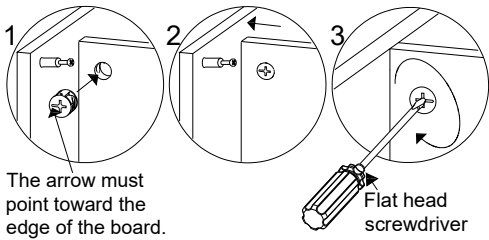
J-1	x4	K	x12
			
10"		M3.5x12mm	

4



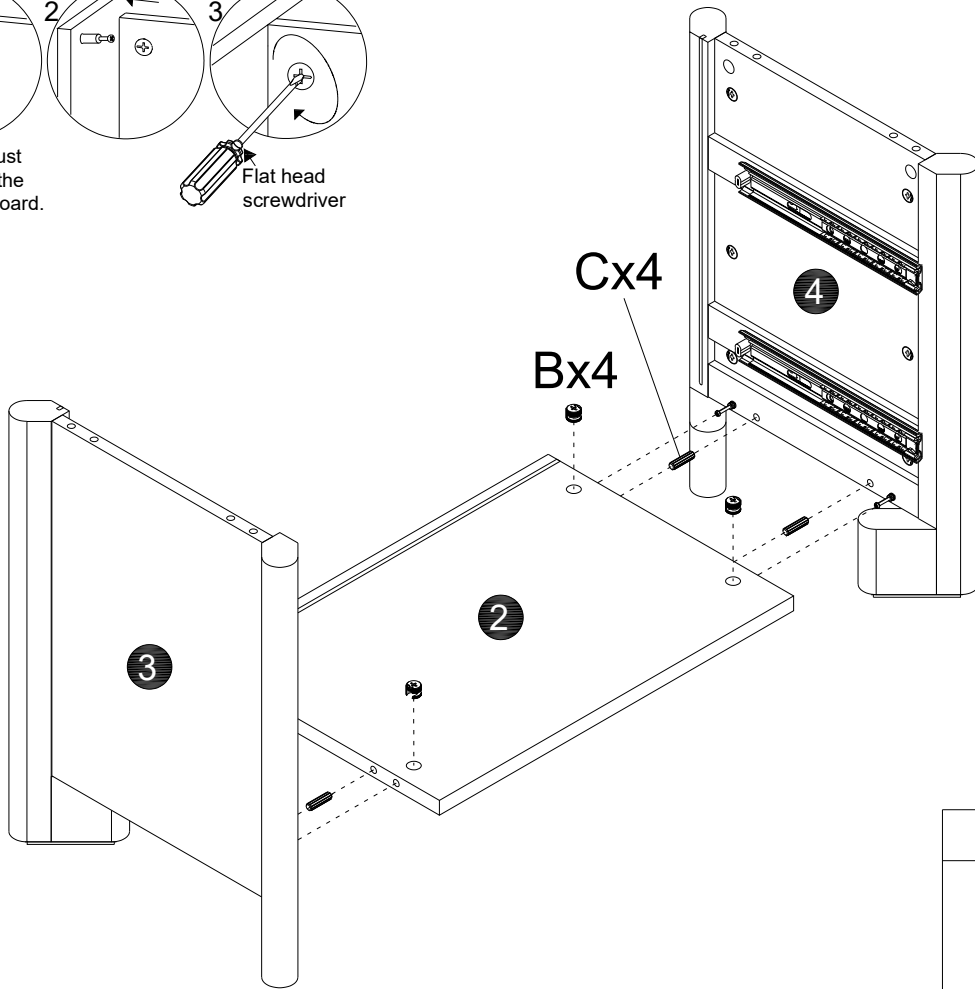
A	x4
	
M6x35mm	



5



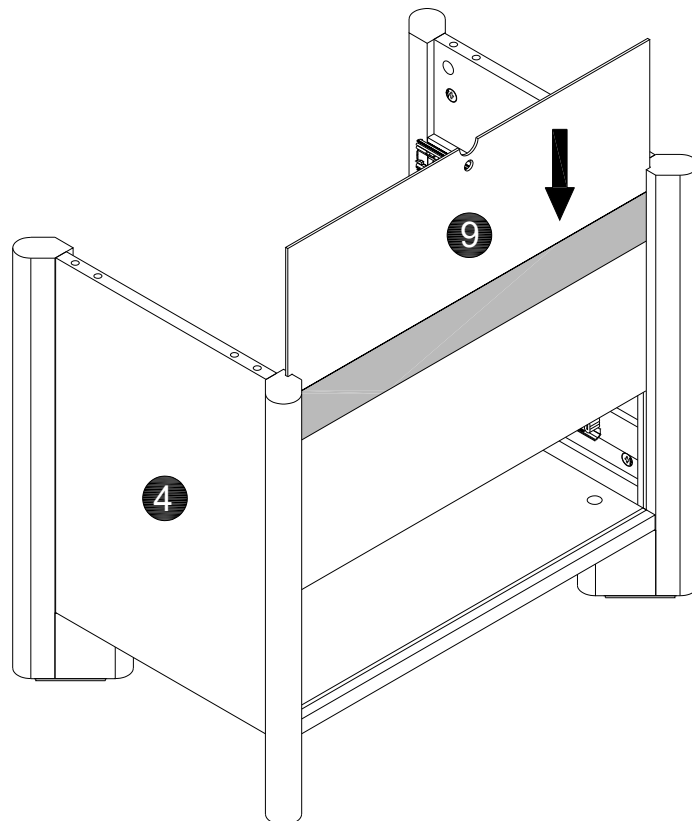
The arrow must point toward the edge of the board.

Flat head screwdriver

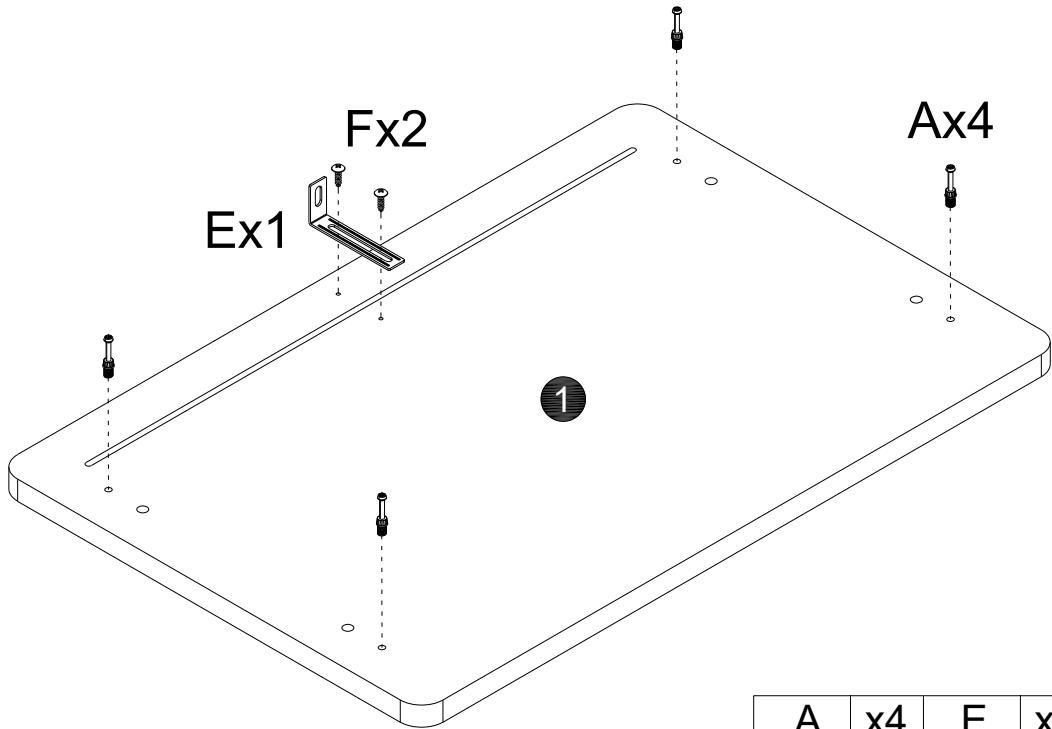


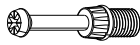
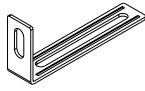
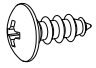
B	x4	C	x4
			
Ø15mm		Ø8x30mm	

6

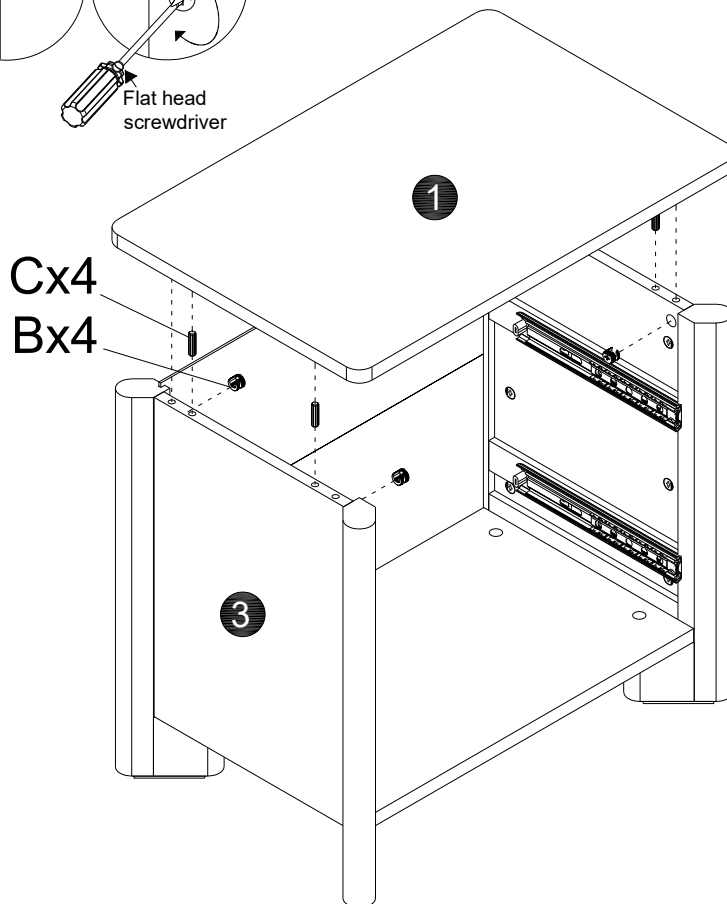
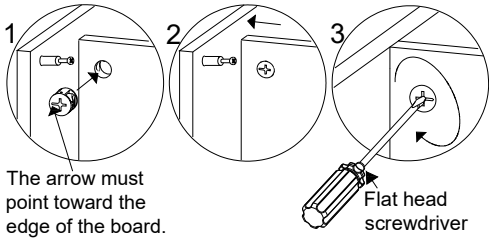



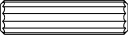
7



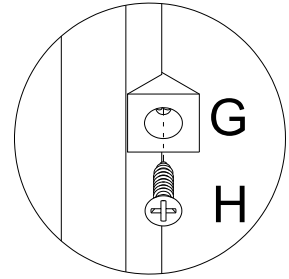
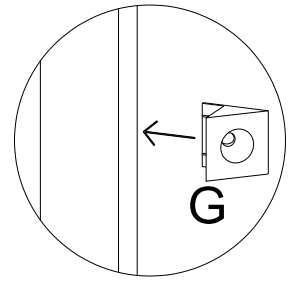
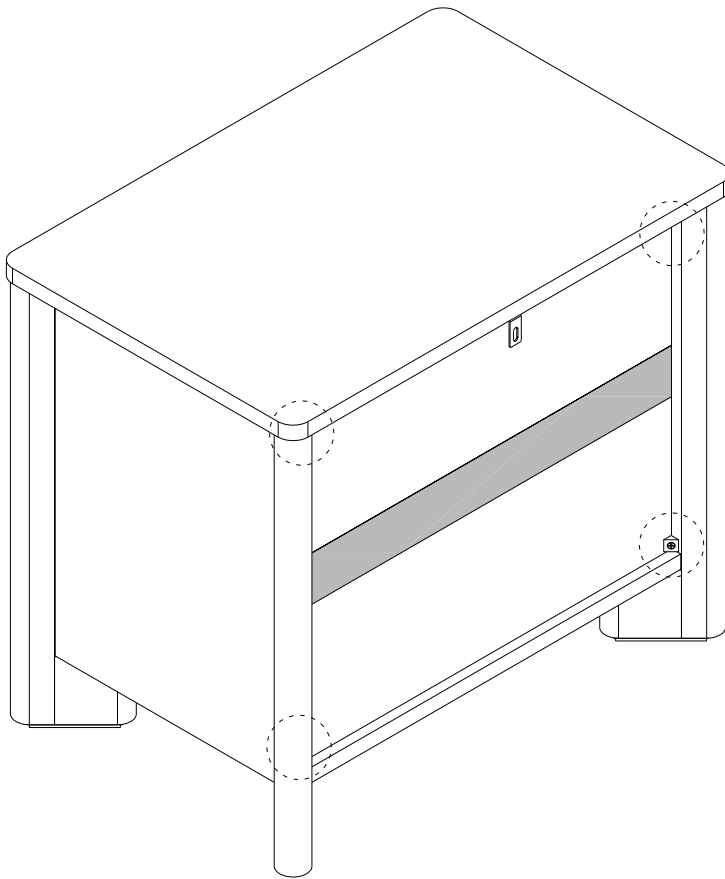
A	x4	E	x1	F	x2
					
M6x35mm				M3.5x14mm	



8



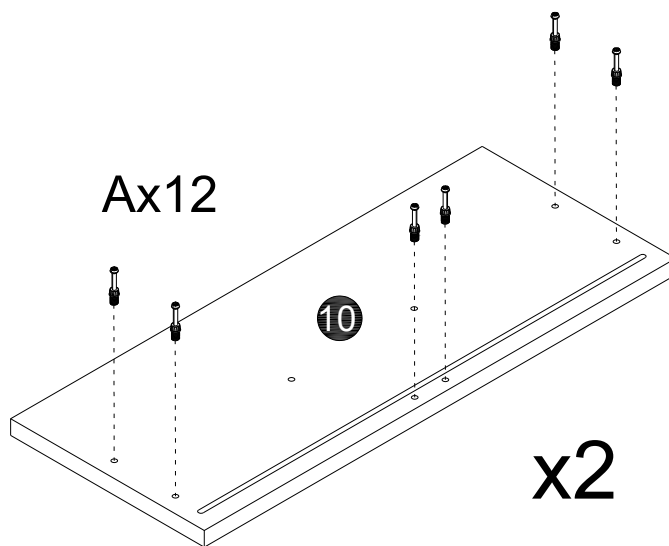
B	x4	C	x4
			
Ø15mm		Ø8x30mm	

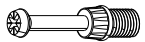
9



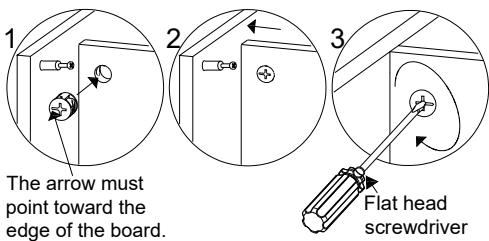
G	x4	H	x4
			
M3.5x16mm			

10



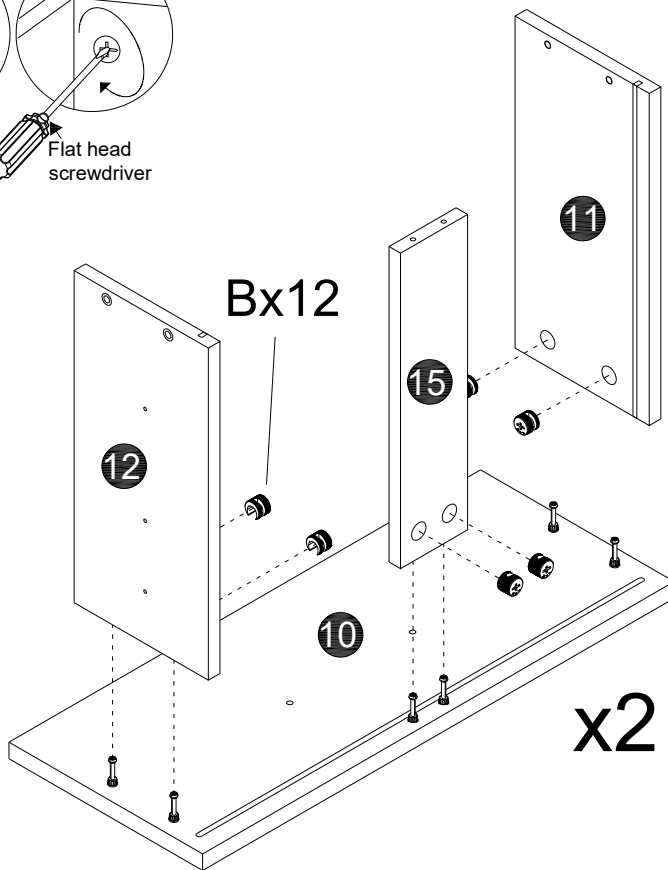
A	x12
	
M6x35mm	

11



The arrow must point toward the edge of the board.

Flat head screwdriver

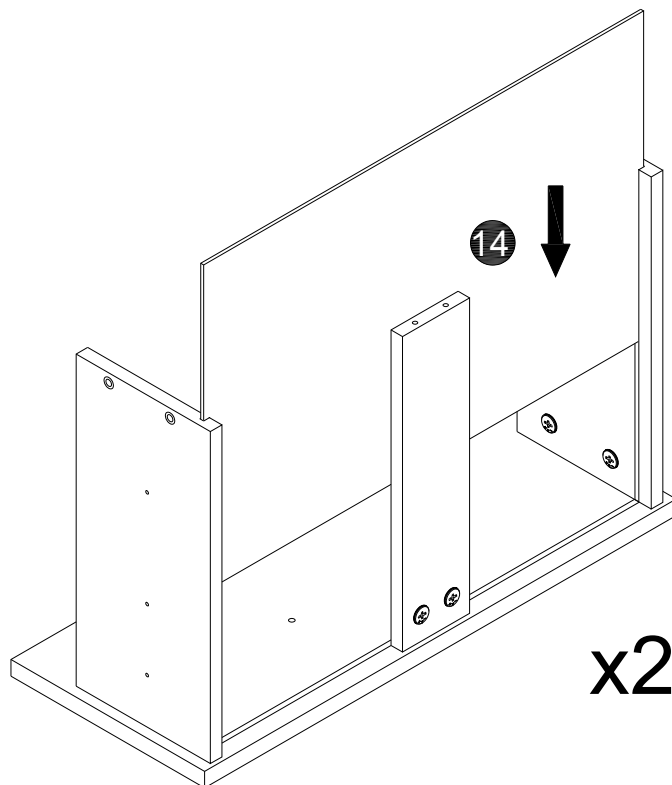


B x12

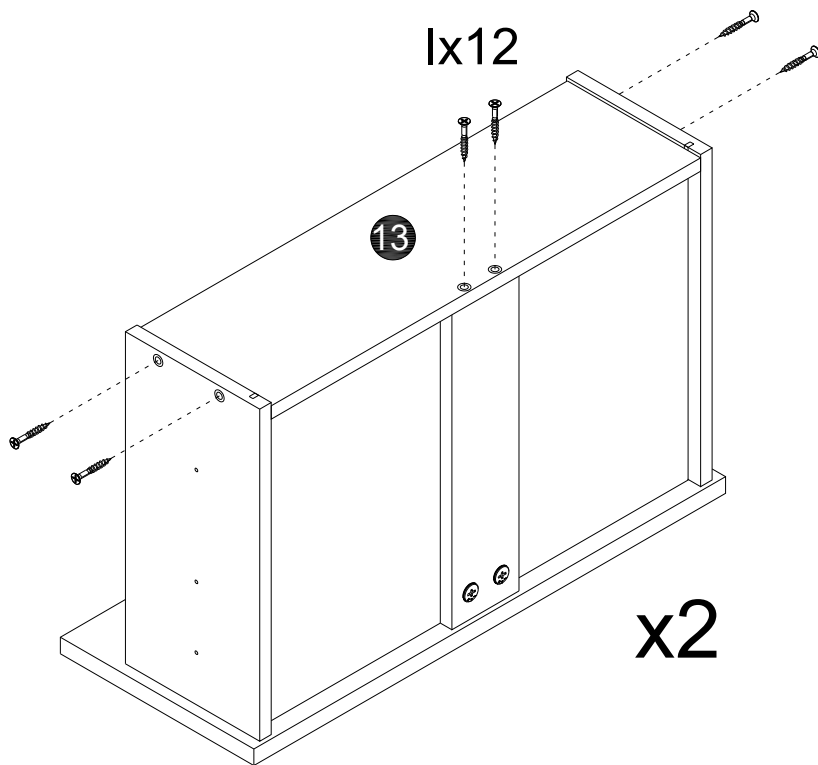


Ø15mm

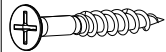
12



13

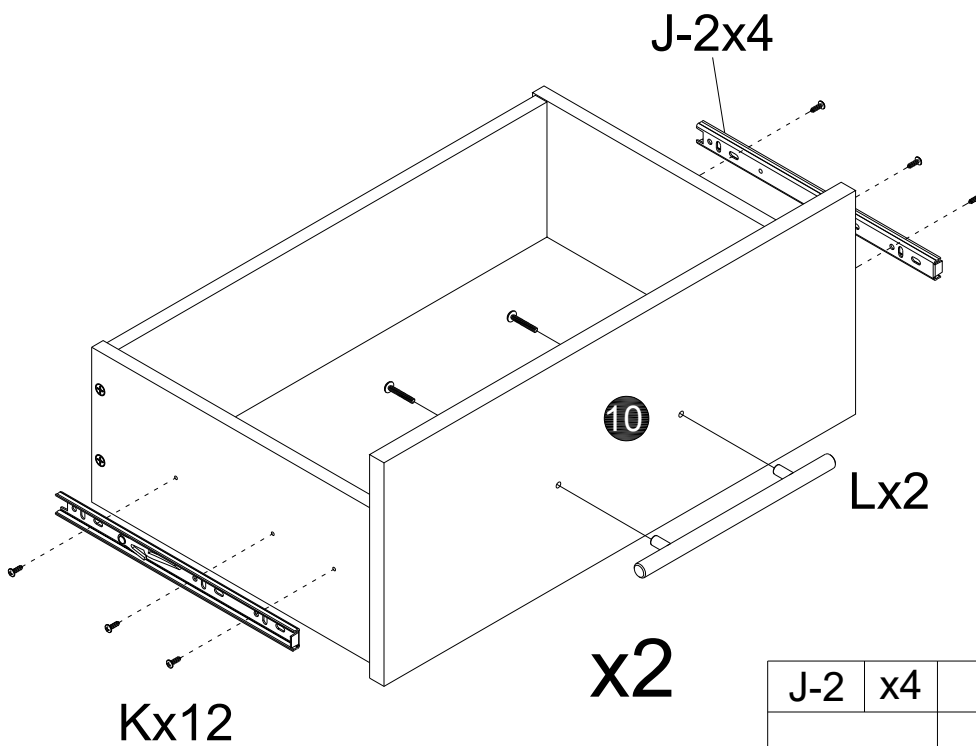
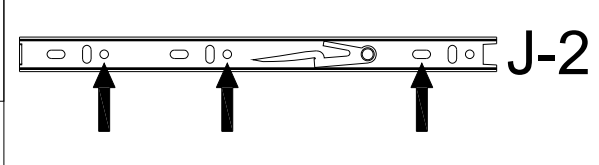


I x12



M5x38mm

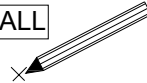
14



J-2	x4	K	x12	L	x2
10"		M3.5x12mm			

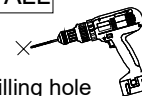
15

WALL



1 x1

WALL



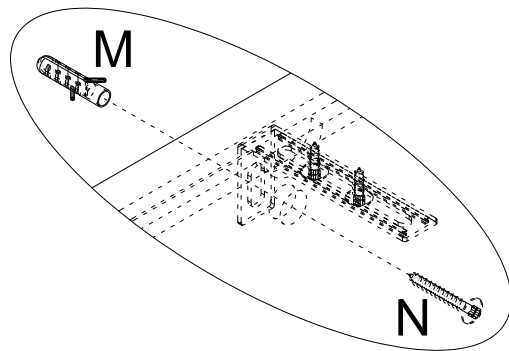
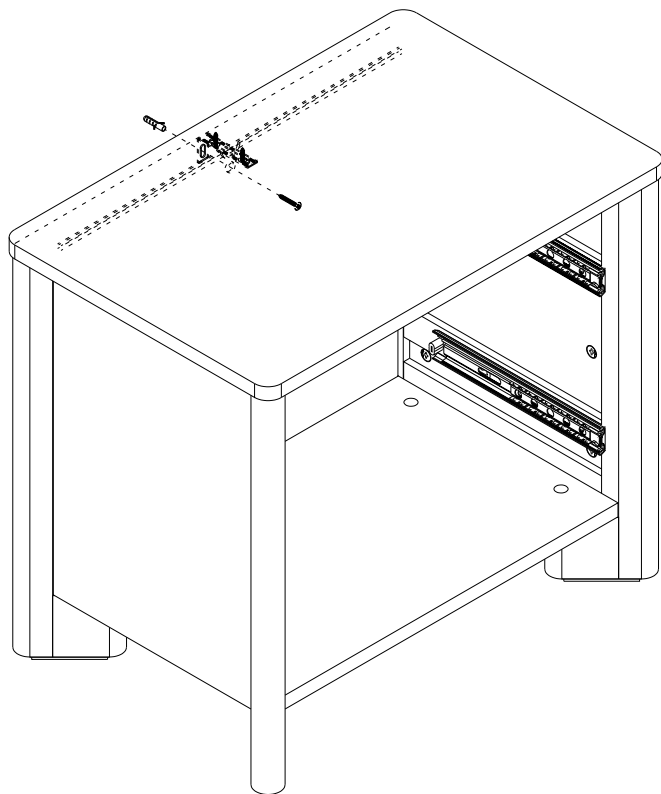
drilling hole
Ø6*30mm

2 x1

WALL

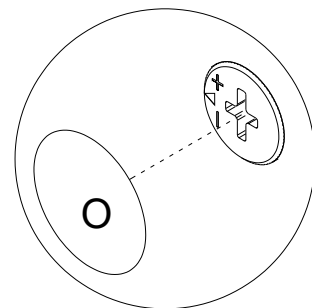
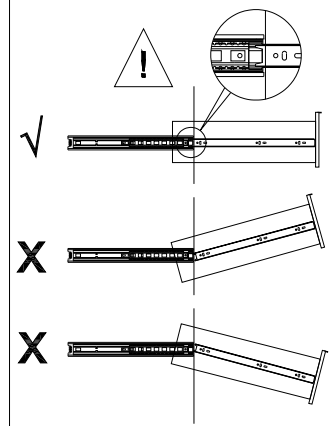
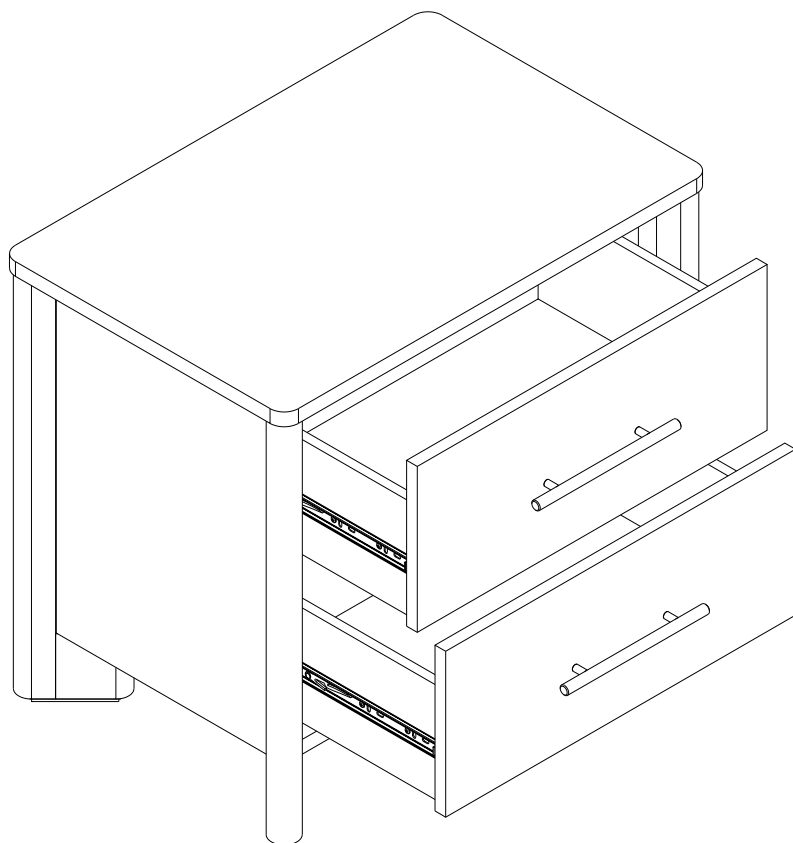


3 x1



M	x1	N	x1
M5x38mm			

16



O	x2
Ø25	