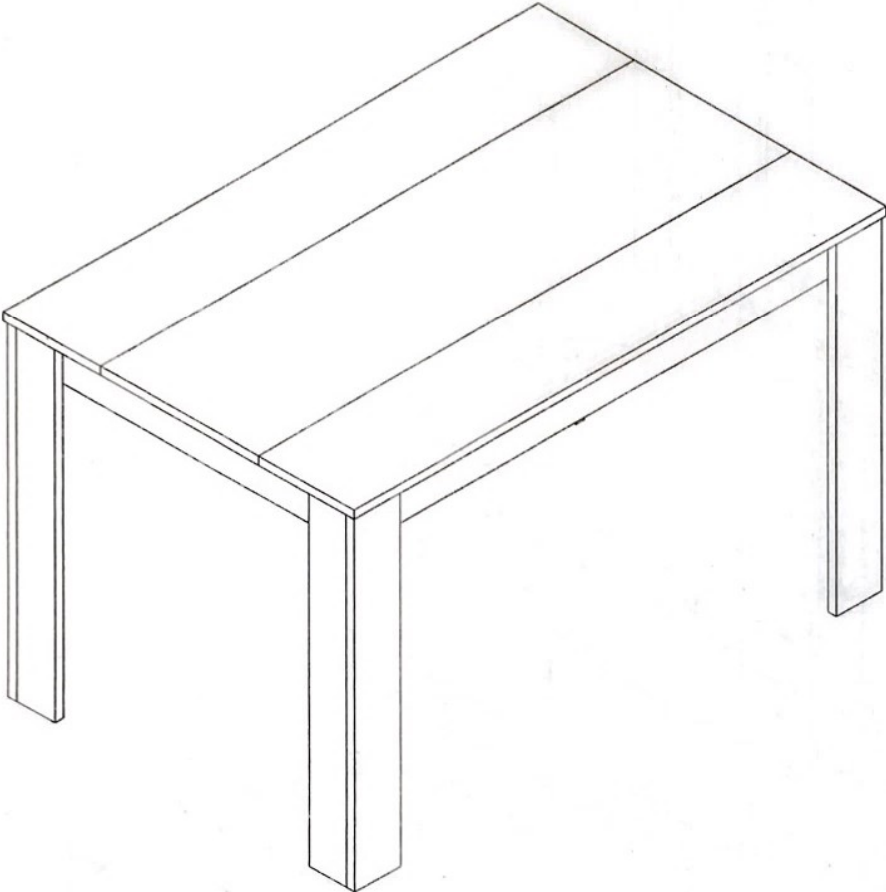














Assembly Instruction

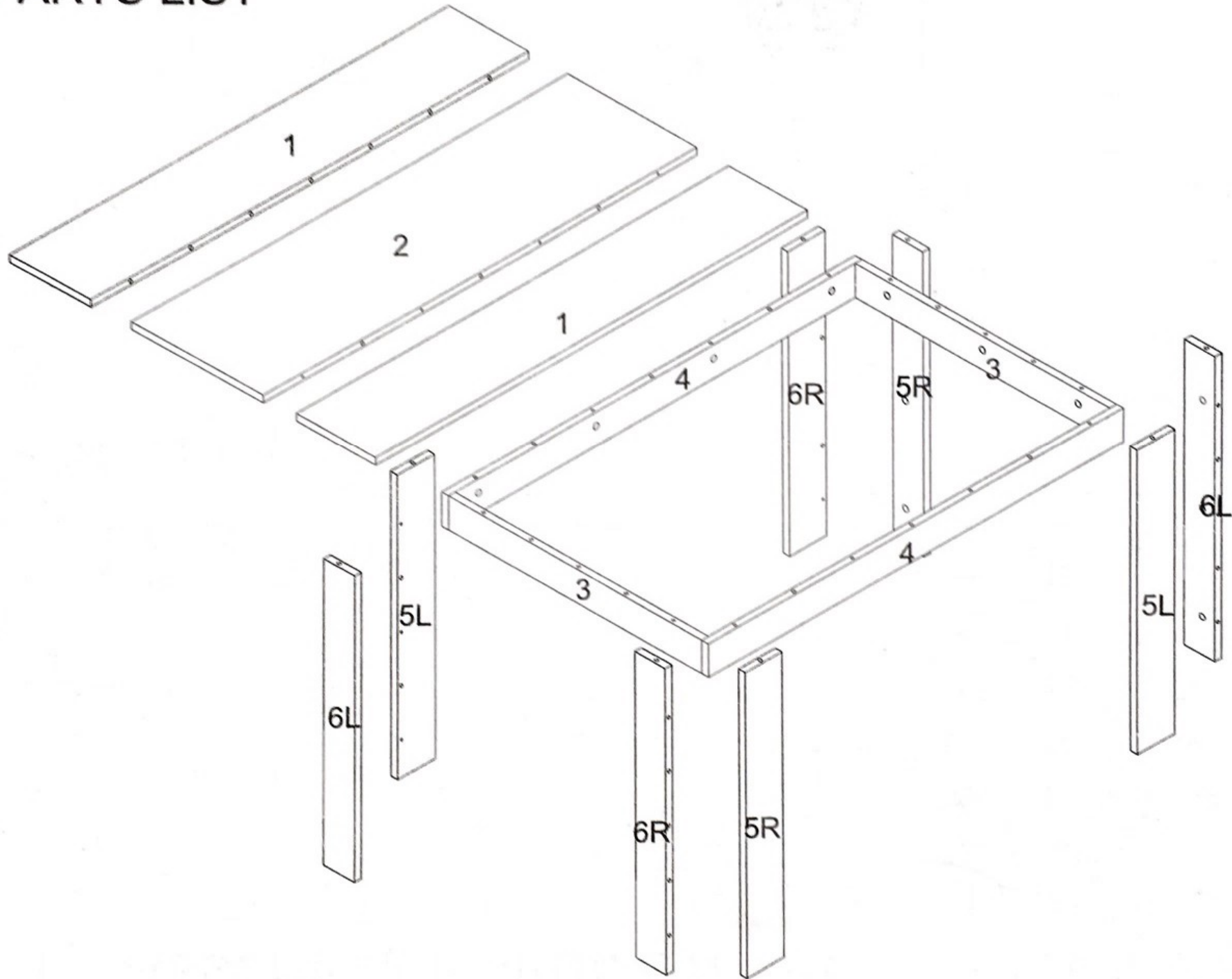


NO.	QTY.	LINEDRAWING
(A)	34	
(B)	34	
(C)	32	8x40 
(D)	24	3.5x30 
(E)	16	25x6 
(F)	16	3.5x15 
(G)	8	
(H)	12	
(I)	8	

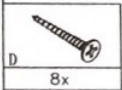
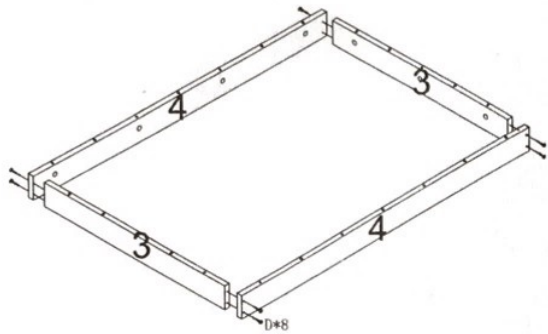




Hammer and Screwdriver
are not included !!

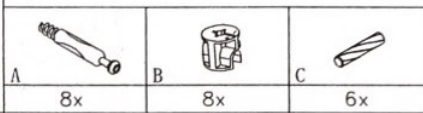
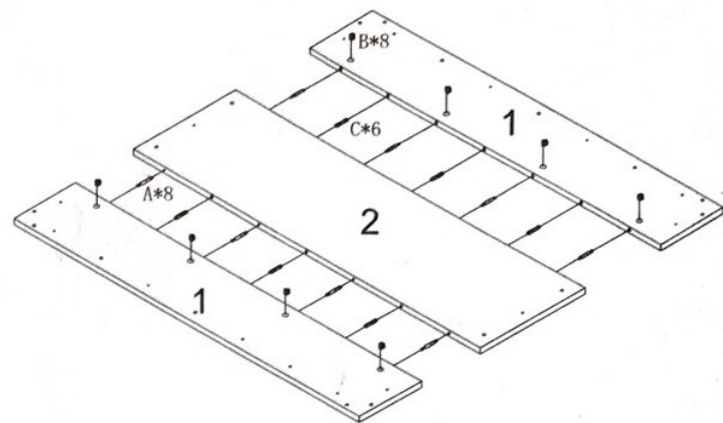
PARTS LIST



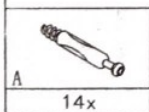
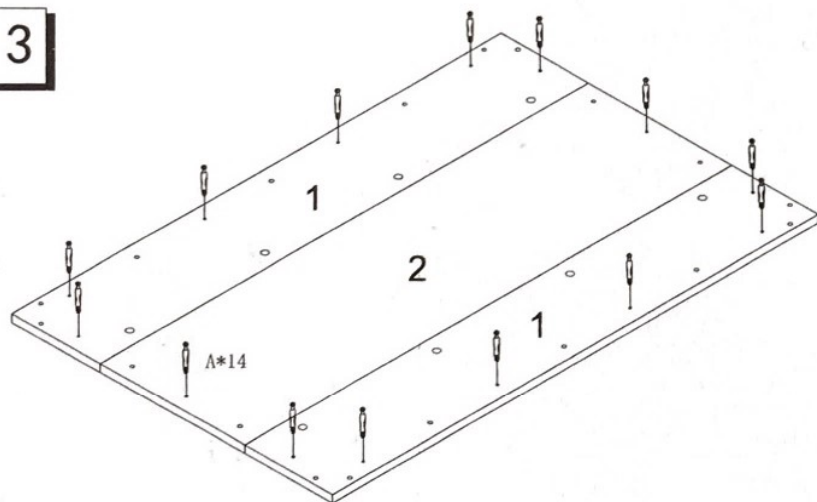
1



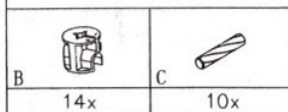
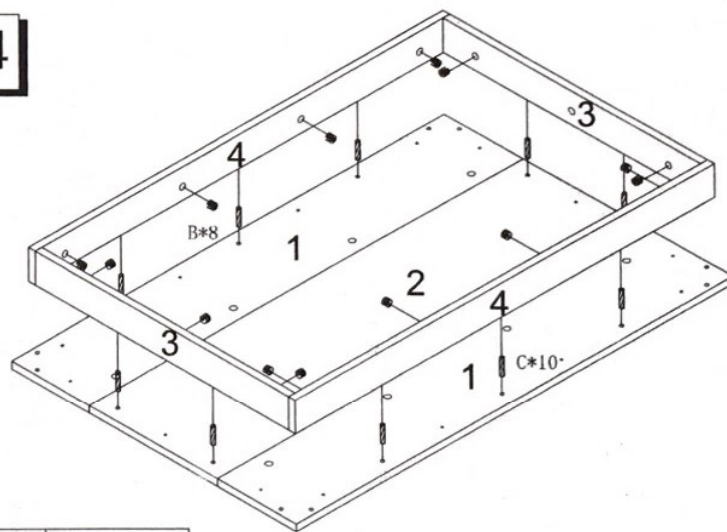
2



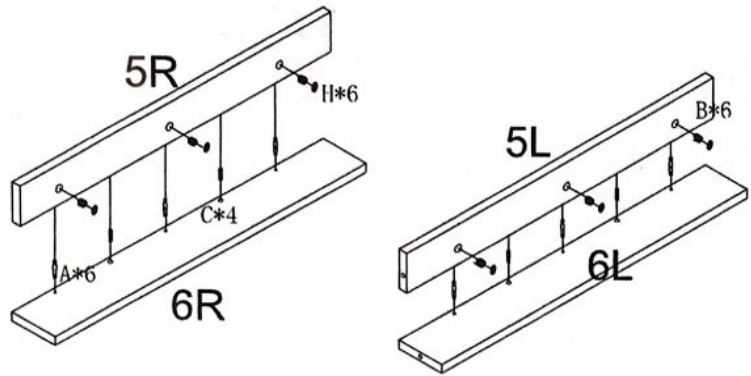
3







4



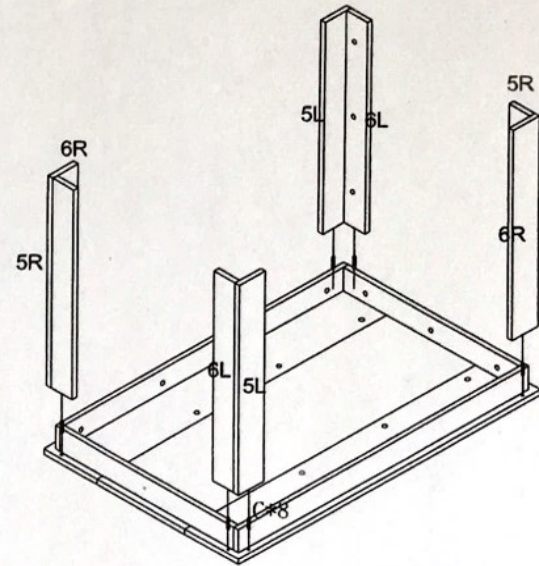
5




X2

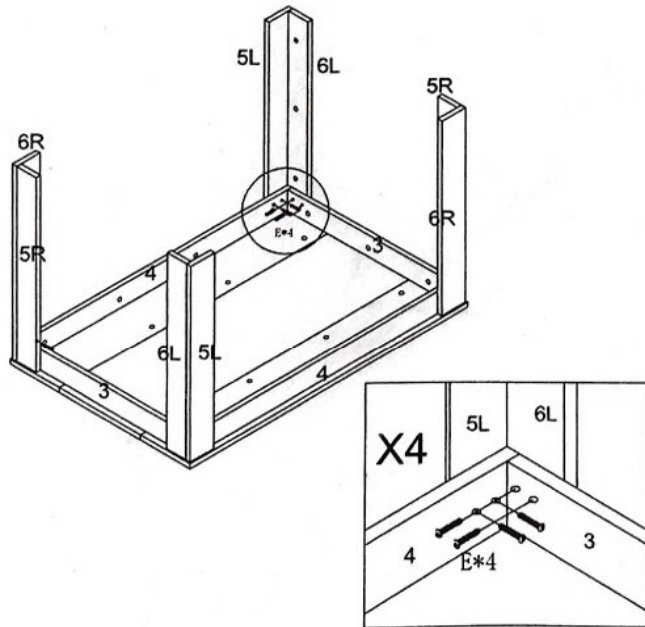
 A 6x	 B 6x	 C 4x	 H 6x
---	--	--	--


6



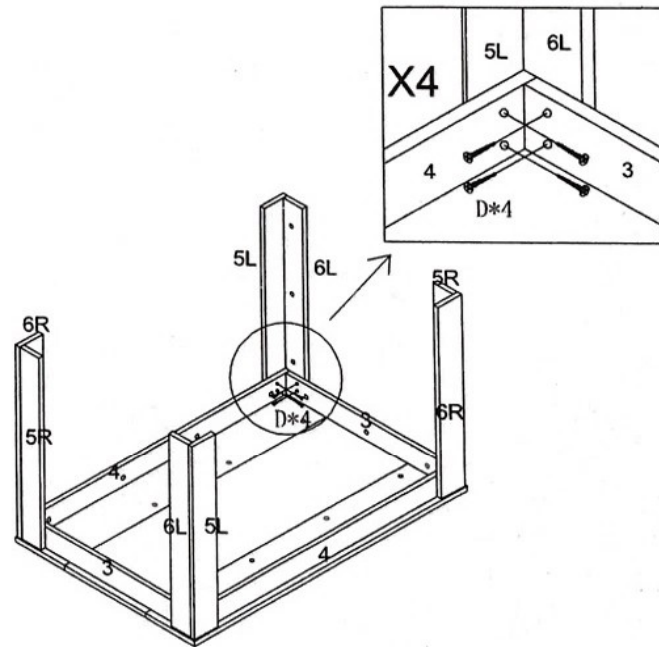
 C 8x
--

7



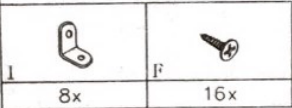
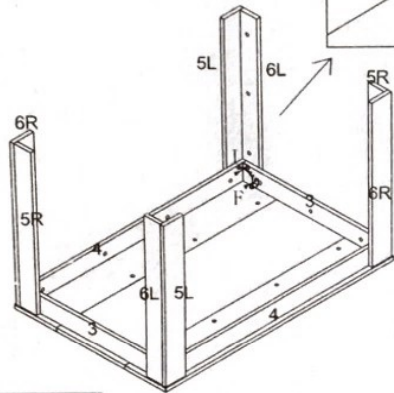
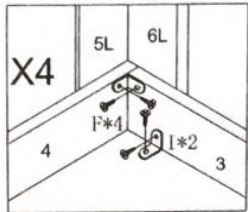
 E 16x
--

8



 D 16x

9



10

