

## Outdoor Concrete Fire Pit Model # PD-A220055-B

### **WARNING**

1. Improper installation, adjustment, alteration, service or maintenance can cause injury or property damage.
2. Read the installation, operation, and maintenance instructions thoroughly before installing or servicing this equipment.
3. Failure to follow these instructions could result in fire or explosion, which could cause property damage, personal injury, or death.

### **WARNING**

For Outdoor Use Only

### **WARNING**

This product can expose you to chemicals including carbon monoxide which is known to the State of California to cause birth defects or other reproductive harm. For more information go to [www.P65Warnings.ca.gov](http://www.P65Warnings.ca.gov).



#### Questions, problems, missing parts?

If instructions or parts are missing, please email us at [customerservice@ecotop-china.com](mailto:customerservice@ecotop-china.com).

## SAFETY INFORMATION

---

1. This fire pit is for outdoor use only and should not be used in a building, a garage, or any other enclosed area.
2. This fire pit is extremely hot when in use. Never attempt to touch or move your fire pit during use or before it has cooled down completely.
3. Be especially careful not to lean up against or let any body part touch the fire pit during use or after use until all fire, coals, and ashes are extinguished completely and it has cooled down completely. Any direct contact may lead to serious injury whether accidental or otherwise. Do not lean any objects against fire pit.
4. Do not use the fire pit for indoor heating. Toxic carbon monoxide can accumulate and cause asphyxiation and possibly death.
5. The fire pit is not for commercial use.
6. Do not operate the fire pit if under the age of 18 unless under strict adult supervision. The fire pit is not a toy.
7. Never leave the fire pit unattended, especially when children and pets are nearby.
8. Be aware of potential damage to people and property from embers.
9. The fire pit is not be used in a boat or recreation vehicle.
10. Always use the fire pit in accordance with all applicable local, state, and national codes. Contact your local fire department for details.
11. When using the fire pit, exercise the same precautions you would with any open fire.
12. The use of alcohol, prescription, or non-prescription drugs may impair the consumer's ability to operate the fire pit safely.
13. Do not use the fire pit until you have read the operation instructions and user warning.
14. The fire pit is designed for use with standard firewood logs and may not function properly with other fuel sources.
15. Do not alter or modify the fire pit in any manner.
16. Do not store or use gasoline or any other flammable vapors or liquids in the vicinity of the fire pit.
17. Do not store or use LP gas cylinders within 30 feet of the fire pit in operation.
18. Do not use the fire pit near automobiles, trucks, vans, or recreation vehicles.
19. Do not use the fire pit in any explosive environment. Keep the area around the fire pit clear and free of any combustible materials, gasoline, or any flammable liquids.
20. Do not use the fire pit under any overheard or near any unprotected combustible constructions. Avoid using or near any overhanging trees or shrubs.
21. Always use the fire pit on a level noncombustible surface. Use on wood or composite decks at your own risk.
22. Do not wear flammable or loose clothing when operating the fire pit.
23. Do not use the fire pit in windy conditions.
24. Do not use gasoline, kerosene, diesel fuel, lighter fluid, alcohol, or any other flammable liquid to light or relight the fire pit.
25. Keep all electrical cords away from the fire pit.
26. All surfaces of the fire pit are extremely hot when in operation. To avoid burns and serious injury, do not touch the fire pit until the fire is completely out and it has cooled down completely. Never touch the coals or ash to see if they are still warm.
27. Do not attempt to move or store the fire pit until all fire, coals, and ashes are completely extinguished and the fire pit has cooled down completely.
28. Do not lean over the fire pit when lighting or when it is in use. Always keep a safety distance to avoid the burns
29. Do not use water to extinguish the fire as this could cause damage to the fire pit as well as injury to the user.
30. Serious injury, death, and/or property damage may occur if the above instructions are not followed exactly.

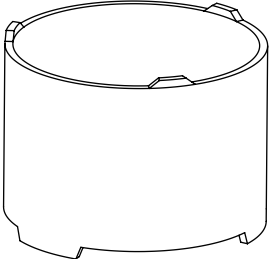
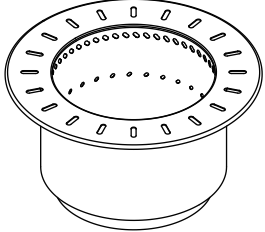
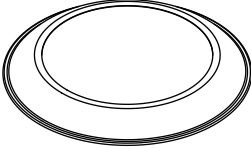

## TIPS & REMINDERS

Use dry hard woods for best results.

When you use your fire pit firstly, it will take approx. 5-15 minutes to achieve a desirable flame. The more evenly your fire burns inside your fire pit, the more prominent the flame pattern showing the secondary combustion will appear.

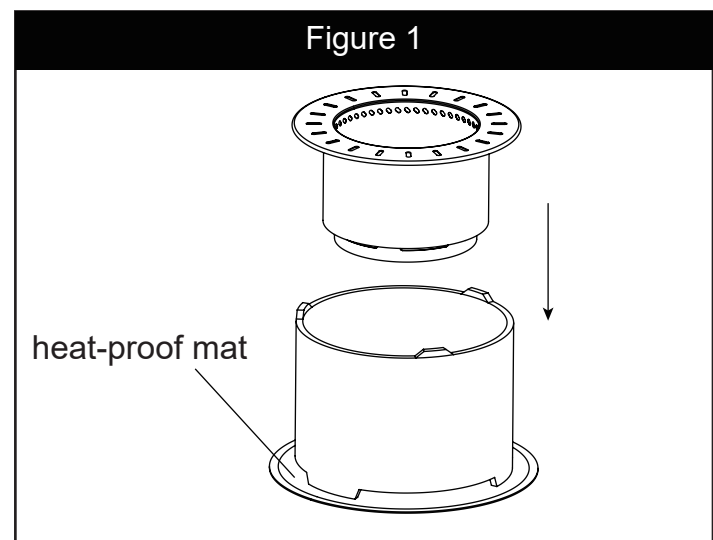
Overfilling your fire pit above the top air holes will decrease efficiency and produce more smoke.

## PACKAGE CONTENTS

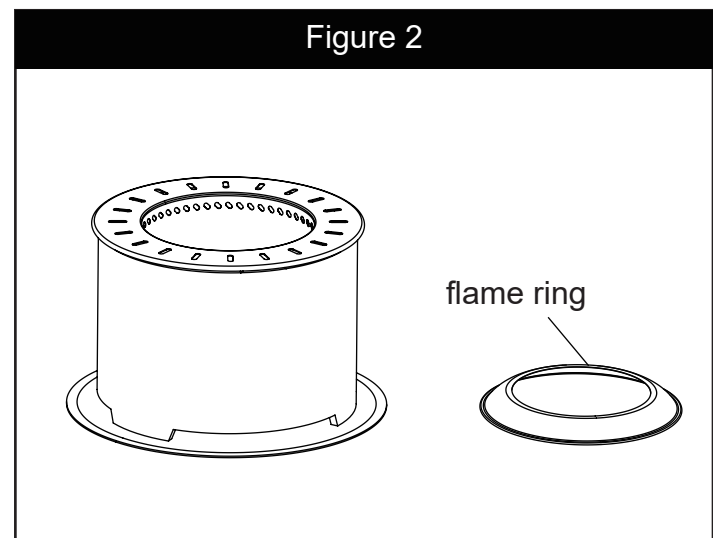
fire pit surround 1pc	burning chamber 1pc	flame ring 1pc	heat-proof mat 1pc
			

## OPERATION

1. Place the stainless-steel chamber onto the fire pit surround tenderly and carefully, then place the fire pit surround on a level and noncombustible ground (see Figure 1).



2. Remove the flame ring and set it aside (see Figure 2).



## OPERATION

3. Prepare the tinder or small wood pieces. Place the tinder or small pieces in the center of the fire pit (see Figure 3).

**NOTE:** for best results, do not overfill with wood that covers or extends above the top air holes.

4. Prepare the tinder or small wood pieces. Place the tinder or small pieces in the center of the fire pit (see Figure 3).

**NOTE:** for best results, do not overfill with wood that covers or extends above the top air holes.

5. Light the fire (see Figure 5).

**WARNING:** before lighting, remove the label "Extremely hot, DO NOT touch" from the burning chamber and flame ring.

Figure 3

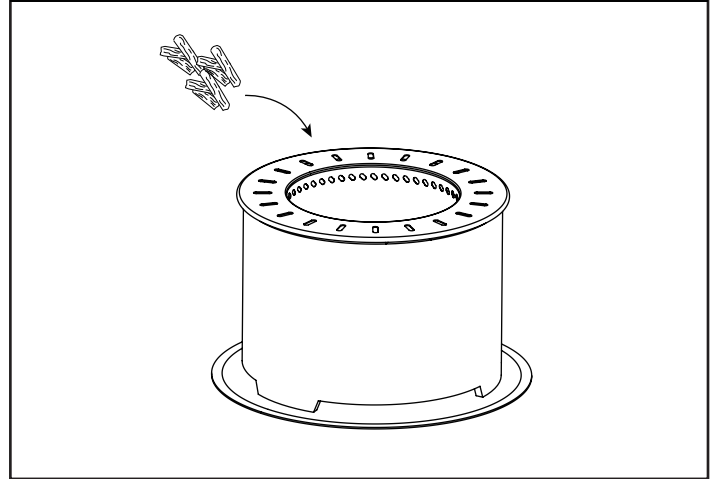


Figure 4

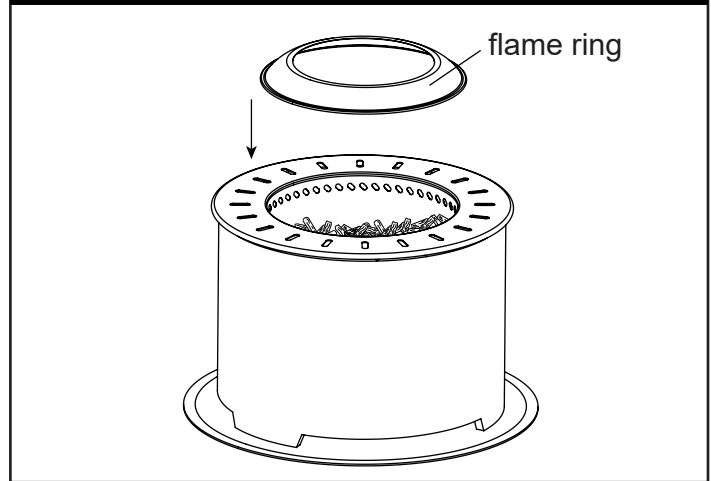
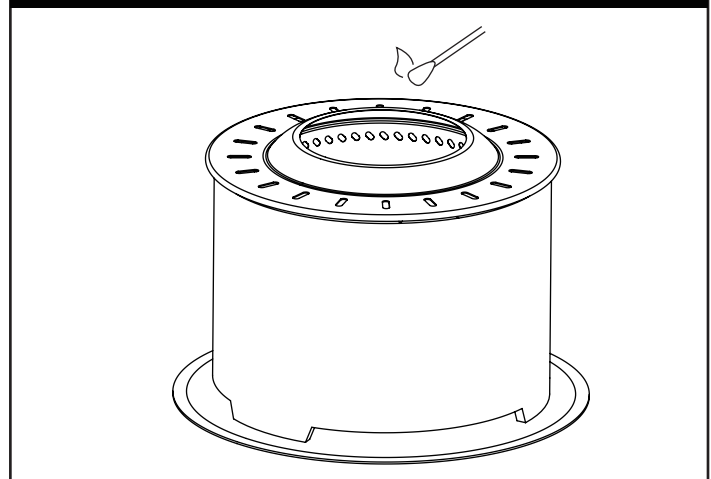


Figure 5



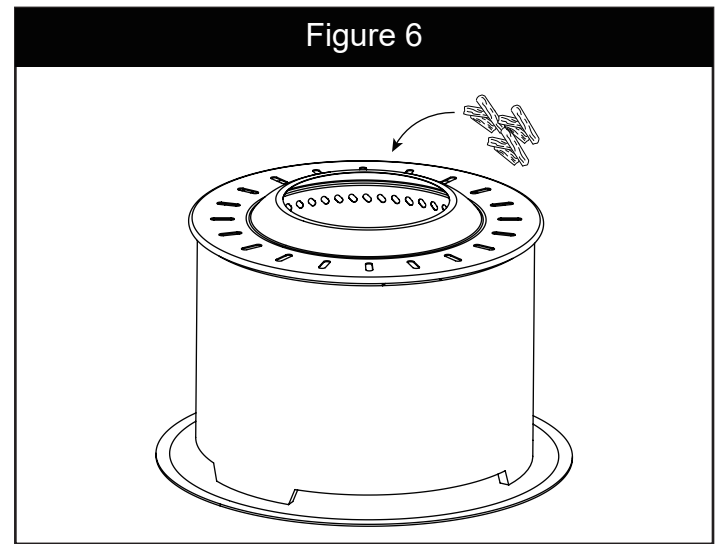
## OPERATION

- As the ember bed gets hotter, start adding in 1-3 pieces of wood. As those catch, and enough wood to fill the chamber (see Figure 6).

**WARNING:** during the burning, the burning chamber and flame ring will become extremely HOT. DO NOT touch during the burning or immediately after turning off the heater.

**WARNING:** before touching the burning chamber and flame ring, wait at least 30 minutes until they are cooled COMPLETELY.

- After the fire pit has cooled down completely, take out the chamber and empty the ash.



## WARRANTY

### 1. Frames

Frames are warranted to be free from defects in materials and workmanship for a period of one (1) year. Damage to frames or welds due to improper assembly or exposure to water and sub-freezing temperatures, is not covered. Breakage that is a result of product being dropped, acts of God, acts of war, etc. are not covered. Rust is not covered.

### 2. Finish

The finish is warranted against peeling, cracking, or blistering for a period of one (1) year provided the product has not been scratched or abraded. Scratches and chips resulting from normal wear and tear are not covered. Fading resulting from exposure to elements is not covered. Stains as a result of chemical spills and certain food items are not covered.