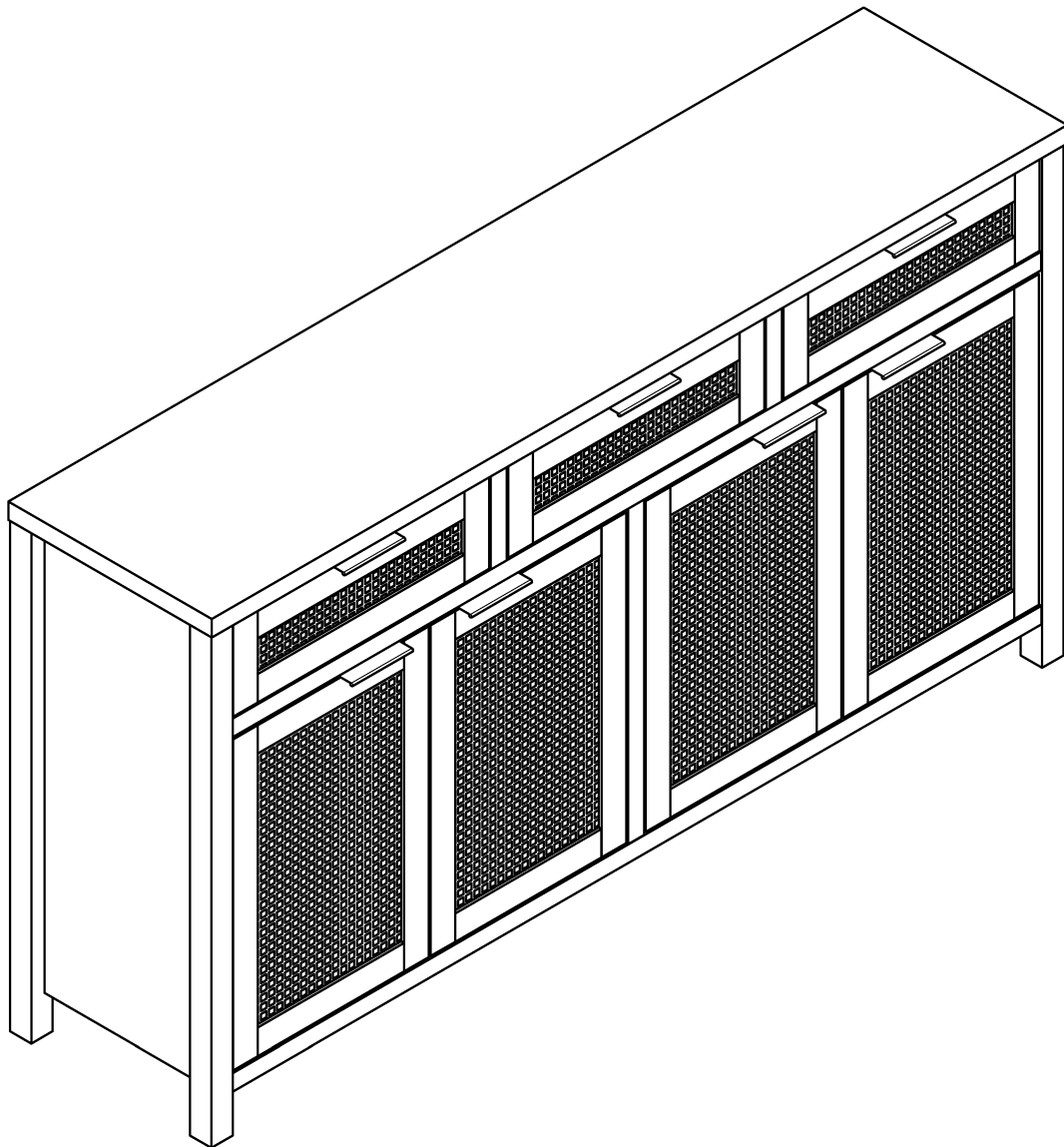


Assembling Instruction

Assembly Instructions

Generating Drawings



ATTENTION

If there is any missing, please kindly send us messages to let us know the name of missing part regarding to the first page of instructions.

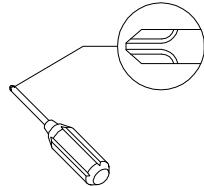
We will send replacement to you asap. We are concerned about each customer's experience, if there is any loss or damage, please contact us at any time, we will provide effective solutions.

Please attach your Oder ID so that we can assist you better.

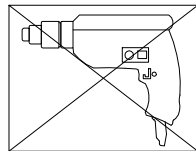


General Assembly Guidelines

- I. Ensure that all parts and hardware are available before beginning assembly.
- II. Follow each step carefully to ensure the proper assembly of this product.
- III. Two people are recommended for ease in the assembly of this product.
- IV. The three main types of hardware used to assemble this product are : wood dowels , screws and bolts.
- VI. A Phillips head screwdriver is required for the assembly of this product .

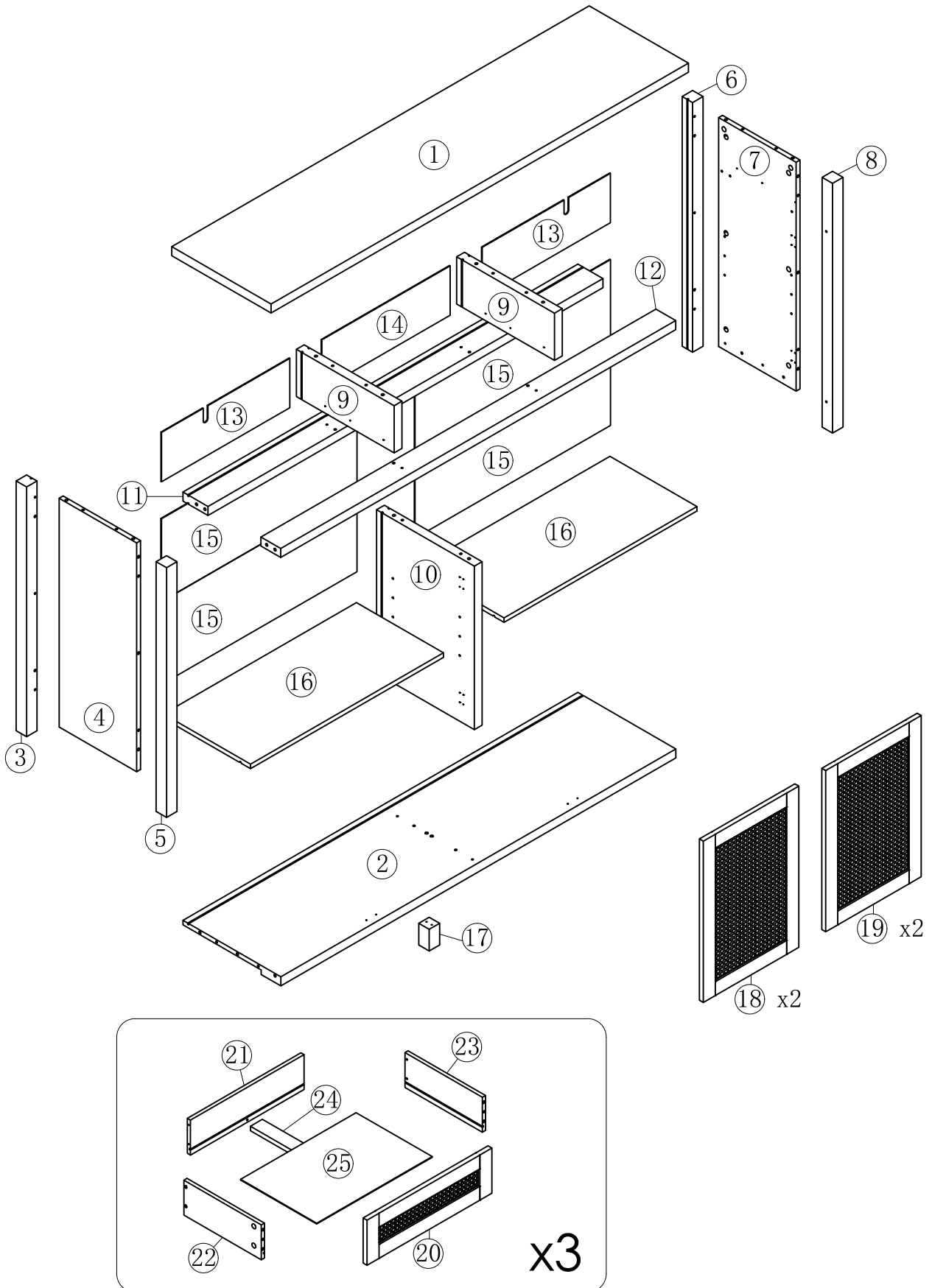


- VII. Power tools should not be used to assemble this product .

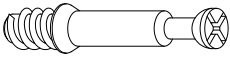
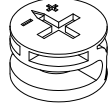



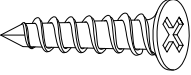
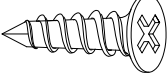
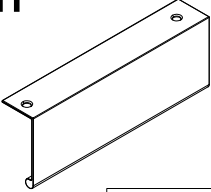
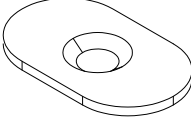
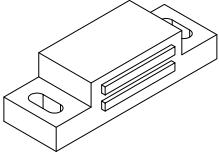
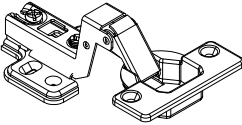
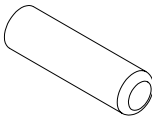
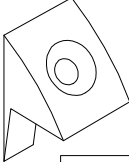
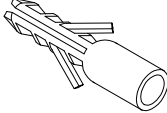
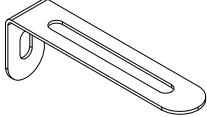
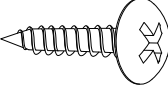
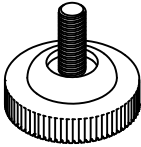
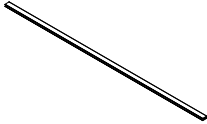
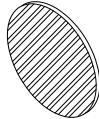
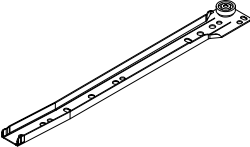
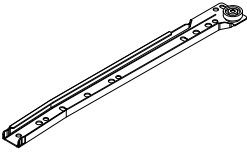
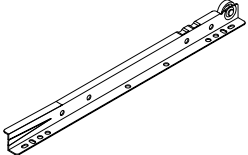
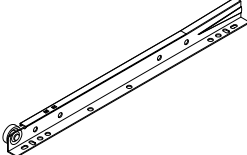


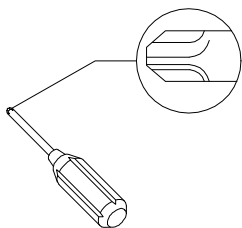
- VIII. Concealed hinges are three-way adjustable.

Parts List



HARDWARE PACK CONTENT

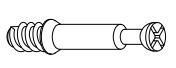
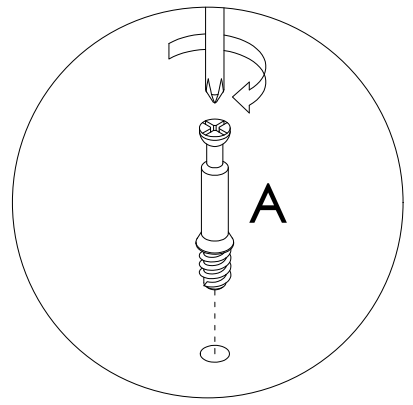
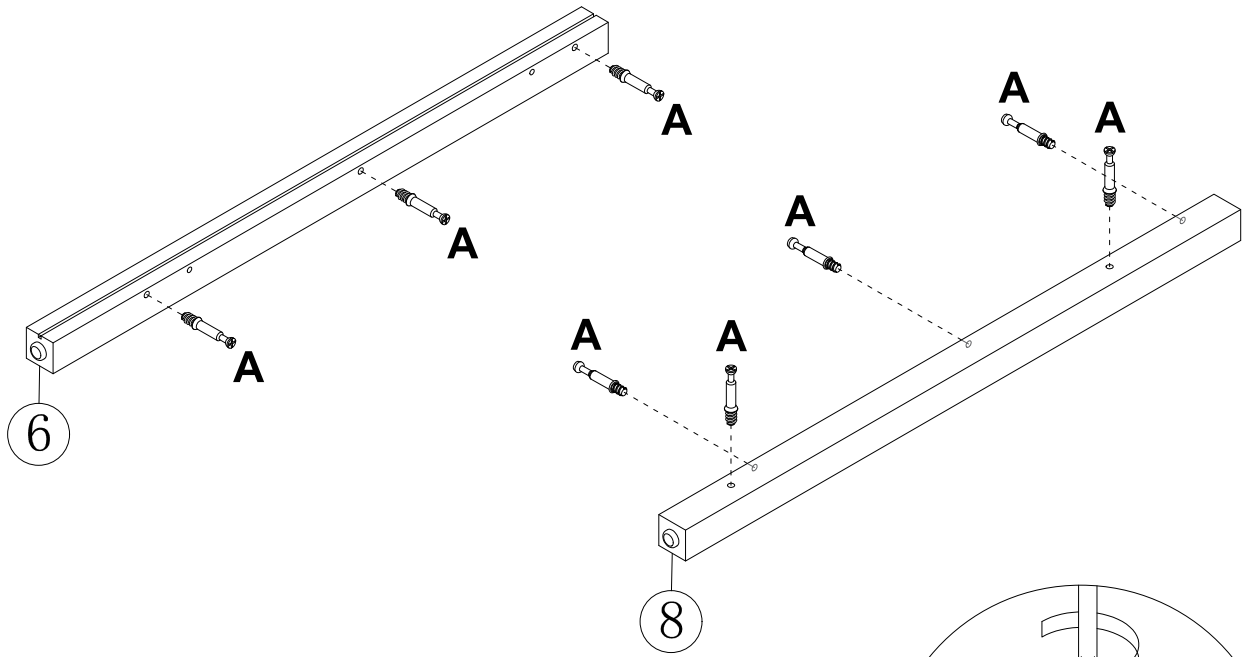
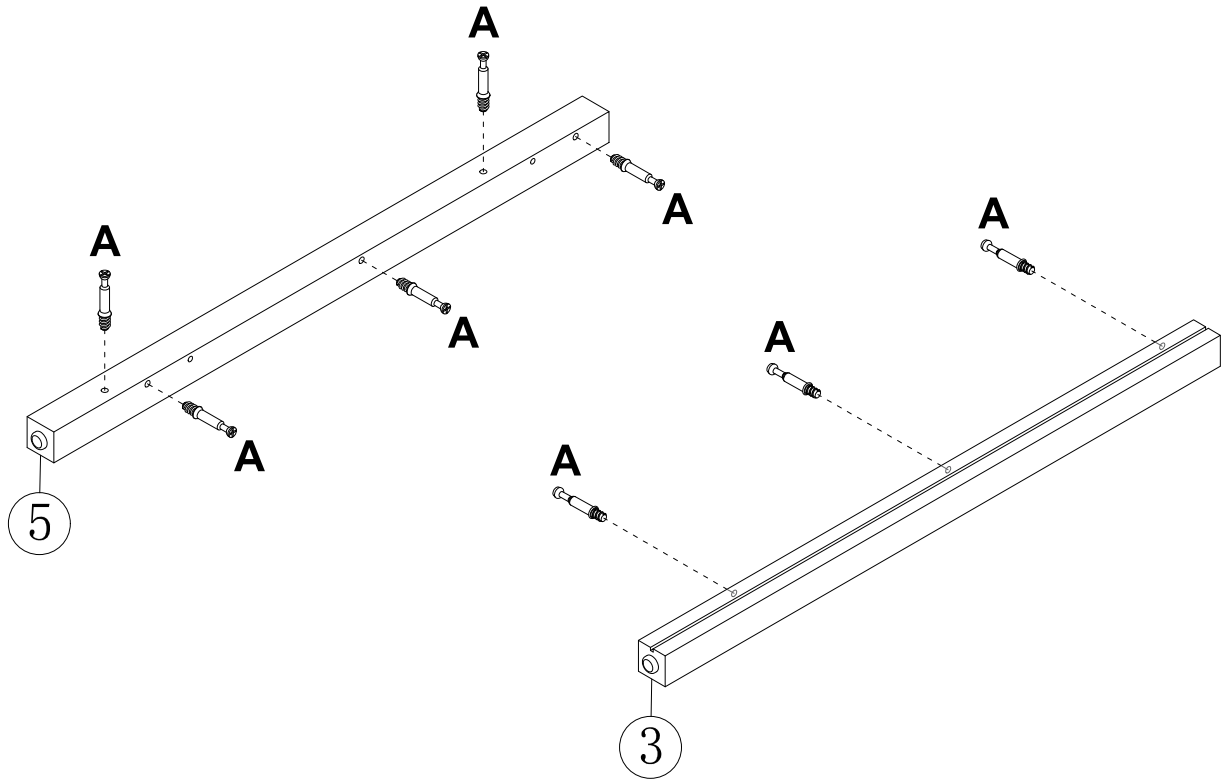
A  M6x35mm 51+4PCS	B  Ø15x9mm 51+4PCS	C  M4x40mm 25+3PCS	D  Ø6x30mm 34+4PCS	E  M3x12mm 44+4PCS
F  M3x14mm 28+3PCS	G  M3.5x12mm 62+4PCS	H  96mm 7PCS	I  8PCS	J  4PCS
K  Ø35mm 8PCS	L  M5x20mm 8+1PCS	M  20+2PCS	N  2PCS	O  2PCS
P  M4x12mm 4PCS	Q  M6x18mm 1PC	R  741mm 2PCS	S  Ø20mm 51+4PCS	CL  300mm 3PCS
CR  300mm 3PCS	DL  300mm 3PCS	DR  300mm 3PCS		



Philips head screwdriver required for assembly
(not included)

*The hardware quantities listed above are required for proper assembly.
Some extra hardware may also have been included.*

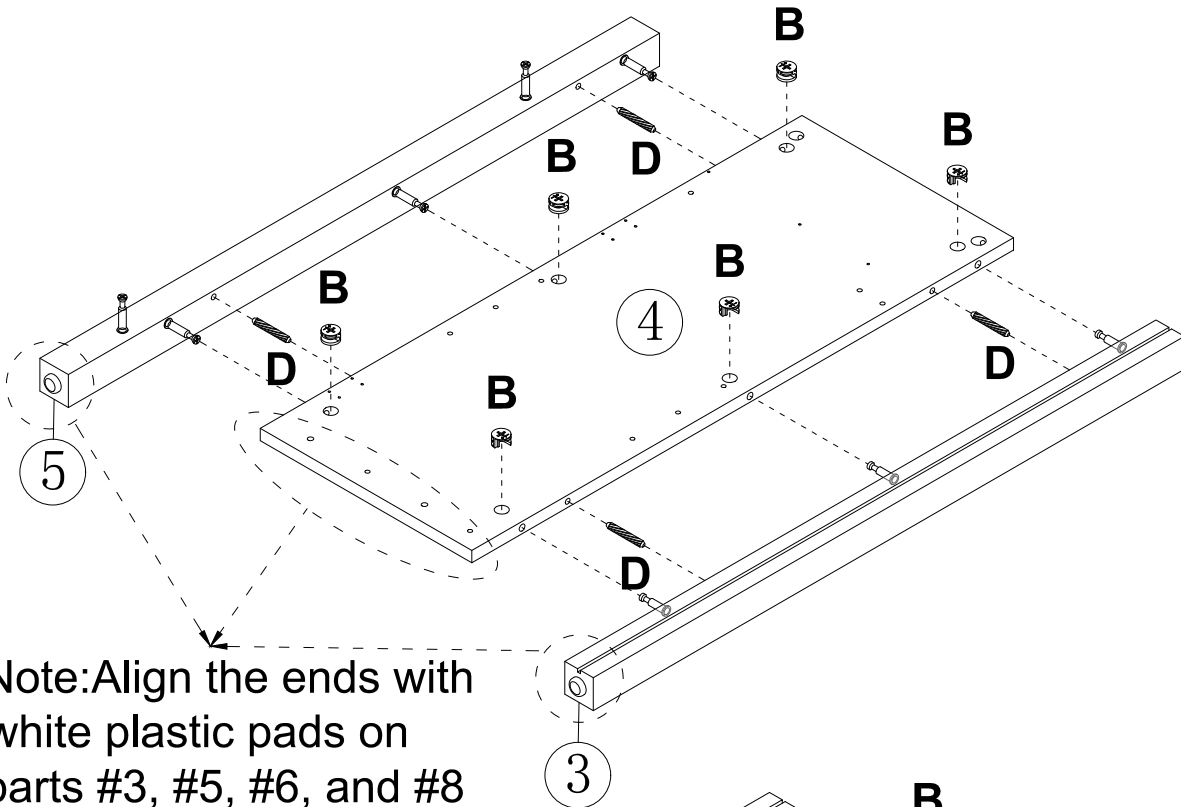
Step 1



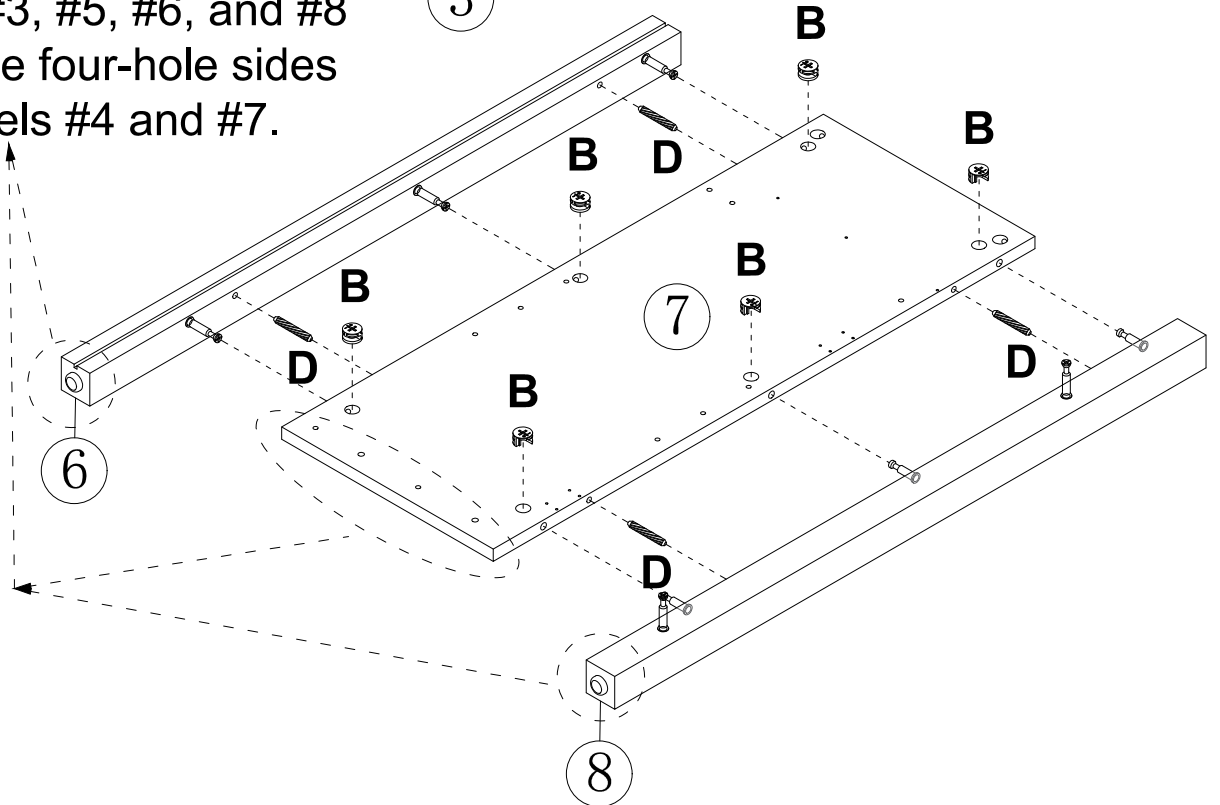
A x 16PCS

Step 2

NOTE: Use #4 board to connect #3 and #5 legs, Use #7 board to connect #6 and #8 legs.



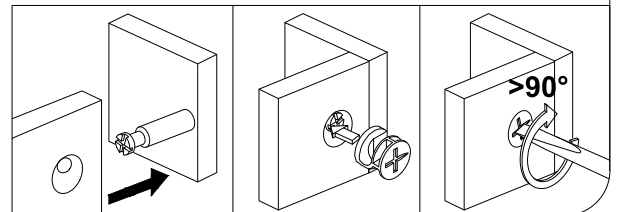
Note: Align the ends with white plastic pads on parts #3, #5, #6, and #8 with the four-hole sides of panels #4 and #7.



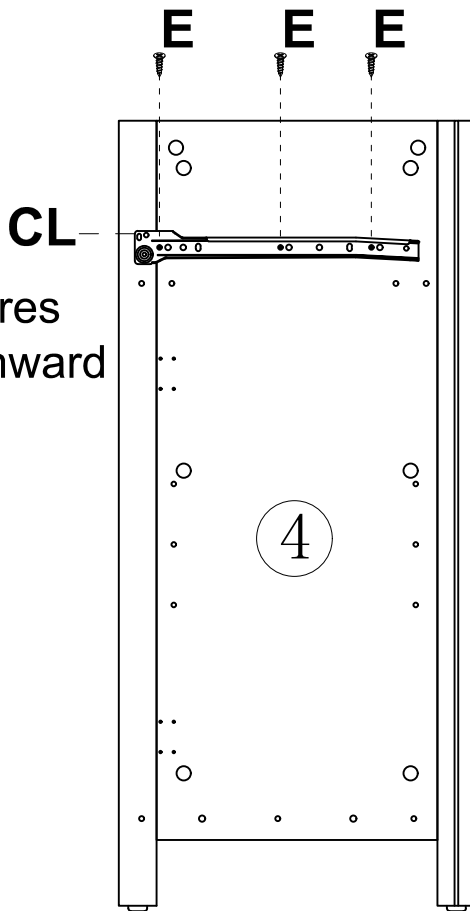
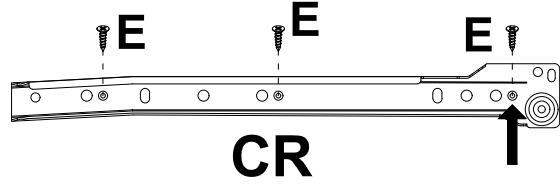
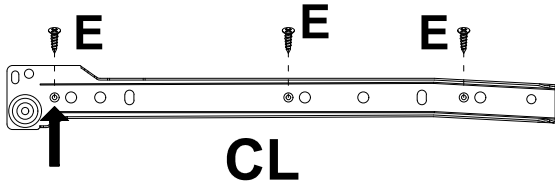
B x 12PCS



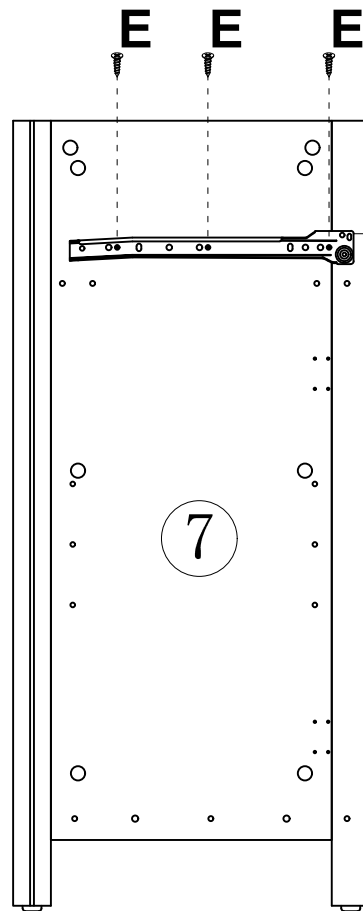
D x 8PCS



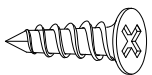
Step 3



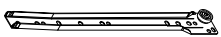
NOTE:rollres
face downward



NOTE:rollres
face downward



E x 6PCS

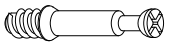
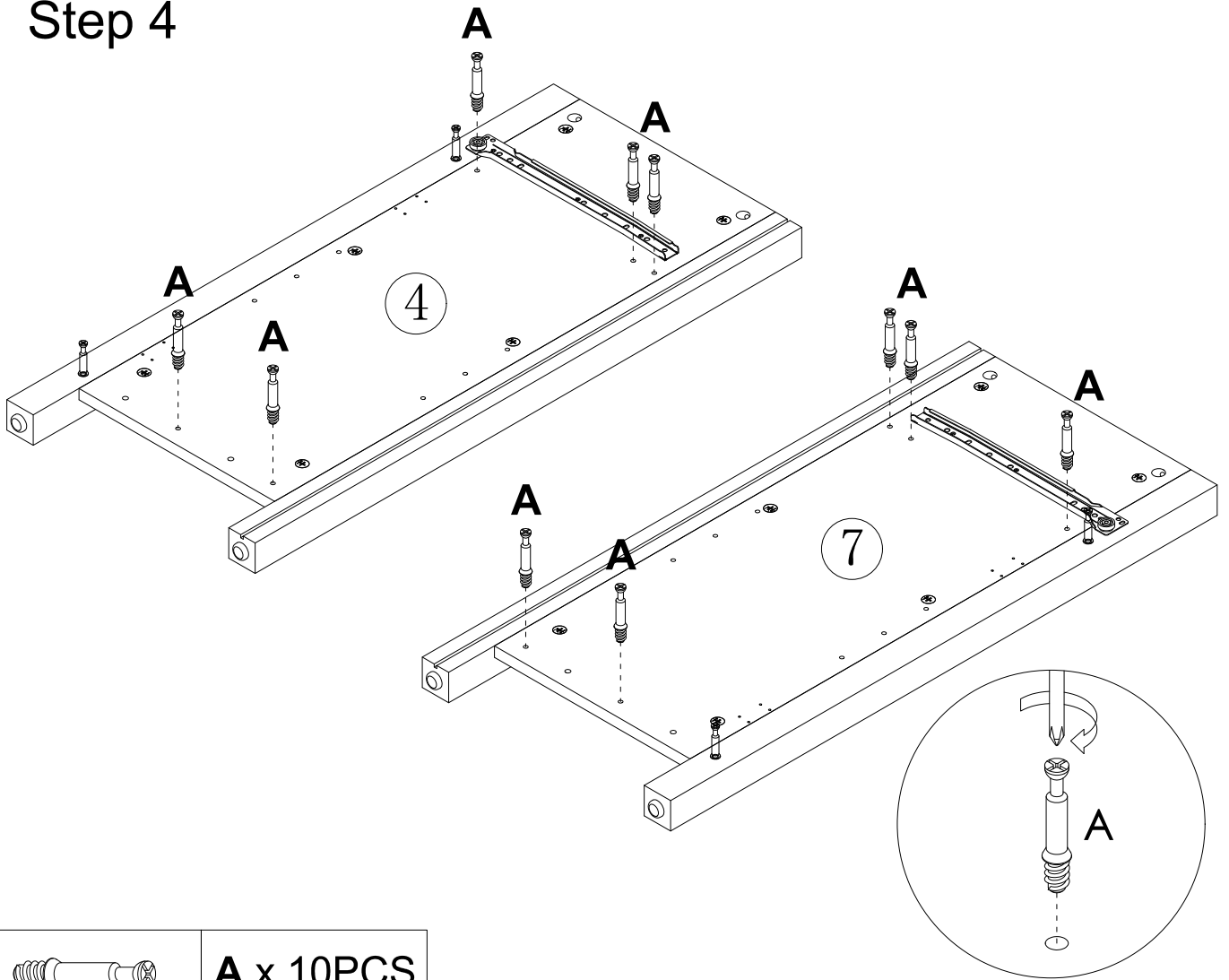


CL x 1PC



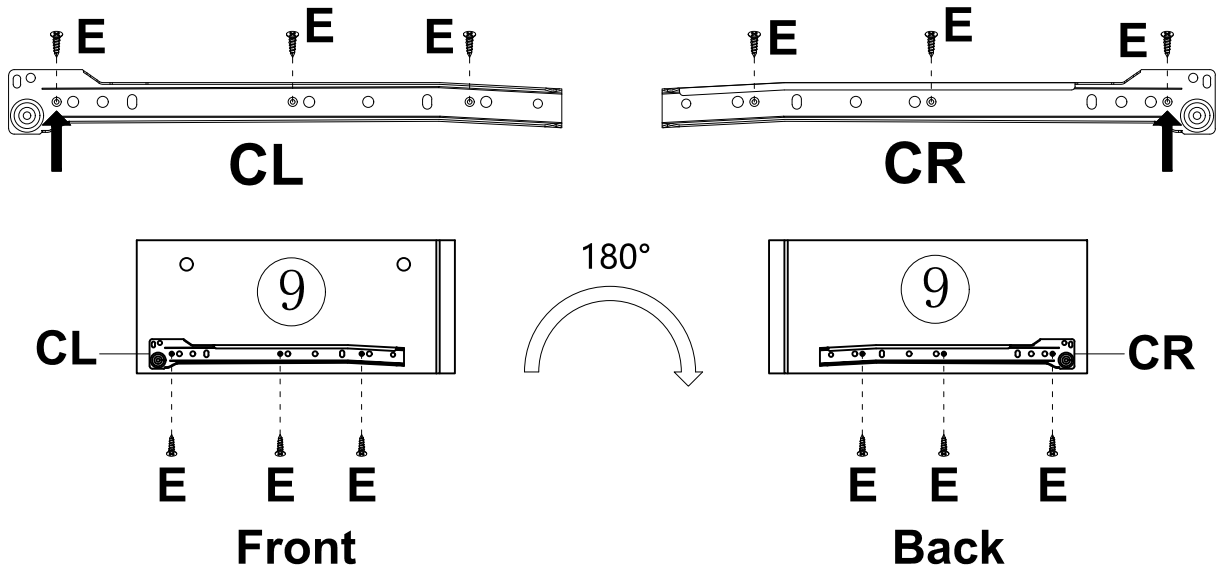
CR x 1PC

Step 4

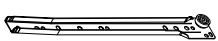


A x 10PCS

Step 5



E x 12PCS



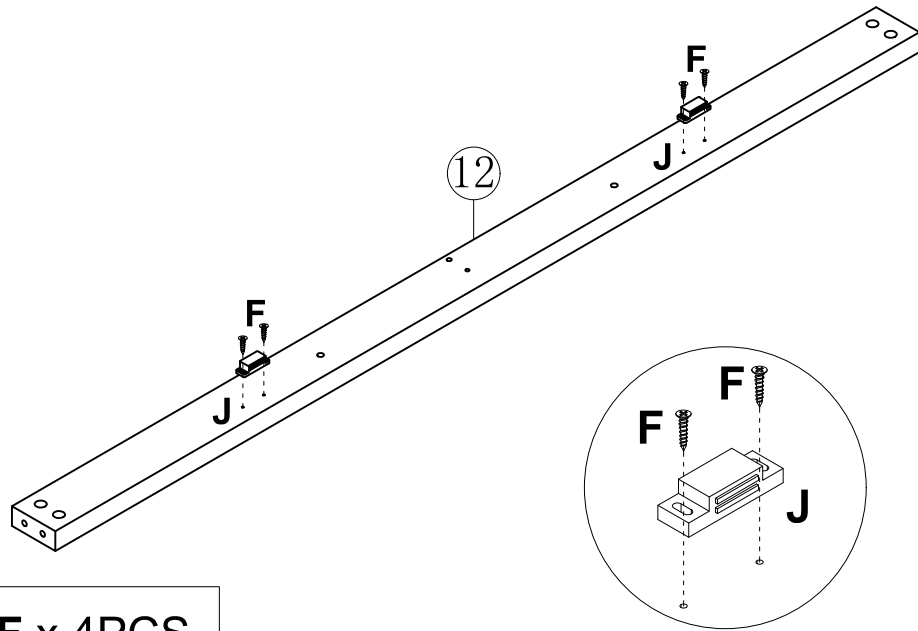
CL x 2PCS


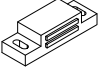


CR x 2PCS

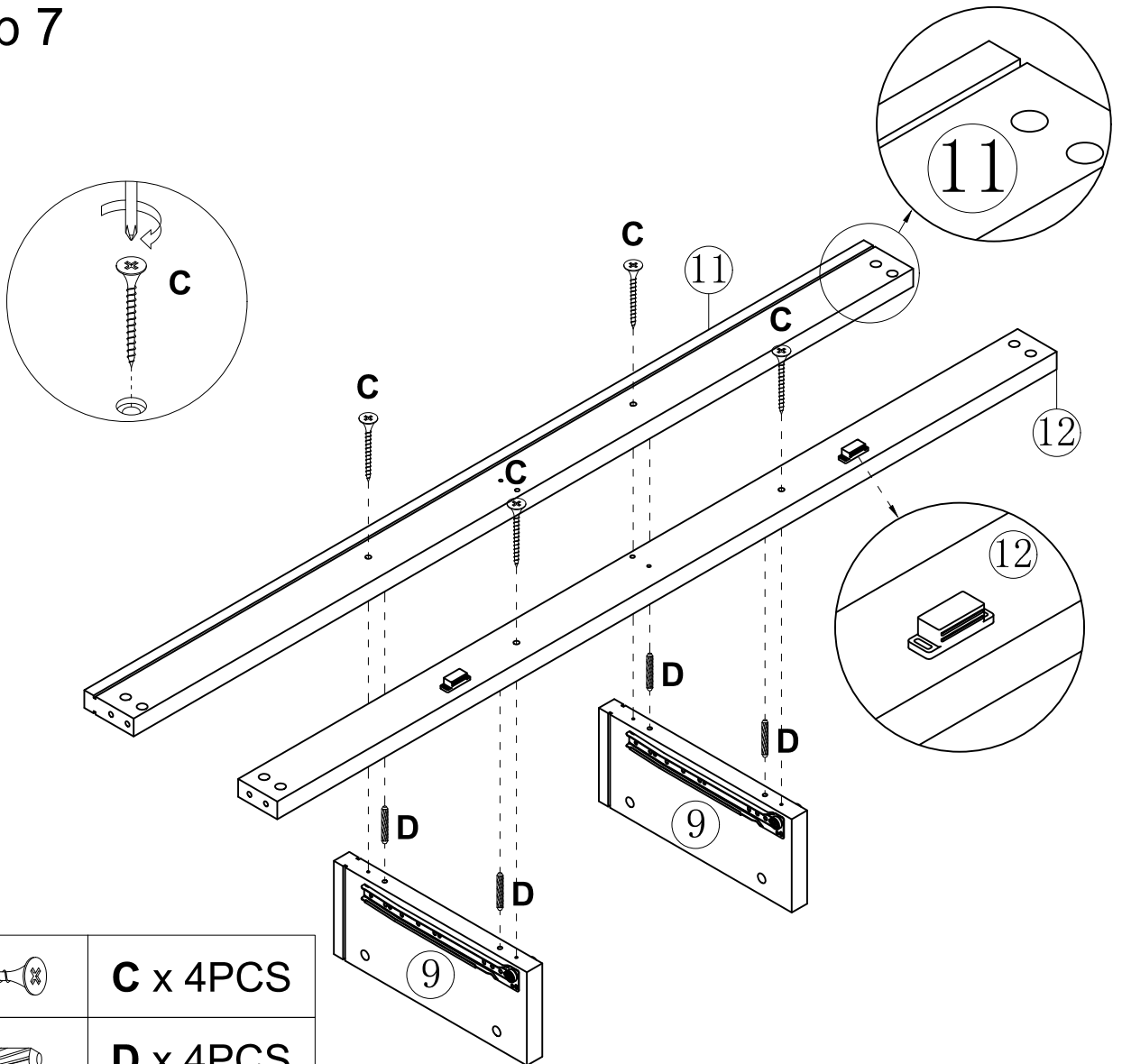
x2



Step 6



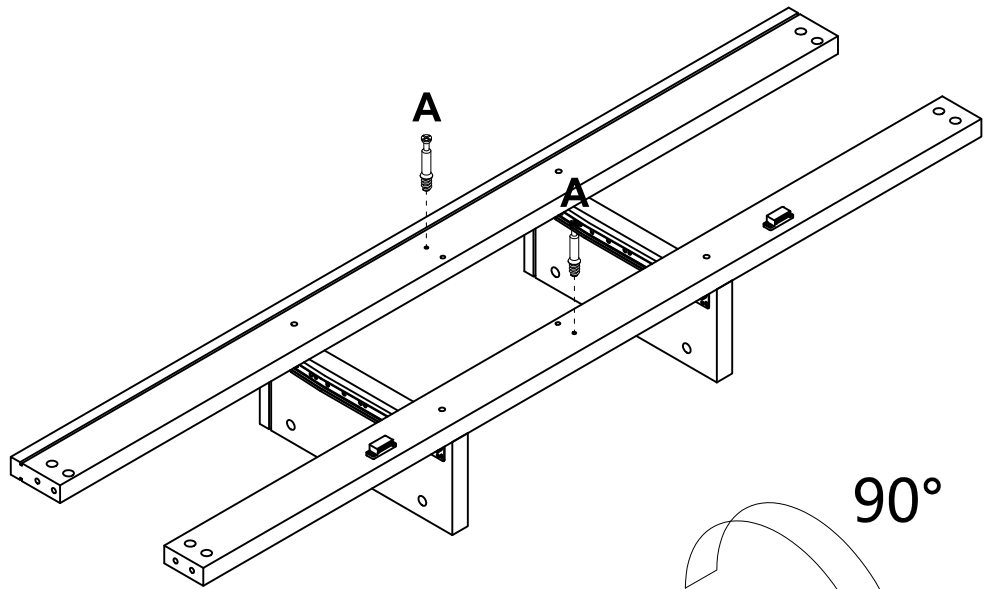
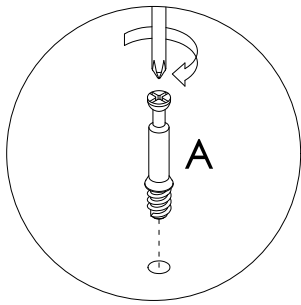
	F x 4PCS
	J x 2PCS

Step 7

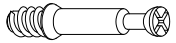


	C x 4PCS
	D x 4PCS

Step 8

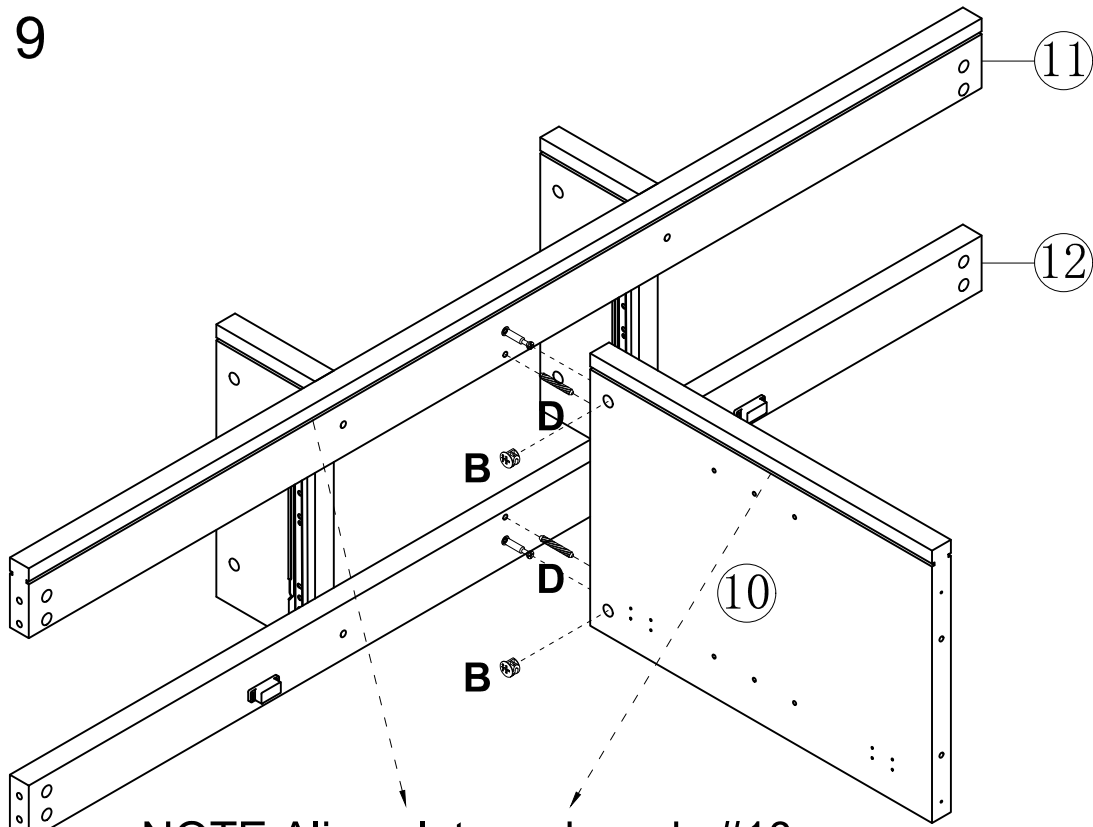


90°



A x 2PCS

Step 9



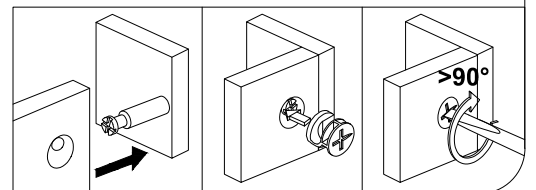
NOTE: Align slots on boards #10 and #11 to avoid inverting #10.



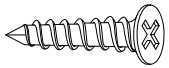
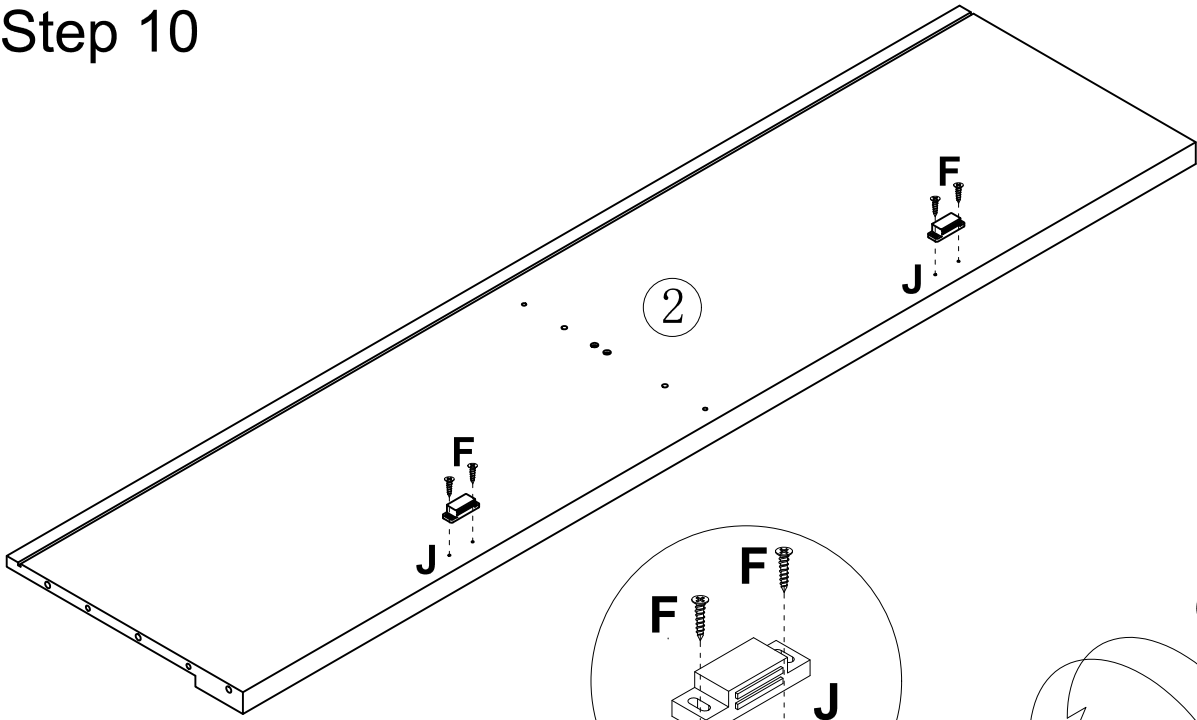
B x 2PCS



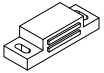
D x 2PCS



Step 10

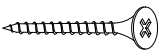
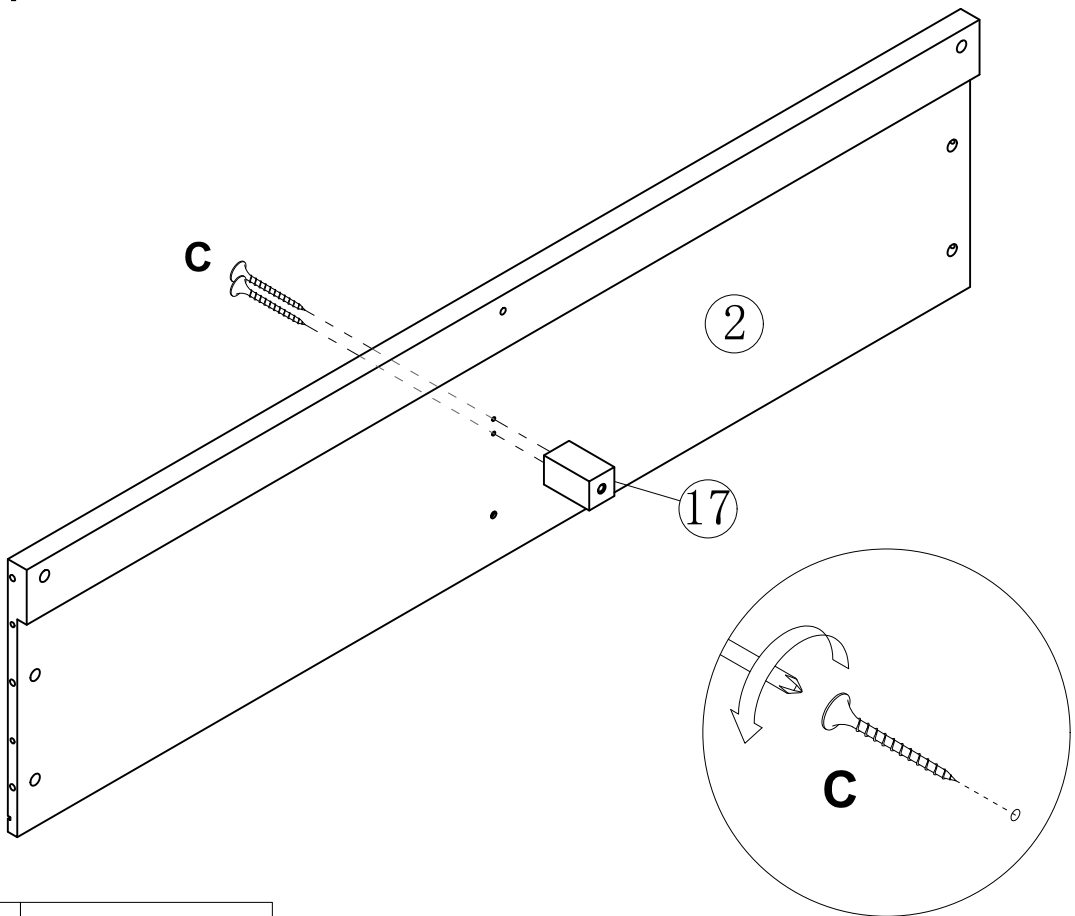


F x 4PCS



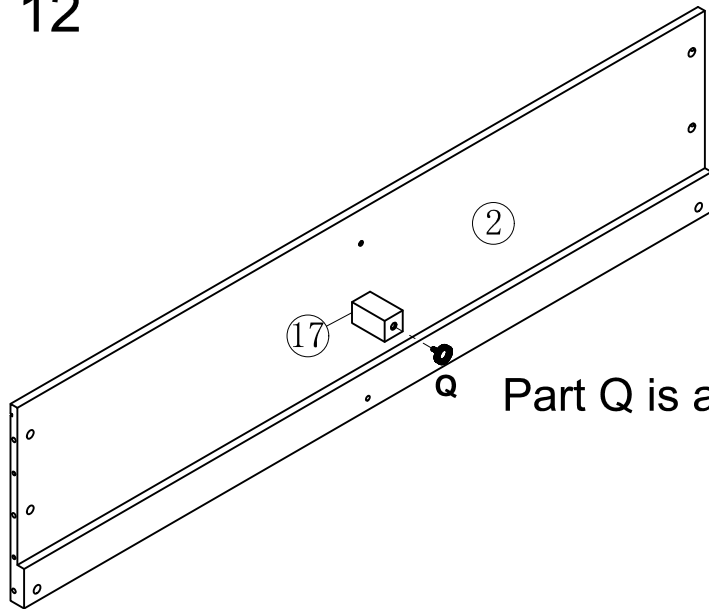
J x 2PCS

Step 11

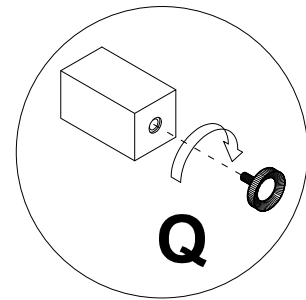


C x 2PCS

Step 12

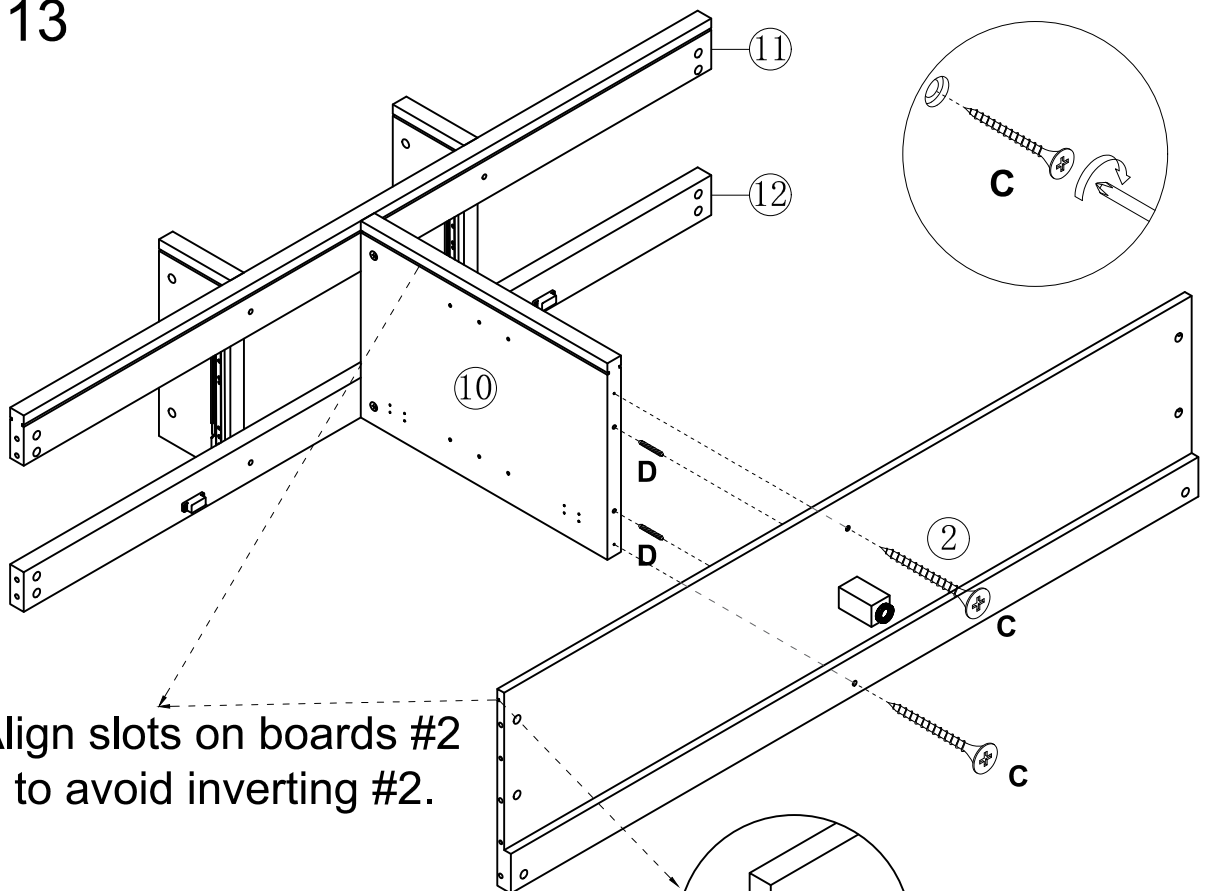


Part Q is adjustable.

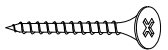


Q x 1PC

Step 13



NOTE: Align slots on boards #2 and #10 to avoid inverting #2.

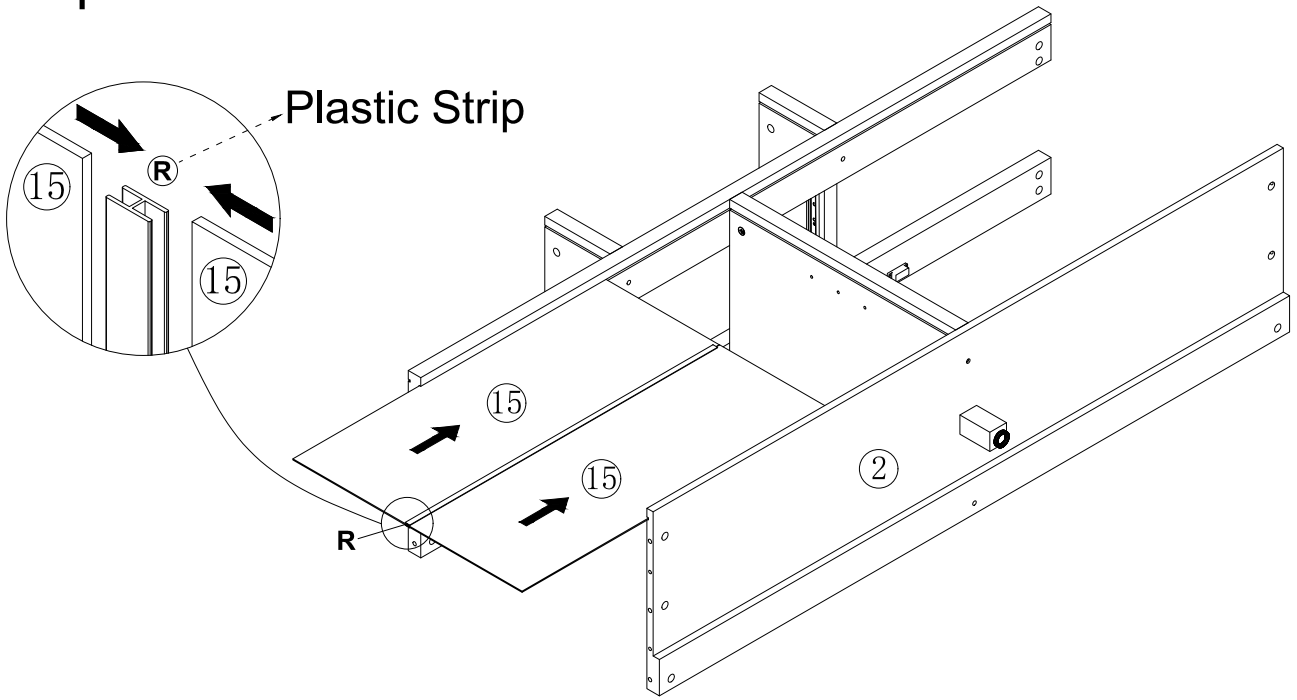


C x 2PCS



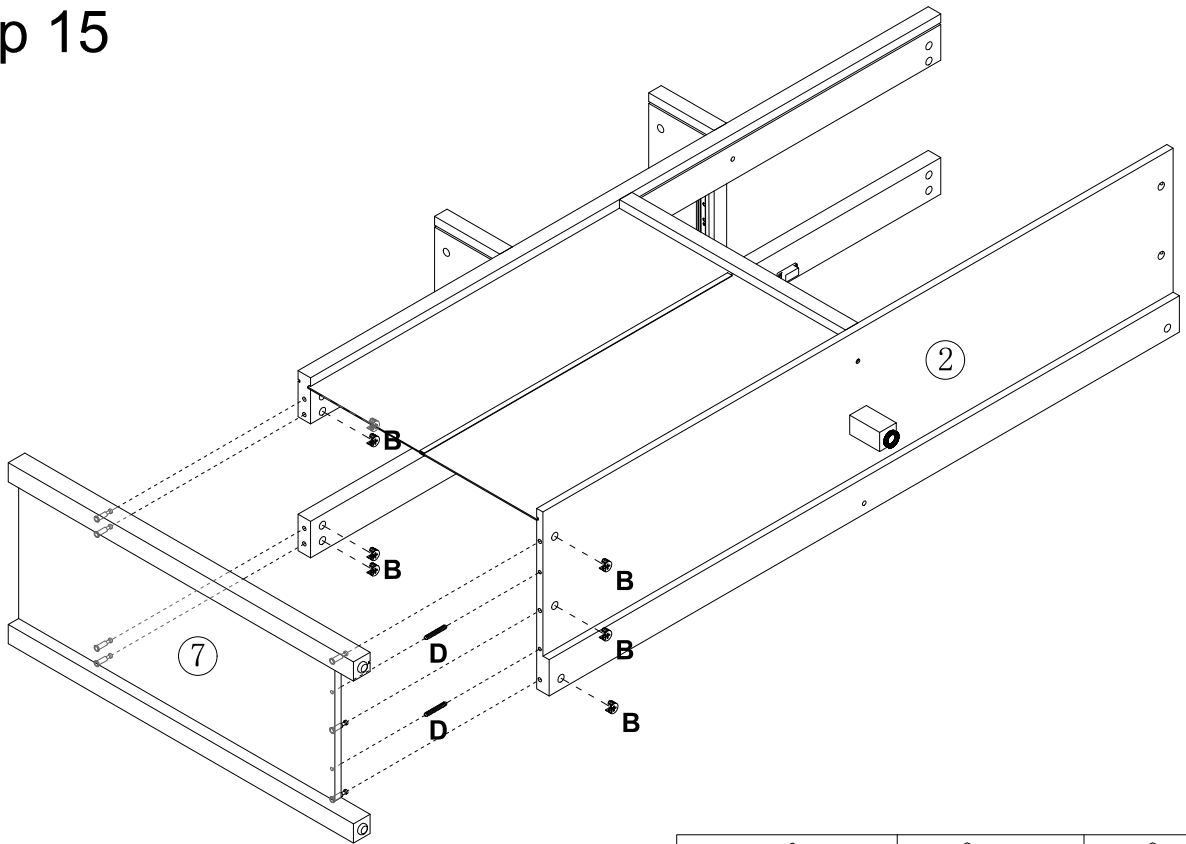
D x 2PCS

Step 14



R x 1PC

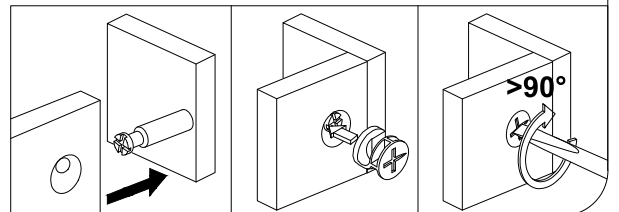
Step 15



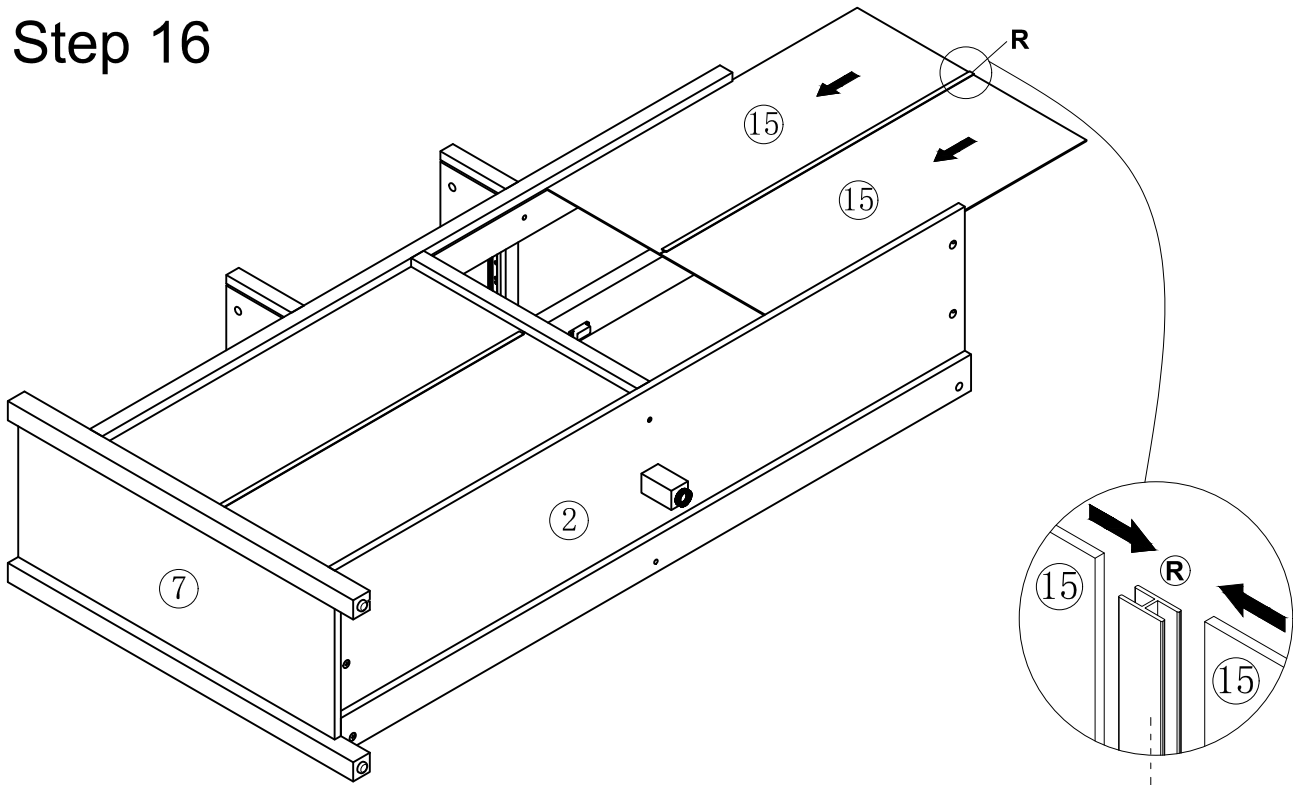
B x 7PCS



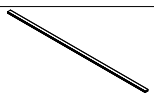
D x 2PCS



Step 16

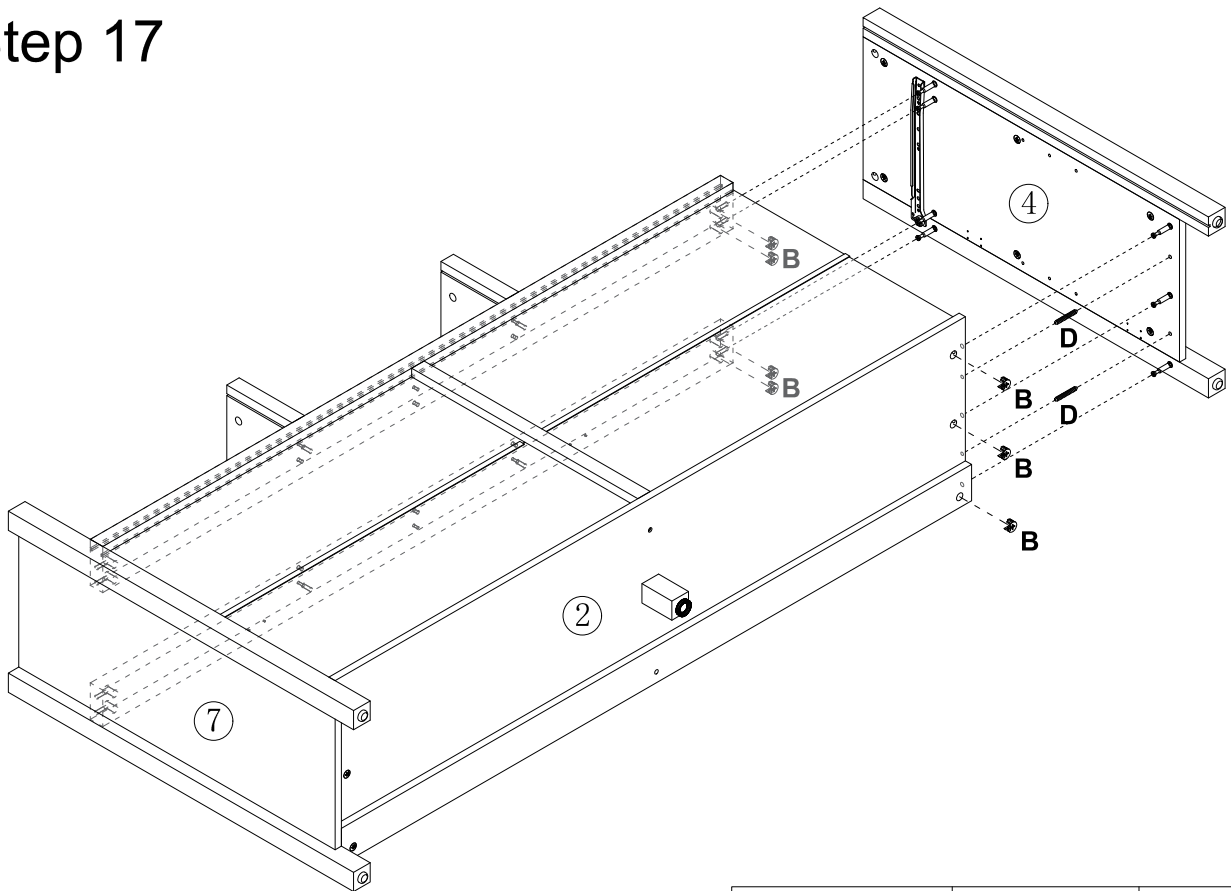


Plastic Strip



R x 1PC

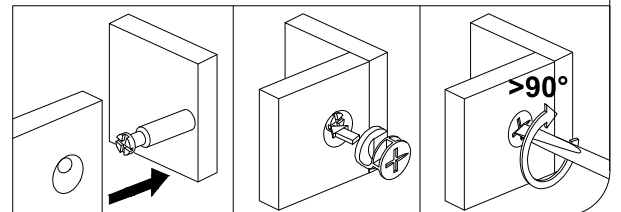
Step 17



B x 7PCS

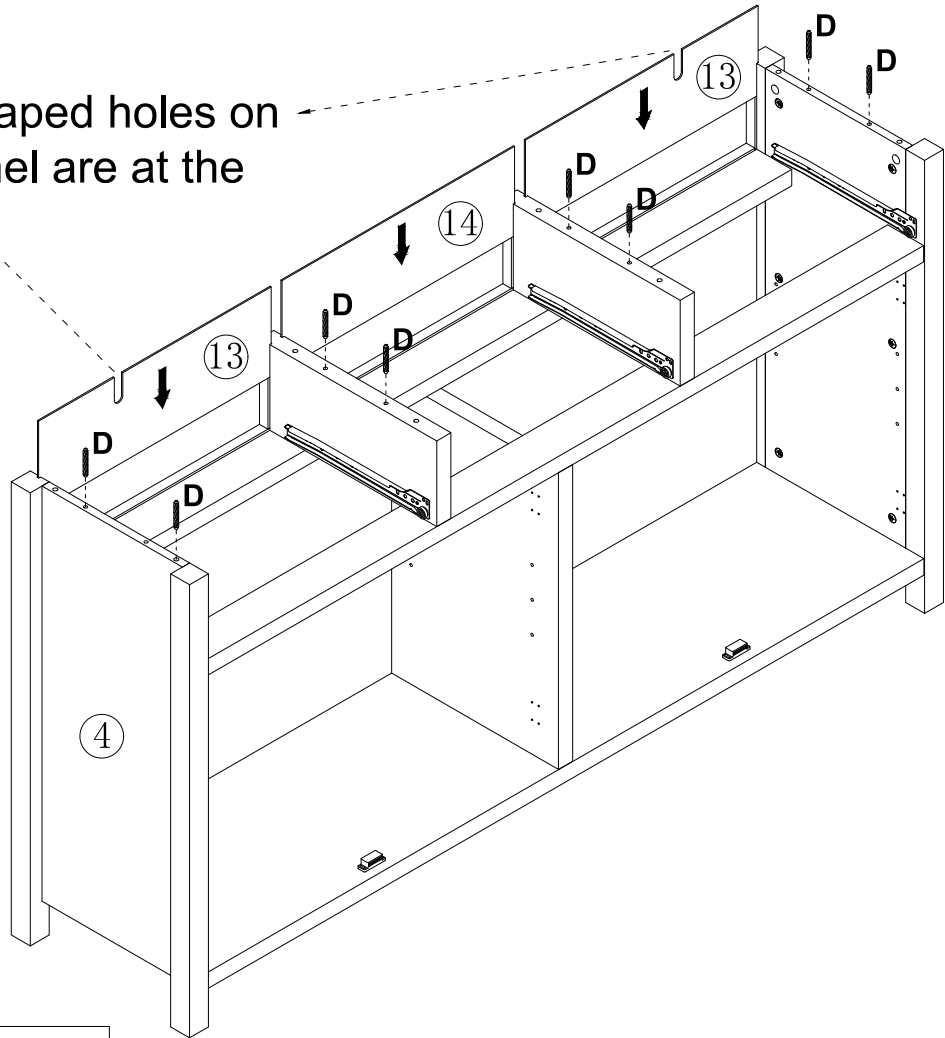


D x 2PCS



Step 18

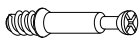
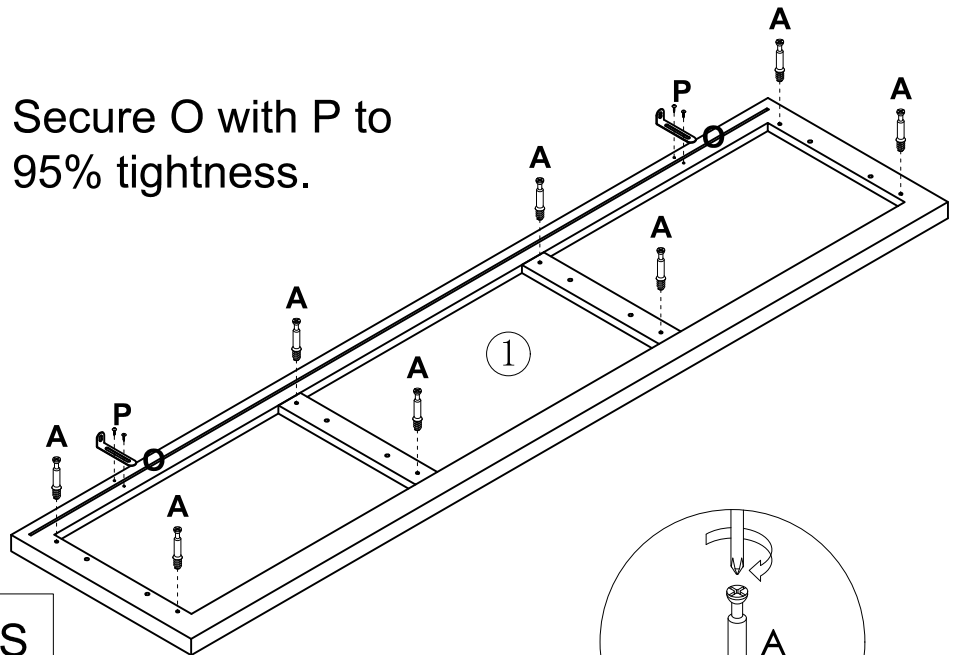
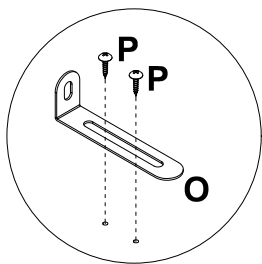
Ensure the U-shaped holes on the #13 back panel are at the top.



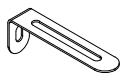
D x 8PCS

Step 19

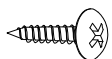
Secure O with P to 95% tightness.



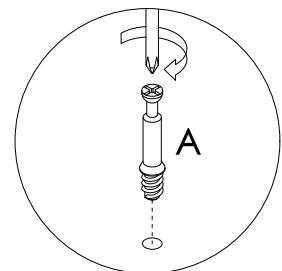
A x 8PCS



O x 2PCS

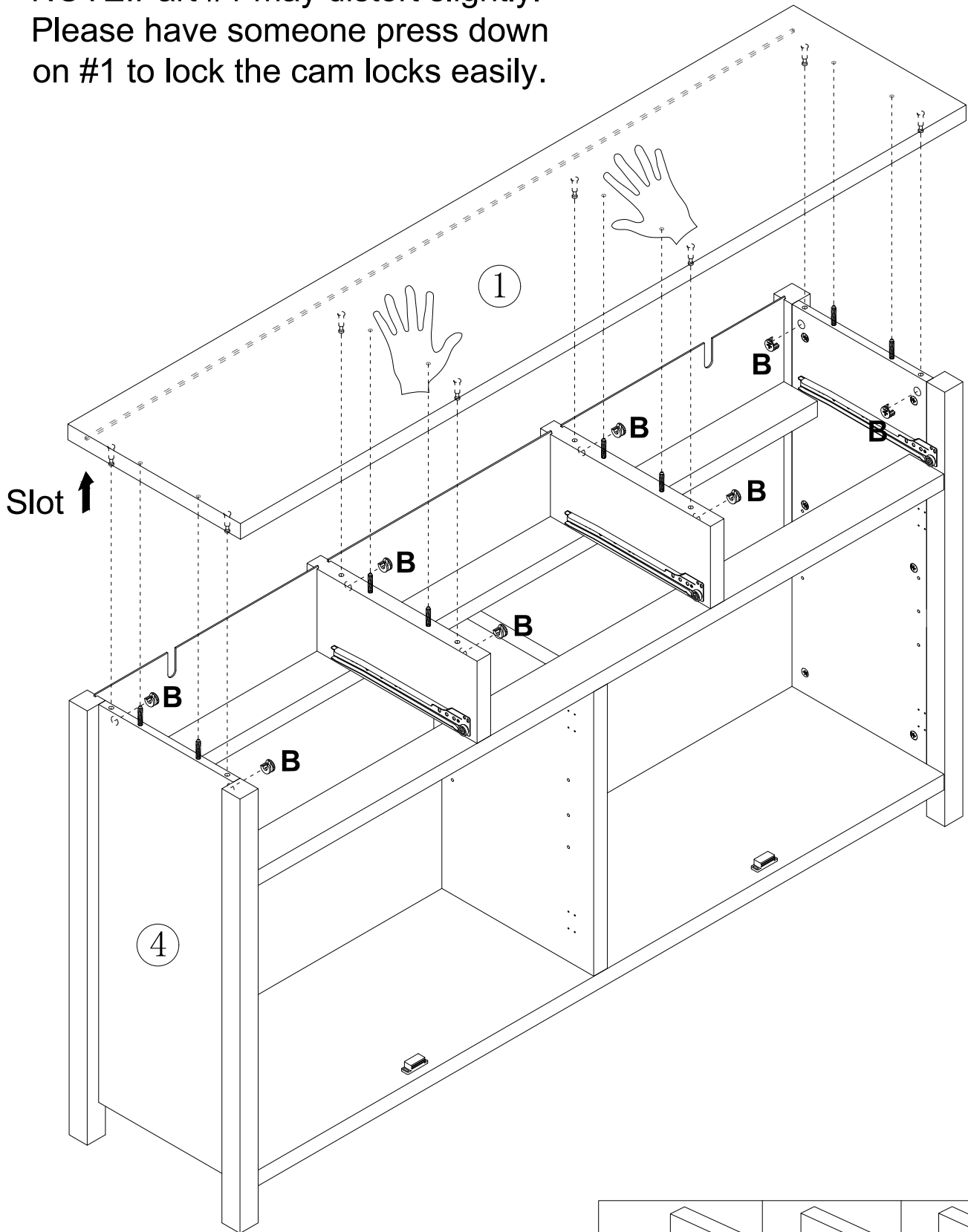


P x 4PCS

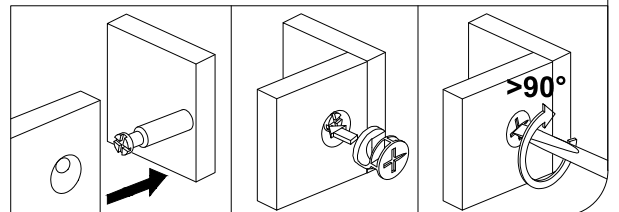


Step 20

NOTE: Part #1 may distort slightly.
Please have someone press down
on #1 to lock the cam locks easily.

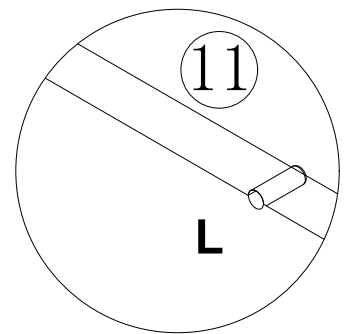
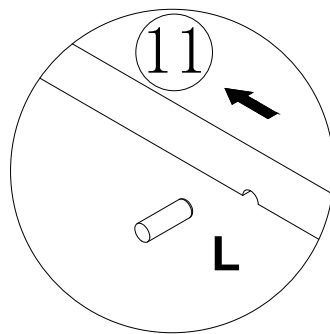
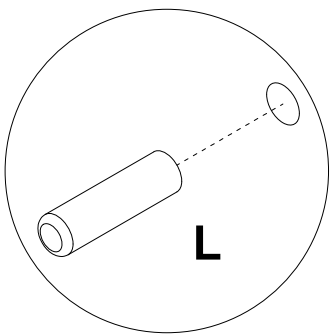
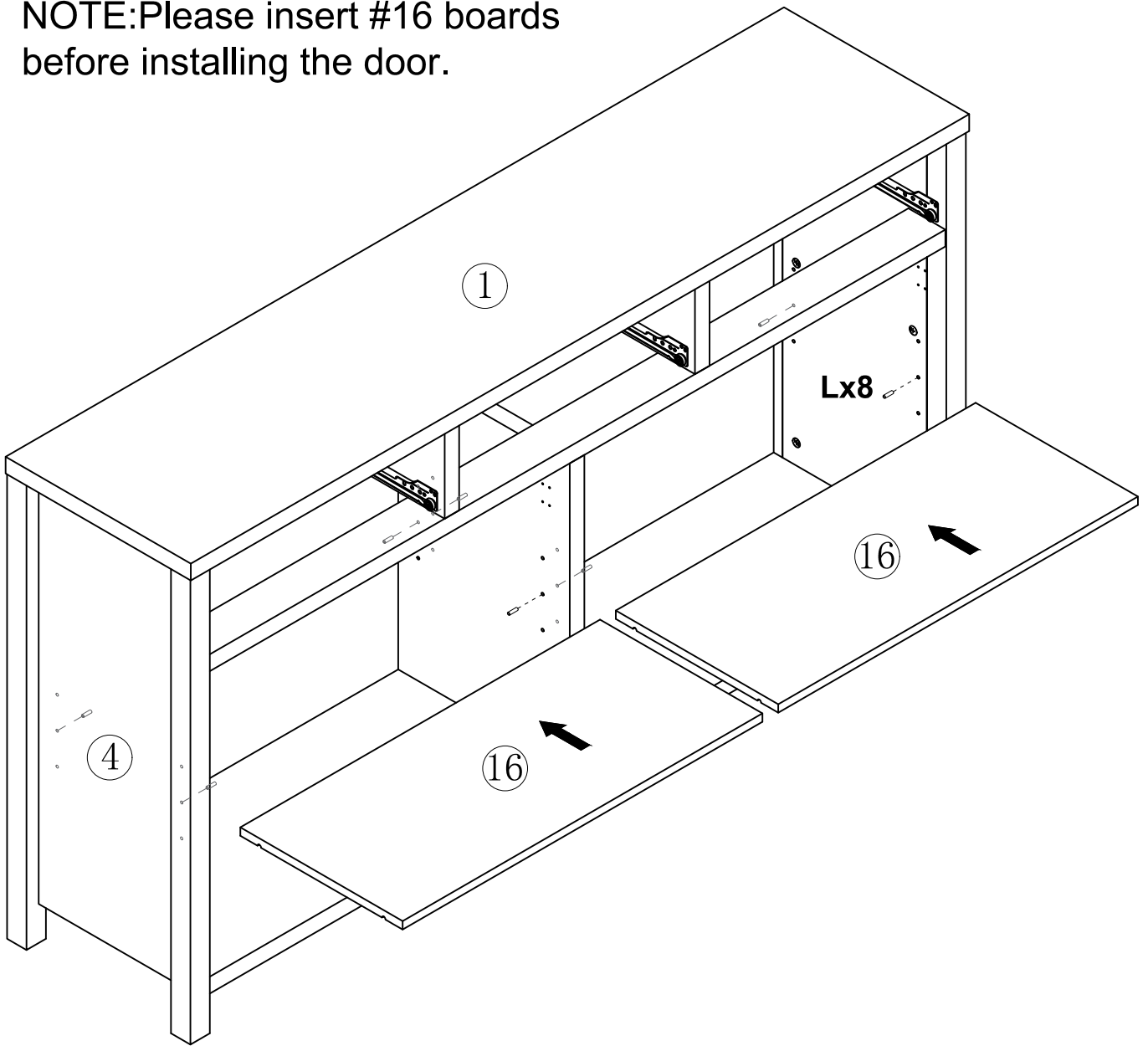


B x 8PCS



Step 21

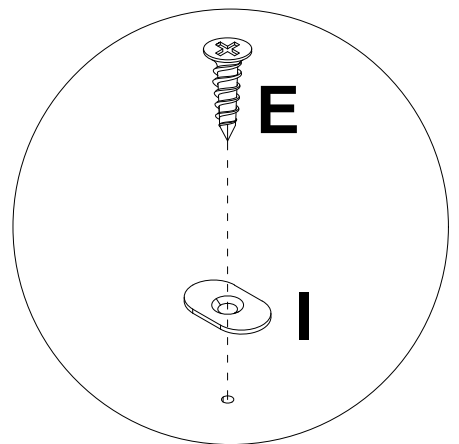
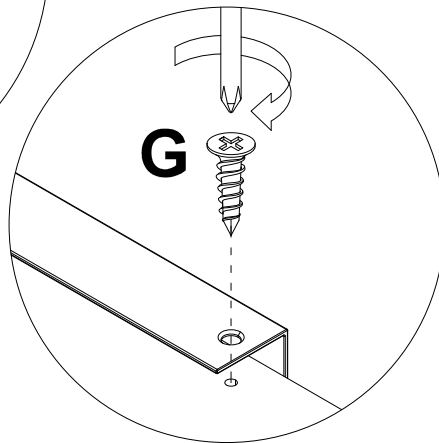
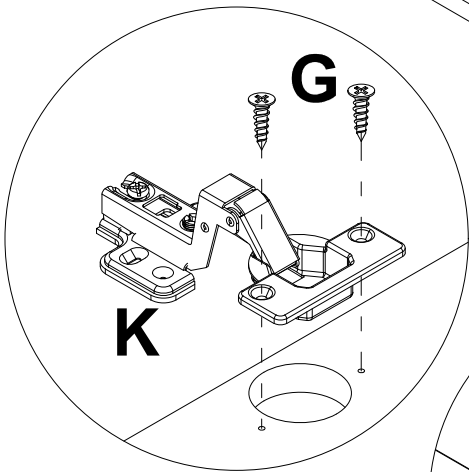
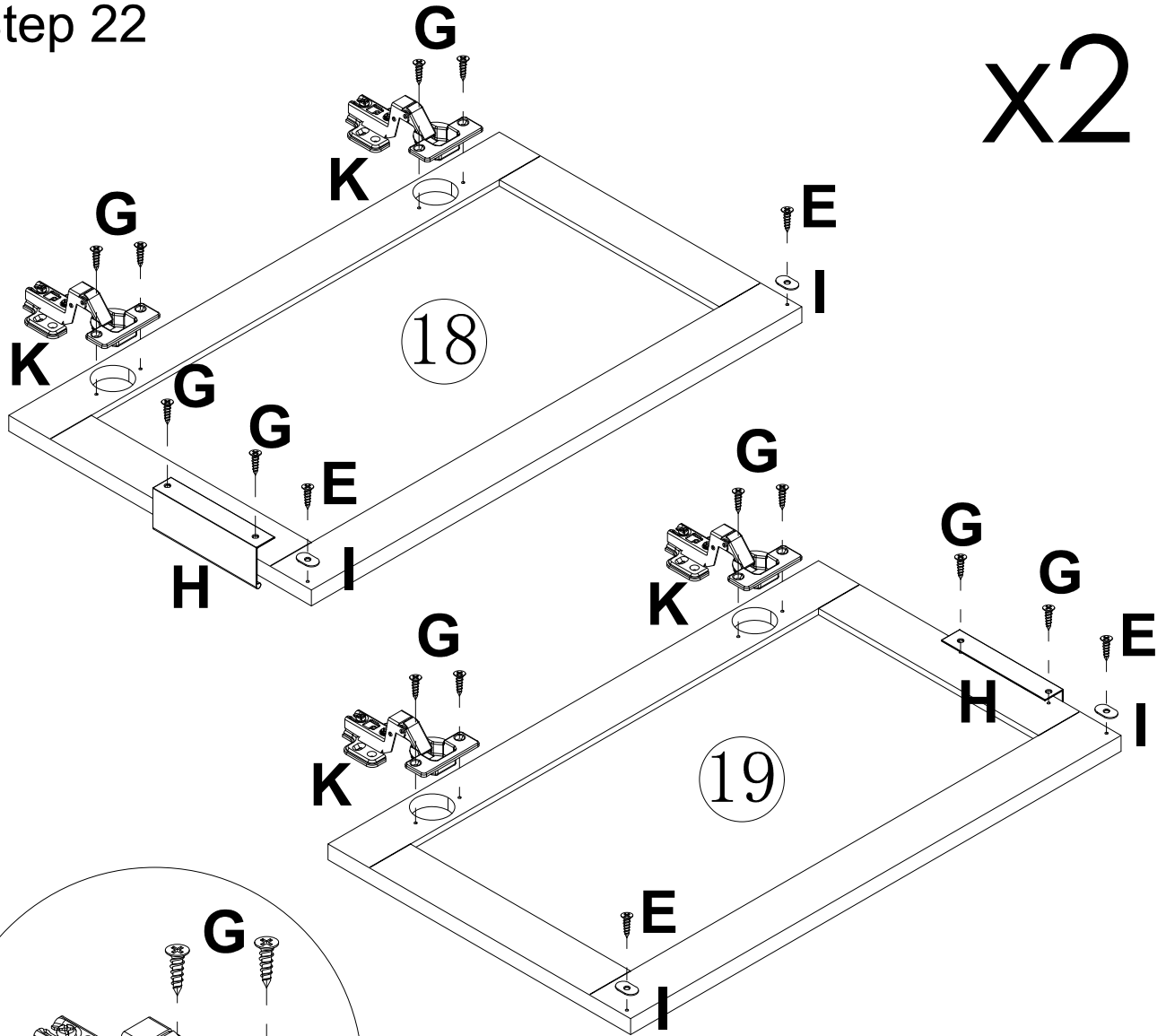
NOTE: Please insert #16 boards before installing the door.



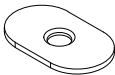
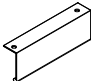
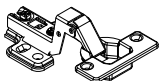


L x 8PCS

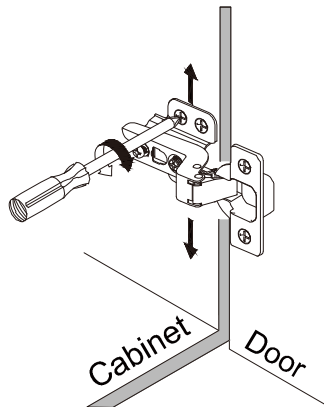
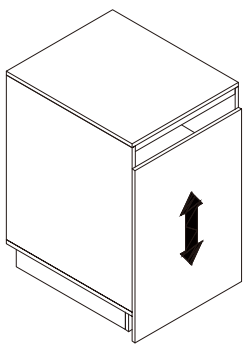
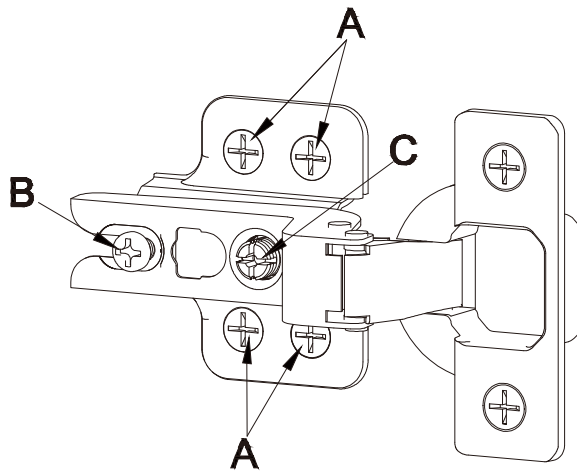
Step 22

x2



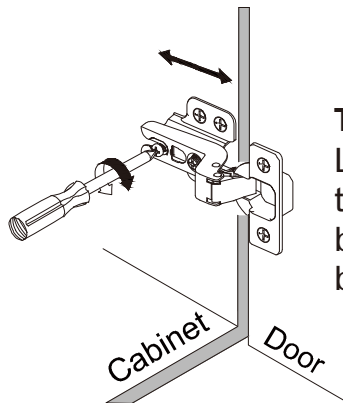
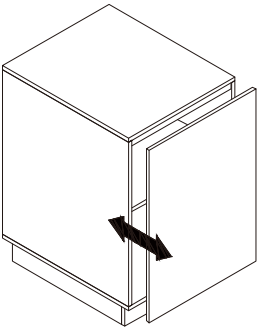
	E x 8PCS		
	G x 24PCS		I x 8PCS
	H x 4PCS		K x 8PCS

Step 23



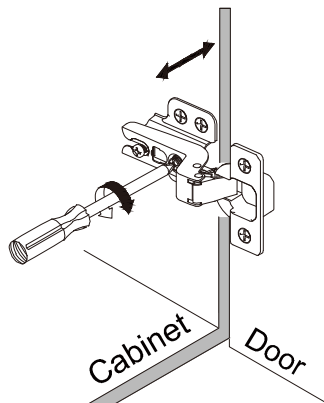
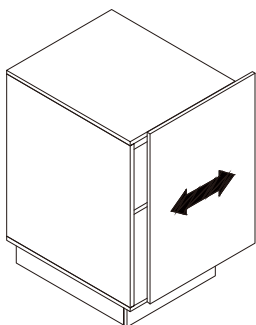
To adjust the vertical height.

Loosen the four screws "A" on both hinges. Two of them are usually in slotted holes which allows you to adjust up or down by a few mm. Then tighten back up.



To adjust depth.

Loosen screw "B" on both hinges and move the door to suit. If the door doesn't move, turn screw "C" on both hinges 1-2 turns and try again. Finally, tighten both screw "B" and reset both screw "C".

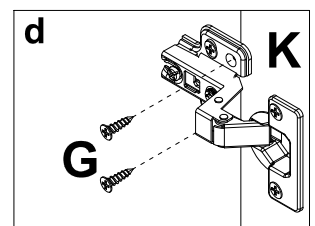
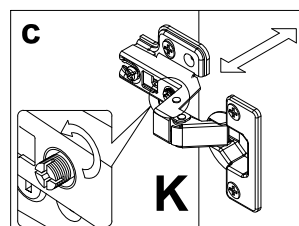
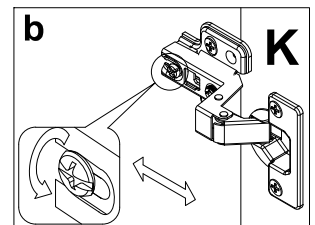
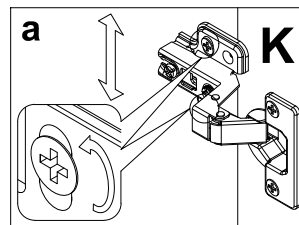
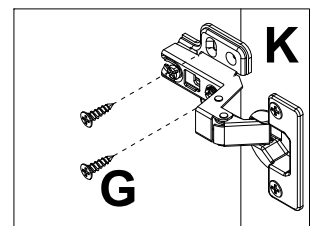
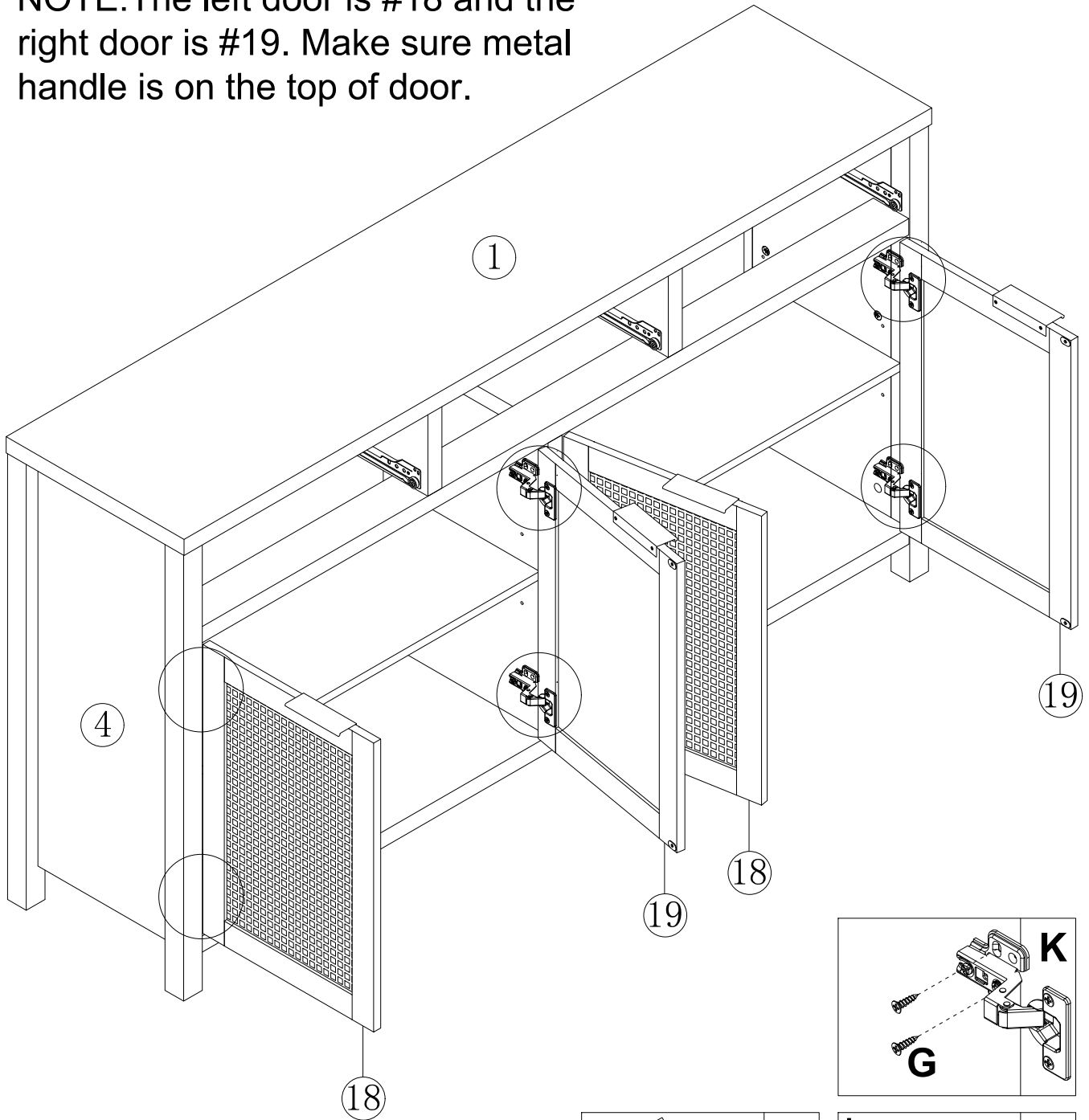


To adjust side ways.

Turn screw "C" clockwise or counterclockwise on both hinges until the door is in the desired position.

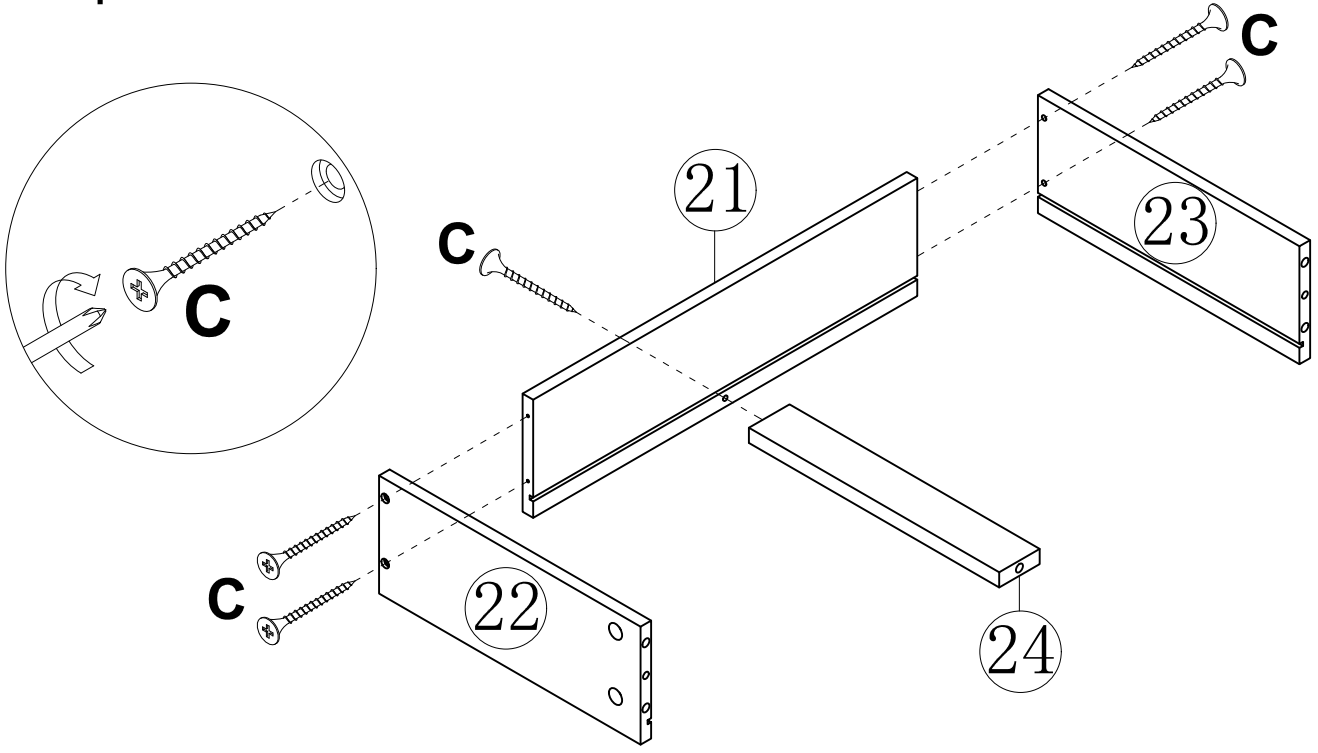
Step 24

NOTE: The left door is #18 and the right door is #19. Make sure metal handle is on the top of door.



G x 32PCS

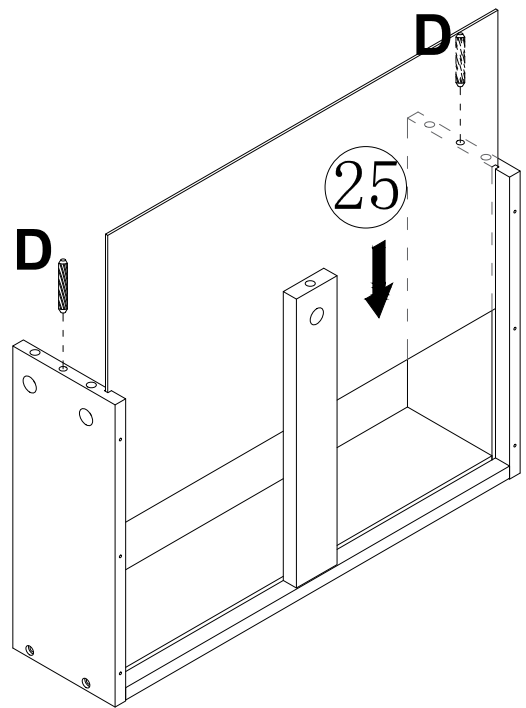
Step 25




 **C x 15PCS**

x3

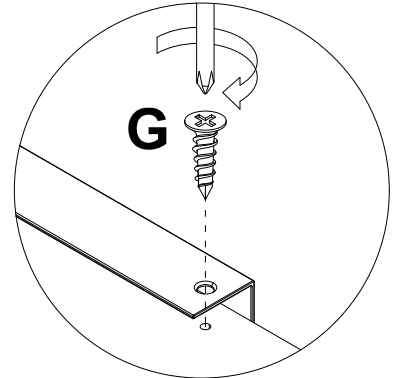
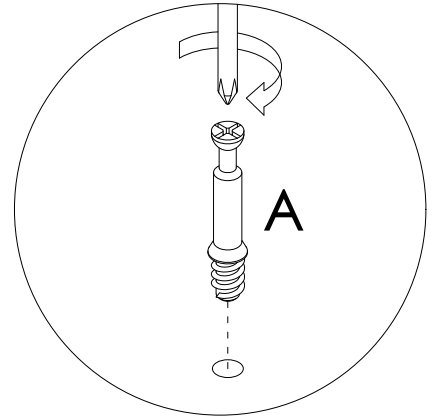
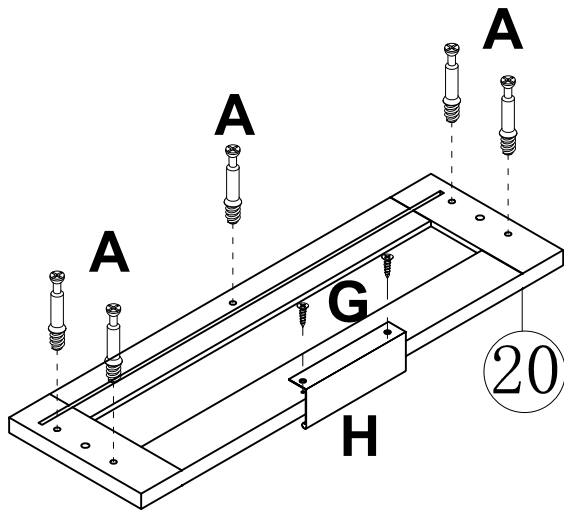
Step 26



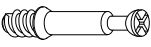

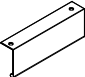
 **D x 6PCS**

x3

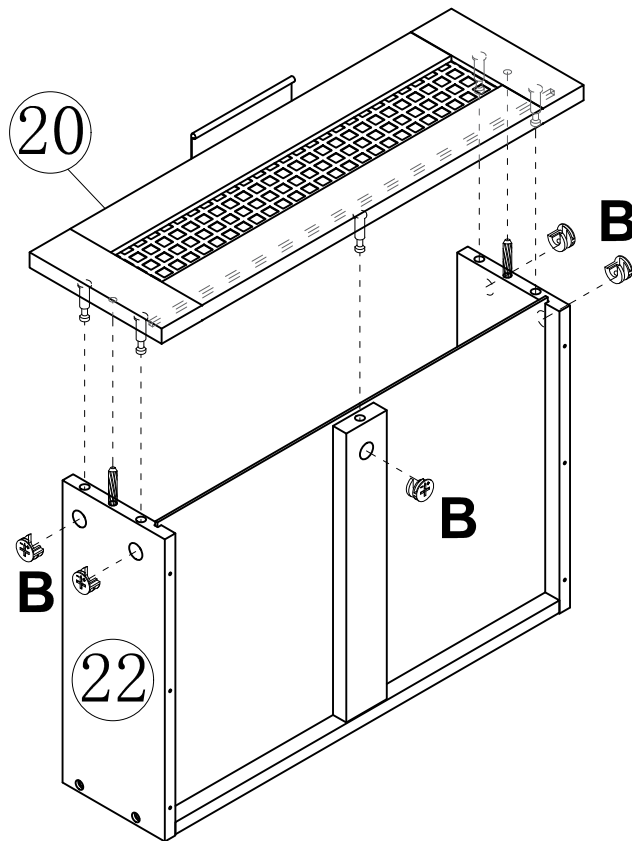
Step 27




x3

	A x 15PCS
	G x 6PCS
	H x 3PCS

Step 28

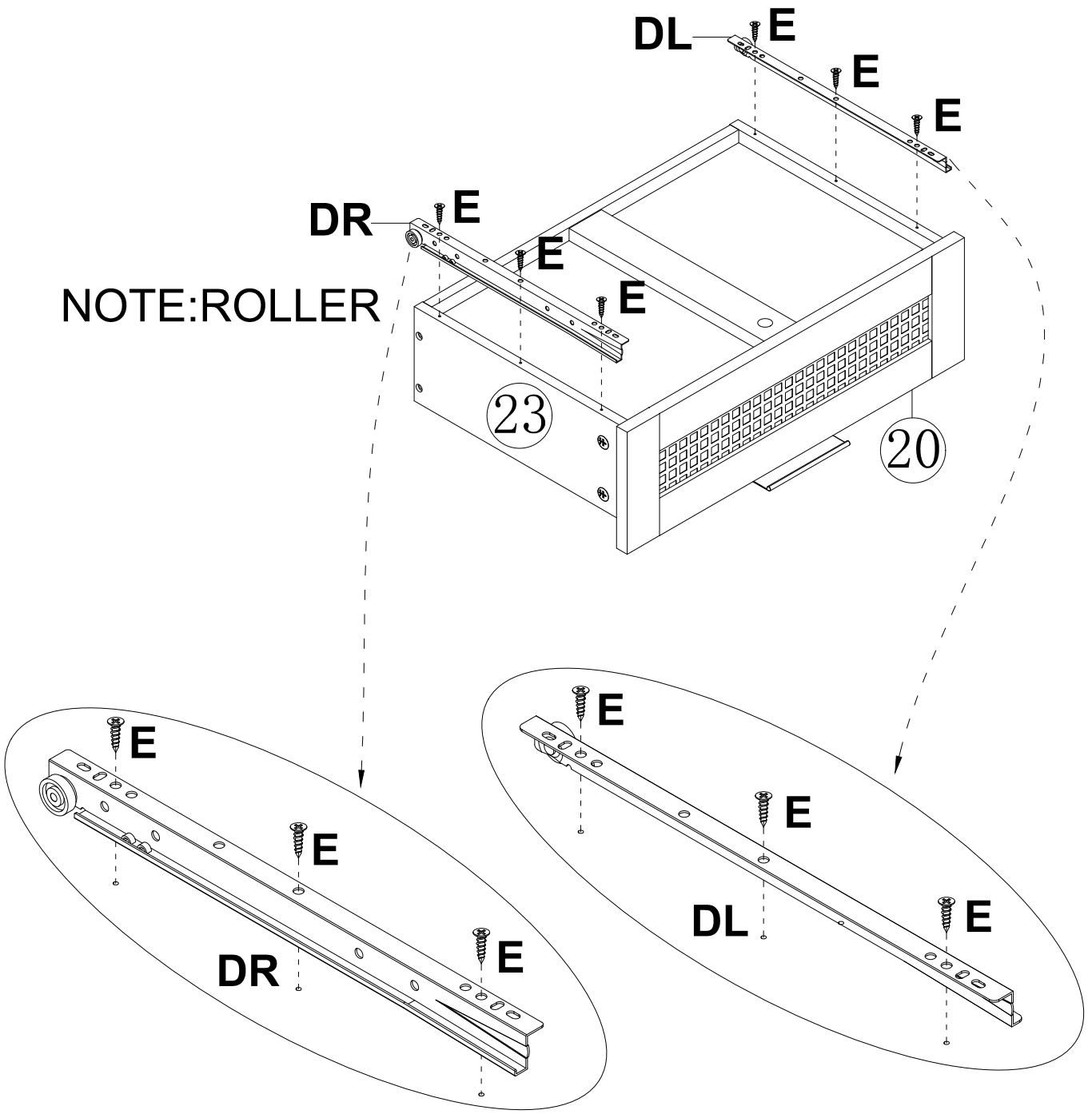



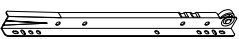
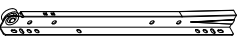
x3

	B x 15PCS
---	------------------

Step 29

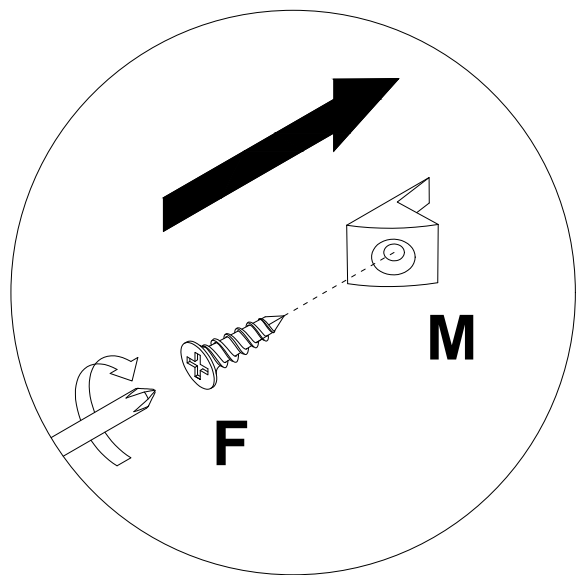
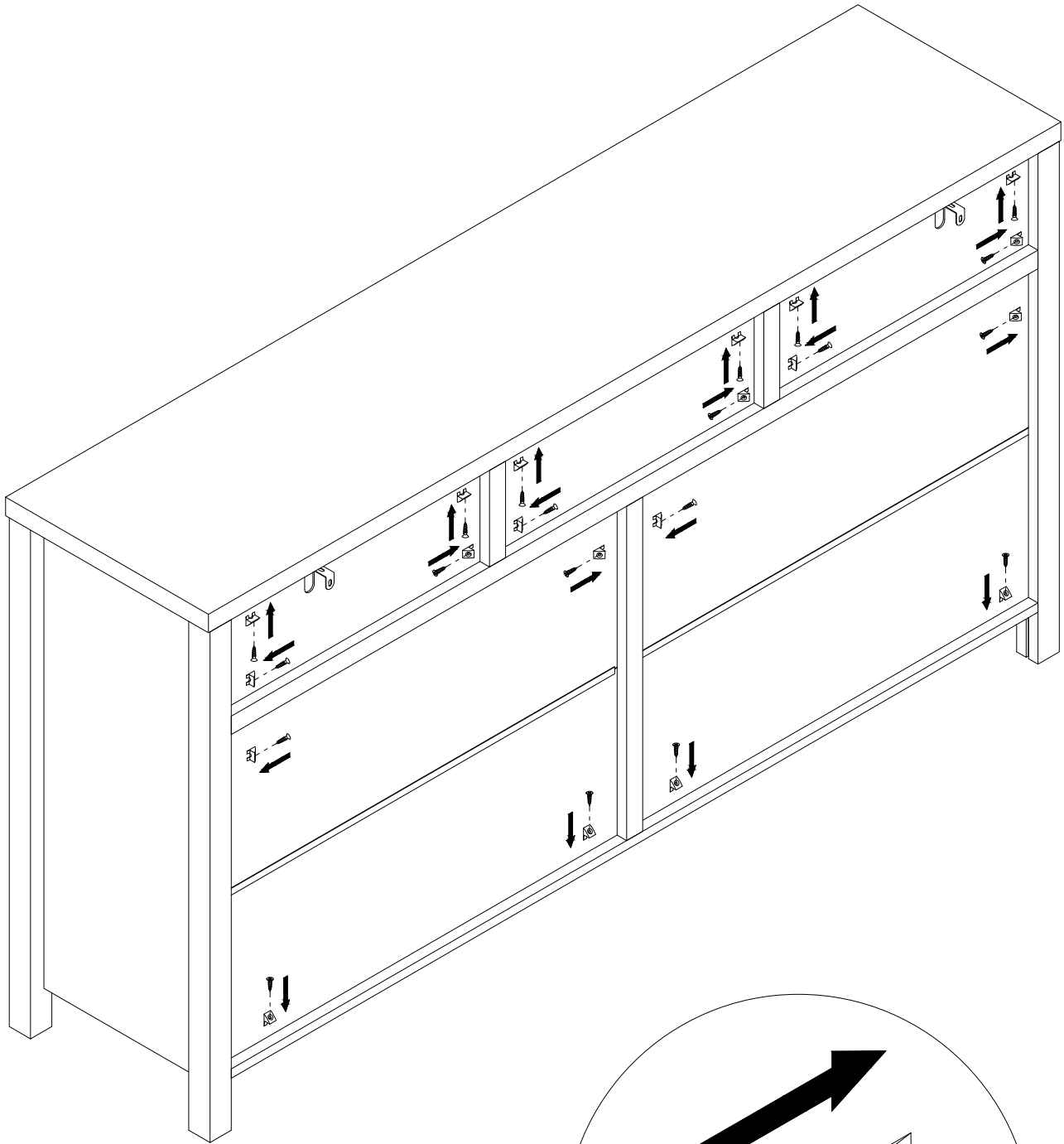
NOTE:ROLLER



	E x 18PCS
	DL x 3PCS
	DR x 3PCS

x3

Step 30

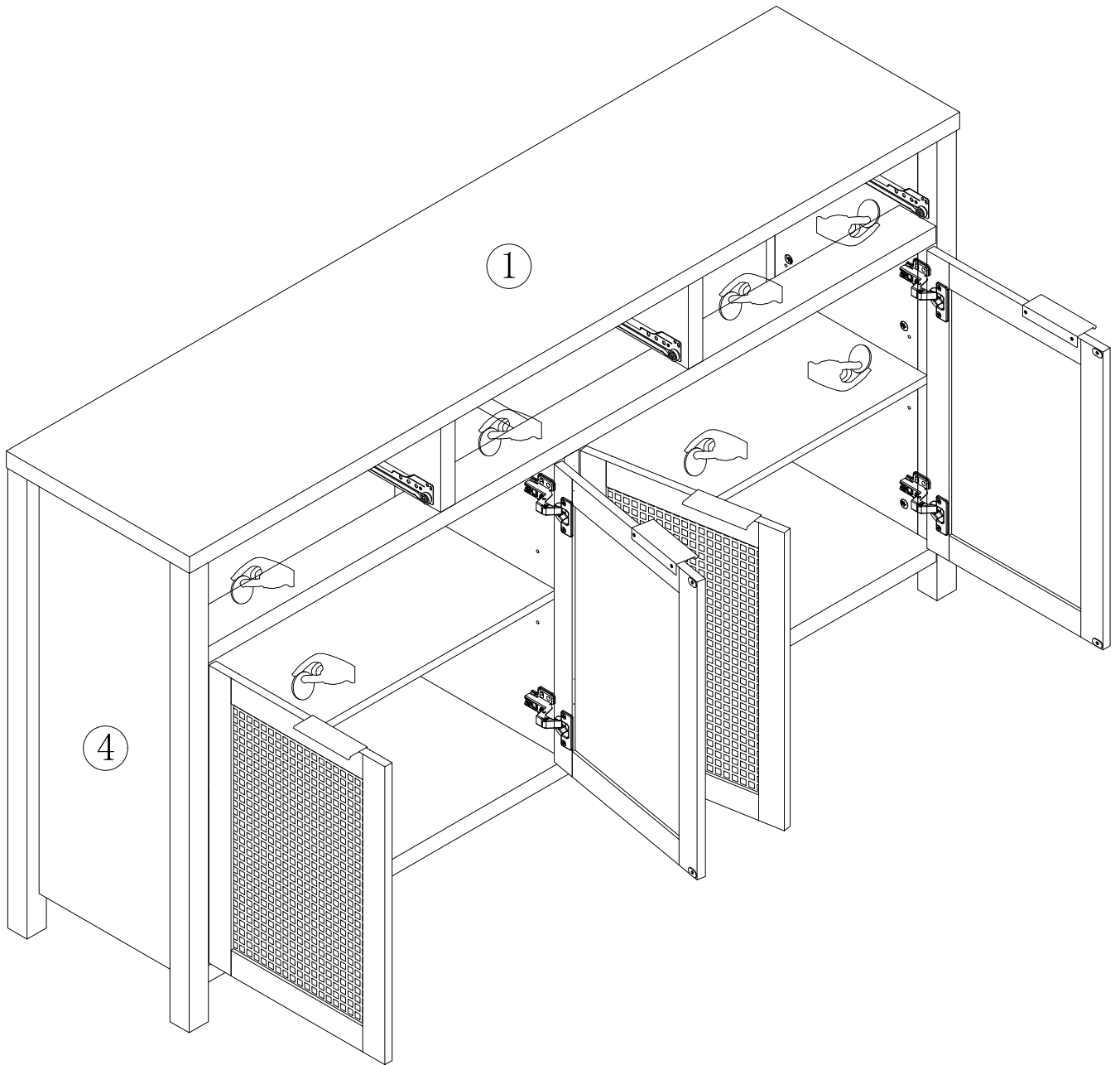
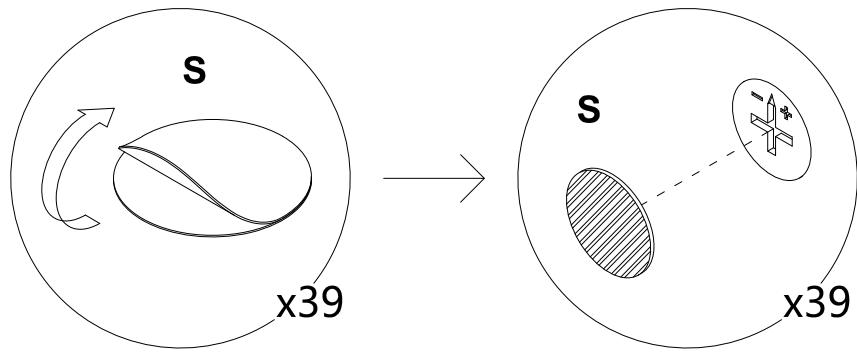


F x 20PCS



M x 20PCS

Step 31

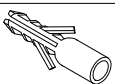
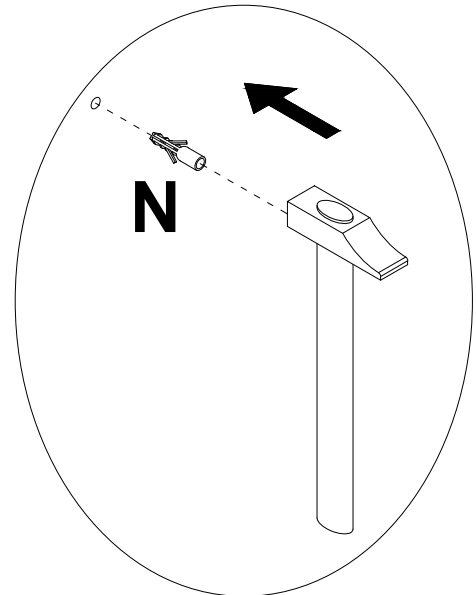
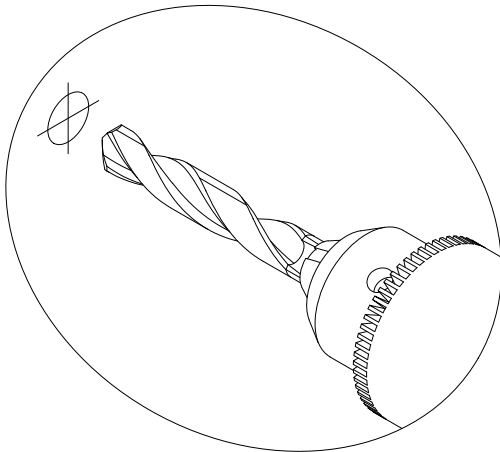


S x 39PCS

Step 32

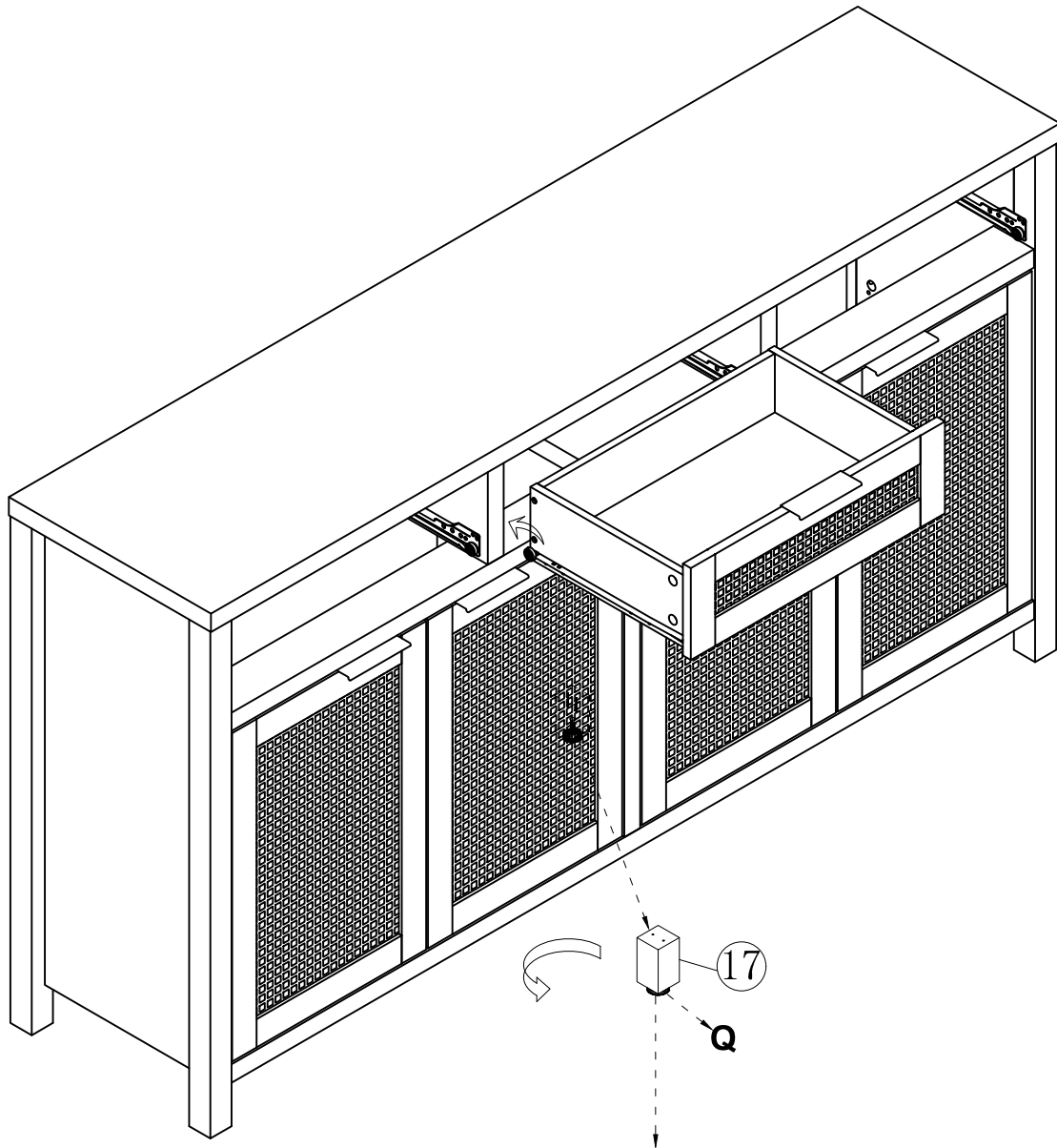
Drill 2 holes on the wall at the required position for anti-falling device installation.

WALL

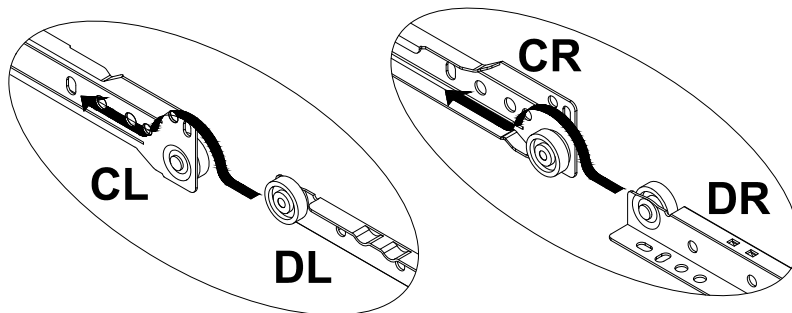


N x 2PCS

Step 33

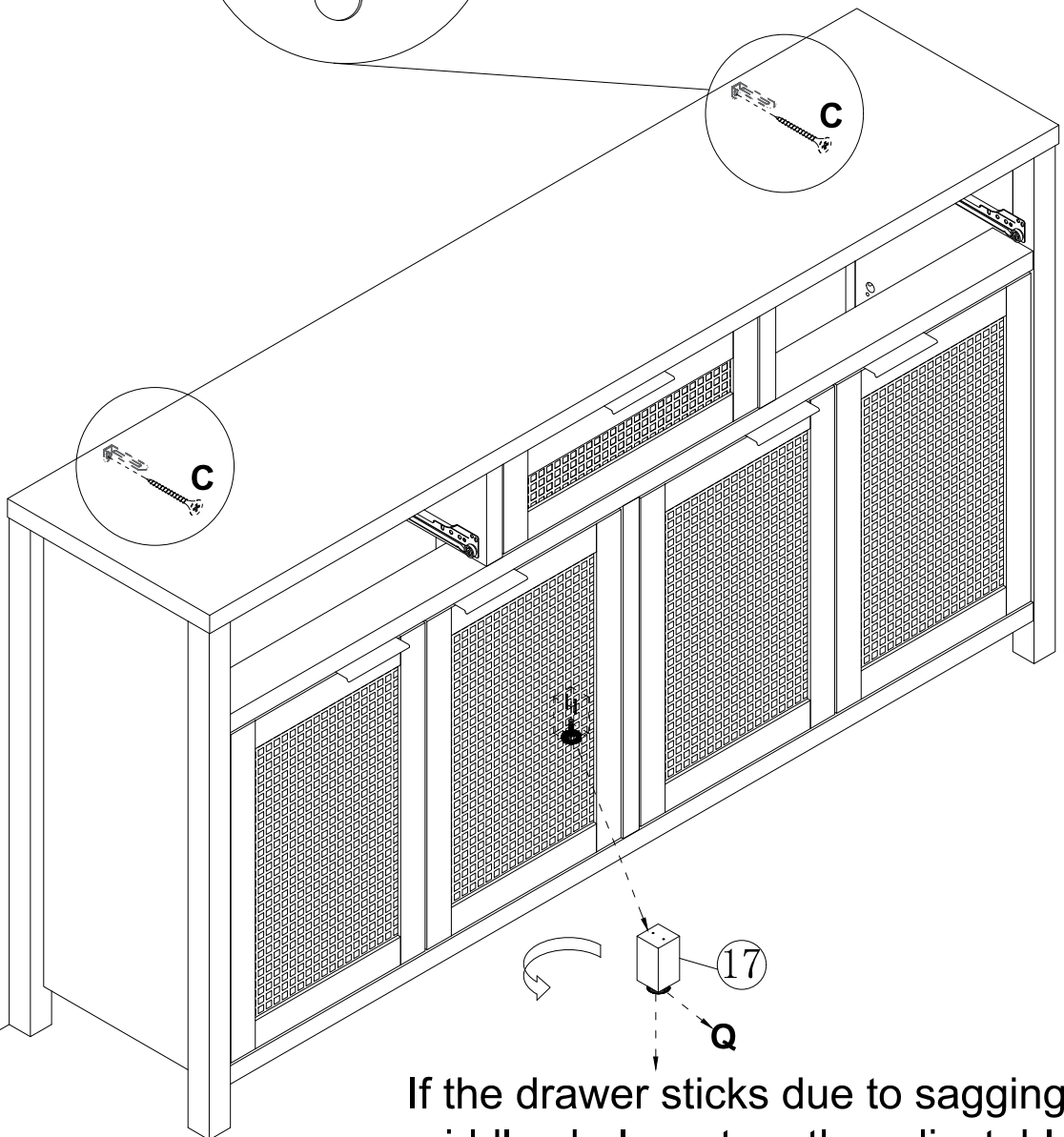
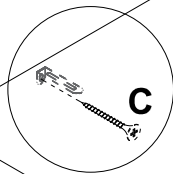
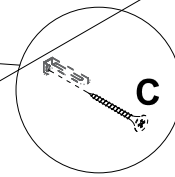
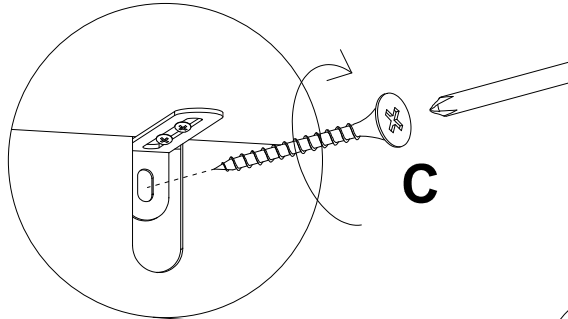


Please put the middle drawer in the cabinet first, if the drawer sticks due to sagging middle shelves, turn the adjustable feet (Q) counterclockwise to level the shelves and restore smooth drawer movement.



Step 34

WALL

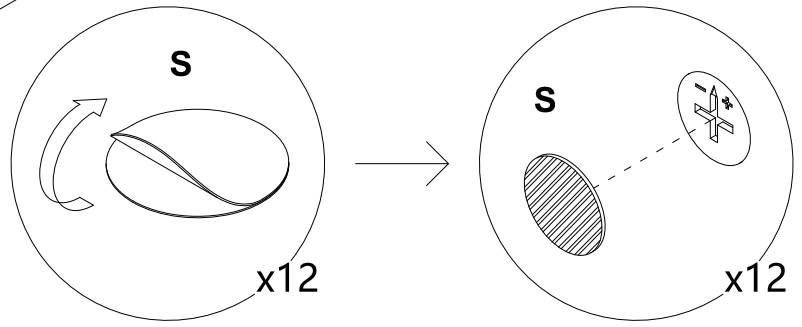


If the drawer sticks due to sagging middle shelves, turn the adjustable feet (Q) counterclockwise to level the shelves and restore smooth drawer movement.

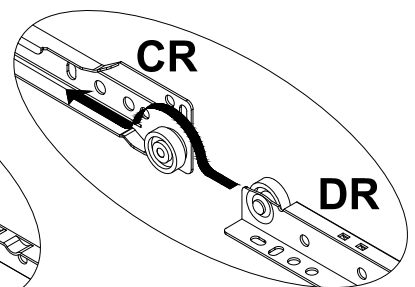
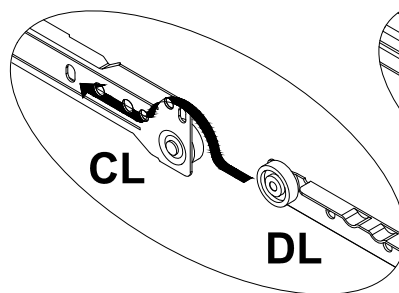
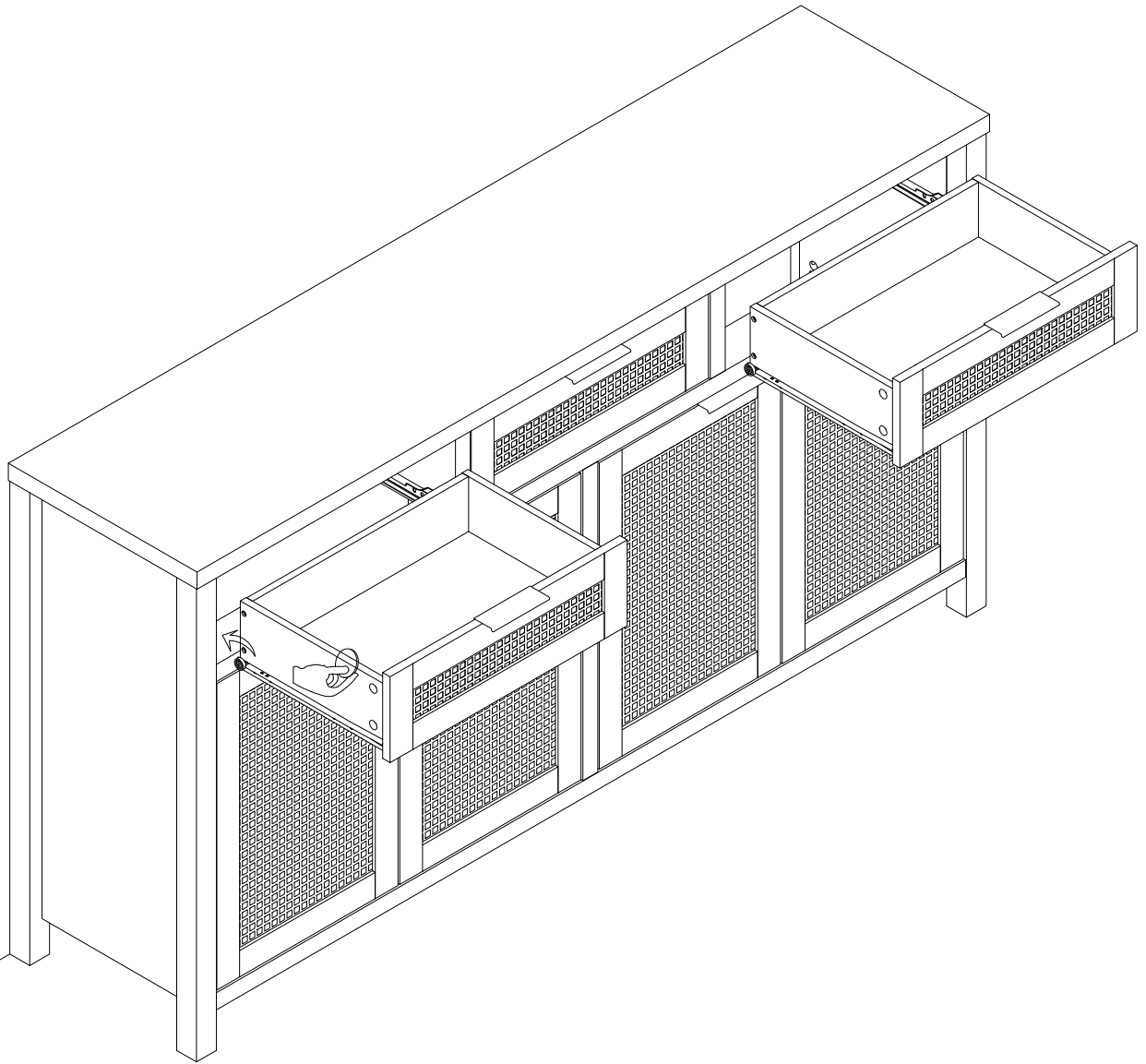


C x 2PCS

Step 35



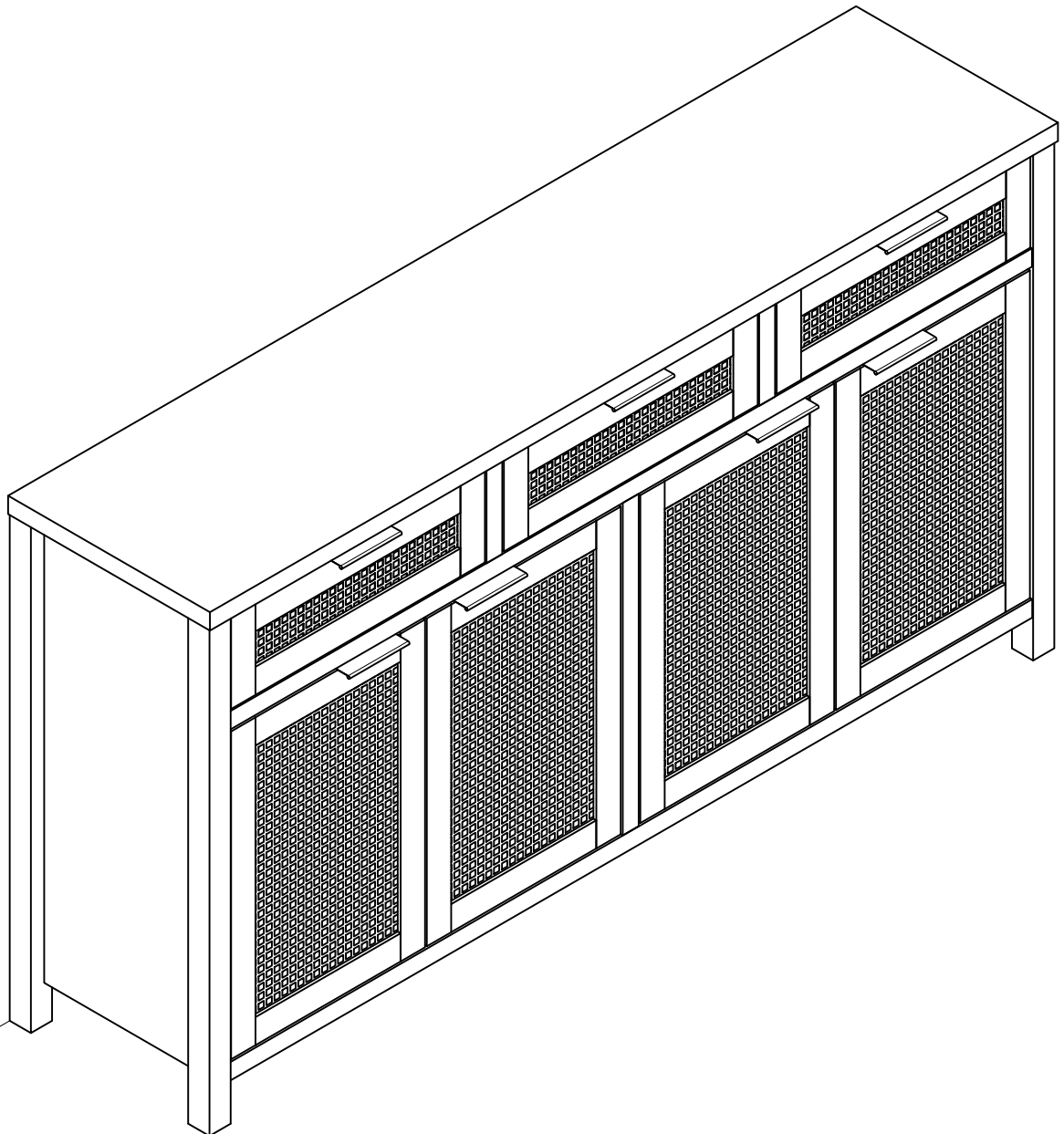
WALL



S x 12PCS

Step 36

WALL





WARNING



Children have died from furniture tipover. To reduce the risk of furniture tipover:

- **ALWAYS** install Anti-tip device provided.
- **NEVER** put a TV on this product.
- **NEVER** allow children to stand, climb or hang on drawers, doors, or shelves.
- **NEVER** open more than one drawer at a time.
- Place heaviest items in the lowest drawers.

