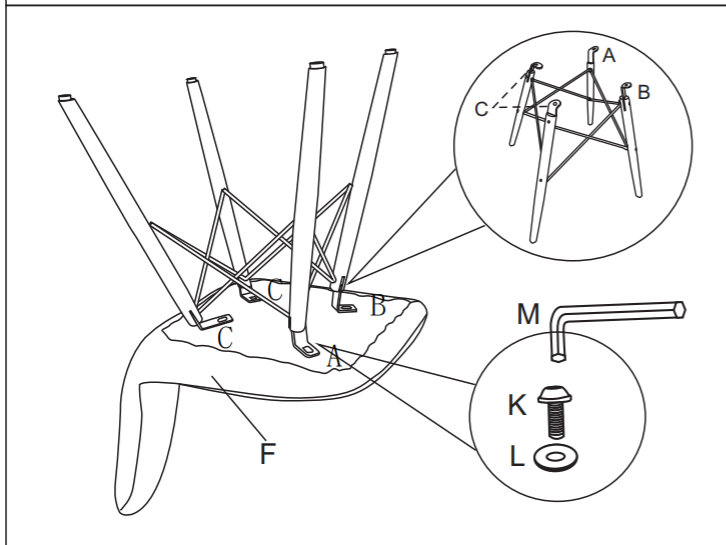
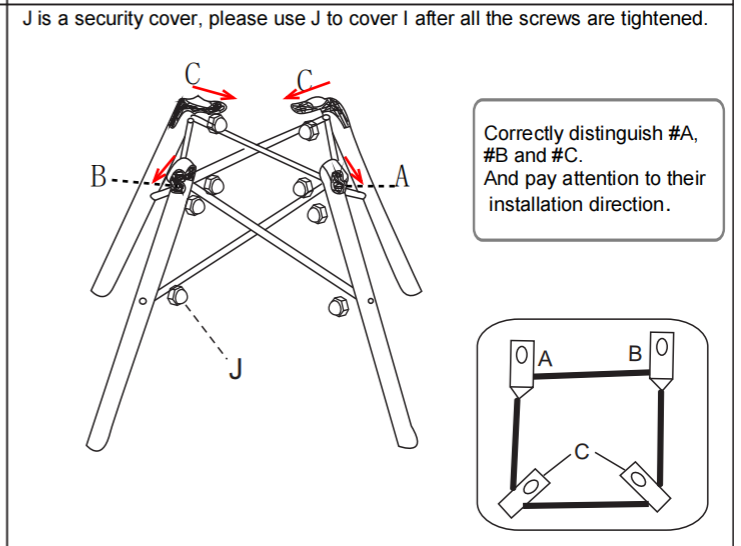
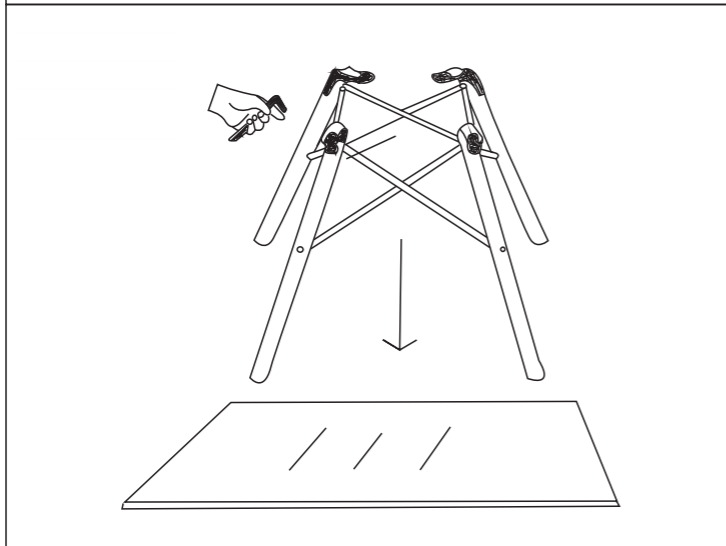
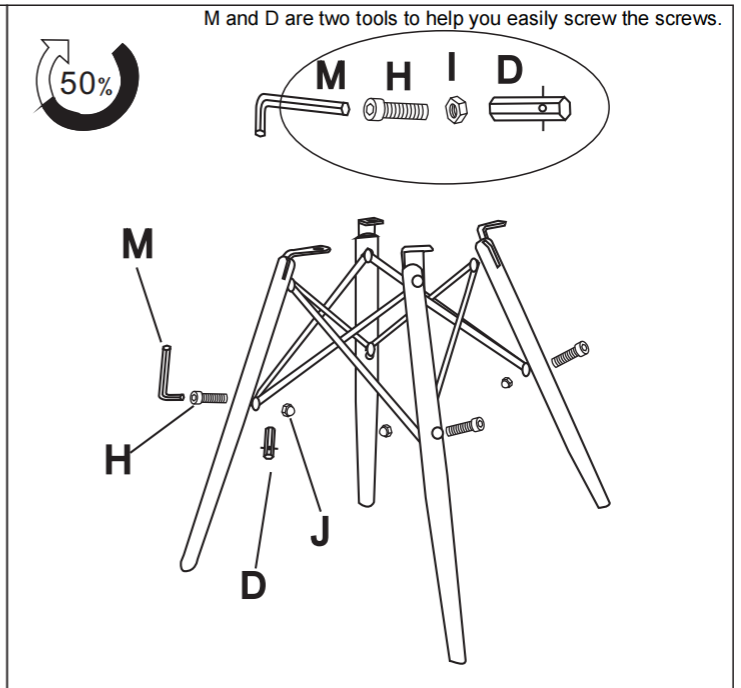
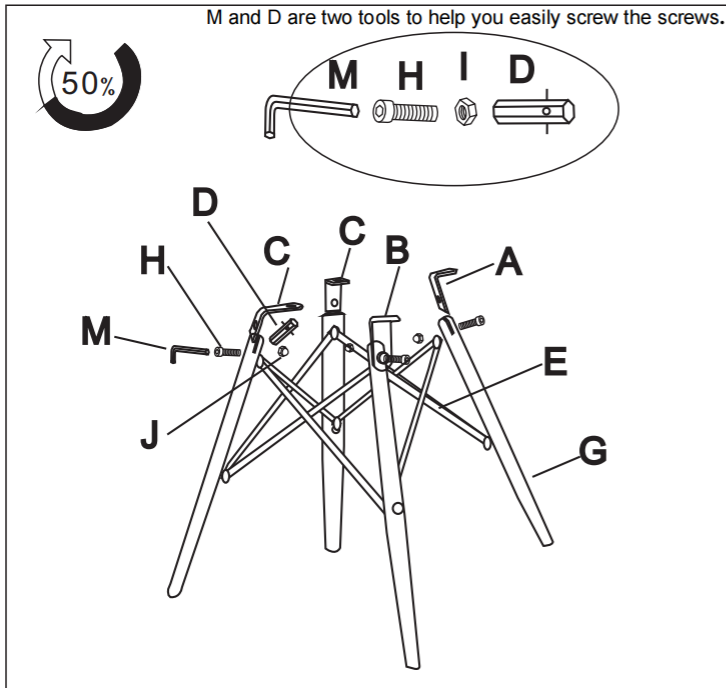


# Attention : Please do not tighten the screws until all the screws are well in position !



A	1PC	D	1PC	G	4PCS	J	8PCS	M	1PC
B	1PC	E	1PC	H	8PCS 6*35mm	K	4PCS 6*13mm		
C	2PCS	F	1PC	I	8PCS	L	4PCS		

First tighten the screw to 50%, after all the holes are aligned, tighten the screw to 100%