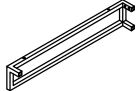

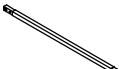
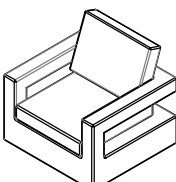
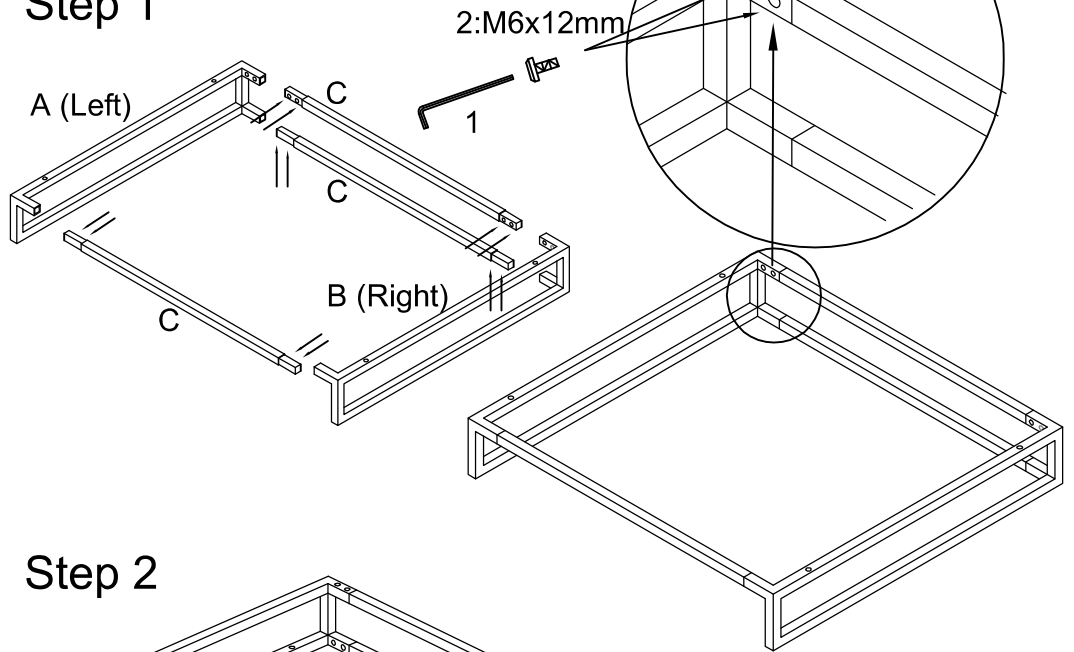


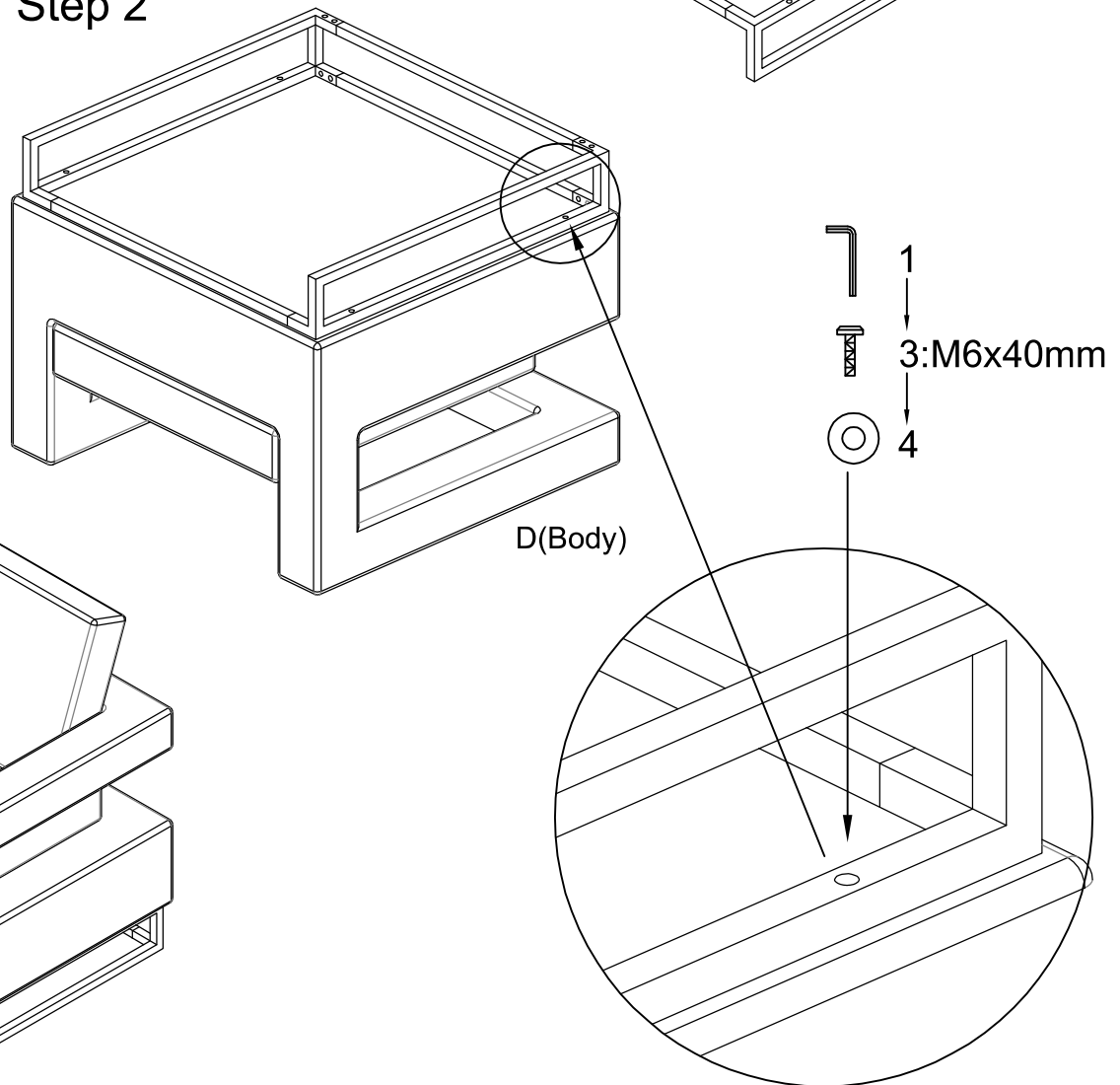
ASSEMBLY INSTRUCTIONS





NO.	PART LIST	QTY
A	 Chair Base (Left)	1pc
B	 Chair Base (Right)	1pc
C	 Chair Base	3pcs
D	 Chair Body	1pc

Step 1



Step 2



NO.	HARDWARE LIST	QTY
1	 Allen Key M6	1pc
2	 Bolt M6x12mm	12pcs
3	 Bolt M6x40mm	4pcs
4	 Flat Washer	4pcs

