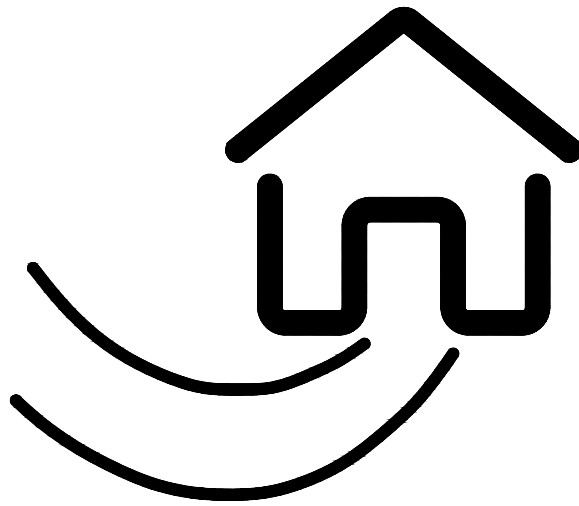


# HAPPINESS HAPPINESS INSTALLATION

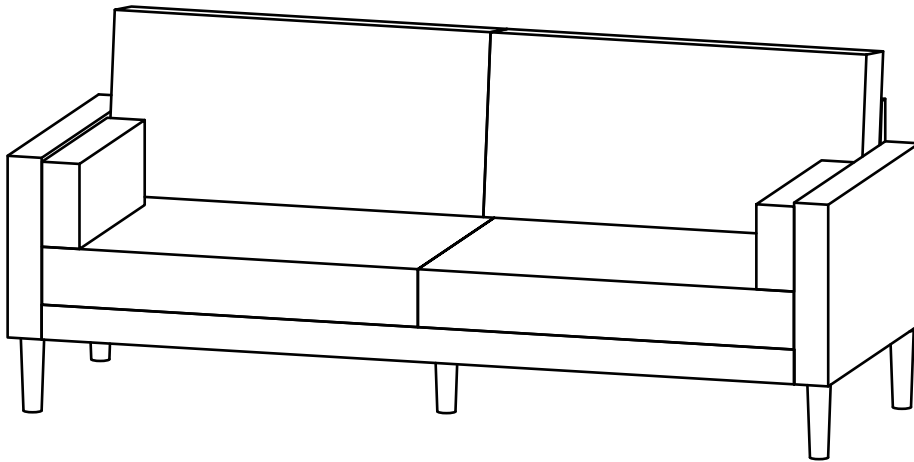


## CAUTION

Parts are placed at the bottom of the product

- If you have any questions with the product, please contact us by:
- **Email: [customerservice@zoy-living.com](mailto:customerservice@zoy-living.com)**  
(we will reply to you within 24 hours)

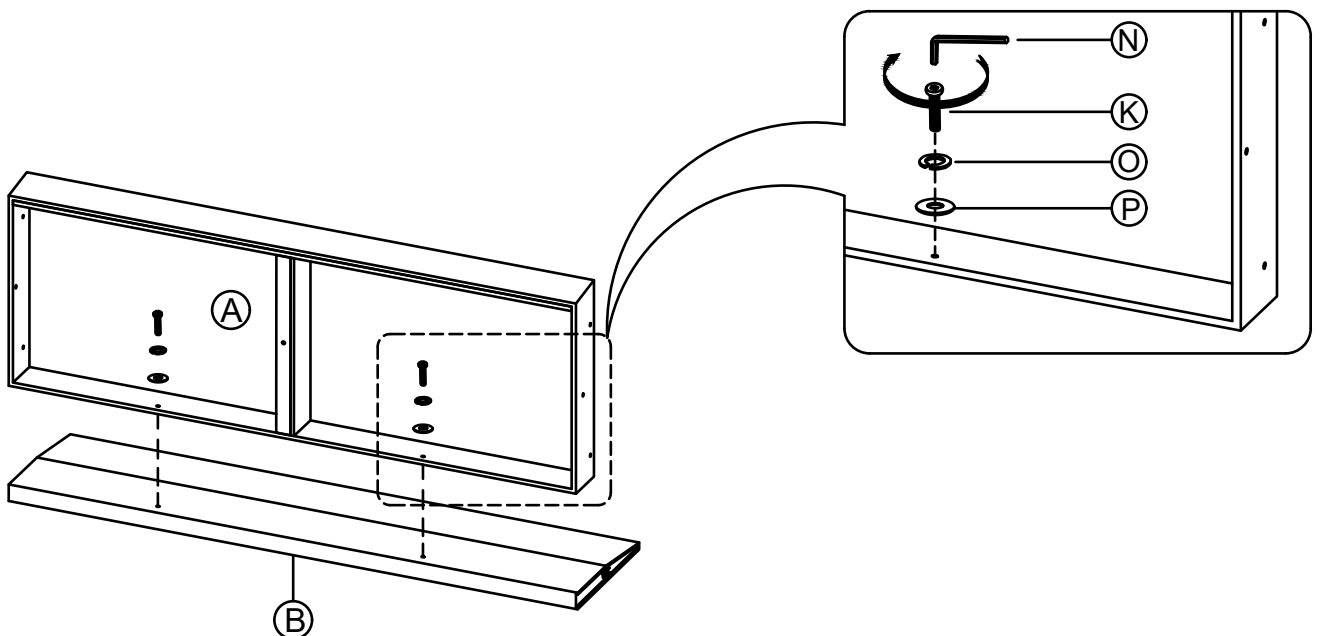
# ASSEMBLY INSTRUCTION



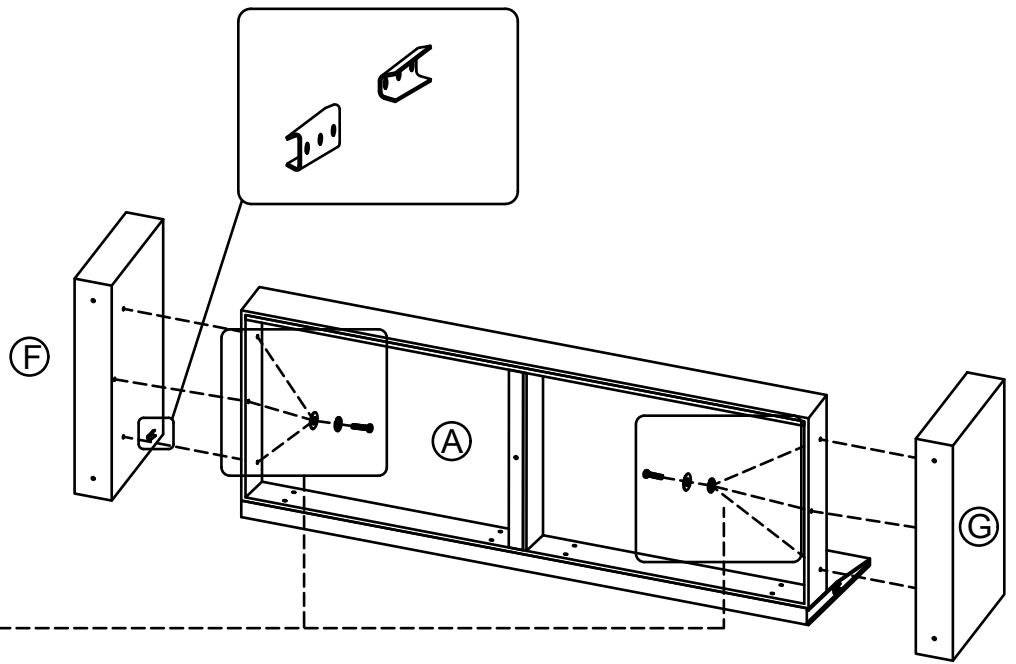
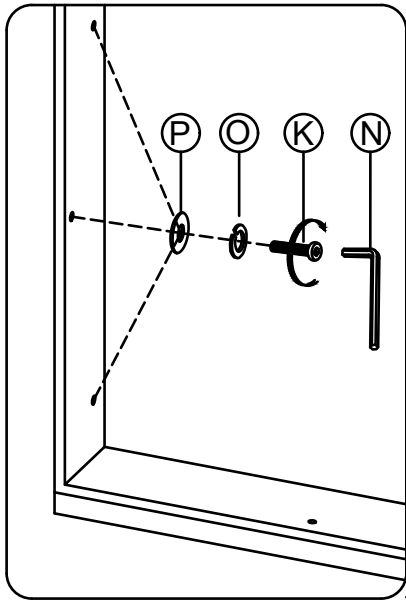
PART LIST			
PART	DRAWING	DESCRIPTION	QTY
A		SEAT	1PC
B		BACKREST	2PCS
C		SEAT CUSHIONS	2PCS
D		CUSHIONS	2PCS
E		PILLOW	2PCS
F		LEFT ARM	1PC
G		RIGHT ARM	1PC

HARDWARE PART LIST			
PART	DRAWING	DESCRIPTION	QTY
K		Bolt 5/16" x45MM	8PCS
O		Spring Washer	8PCS
P		Flat Washer	8PCS
N		Allen key	1PC
H		Wood Legs	5PCS

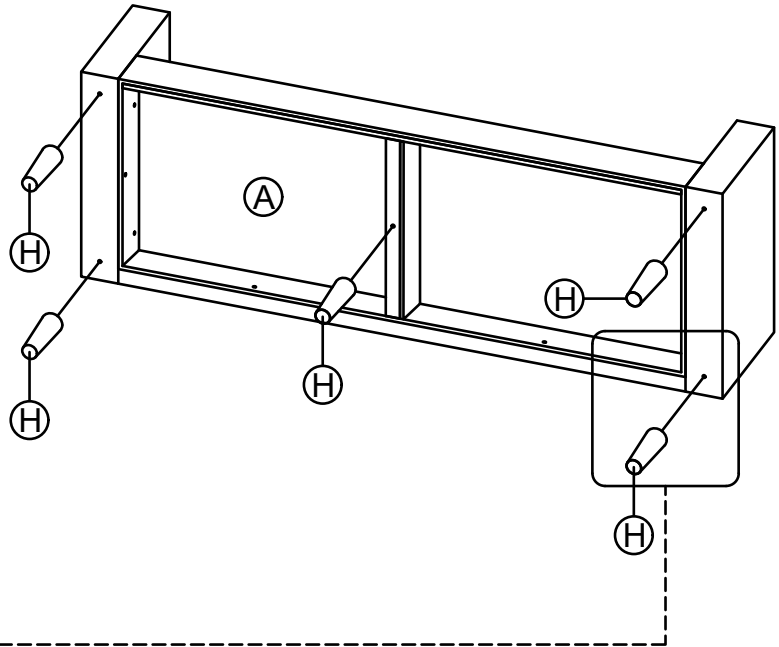
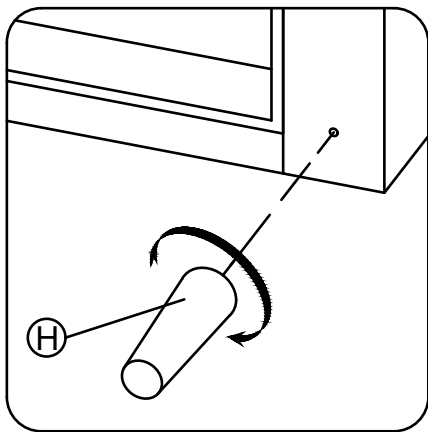
## STEP 1



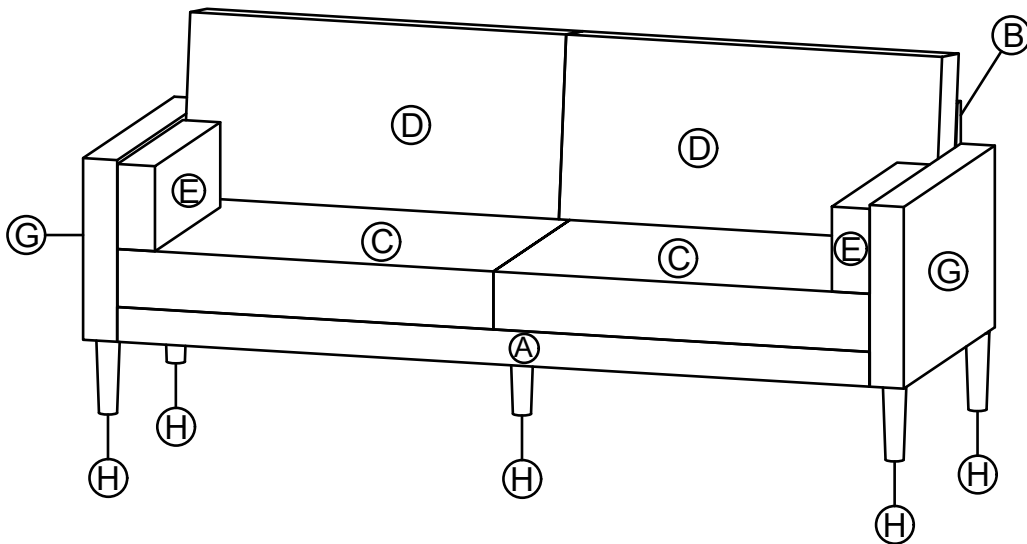
**STEP 2**



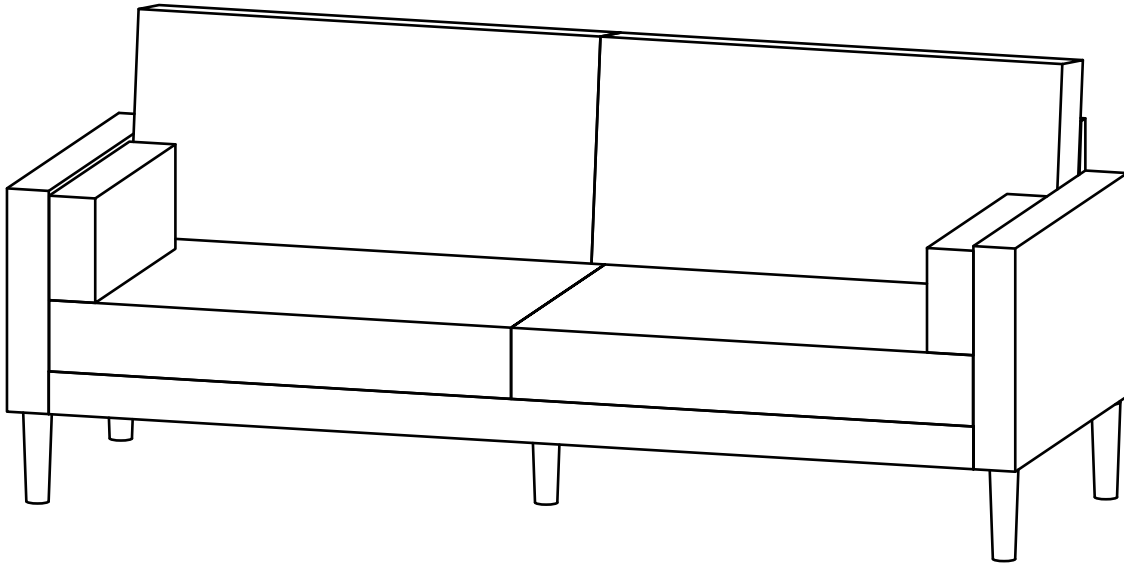
**STEP 3**



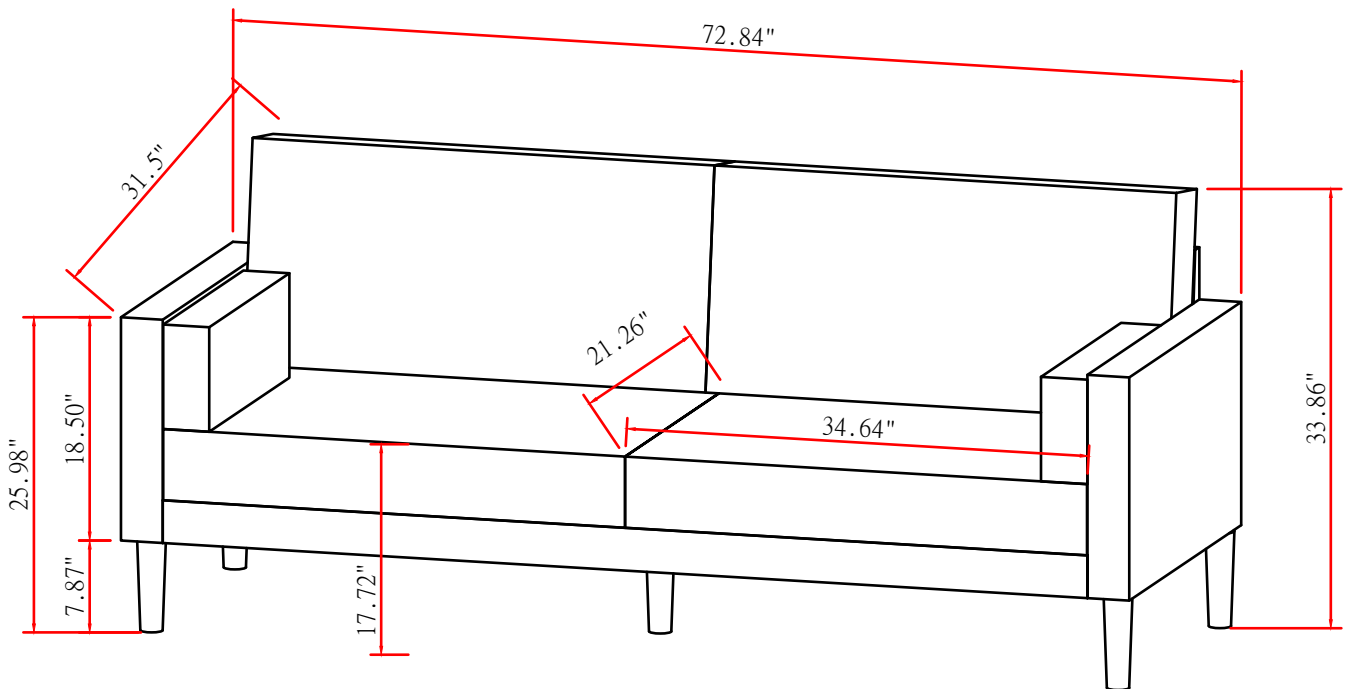
**STEP 4**



**COMPLETED**



**DIMENSION OF PRODUCT**



# Warnings

1. Please check if the components of the chair are all included and can be used normally.
2. Assemble all components according to the instruction correctly.
3. Please DO NOT sit on the armrests and footrest to eliminate the risk of tipping over.
4. If the sofa is damaged or doesn't match the website description, please send clear pictures of the product and label of the carton to our service team for further help.
5. If the chair still doesn't assembly, please feed the information back to our customer service in time and we'll help you solve the matter as soon as possible.
6. If you have any questions with the product, please contact us by:

Email: [customerservice@zoy-living.com](mailto:customerservice@zoy-living.com)(we will reply to you within 24 hours)

