

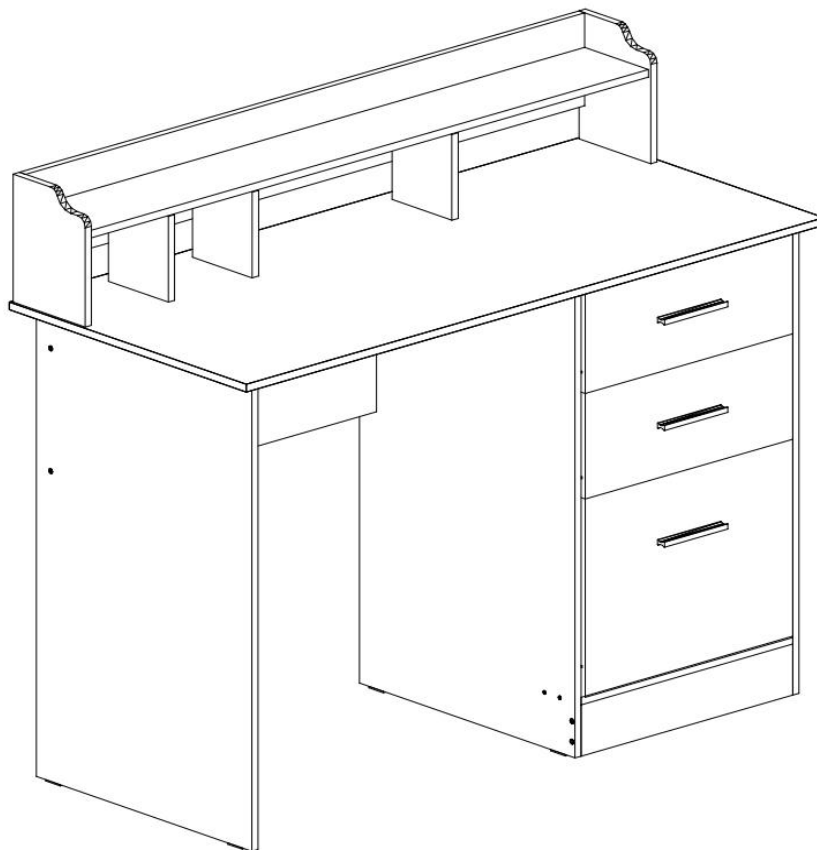
ASSEMBLY INSTRUCTION

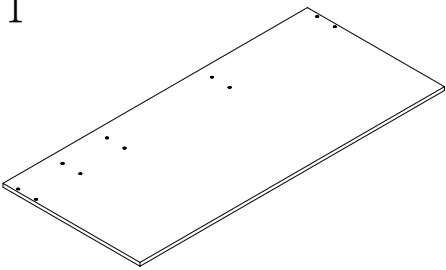
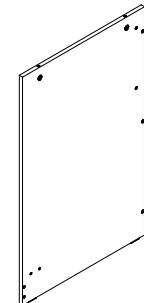
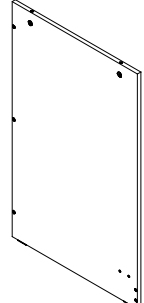
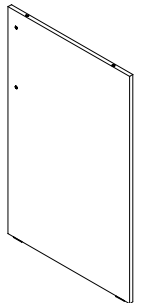
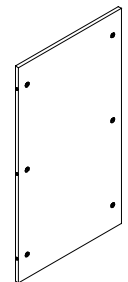
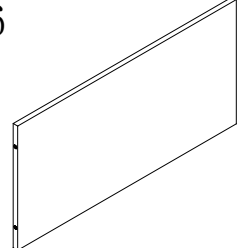
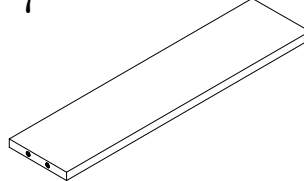
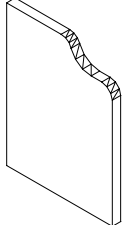
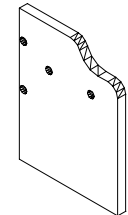
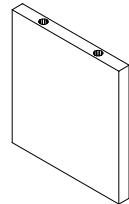
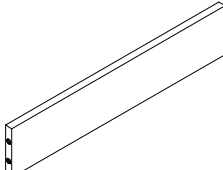
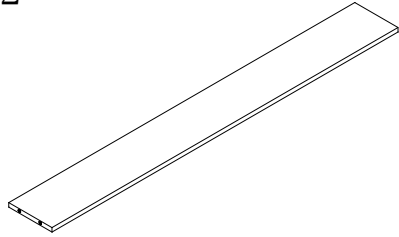
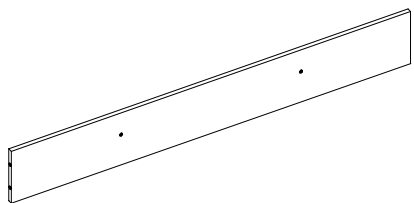
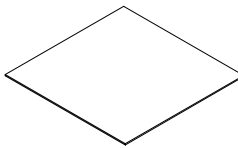
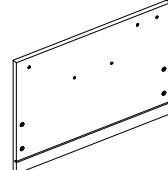
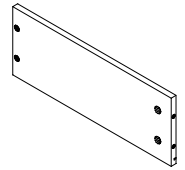
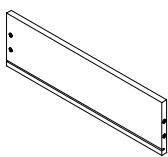
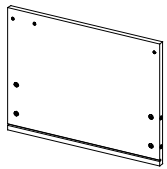
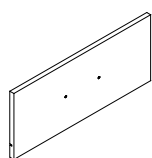
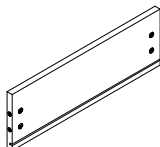
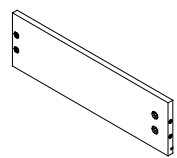
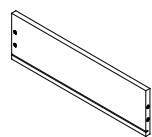
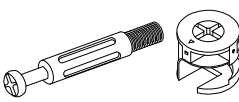
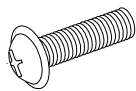
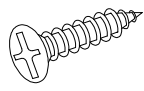
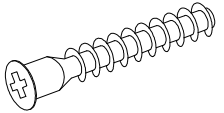
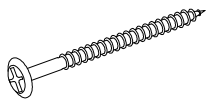
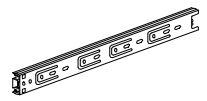


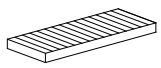
Dear Customer,

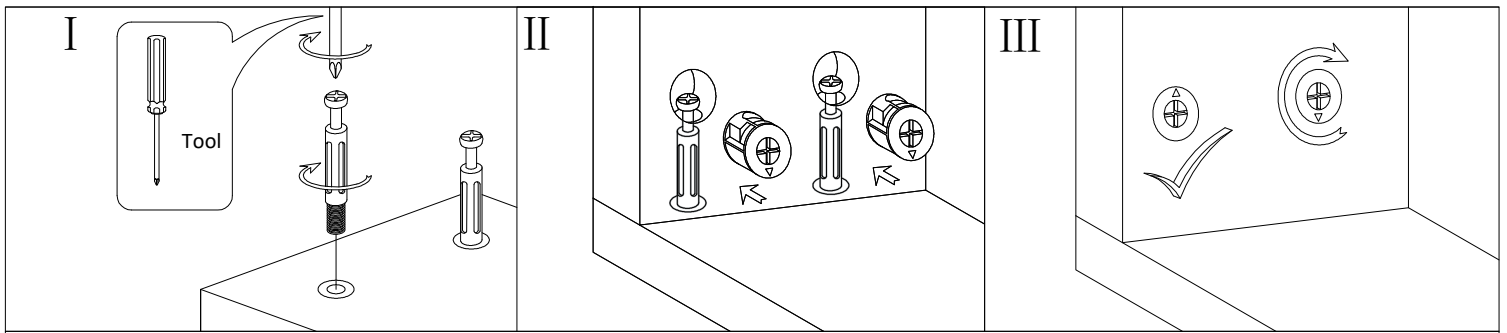
Thanks for choosing our product.

Please kindly note that this manual should always come with the desk while assembling.

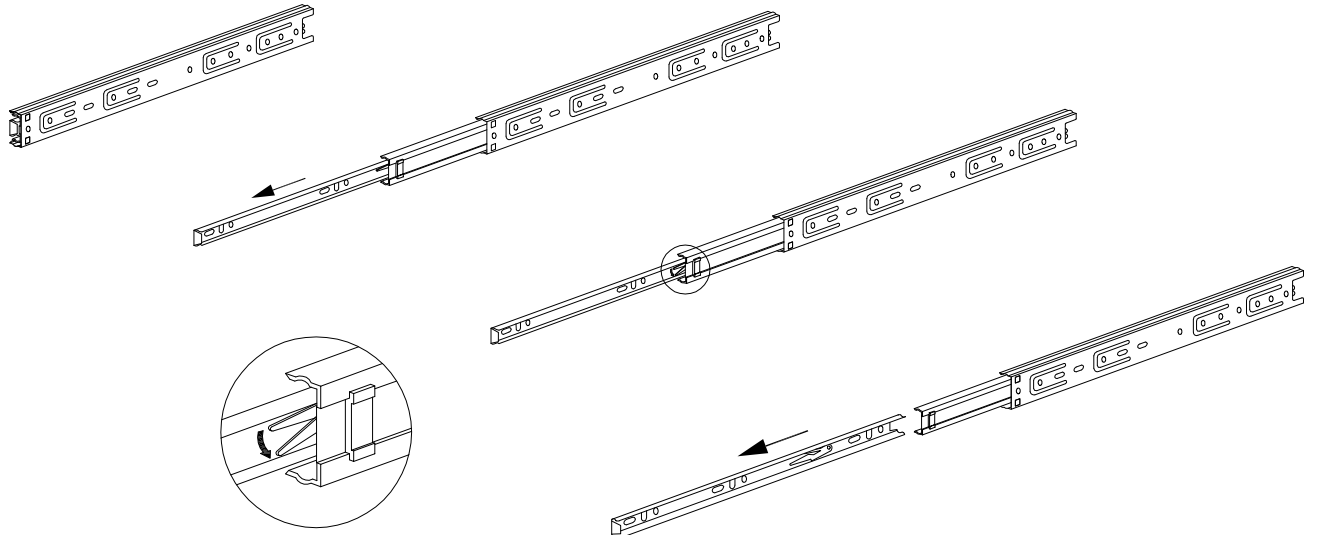
And please read the manual carefully and keep the desk away from damages caused by improper assembly.



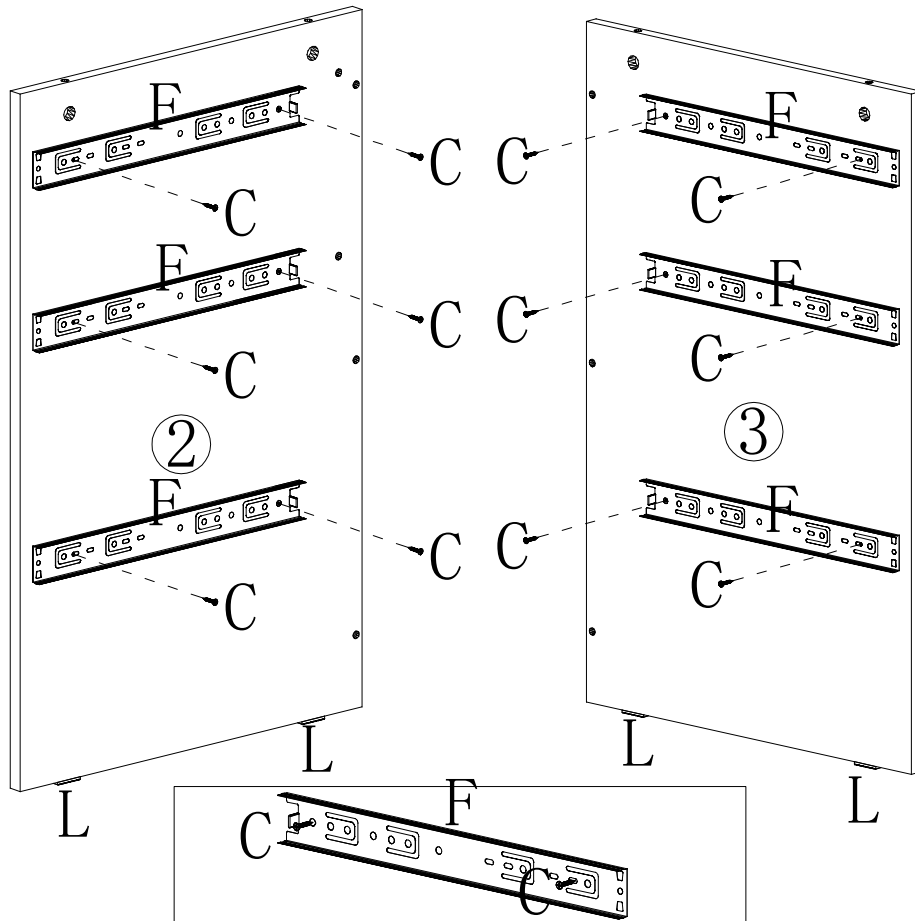
<p>1</p>  <p>1100*495*15</p>	<p>2</p>  <p>450*730*15</p>	<p>3</p>  <p>450*730*15</p>	<p>4</p>  <p>450*730*15</p>	
<p>5</p>  <p>400*730*12</p>	<p>6</p>  <p>600*295*12</p>	<p>7</p>  <p>400*95*12</p>	<p>8</p>  <p>200*150*12</p>	
<p>9</p>  <p>200*150*12</p>	<p>10</p>  <p>125*135*12 3 PCS</p>	<p>11</p>  <p>80*400*12</p>	<p>12</p>  <p>1065*125*12</p>	
<p>13</p>  <p>1065*145*12</p>	<p>14</p>  <p>360*385*3 3 PCS</p>	<p>15</p>  <p>395*295*15</p>	<p>16</p>  <p>390*145*12</p>	
<p>17</p>  <p>390*145*12</p>	<p>18</p>  <p>350*270*12</p>	<p>19</p>  <p>395*165*15</p>	<p>20</p>  <p>390*115*12</p>	<p>21</p>  <p>390*115*12</p>
<p>22</p>  <p>390*115*12</p>	<p>A</p>  <p>M7*40mm 38 PCS</p>	<p>B</p>  <p>M4*18mm 6 PCS</p>	<p>C</p>  <p>M3.5*12mm 24 PCS</p>	<p>D</p>  <p>M7*40mm 24 PCS</p>
<p>E</p>  <p>M5*50mm 12 PCS</p>	<p>F</p>  <p>325*37*12mm 6 PCS</p>	<p>G</p>  <p>119*15mm 3 PCS</p>	<p>J</p>  <p>φ 5*375mm 2 PCS</p>	<p>L</p>  <p>6 PCS</p>







"F" Hardware disassembly example

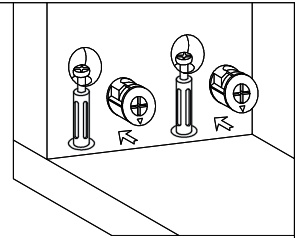
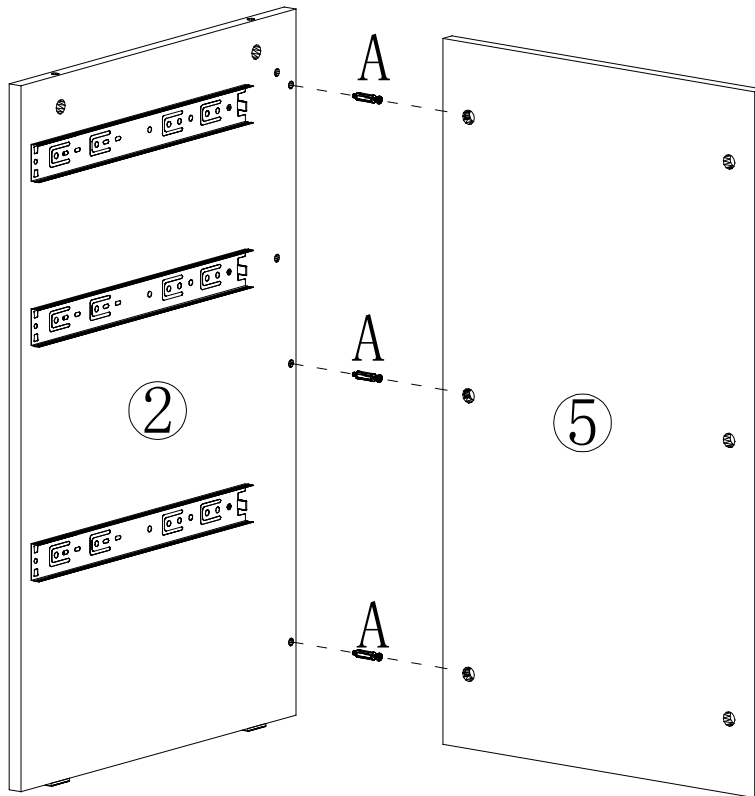


STEP 1



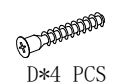
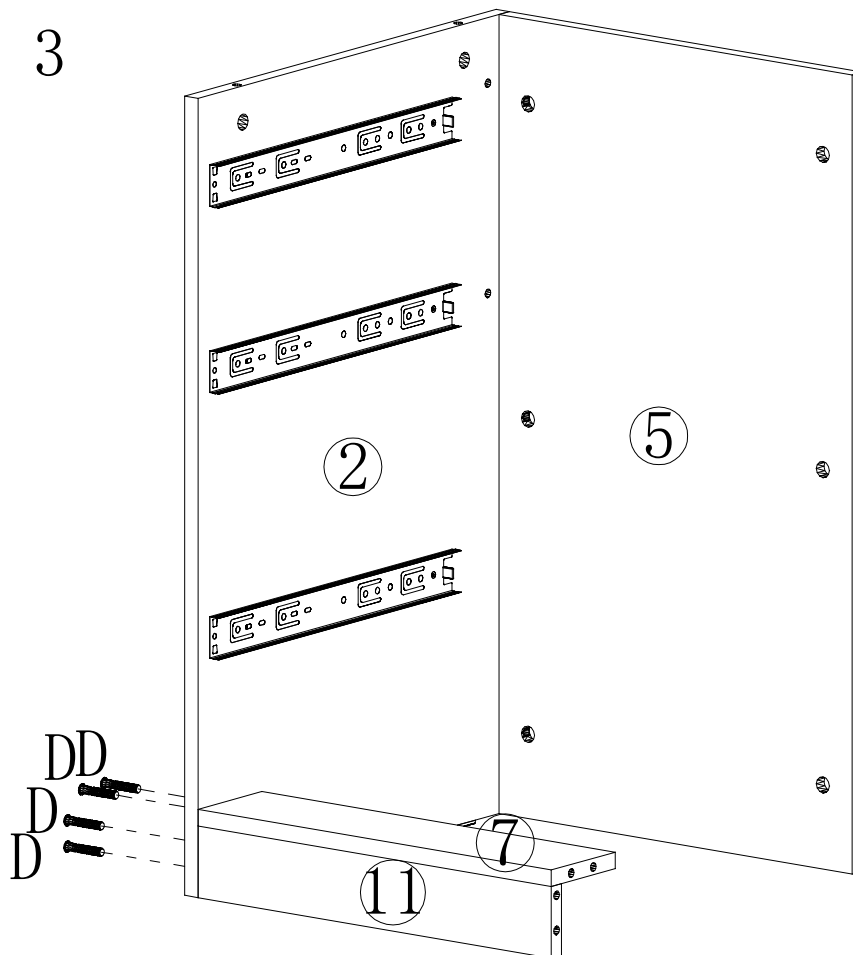
	
C*12 PCS	L*4 PCS
	
	F*6 PCS

STEP 2



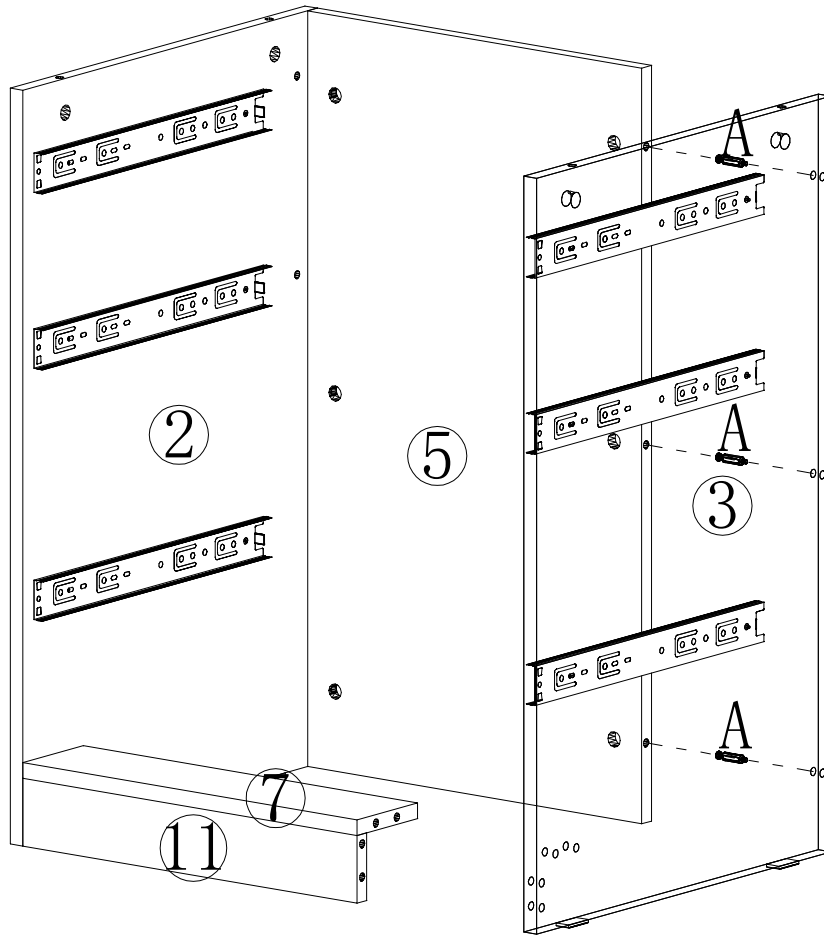
A*3 PCS

STEP 3

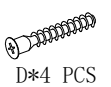
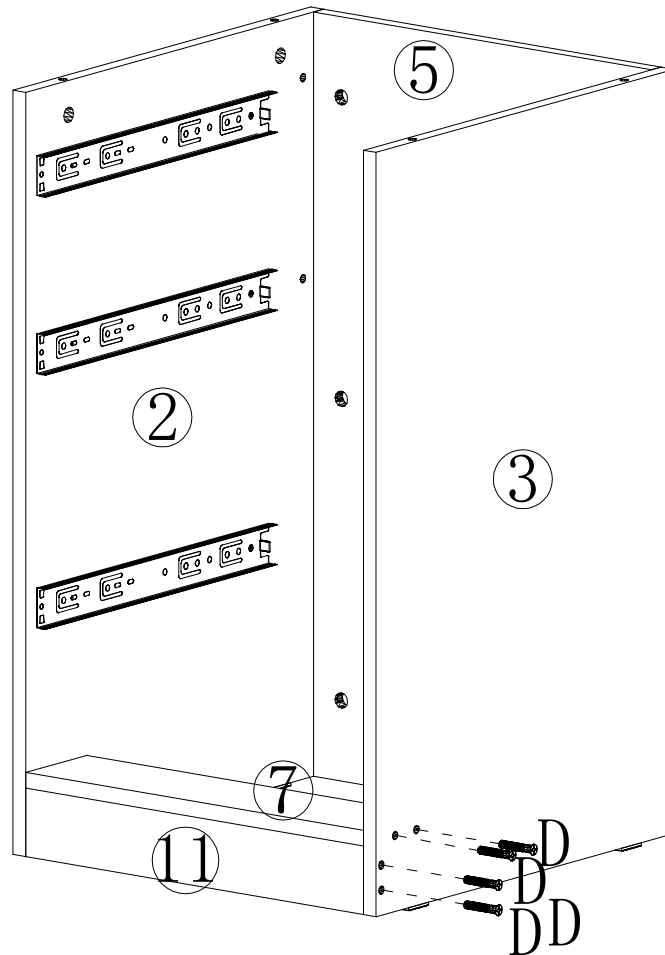


D*4 PCS

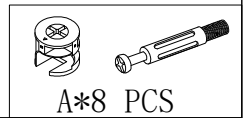
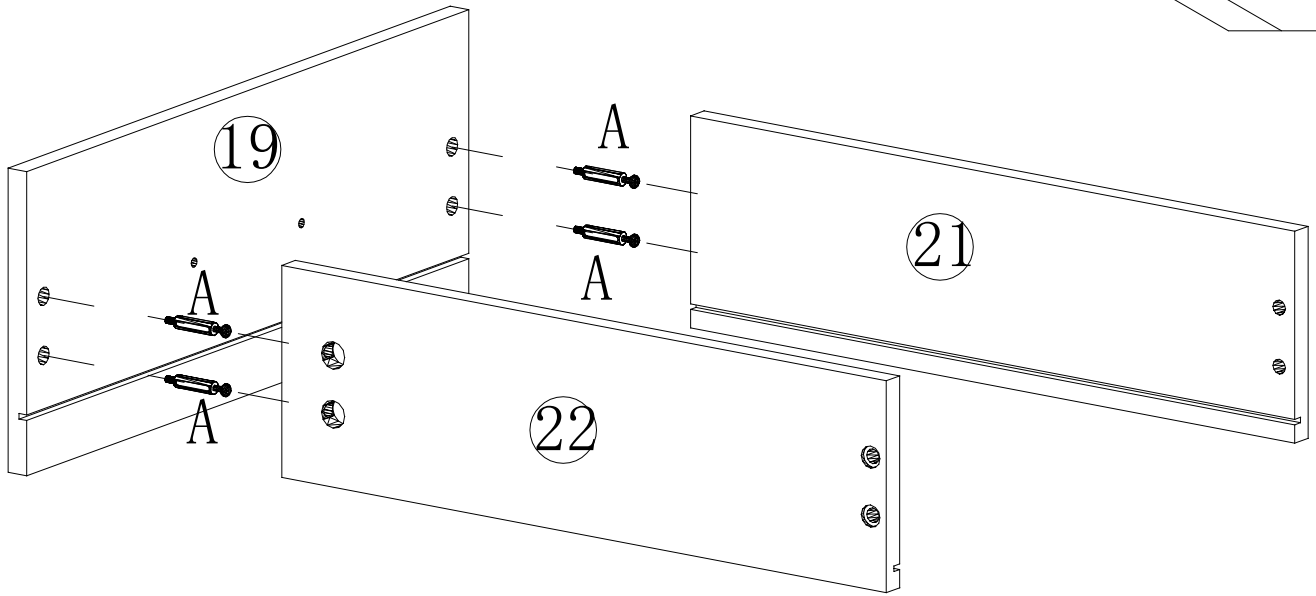
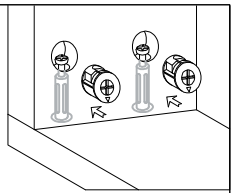
STEP 4



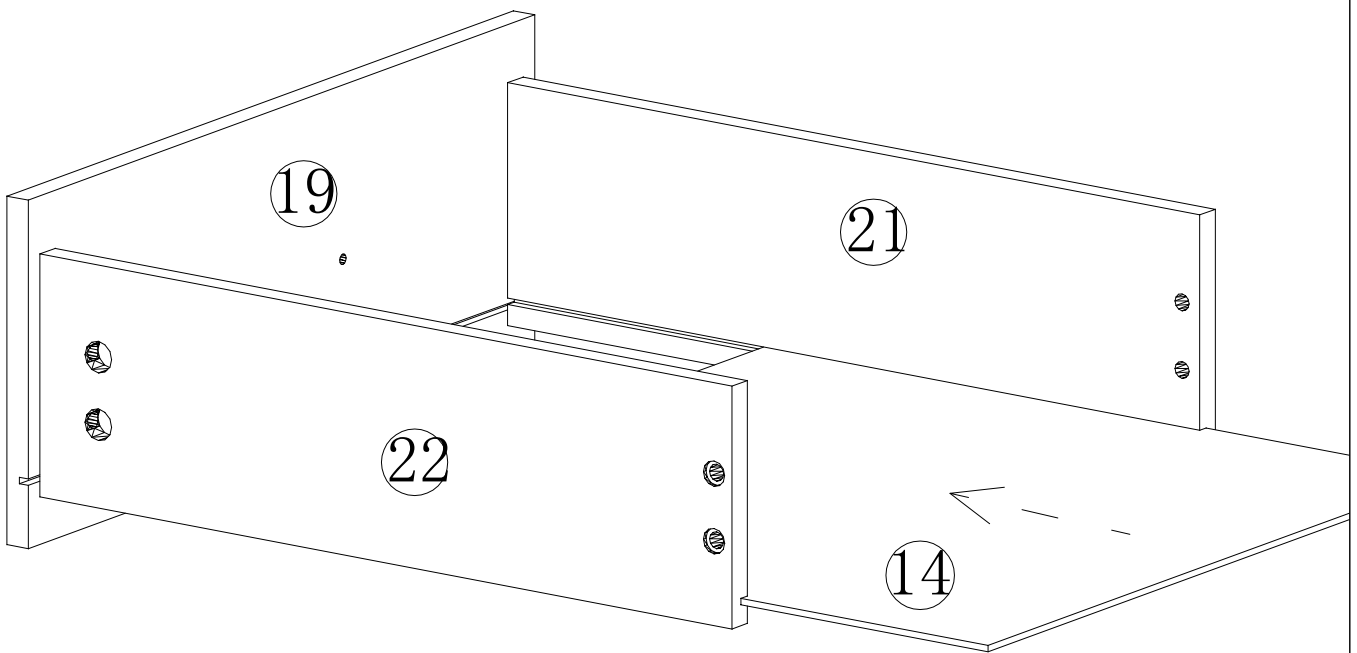
STEP 5



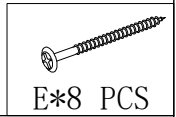
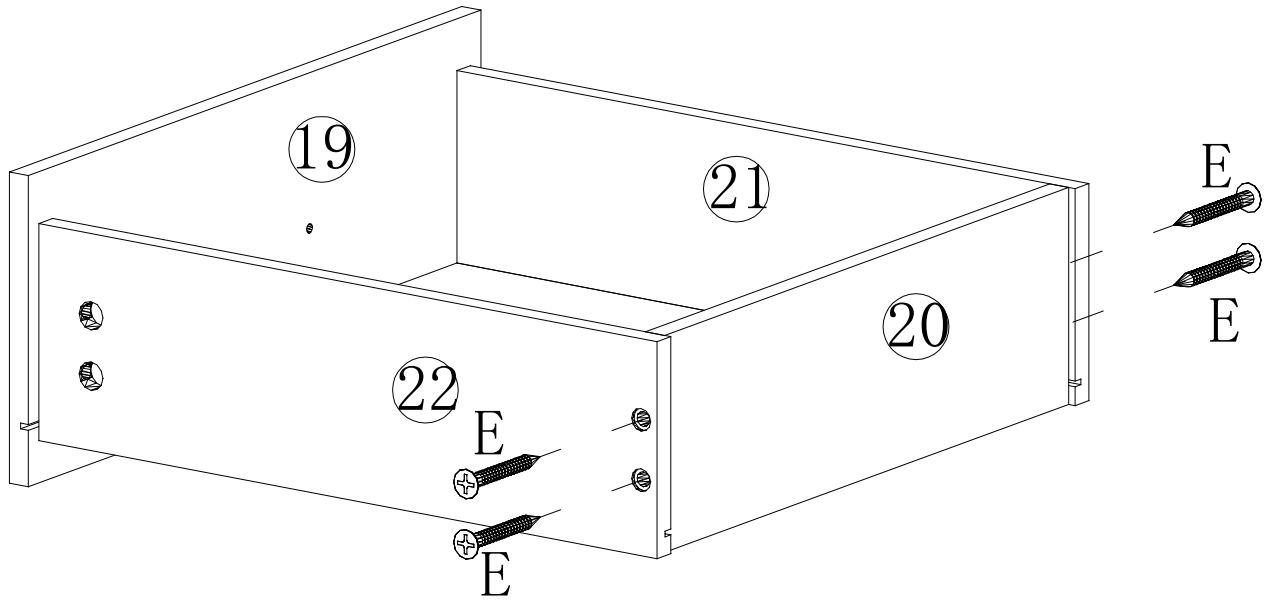
STEP 6*2



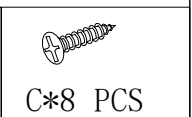
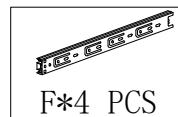
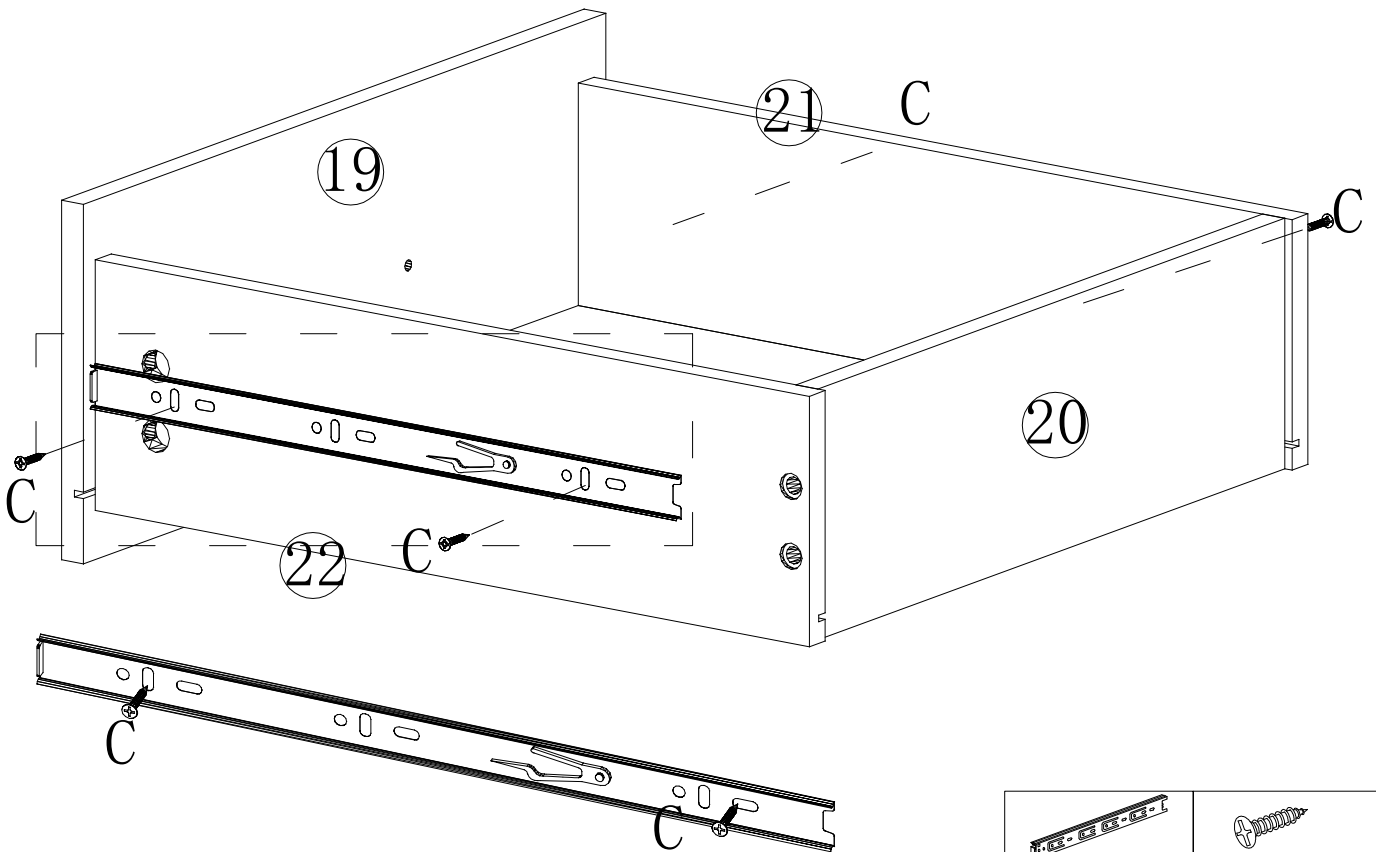
STEP 7*2



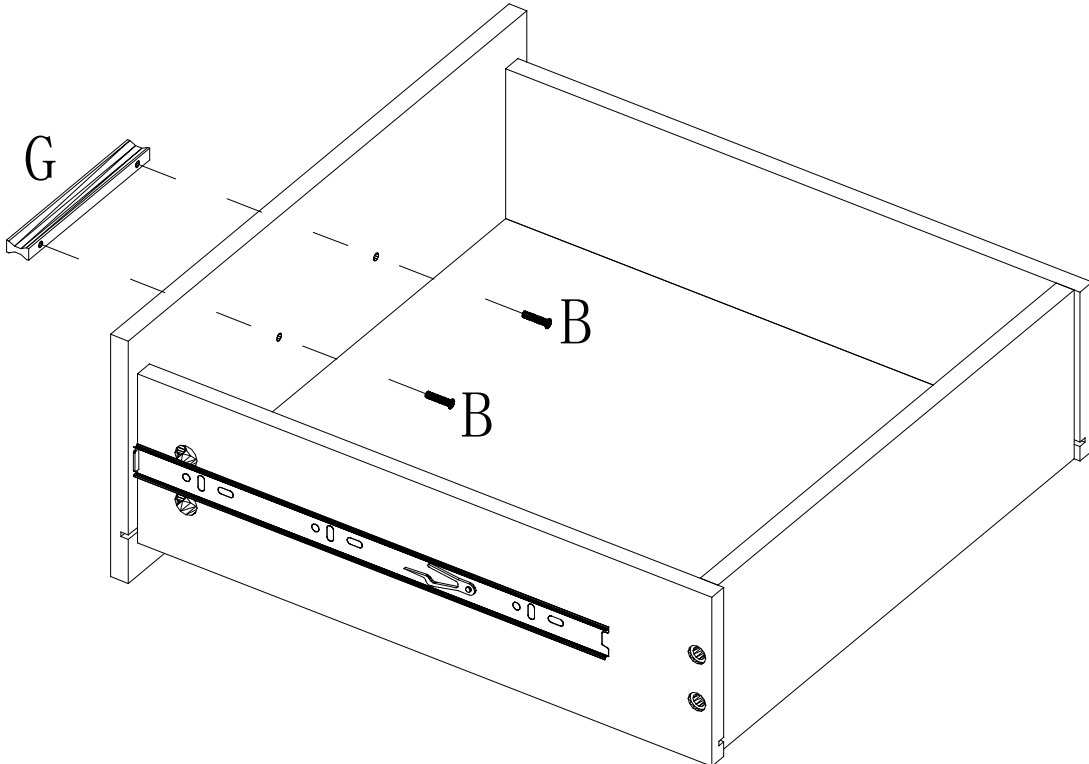
STEP 8*2


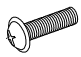


STEP 9*2

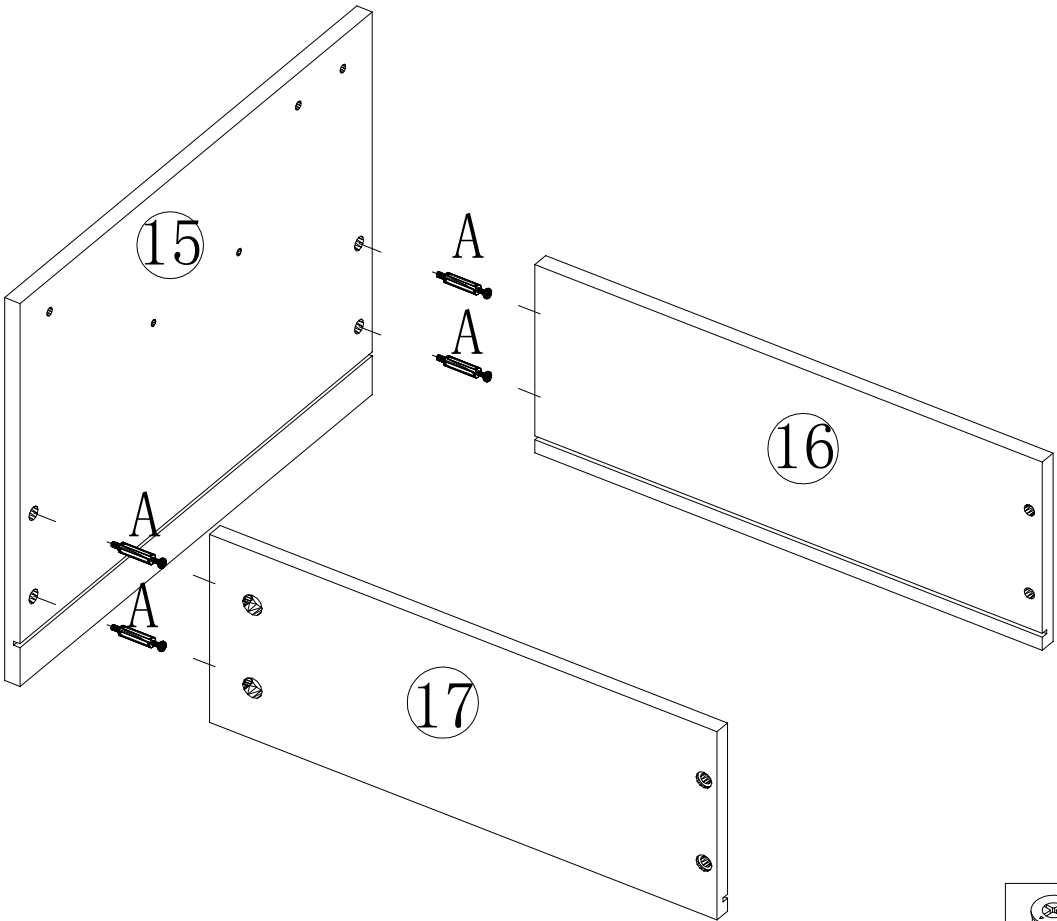



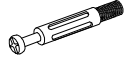
STEP 10*2



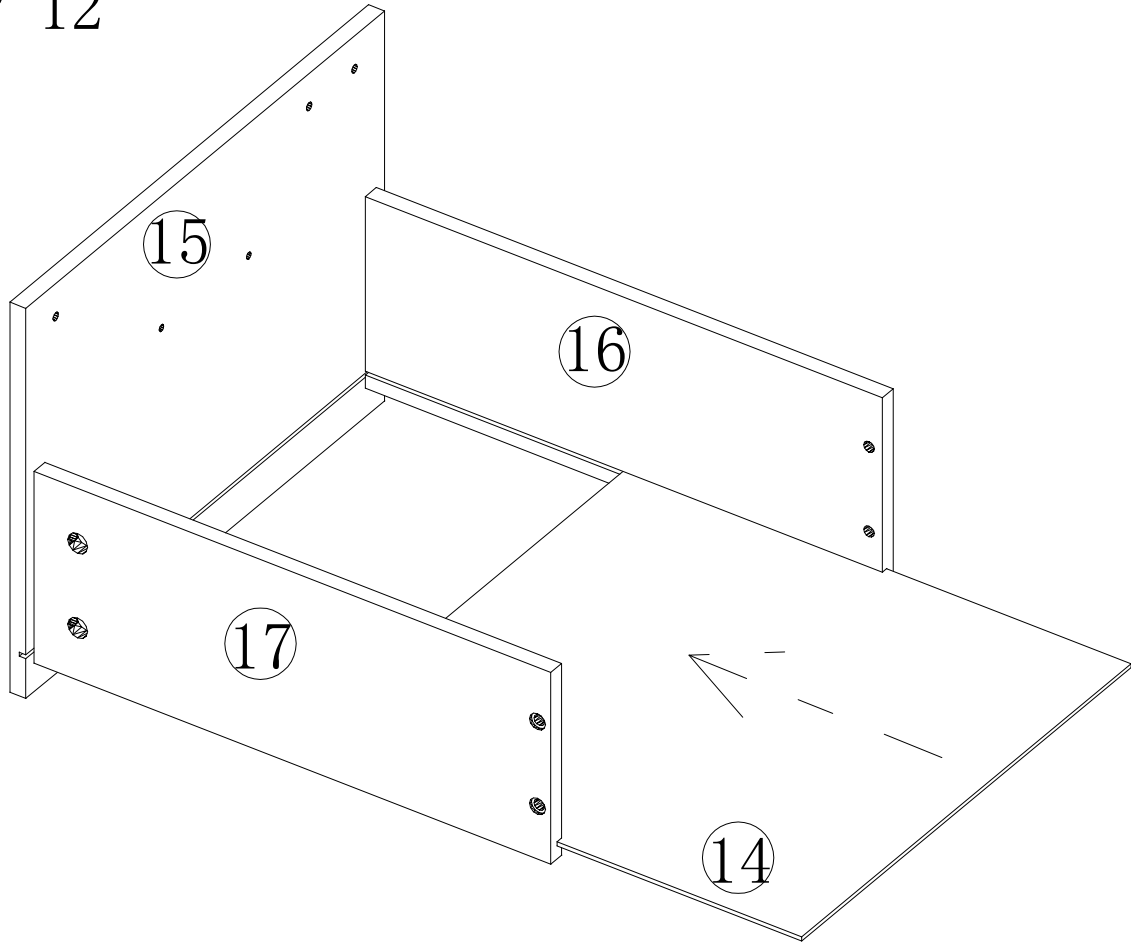
 G*2 PCS	 B*4 PCS
--------------------------------------------------------------------------------------------------	--------------------------------------------------------------------------------------------------

STEP 11

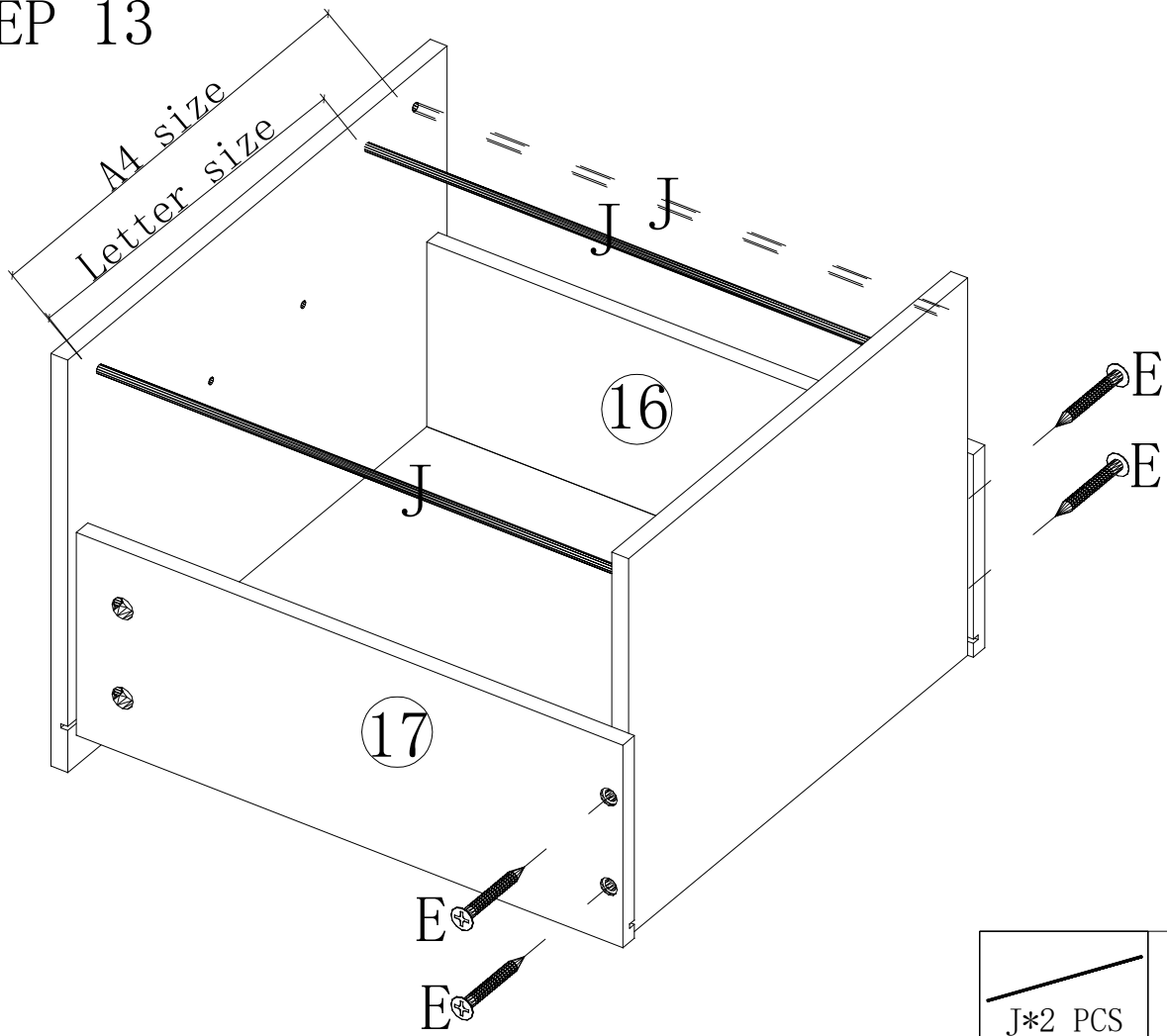


 A*4 PCS	
--------------------------------------------------------------------------------------------------	---------------------------------------------------------------------------------------

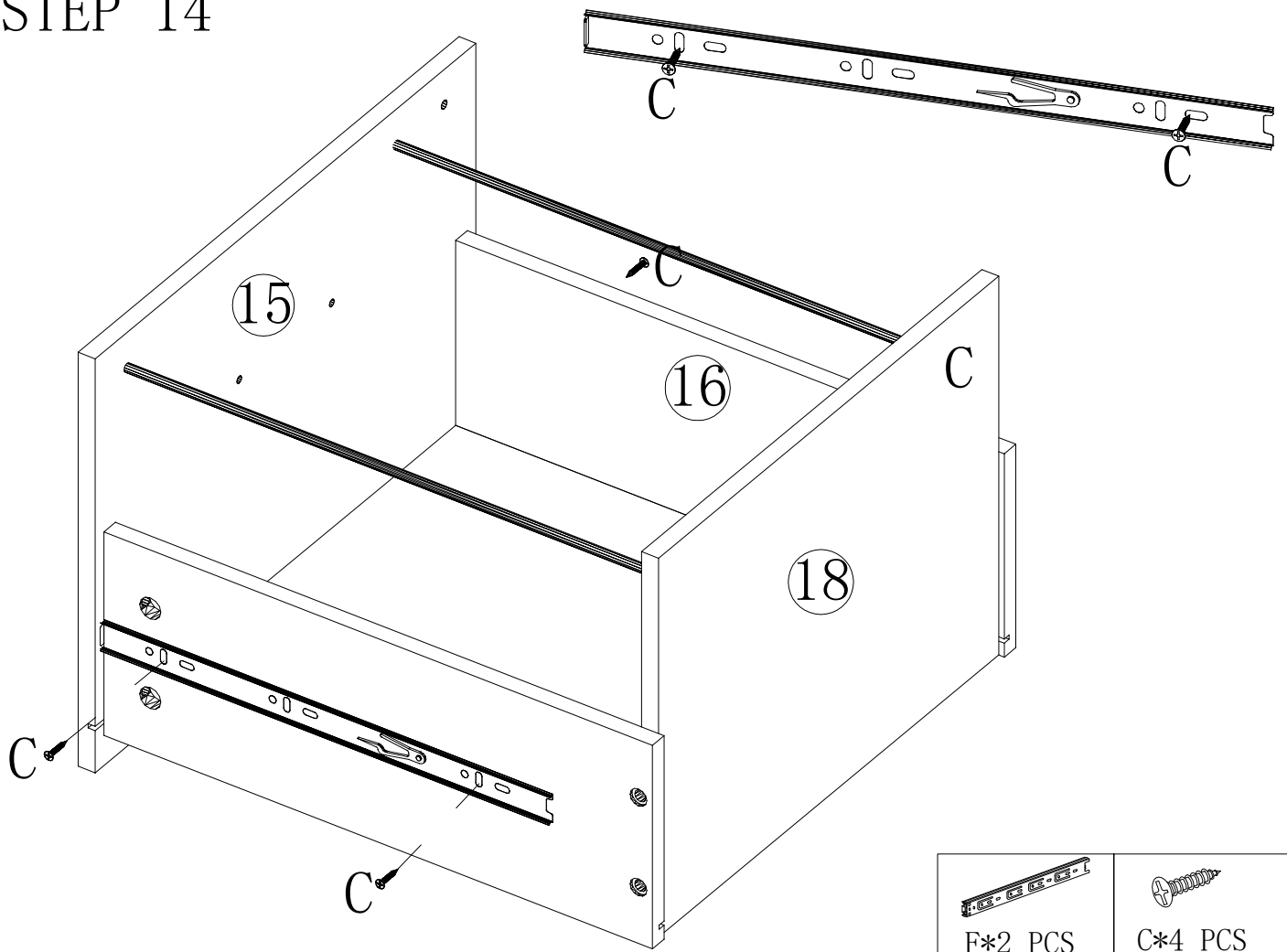
STEP 12



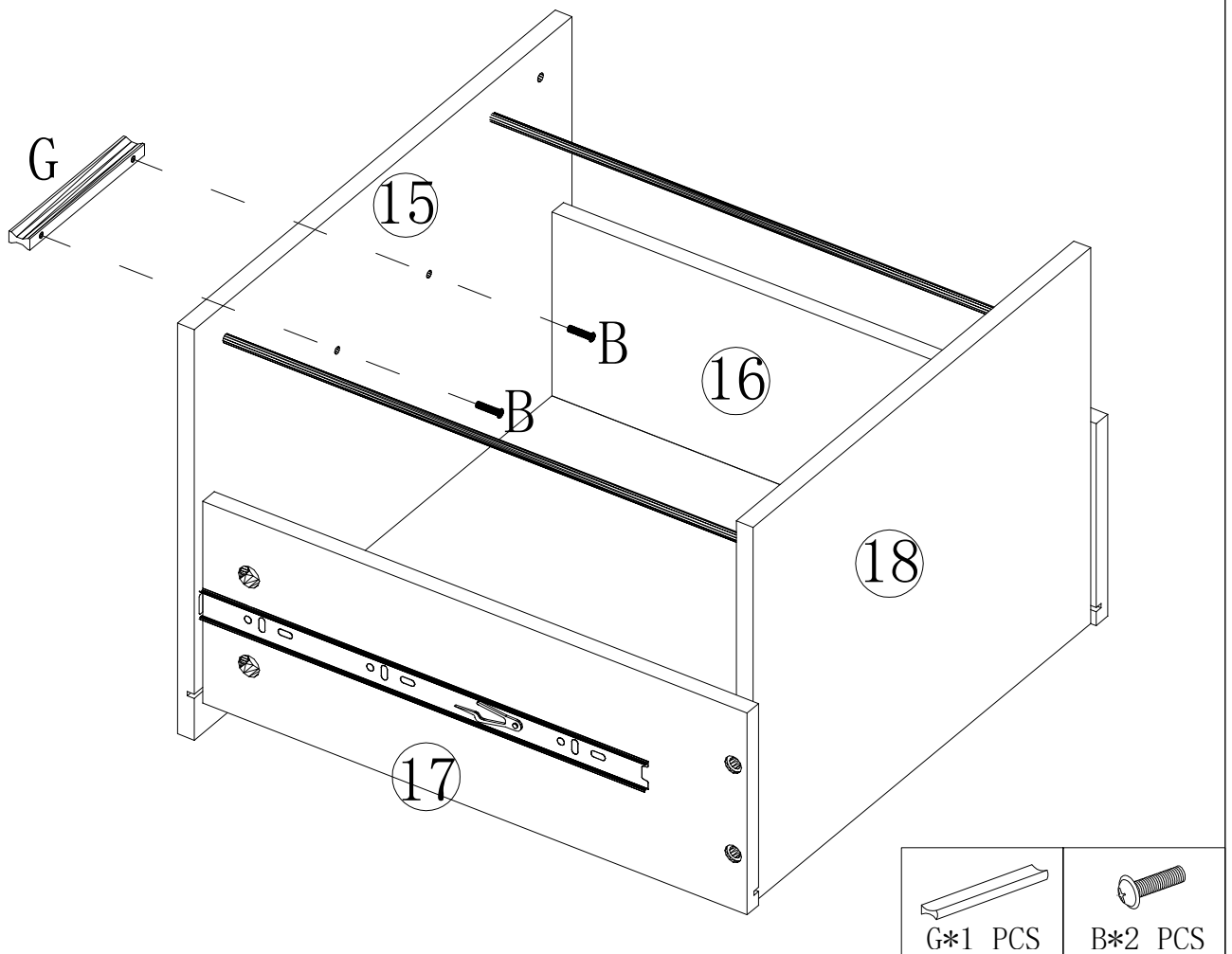
STEP 13



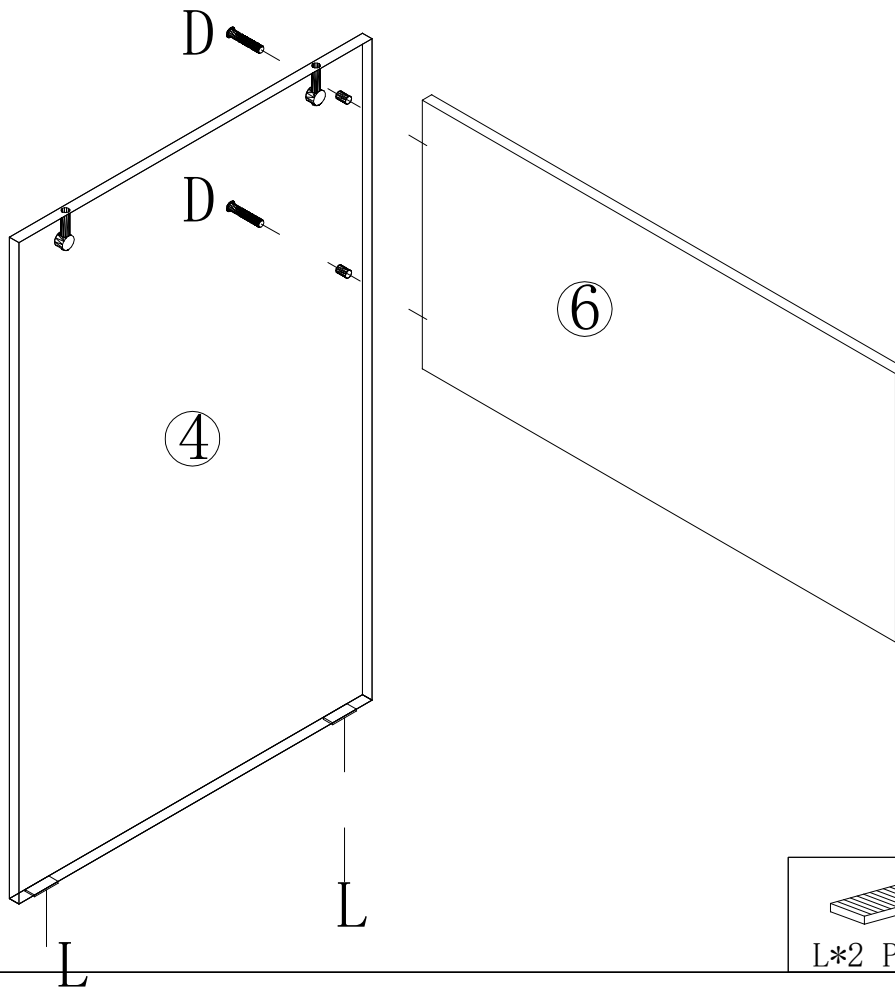
STEP 14



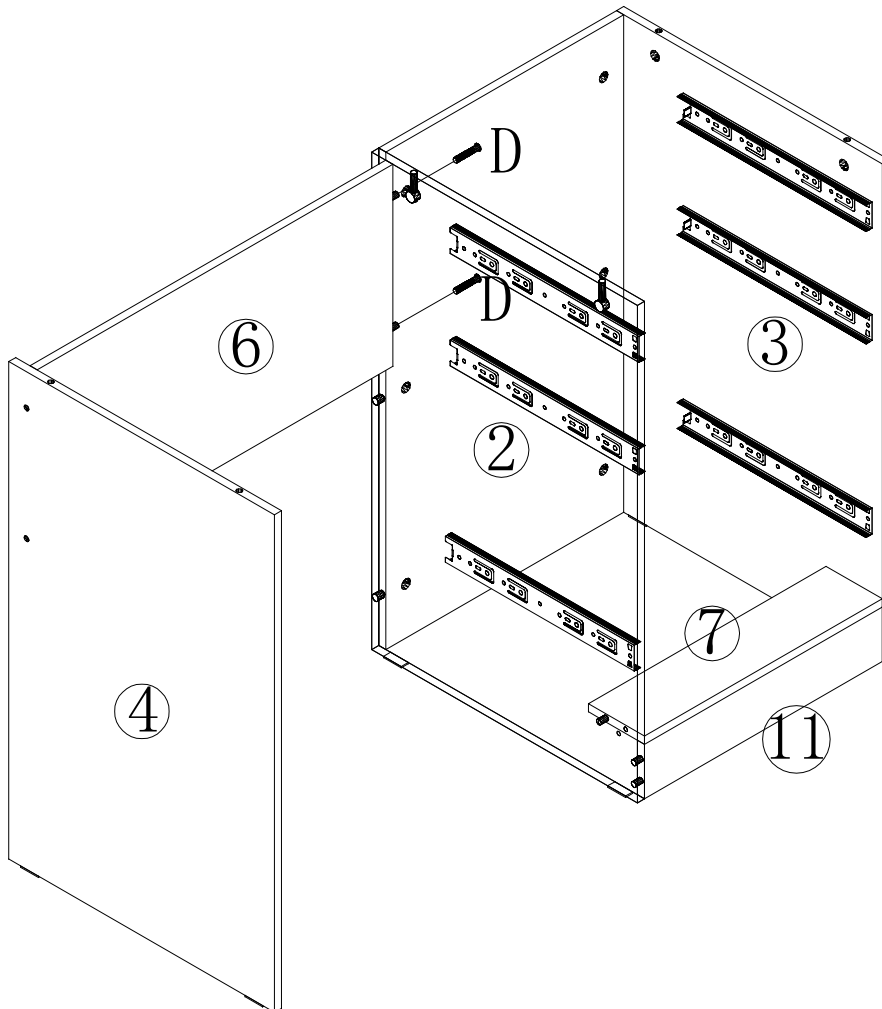
STEP 15



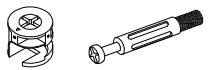
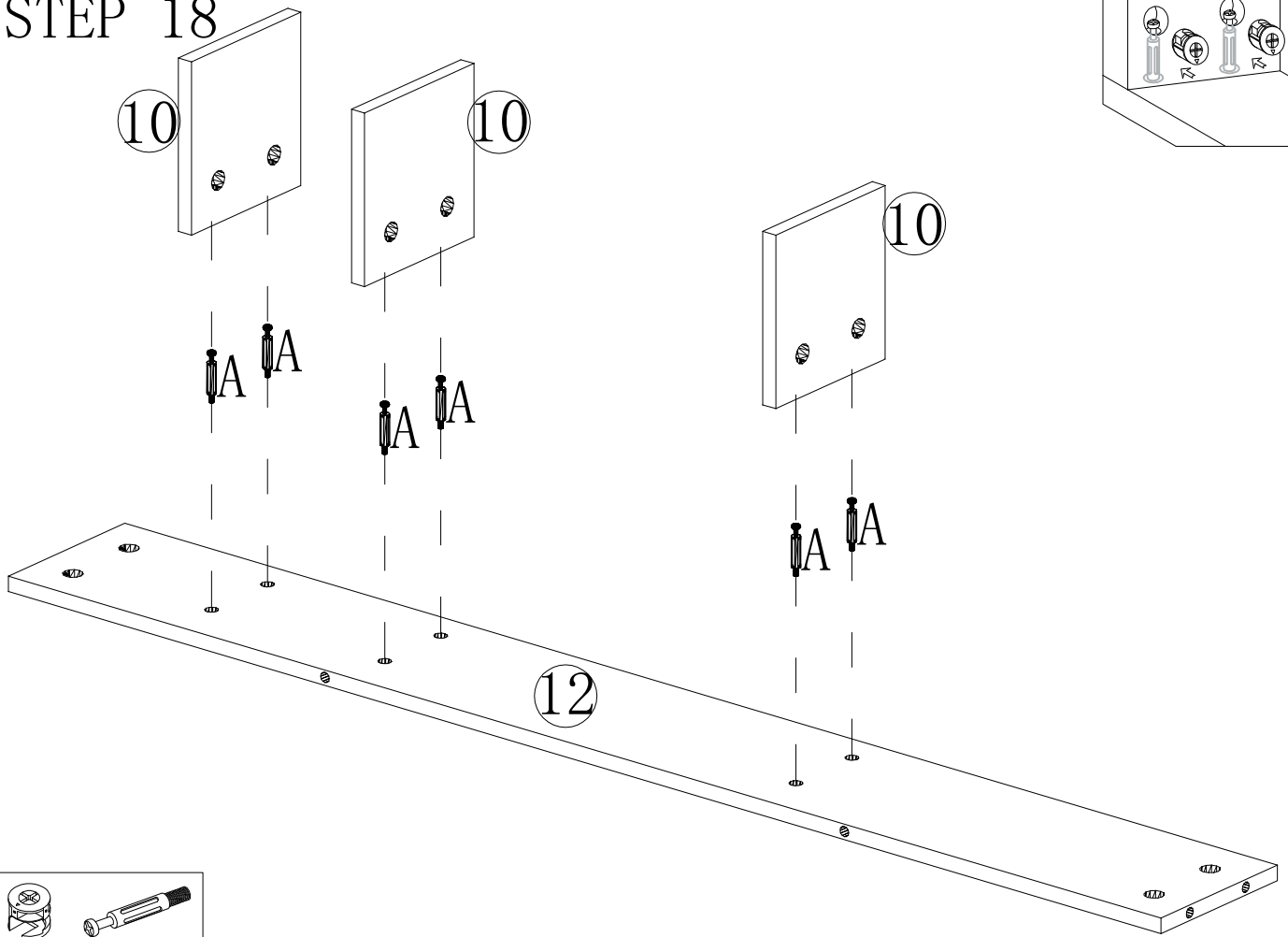
STEP 16



STEP 17

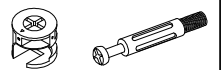
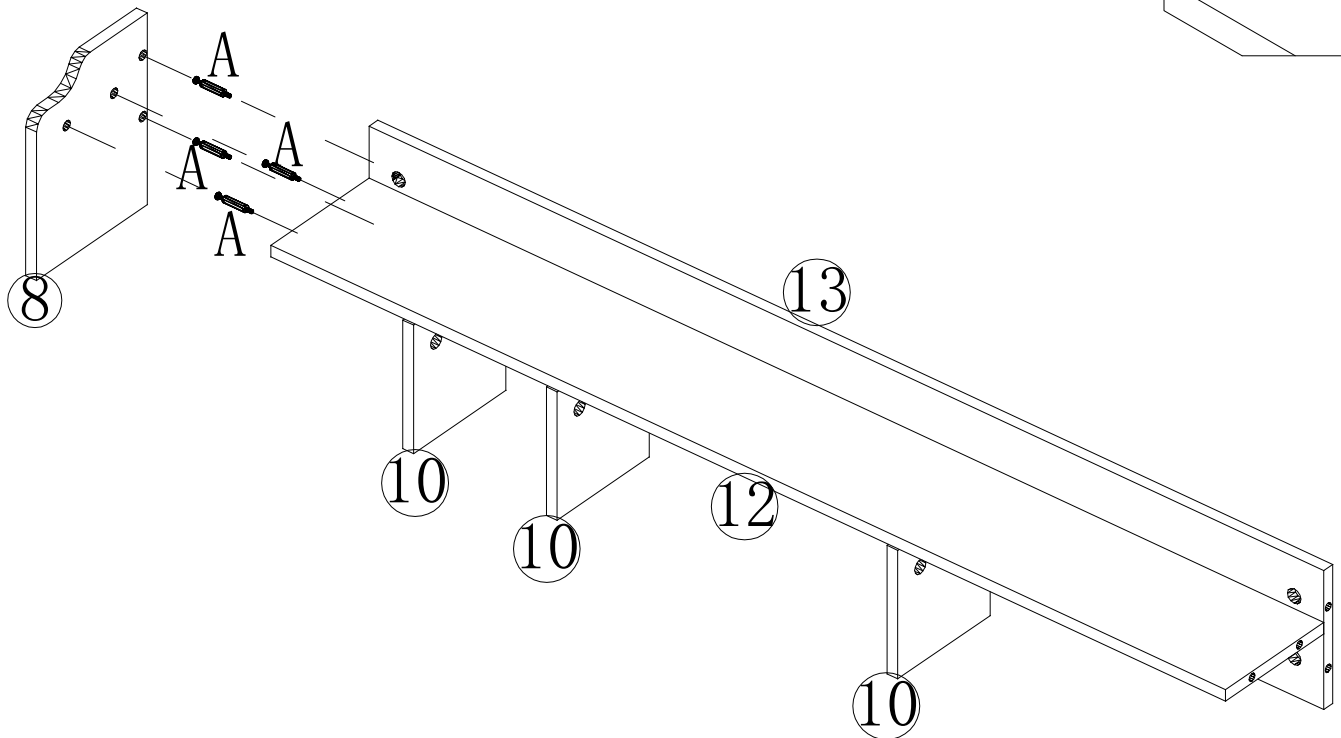


STEP 18



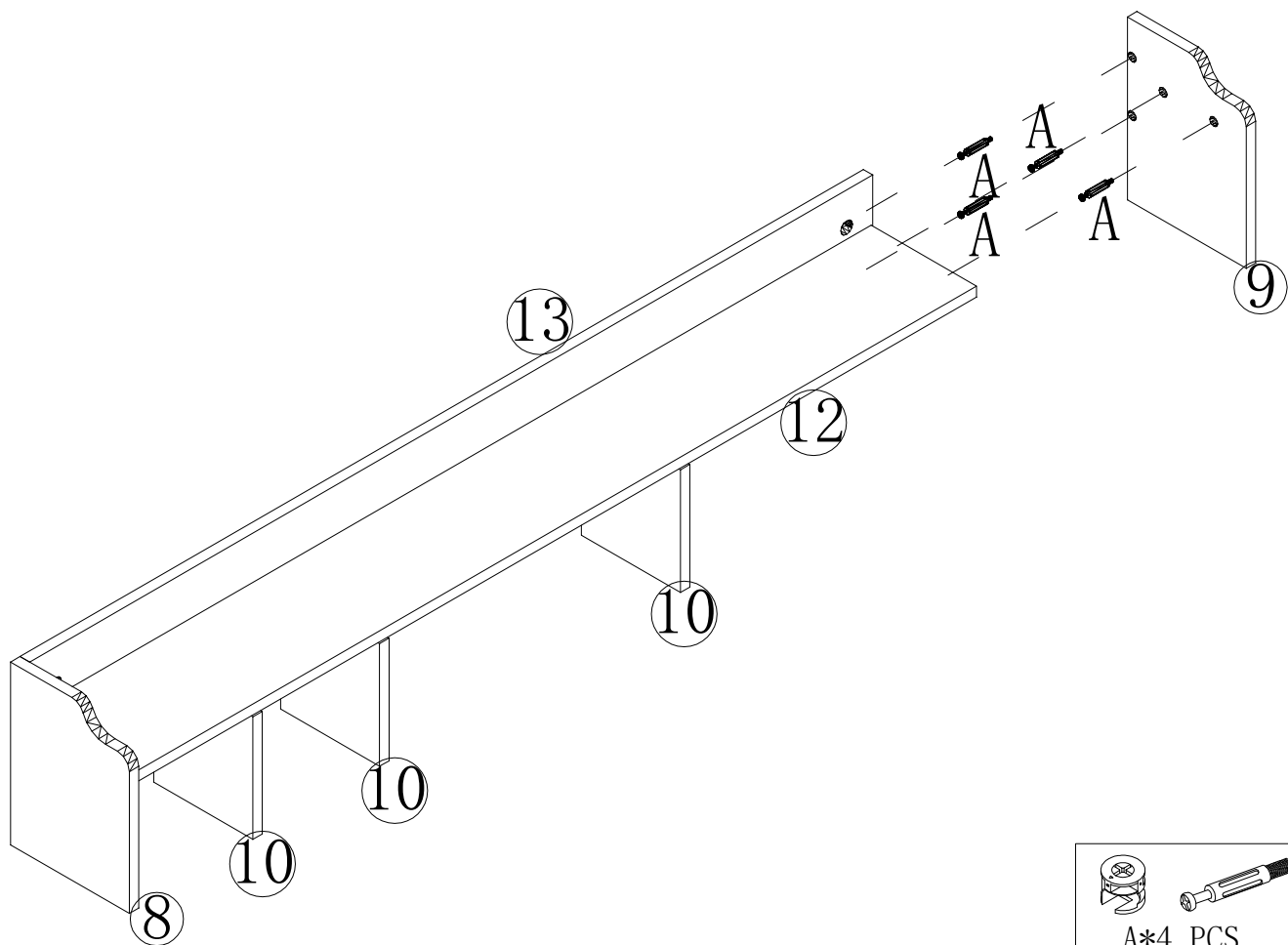
A*6 PCS

STEP 19

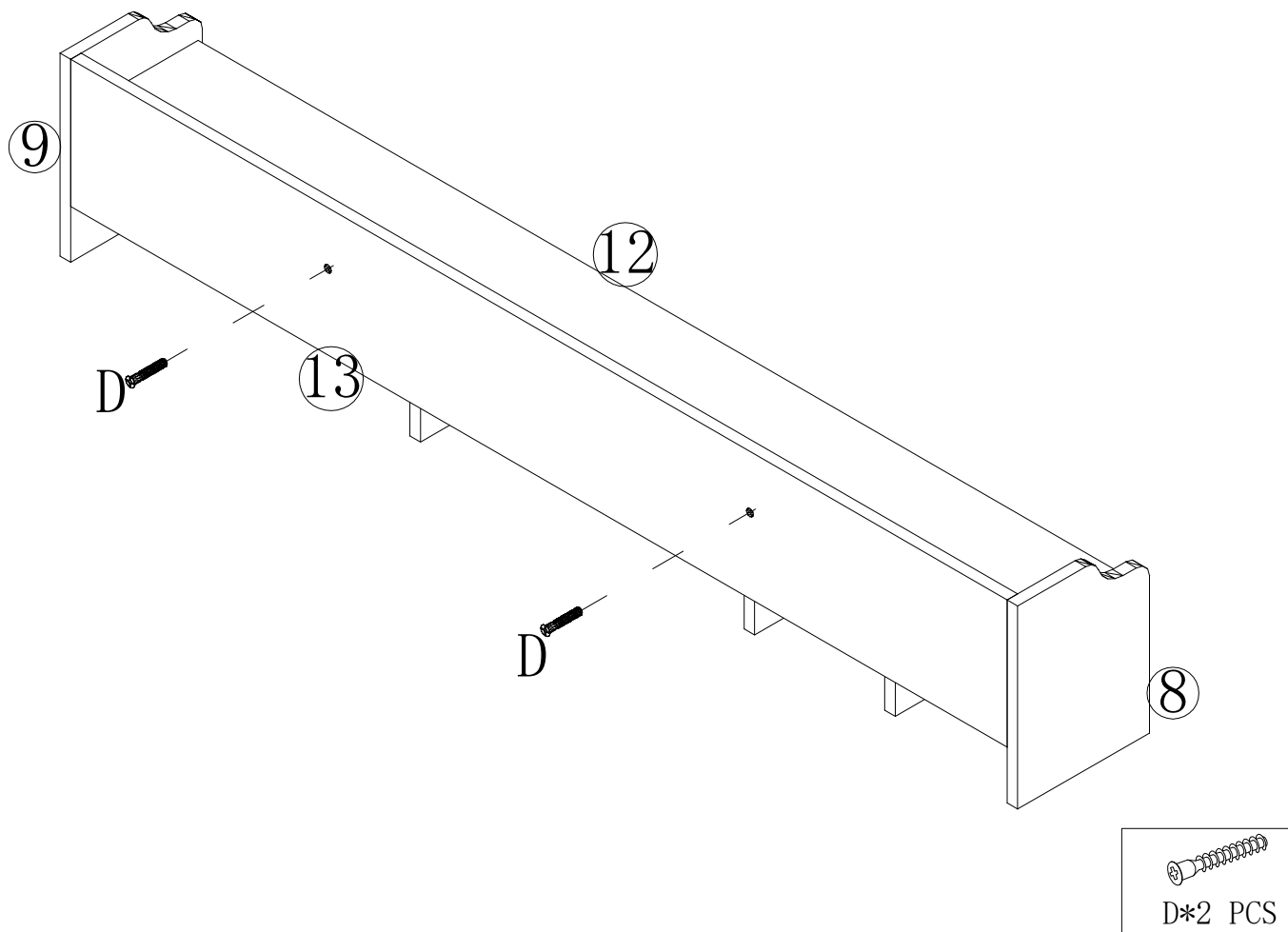


A*4 PCS

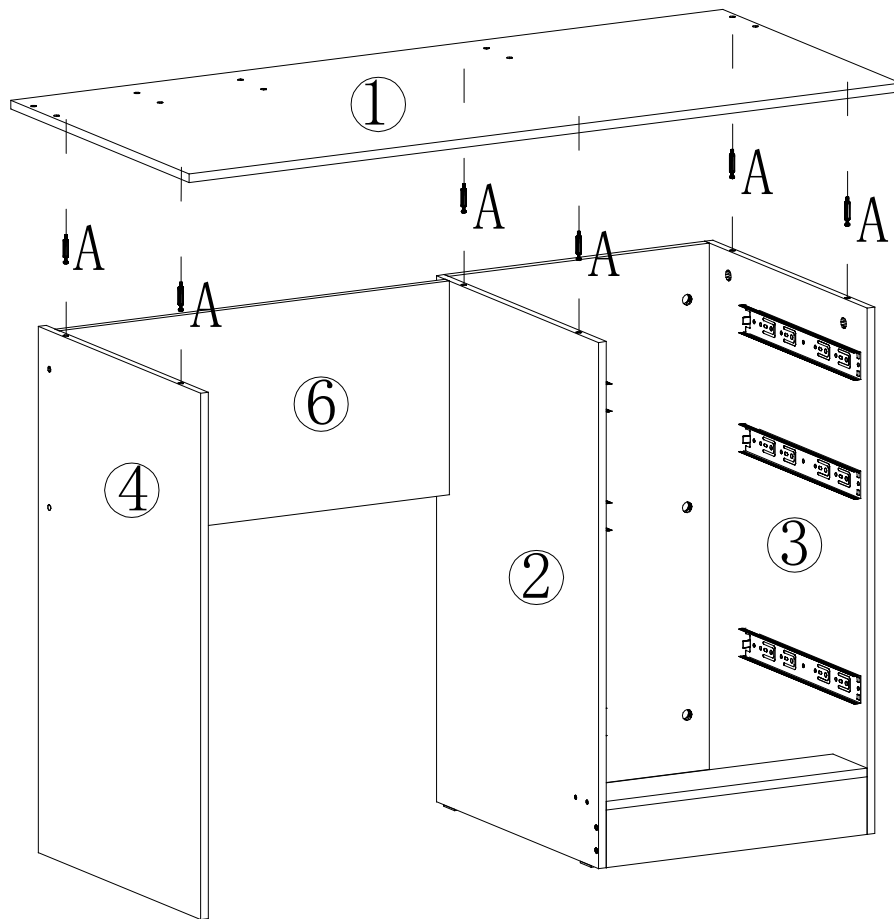
STEP 20



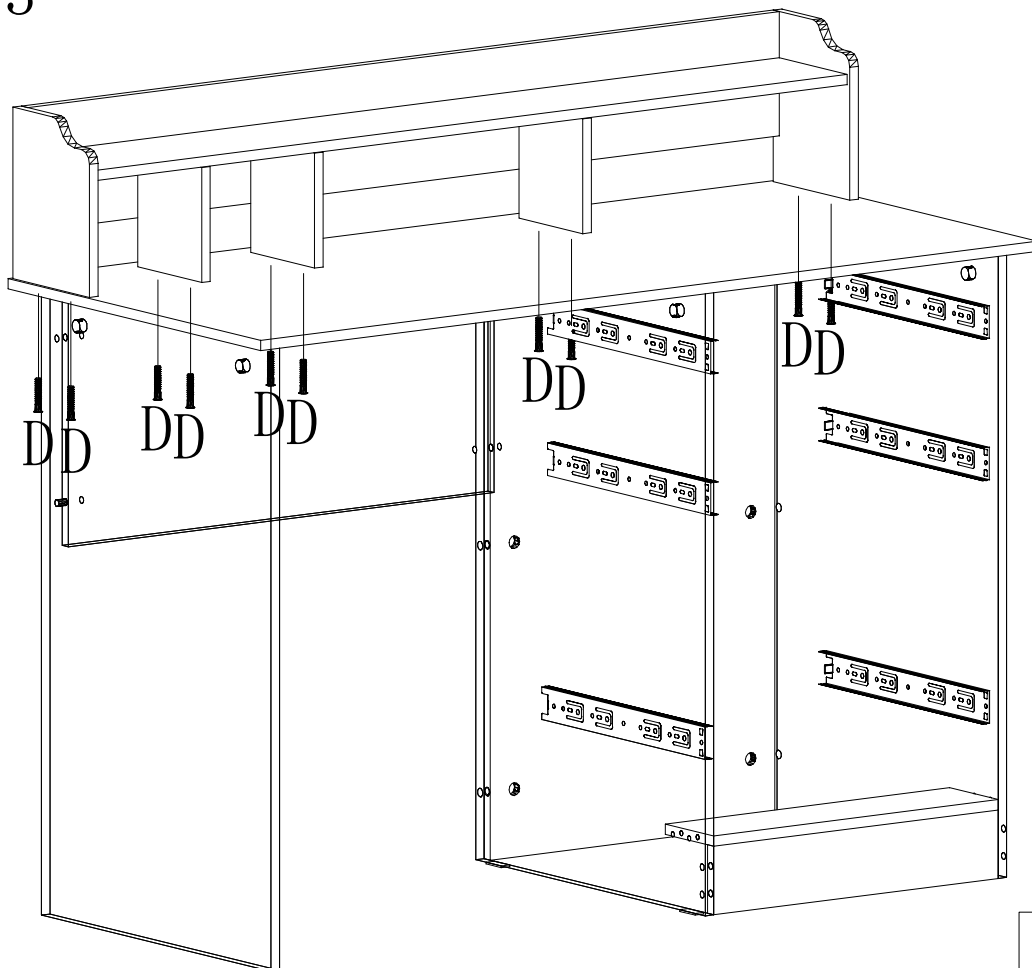
STEP 21



STEP 22



STEP 23



D*10 PCS

STEP 24

