

see what Delta can do™

BATHROOM FAUCET

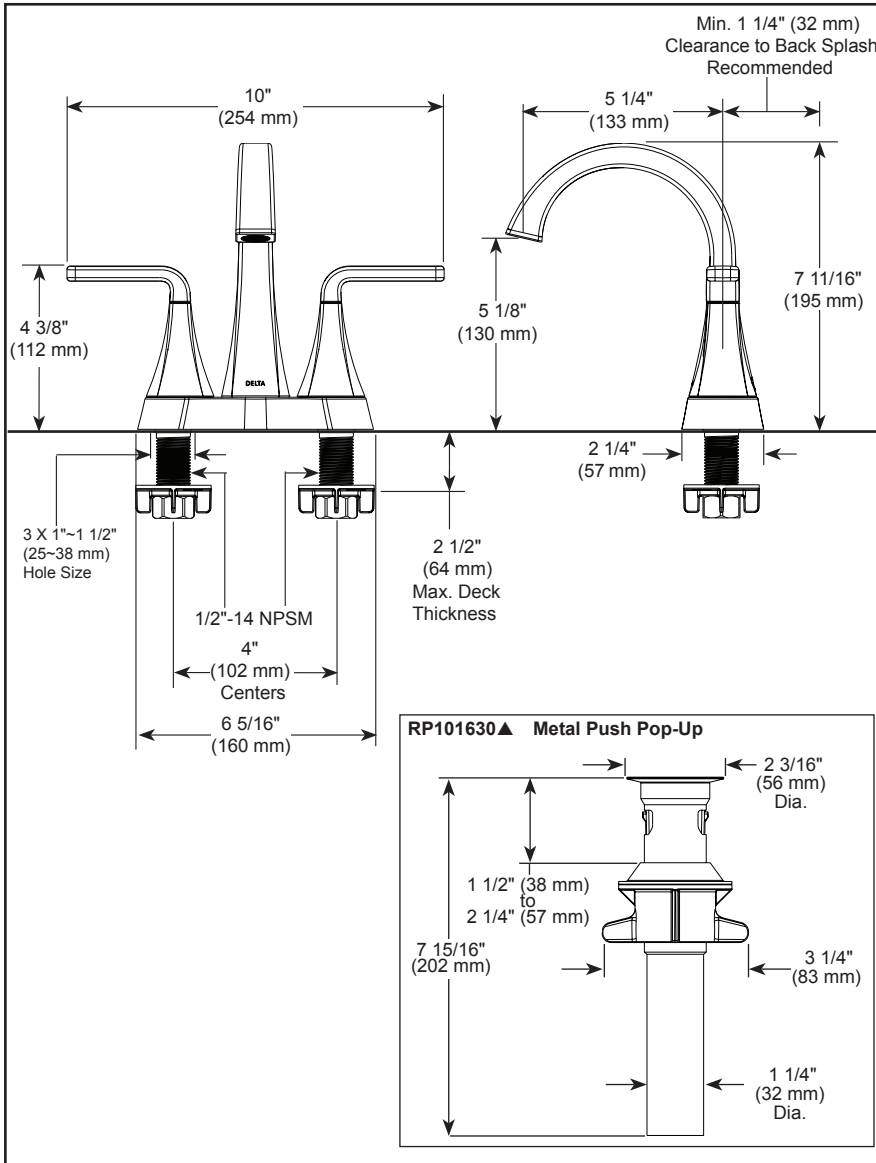
- Lineax™ Bath Collection
- Two Handle Deck Mount

STANDARD SPECIFICATIONS:

- Max flow rate 1.2 gpm @ 60 psi, 4.5 L/min @ 414 kPa, laminar type flow
- Order aerator RP73805 for max flow rate 1.0 gpm @ 60 psi, 3.8 L/min @ 414 kPa
- Order aerator RP73806 for max flow rate 0.5 gpm @ 60 psi, 1.9 L/min @ 414 kPa
- Two or three-hole mount
- Hot and cold handle stems are interchangeable
- 1/4 turn handle stops
- 1/2"-14 NPSM threaded male inlet shanks
- Ceramic cartridge
- MPU models have metal drain with pop-up type fitting with plated flange and stopper
- TP models have 50/50 drain with push pop-up type fitting with plated flange and stopper
- Standard mounting deck thickness can be extended by 1 1/4" (32 mm) with RP76691

WARRANTY

- Parts and Finish - Lifetime limited warranty; or for commercial purchasers, 10 years for multi-family residential (apartments and condominiums) and 5 years for all other commercial uses, in each case from the date the product is received by the original purchaser or their authorized representative (installation contractor, etc.).
- Please go to www.deltafaucet.com for the complete details of our limited warranty.



▲ Designate proper finish suffix



COMPLIES WITH:

- ASME A112.18.1/ CSA B125.1
- ASME A112.18.2/ CSA B125.2
- EPA WaterSense®
- ♿ ICC/ANSI A117.1 - Valve control only

Delta Faucet Company reserves the right (1) to make changes in specifications and materials, and (2) to change or discontinue models, both without notice or obligation. Dimensions are for reference only. See current full-line price book or www.deltafaucet.com for finish options and product availability.

DSP-L-2562LF-MPU Rev. D

Delta Faucet Company

55 E. 111th Street, Carmel, IN 46280
350 South Edgeware Road, St. Thomas, ON N5P 4L1
© 2025 Delta Faucet Company