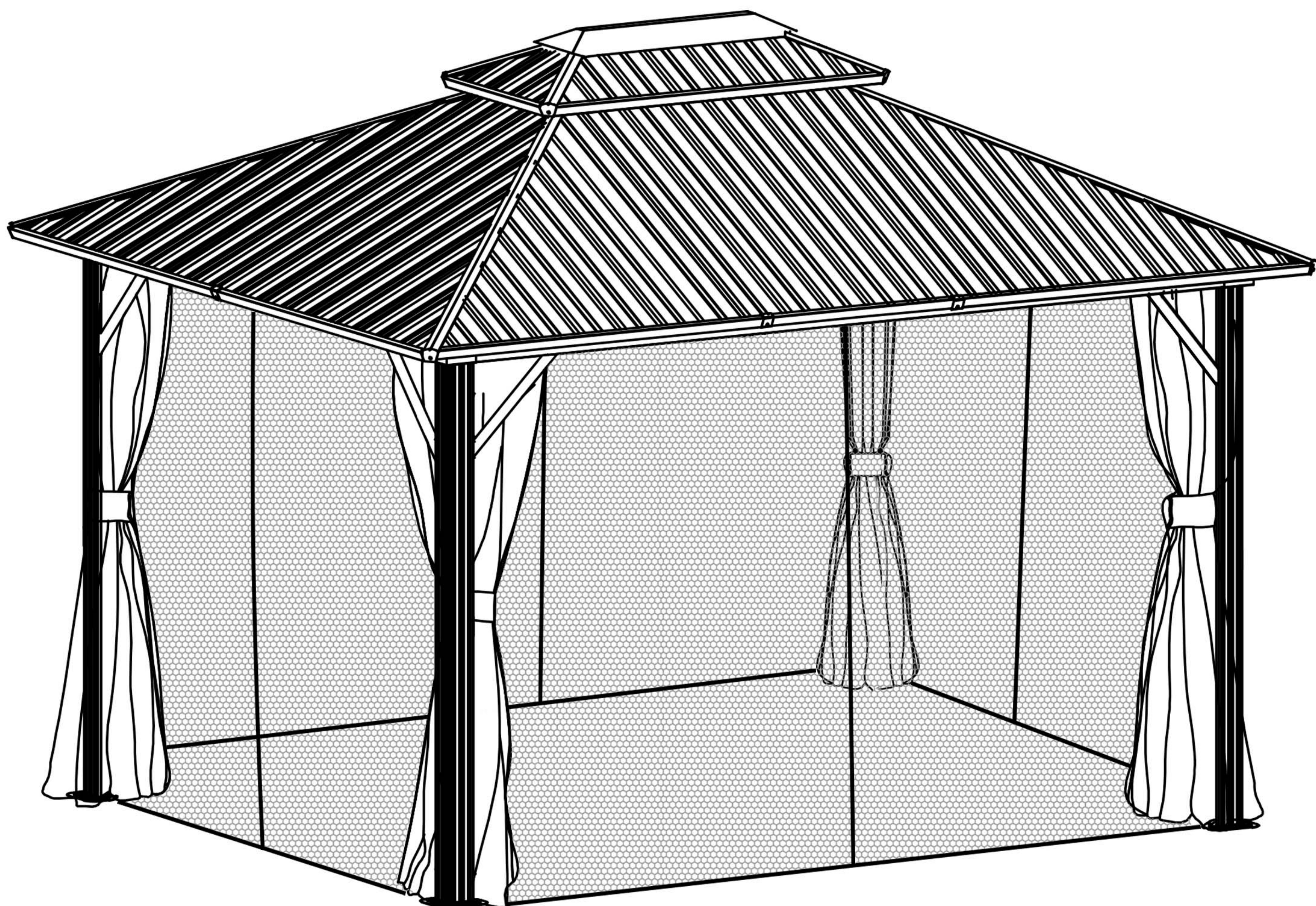


Metal Roof
Aluminum Gazebo

12X14FT

SKU: A001G039-1
A001G039-2
A001G039-3
A001G039-4

ASSEMBLY INSTRUCTIONS



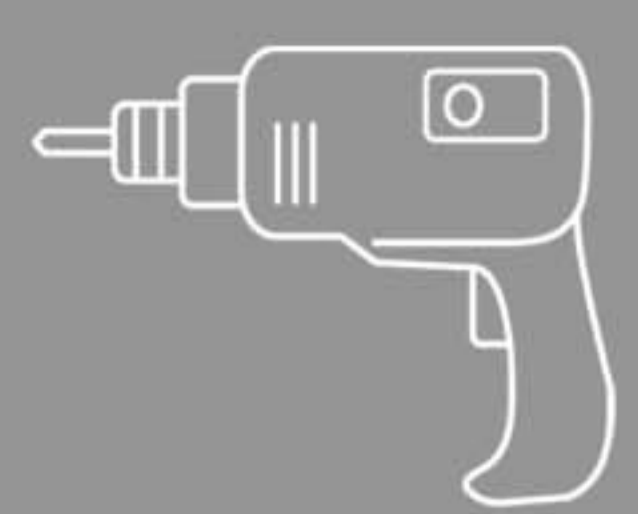
Please check the number of parts in the following accessory catalogue when unpacking. We have sent you more small parts for spare. If there is any missing or any questions about the installation. Please feel free to contact us. We will reply within 24 hours.



E-mail: cs.helper01@gmail.com

TOOLS RECOMMENDED

*NOTE: The recommended tools are not included in boxes and need to be prepared by yourself.



DRILL



RUBBER Mallet



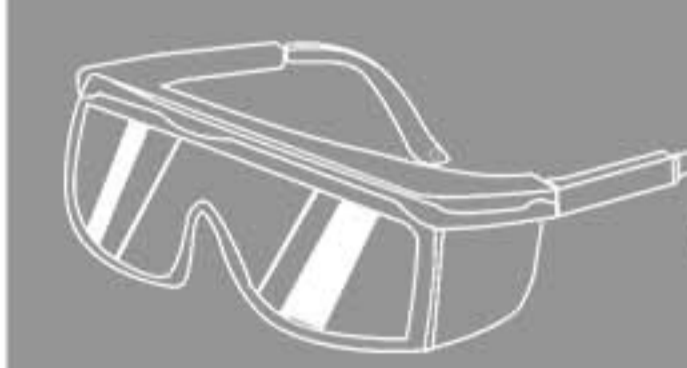
STEPLADDER
(6.5Ft Or More)



SAFETY HAT



GLOVES



SAFETY GOGGLES

ATTENTIONS



Since it is easy to lose many small accessories during the installation, please collect all the screw accessories before the assembly is completed



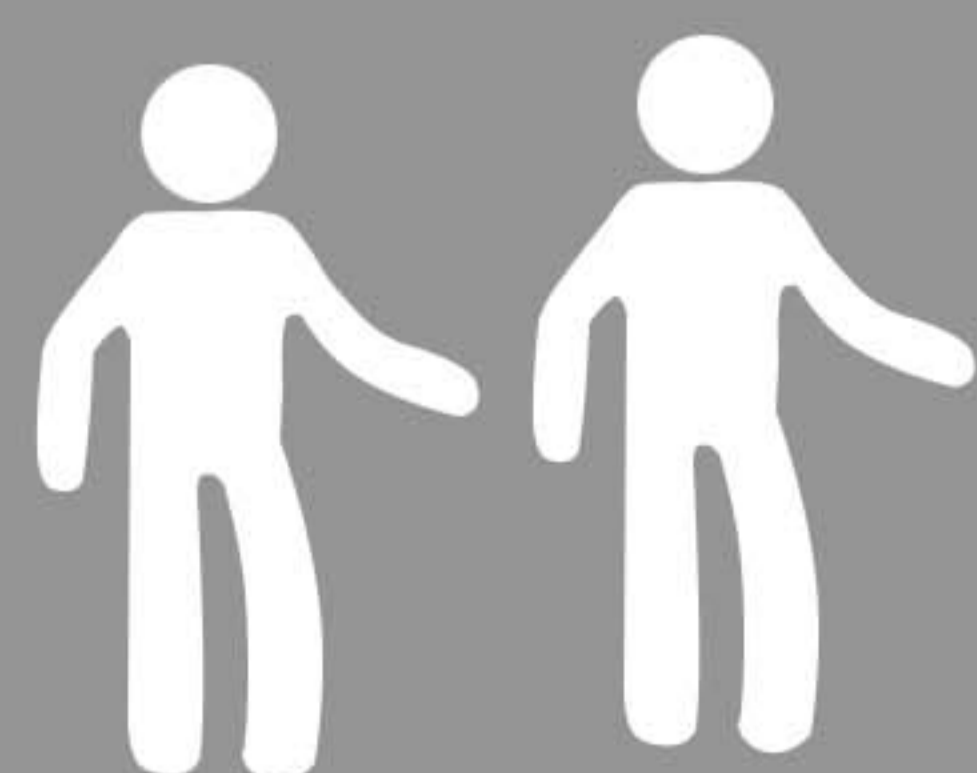
To better align the screws for practical situations, do not fully tighten screws initially



Please reinforced the Gazebo and do not use in heavy winds or inclement weather



Make sure all screws are tightened before use and check all screws, buckles and straps every 90 days



Two or more people are required for assembly



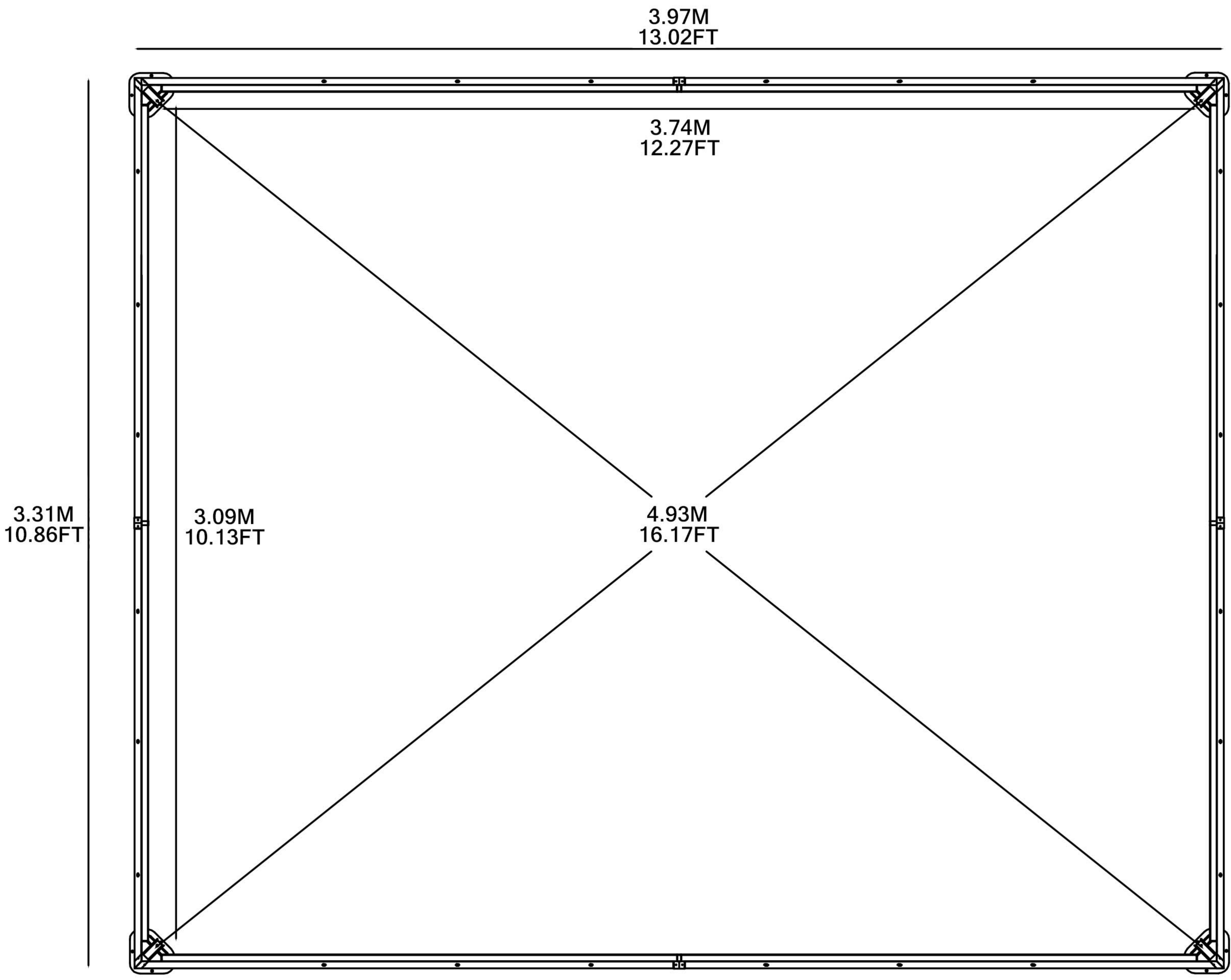
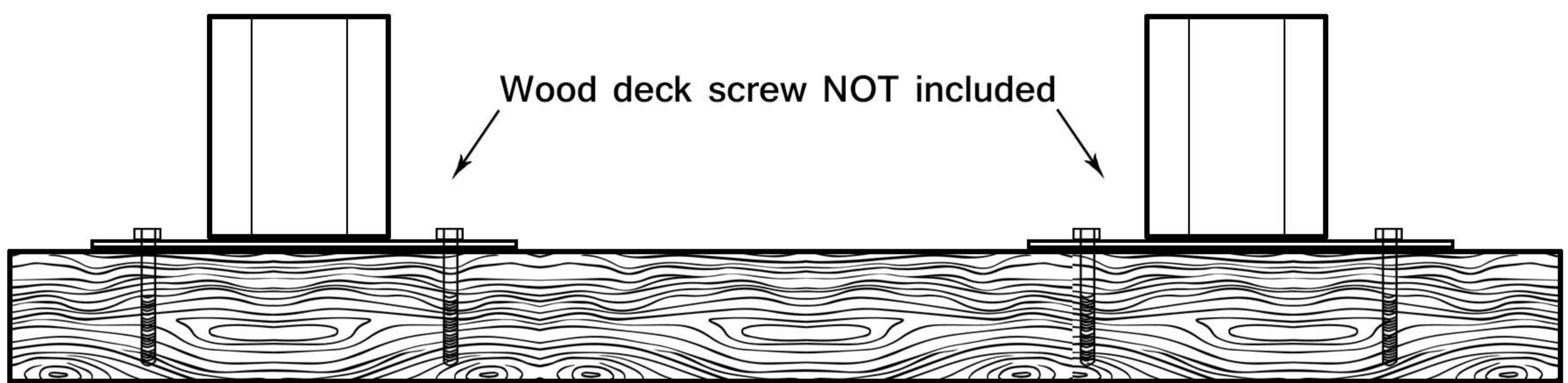
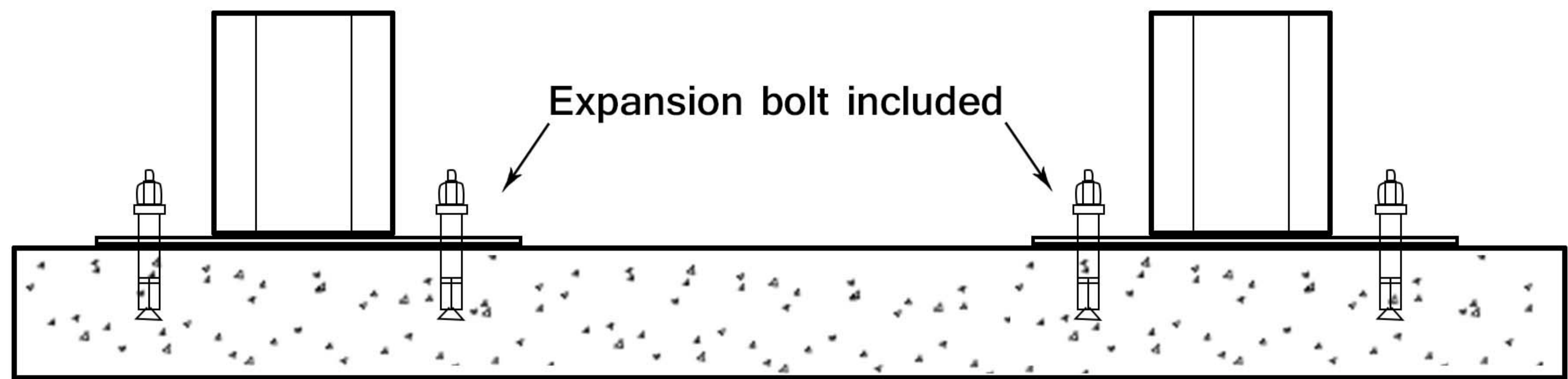
Please clear the snow off the roof in time for the heavy snowfall and do not use it

Please take care of the screws and contact the after-sales service if there is any problem with the installation or parts.



Permanent Installation Examples

Our supporting expansion screws can only be used for cement floors, customers need to bring their own special screws if they are used for wood floors



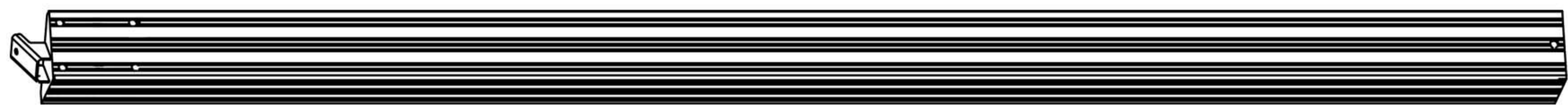
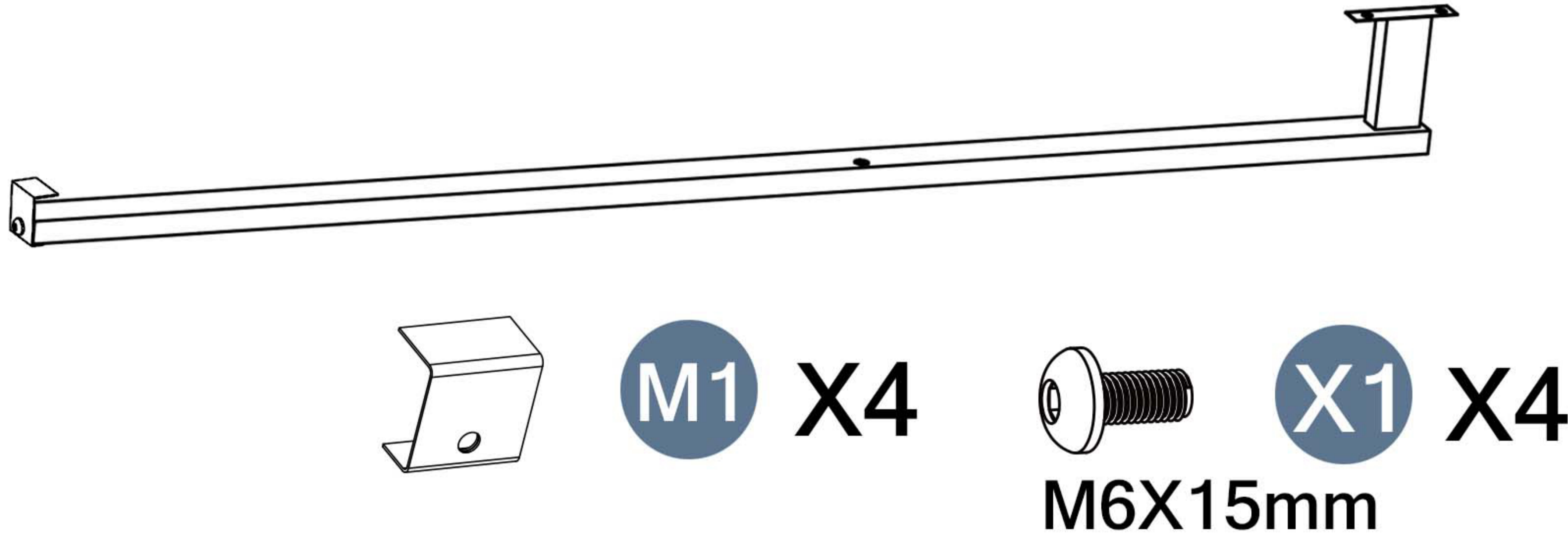
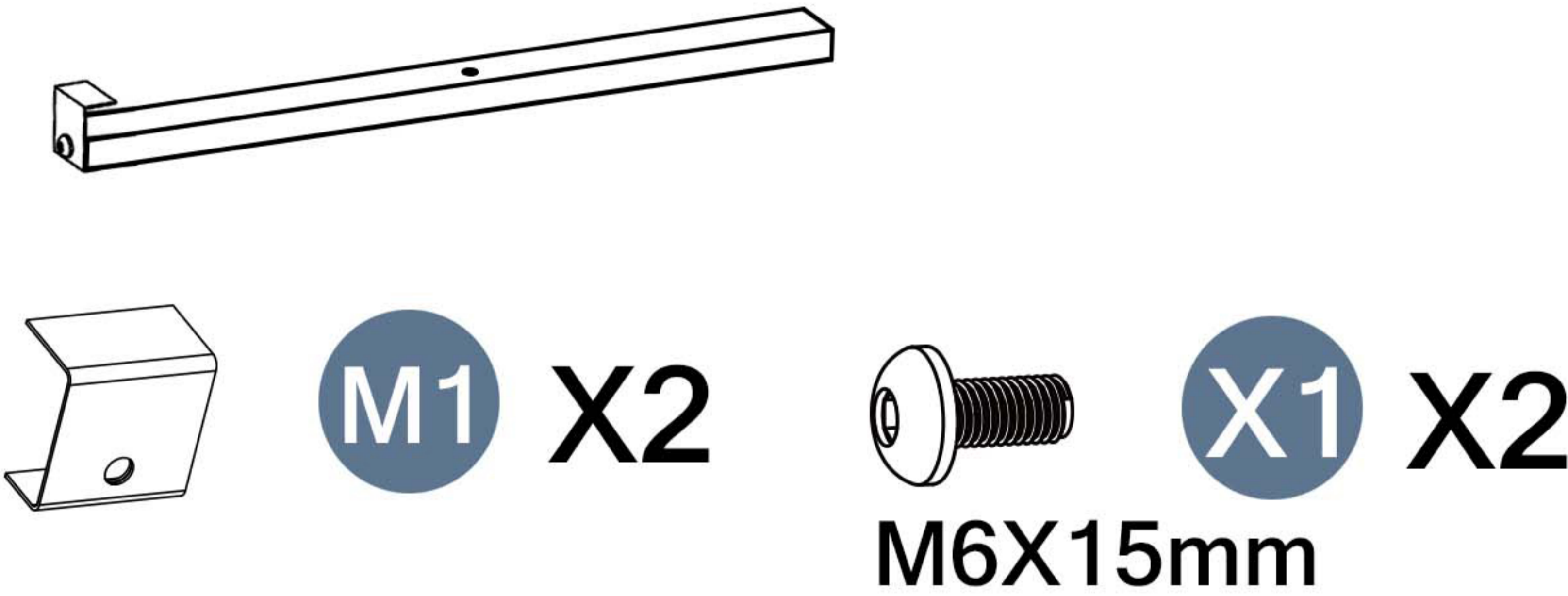
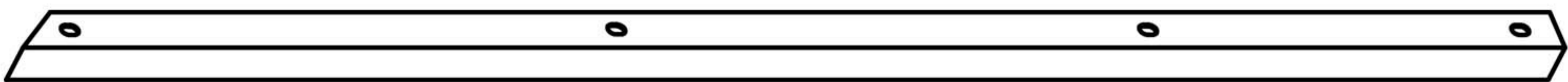
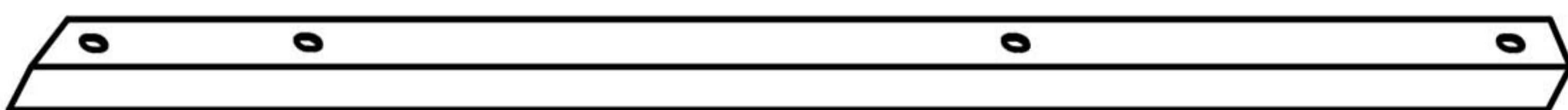

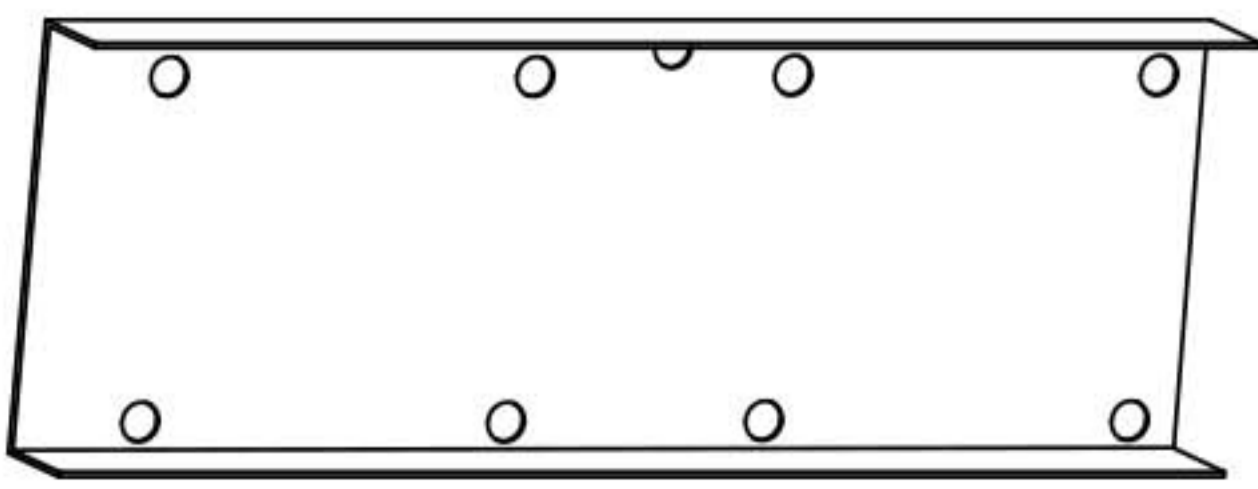
Please take care of the screws and contact the after-sales service if there is any problem with the installation or parts.

➔ ✉ E-mail: cs.helper01@gmail.com

ACCESSORY CATALOGUE

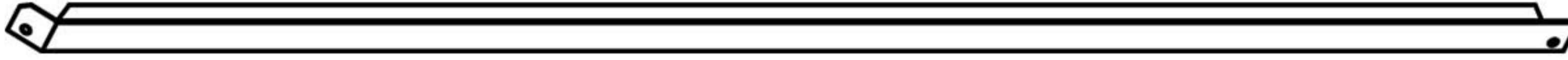



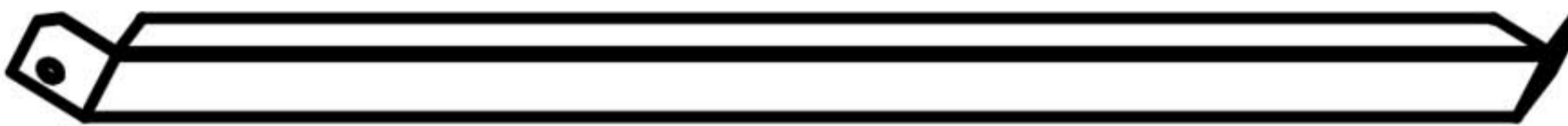



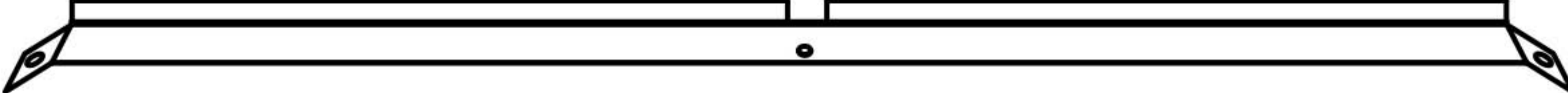
BOX 1

SKU: A001G039-1

Item no.	Reference Image	Qty.
A		4
D		4
D1	<p>There are 2 D tubes without M1</p> 	4
H		4
I		4
L		4
P		4

Please take care of the screws and contact the after-sales service if there is any problem with the installation or parts.

ACCESSORY CATALOGUE

Item no.	Reference Image	Qty.
G1		2
G2		2
G3		2
G4		2
G5		2
G6		2
G7		2
G8		2
G9		2


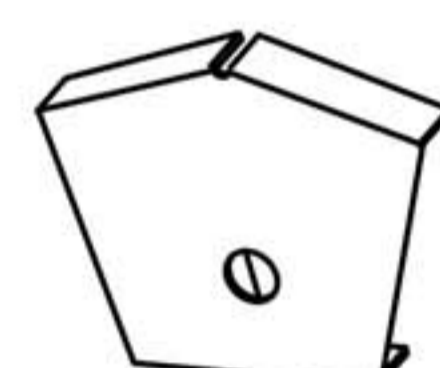

Please take care of the screws and contact the after-sales service if there is any problem with the installation or parts.


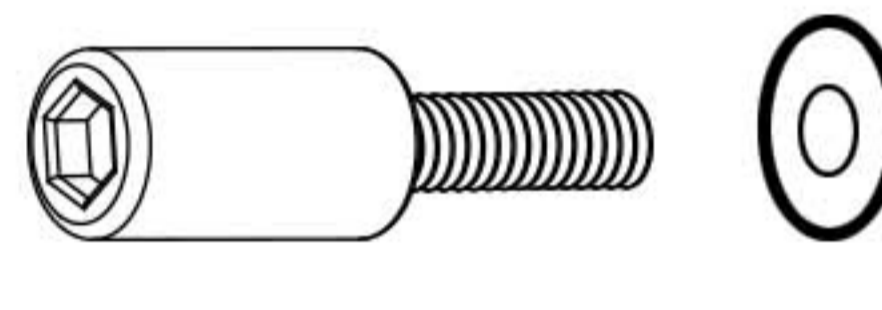
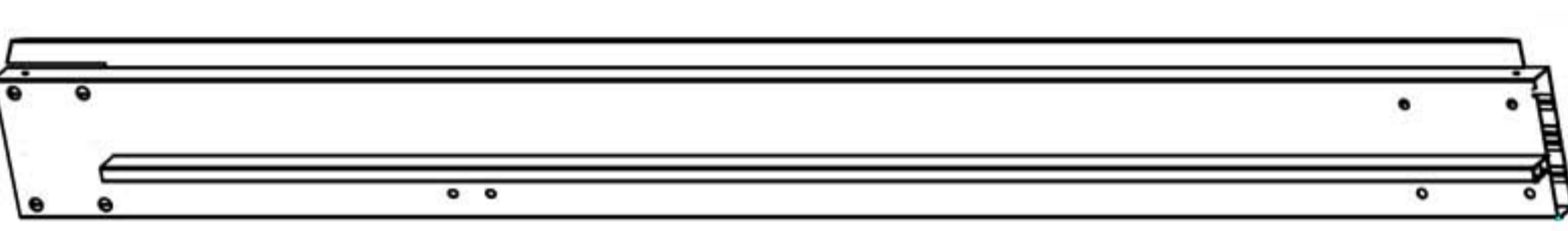
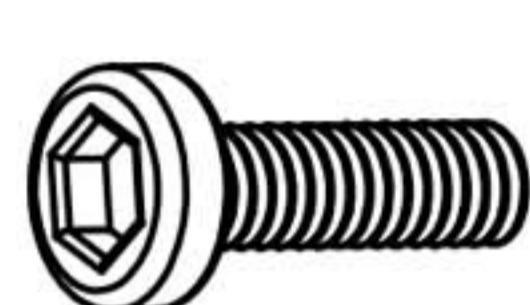
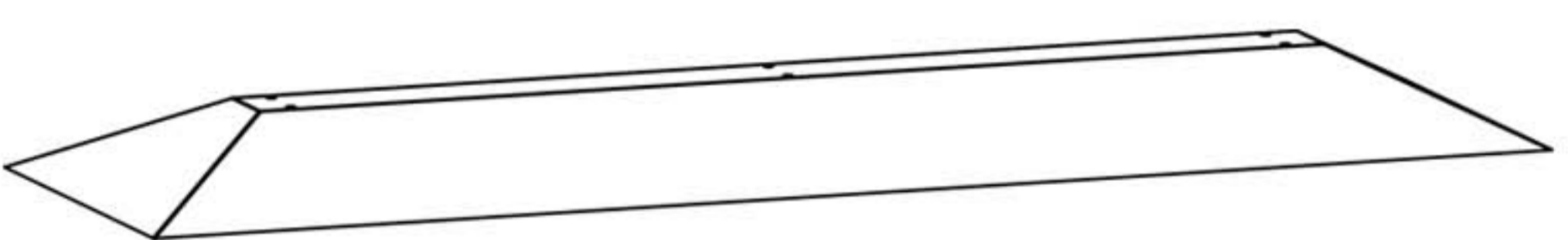

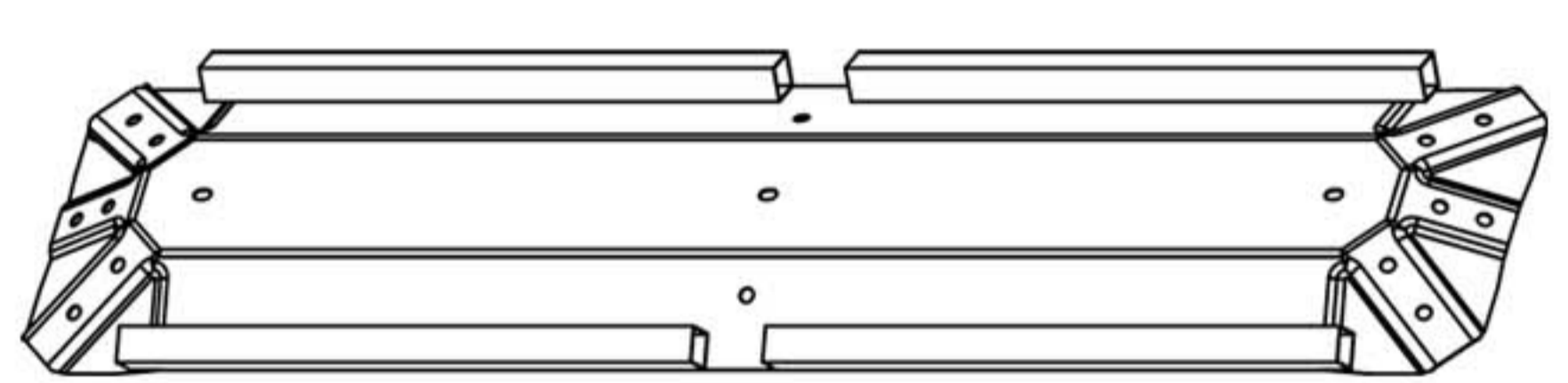
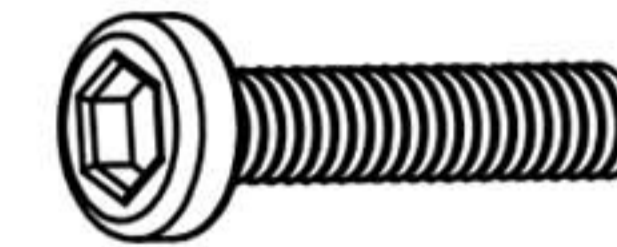
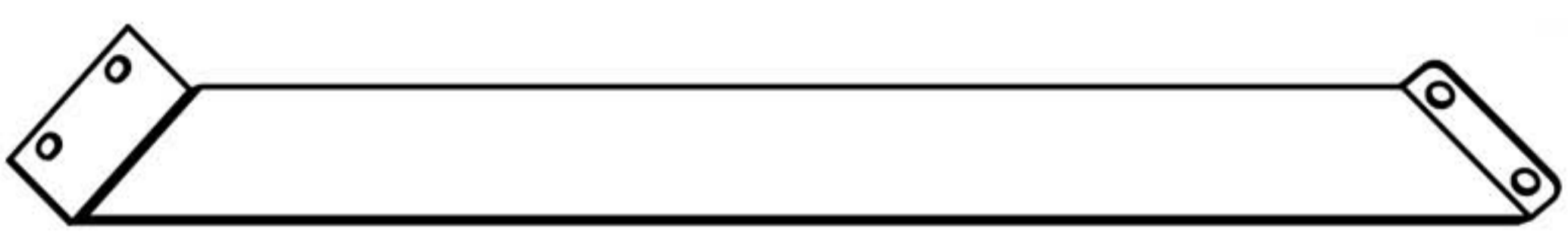
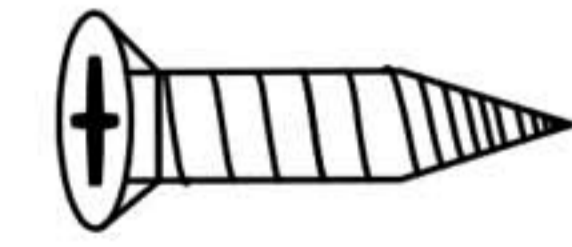
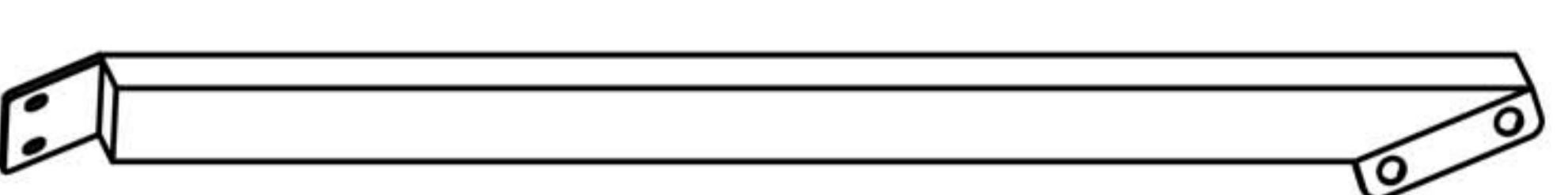
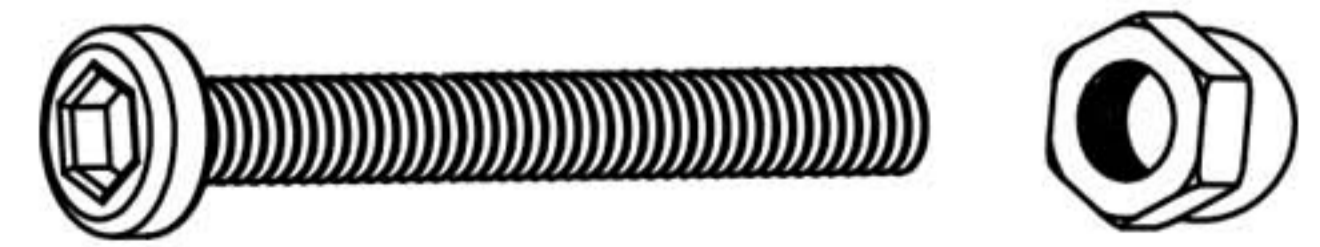
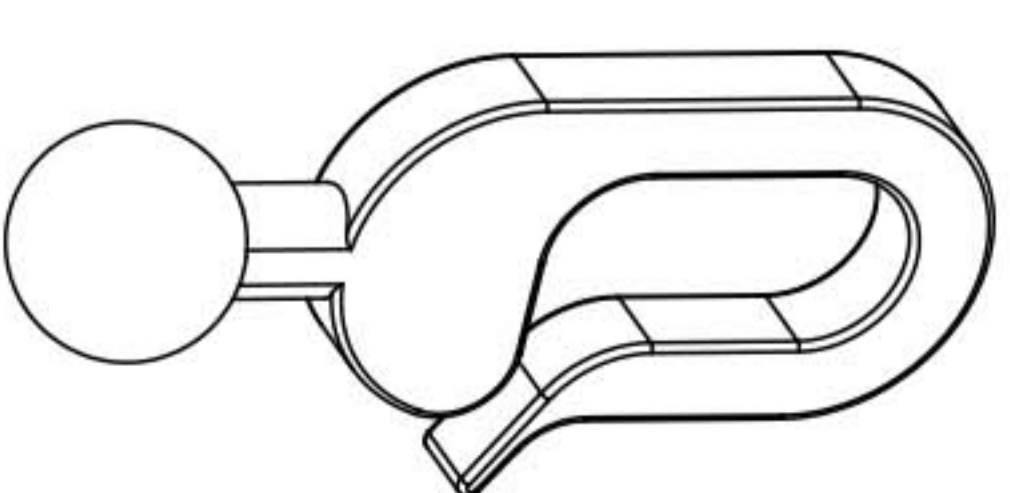
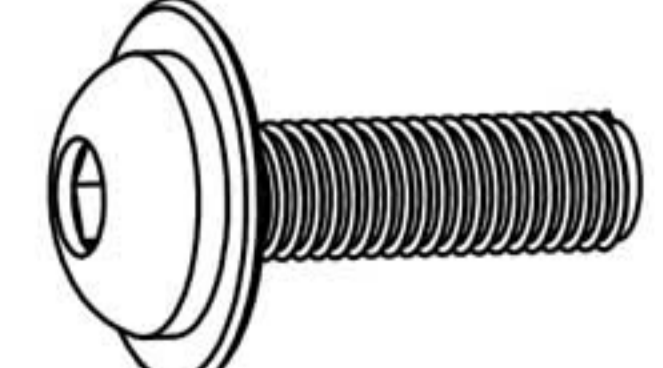
➔ ✉ E-mail: cs.helper01@gmail.com

ACCESSORY CATALOGUE

BOX 2

SKU: A001G039-2


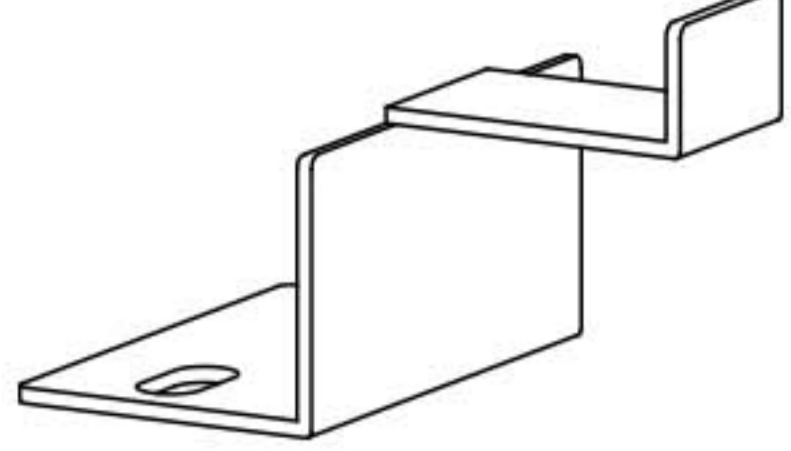
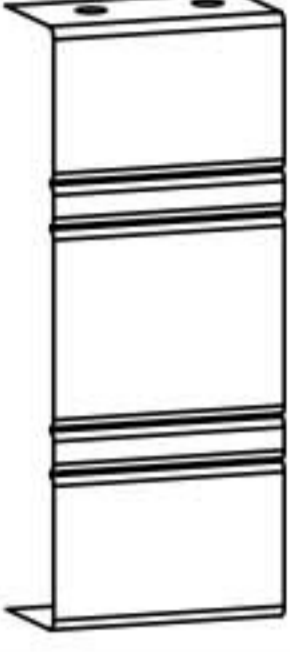
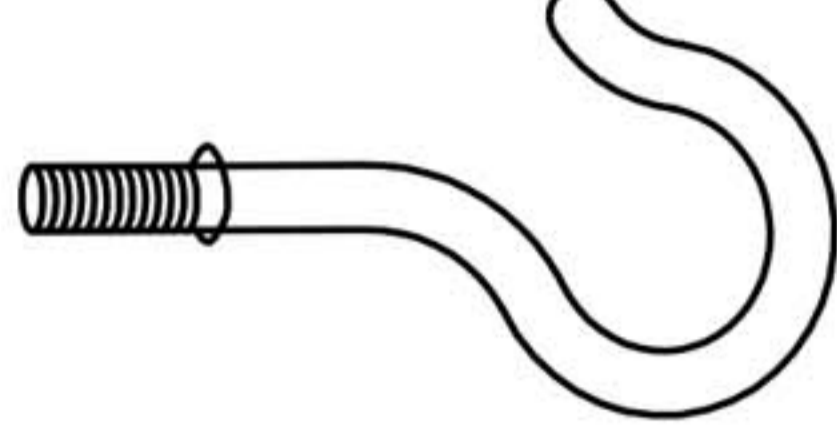
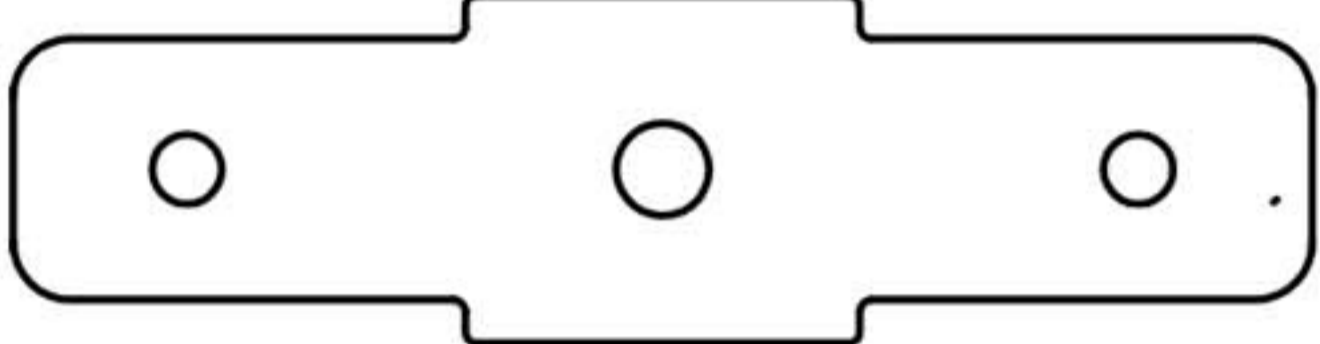
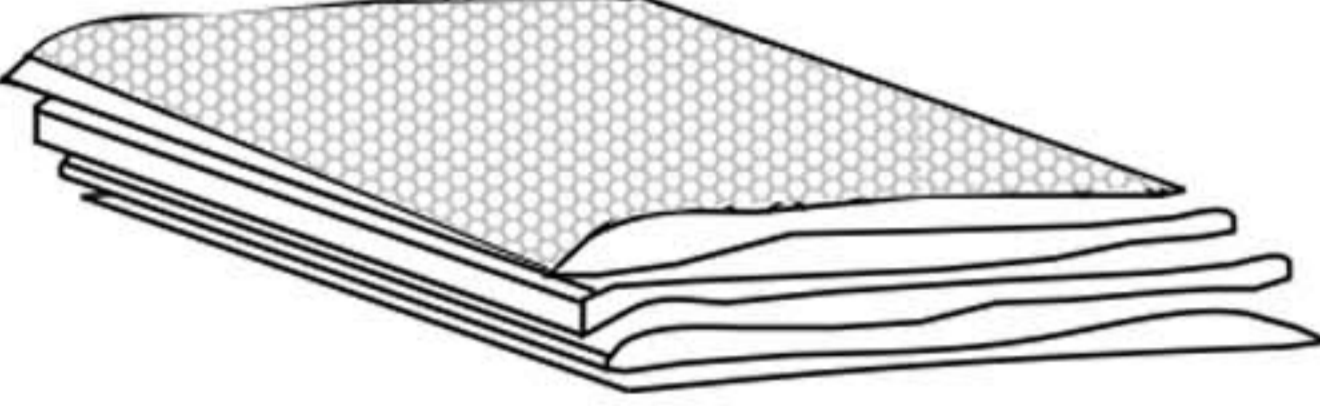
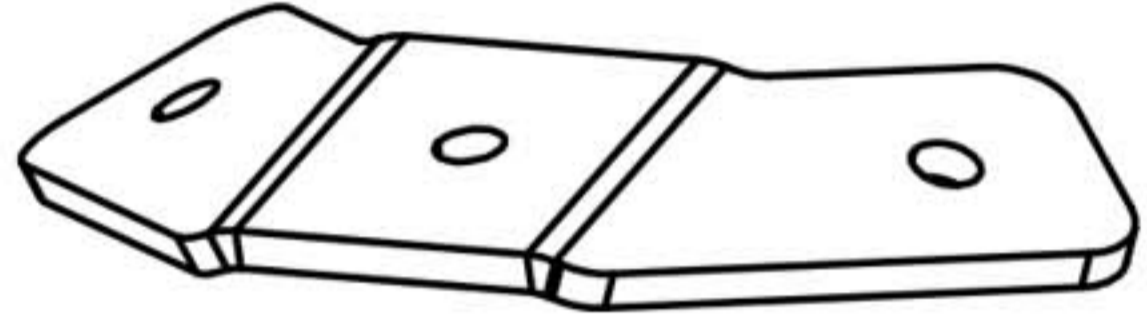

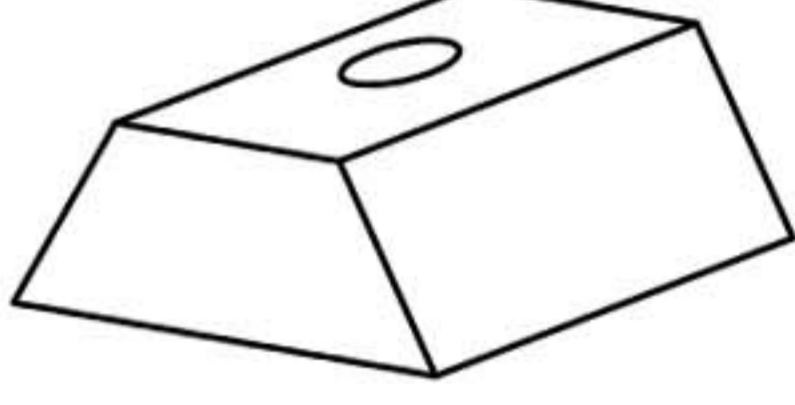
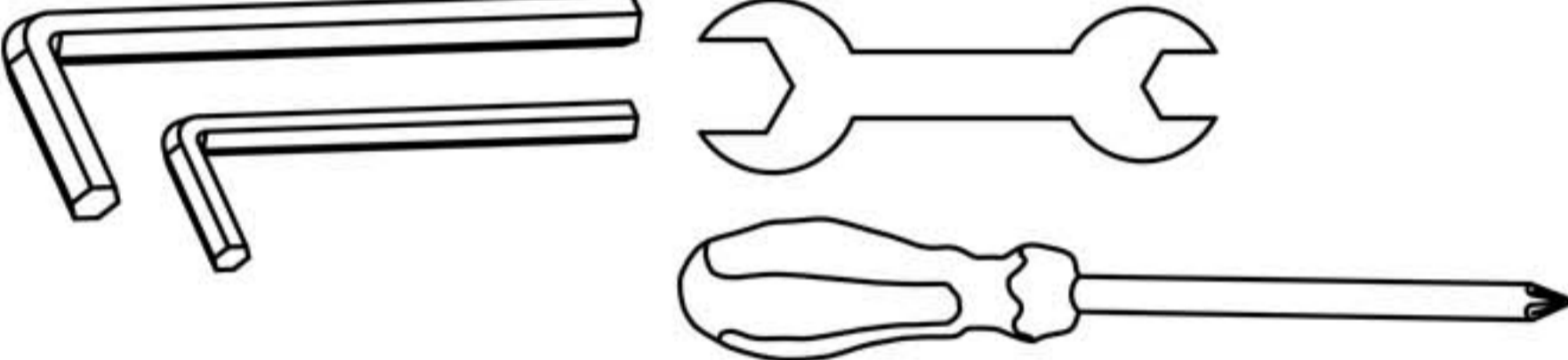
Item no.	Reference Image	Qty.
E1	  M2 X4  X1 X4 M6X15mm	4

Item no.	Reference Image	Qty.	Item no.	Reference Image	Qty.
C		2	X	 M6X10mm	32
C1		2	X1	 M6X15mm	119
K		1	X2	 M6X20mm	24
K1		1	X3	 M6X20mm	4
F		4	X4	 M5X10mm	64
F1		4	X5	 M6X42mm	28
Q		88	X6	 M6X30mm	4

Please take care of the screws and contact the after-sales service if there is any problem with the installation or parts.

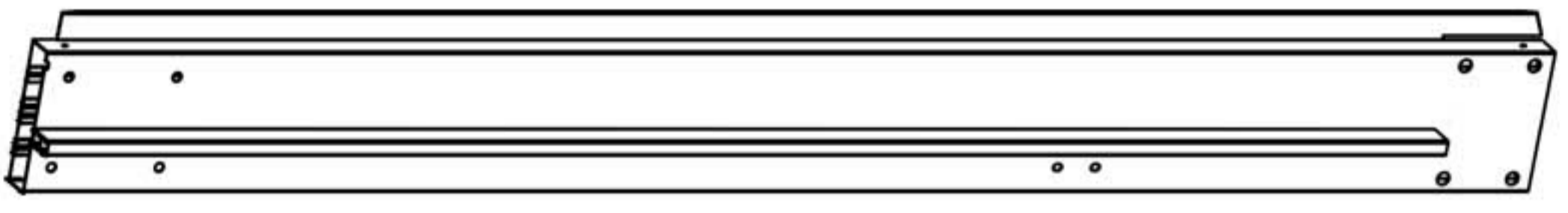

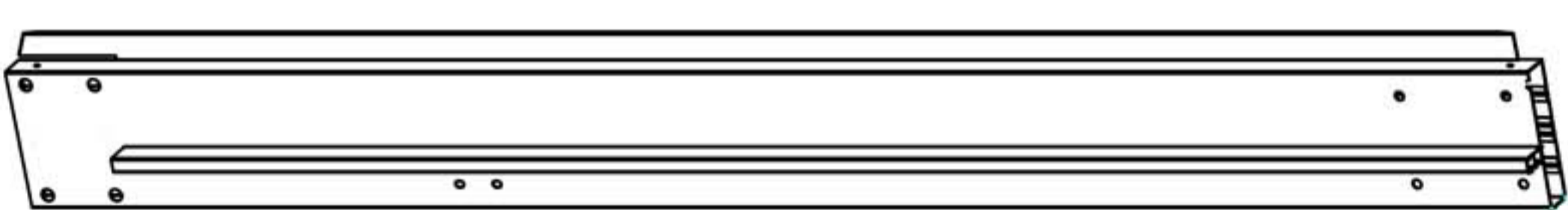
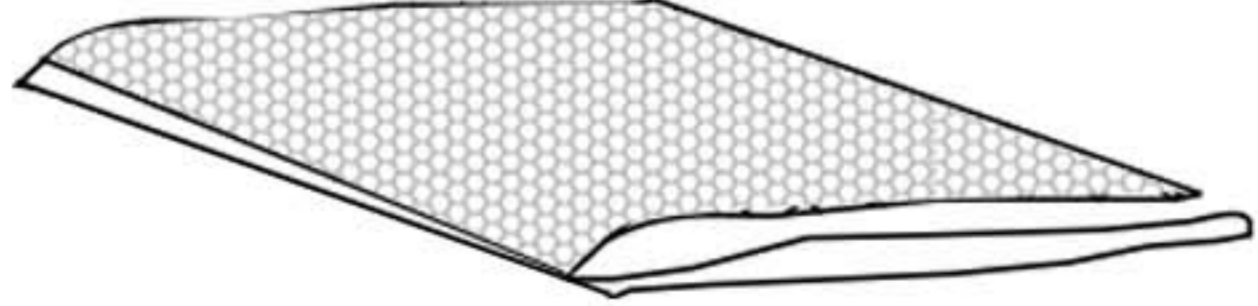



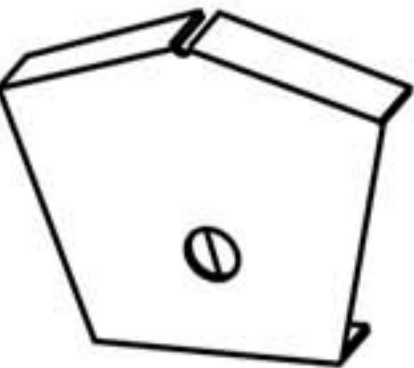
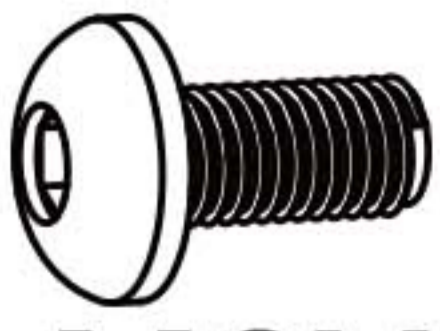
ACCESSORY CATALOGUE

Item no.	Reference Image	Qty.	Item no.	Reference Image	Qty.
J1		4	M6		4
J2		4	M7		2
M3		4	Z1		1
M4		4	2		8
M5		52	1		1

BOX 3

SKU: A001G039-3

Item no.	Reference Image	Qty.	Item no.	Reference Image	Qty.
B		2	Z		1
B1		2	Z2		1

Item no.	Reference Image	Qty.
E	  M2 X4  X1 X4 M6X15mm	4


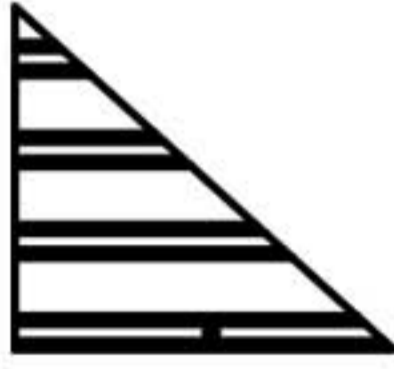
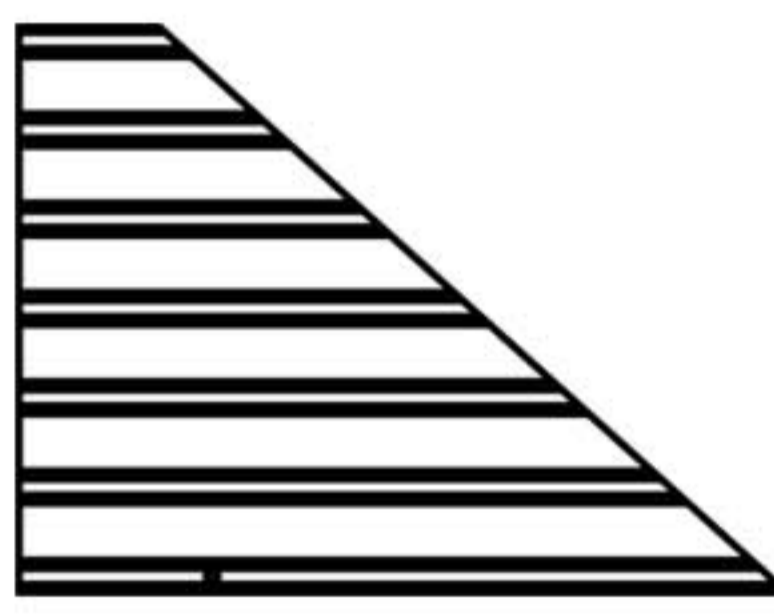
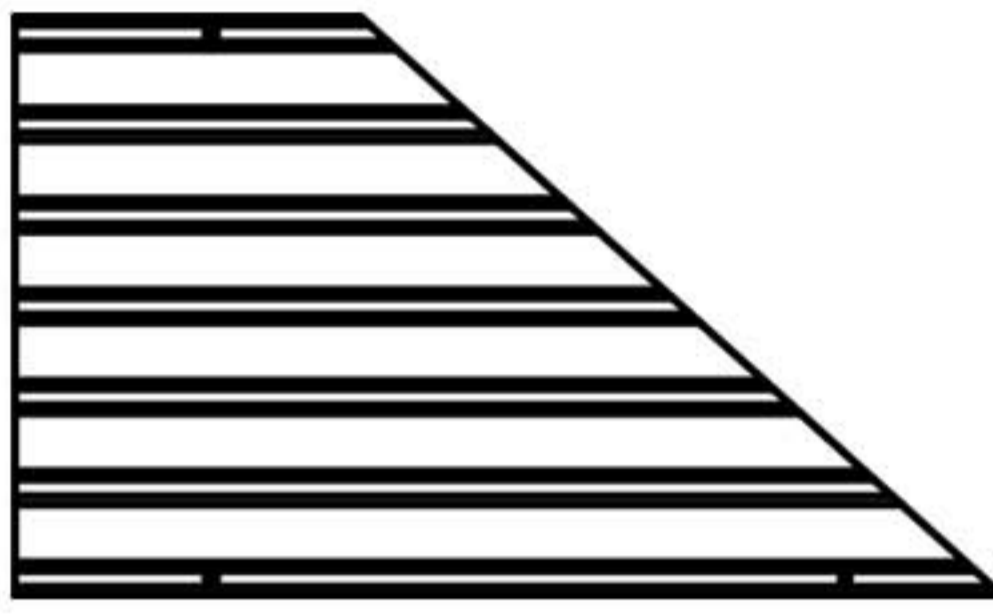

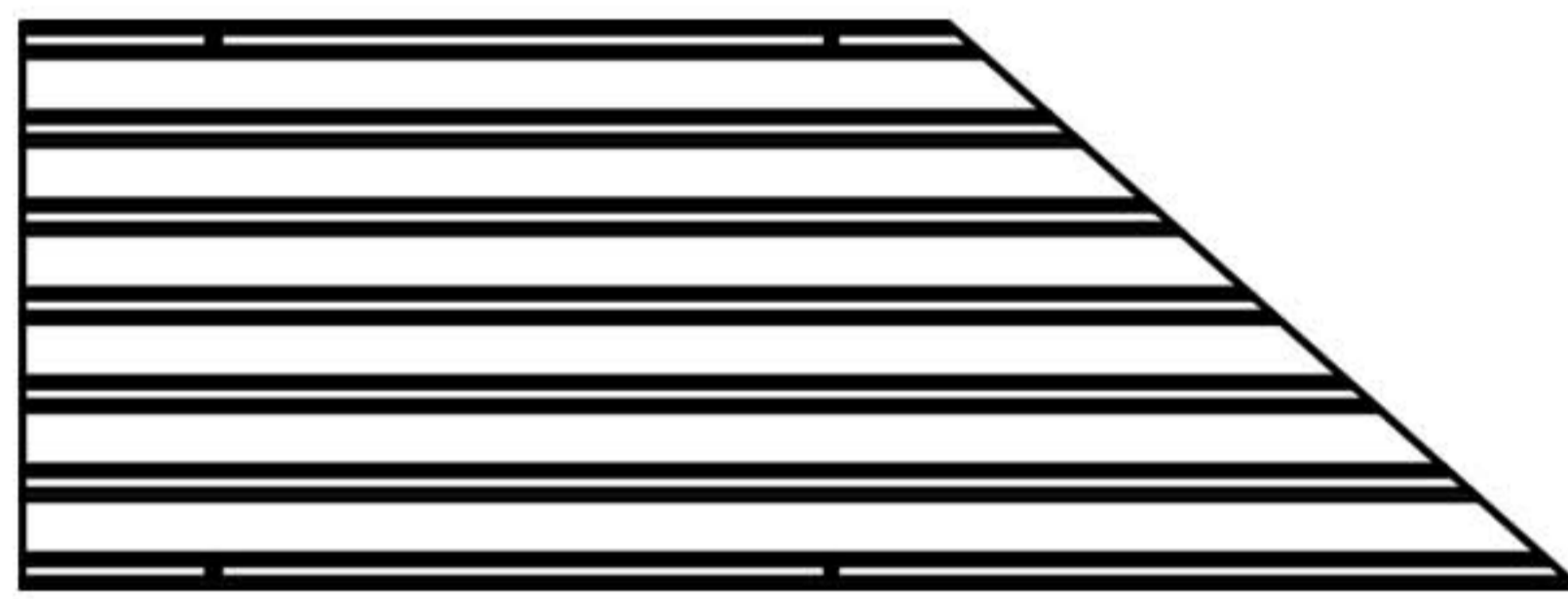
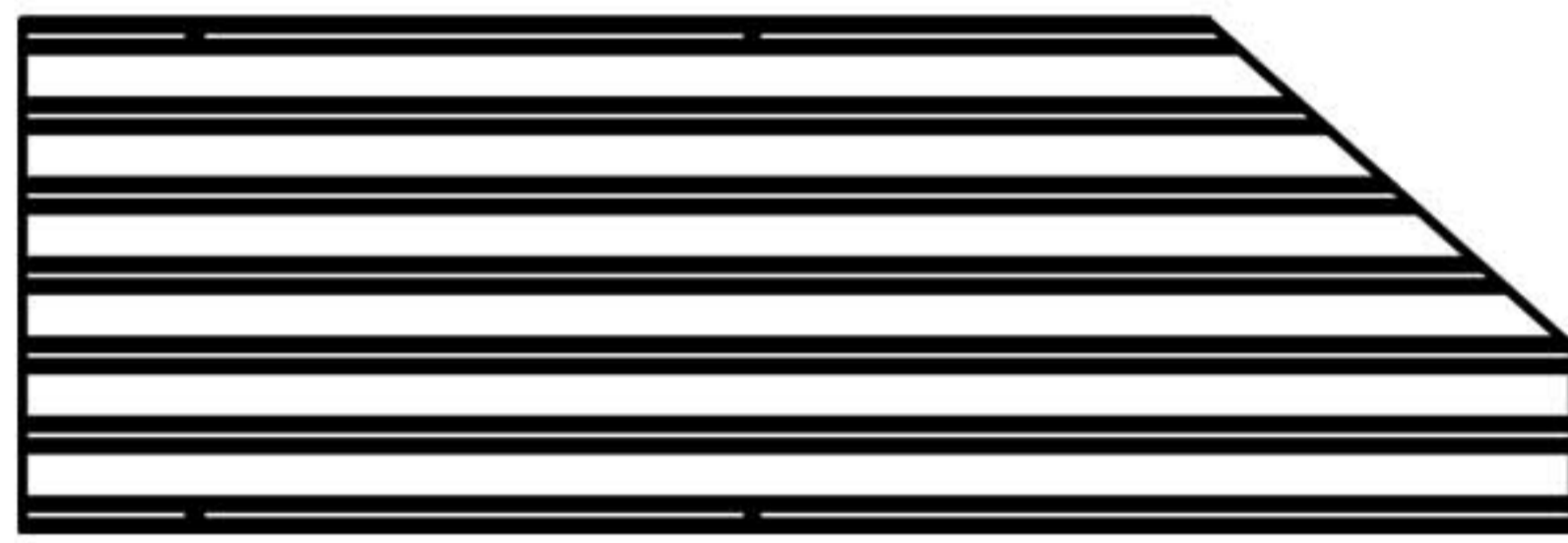
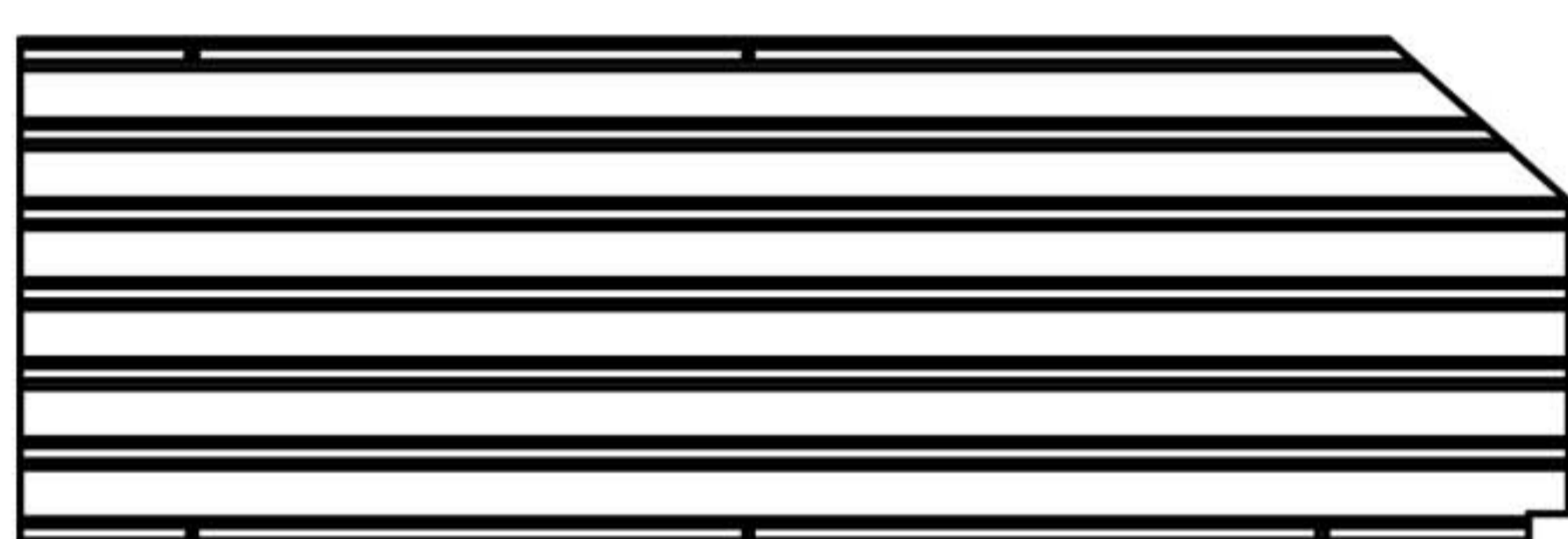
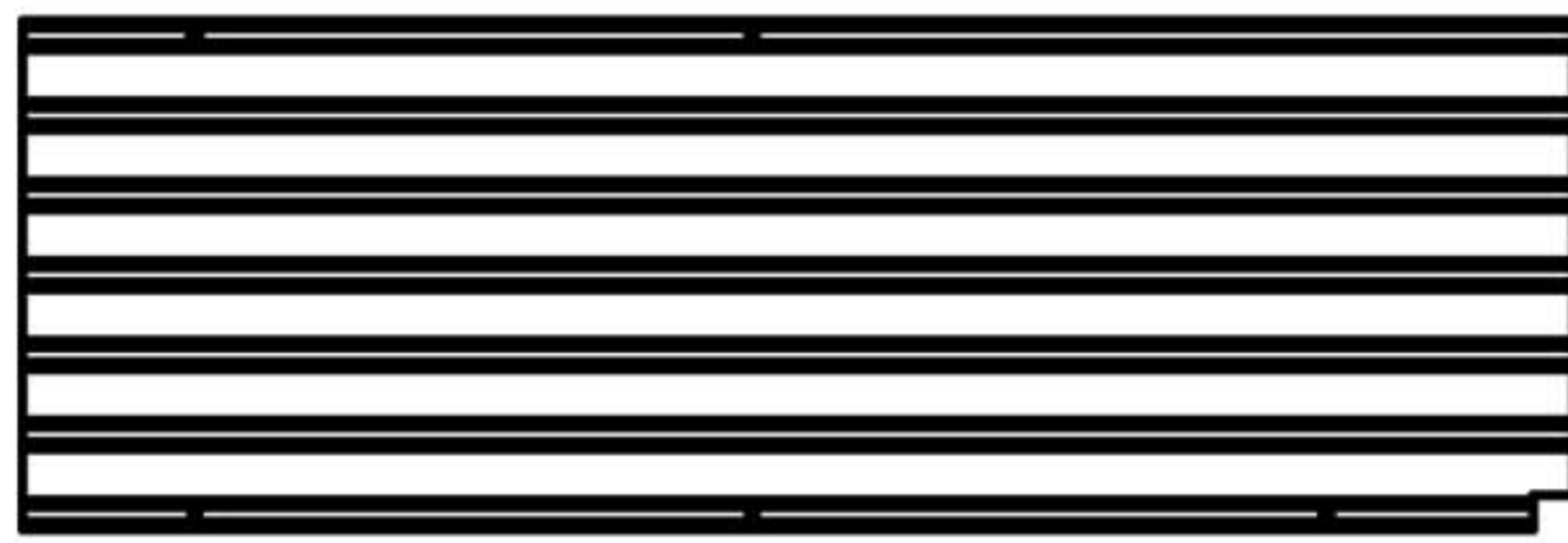
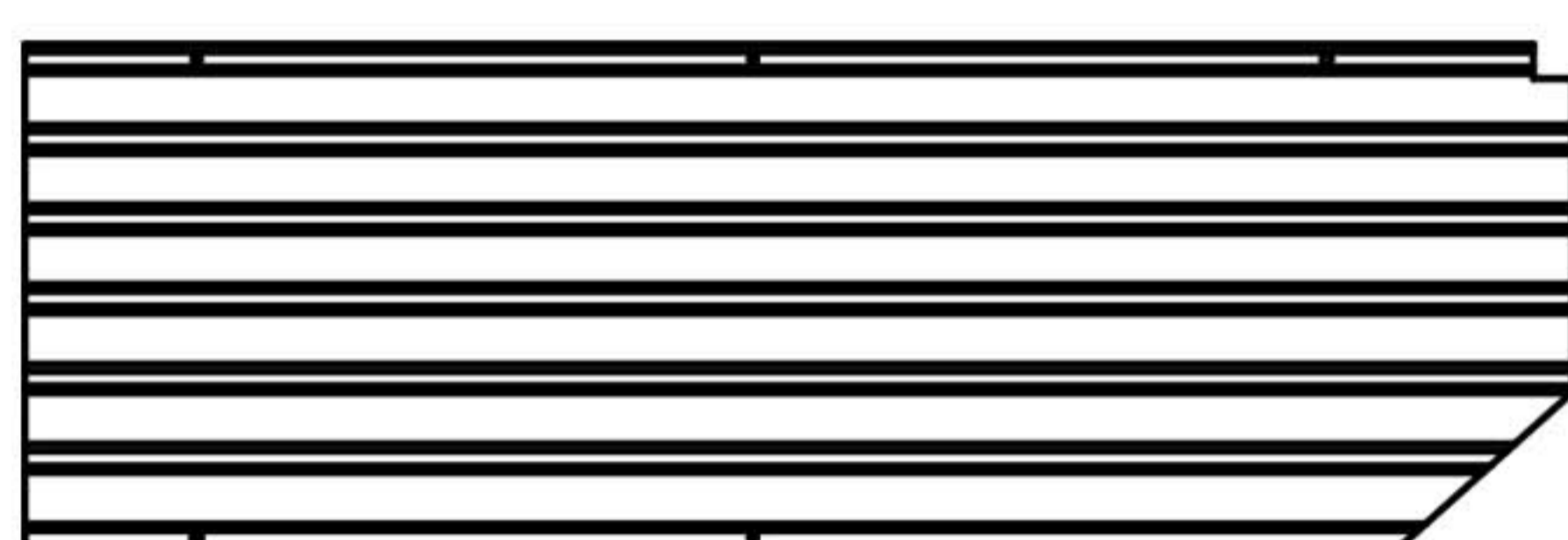
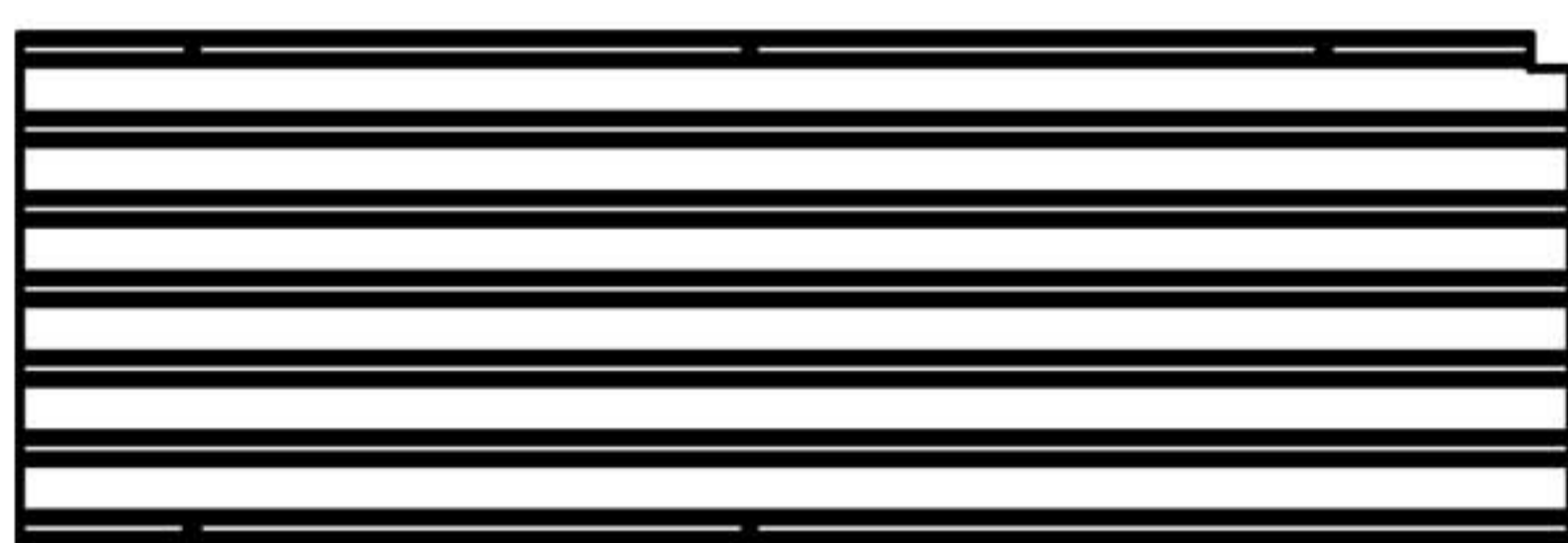

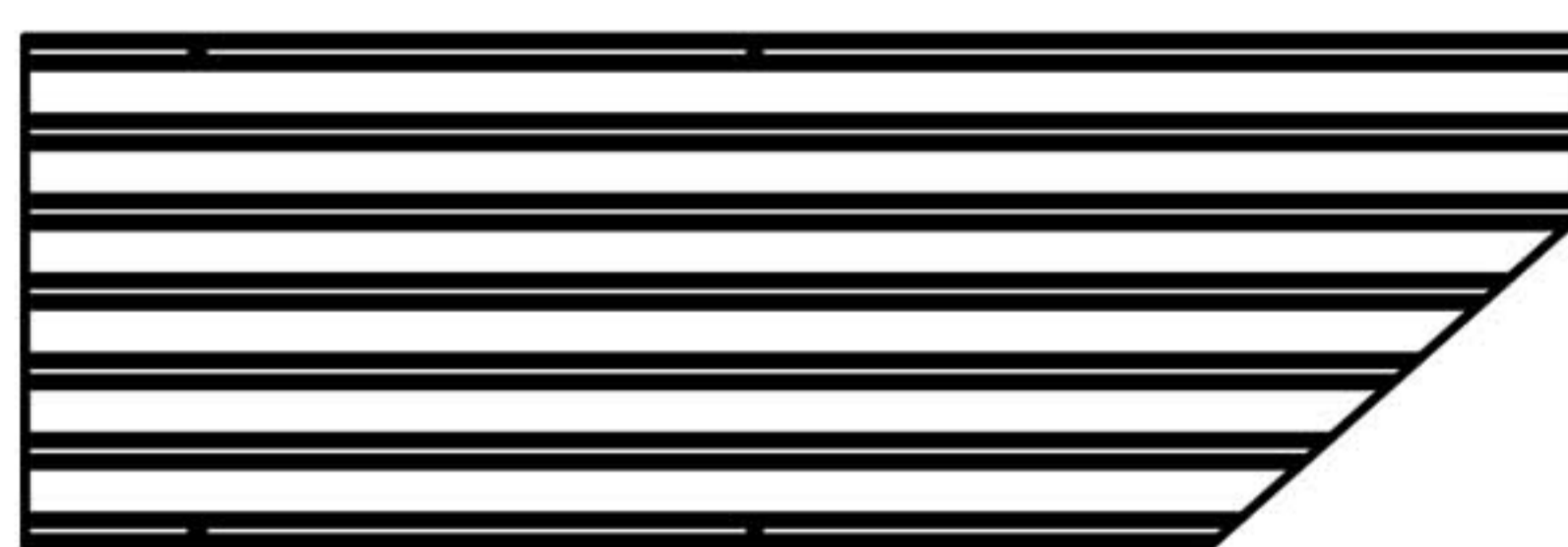
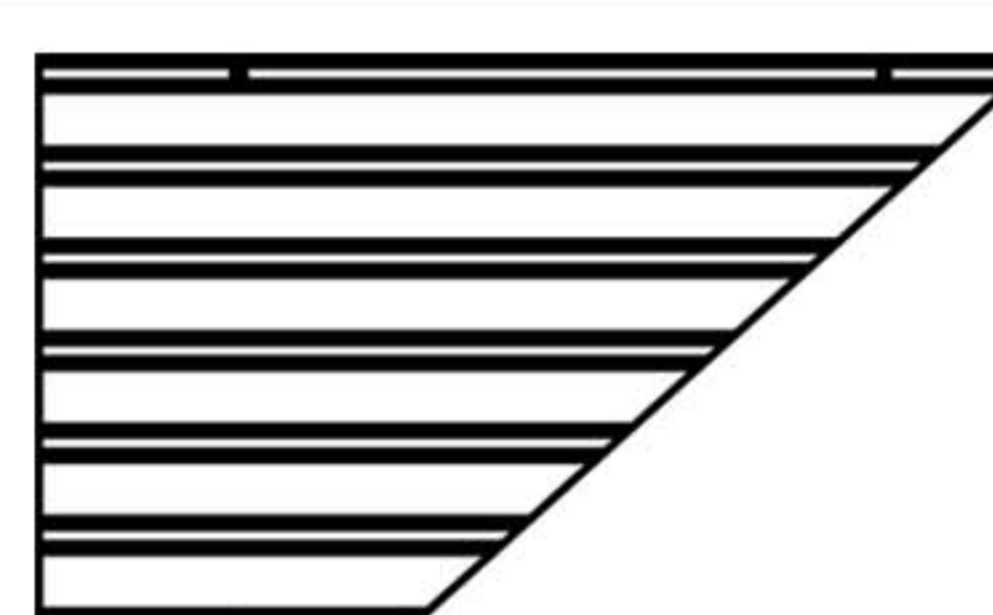
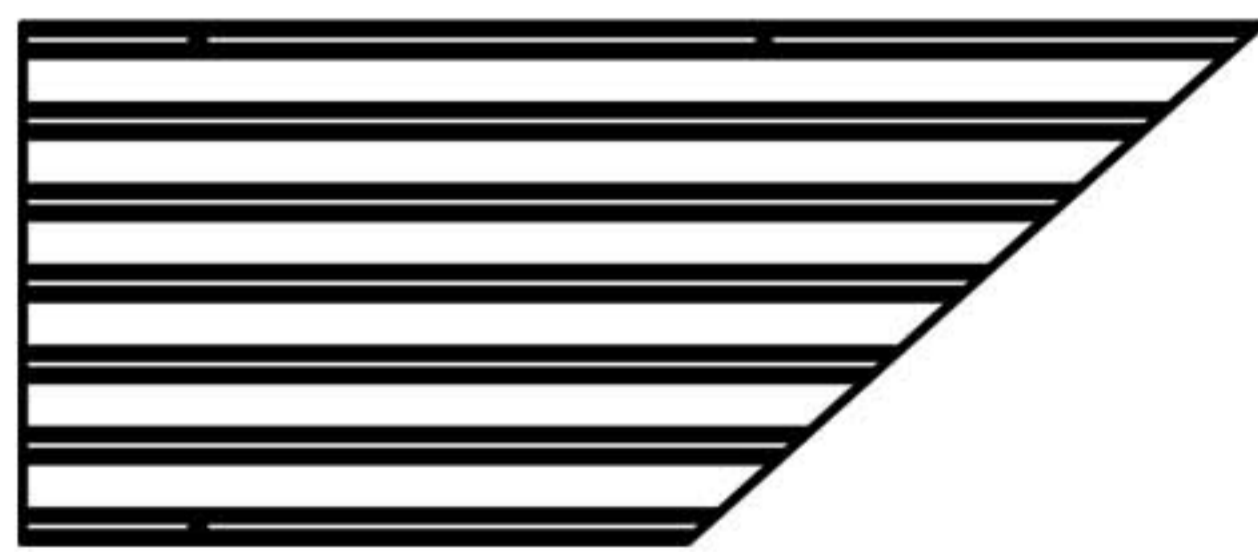

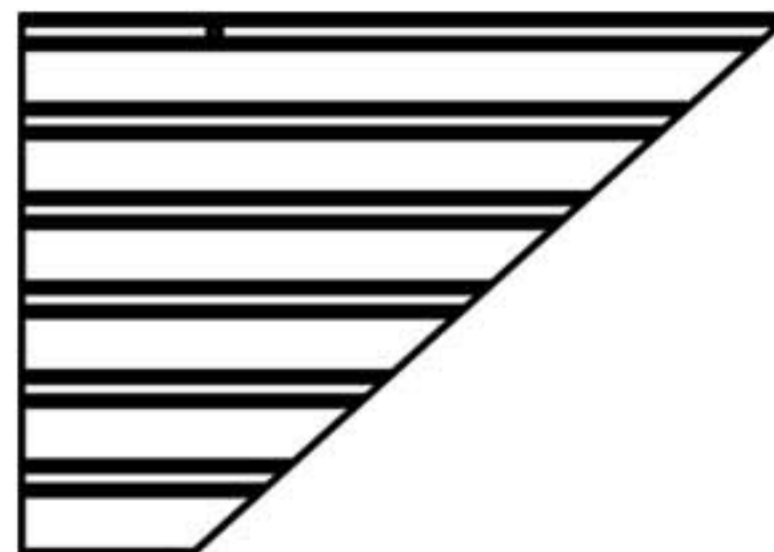

Please take care of the screws and contact the after-sales service if there is any problem with the installation or parts.

➔ E-mail: cs.helper01@gmail.com

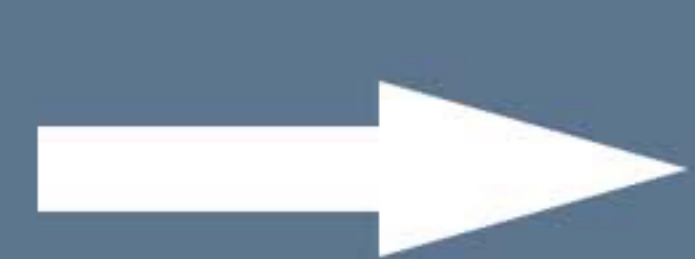
ACCESSORY CATALOGUE

BOX 4

SKU: A001G039-4

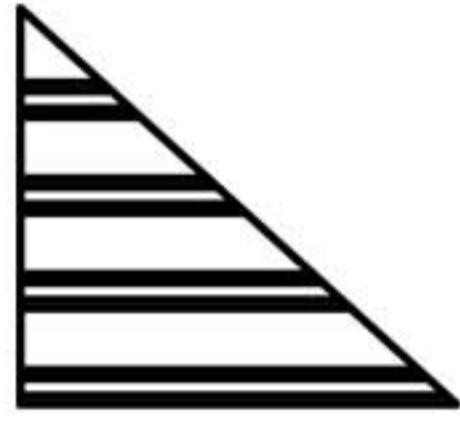
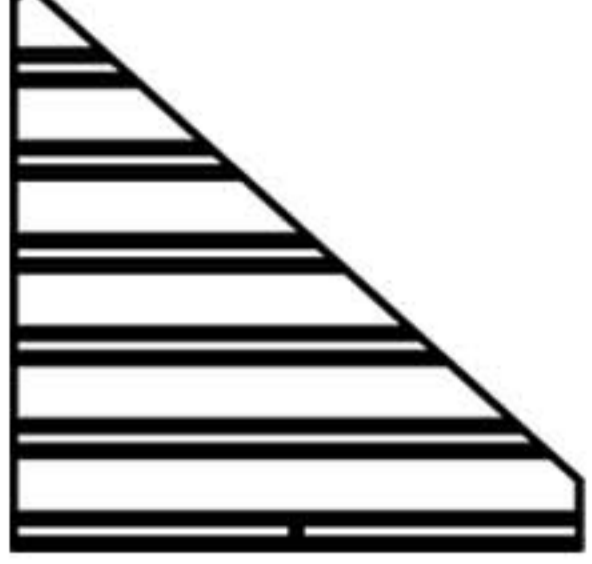
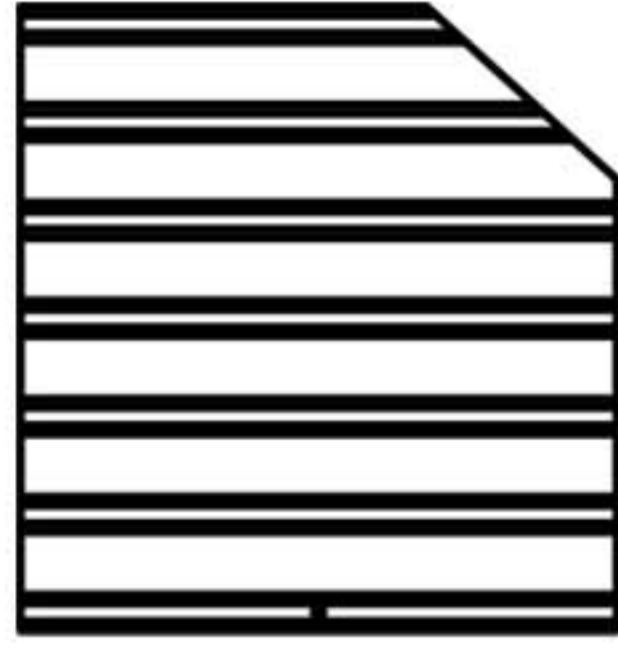
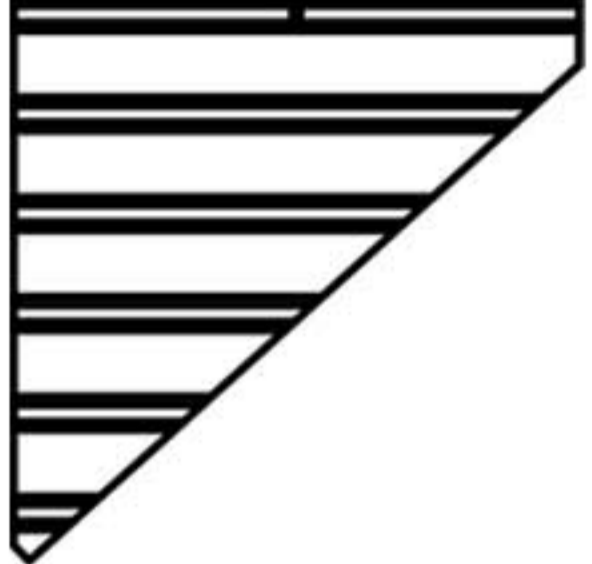
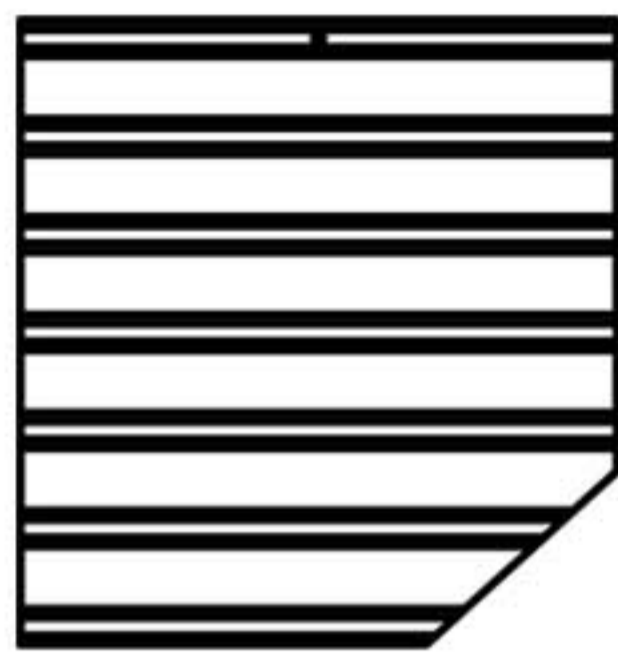

Item no.	Reference Image	Qty.	Item no.	Reference Image	Qty.
N1		2	O1		2
N2		2	O2		2
N3		2	O3		2
N4		2	O4		2
N5		2	V4		2
Y5		2	V3		2
Y4		2	V2		2
Y3		2	V1		2
Y2		2			
Y1		2			

Please take care of the screws and contact the after-sales service if there is any problem with the installation or parts.



E-mail: cs.helper01@gmail.com

ACCESSORY CATALOGUE

Item no.	Reference Image	Qty.	Item no.	Reference Image	Qty.
N6		2	O5		2
N7		2	V5		2
Y7		2			
Y6		2			

Please take care of the screws and contact the after-sales service if there is any problem with the installation or parts.

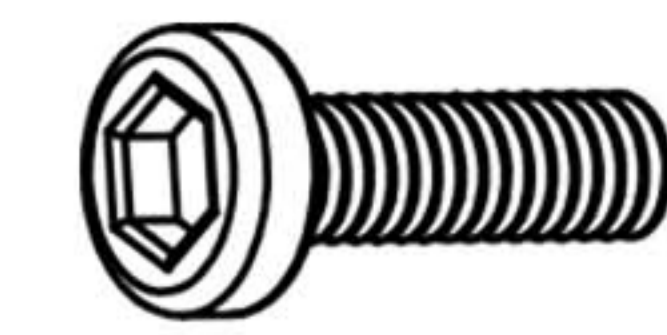
➔  E-mail: cs.helper01@gmail.com

STEP 1

Parts required



A 4pcs

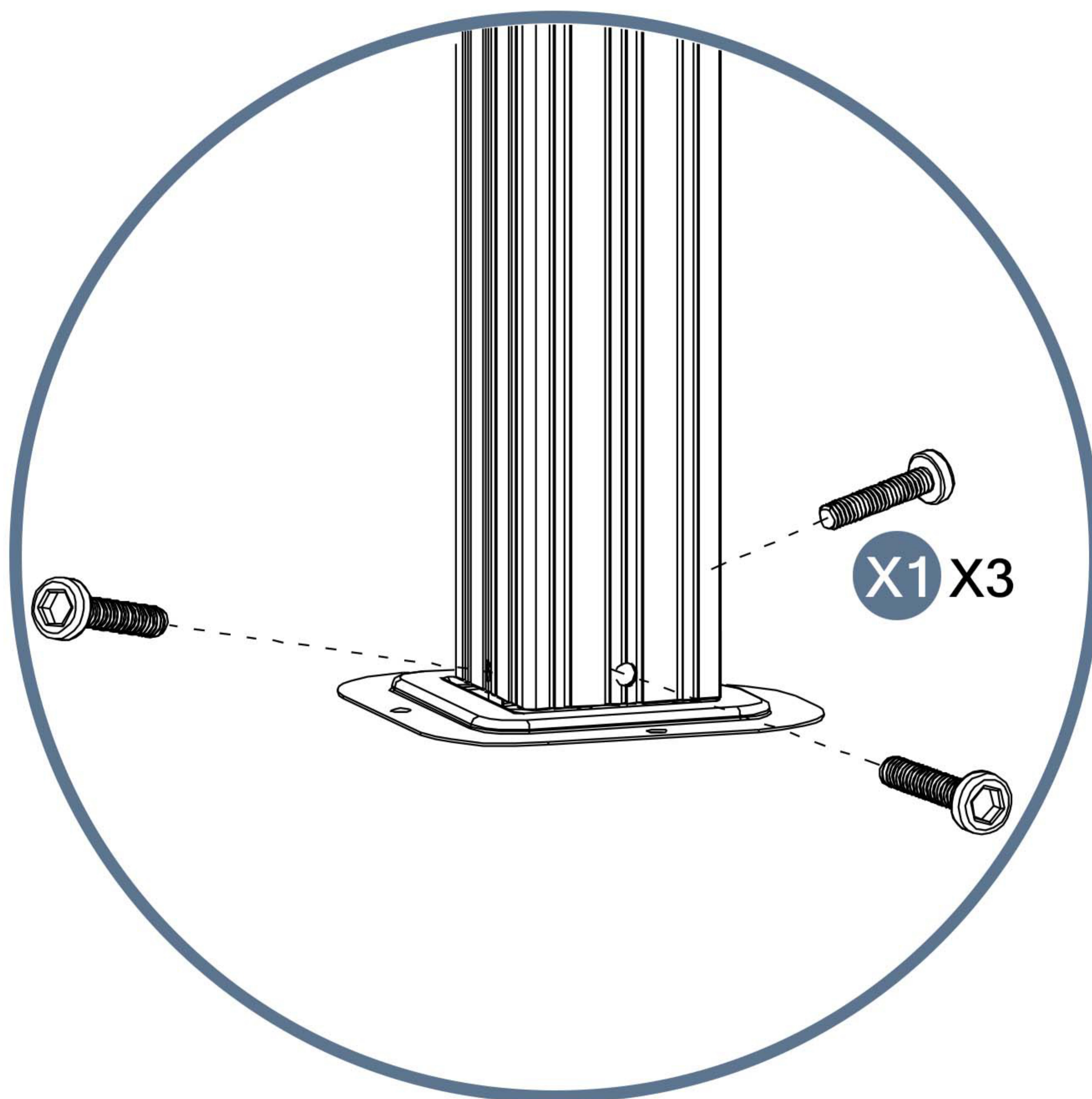
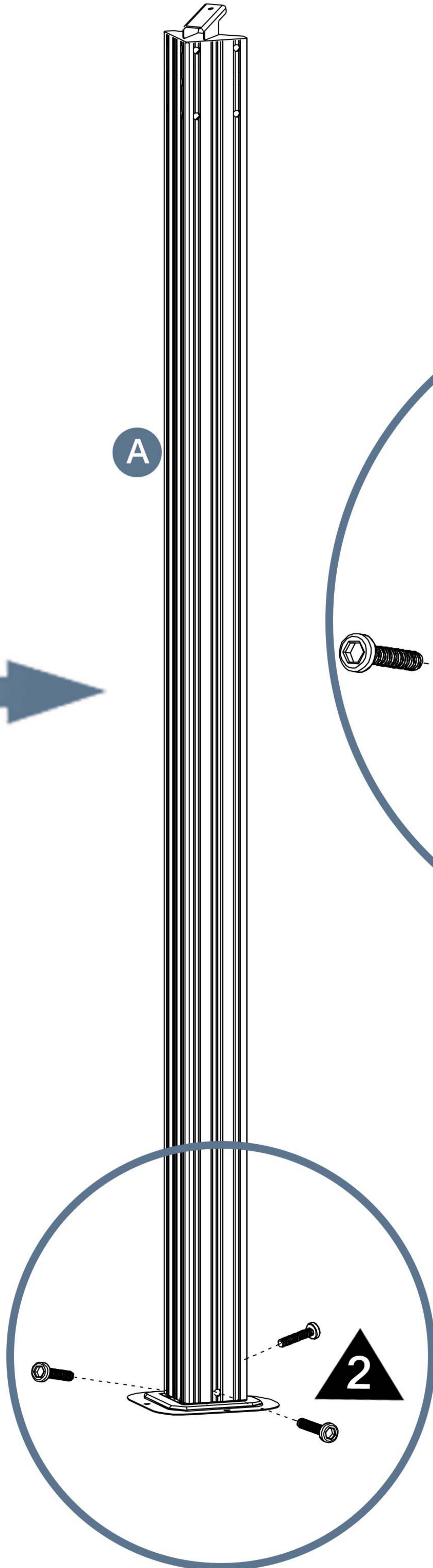
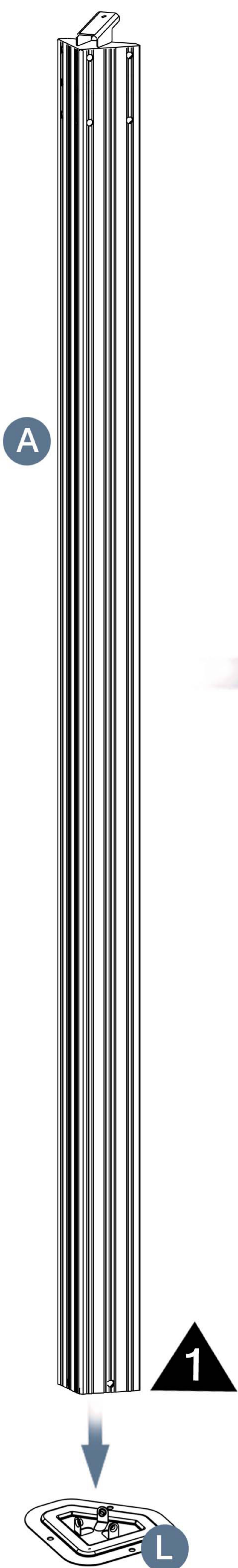


X1 12pcs



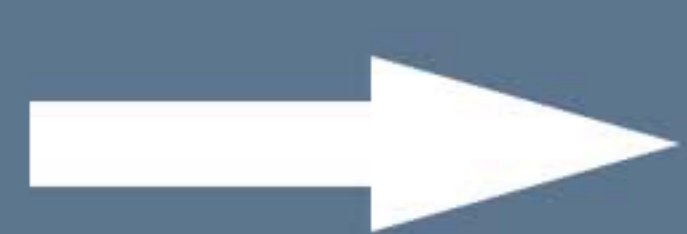
L 4pcs

1 → 2



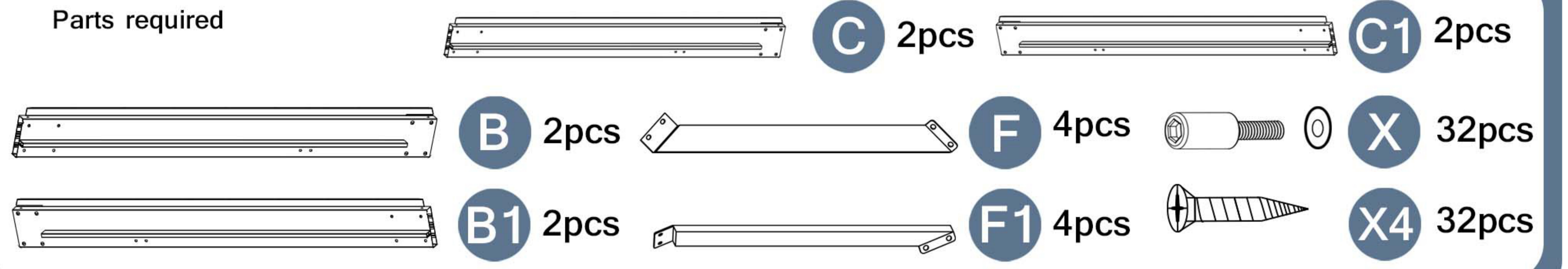
X4

Please take care of the screws and contact the after-sales service if there is any problem with the installation or parts.



STEP 2

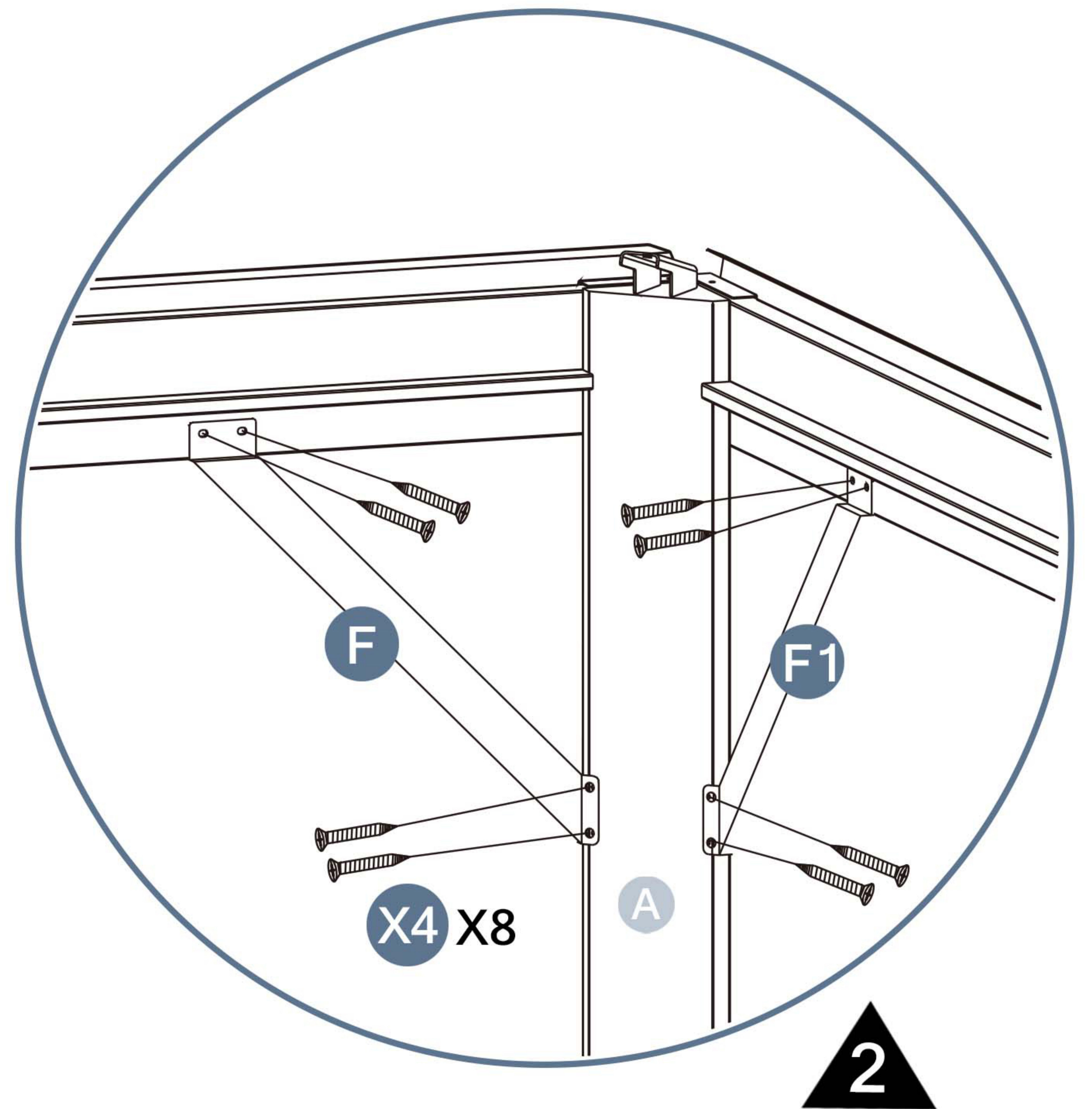
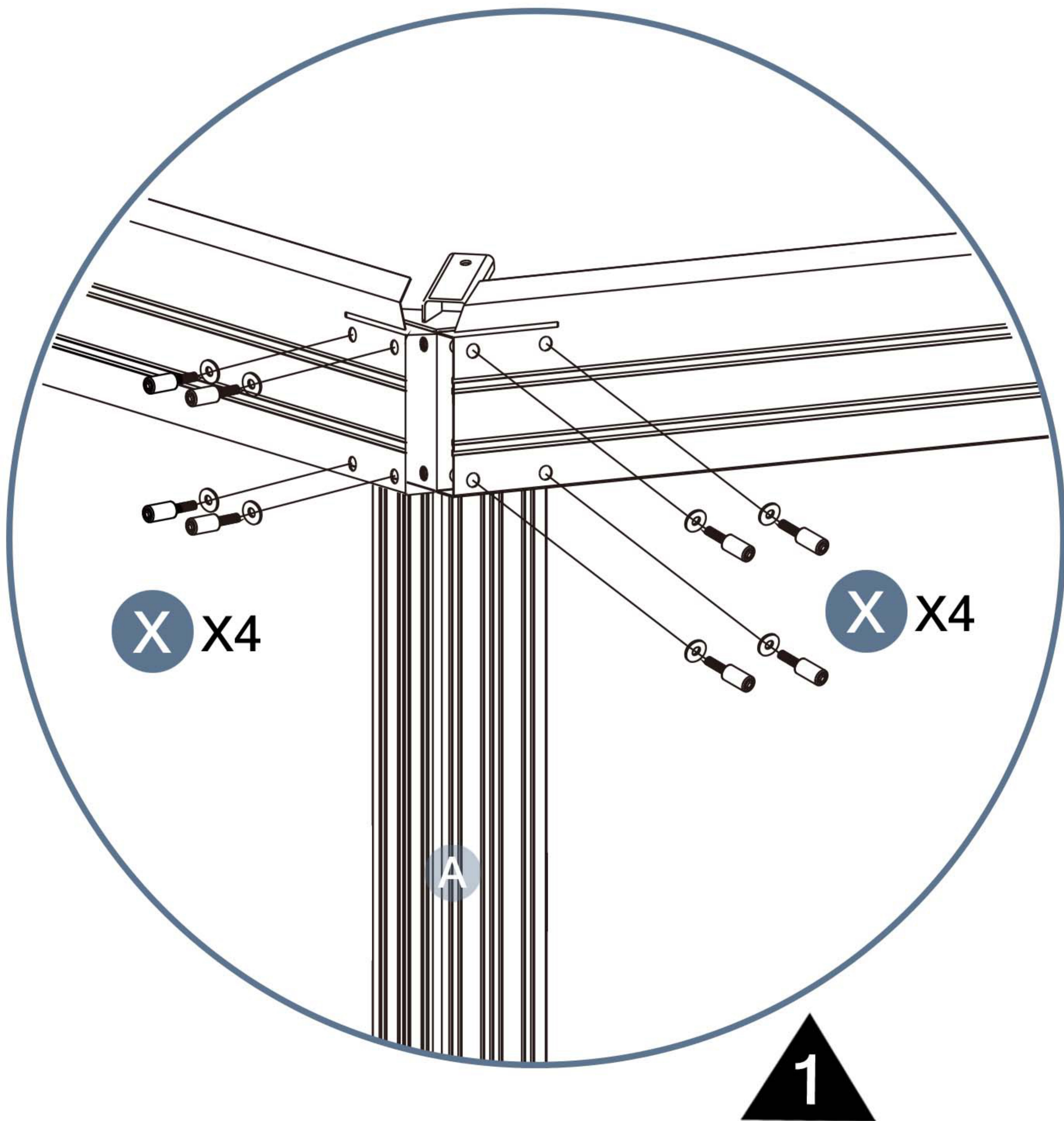
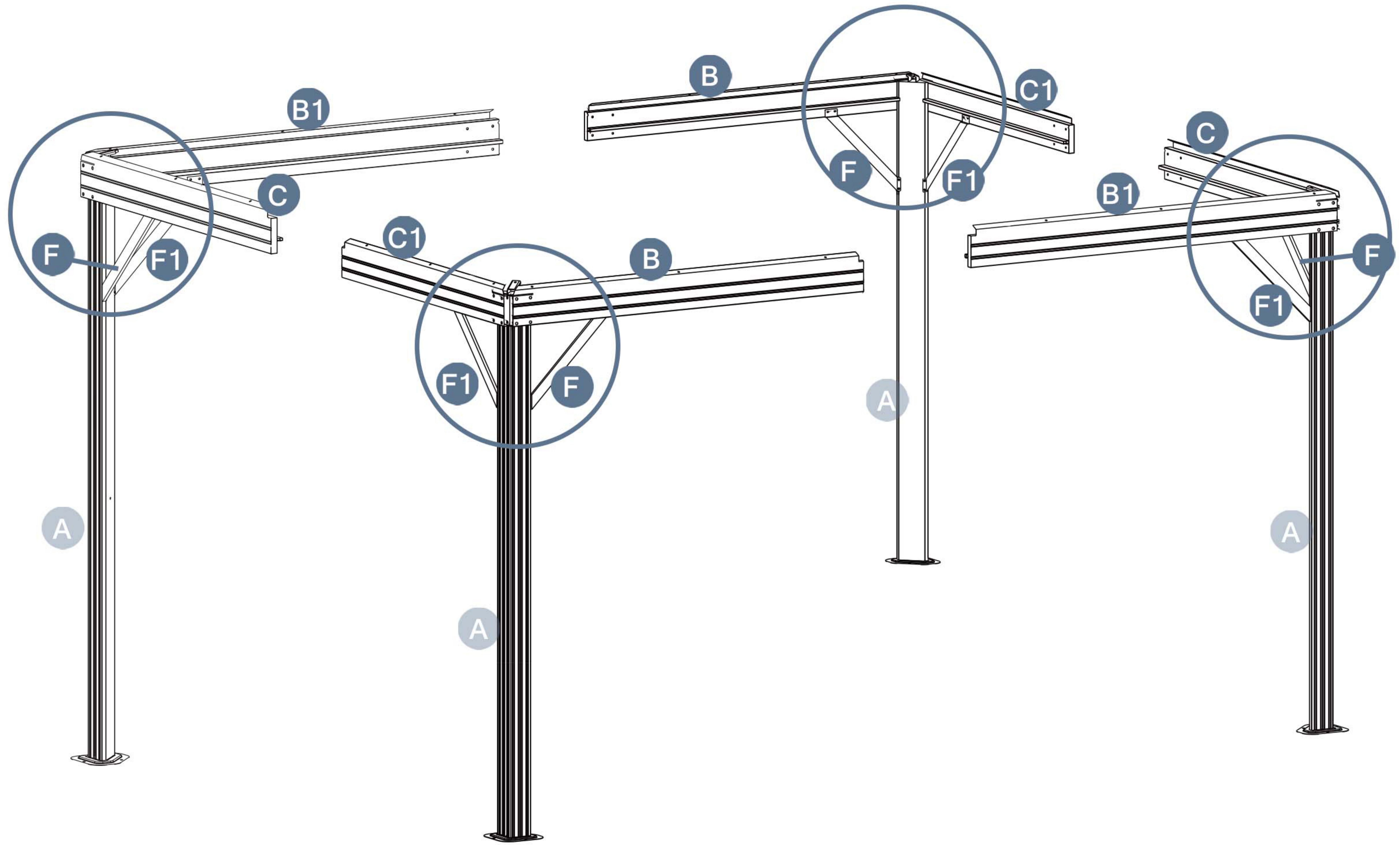
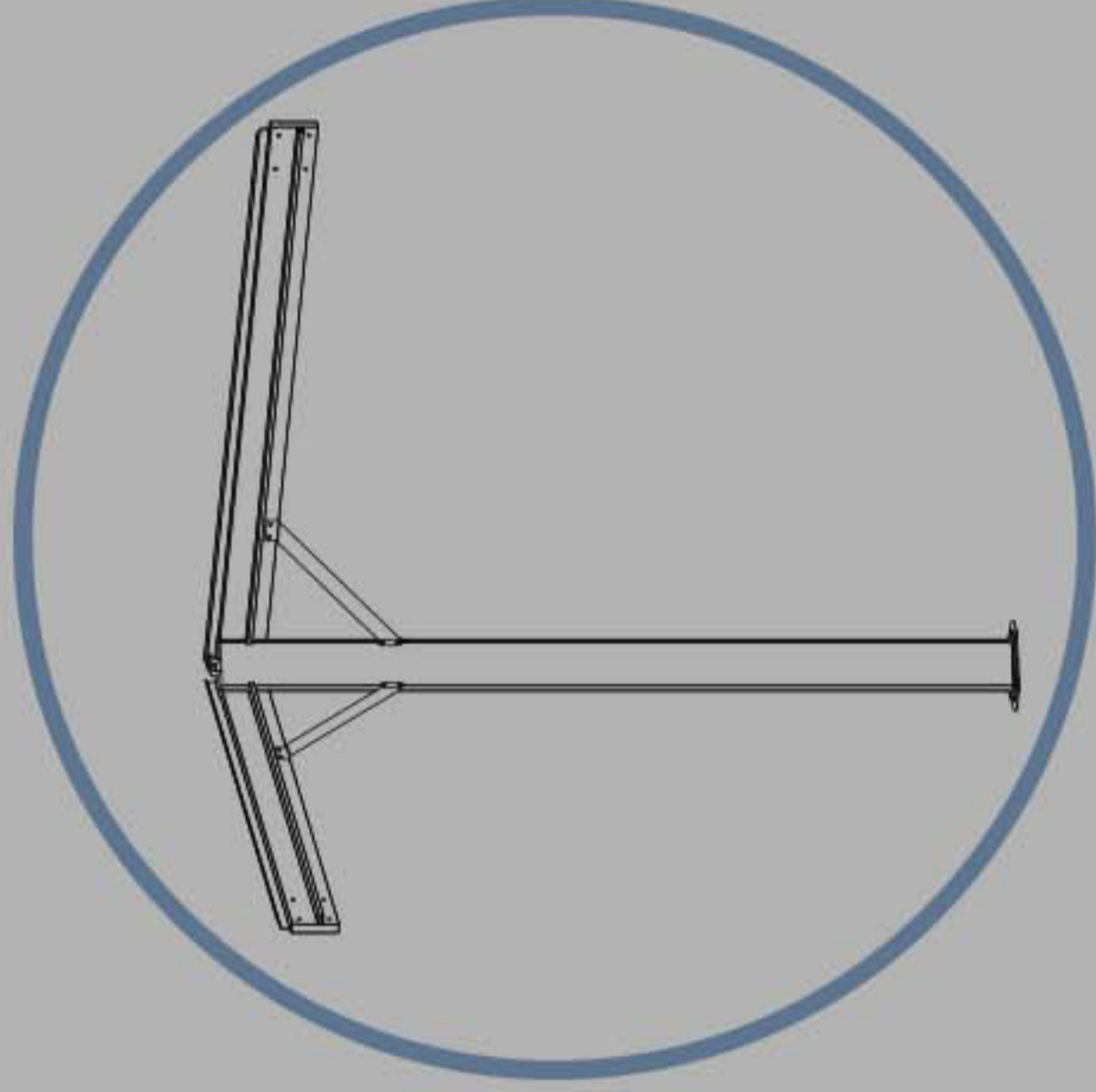
Parts required



1 → 2

NOTE:

You can put it down to assemble as shown in the picture.

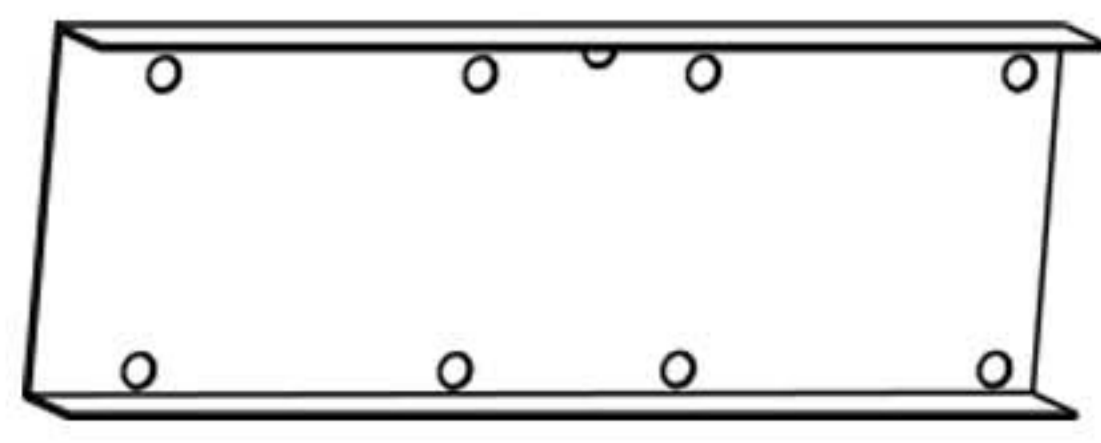


Please take care of the screws and contact the after-sales service if there is any problem with the installation or parts.

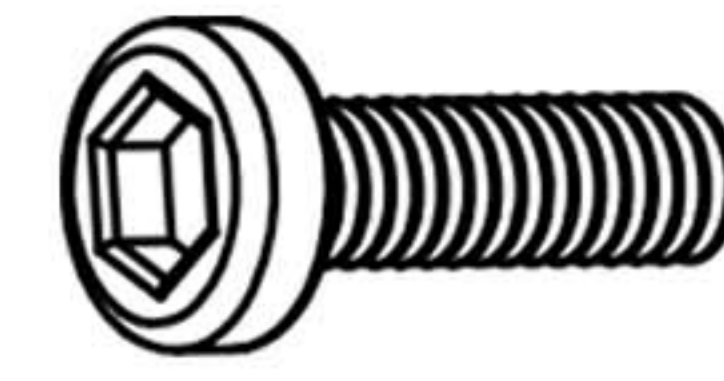
➔ ✉ E-mail: cs.helper01@gmail.com

STEP 3

Parts required



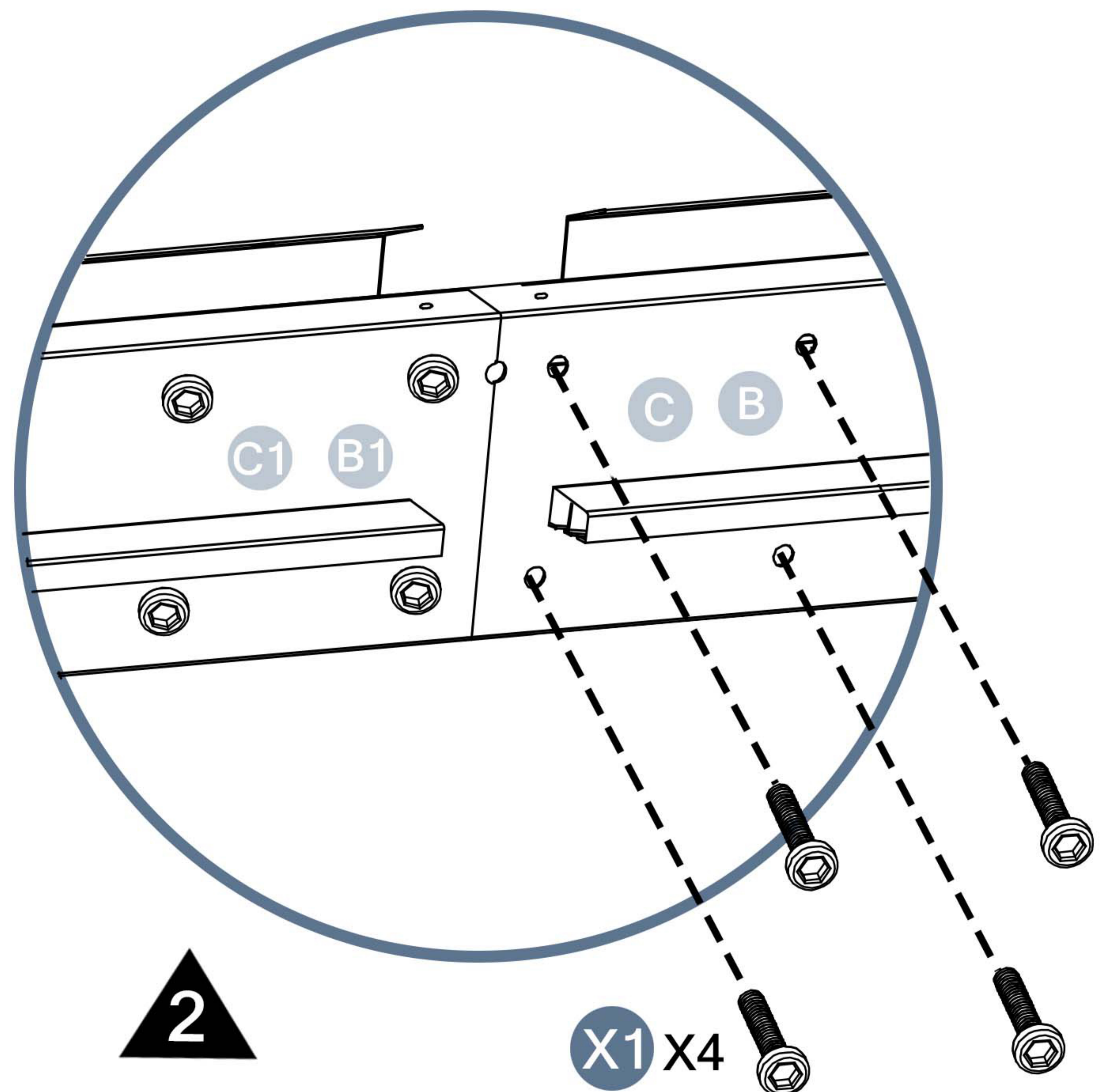
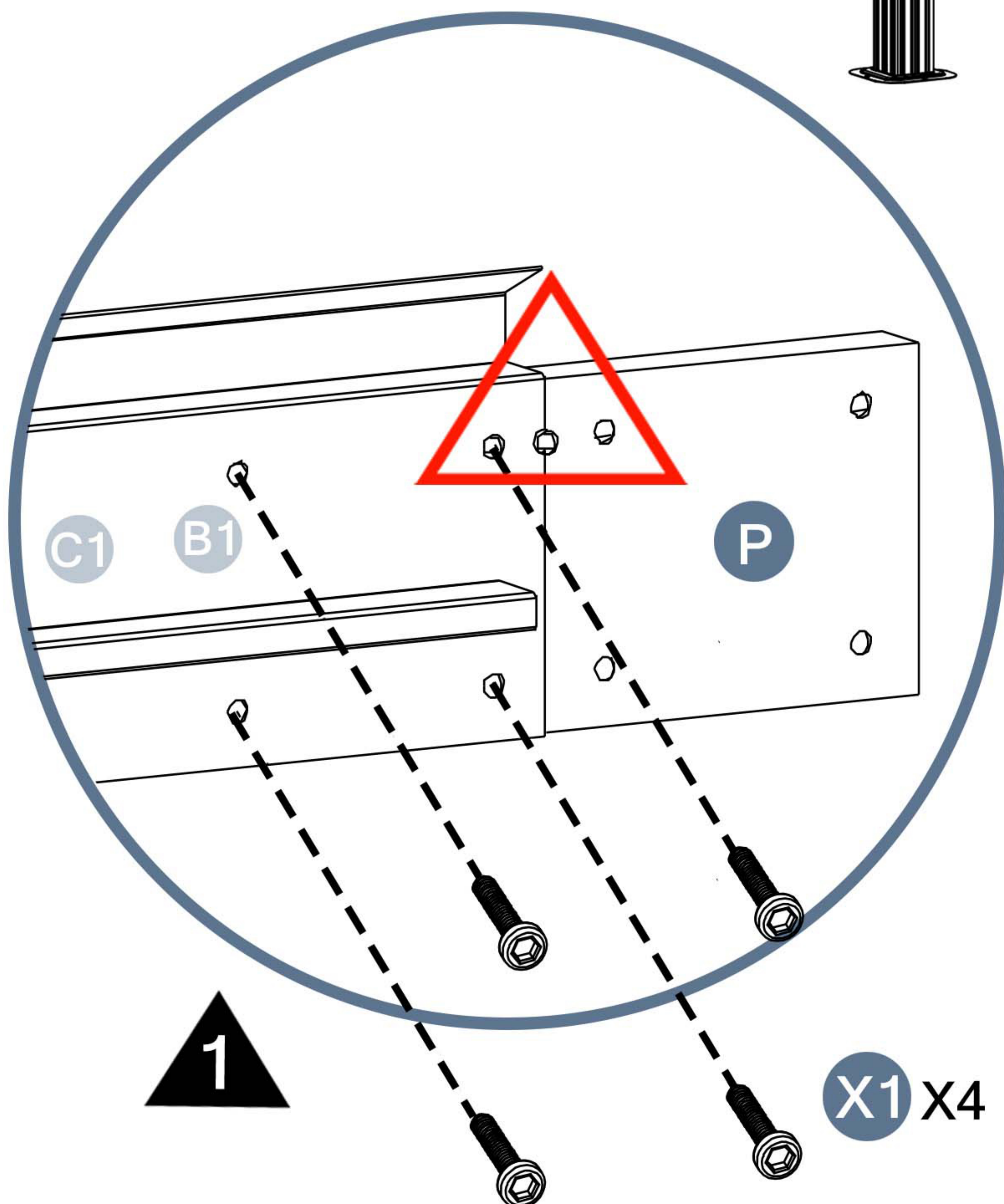
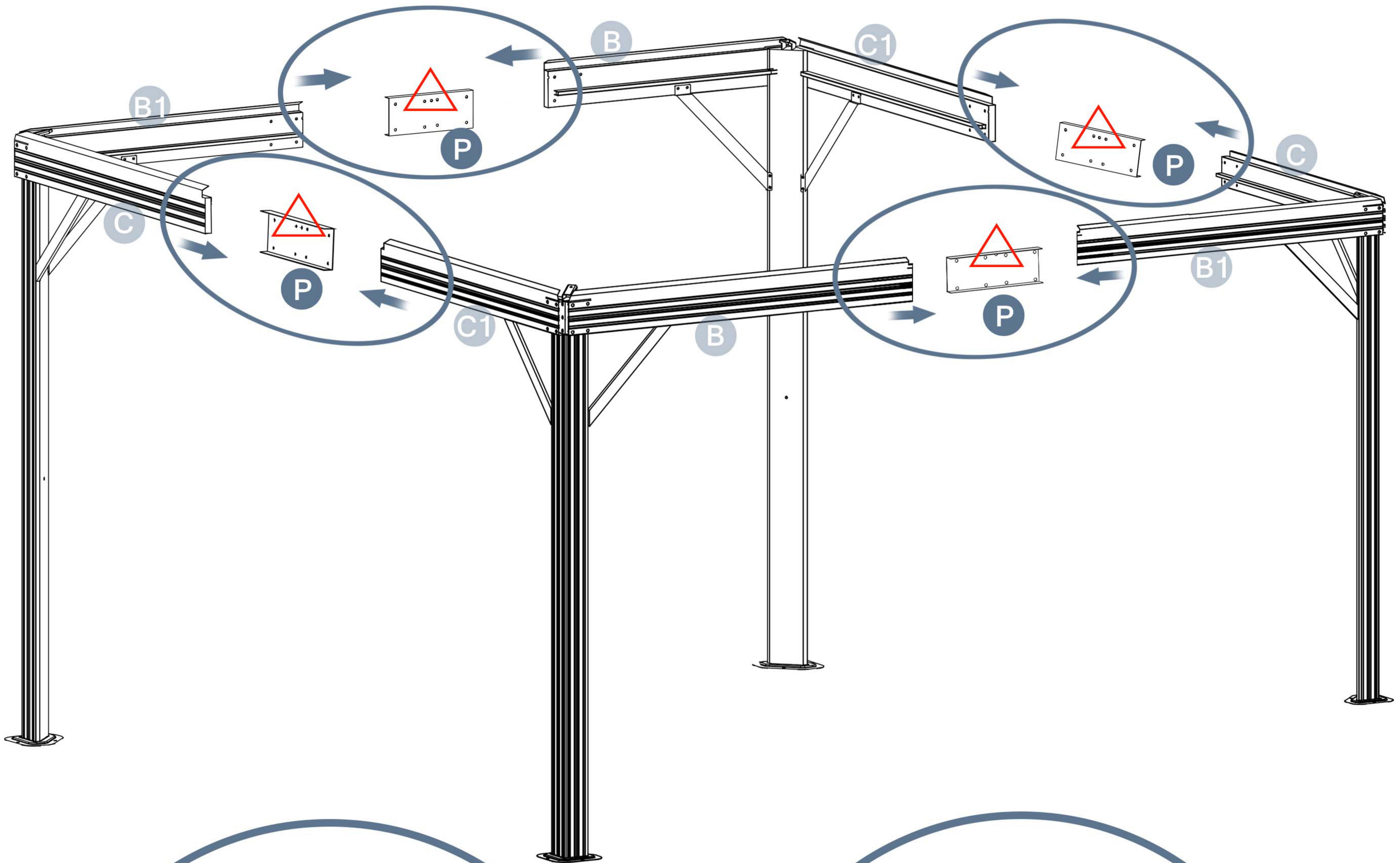
P 4pcs



X1 32pcs

1 → 2

△ When connecting **C** and **C1** via **P**, and connecting **B** and **B1** via **P**, make sure that 3 holes on part **P** (as shown in the picture) should be facing upwards. Do not install it upside down.



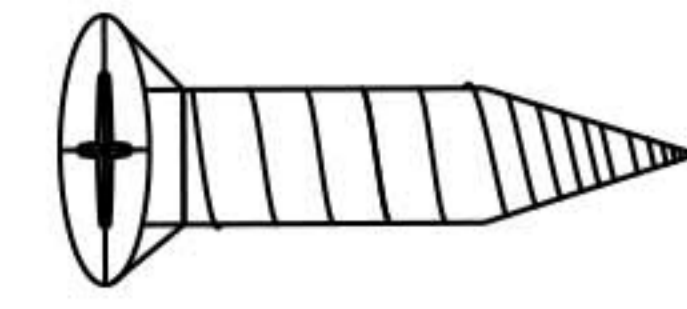
Please take care of the screws and contact the after-sales service if there is any problem with the installation or parts.

STEP 4

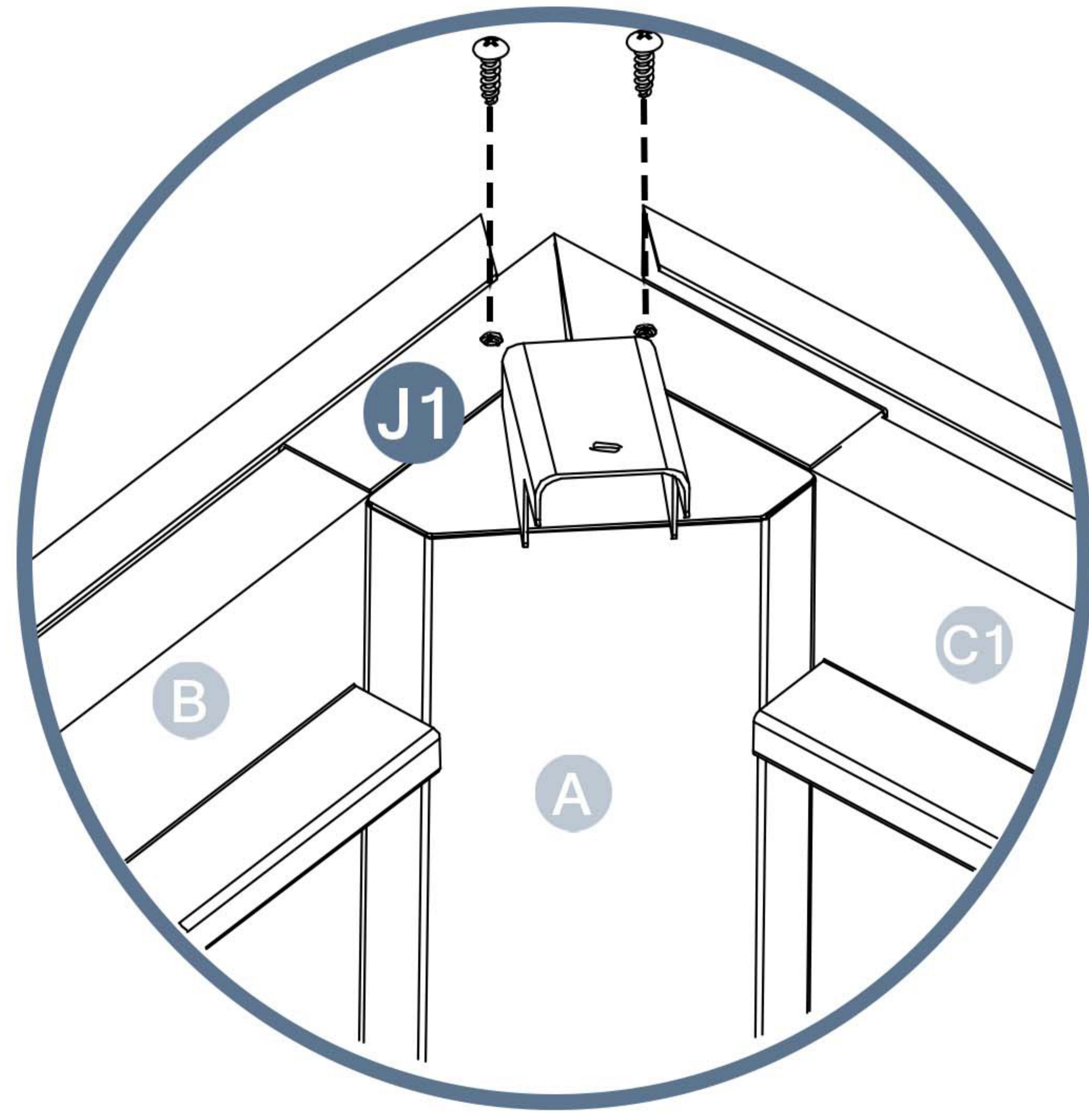
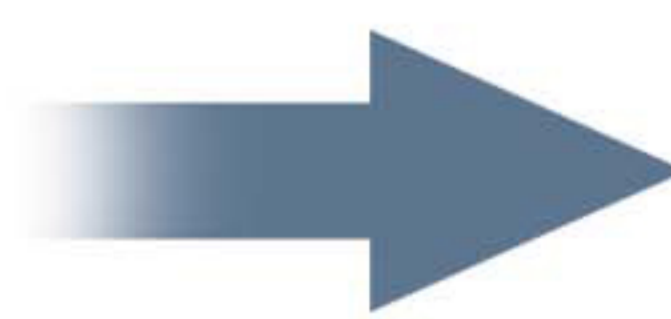
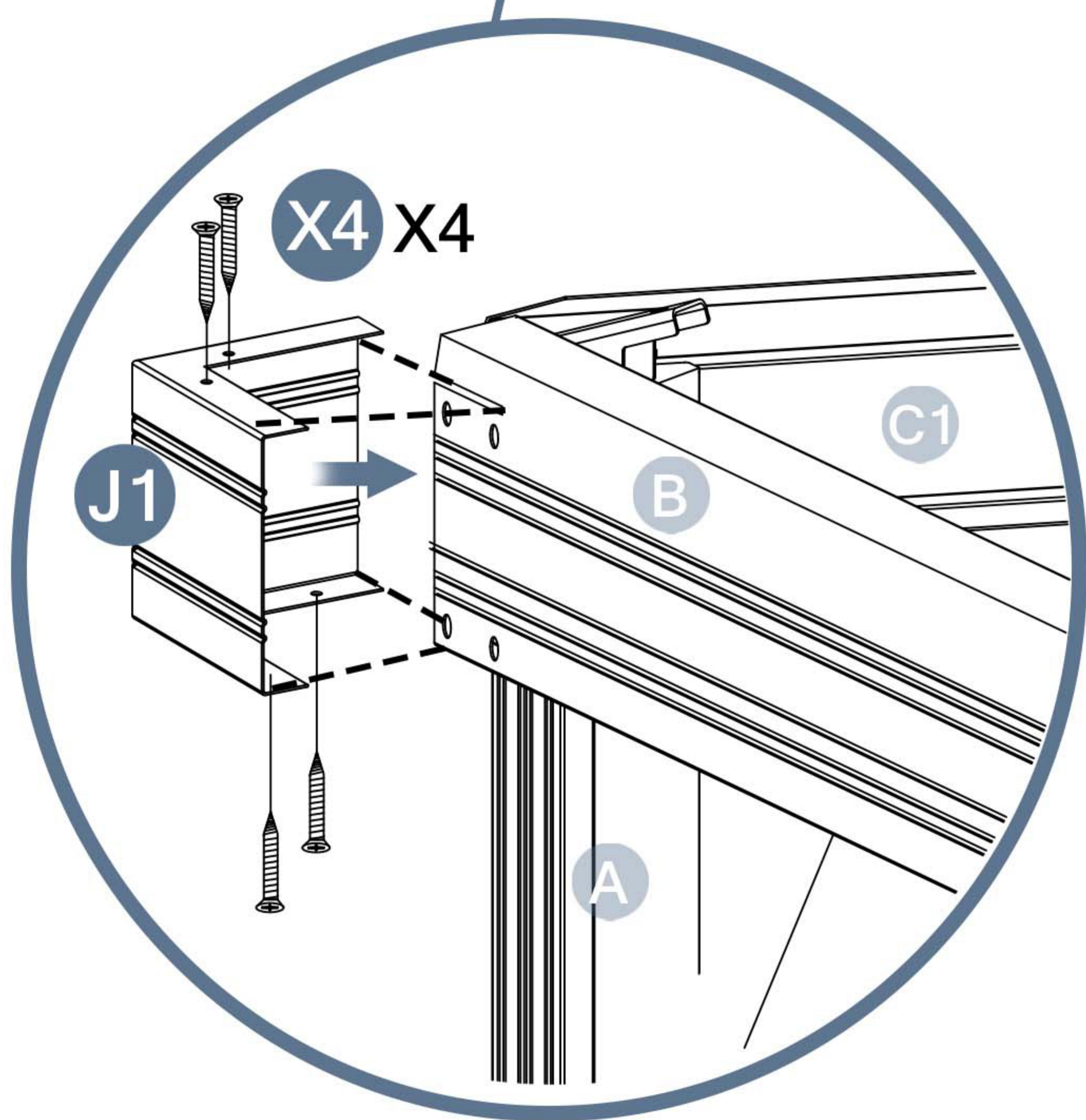
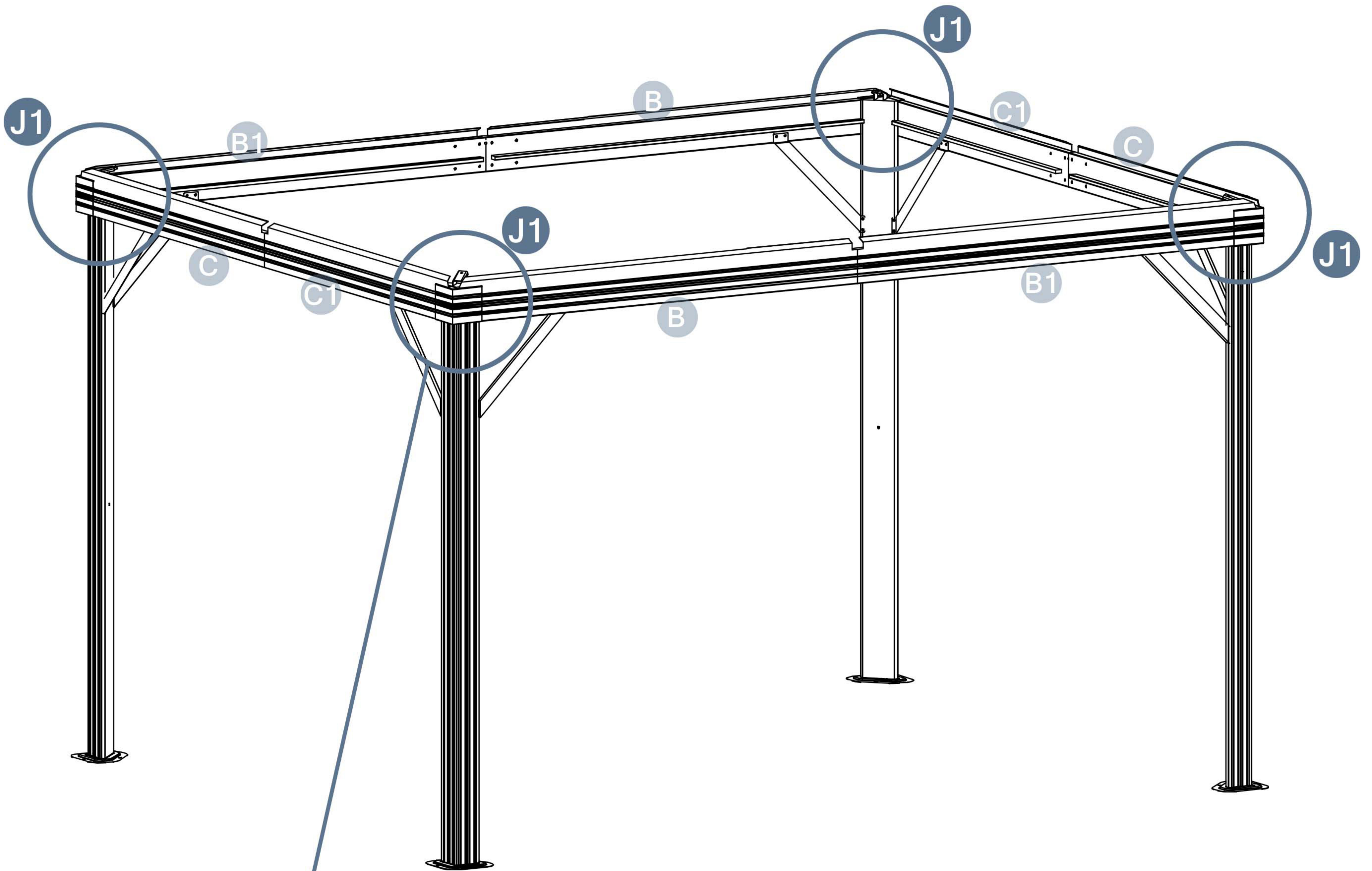
Parts required



J1 4pcs



X4 16pcs

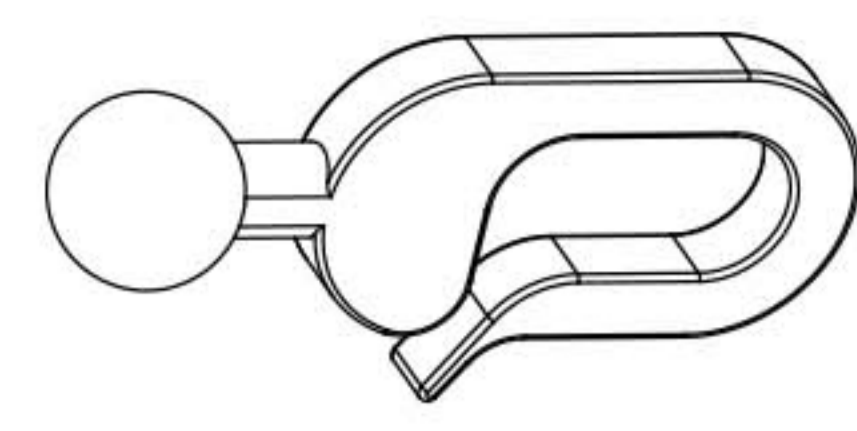


Please take care of the screws and contact the after-sales service if there is any problem with the installation or parts.

➔ ✉ E-mail: cs.helper01@gmail.com

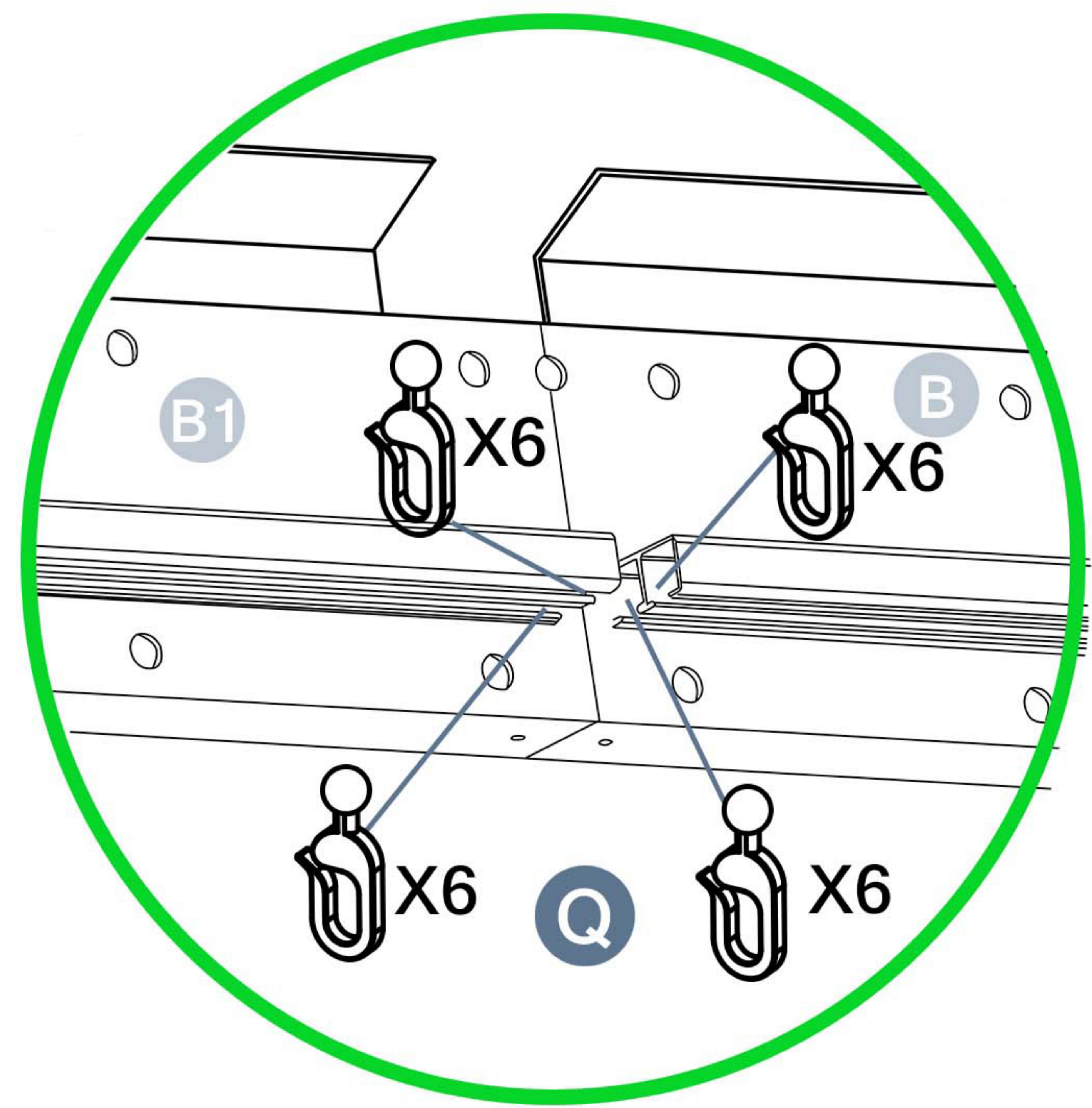
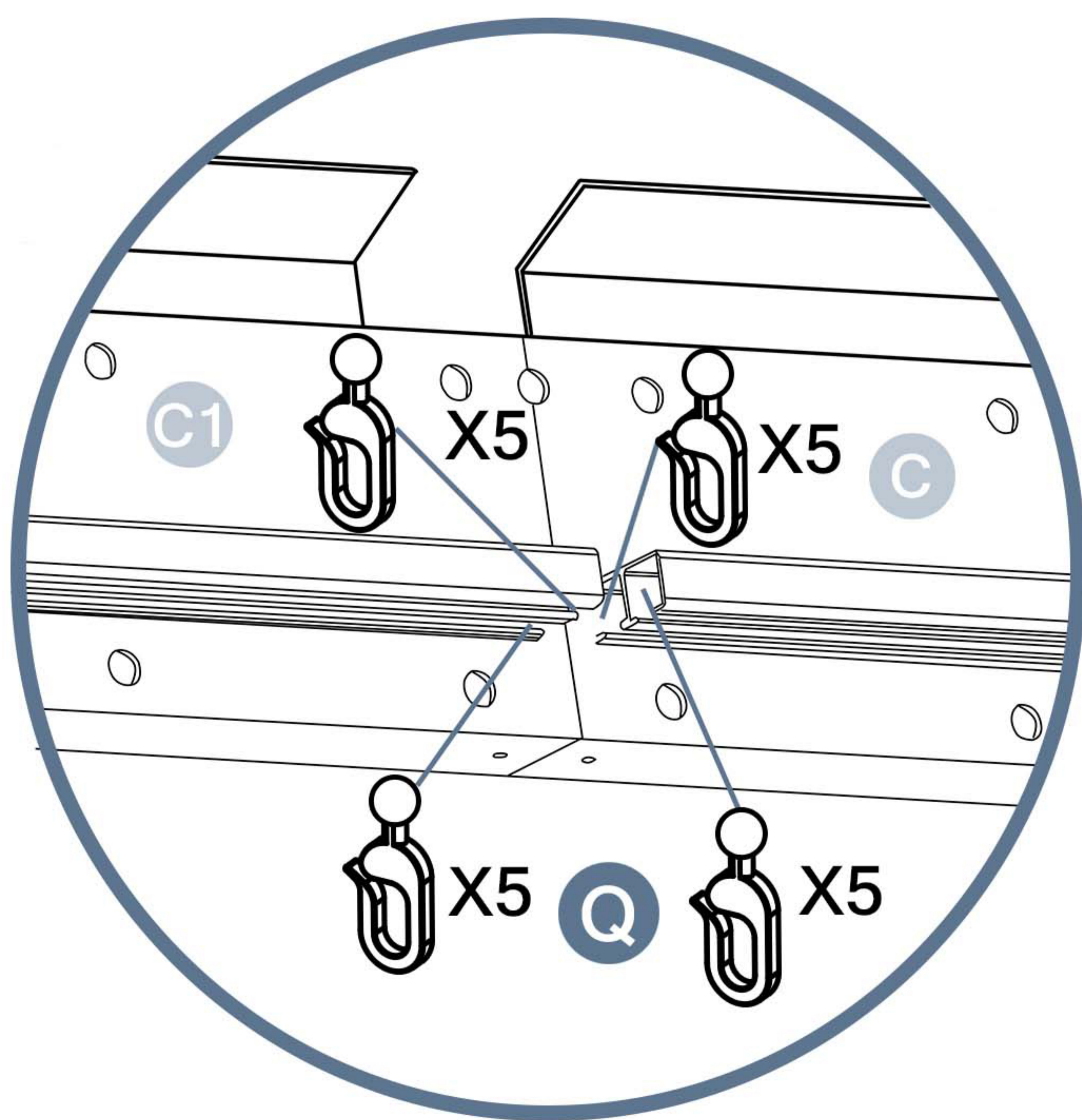
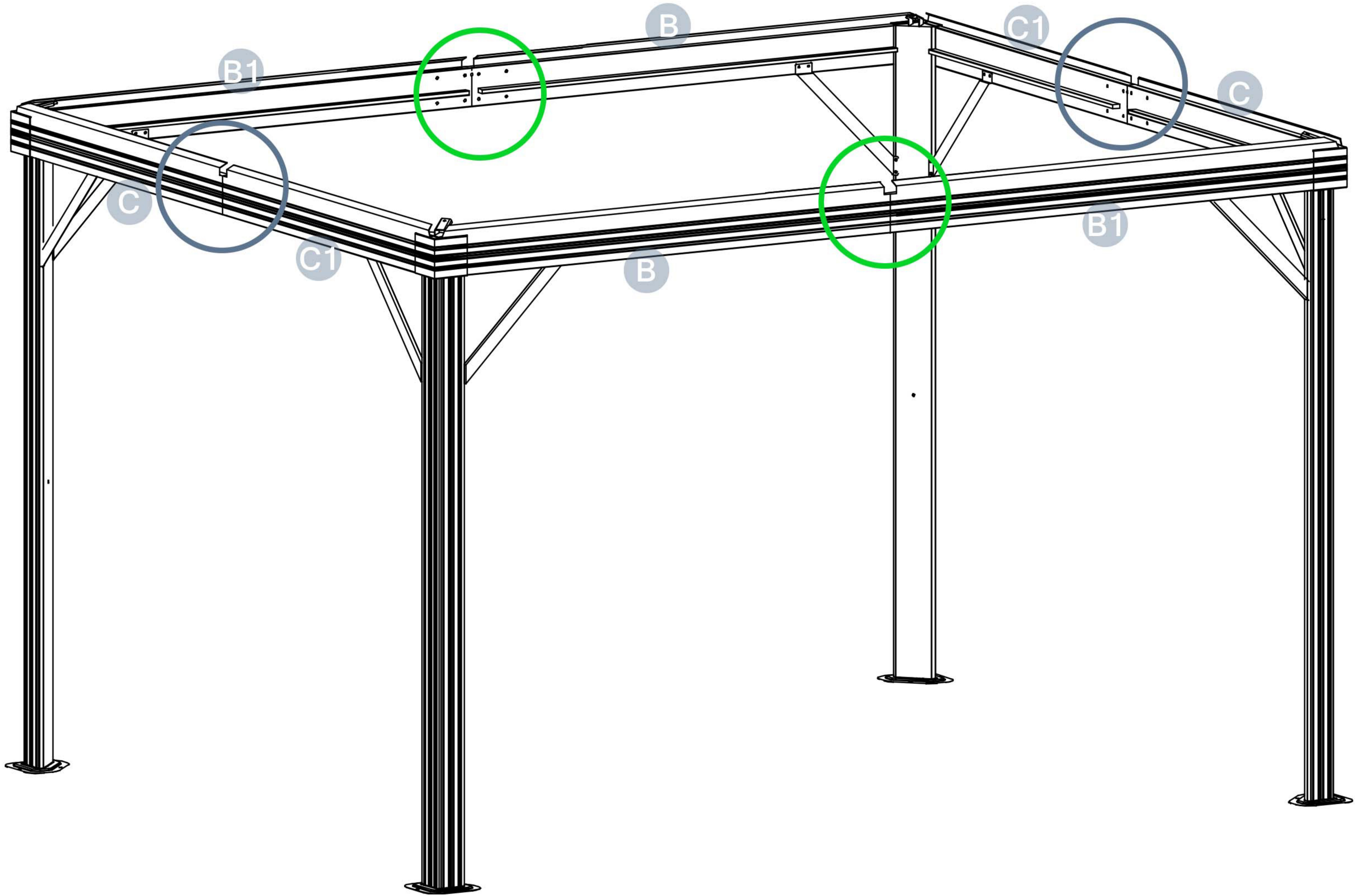
STEP 5

Parts required



Q 88pcs

There are 2 rails on the rod. Install the 5 hanging hooks each rail on rod of **C** and **C1**, as well as the 6 hanging hooks each rail on rod of **B** and **B1**.



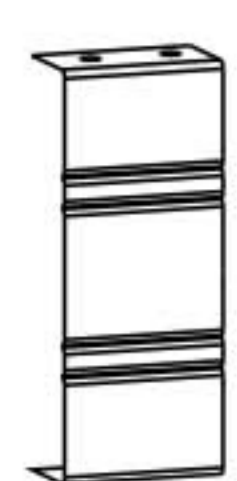
Please take care of the screws and contact the after-sales service if there is any problem with the installation or parts.



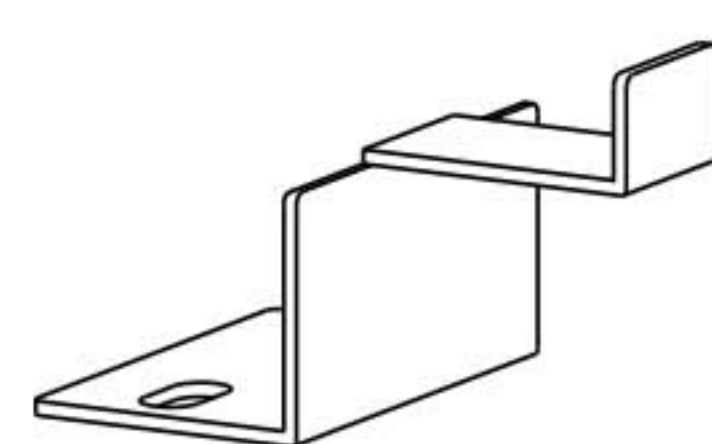
E-mail: cs.helper01@gmail.com

STEP 6

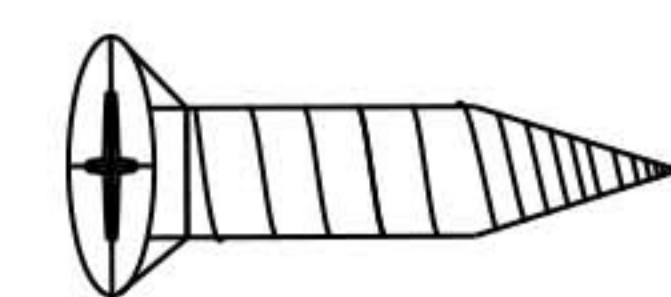
Parts required



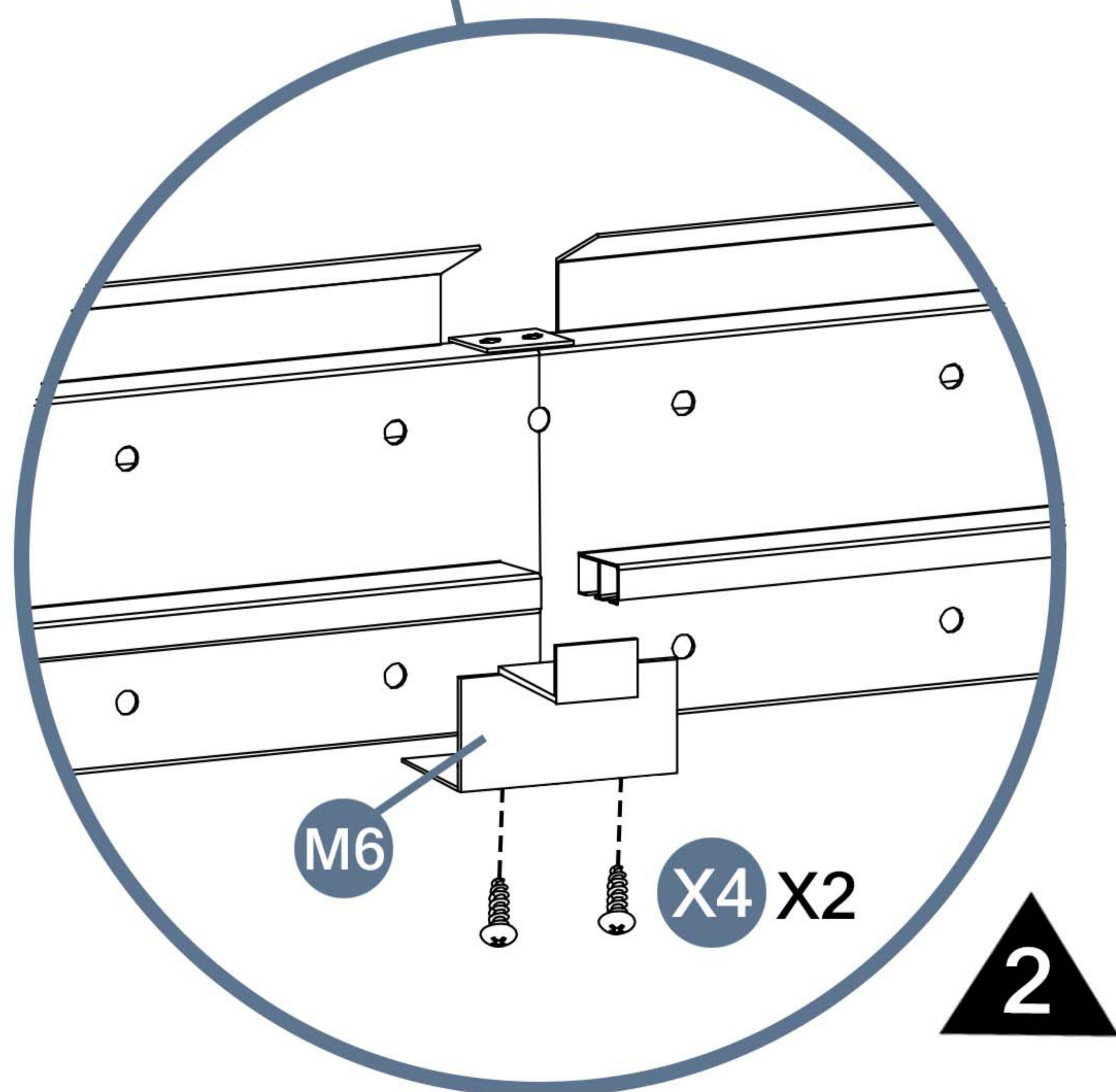
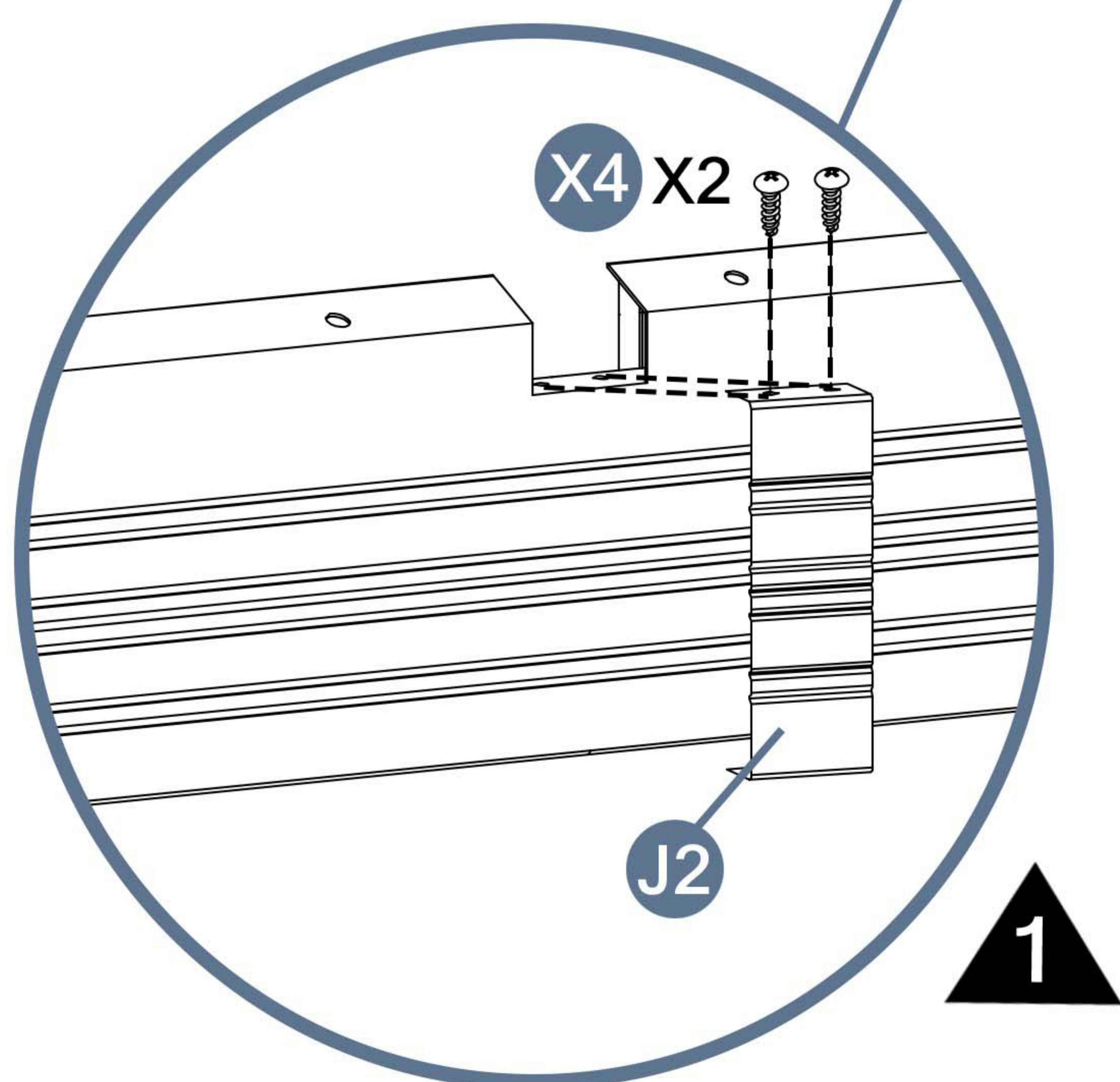
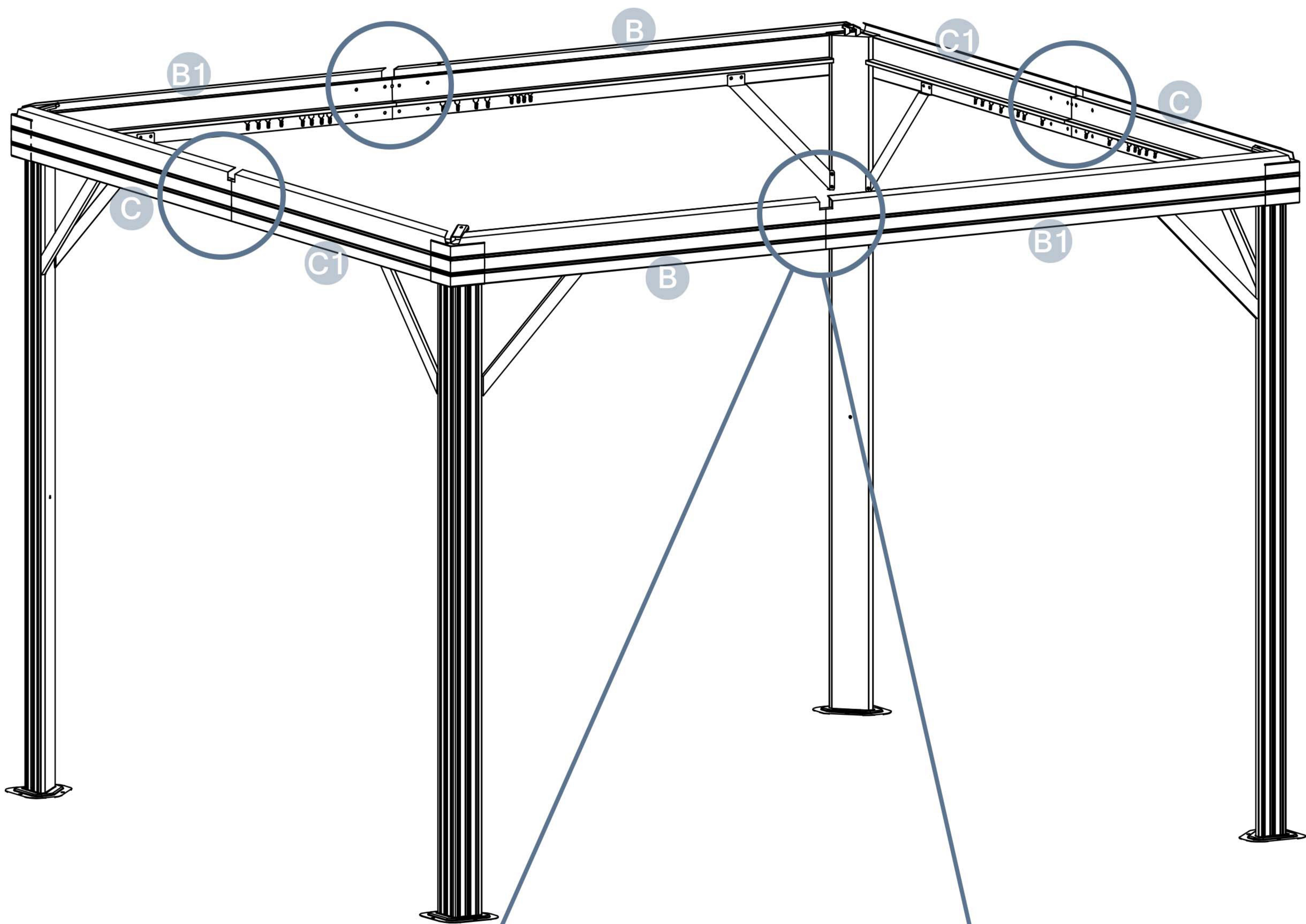
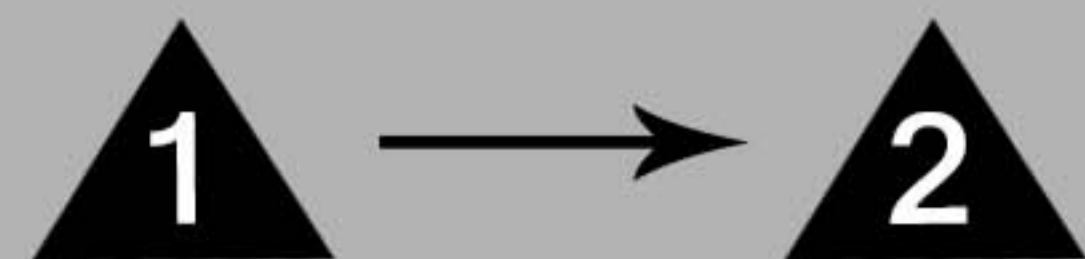
J2 4pcs



M6 4pcs



X4 16pcs

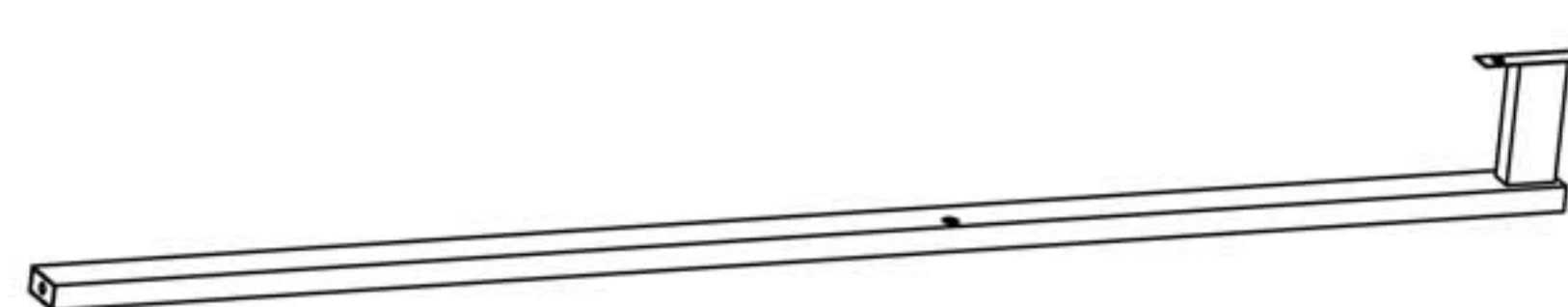


Please take care of the screws and contact the after-sales service if there is any problem with the installation or parts.

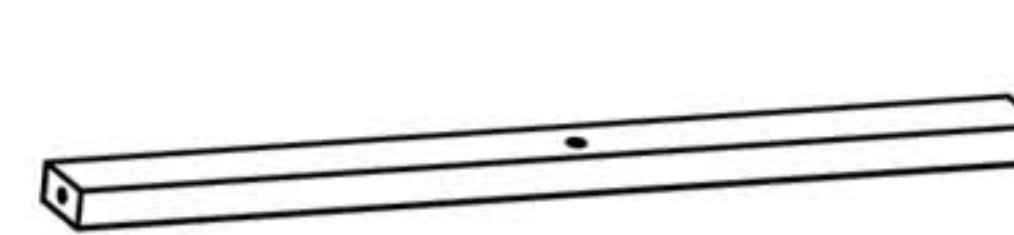
➔ ✉ E-mail: cs.helper01@gmail.com

STEP 7

Parts required



D 4pcs



D1 4pcs



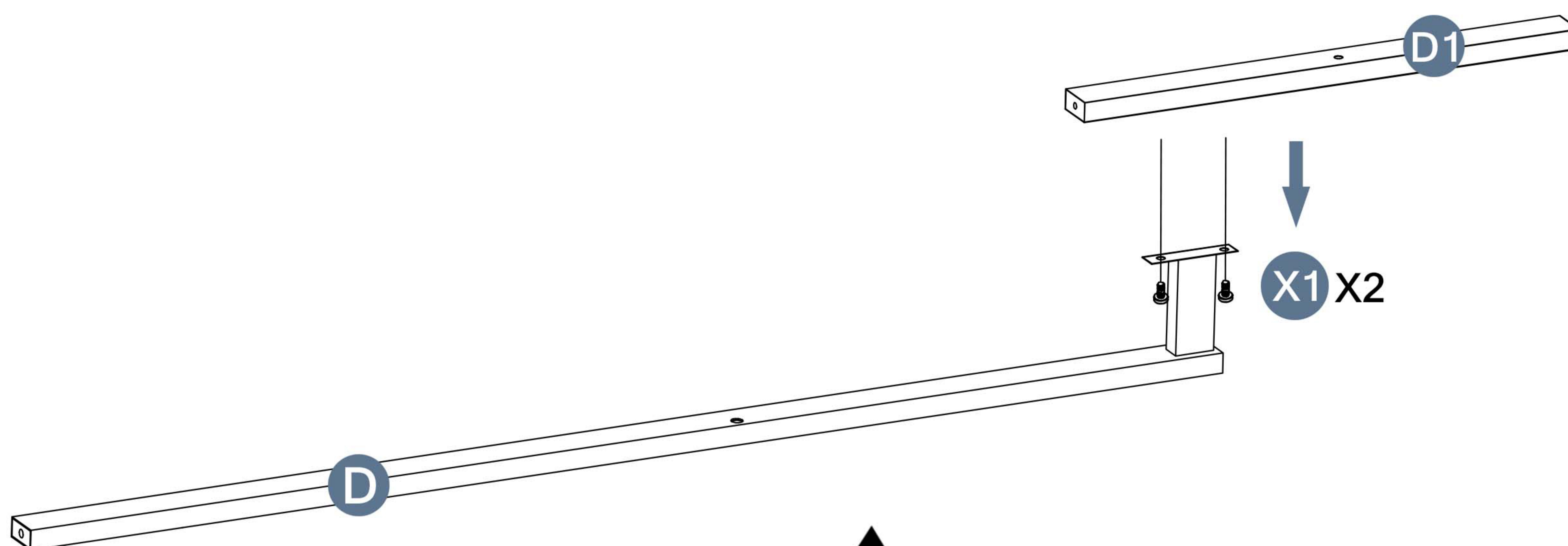
E 4pcs



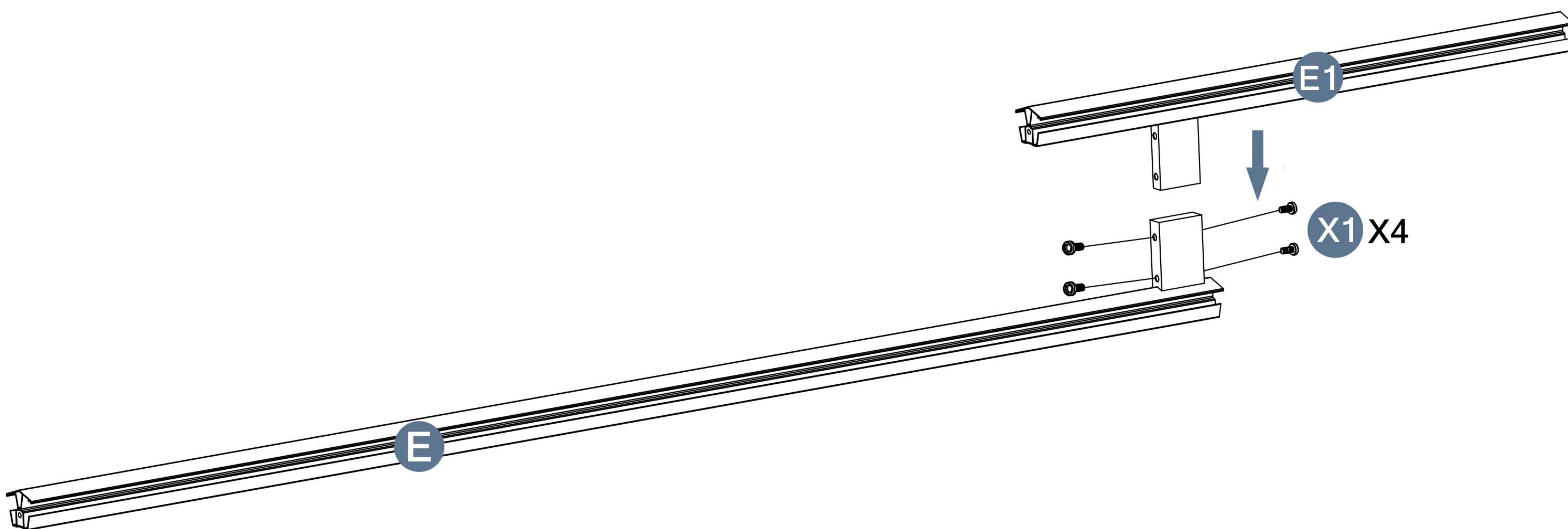
E1 4pcs



X1 24pcs



1 X4



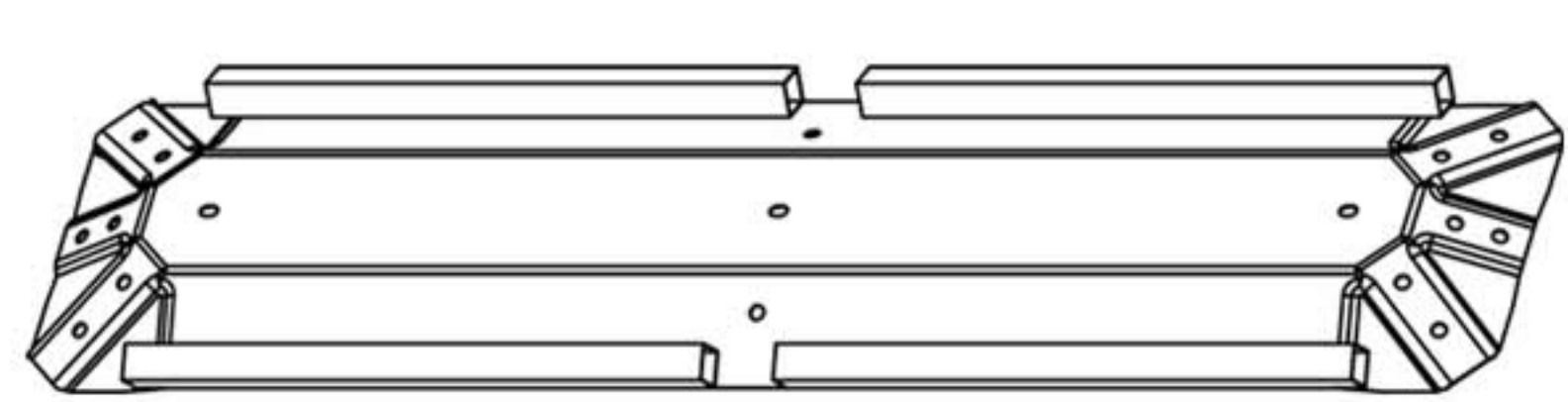
2 X4

Please take care of the screws and contact the after-sales service if there is any problem with the installation or parts.

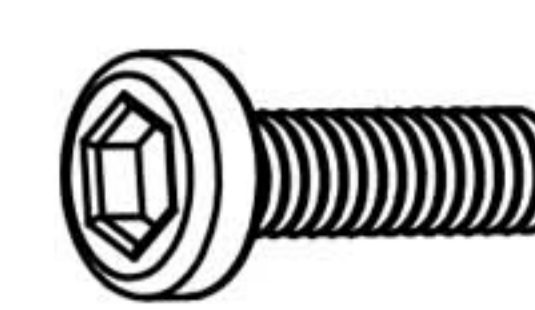


STEP 8

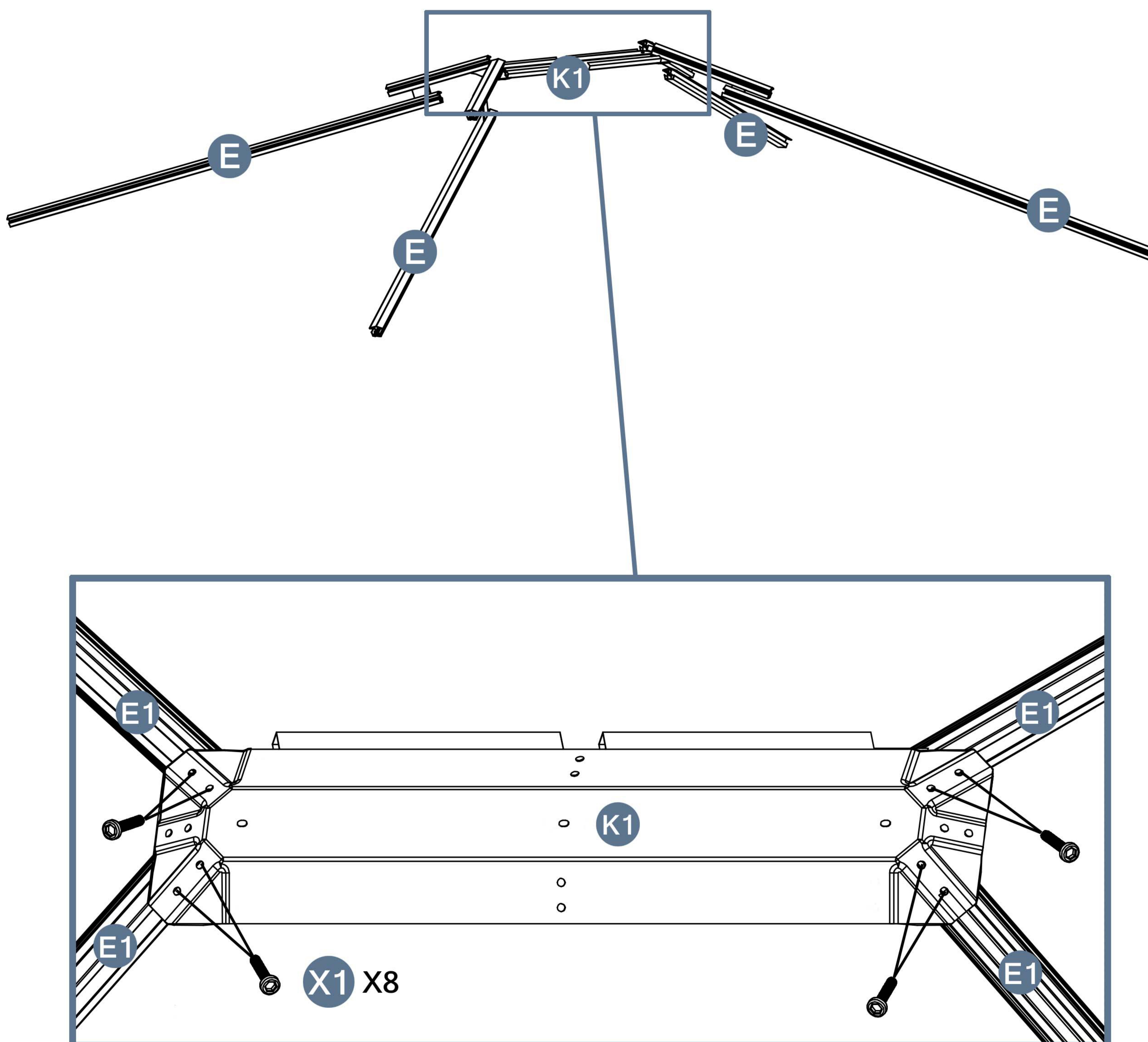
Parts required



K1 1pcs



X1 8pcs

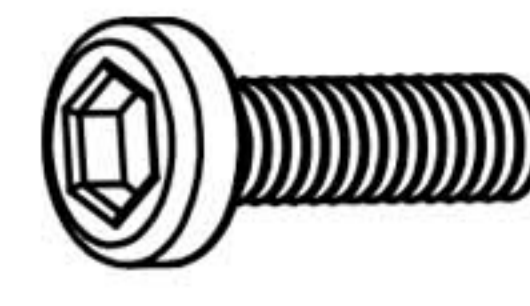


Please take care of the screws and contact the after-sales service if there is any problem with the installation or parts.

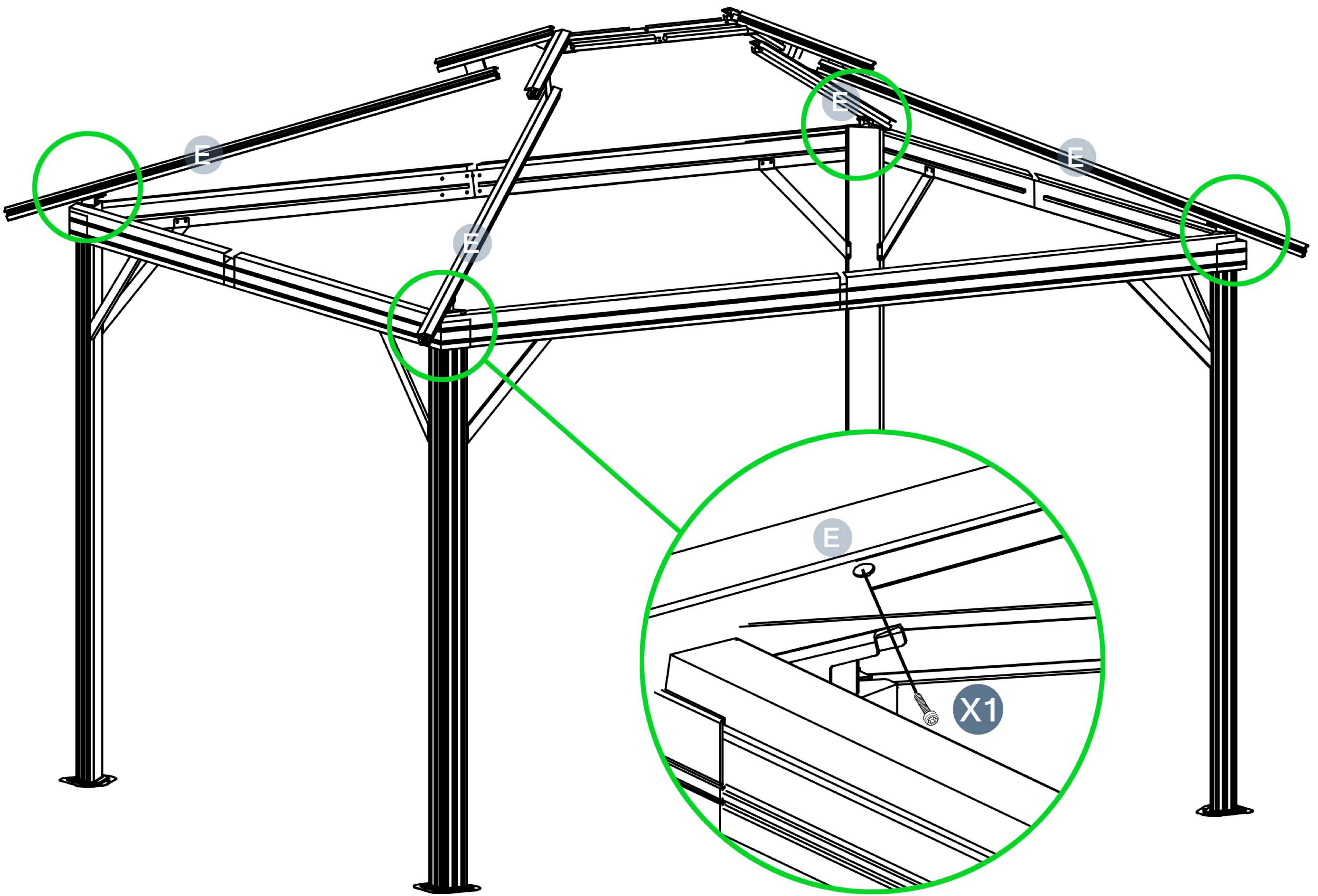
➔ ✉ E-mail: cs.helper01@gmail.com

STEP 9

Parts required



X1 4pcs



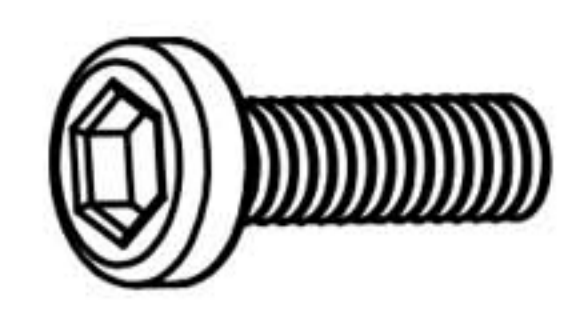
Please take care of the screws and contact the after-sales service if there is any problem with the installation or parts.



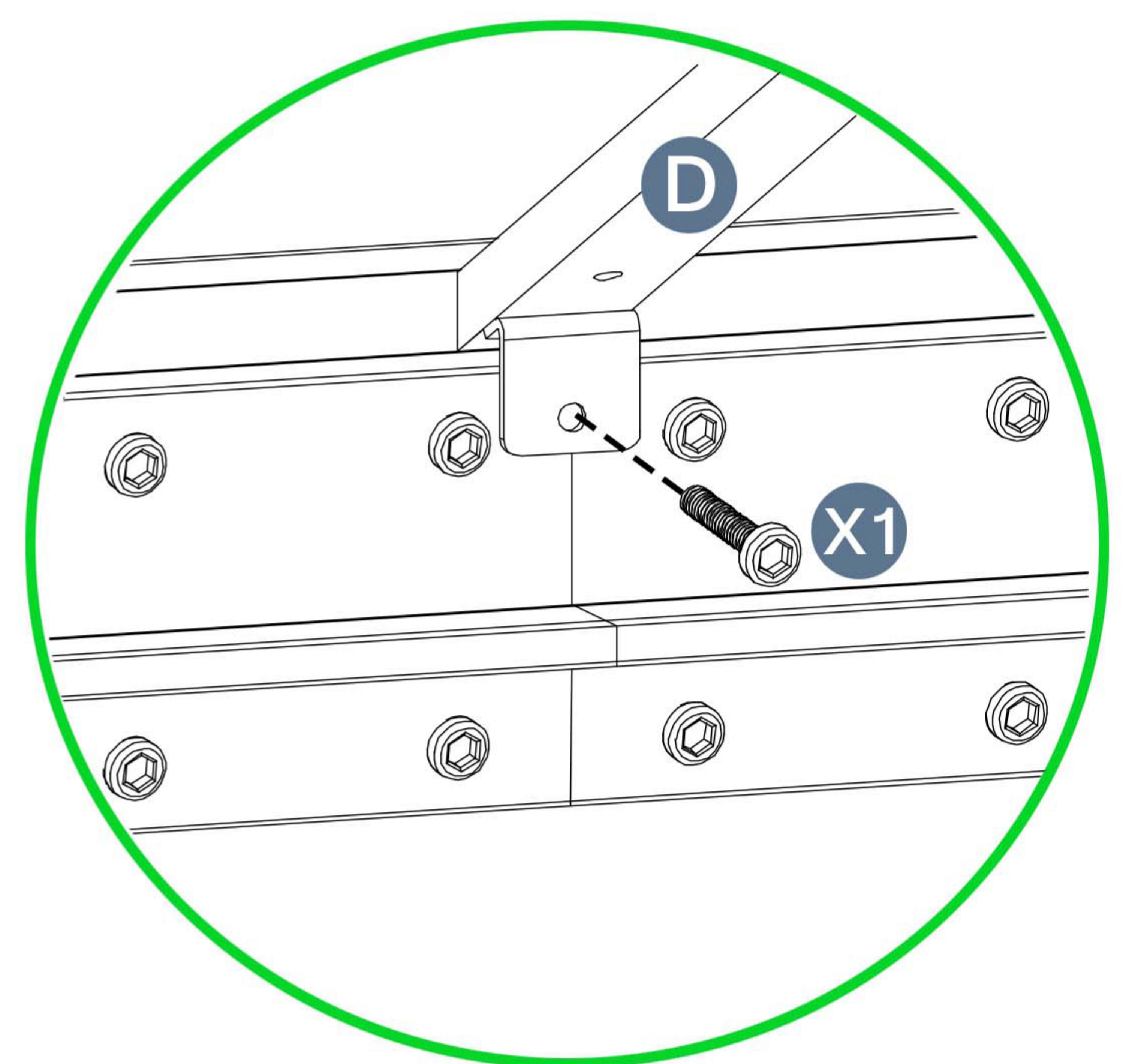
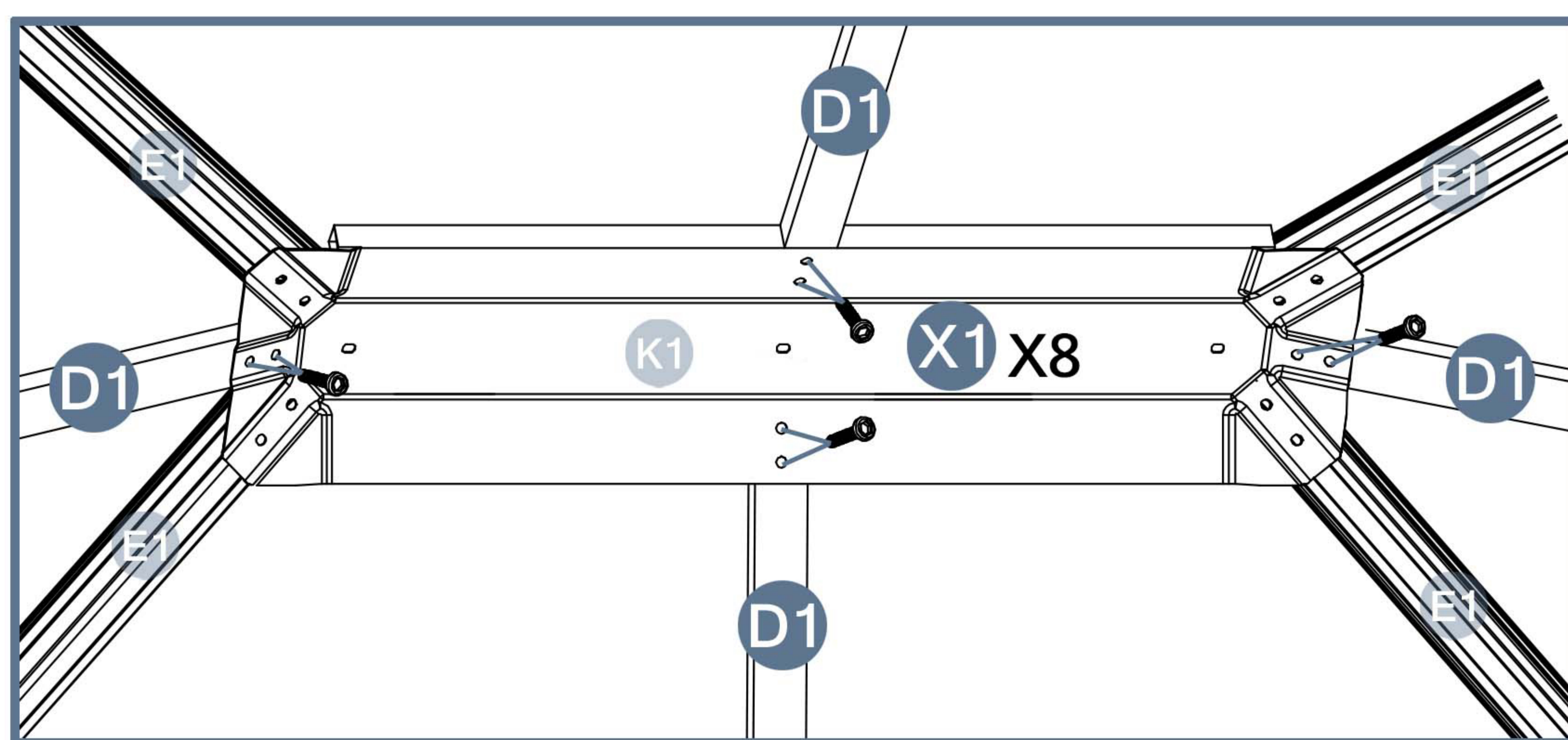
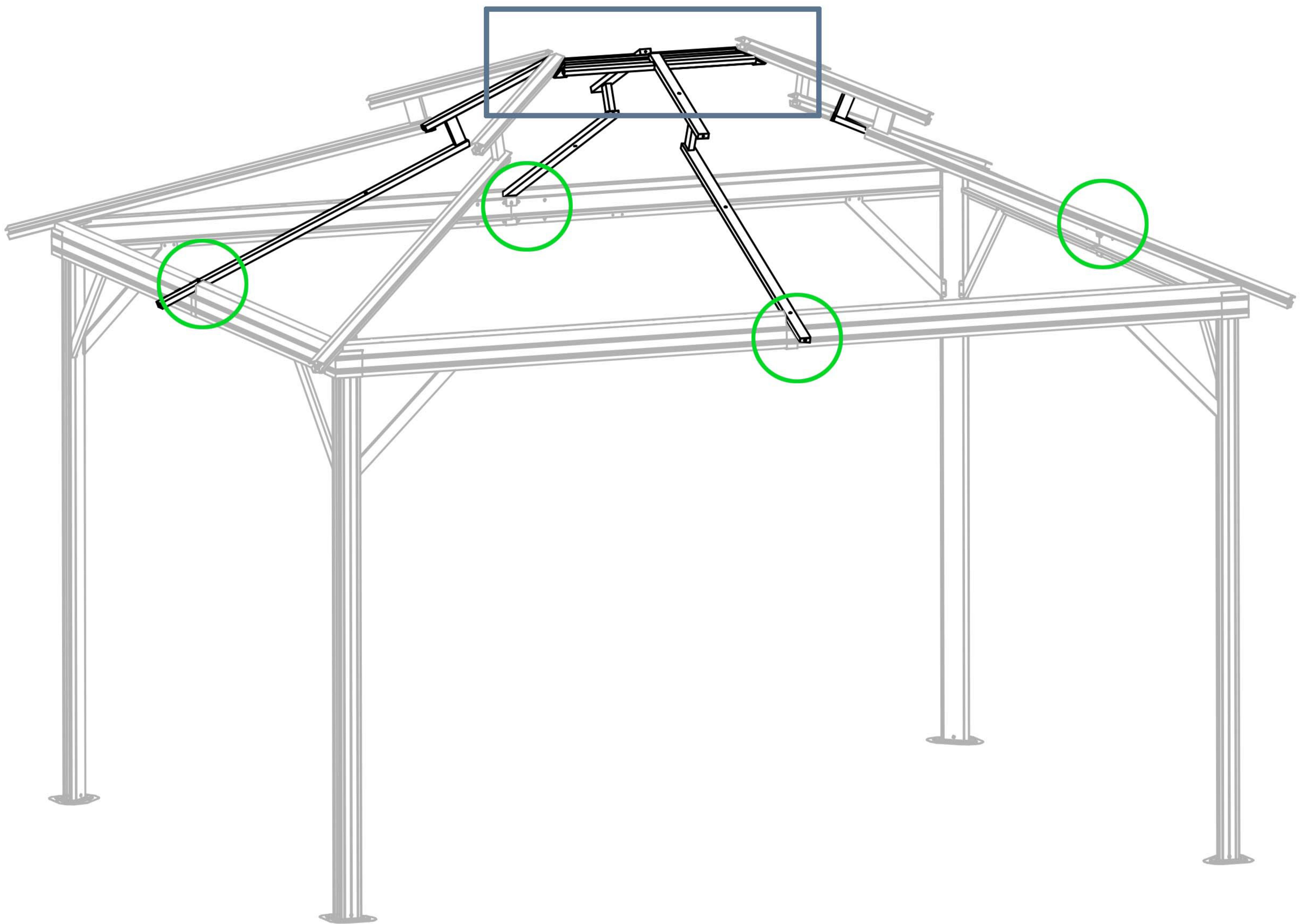
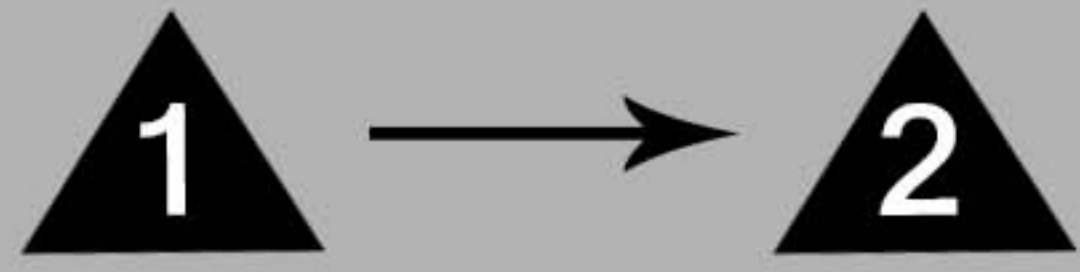
E-mail: cs.helper01@gmail.com

STEP 10

Parts required



X1 12pcs

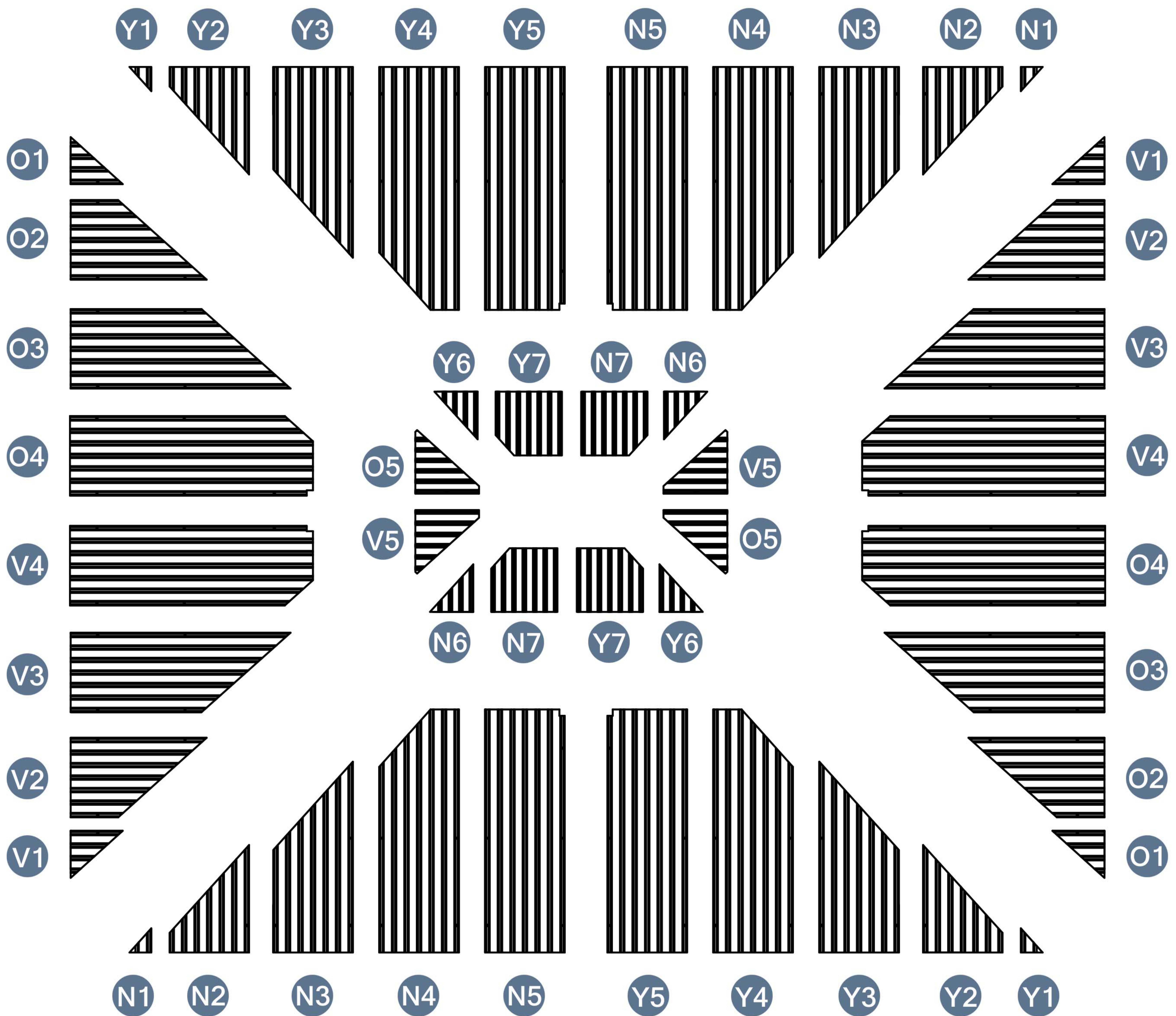
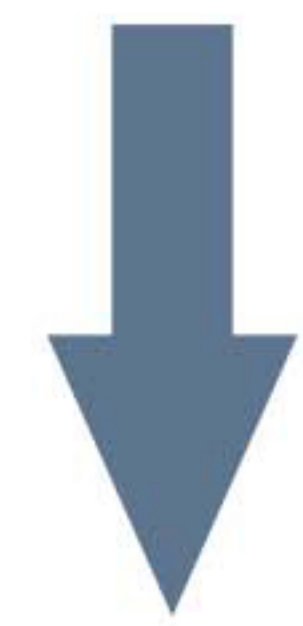


Please take care of the screws and contact the after-sales service if there is any problem with the installation or parts.

➔ E-mail: cs.helper01@gmail.com

STEP 11

Parts required



Place the accessories as shown in the figure for easy installation.

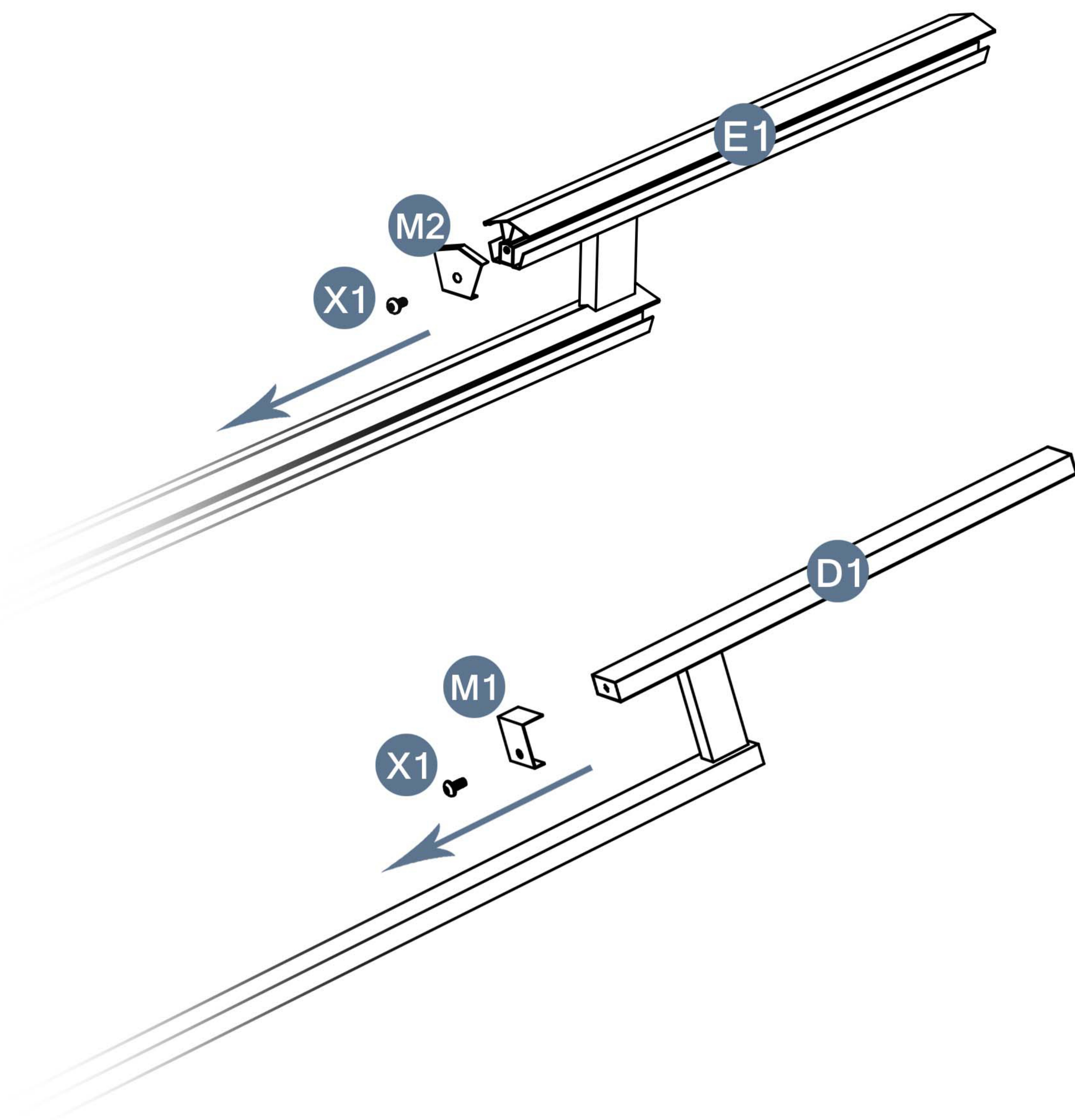
Please take care of the screws and contact the after-sales service if there is any problem with the installation or parts.



E-mail: cs.helper01@gmail.com

To prevent the loss of M2 and M1
we mounted the M2 and M1 on top of the E1 and D1 ahead of time

Before installing step 12, please remove the 4 M2's
and 2 M1's from the part E1 and D1. (Reinstall them during step 13) .

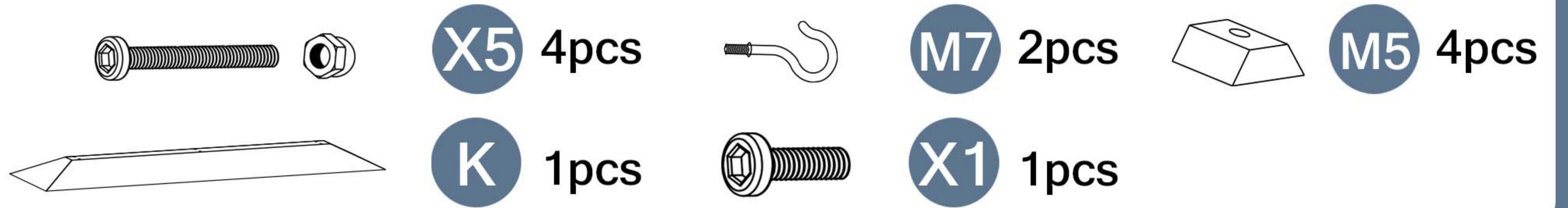


Please take care of the screws and contact the after-sales service if there is any problem with the installation or parts.

➔ ✉ E-mail: cs.helper01@gmail.com

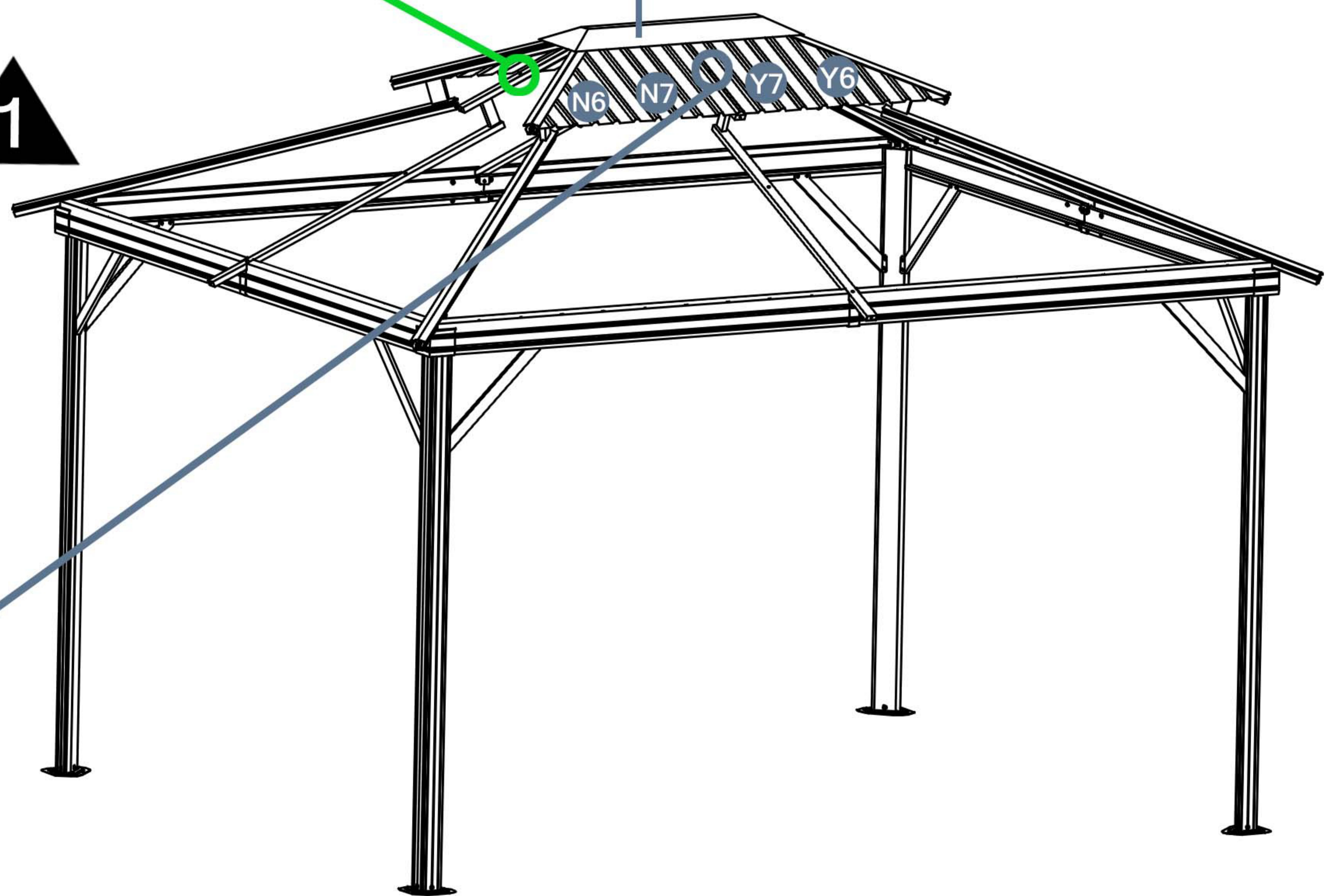
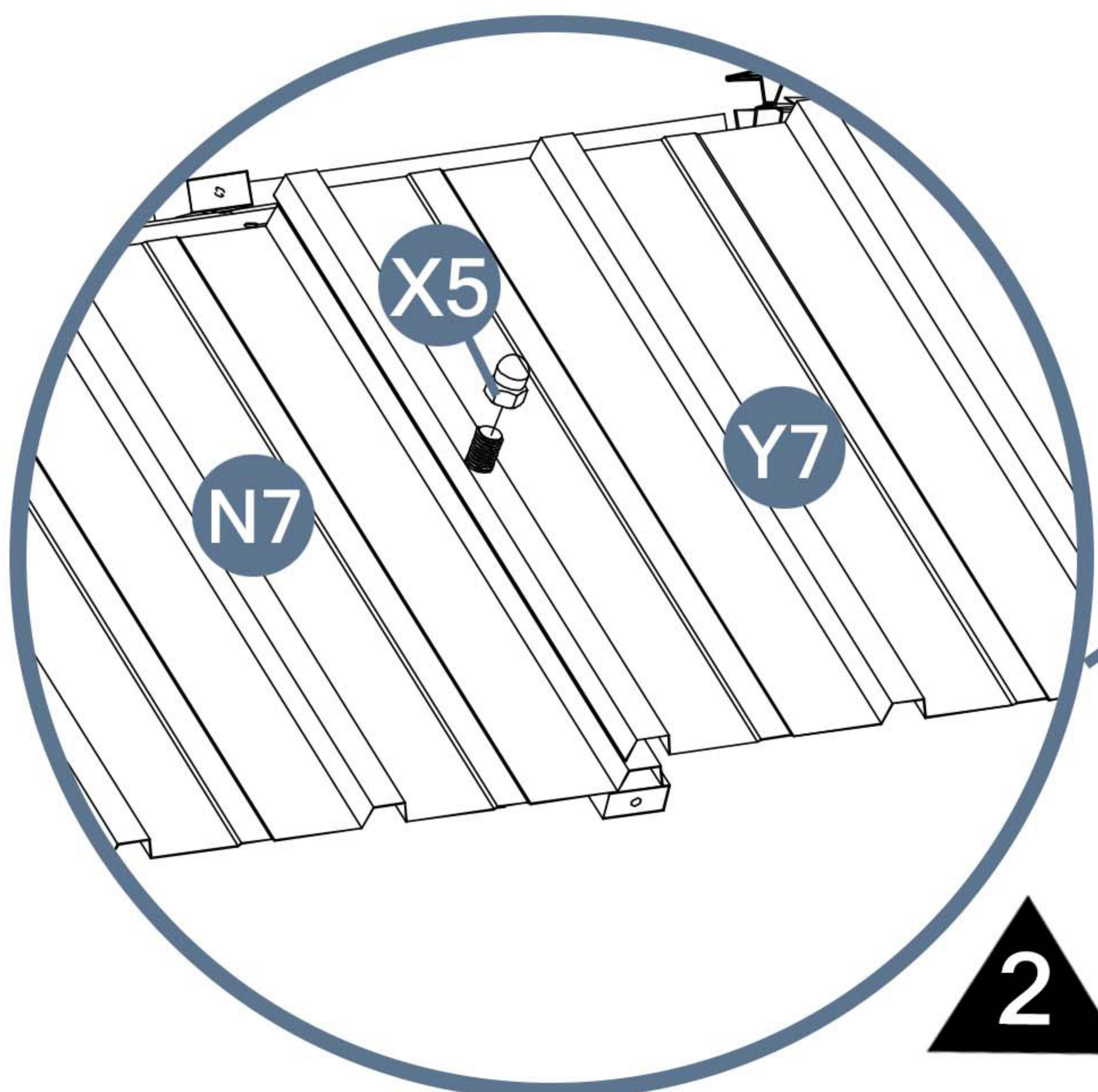
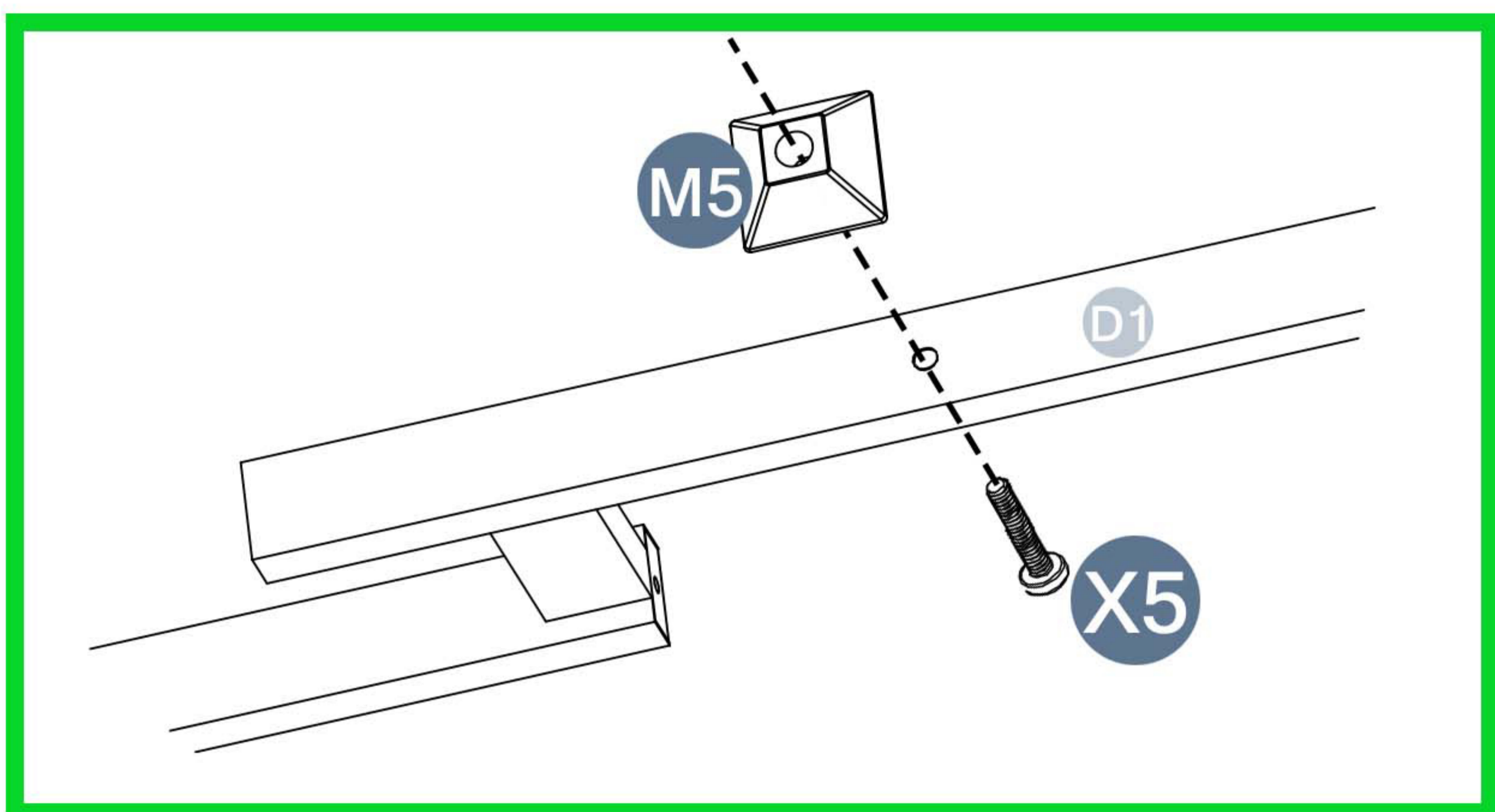
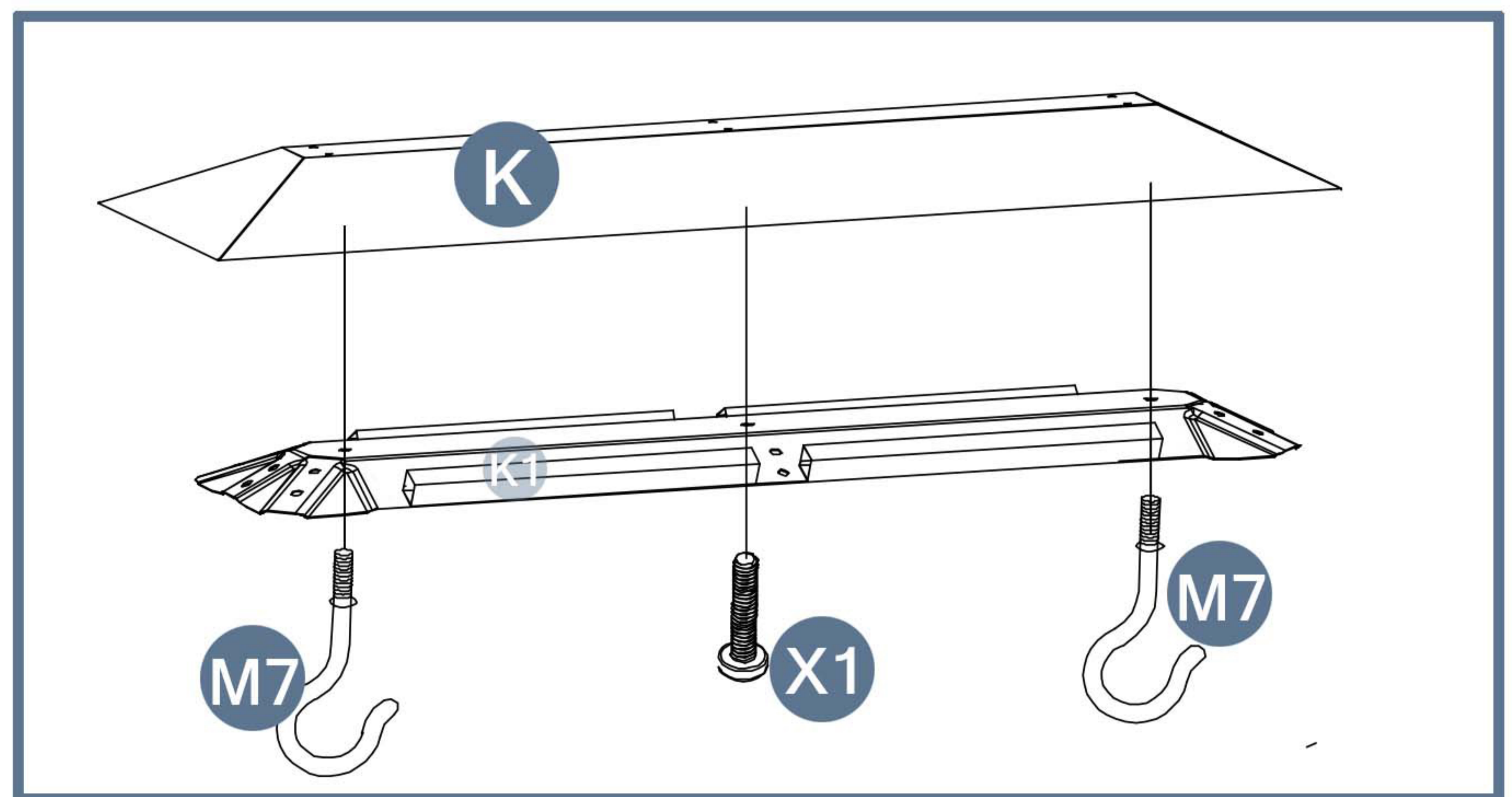
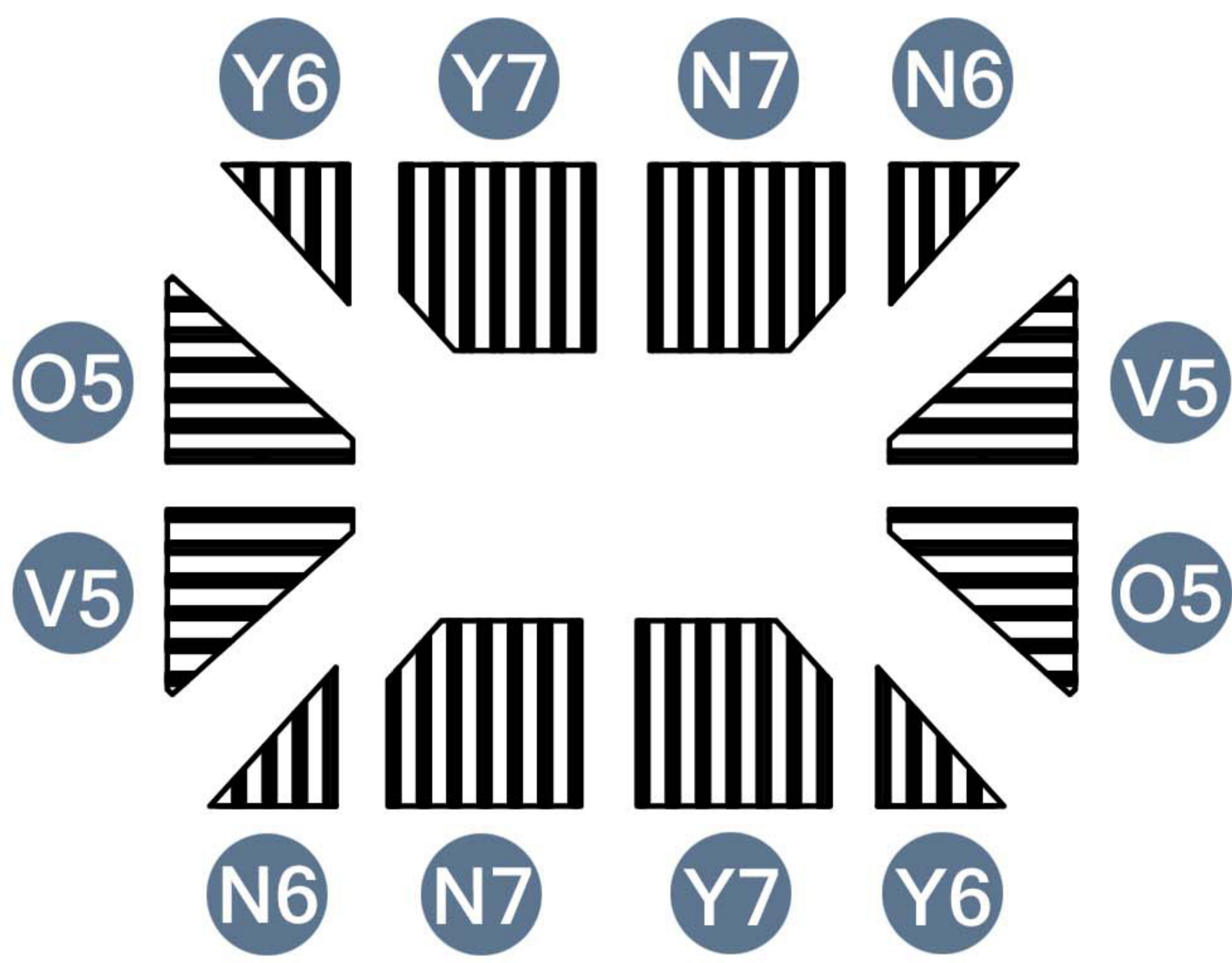
STEP 12

Parts required



Please refer to the image P1-1 for installation.

! For ease of installation, leave one panel while installing the step 2. After completing the step 3, install the remaining panel.



Please take care of the screws and contact the after-sales service if there is any problem with the installation or parts.

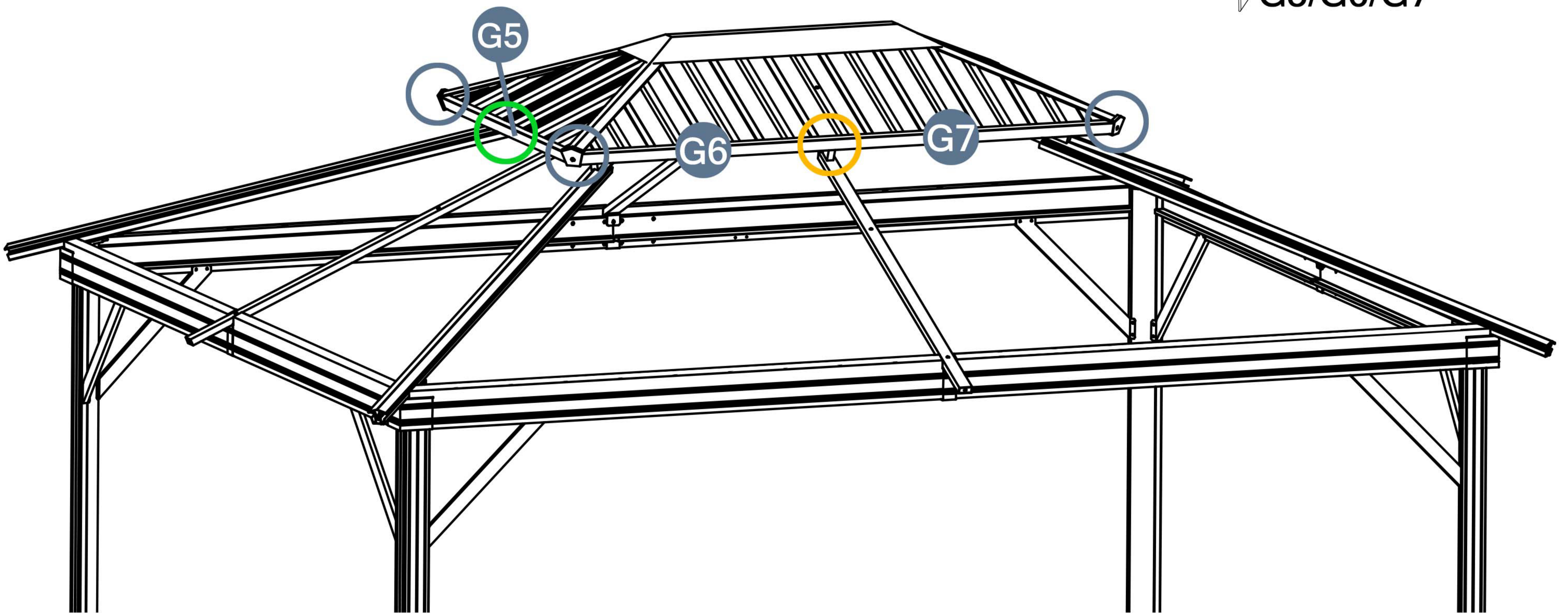
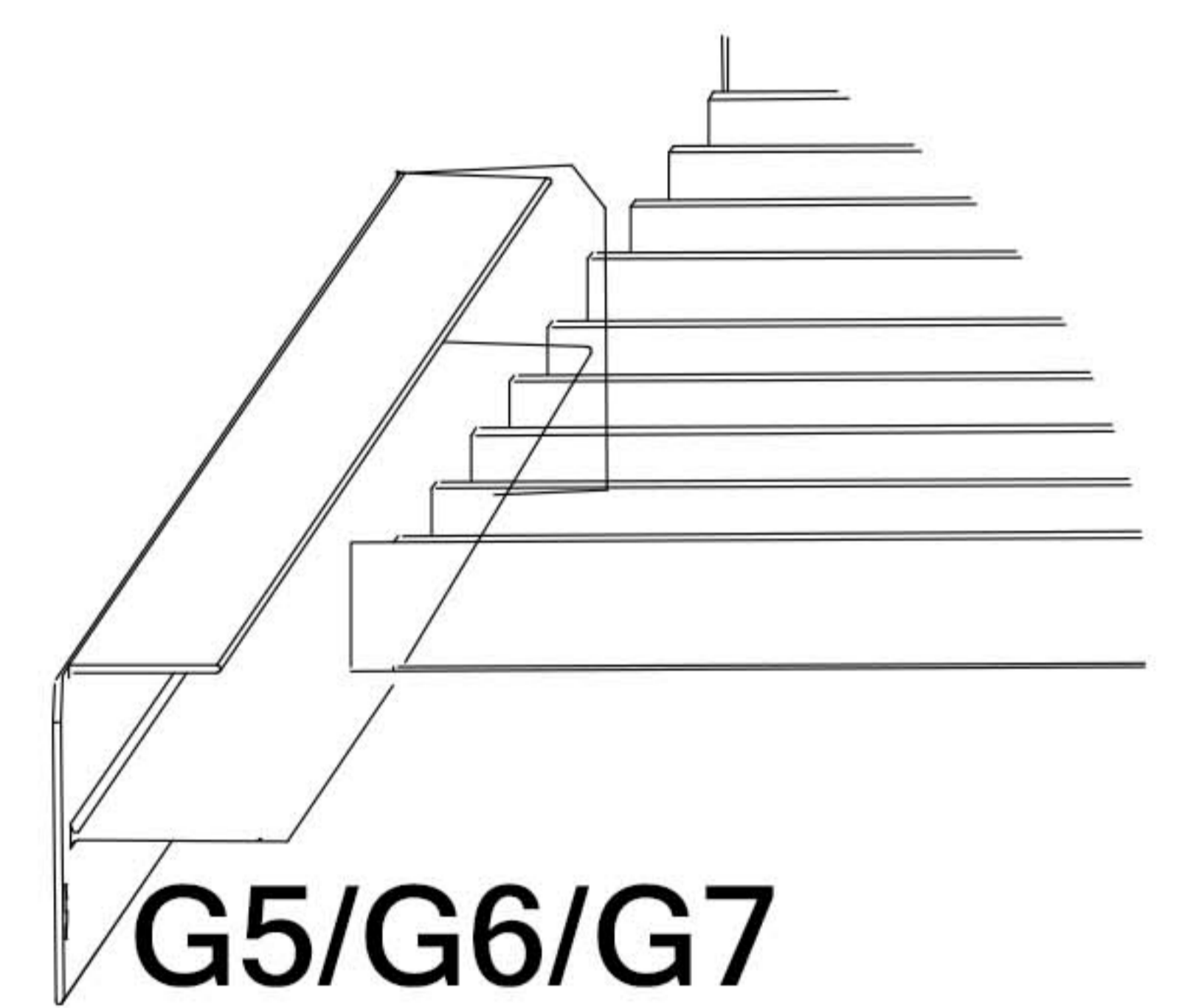
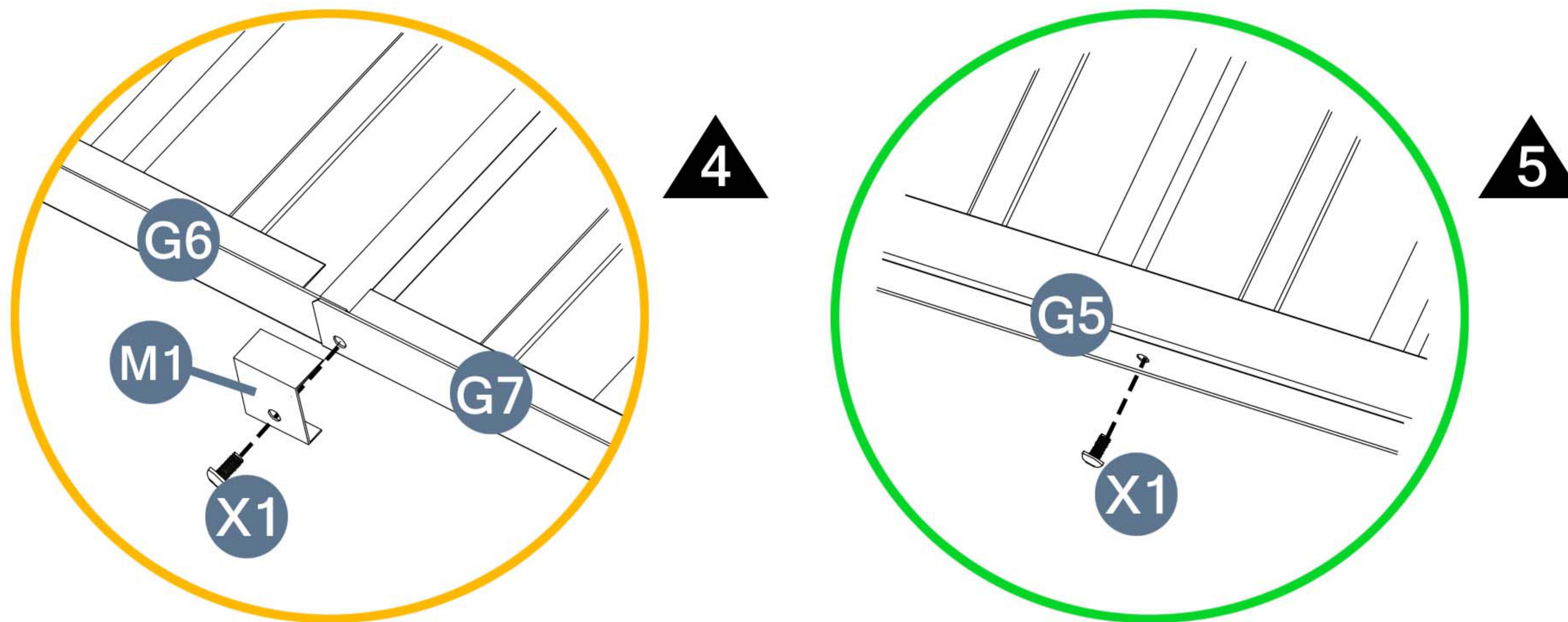
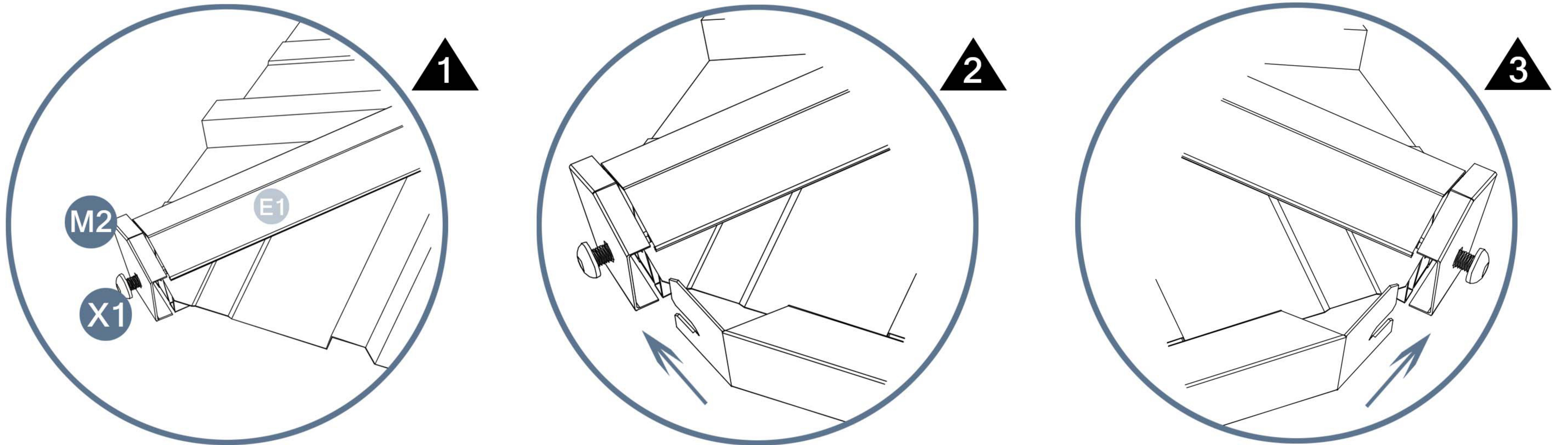
STEP 13

Parts required

	G5 2pcs		X1 8pcs
	G6 2pcs		M1 2pcs
	G7 2pcs		M2 4pcs



To better align the screws for practical situations, do not fully tighten screws initially.

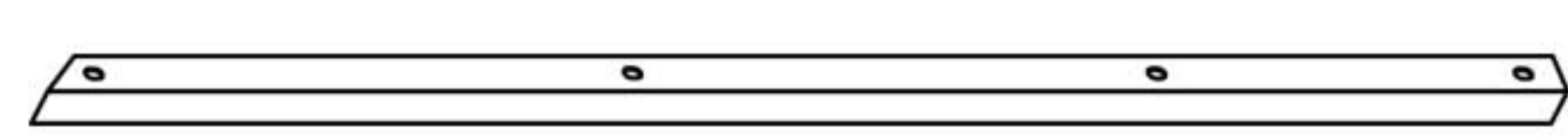


Please take care of the screws and contact the after-sales service if there is any problem with the installation or parts.

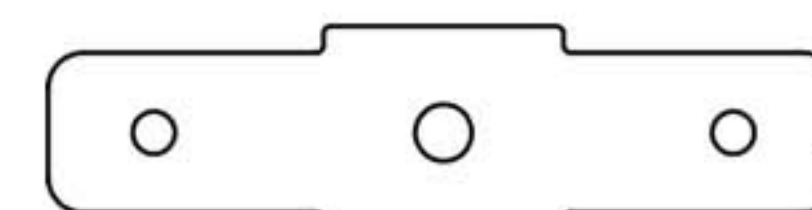
➔ ✉ E-mail: cs.helper01@gmail.com

STEP 14

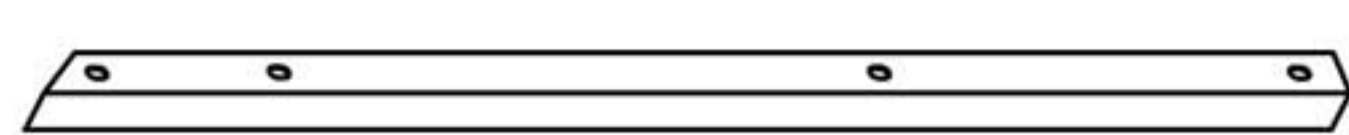
Parts required



H 4pcs



M3 4pcs

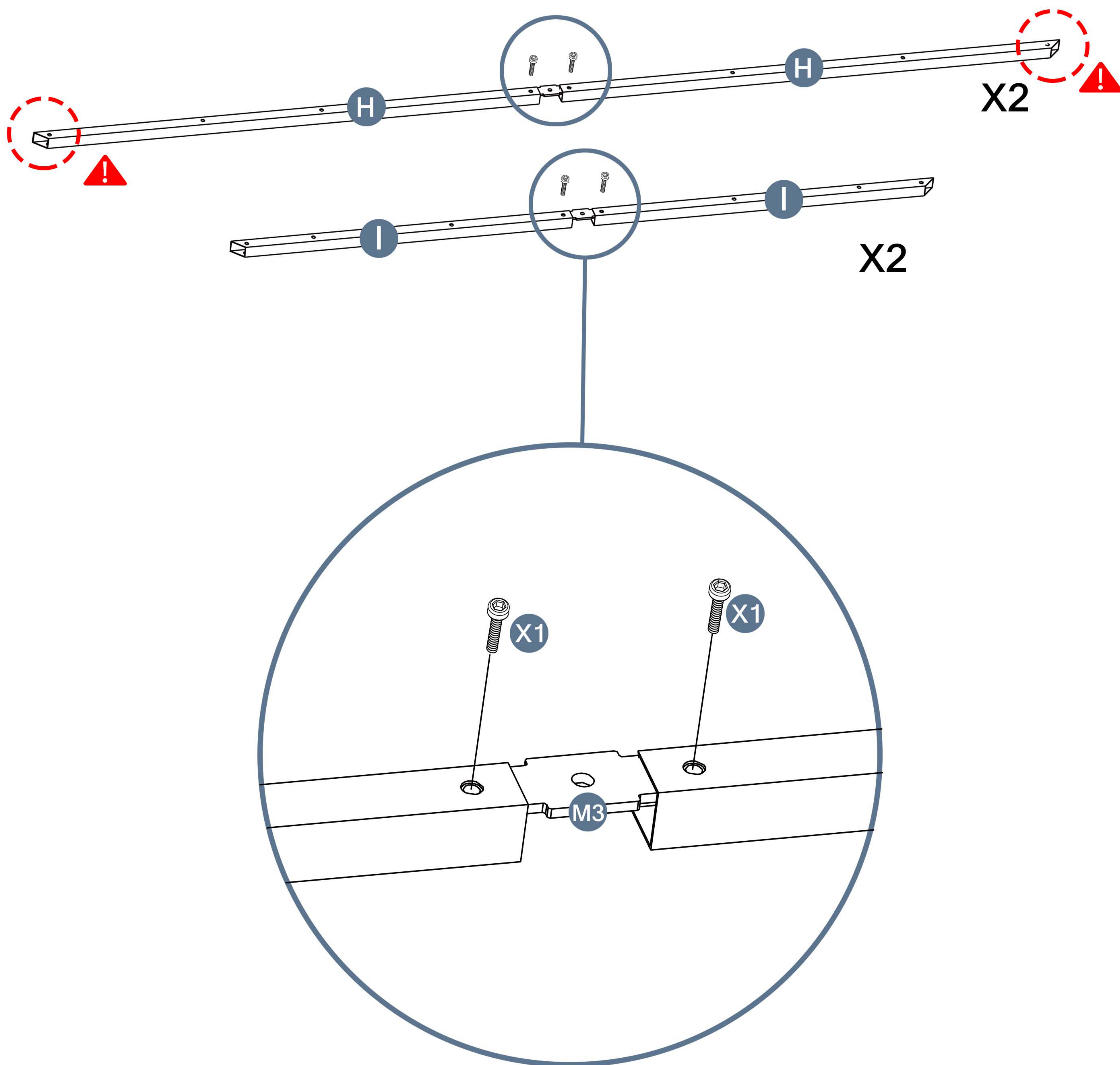


I 4pcs



X1 8pcs

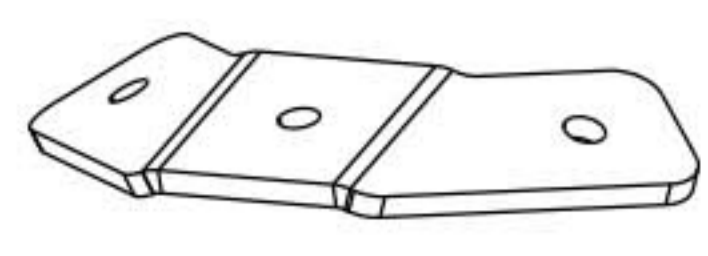
⚠ Part I and H should be placed as shown in the picture.



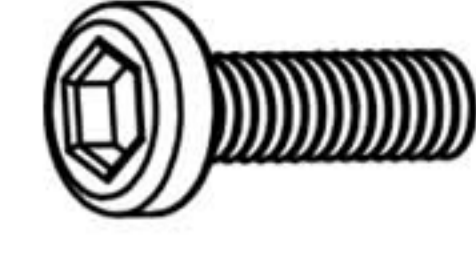
Please take care of the screws and contact the after-sales service if there is any problem with the installation or parts.

STEP 15

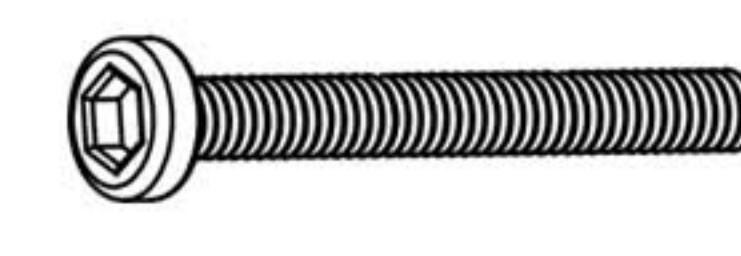
Parts required



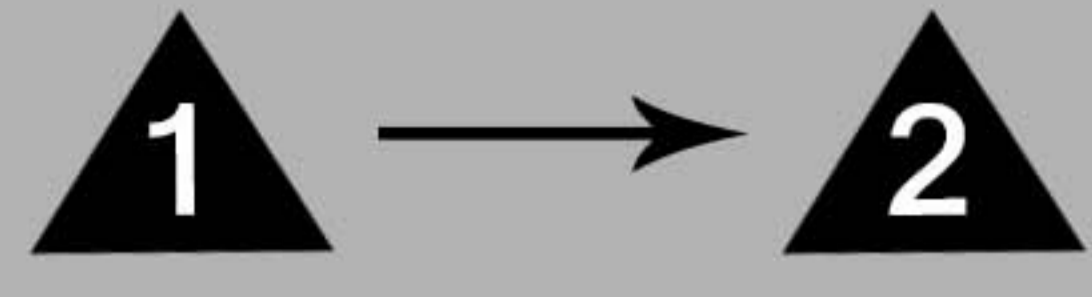
M4 4pcs



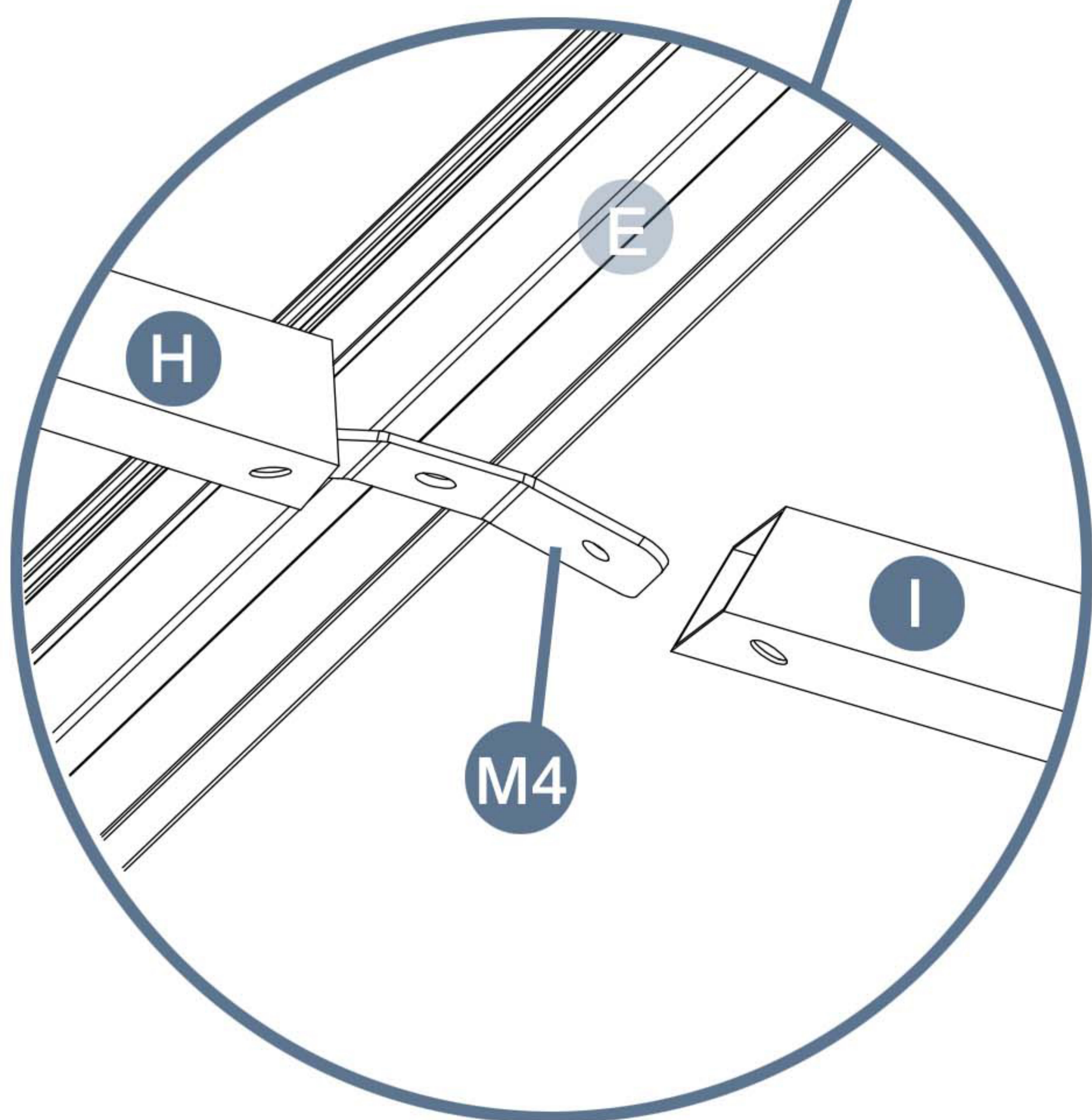
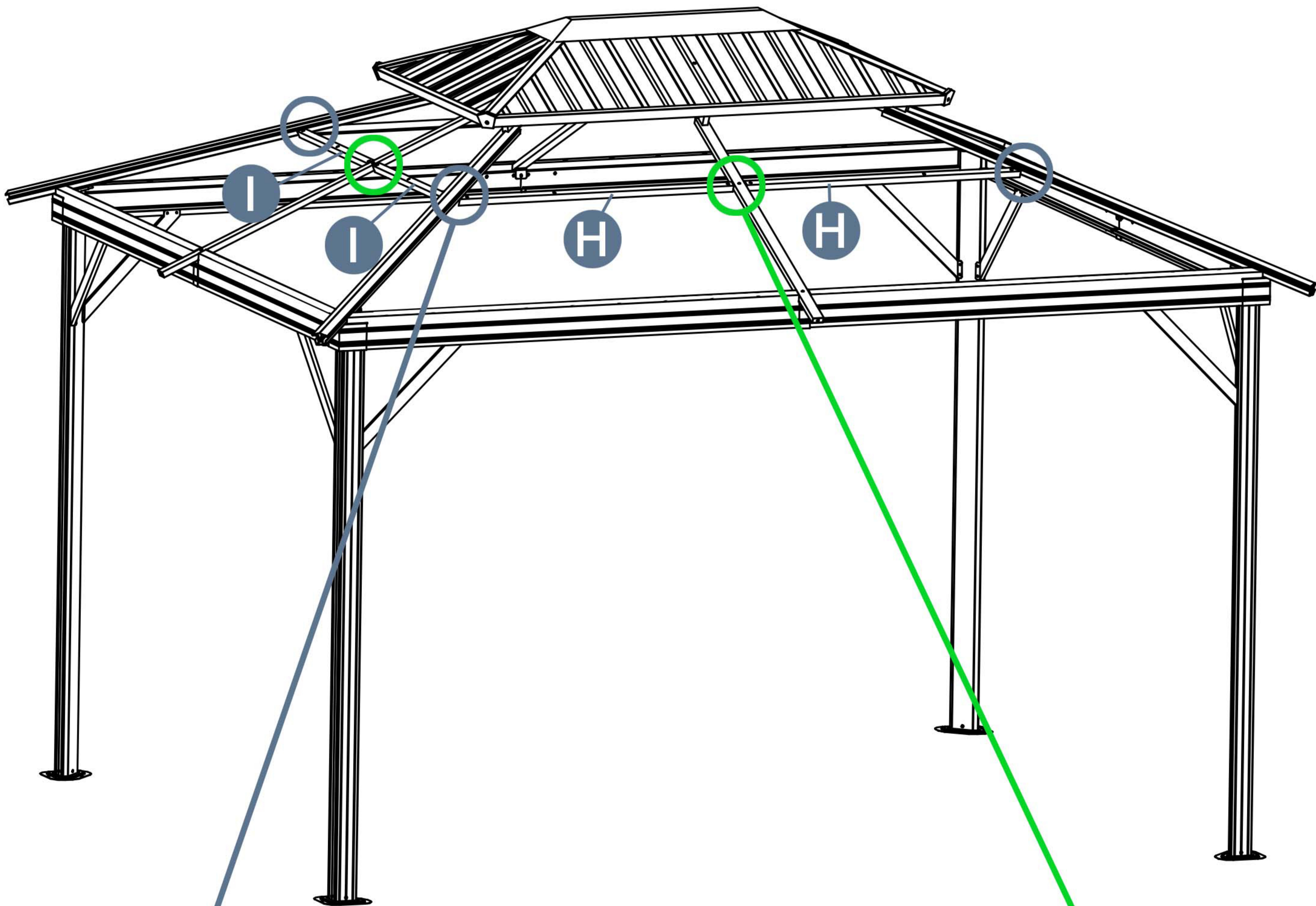
X1 12pcs



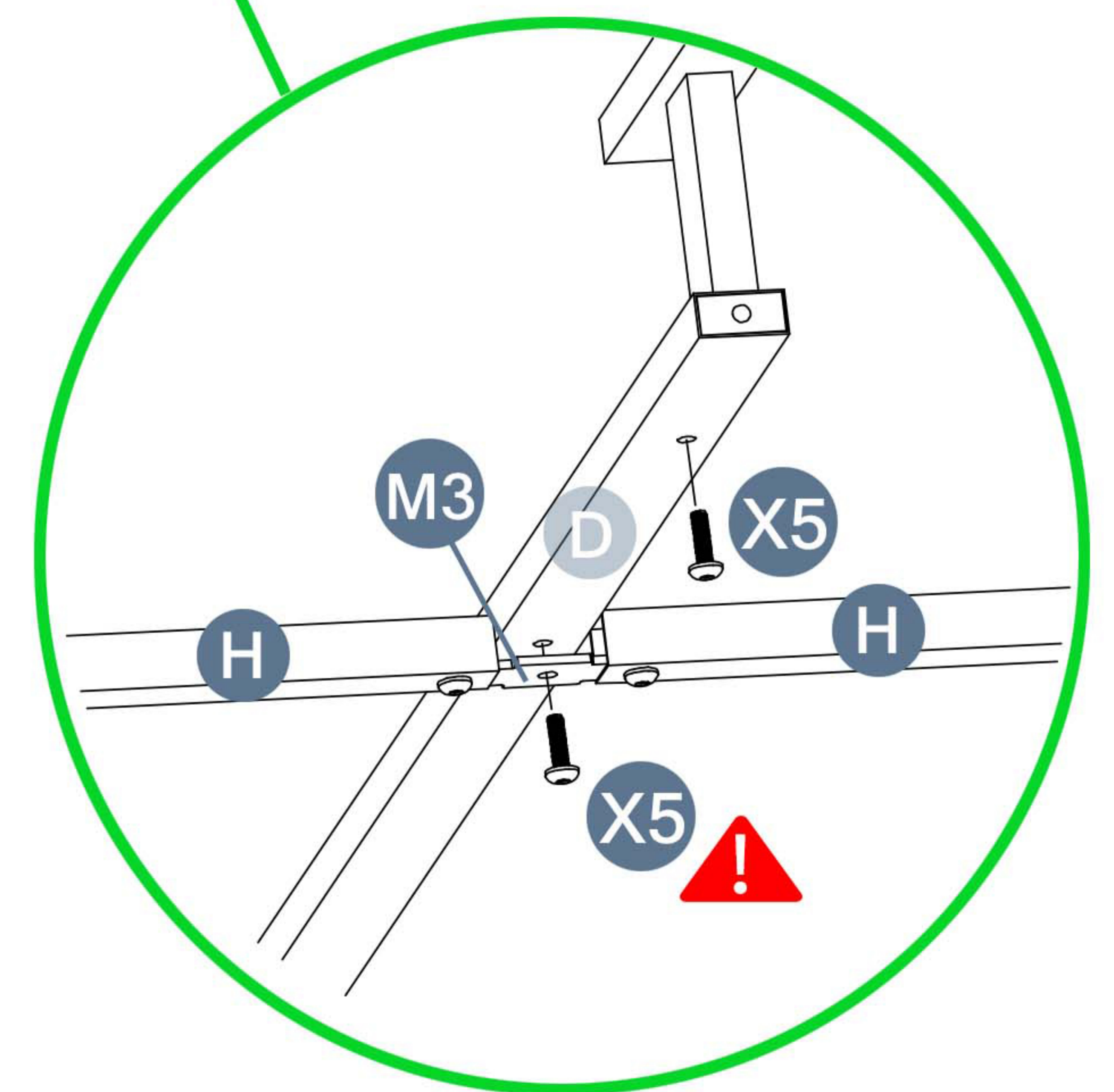
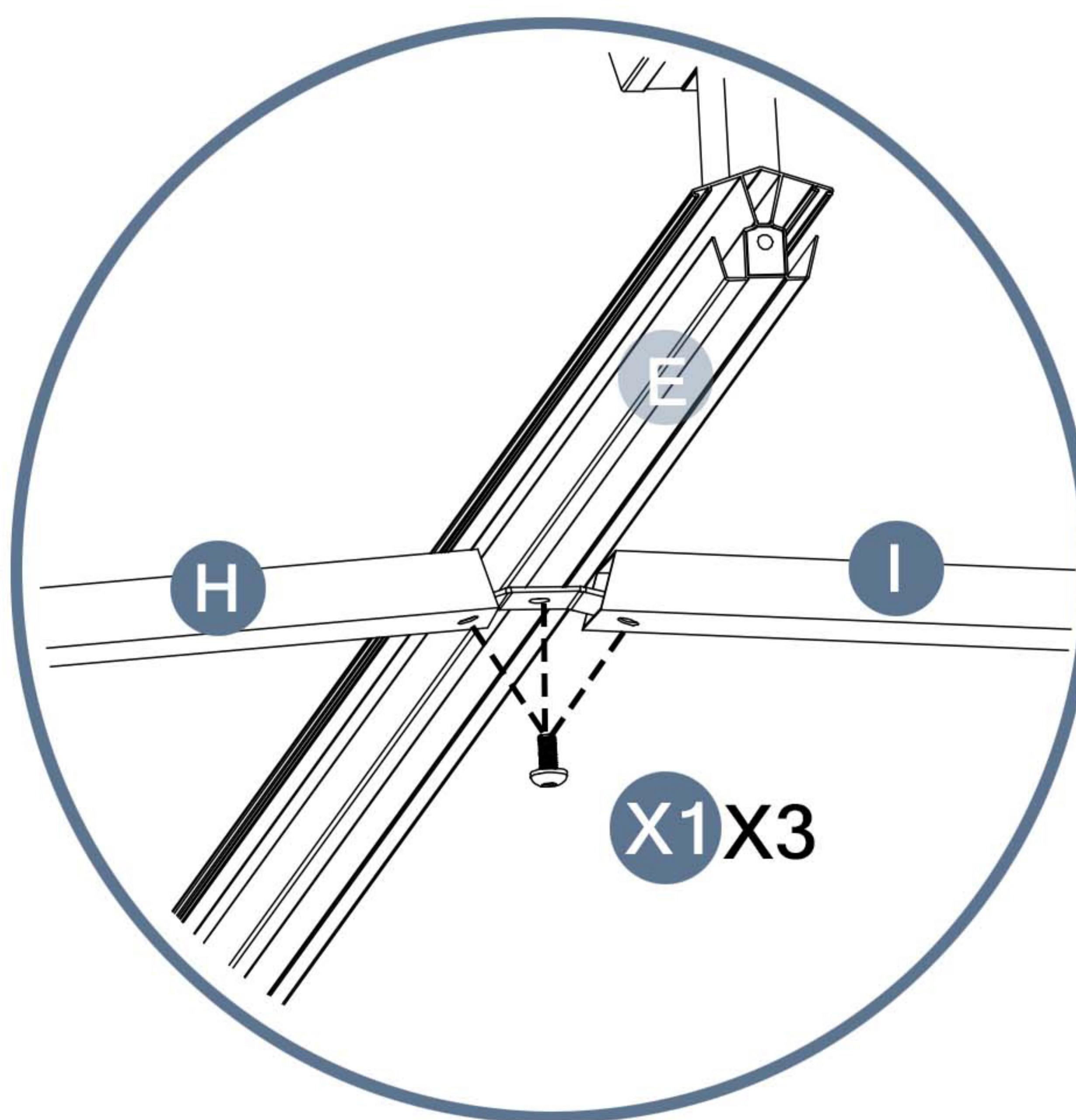
X5 8pcs



⚠ Only X5 screws are used in this step. Please store the X5 nuts. Steps 16 and 17 will be used.
To better align the screws for practical situations, do not fully tighten screws initially.



1



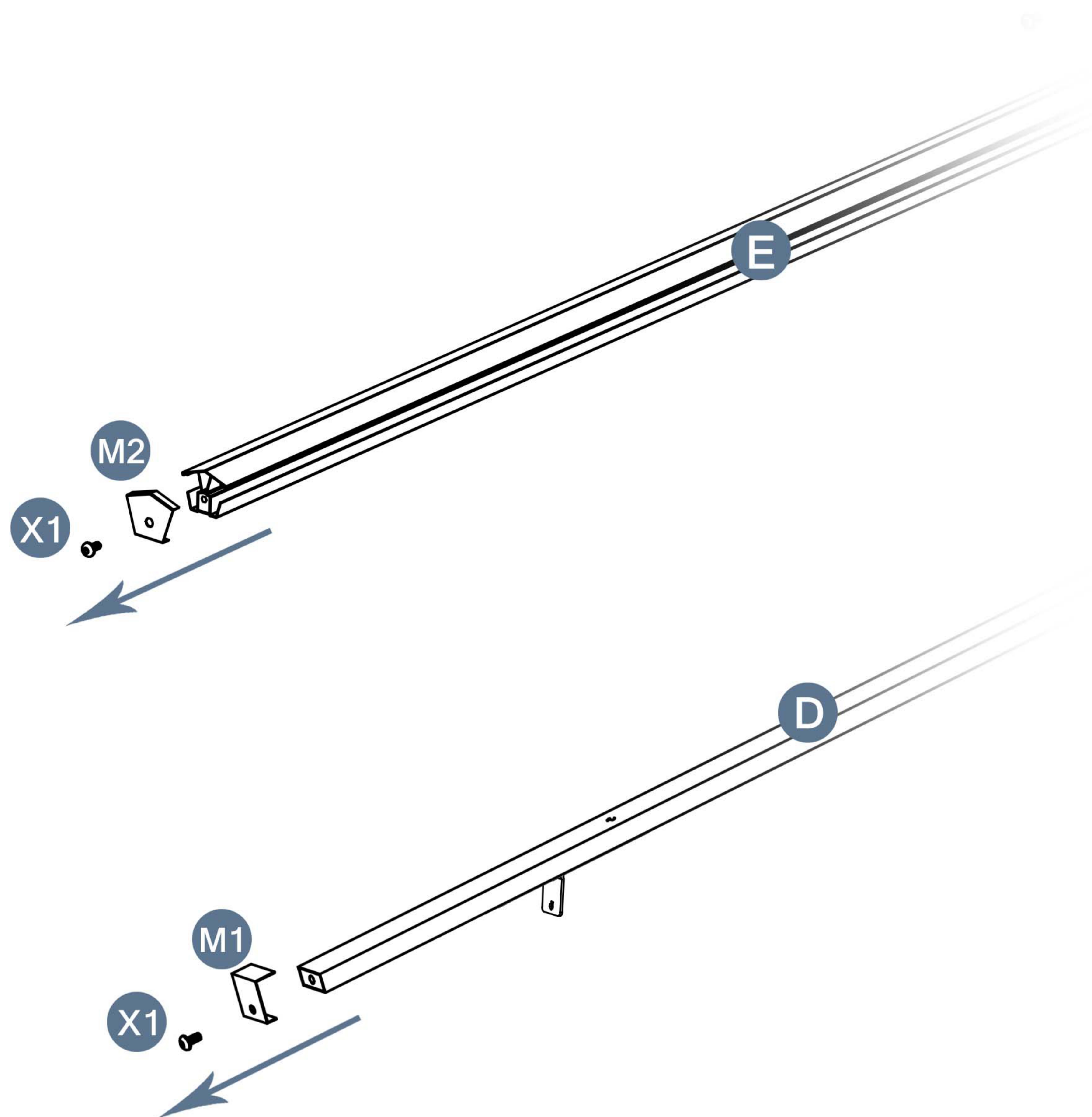
2

Please take care of the screws and contact the after-sales service if there is any problem with the installation or parts.

➔ ✉ E-mail: cs.helper01@gmail.com

To prevent the loss of M2 and M1
we mounted the M2 and M1 on top of the E and D ahead of time

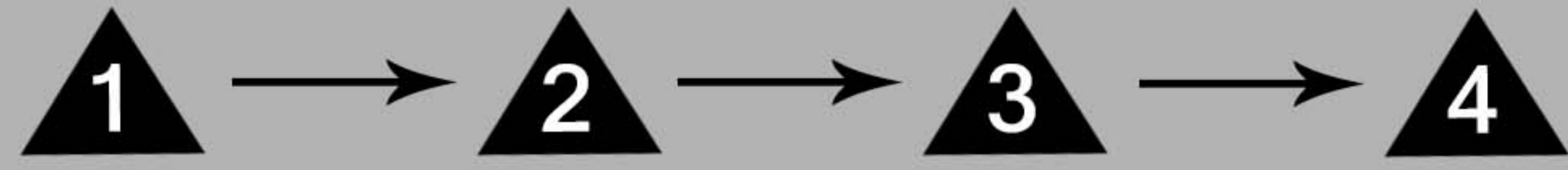
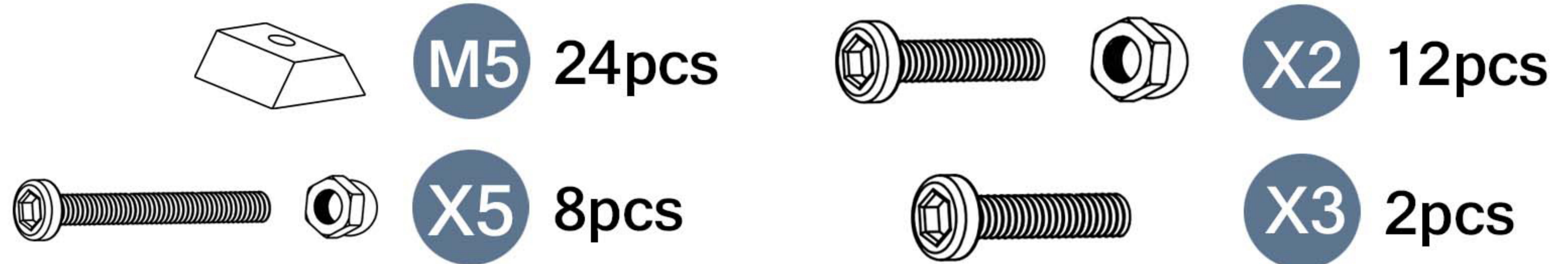
Before installing step 16, please remove the 4 M2's
and 4 M1's from the part E and D. (Reinstall them during step 18) .



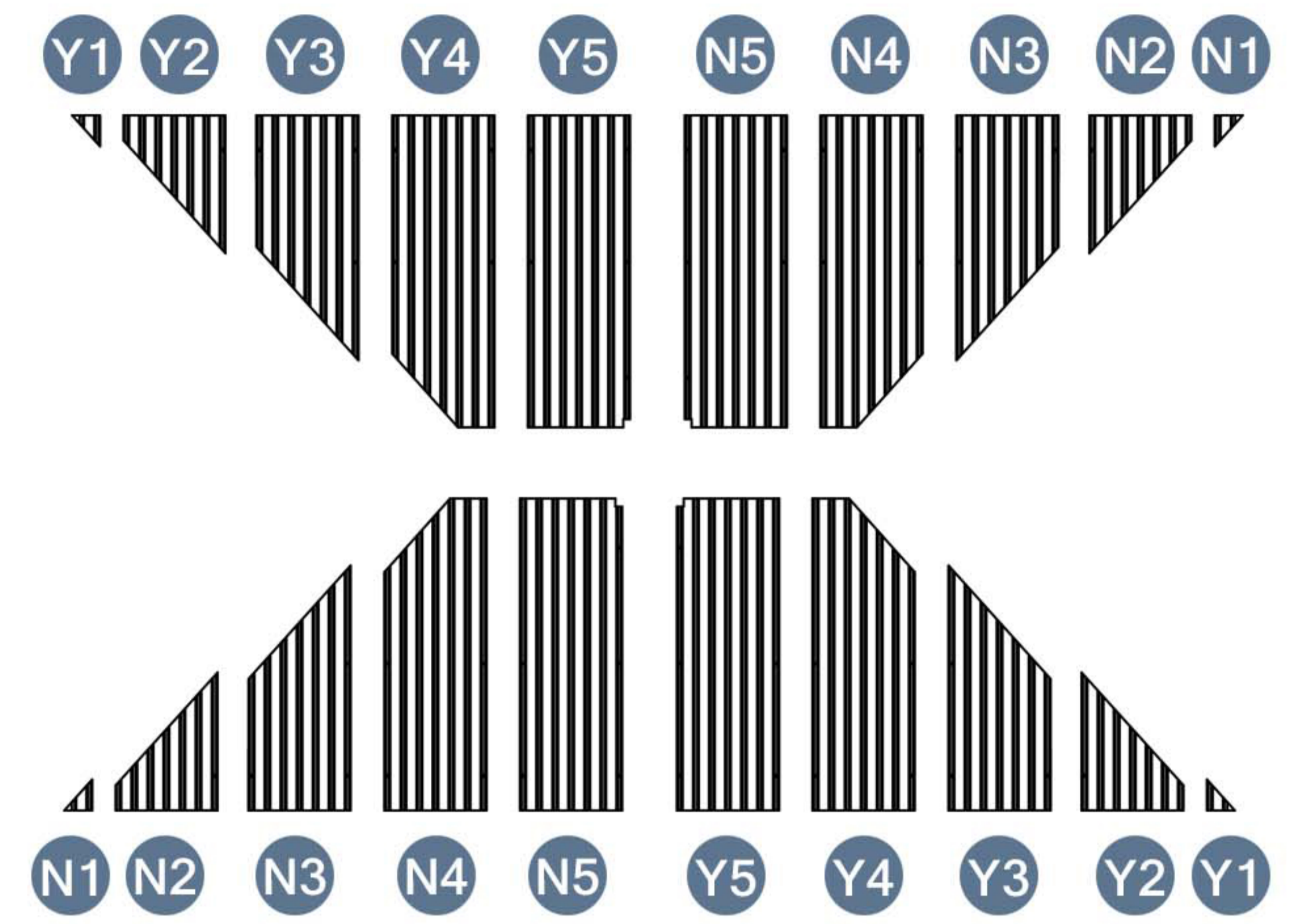
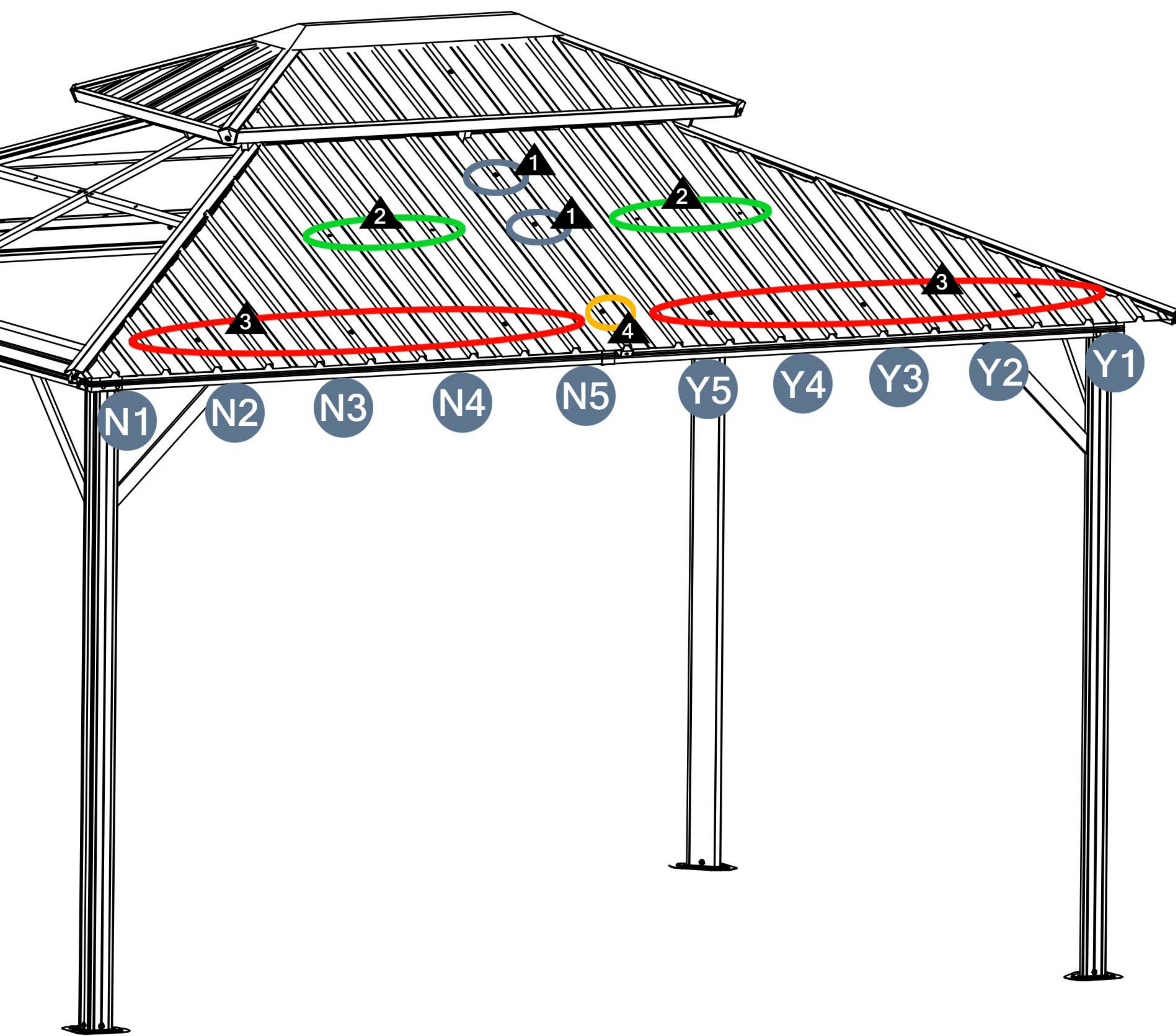
Please take care of the screws and contact the after-sales service if there is any problem with the installation or parts.

STEP 16

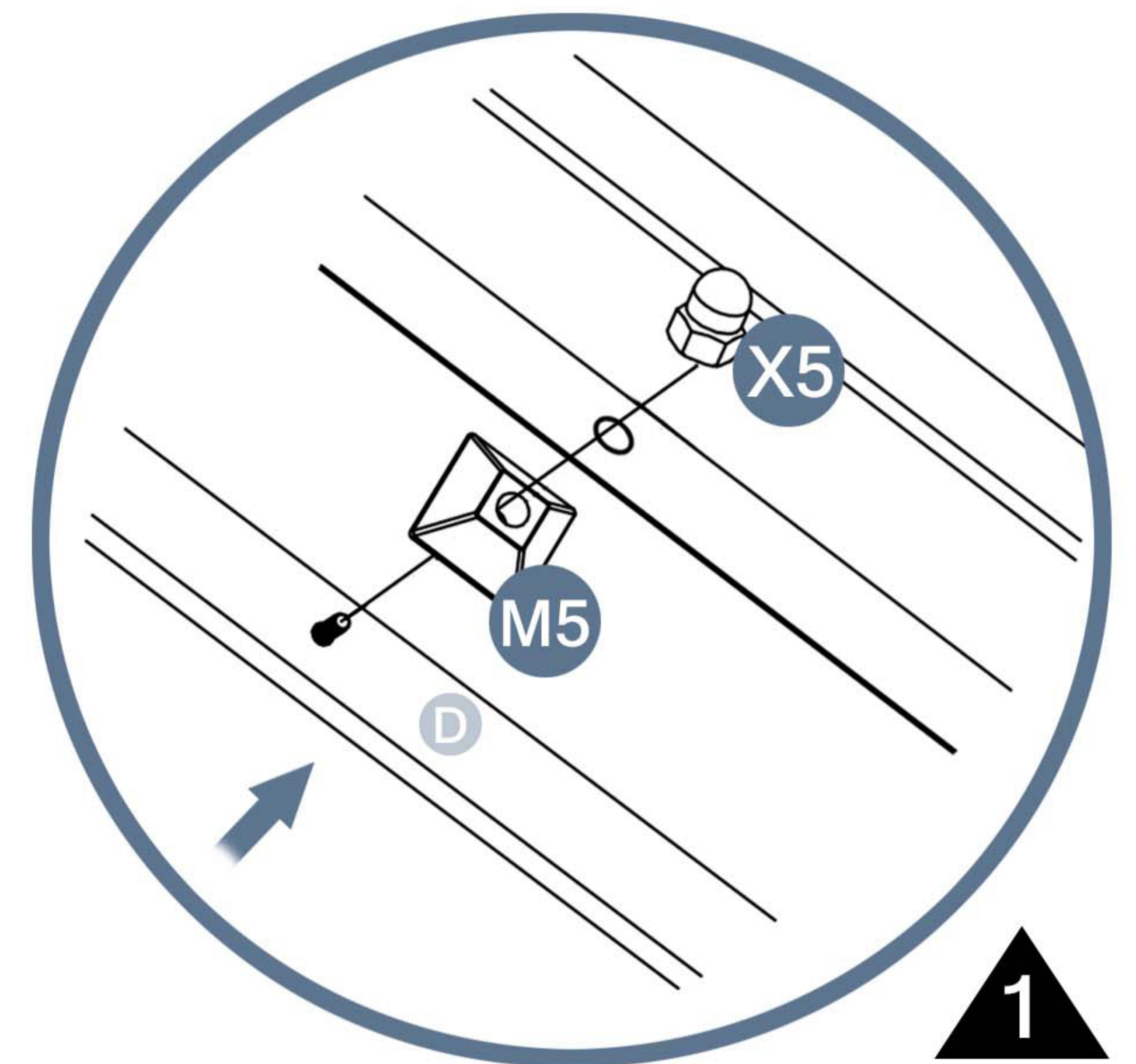
Parts required



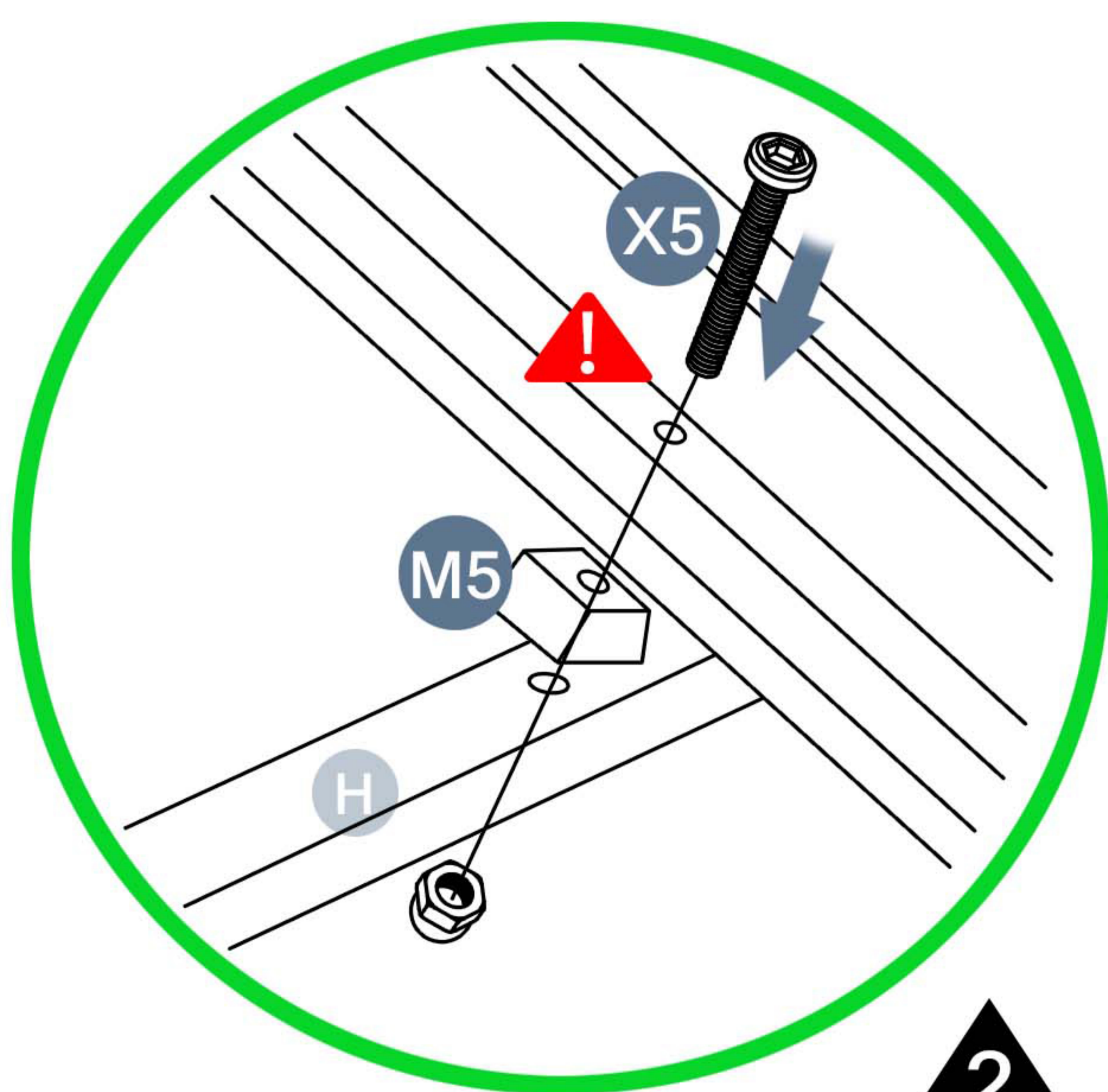
! Please refer to the image P2-1 for installation. Pay attention to the type of screw and the installation direction.



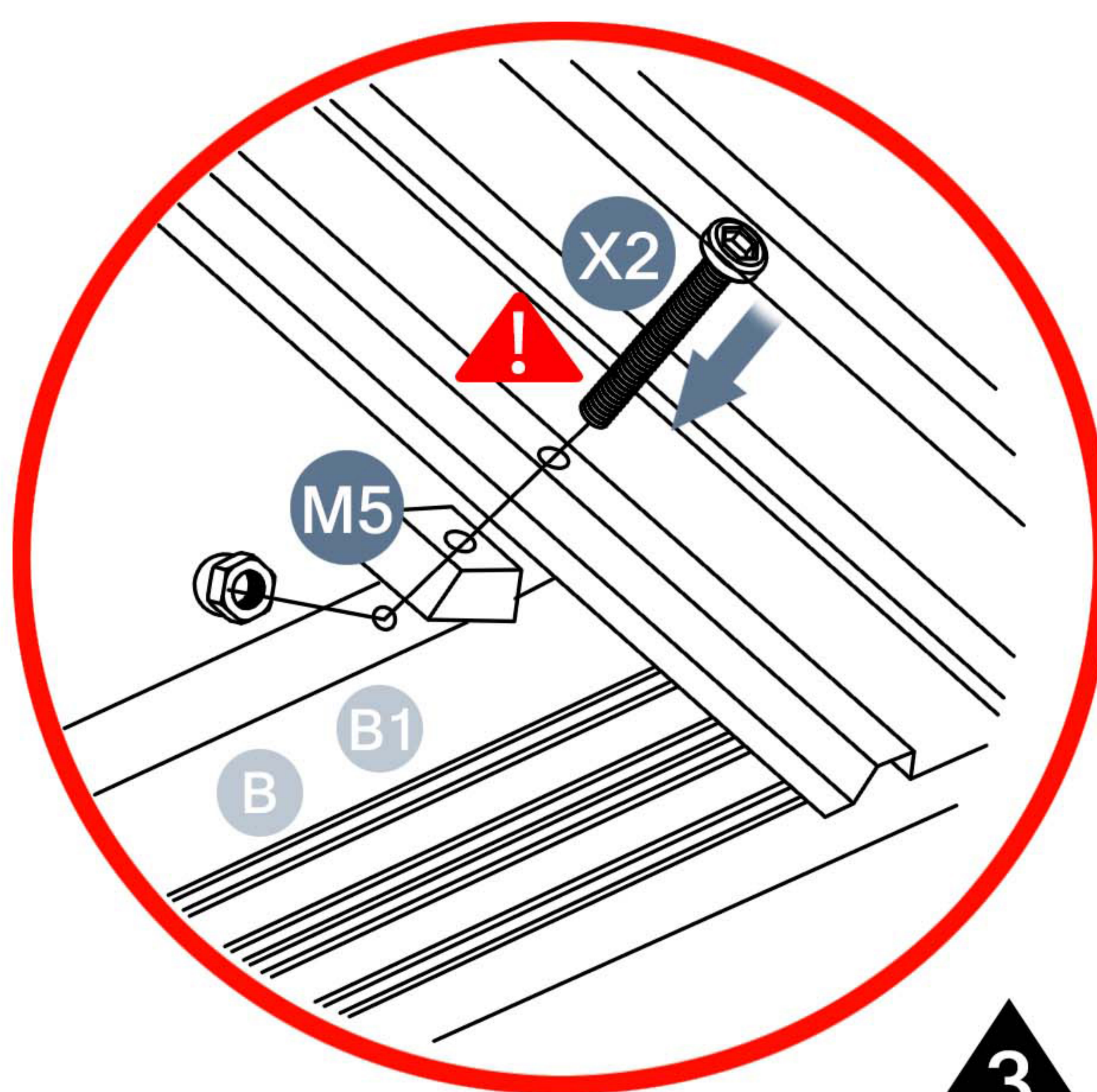
• P2-1



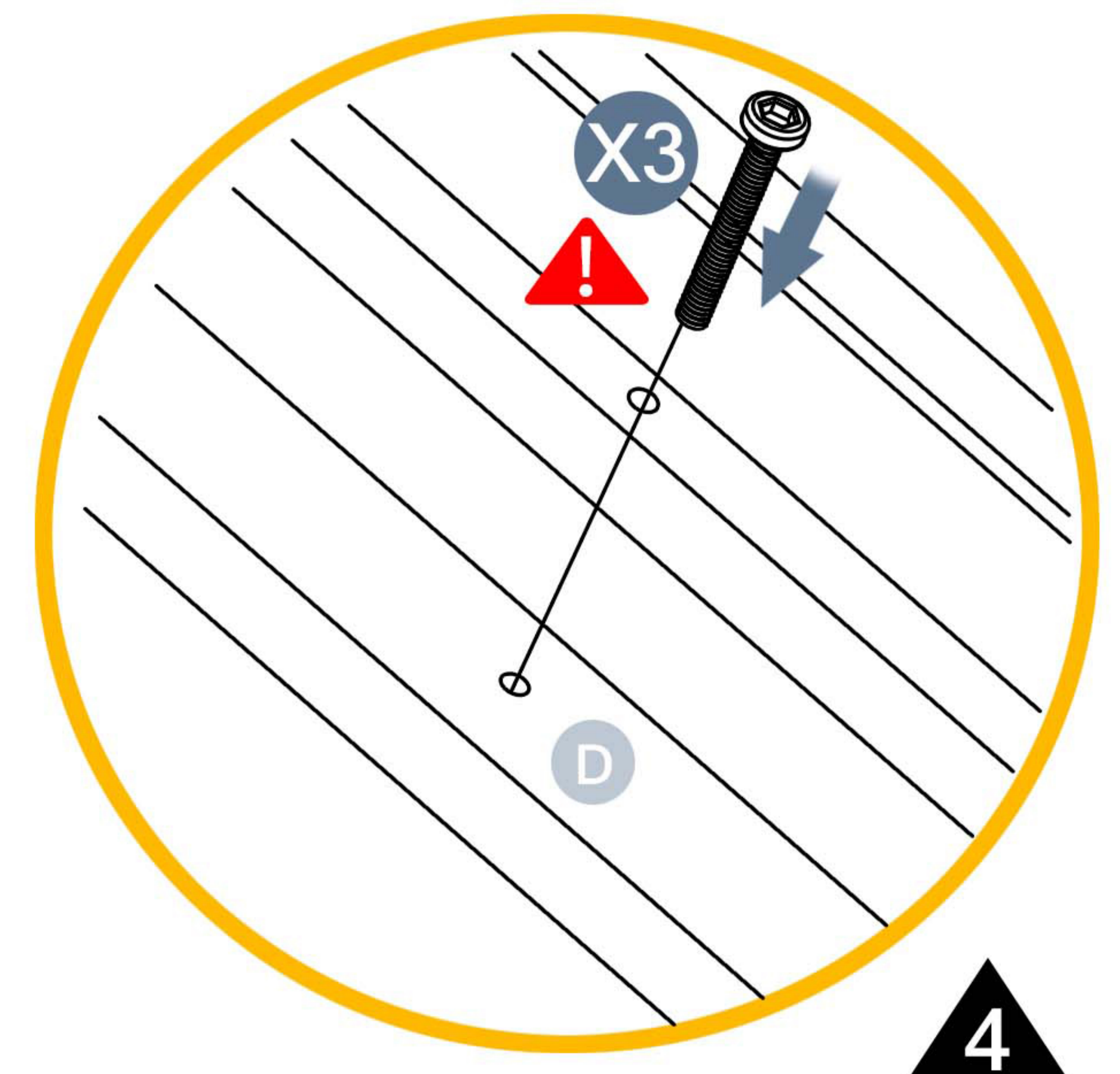
1



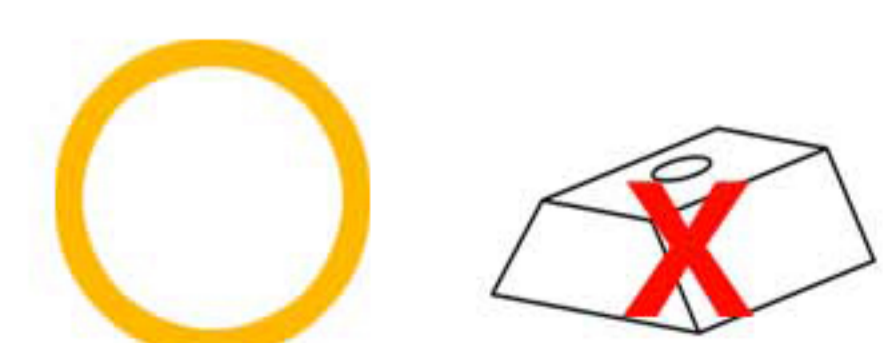
2



3



4



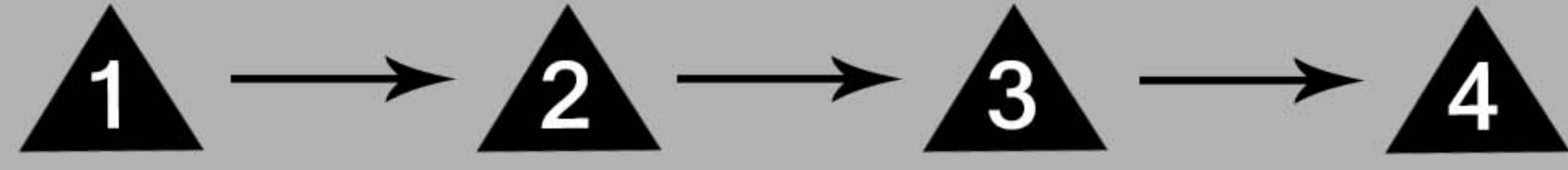
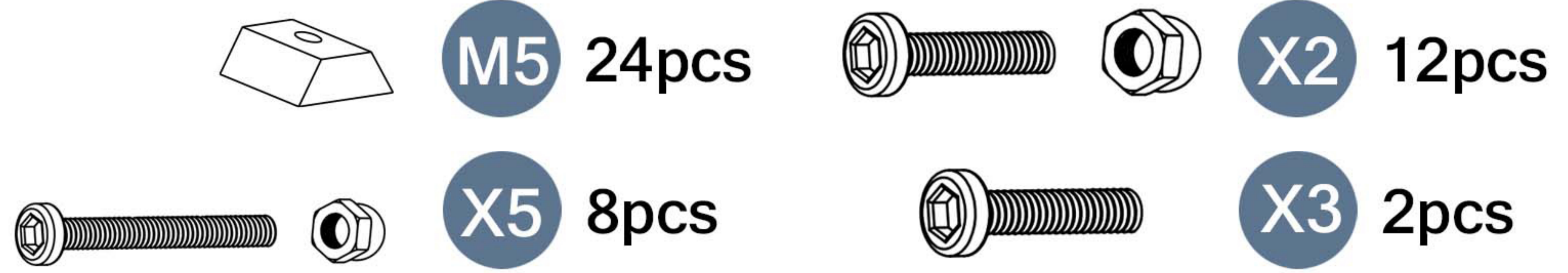
M5 is not needed in the yellow circle.

Please take care of the screws and contact the after-sales service if there is any problem with the installation or parts.

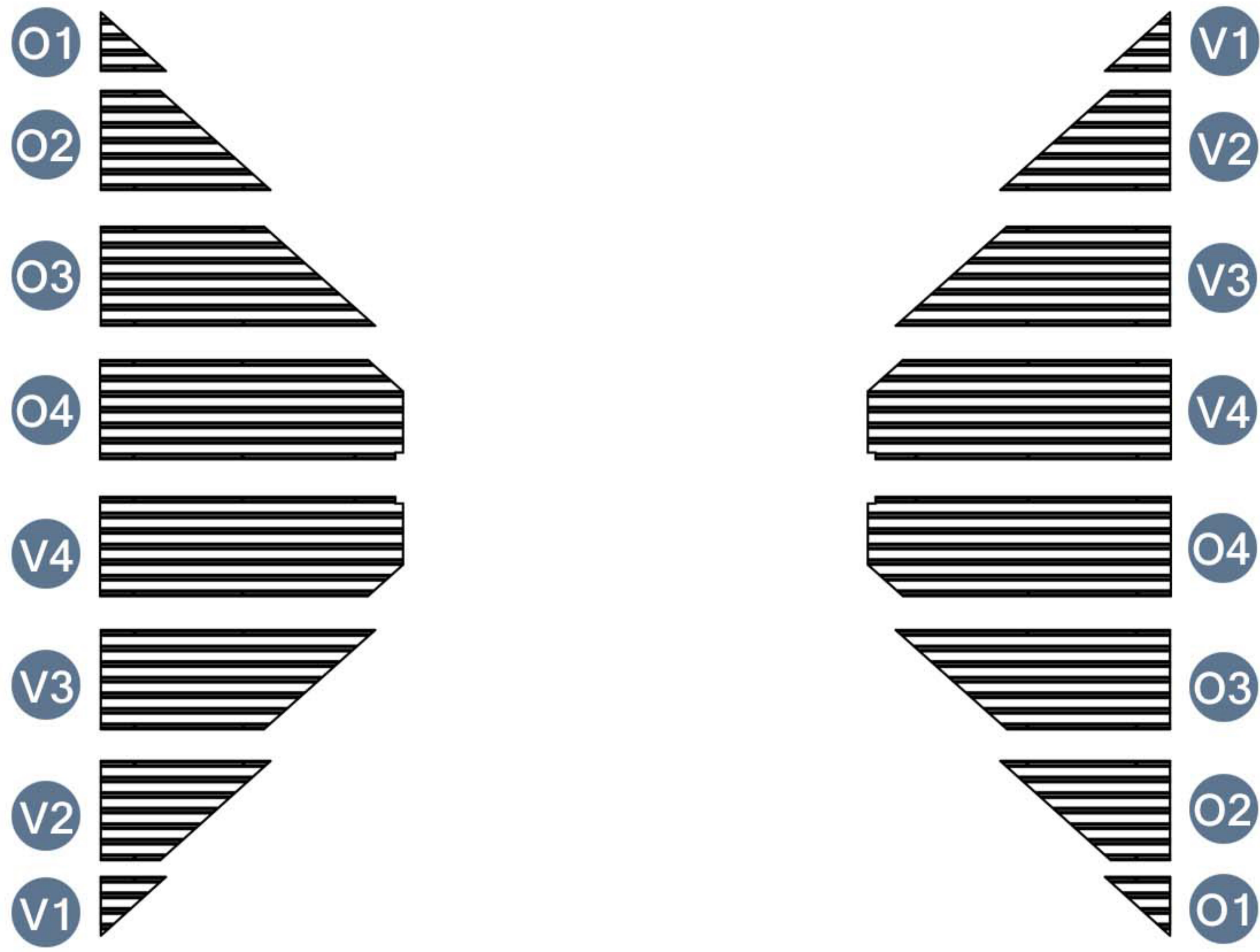
➔ E-mail: cs.helper01@gmail.com

STEP 17

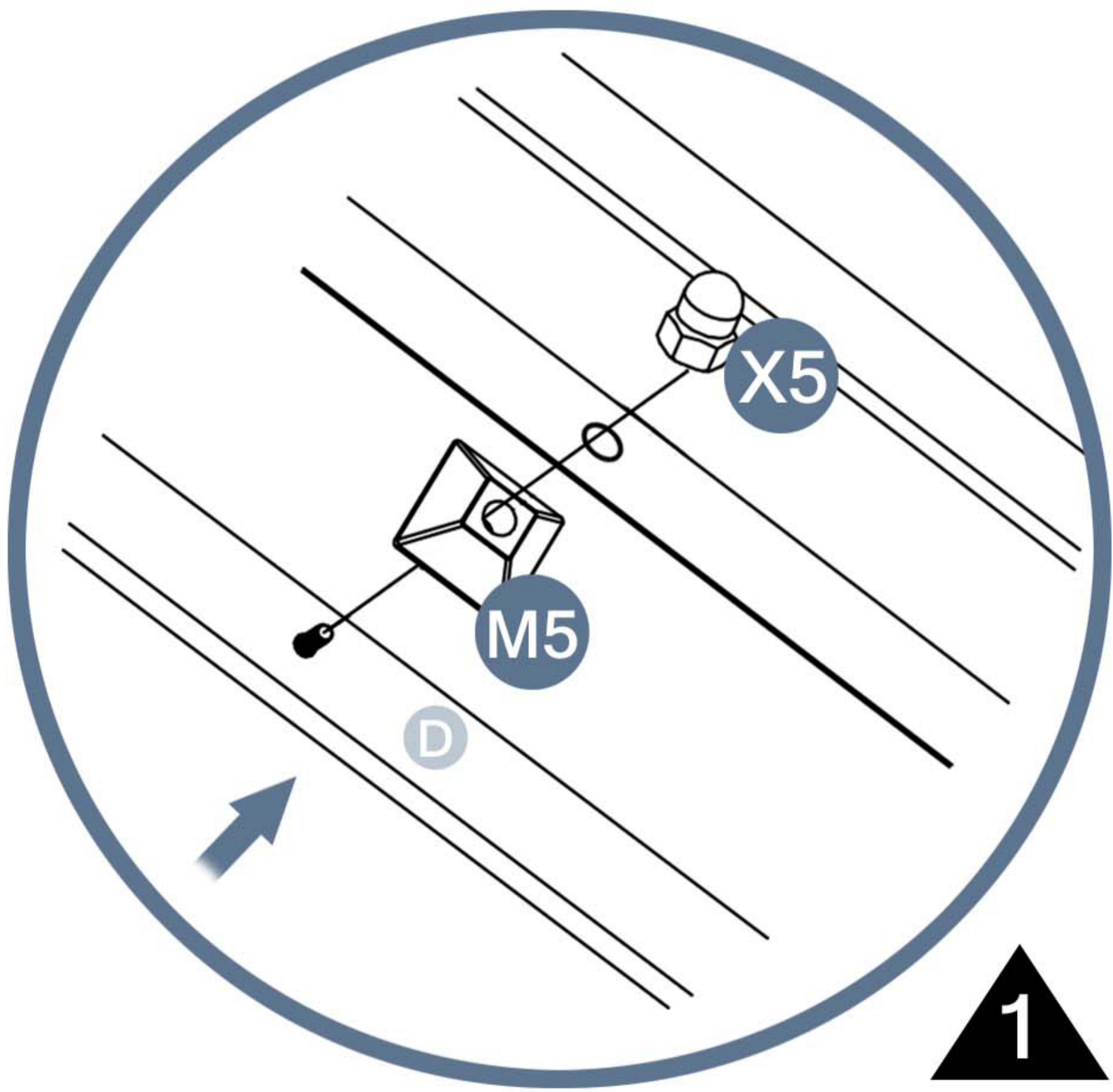
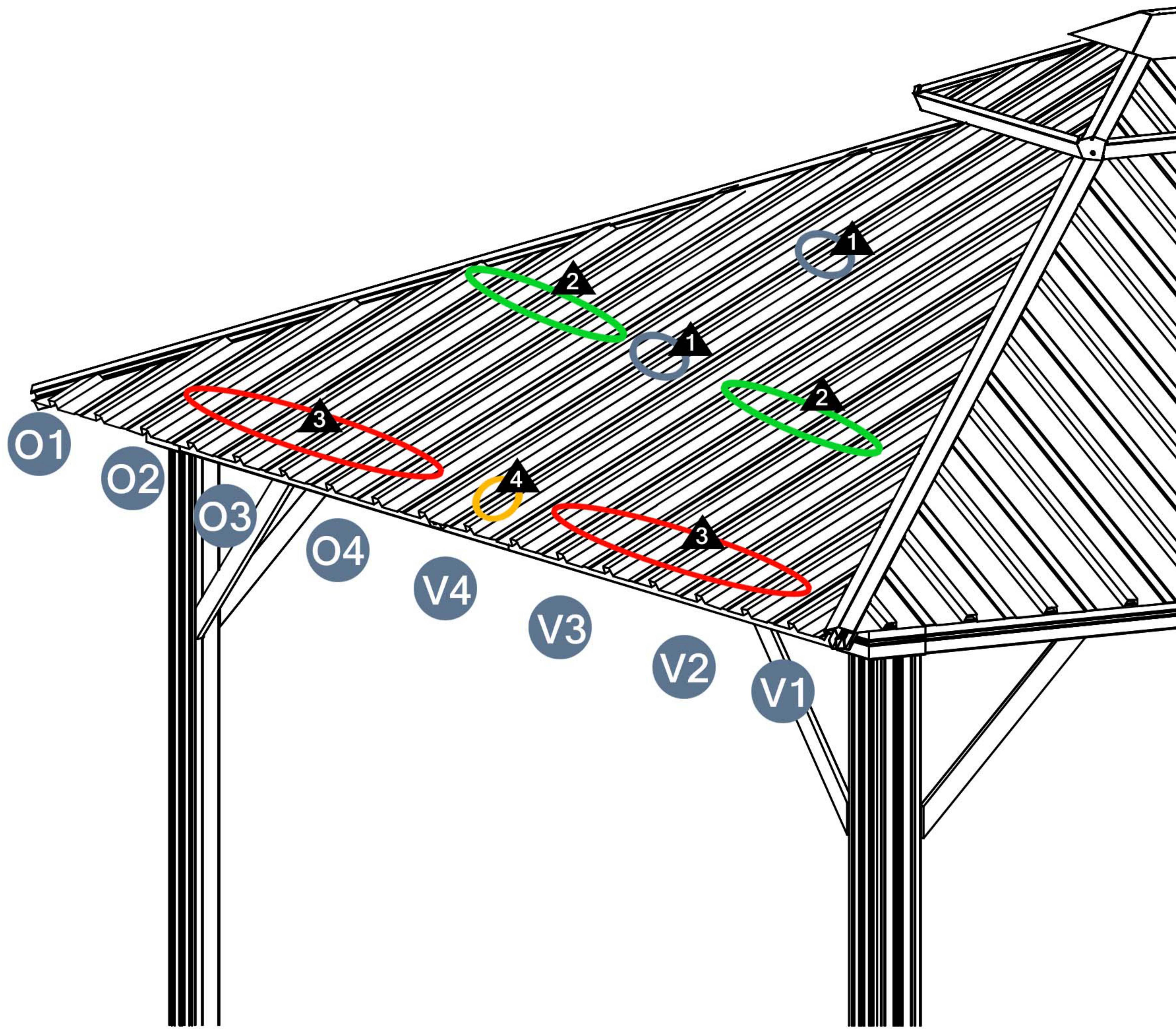
Parts required



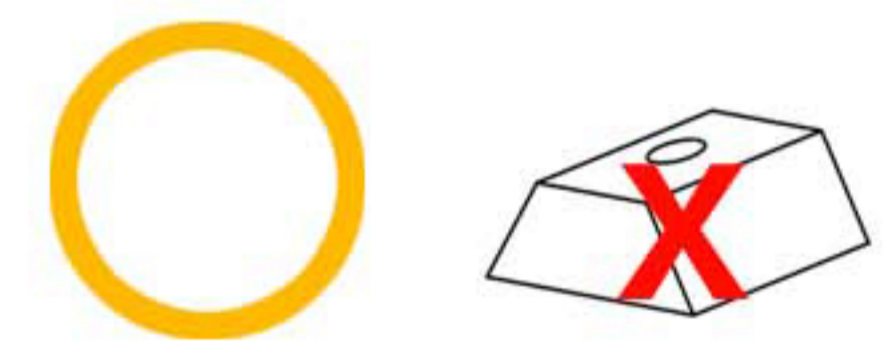
! Please refer to the image P2-1 for installation. Pay attention to the type of screw and the installation direction.



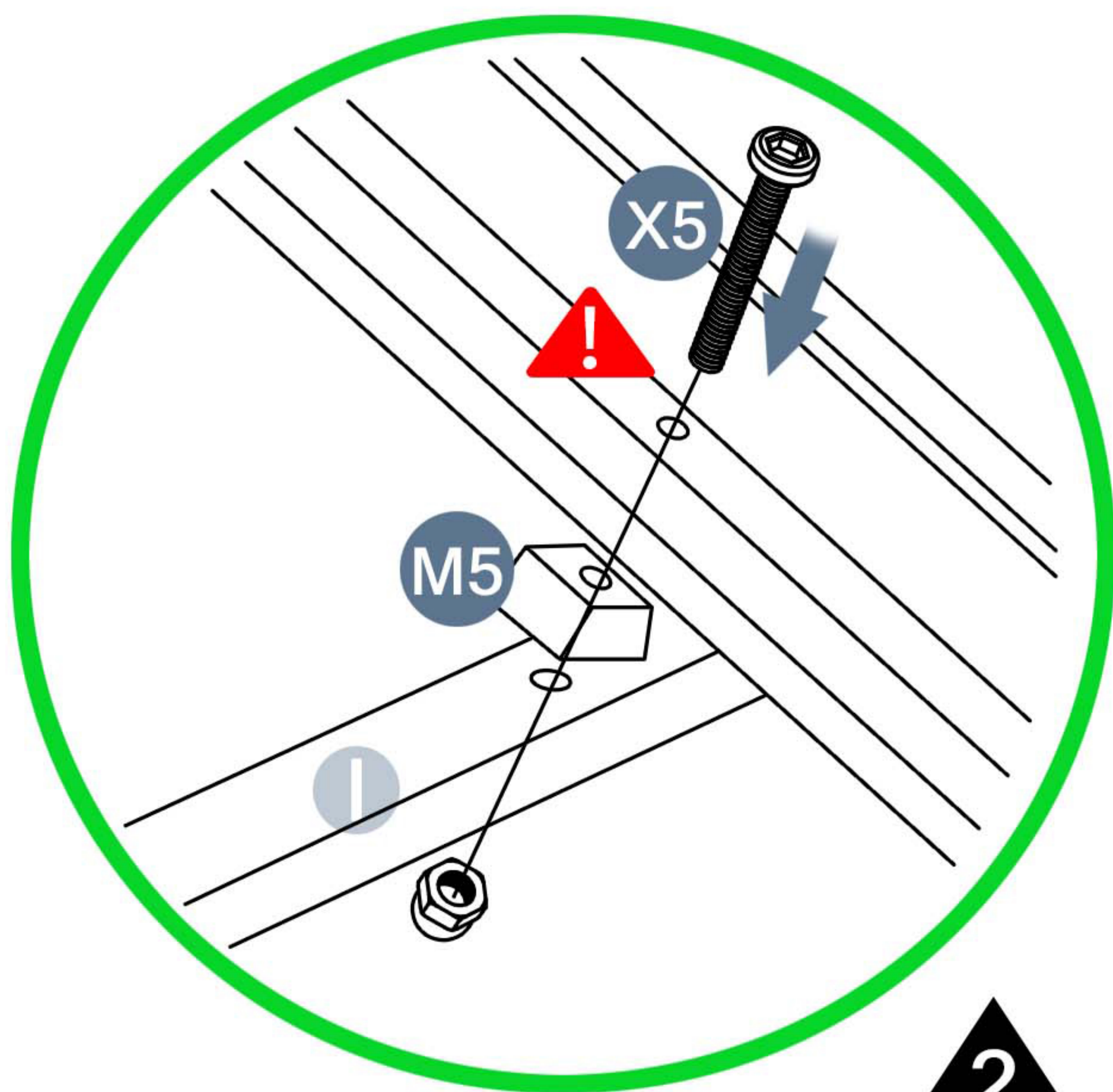
• P2-2



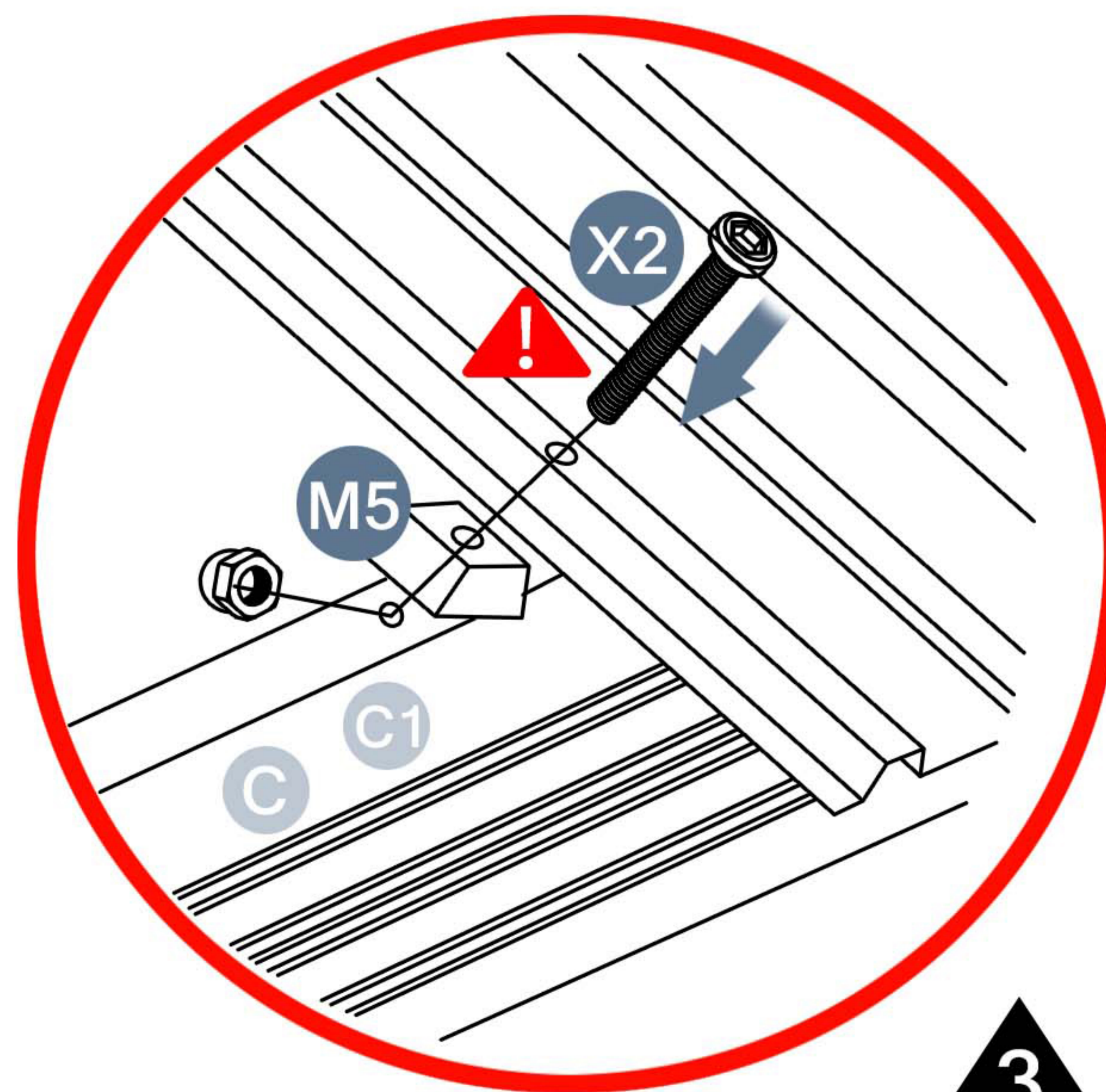
1



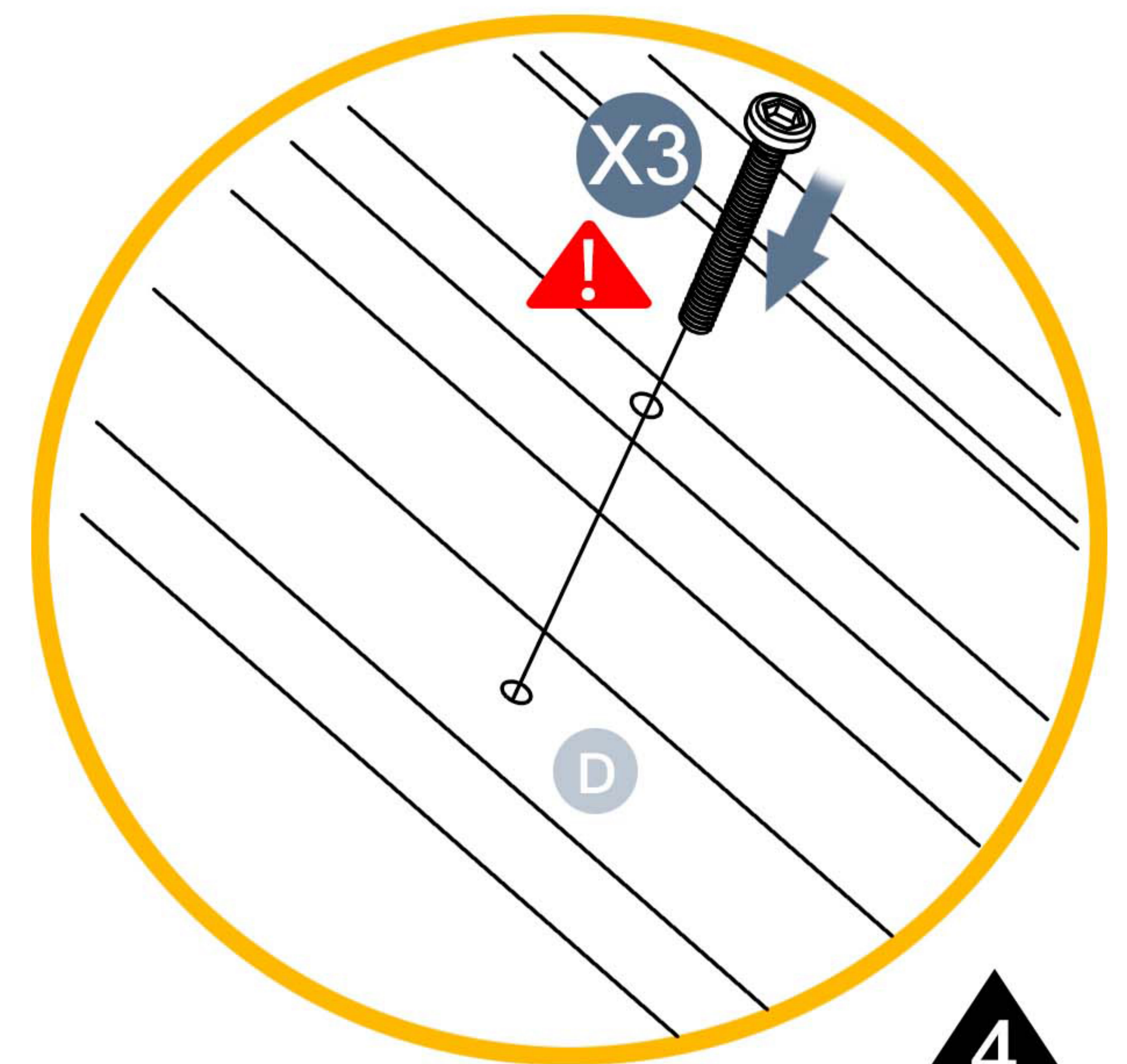
M5 is not needed in the yellow circle.



2

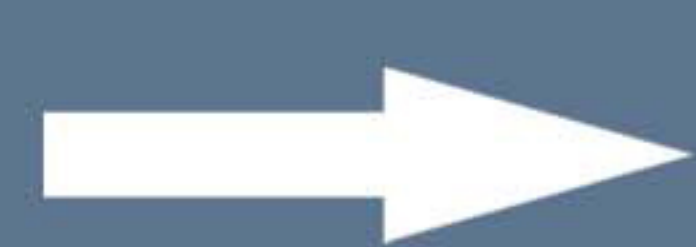


3



4

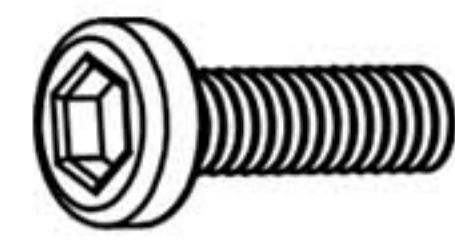
Please take care of the screws and contact the after-sales service if there is any problem with the installation or parts.



E-mail: cs.helper01@gmail.com

STEP 18

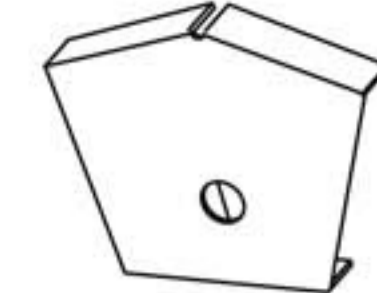
Parts required



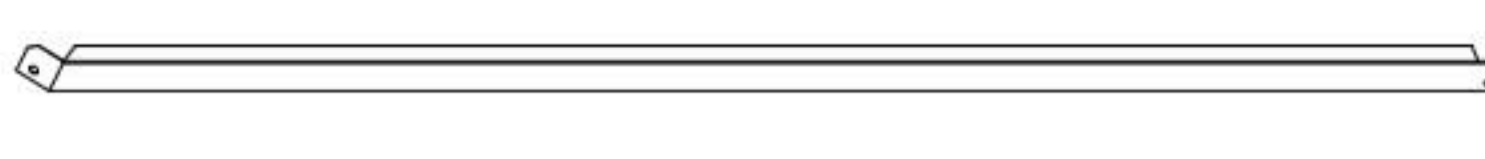
X1 8pcs



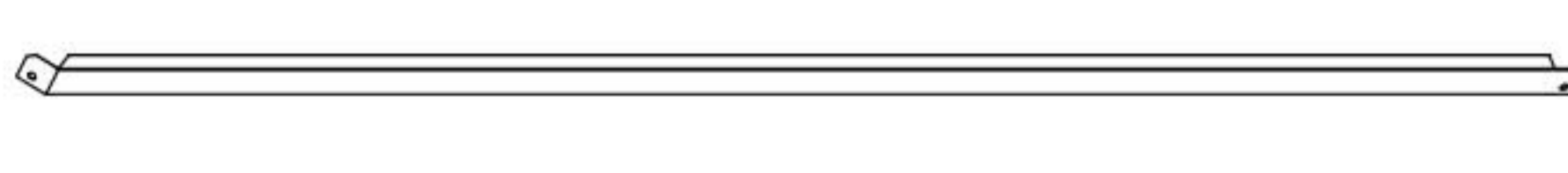
M1 4pcs



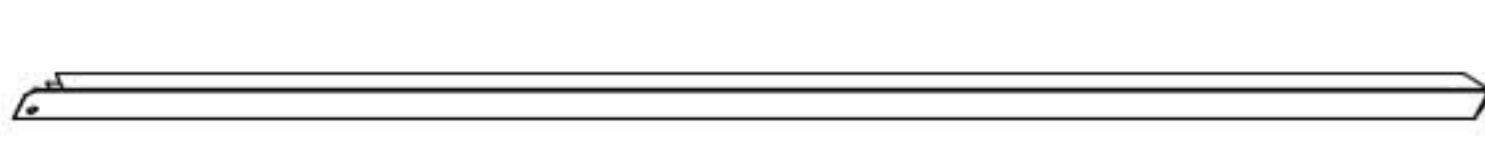
M2 4pcs



G1 2pcs



G3 2pcs



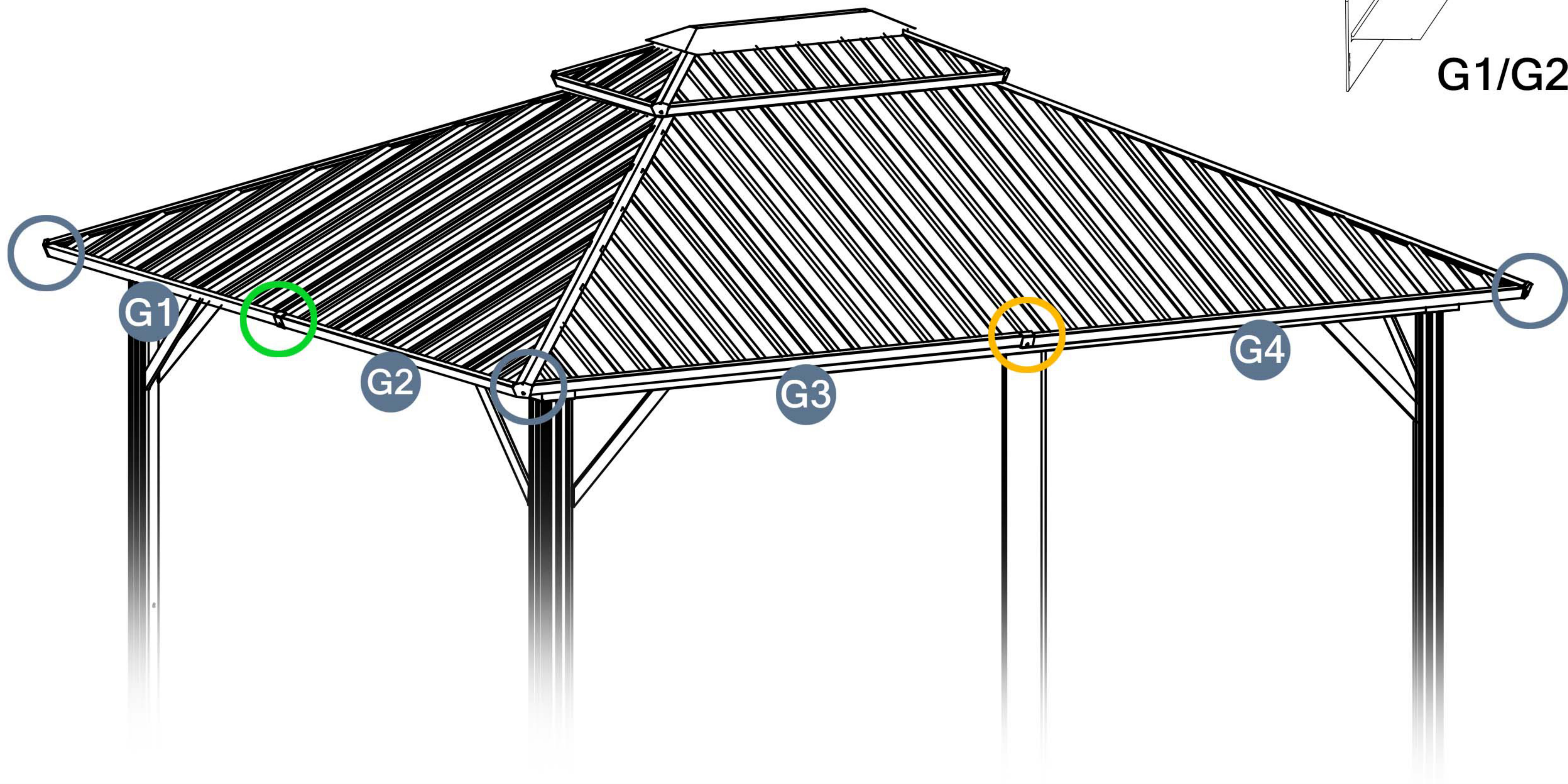
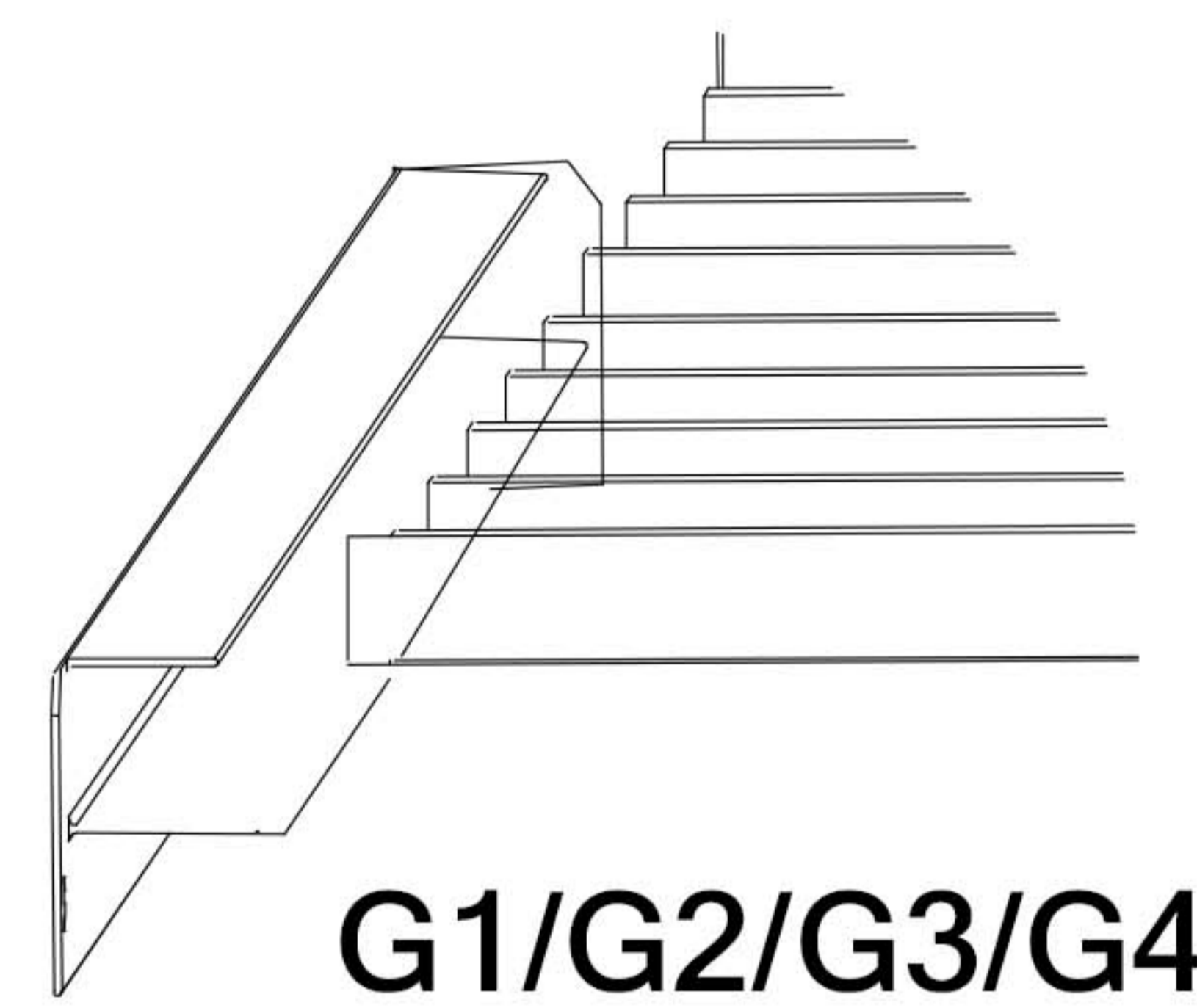
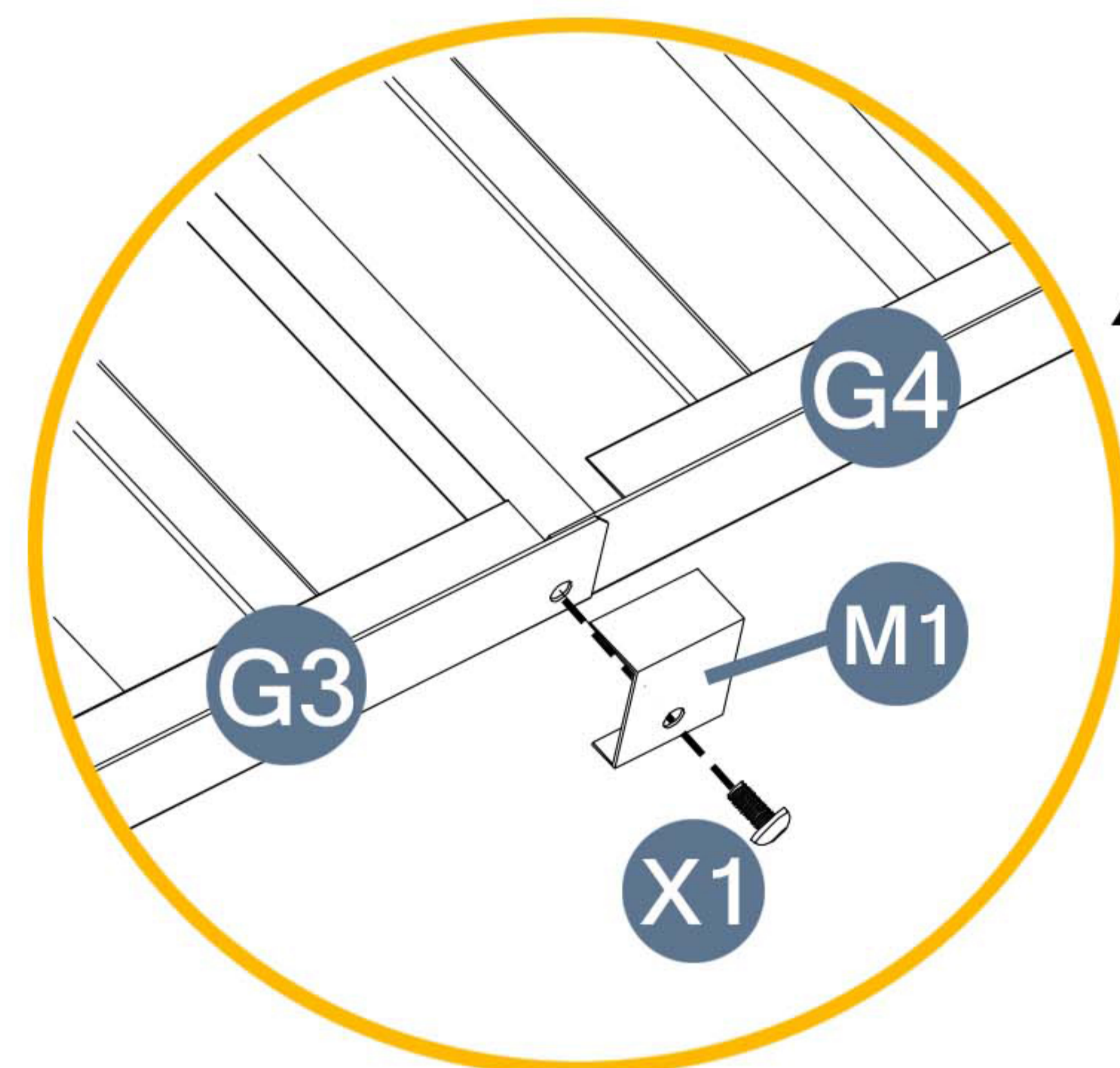
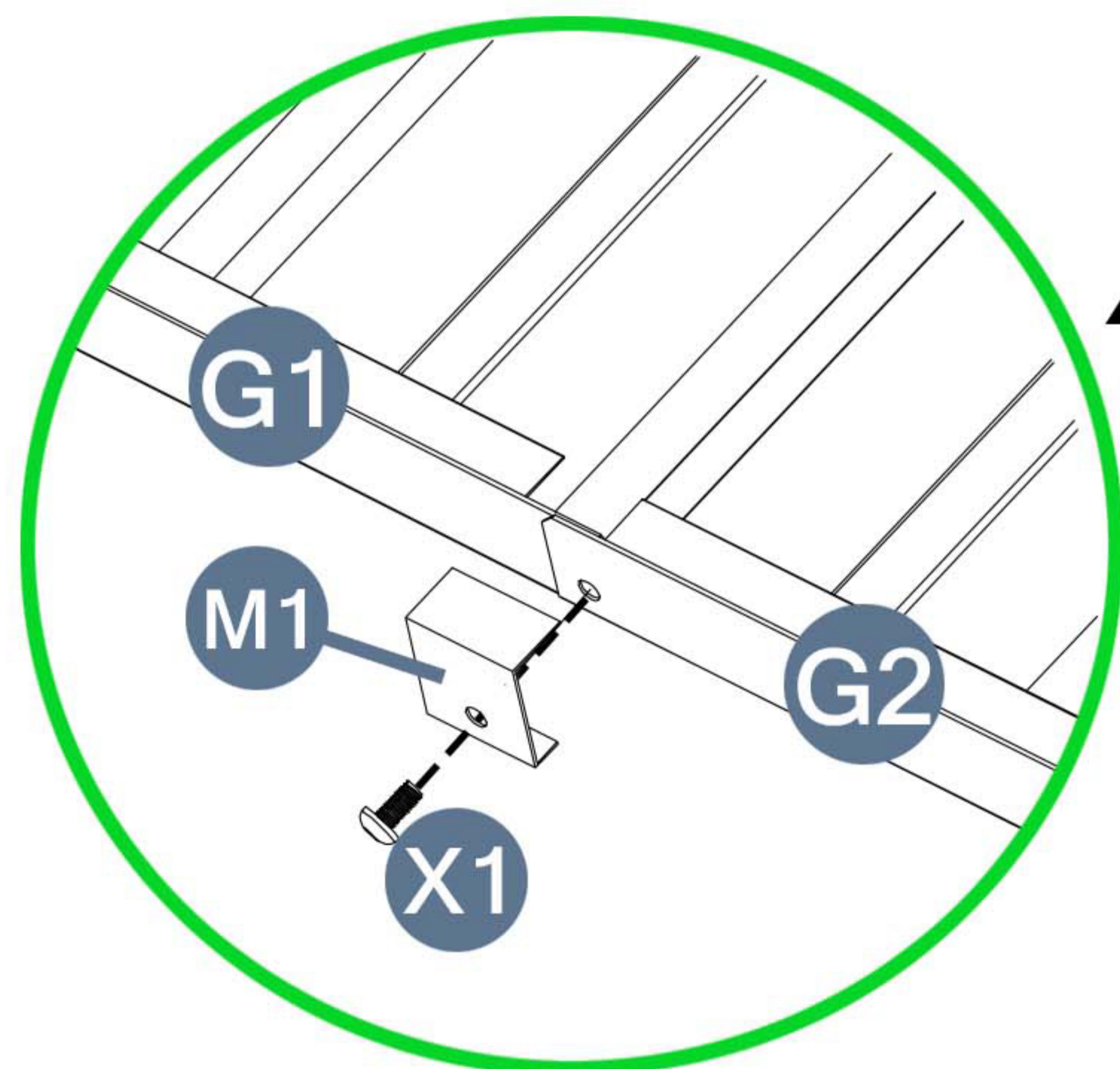
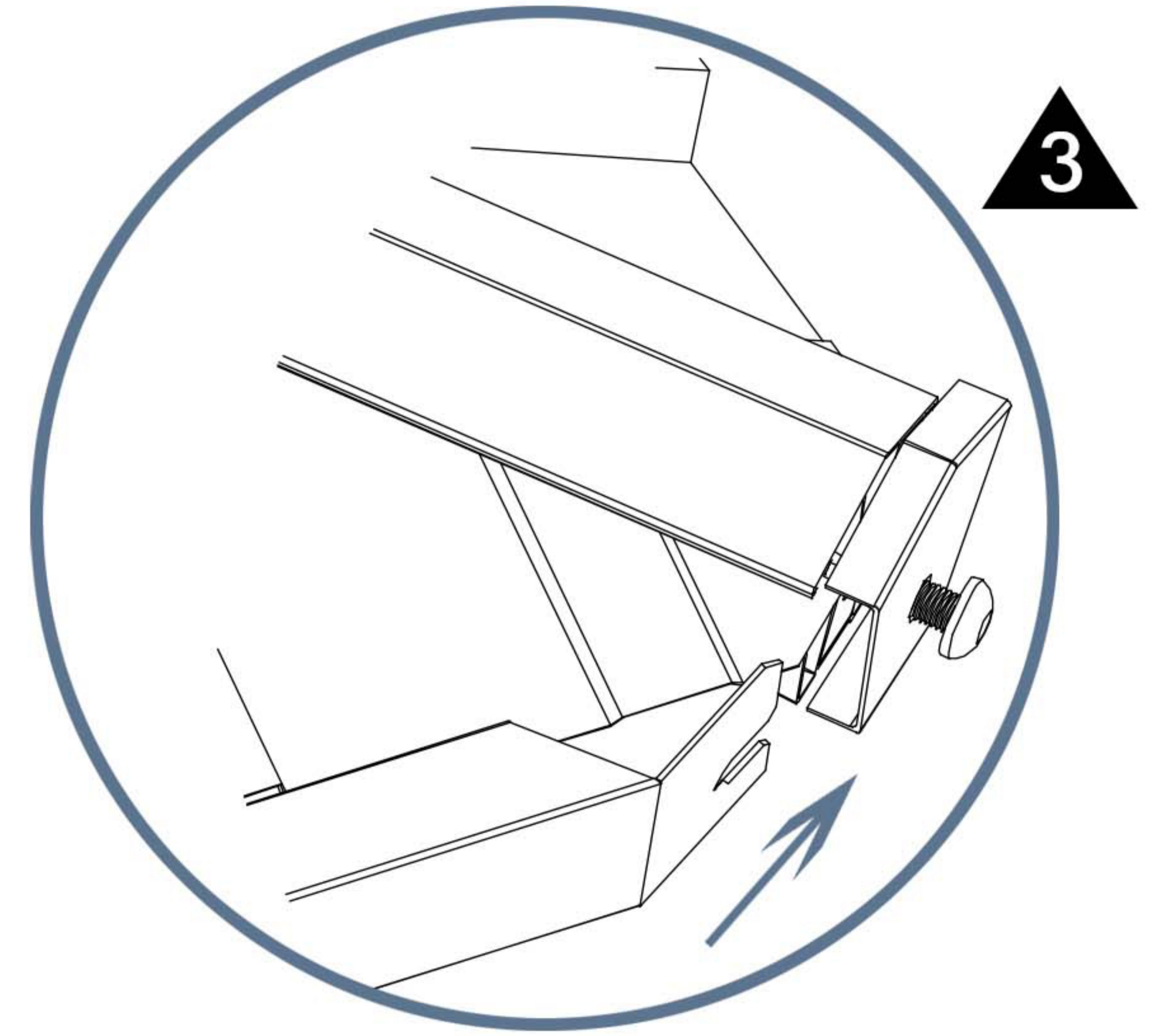
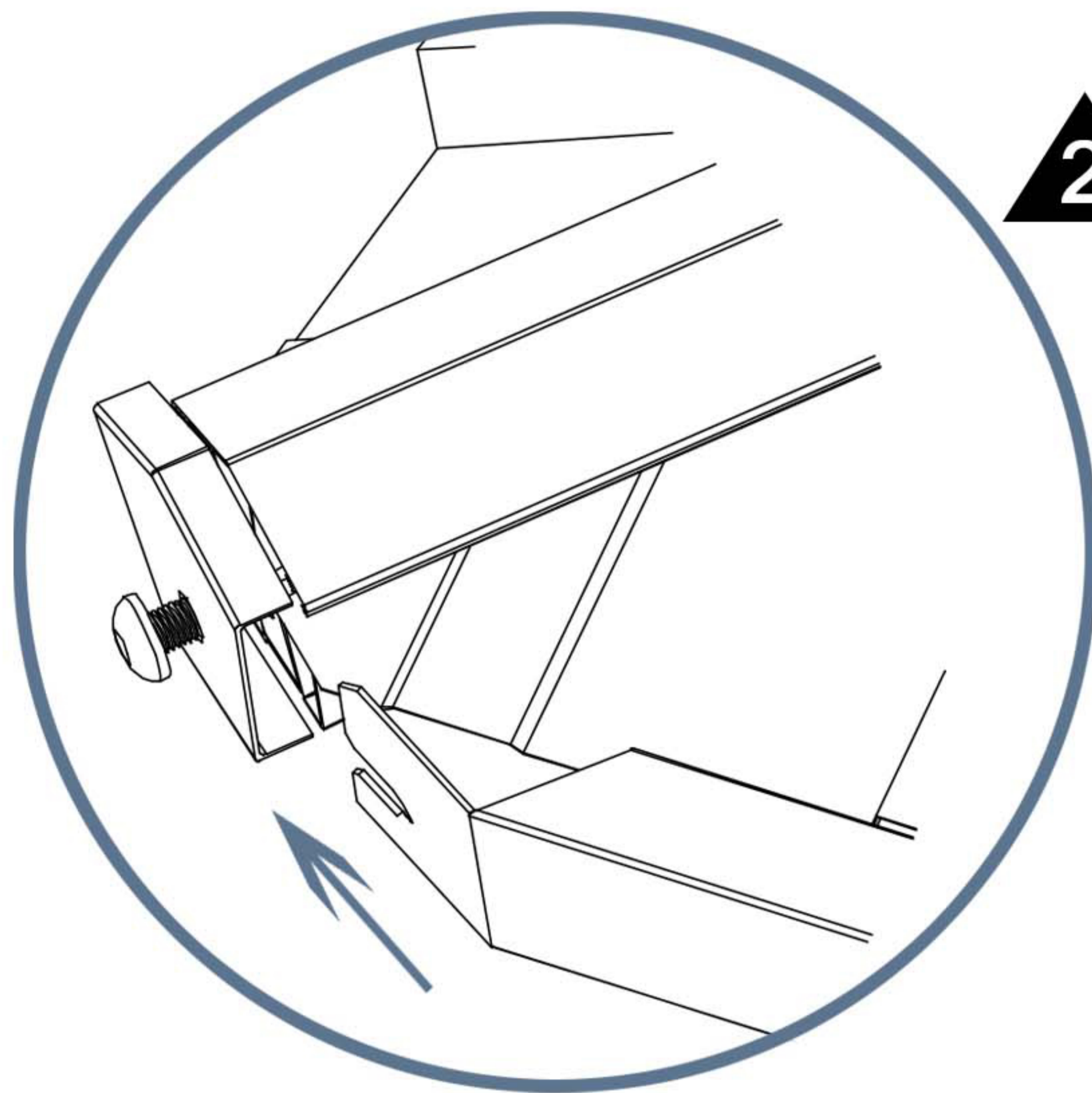
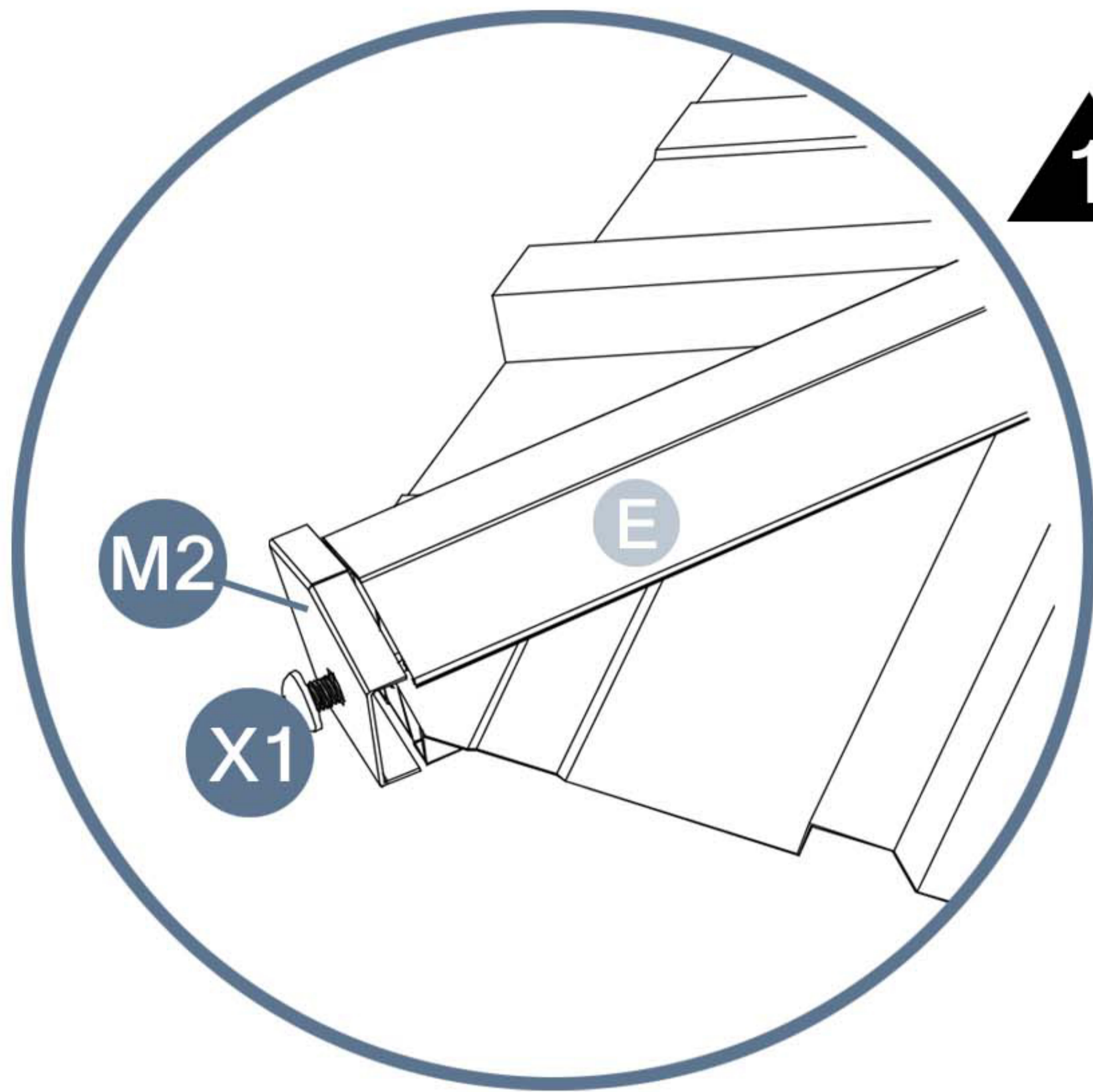
G2 2pcs



G4 2pcs



To better align the screws for practical situations, do not fully tighten screws initially.



Please take care of the screws and contact the after-sales service if there is any problem with the installation or parts.

➔ E-mail: cs.helper01@gmail.com

STEP 19

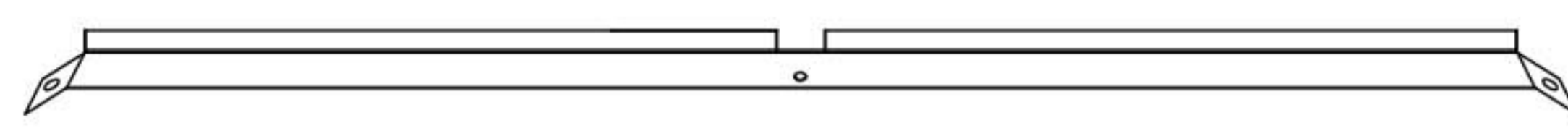
Parts required



G8 2pcs



X1 4pcs



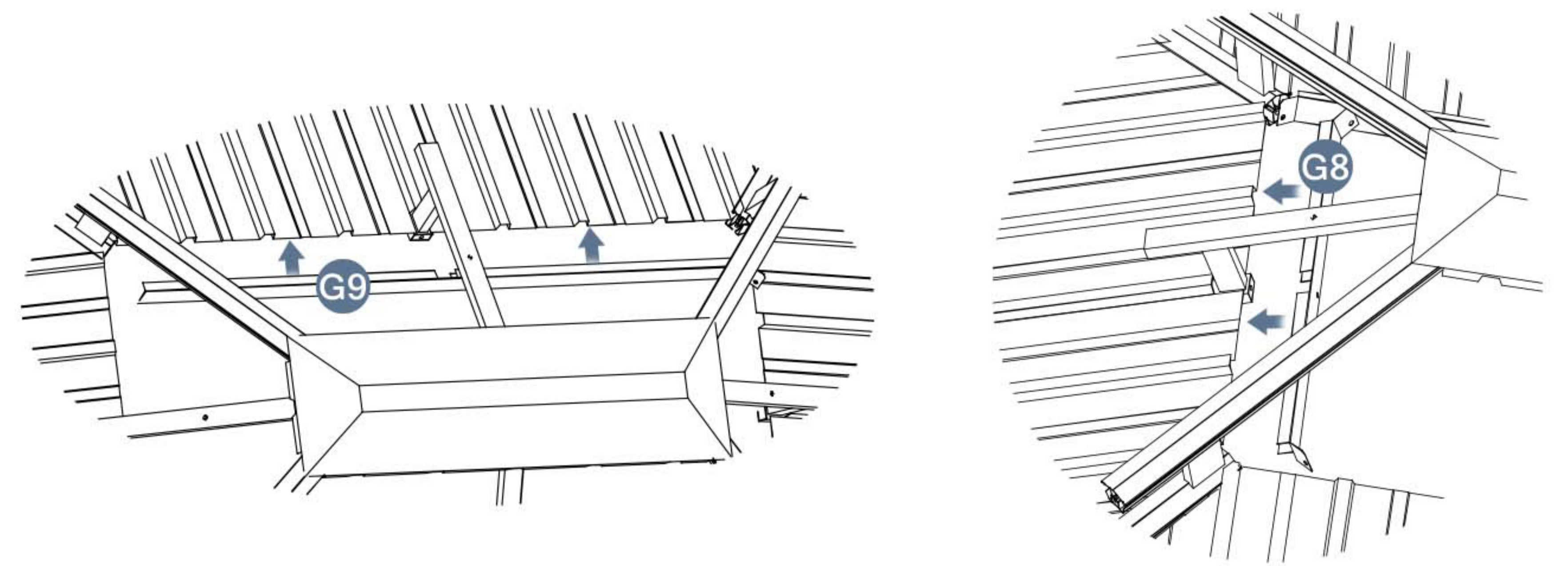
G9 2pcs



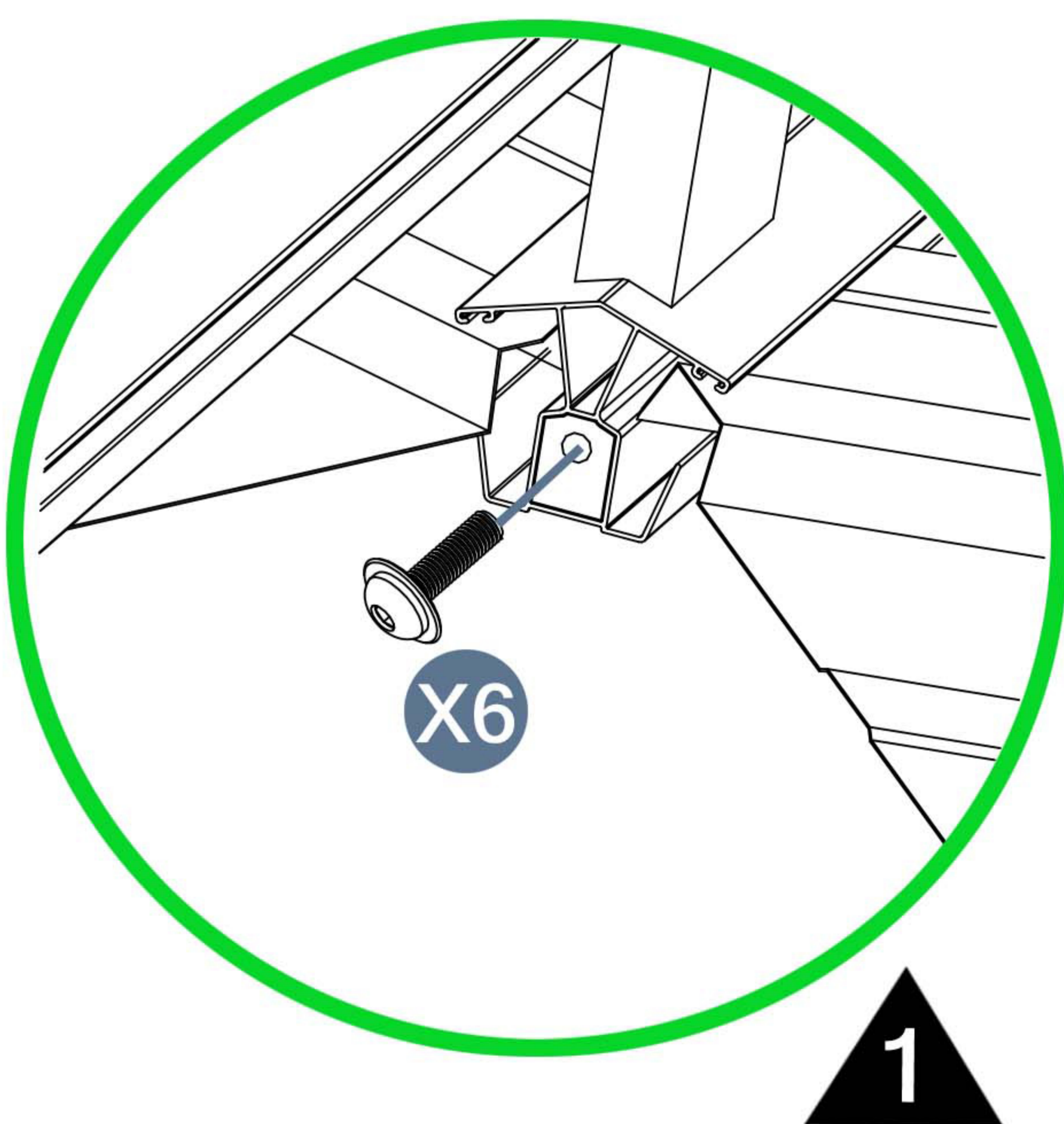
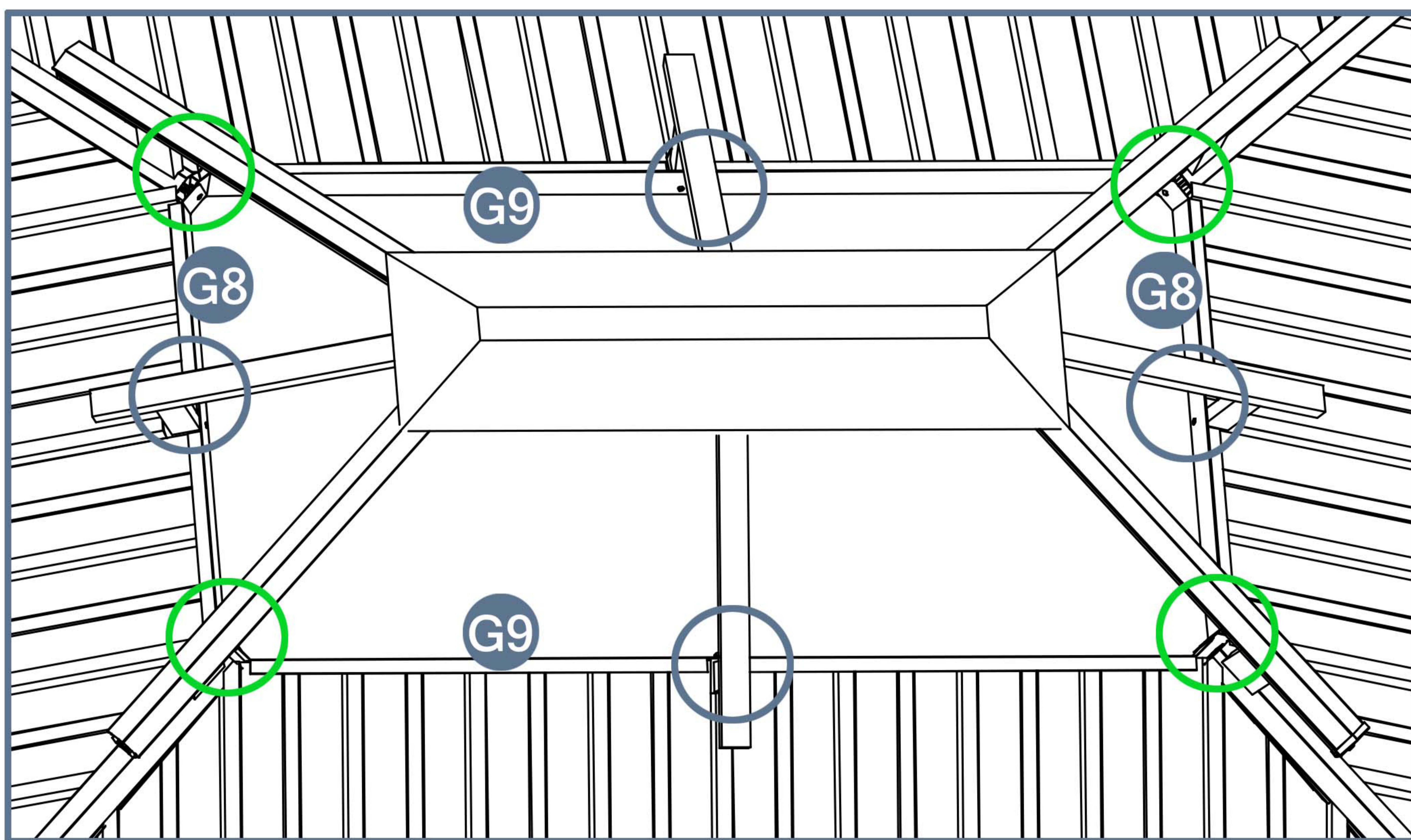
X6 4pcs



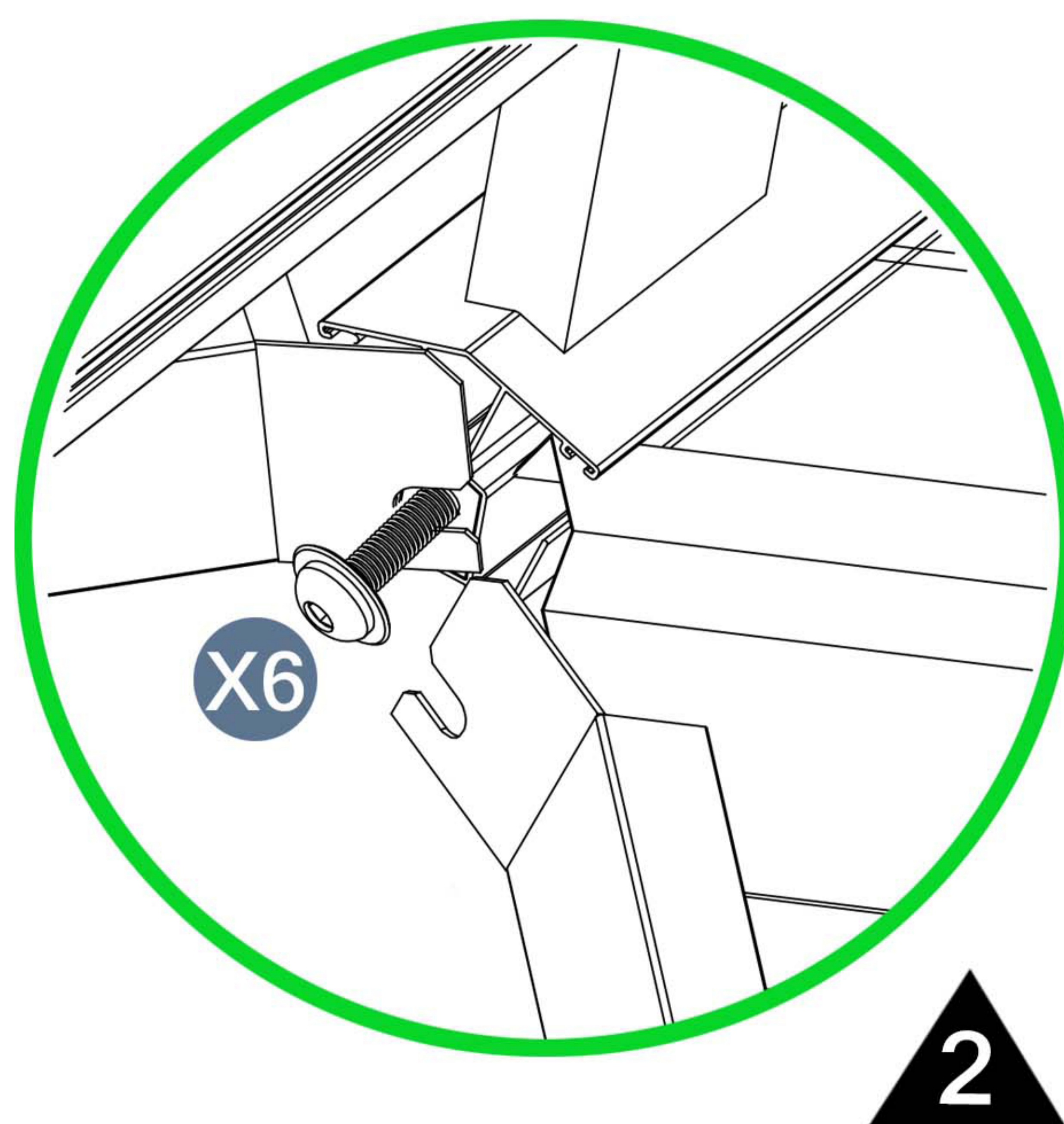
Please refer to the image P3-1 for installation.
It can be installed from the inside.



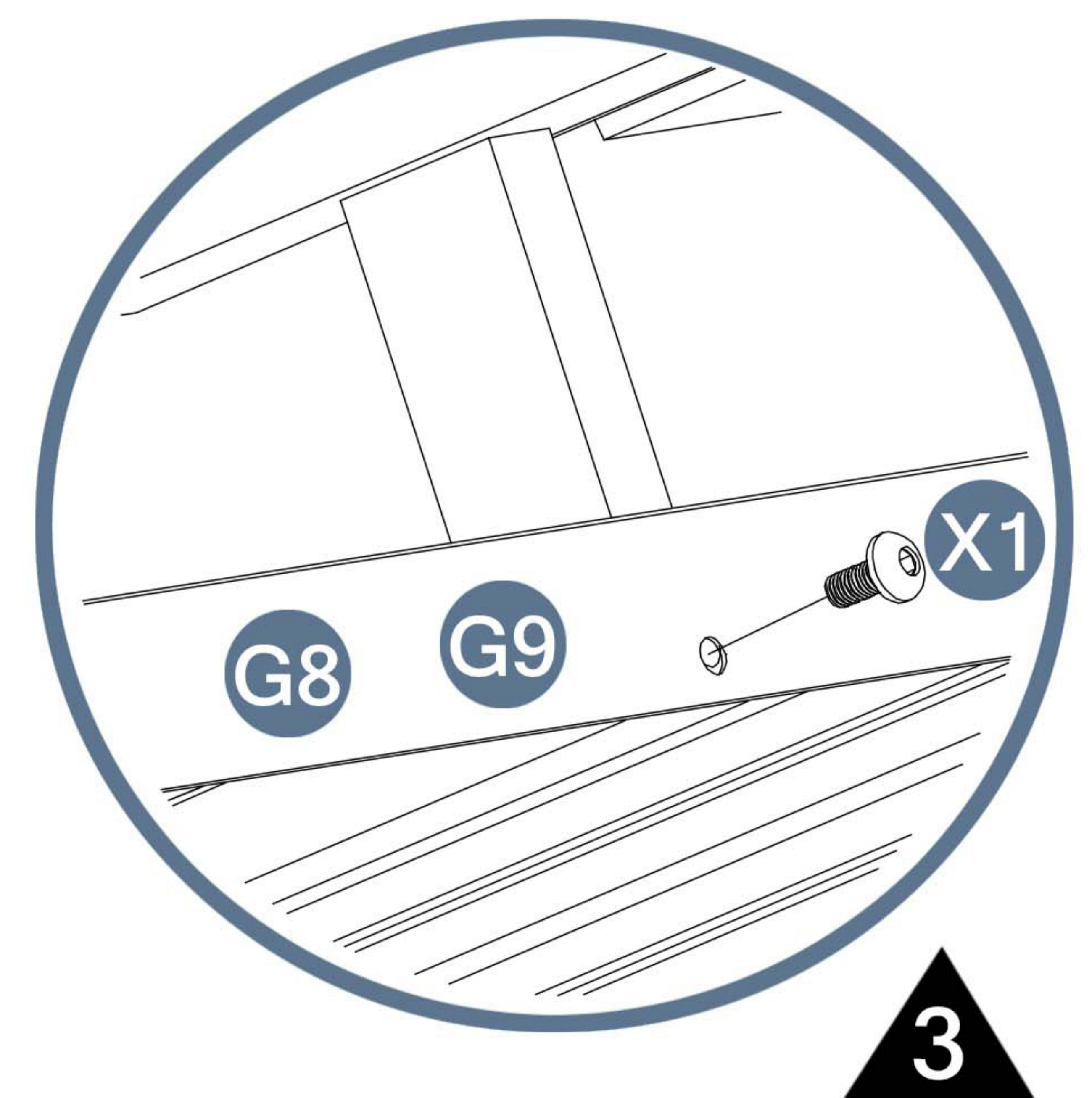
• P3-1



1



2



3

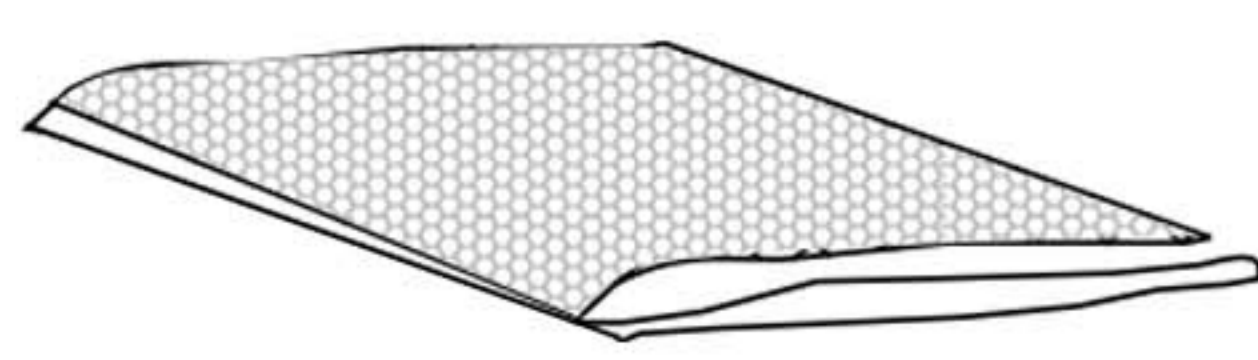
Please take care of the screws and contact the after-sales service if there is any problem with the installation or parts.



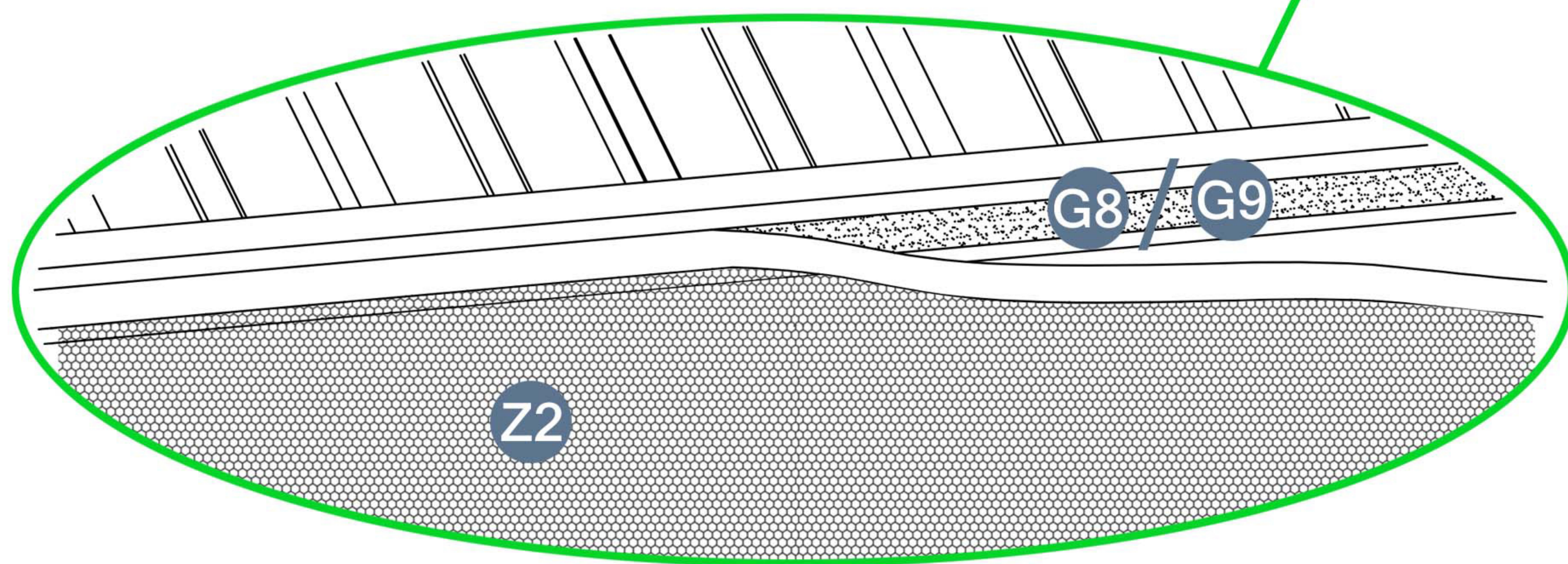
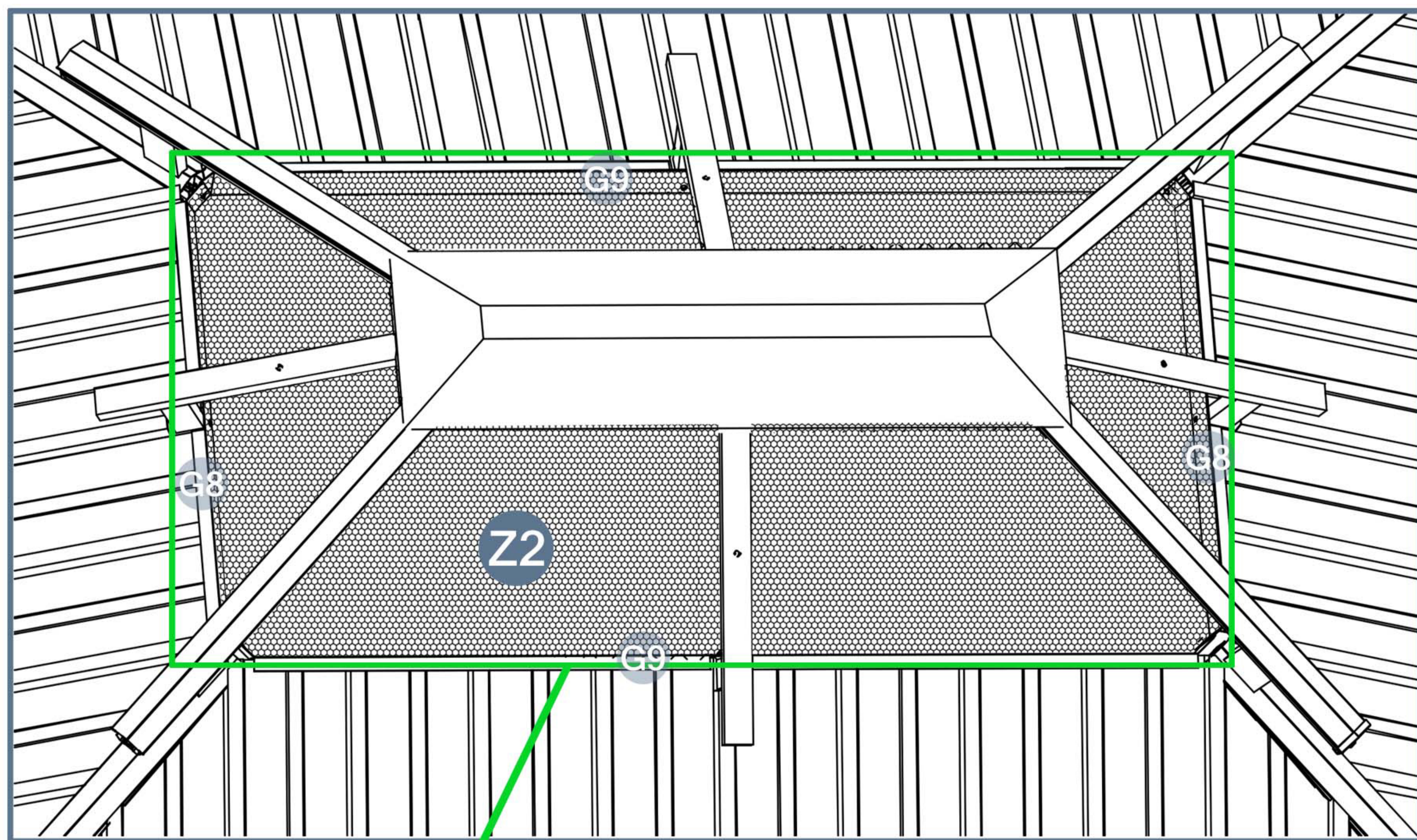
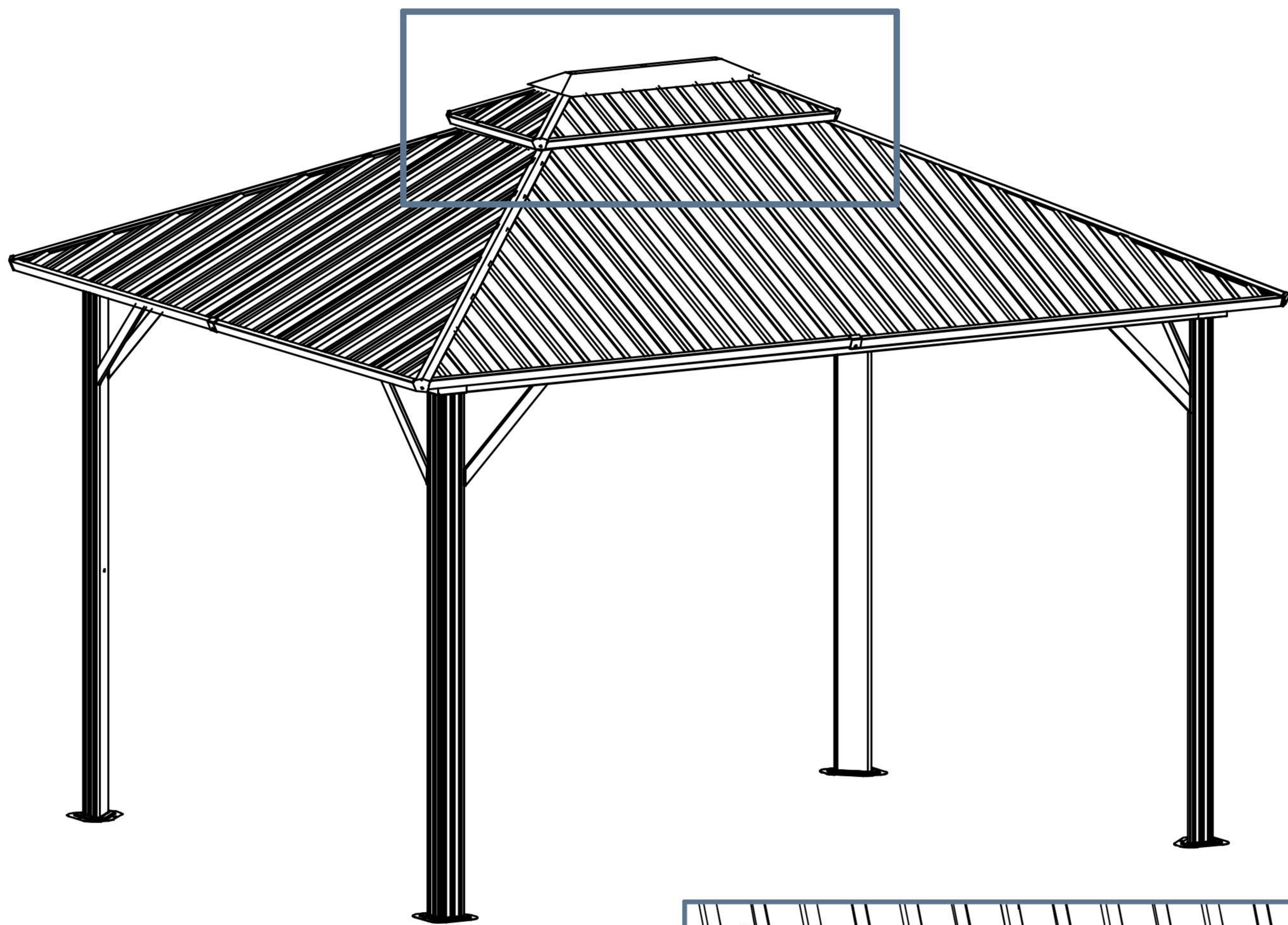
E-mail: cs.helper01@gmail.com

STEP 20

Parts required



Z2 1pcs

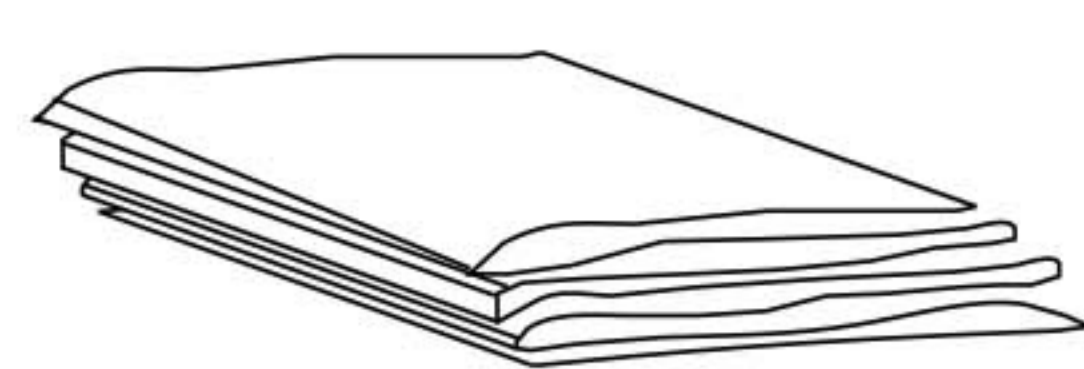


Please take care of the screws and contact the after-sales service if there is any problem with the installation or parts.

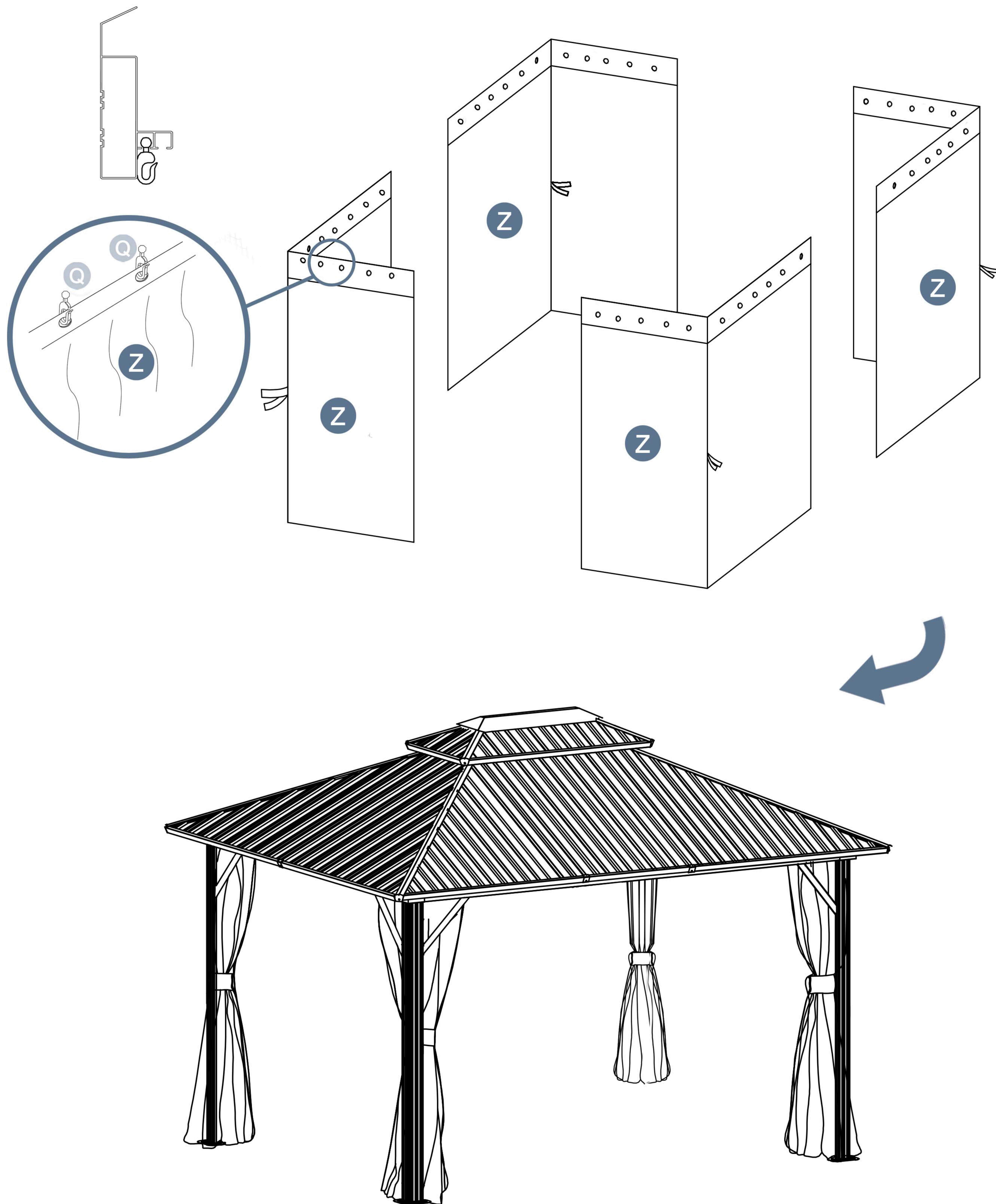
➔ ✉ E-mail: cs.helper01@gmail.com

STEP 21

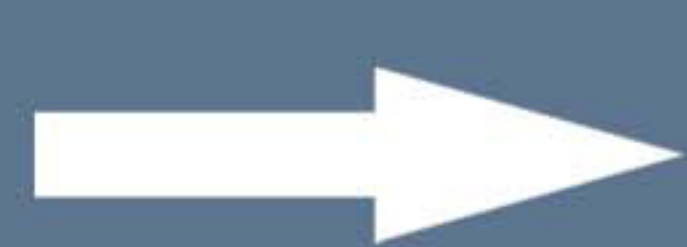
Parts required



Z 1pcs

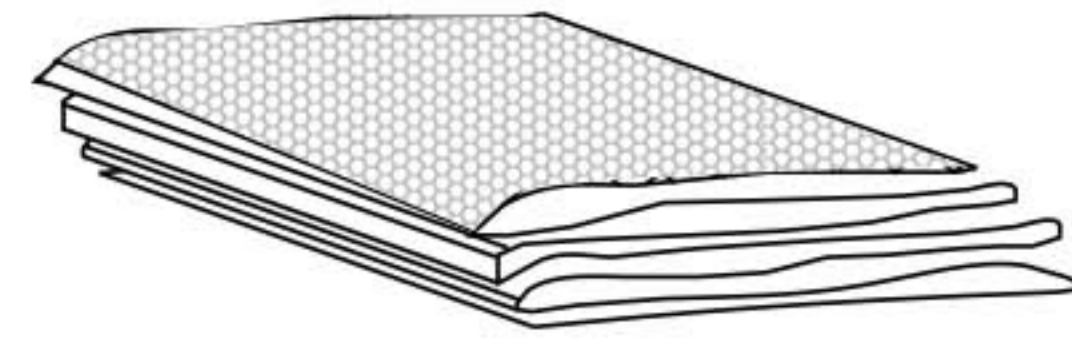


Please take care of the screws and contact the after-sales service if there is any problem with the installation or parts.

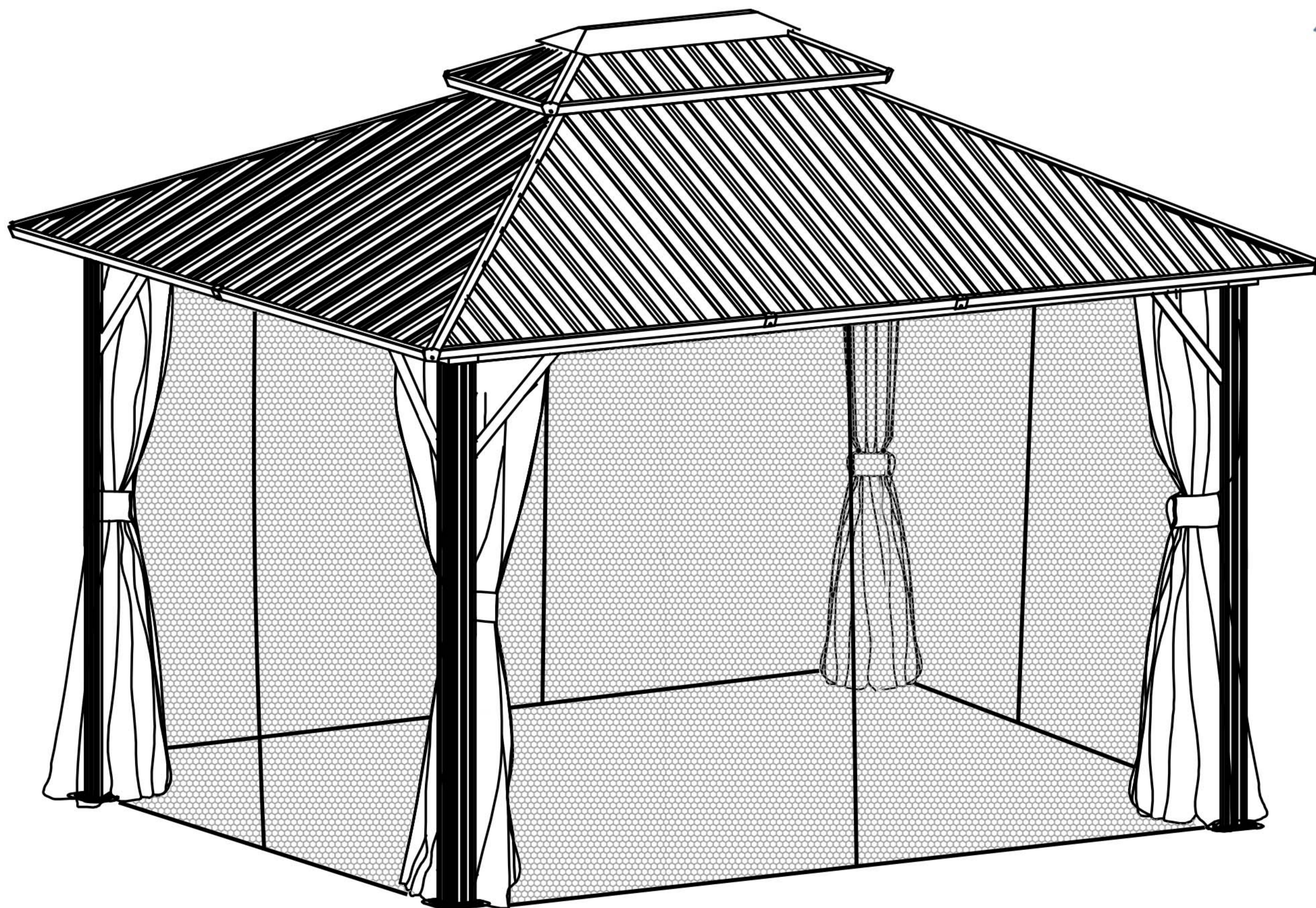
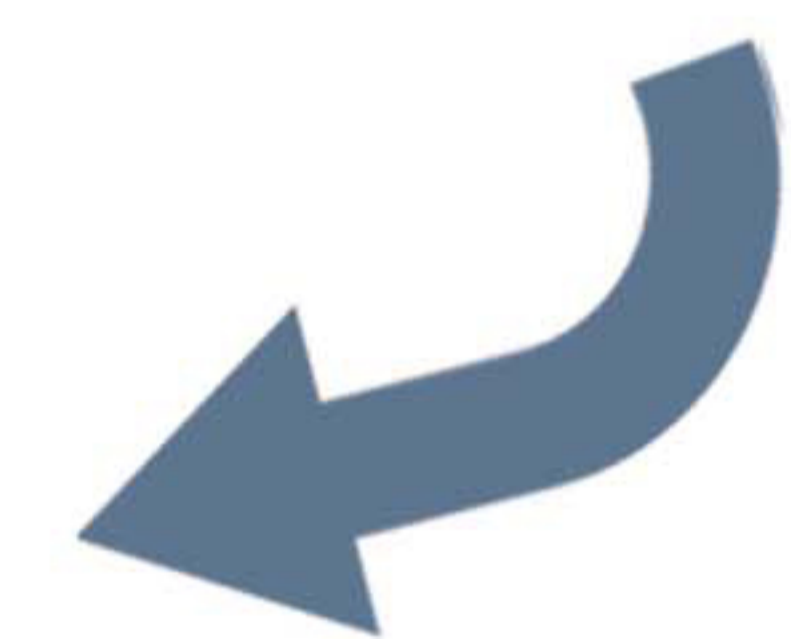
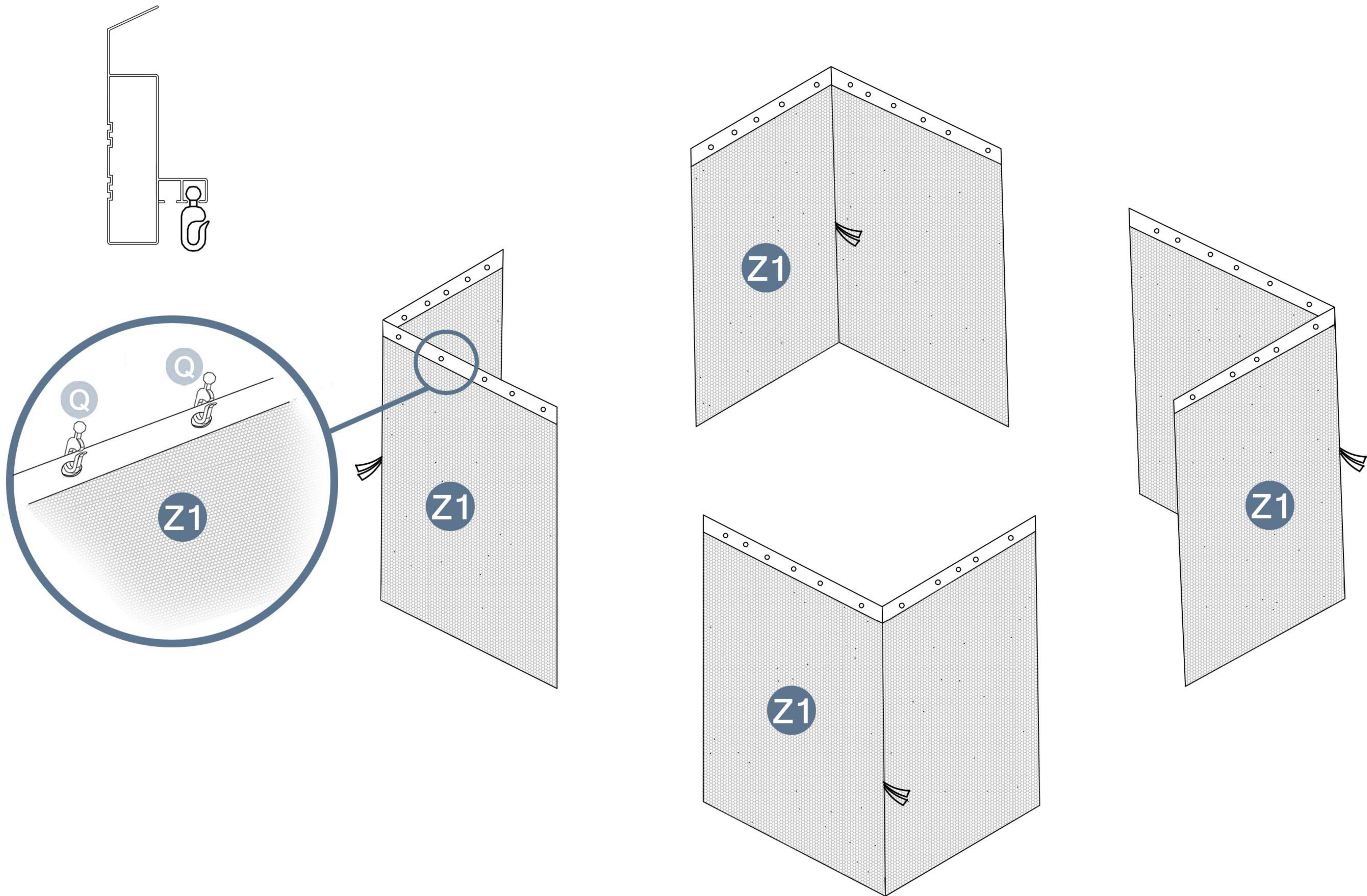


STEP 22

Parts required



Z1 1pcs

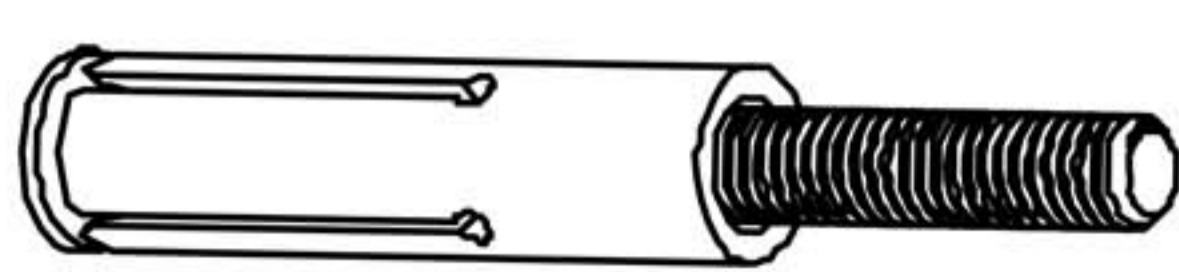


Please take care of the screws and contact the after-sales service if there is any problem with the installation or parts.

➔ ✉ E-mail: cs.helper01@gmail.com

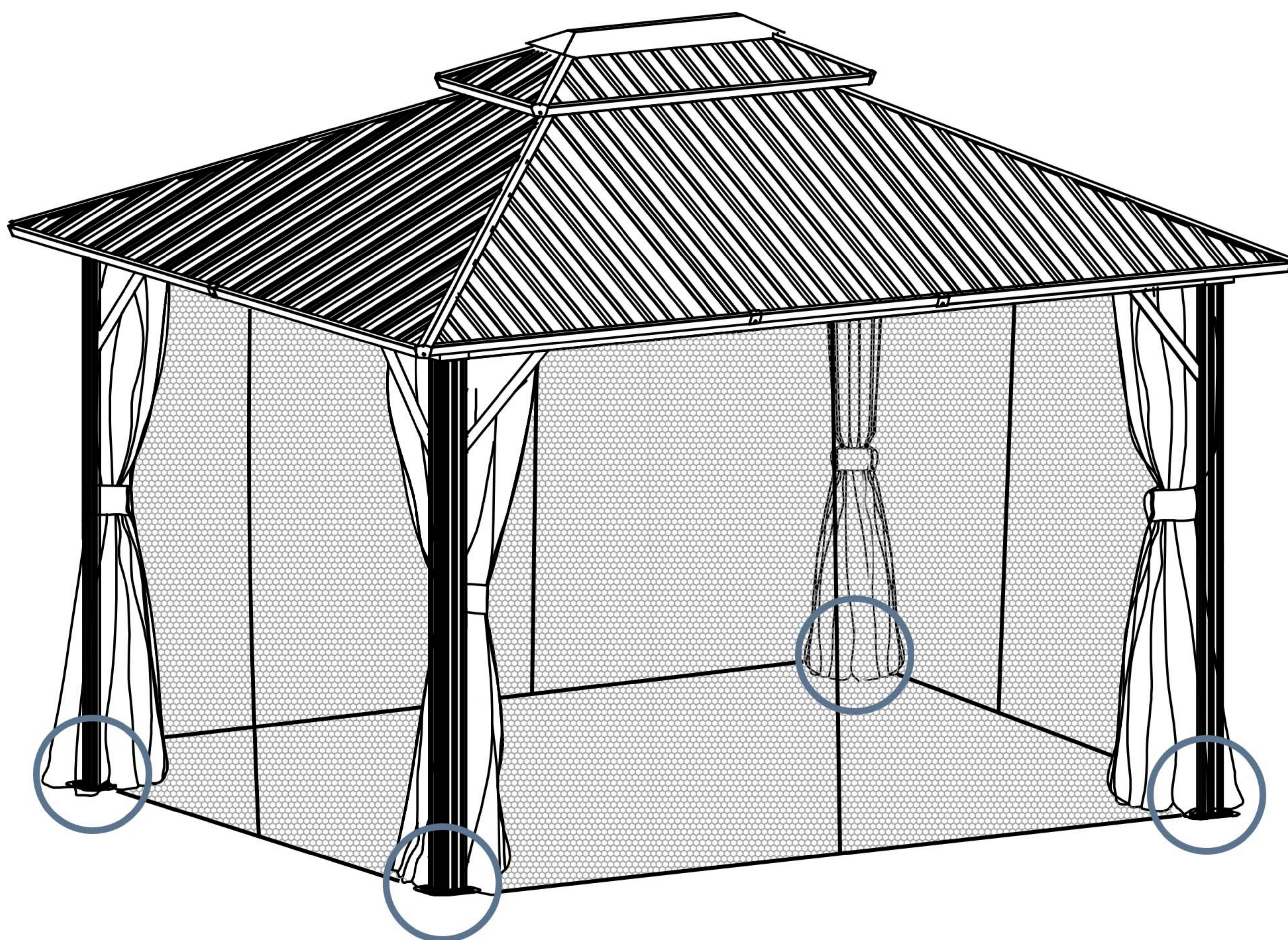
STEP 23

Parts required



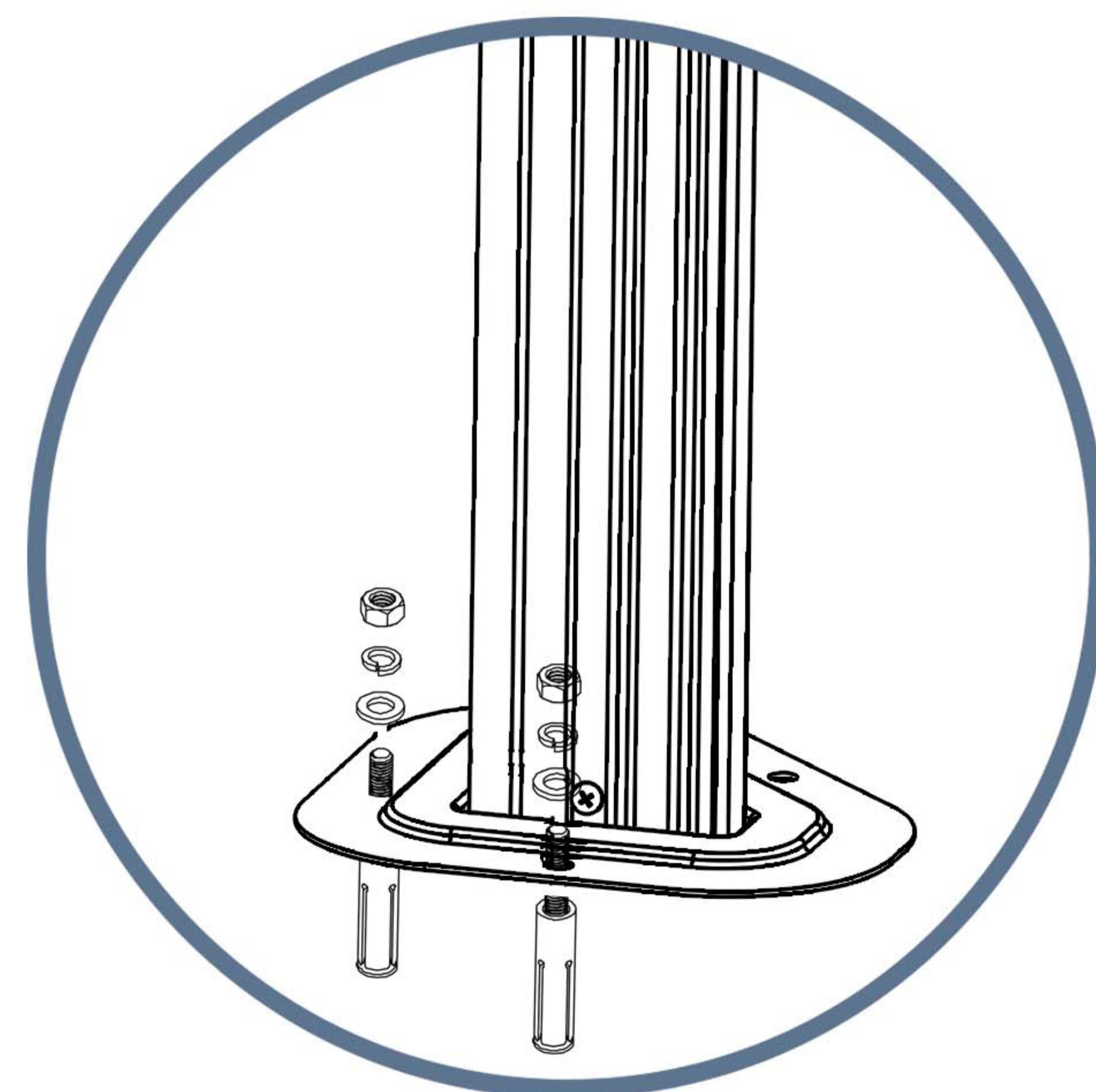
② 8pcs

To improve stability of gazebo, ground nails are very necessary. ground nails use for grassy surfaces. ground nails are included in the package.

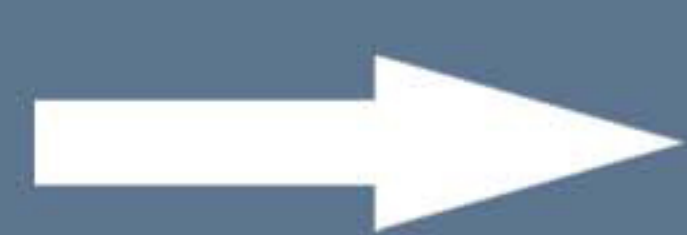


!!! For safety's sake, please check and make sure that all screws are tightened after all installation is complete.

Installation Completed



Please take care of the screws and contact the after-sales service if there is any problem with the installation or parts.



E-mail: cs.helper01@gmail.com

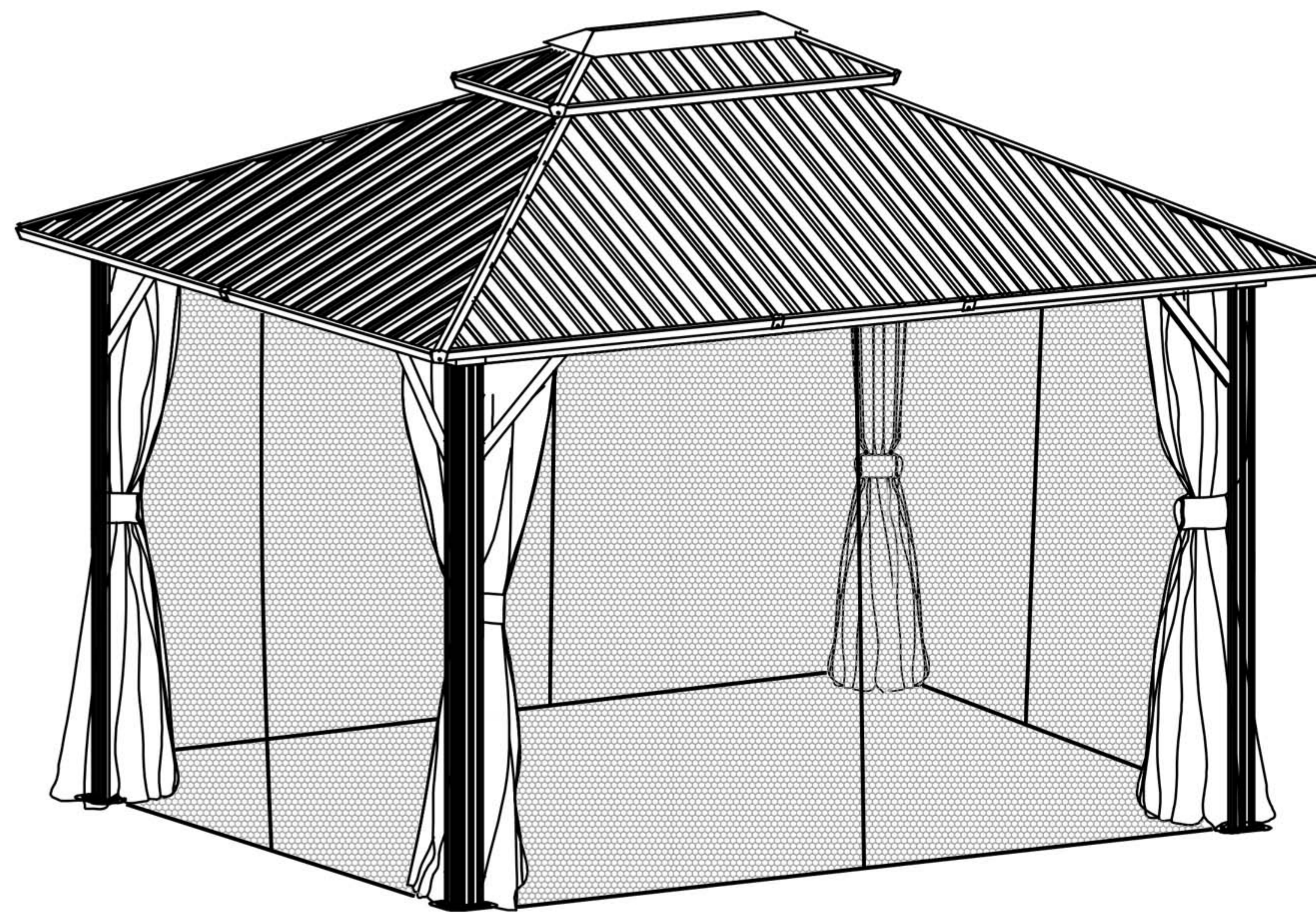
Hope you enjoy this product.

If you have any concerns about gazebo Installation, please feel free to contact us. We will reply within 24 hours.



E-mail: cs.helper01@gmail.com

12X14FT



SKU:A001G039-1
A001G039-2
A001G039-3
A001G039-4