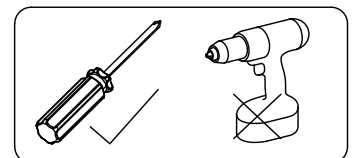
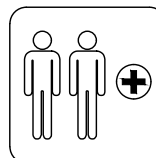
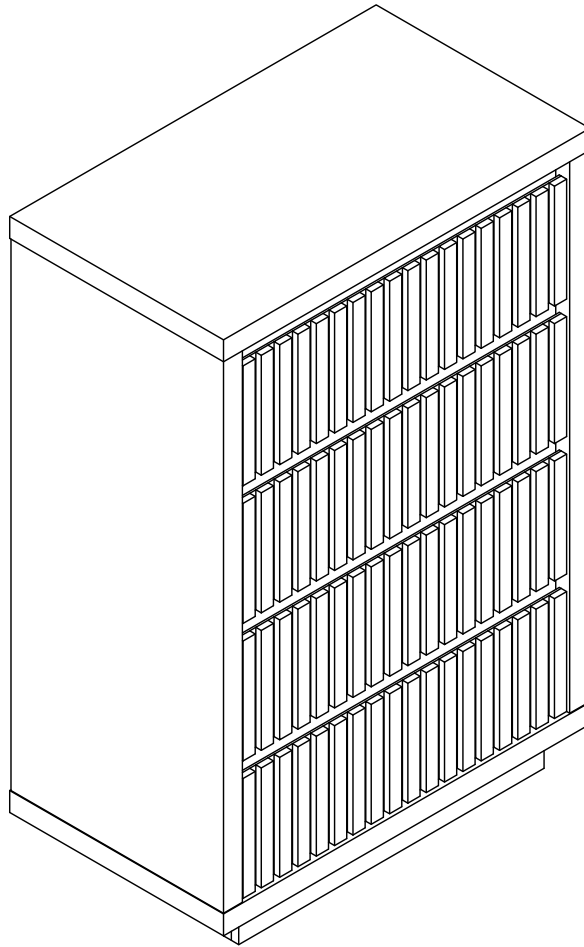
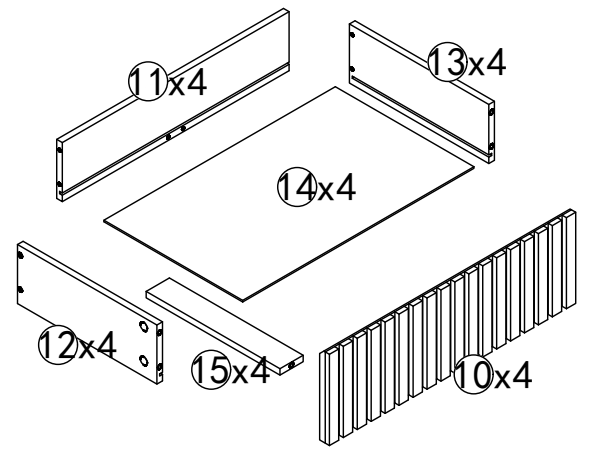
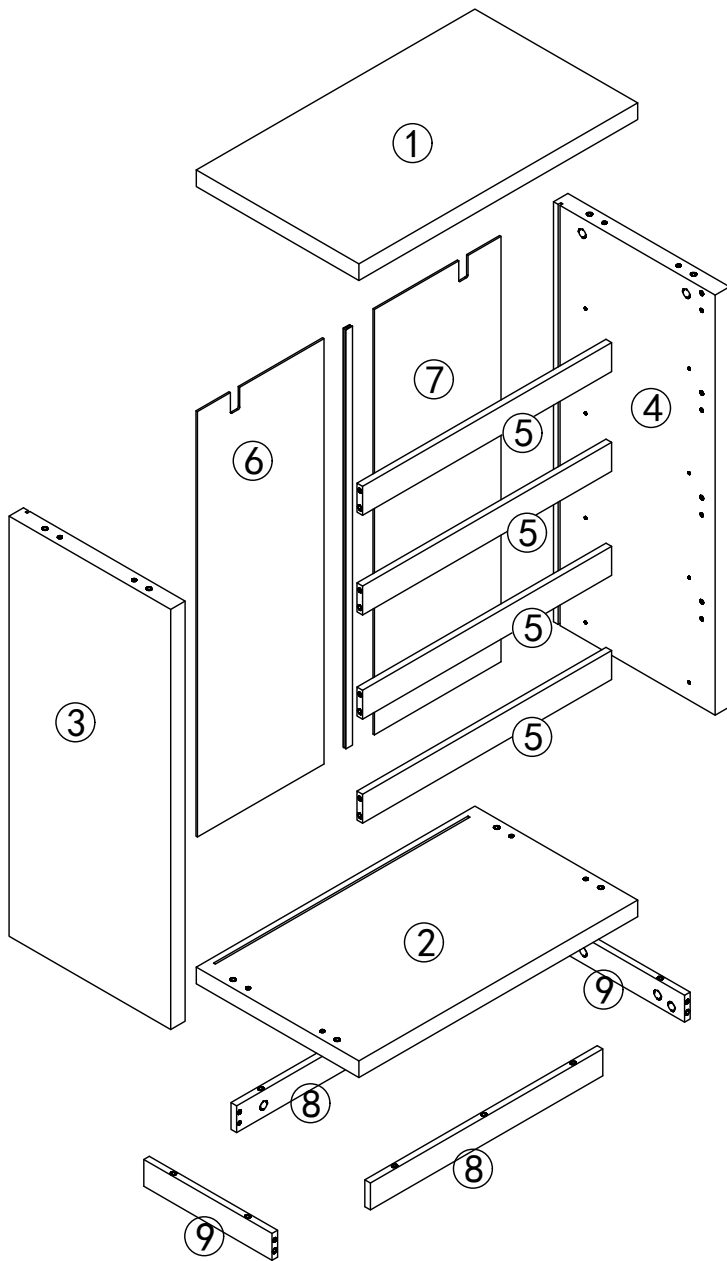


Installation & Assembly





WE'RE HERE IF YOU NEED IT CONTACT US

If you encounter any difficulties during assembly, or notice damaged packaging, missing components, or damaged parts, please do not rush to return the product. Instead, refer to the parts list to find the required part numbers, and feel free to contact our seller support team on the e-commerce platform where you made the purchase for professional assistance.

WE CARE ABOUT YOUR SAFETY PLEASE READ

IMPORTANT SAFETY NOTICE READ CAREFULLY BEFORE BEGINNING ASSEMBLY

This unit contains small parts that present a choking hazard for children under 3 years of age. These parts are for adult assembly only and should be permanently affixed to the furniture. Any unused parts should be discarded properly. To make the assembly process easier, ask a friend to help you.

2 people required

Always use proper tools.

Carefully review the parts and hardware list.

Follow assembly steps in order. DO NOT SKIP ANY STEPS.

Periodically check to ensure that all connectors (bolts, screws, etc.) are tight.

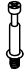

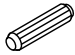

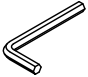
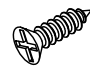
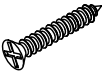




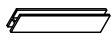
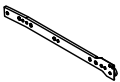
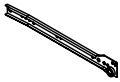
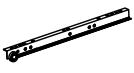

Keep the instructions for future reference.

It is recommended that you assemble the unit on a protected surface or carpeted floor to avoid scratches.

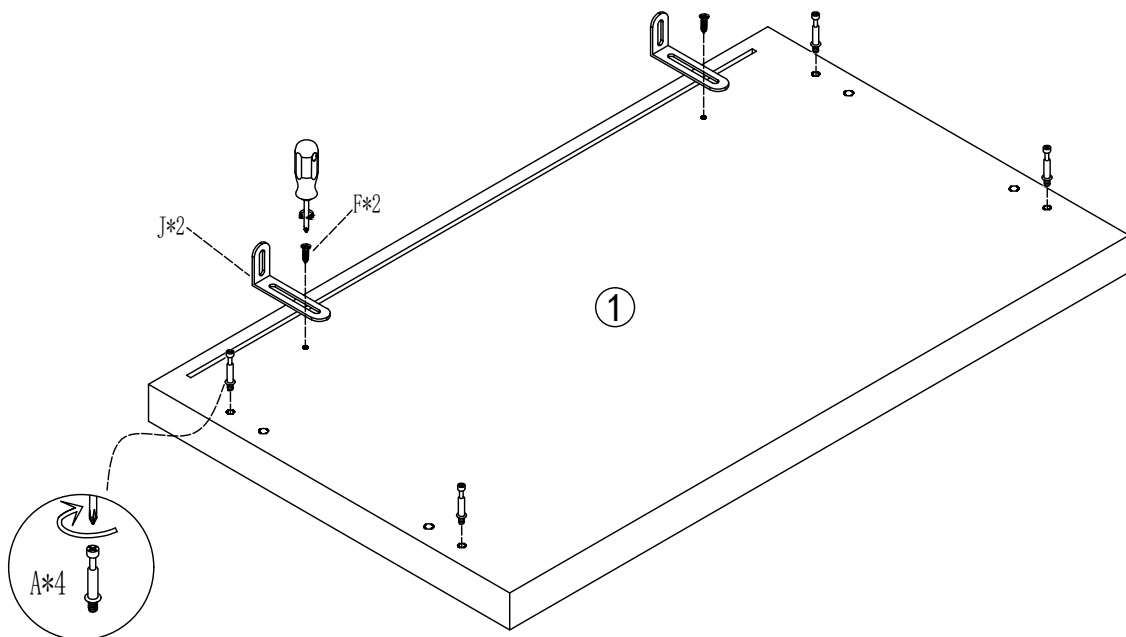
Our Company disclaims any liability for damages or injuries


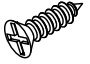

which may occur due to failure to properly follow assembly instructions, properly assemble the product, or properly use the product.

⚠ WARNING	
	<p>Children have died from furniture tipover. To reduce the risk of furniture tipover:</p> <ul style="list-style-type: none">• ALWAYS install tipover restraint provided.• NEVER put a TV on this product.• NEVER allow children to stand, climb or hang on drawers, doors, or shelves.• NEVER open more than one drawer at a time.• Place heaviest items in the lowest drawers. <p><i>This is a permanent label. Do not remove!</i></p>
	

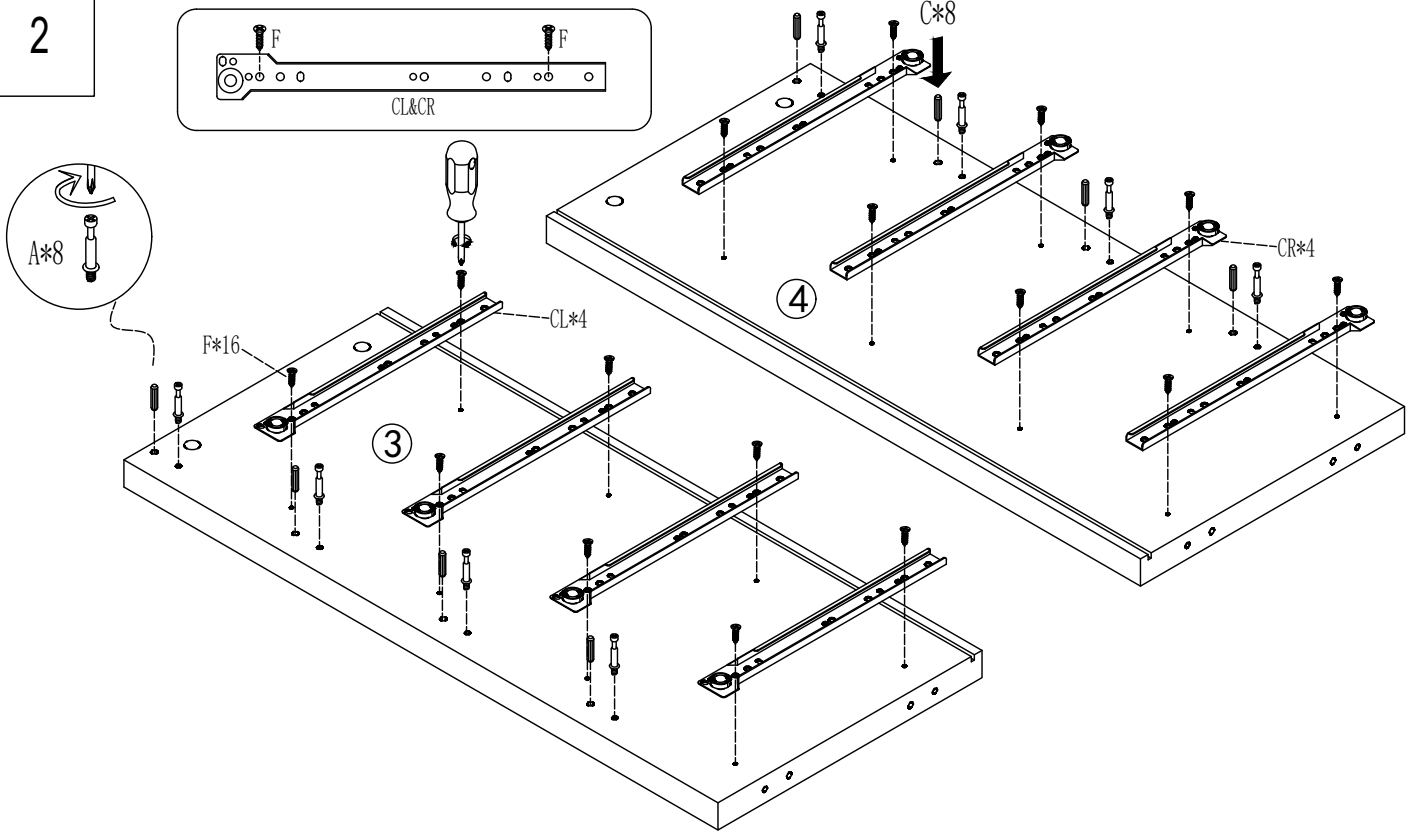
A	x46	B	x46	C	x20	D	x4	E	x1	F	x42	G	x26	H	x8	I	x2
																	
M6*35mm	Ø15*9.5mm	Ø6*30mm	M7*60mm	M4	M3.5*14mm	M4*35mm											
J	x2	K	x6	L	x1	CL	x4	CR	x4	DR	x4	DL	x4				
																	
	30*10*5mm		300mm	300mm	300mm	300mm											

1



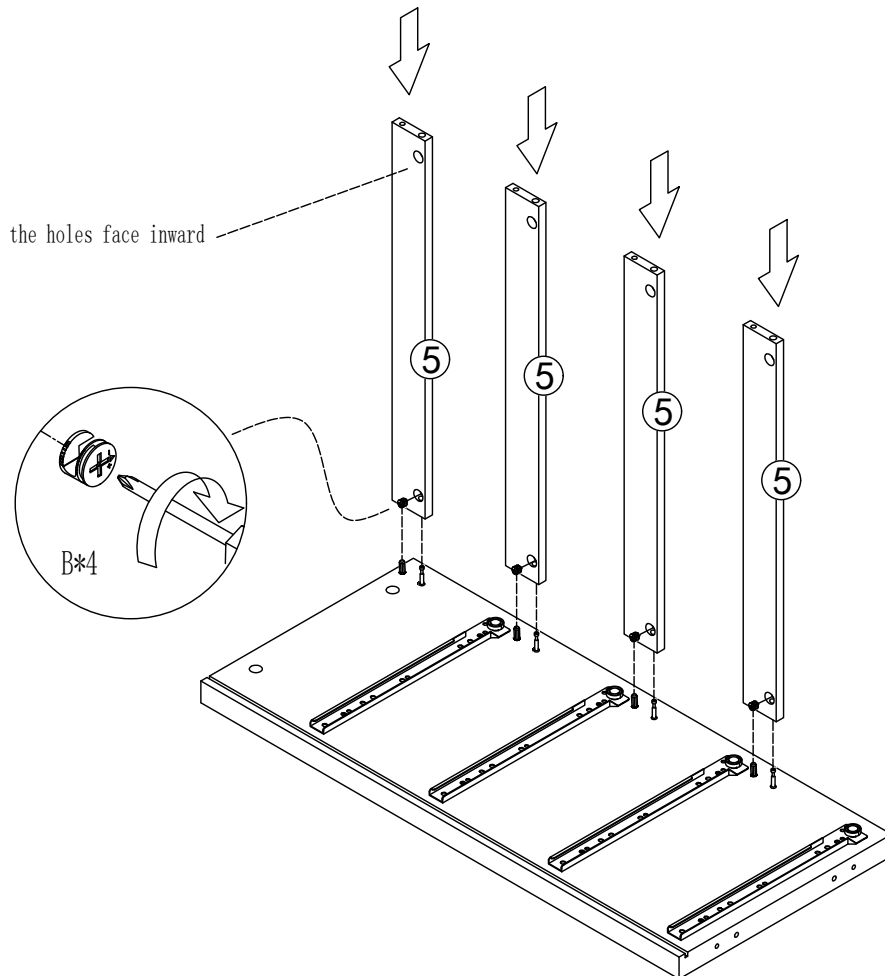
A	x4	F	x2	J	x2
					
M6*35mm	M3.5*14mm				

2



A	x8	C	x8	F	x16	CL	x4	CR	x4
M6*35mm		Ø6*30mm		M3.5*14mm		300mm		300mm	

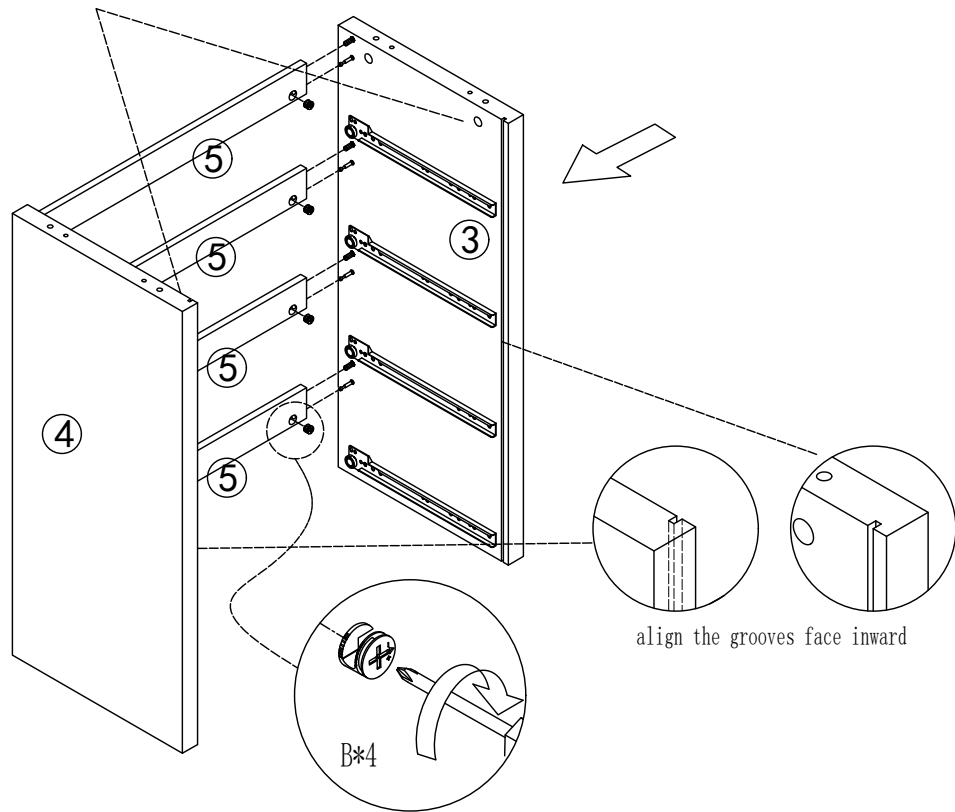
3



B	x4
Ø15*9.5mm	

4

Align the holes on board 3 and board 4 horizontally.

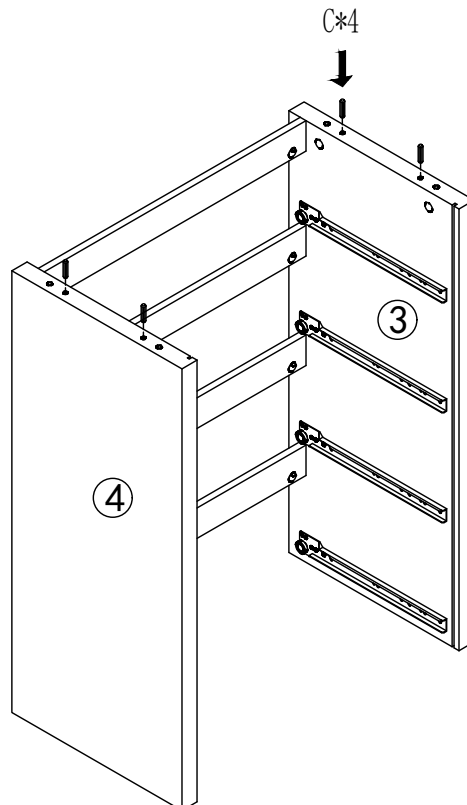


B x4



Ø15*9.5mm

5

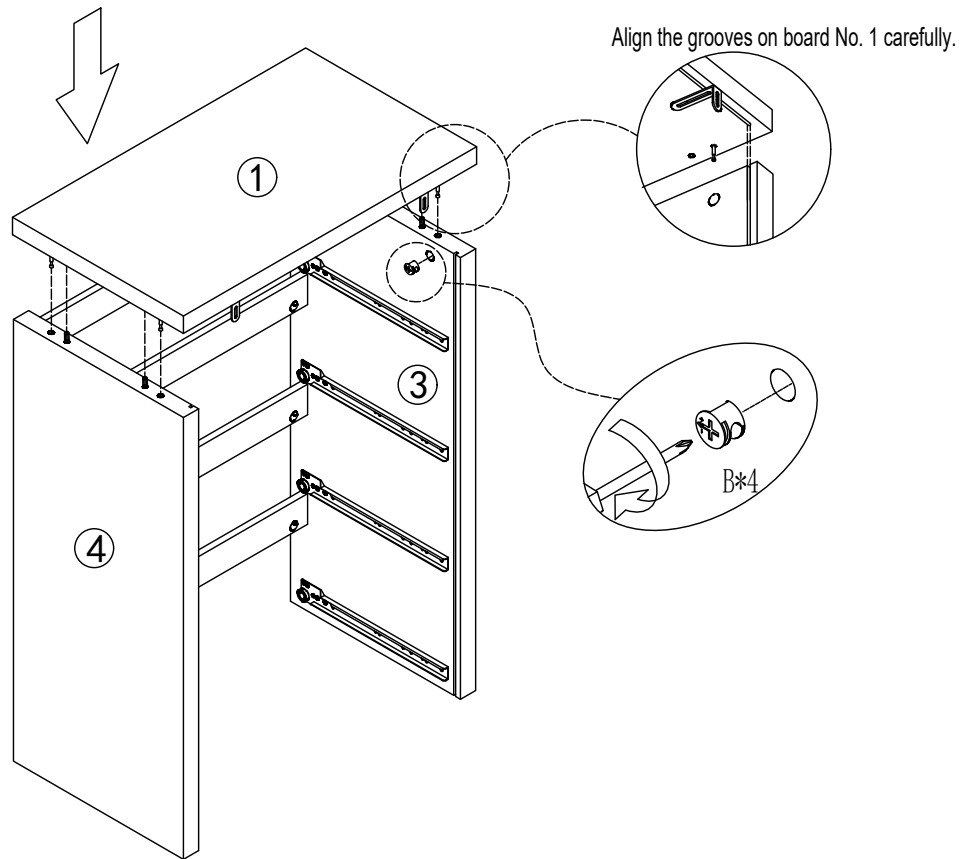



C x4



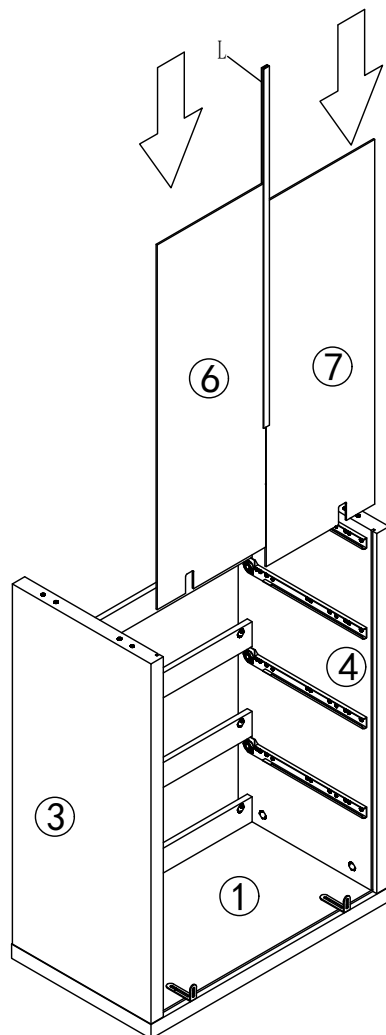
Ø6*30mm

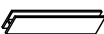
6



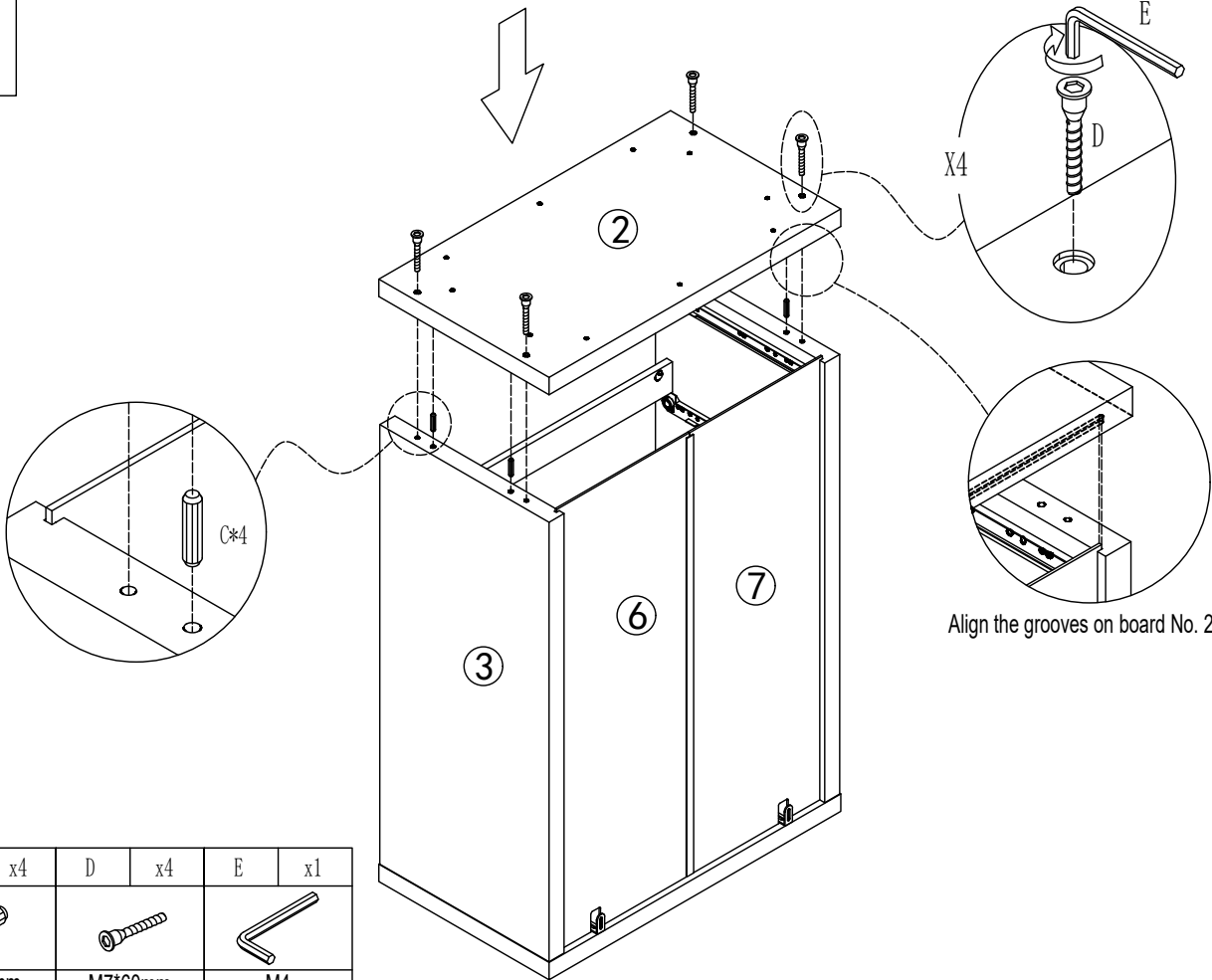
B	x4
	
Ø15*9.5mm	

7



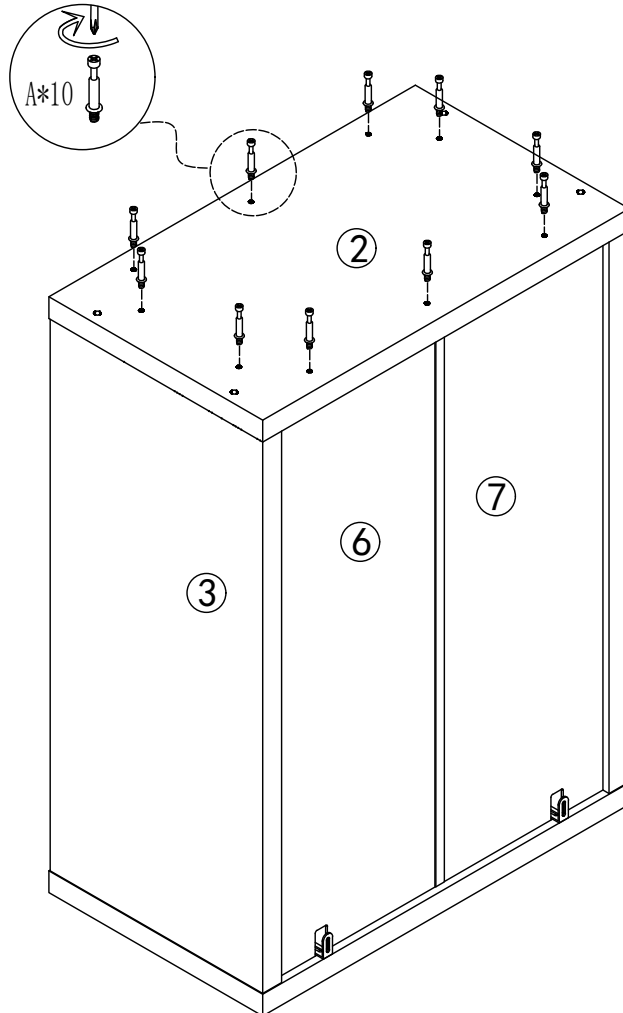
L	x1
	

8



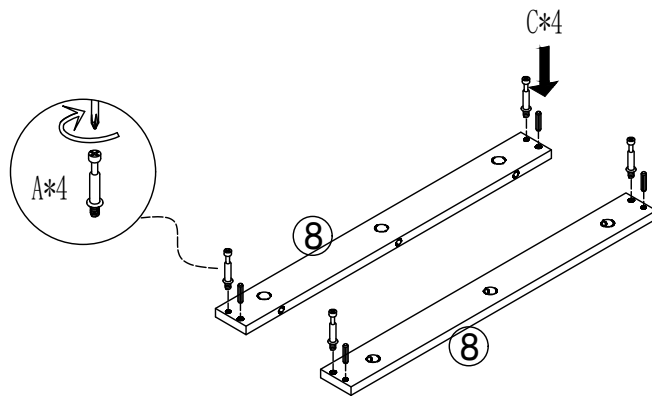
C	x4	D	x4	E	x1
Ø6*30mm		M7*60mm		M4	


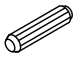
9



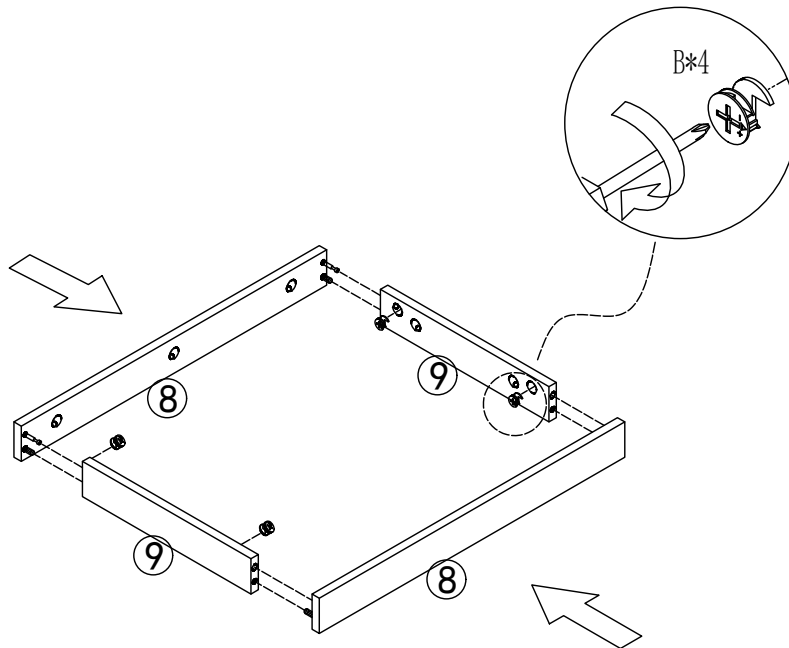
A	x10
M6*35mm	


10



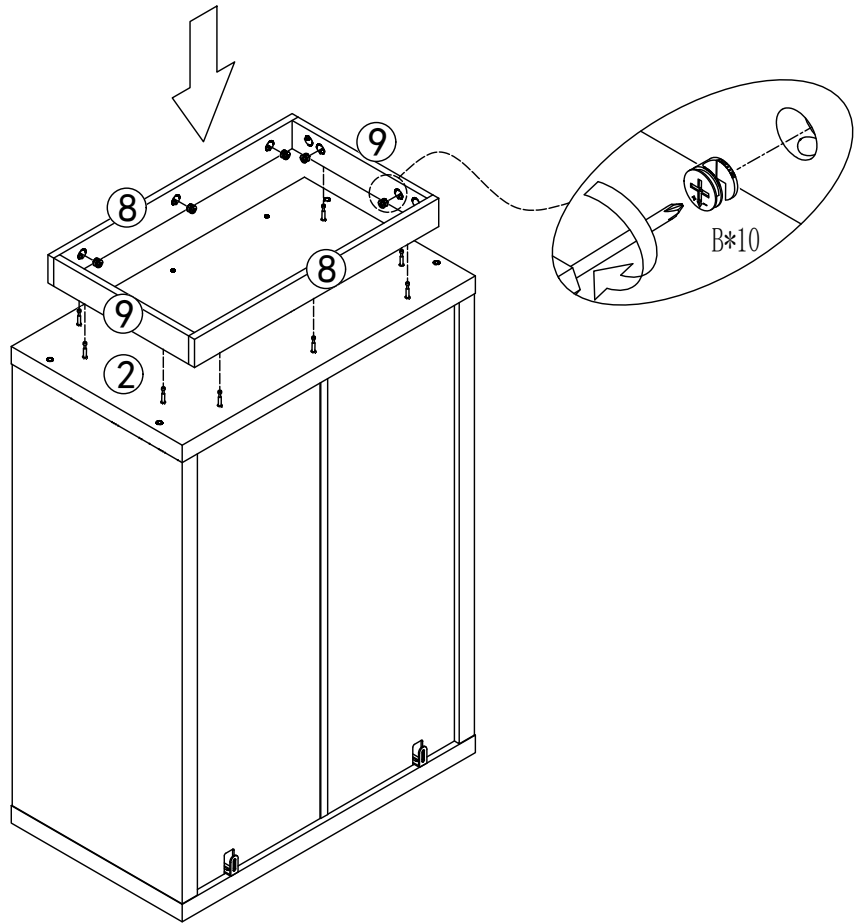
A	x4	C	x4
			
M6*35mm		Ø6*30mm	

11



B	x4
	
Ø15*9.5mm	

12

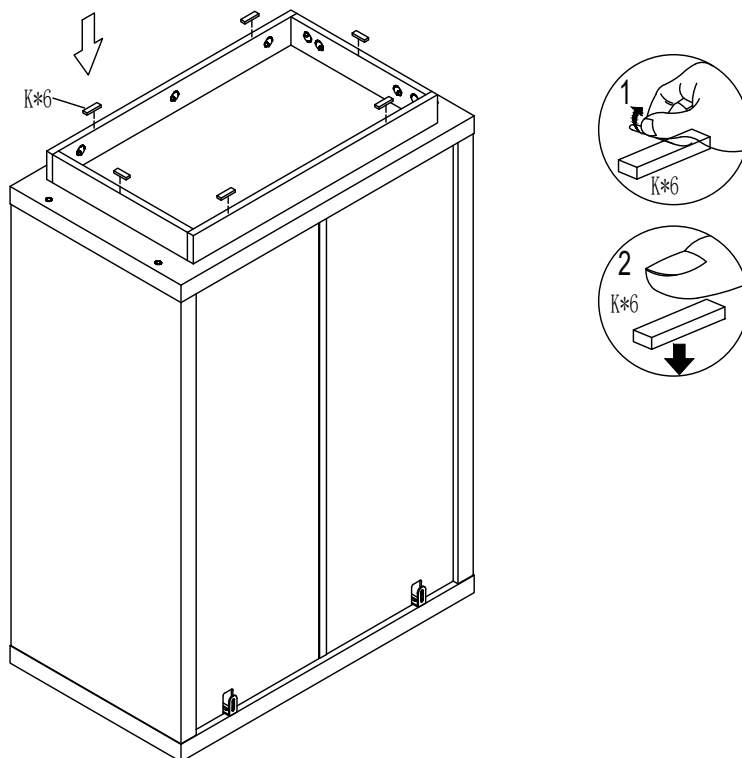


B x10



Ø15*9.5mm

13

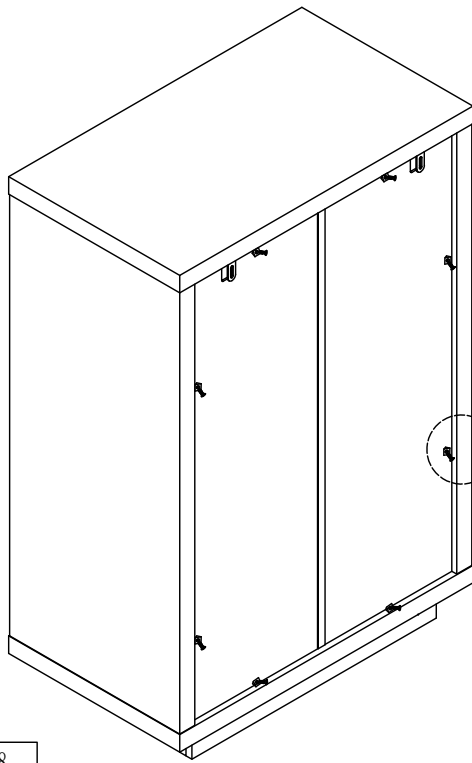


K x6

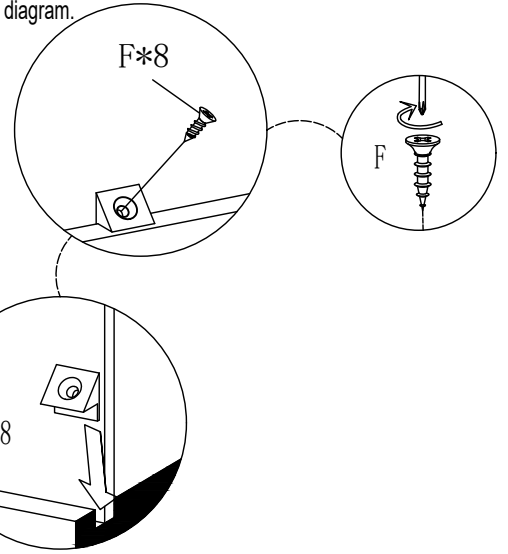



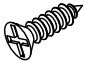
30*10*5mm

14



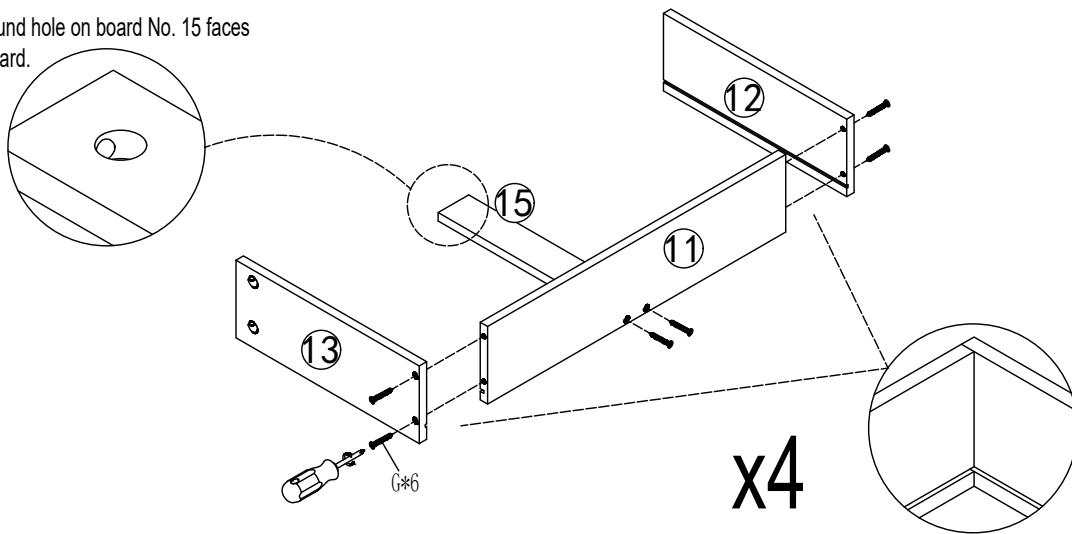
This step is critical—do not skip. Correctly install the back panel latch as shown in the diagram.



H	x8	F	x8
			
		M3.5*14mm	

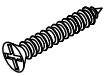
15

The round hole on board No. 15 faces downward.

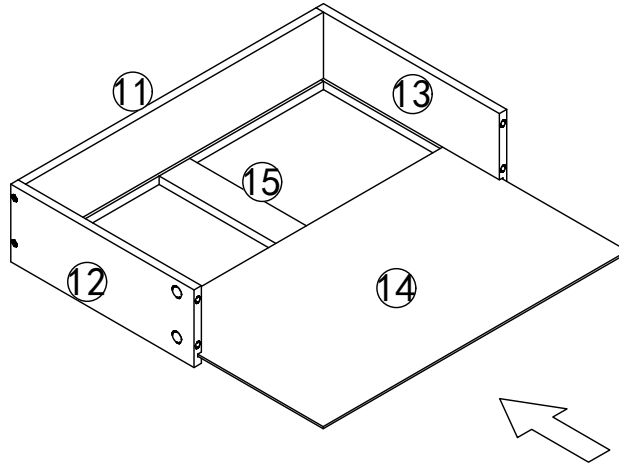


x4

Make sure the grooves on boards 11, 12, and 13 are aligned.

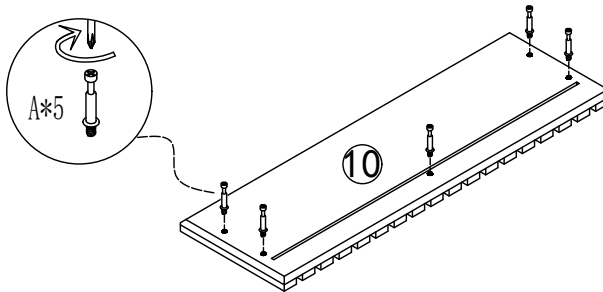
G	x24
	
M4*35mm	

16




x4

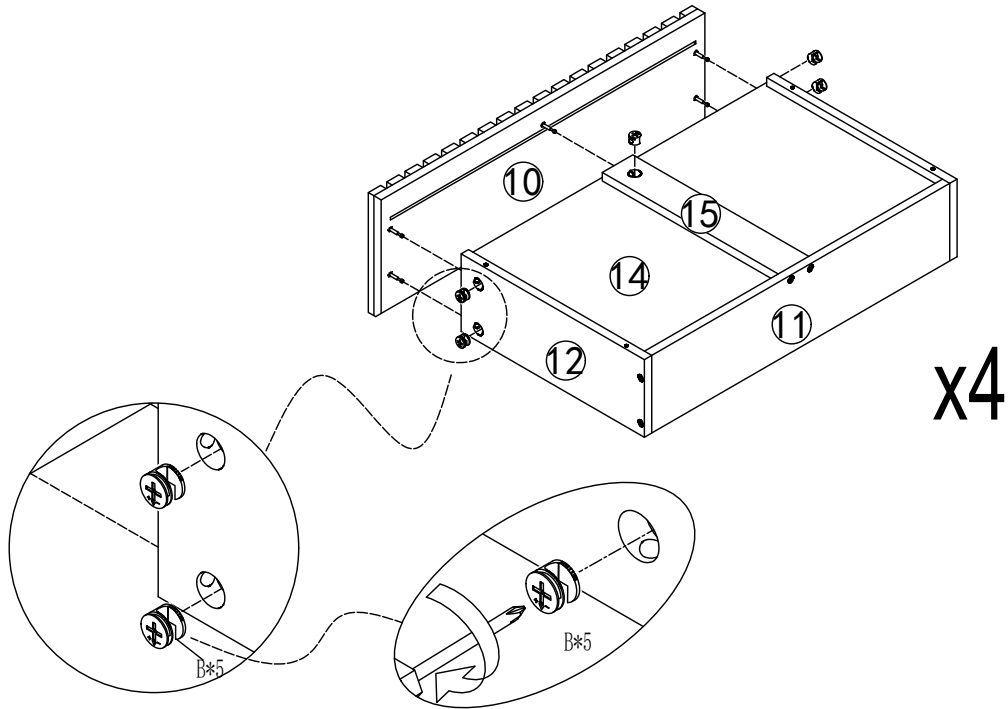
17




x4

A	x20
	
M6*35mm	

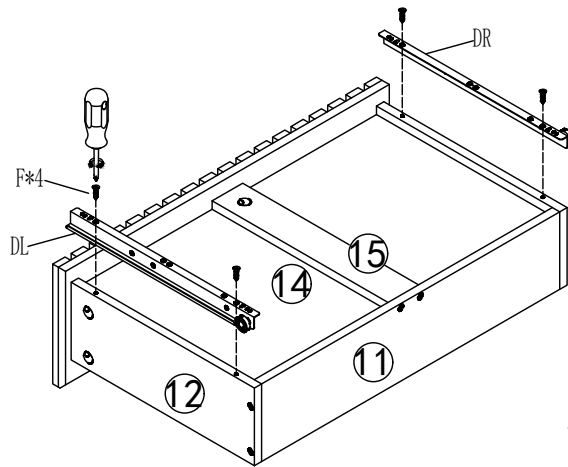
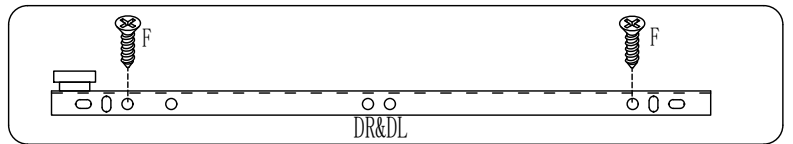
18






x4

B	x20
	
Ø15*9.5mm	

19

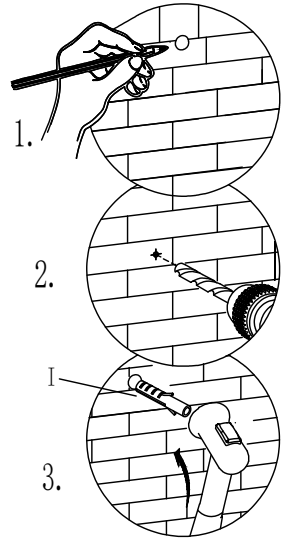
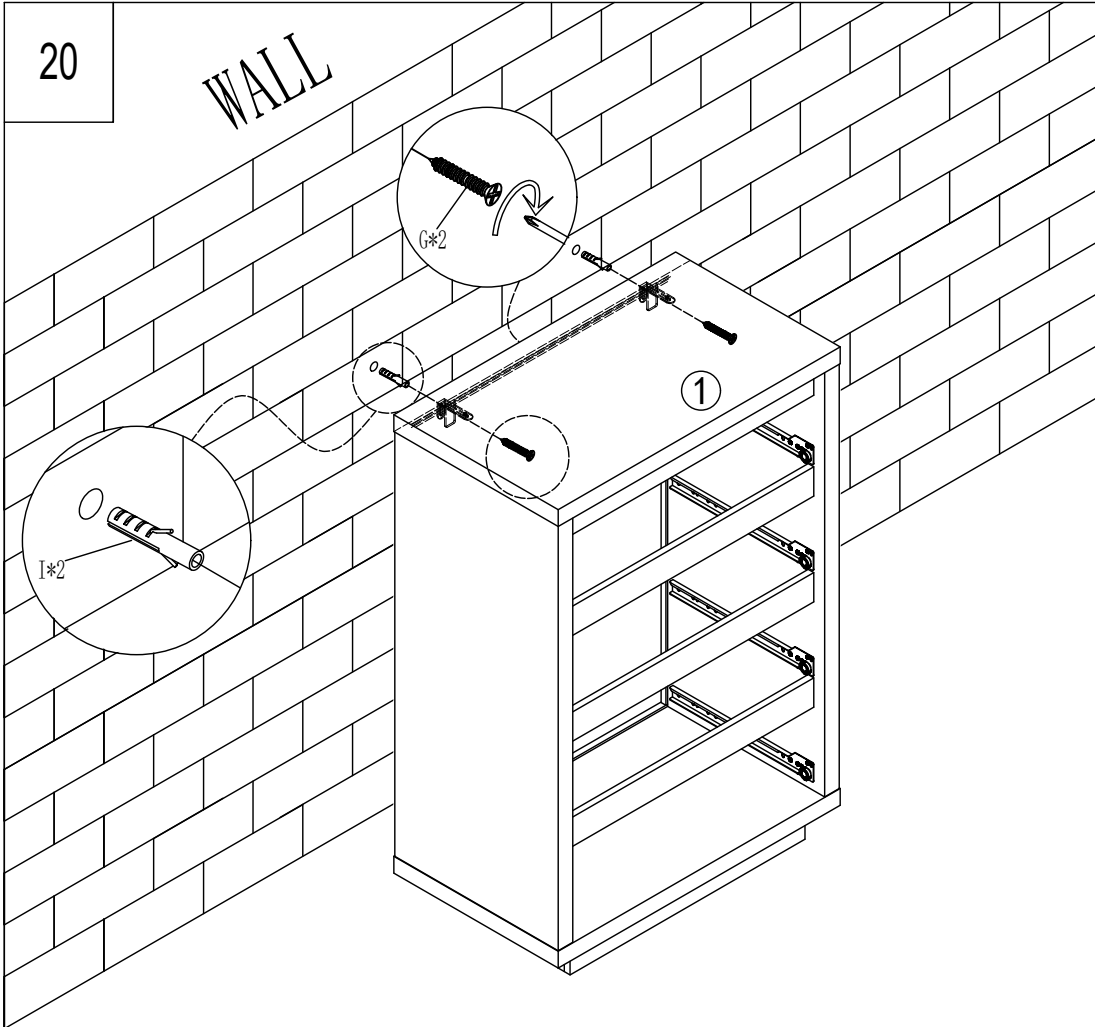


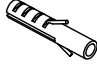
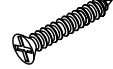
x4

F	x16	DR	x4	DL	x4
					
M3.5*14mm		300mm		300mm	

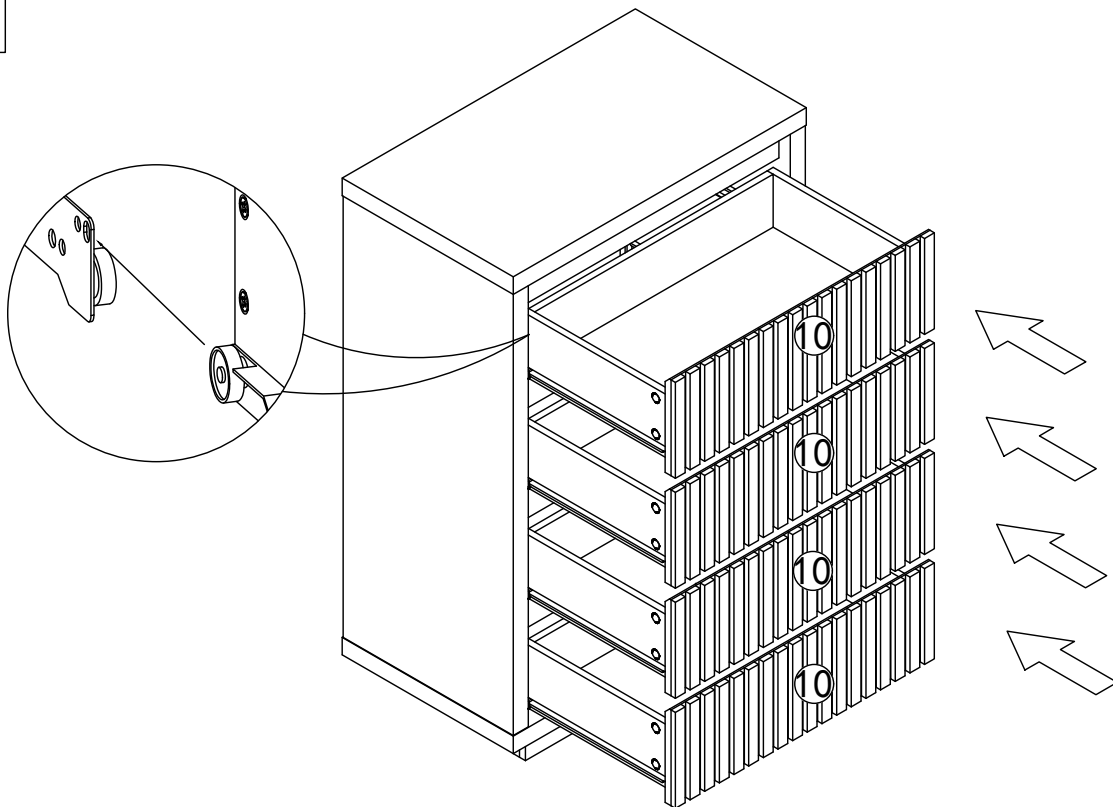
20

WALL



I	x2	G	x2
			
M4*35mm			

21



Tilting the drawer during insertion makes installation easier. Forced straight push may damage slides.