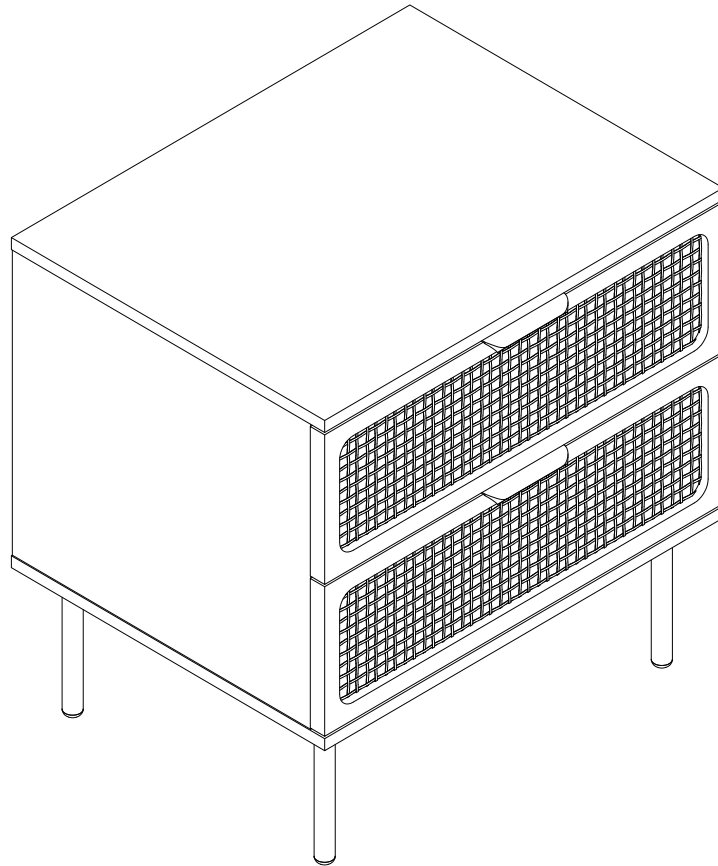


2 Drawers Dresser Chest

Assembly Instructions - Please keep for future reference



Dimensions

Width - 19.7inch
Depth - 15.4inch
Height - 21.5inch

Important – Please read these instructions fully before starting assembly

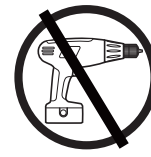


Safety and Care Advice

Important – Please read these instructions fully before starting assembly

- Check you have all the components and tools listed on the following pages.
- Remove all fittings from the plastic bags and separate them into their groups.
- Keep children and animals away from the work area, small parts could choke if swallowed.
- Make sure you have enough space to layout the parts before starting.

- During assembly do not stand or put weight on the product, this could cause damage.
- Assemble the item as close to its final position (in the same room) as possible.
- Assemble on a soft level surface to avoid damaging the unit or your floor.
- Parts of the assembly will be easier with 2 people.



- To reduce the likelihood of damaging your product please ensure that your power drill is set on a low torque setting.

Care and maintenance

- Only clean using a damp cloth and mild detergent, do not use bleach or abrasive cleaners.
- From time to time check that there are no loose screws on this unit.
- This product should not be discarded with household waste. Take to your local authority waste disposal centre.

Handy Hints

- Assemble all parts and bolts loosely during assembly, only once the product is complete should you fully tighten the bolts
- Regularly check and ensure that all bolts and fittings are tightened properly.

WARNING

In order to help prevent overturning – please follow these instructions

To help prevent product toppling over please follow the below steps:-

Use the anti tip strap or wall fixing method provided (if applicable)

Do not allow children to climb or hang on the furniture

Do not open more than one drawer at a time

Do not place heavy items in the top drawers

Do not place heavy items on top of the furniture, unless the furniture has been designed for this purpose



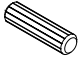


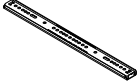
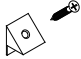





Please note that only the anti tip strap is provided.

You will need to provide wall plugs and screws applicable for your wall type

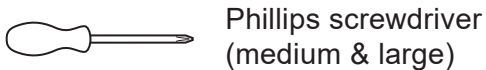
Components - Fittings

Please check you have all the fittings listed below

Note: The quantities below are the correct amount to complete the assembly. In some cases more fittings may be supplied than are required.

A  7*43mm Cam Bolt x 12	B  Cam Lock x 12	C  8*30mm Wooden Dowel x 8
D  5*40mm Screw x 12	E  7*9mm Screw x 12	F  Drawer Slide x 4
G  3*16mm Back Panel Stiffener x 4	H  4*16mm Screw x 16	I  Metal Plate x 4
J  Handle & Fixings x 2	K  4*12mm Screw x 4	L  Adjustable Foot x 4

Tools required



Ruler - Use this ruler to help correctly identify the screws

0 5 10 15 20 25 30 35 40 45 50 55 60 65 70 75 80 85 90 95 100 105 110 115 120 125 130 135 140 145 150 155 160 165 170



The screws length is measured from the head to the point (30mm screw shown).

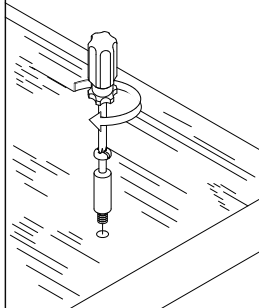
Using Camlocks

Step 1

Connect the male camlock as directed in the assembly instructions using a screwdriver.

1

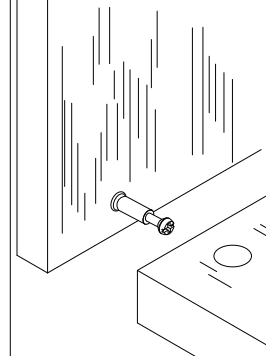
DO NOT OVER TIGHTEN.
NE PAS SERRER EXCESSIVEMENT.



Step 2

Push the male camlock into the entry hole.

2

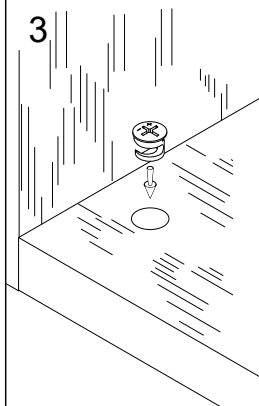


Step 3

Insert the female camlock as shown in the instructions.

Note: ensure that the arrow on the top of the camlock points towards the entry hole for the male camlock.

3



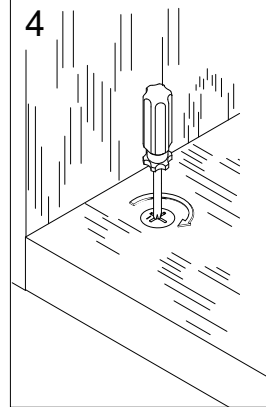
Step 4

Turn the female camlock clockwise with a screwdriver.

You should feel a click when the camlock is locked in place.

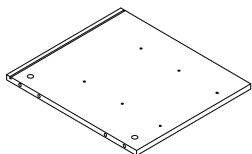
The joint is now secure.

4

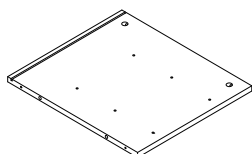


Components - Panels

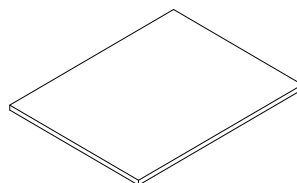
Please check you have all the panels listed below



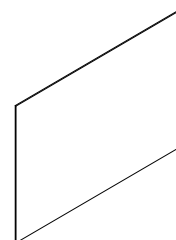
1 (33.5 x 36.5 x 1.5cm) x 1



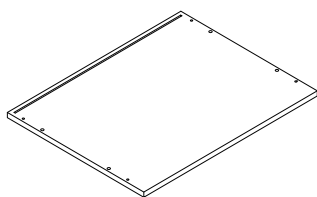
2 (33.5 x 36.5 x 1.5cm) x 1



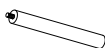
3 (50 x 39 x 1.5cm) x 1



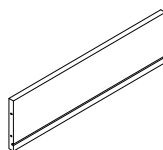
4 (47.8 x 34.5 x 0.25cm) x 1



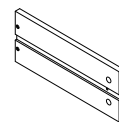
5 (50 x 39 x 1.5cm) x 1



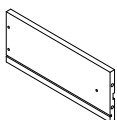
6 (16.5 x 2.5cm) x 4



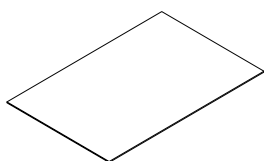
7 (42.7 x 11.5 x 1.5cm) x 2



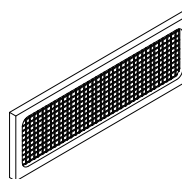
8 (33 x 11.5 x 1.5cm) x 2



9 (33 x 11.5 x 1.5cm) x 2

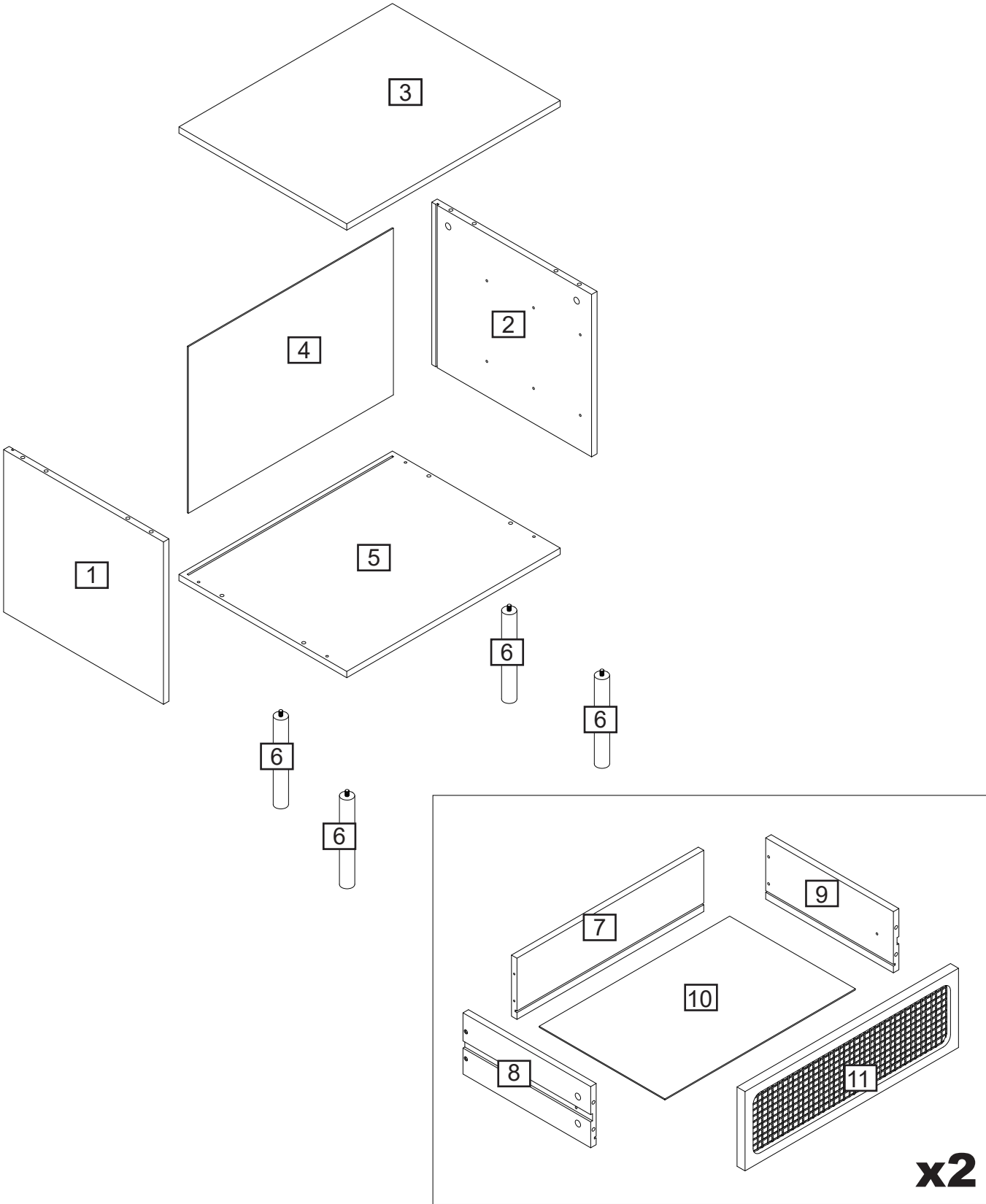


10 (43.7 x 32.4 x 0.25cm) x 2



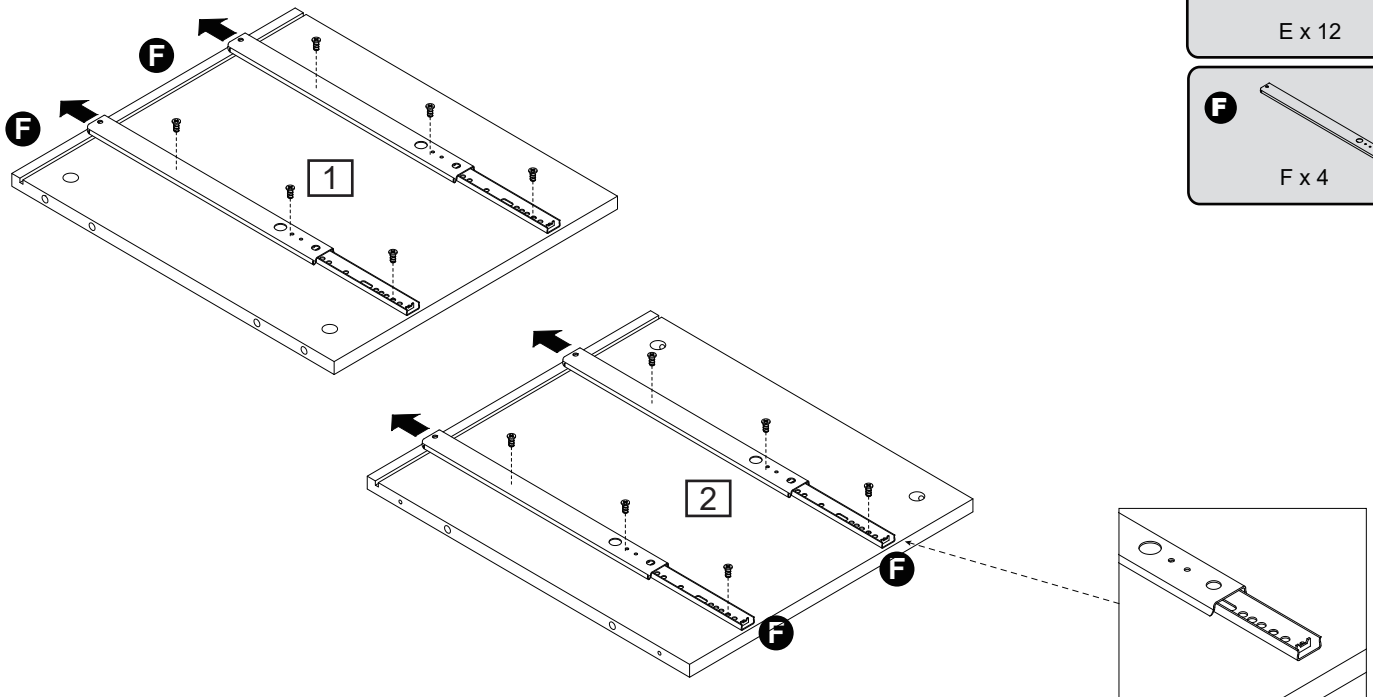
11 (49.7 x 16.1 x 2.2cm) x 2

Assembly Instructions

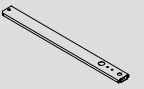


Assembly Instructions

Step 1

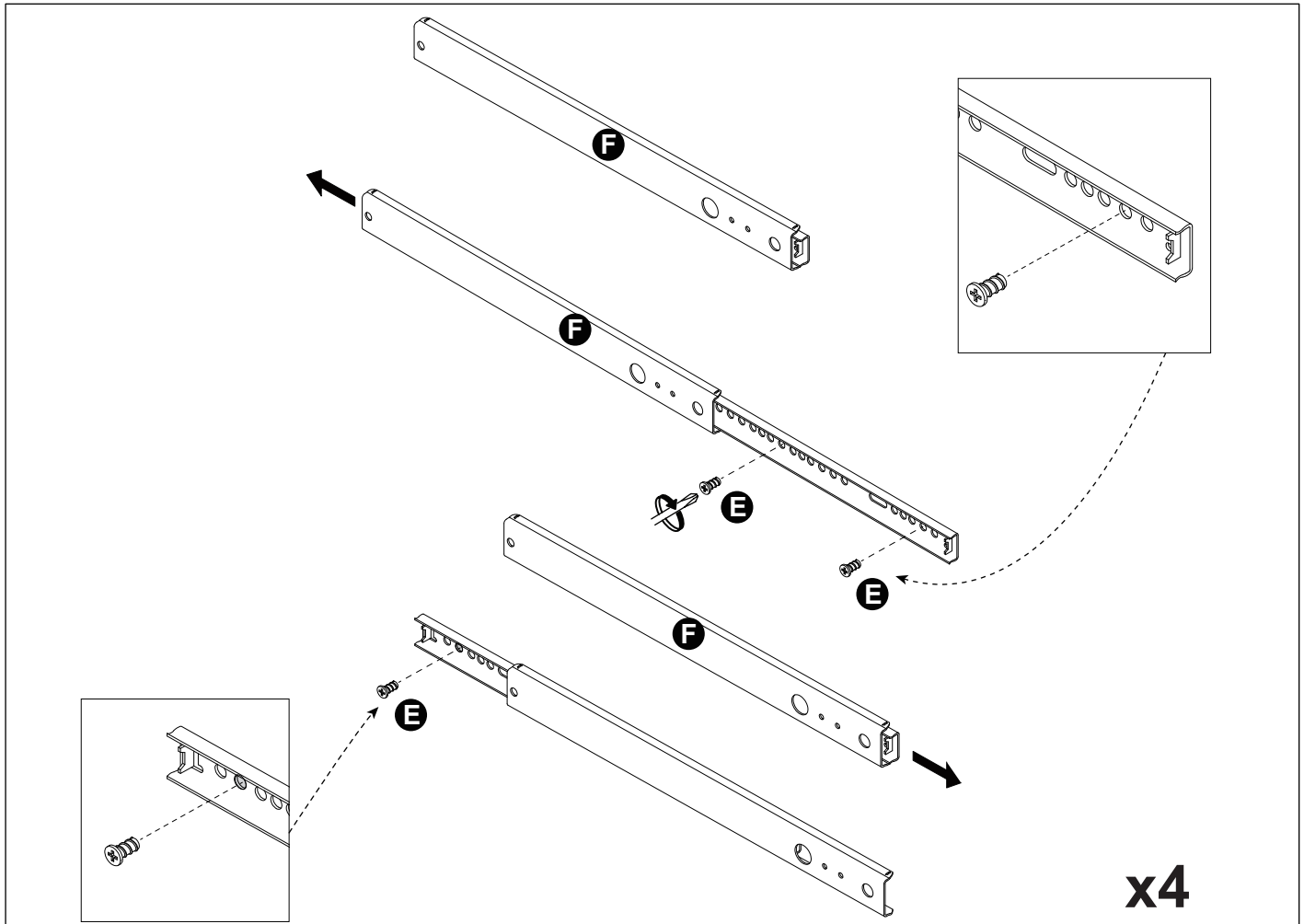


E 
E x 12

F 
F x 4



Note: Please pay attention to the direction of the arrows on the drawer slides.



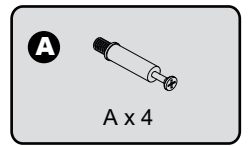
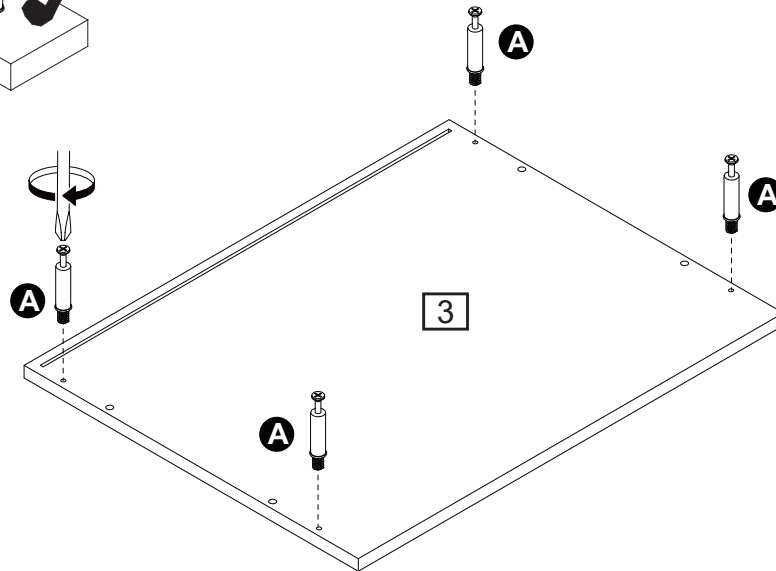
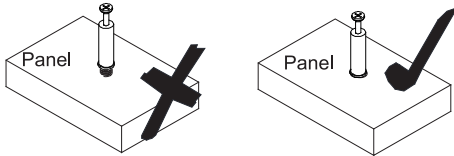
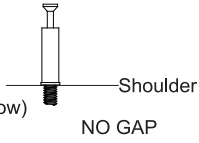
Attach drawer slide (F) to part (1, 2) using screw (E) with a screwdriver.

Assembly Instructions

Step 2

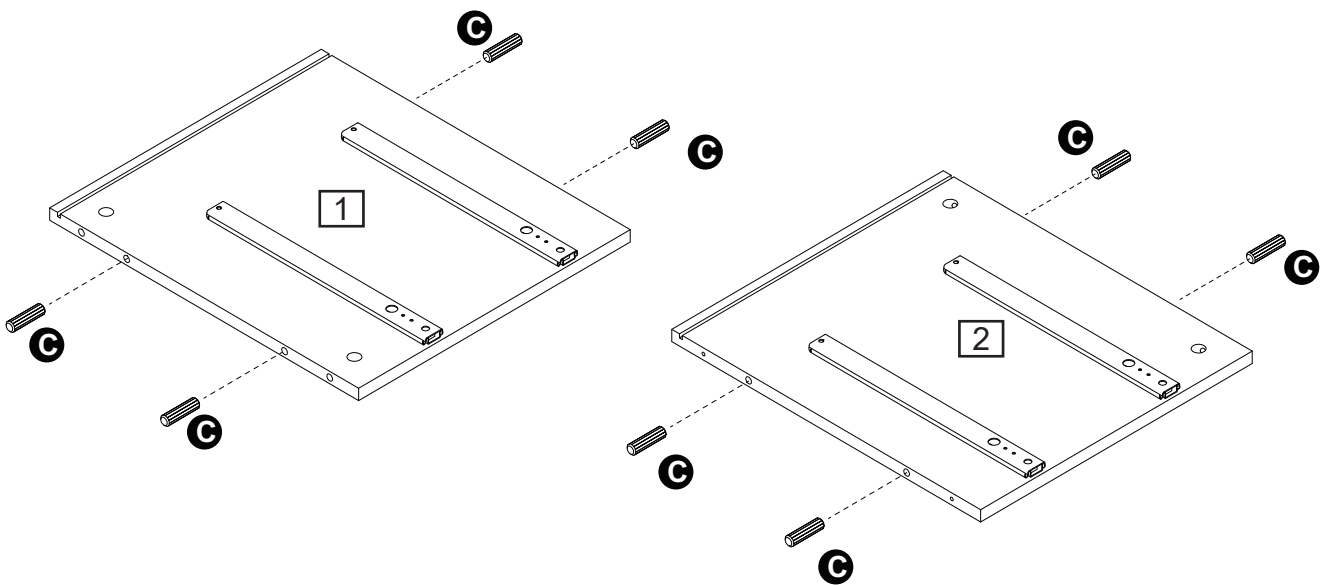
CAM-LOCK

Tighten until shoulder is flush with panel. Do not overtighten or undertighten (see example below)



Attach cam bolt (A) to part (3) with a screwdriver.

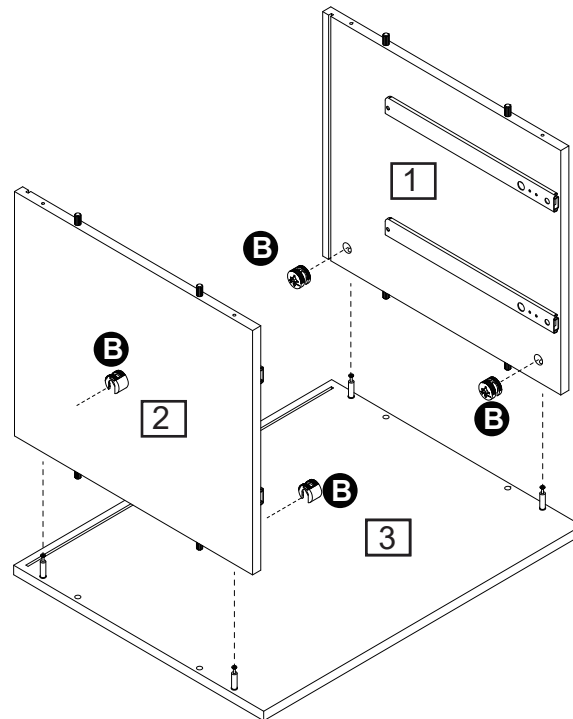
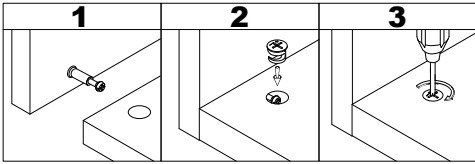
Step 3



Insert wooden dowel (C) into part (1,2).

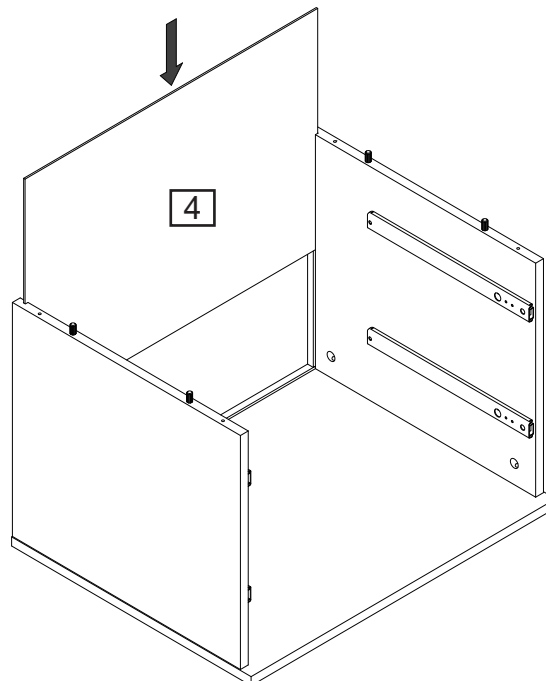
Assembly Instructions

Step 4



Attach part (1, 2) to part (3), then insert and secure cam lock (B) to part (1, 2) to lock it.

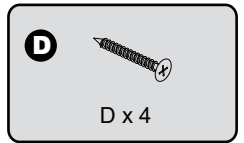
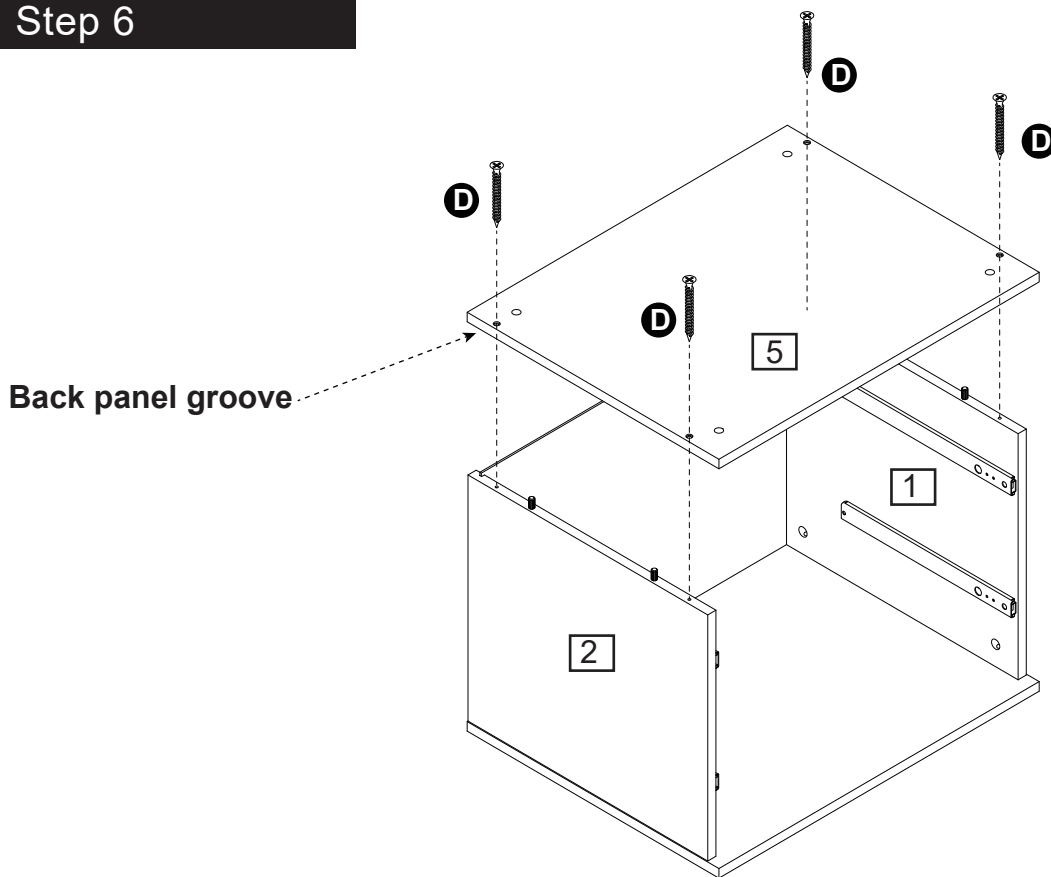
Step 5



Slide the back panel (4) into grooves as per diagram.

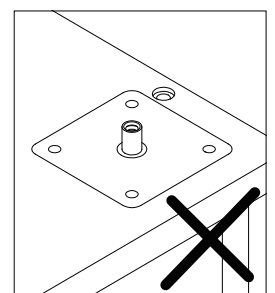
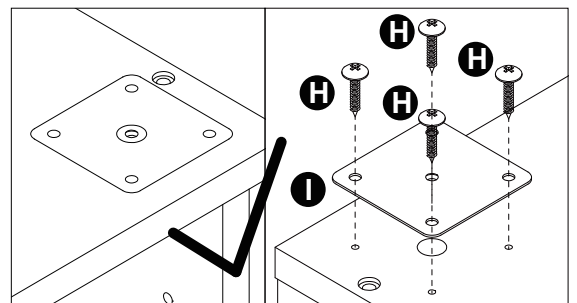
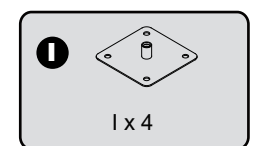
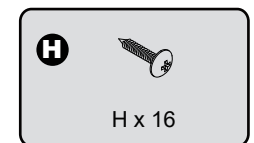
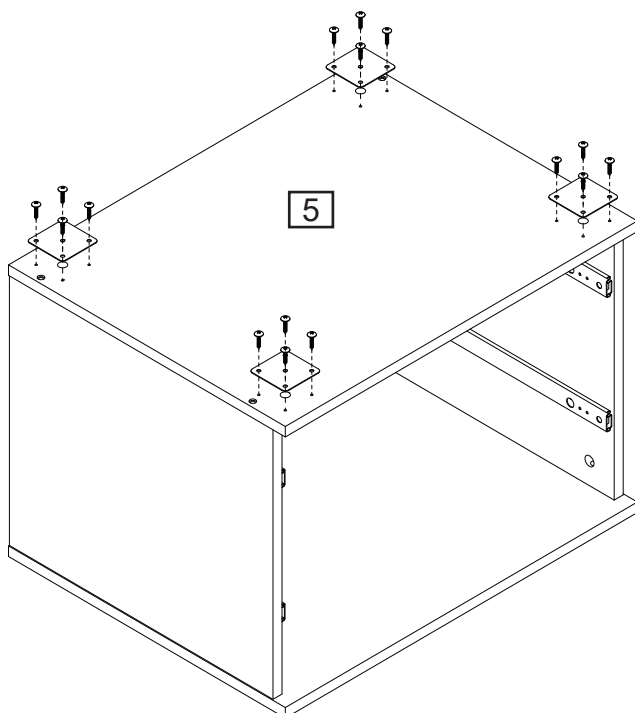
Assembly Instructions

Step 6



Attach part (5) to part (1, 2) using screw (D) with a screwdriver.

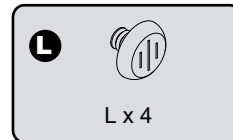
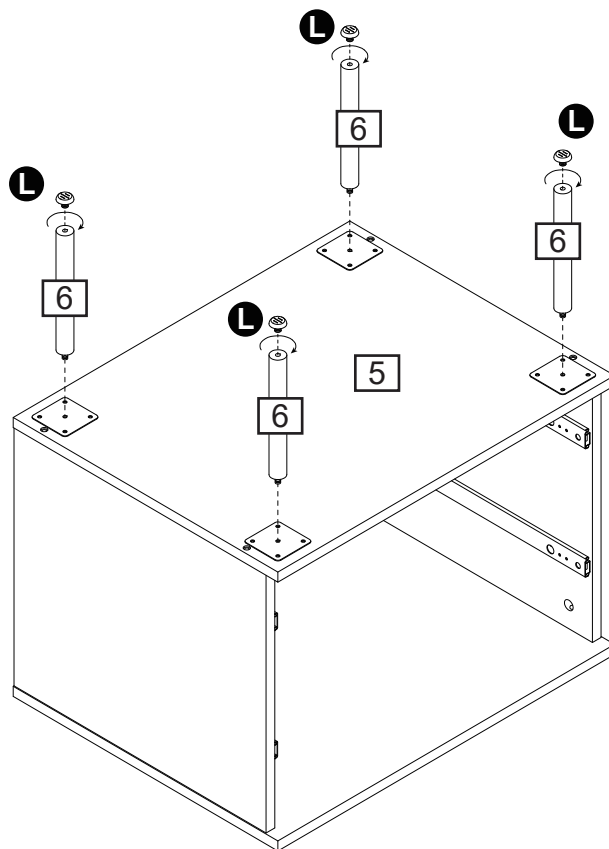
Step 7



Attach metal plate (I) to part (5) using screw (H) with a screwdriver.

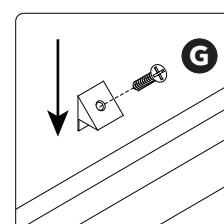
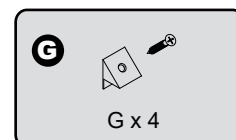
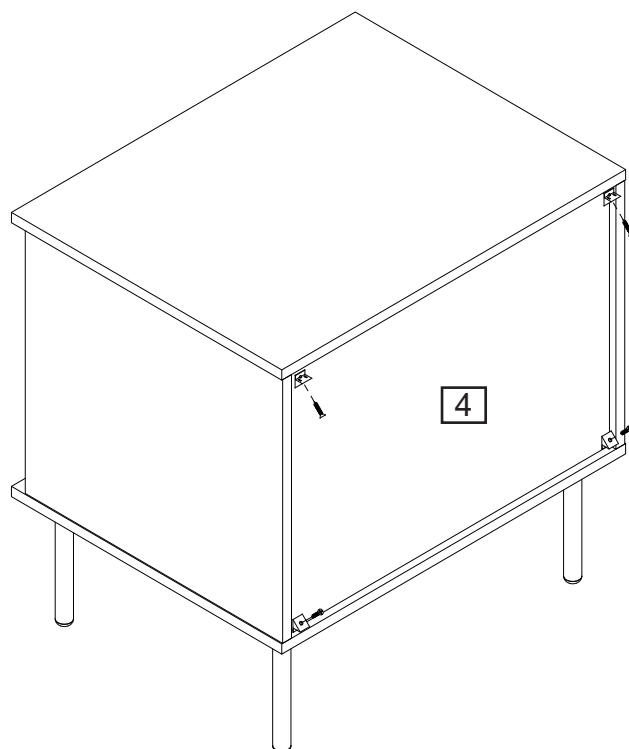
Assembly Instructions

Step 8



Screw the leg(6) into part (5), then screw the adjustable foot(L) into the leg(6).

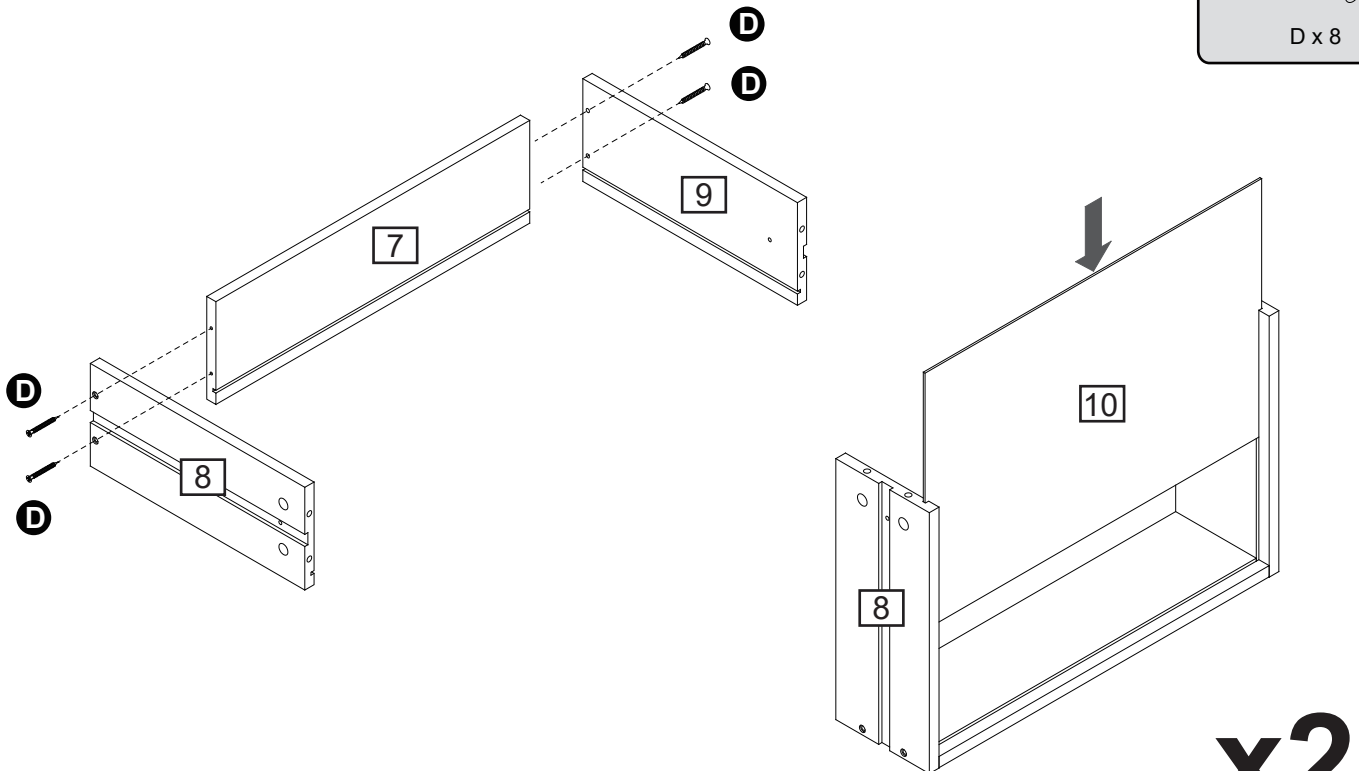
Step 9



Attach plastic wedge (G) to back panel (4) using screw (G) with a screwdriver.

Assembly Instructions

Step 10

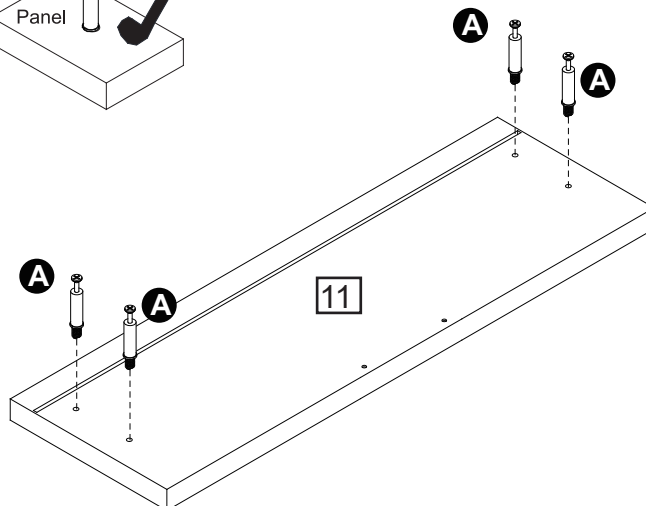
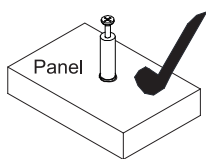
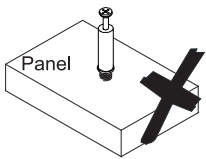
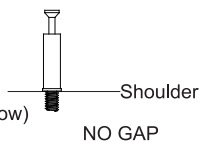


Attach part (8, 9) to part (7) using screw (D) with a screwdriver.
Slide part (10) into grooves as per diagram.

Step 11

CAM-LOCK

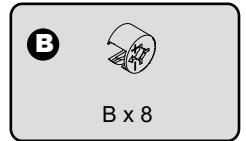
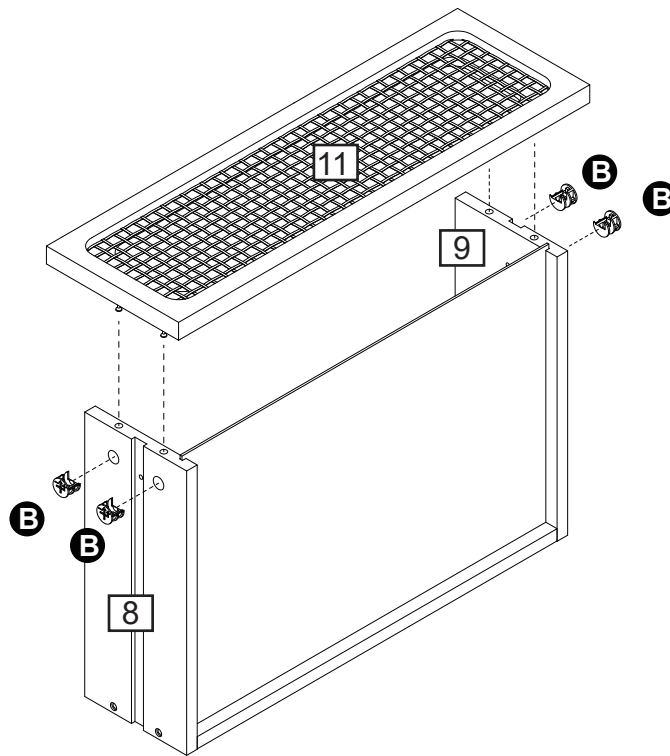
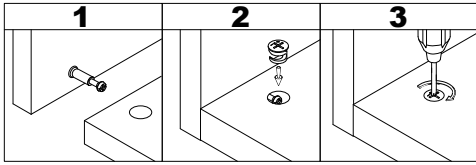
Tighten until shoulder is flush with panel. Do not overtighten or undertighten (see example below)



Attach cam bolt (A) to part (11) with a screwdriver.

Assembly Instructions

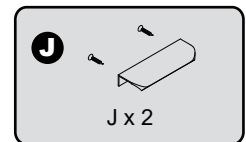
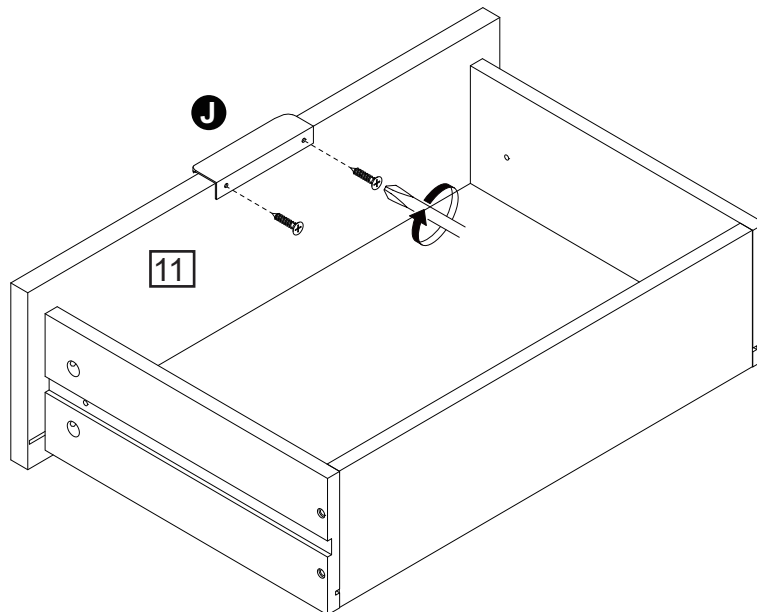
Step 12



x2

Attach part (11) to part (8, 9), then insert and secure cam lock (B) to part (8, 9) to lock it.

Step 13

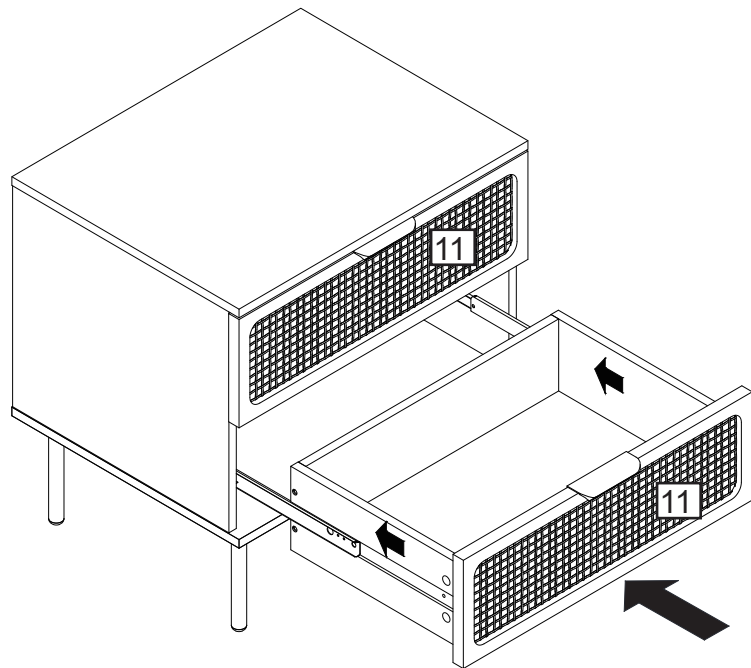
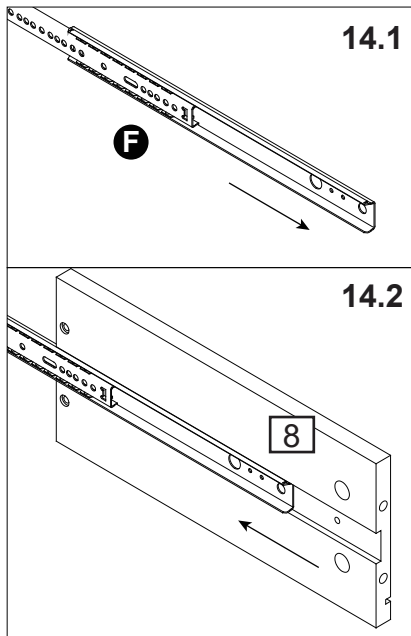


x2

Attach handle (J) to part (11) using screw (J) with a screwdriver.

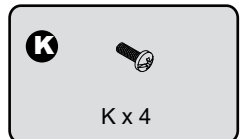
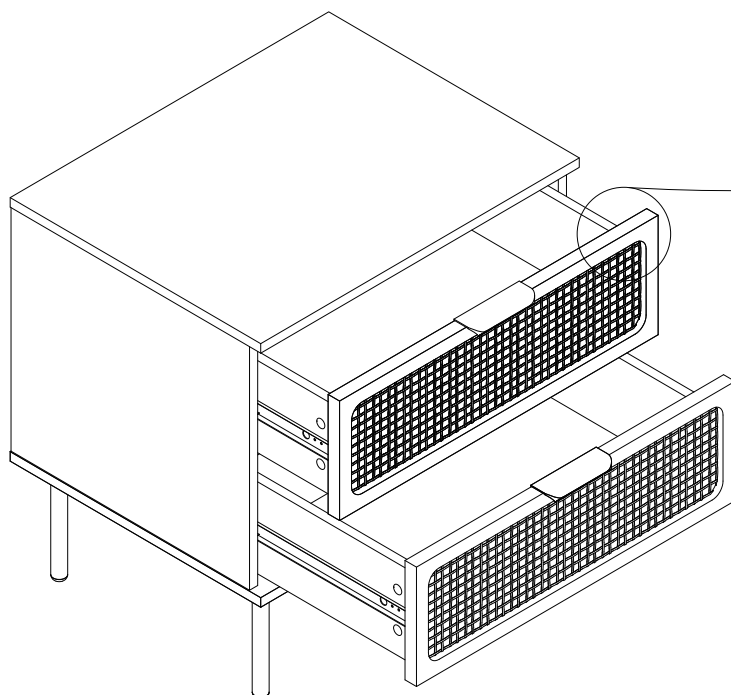
Assembly Instructions

Step 14



Slide the drawer slide (F) into grooves on both side of the drawer as per diagram.

Step 15

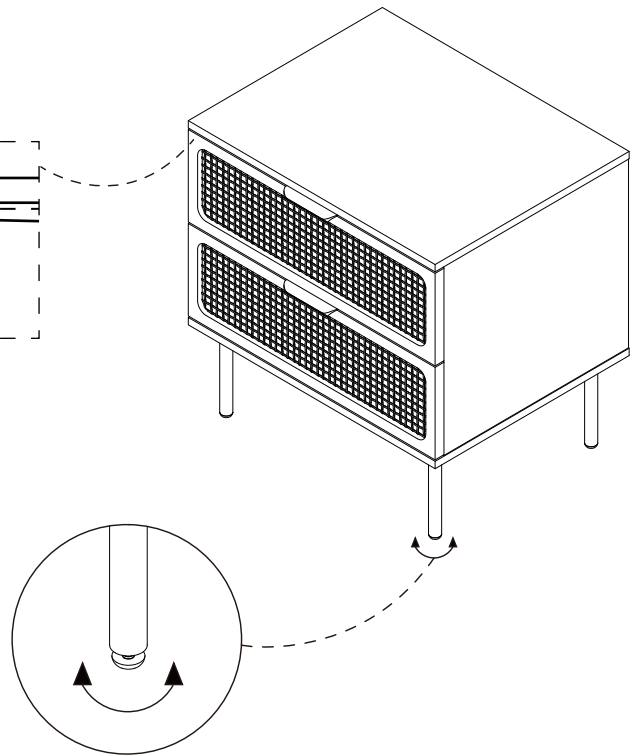
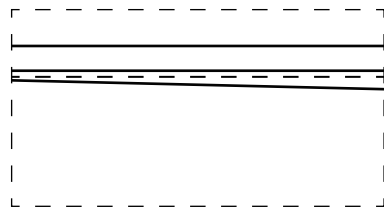


Use screw (K) to secure drawer slide (F) to the drawer.

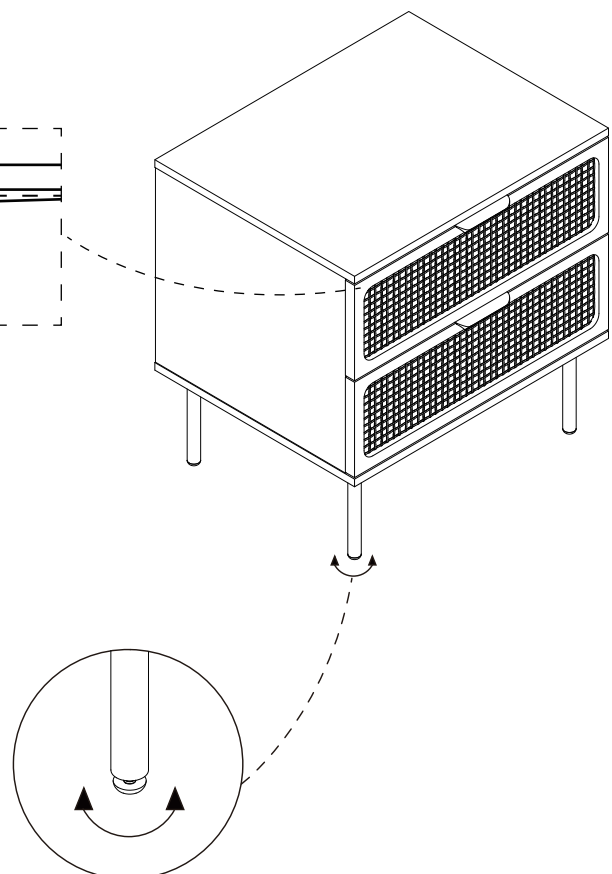
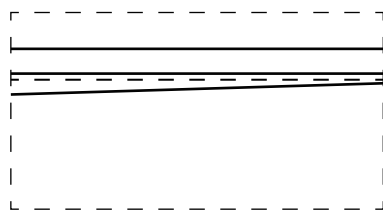
Is your dresser chest door looking crooked or unevenly spaced?

If you're still having trouble lining everything up, your next step should be to try to adjust the feet slightly to square up the dresser chest and doors. Follow the instructions below:

If the right side of the door appears to be hanging low, you can adjust the adjustable leveler on the front right until the door is better aligned.

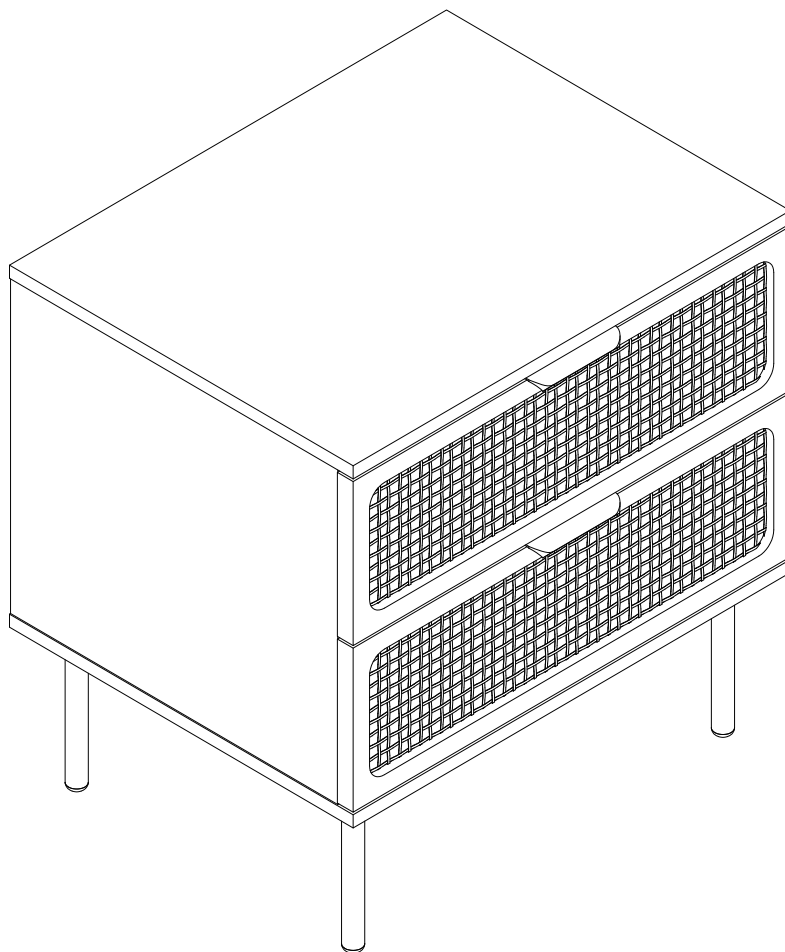


If the left side of the door appears to be hanging low, you can adjust the adjustable leveler on the front left until the door is better aligned.



Assembly Instructions

Step 16



Assembly is complete.