



Assembly Instruction Manual

Please read instructions thoroughly before beginning assembly.

Check boxes carefully for contents listed. Some parts are packaged inside of others.

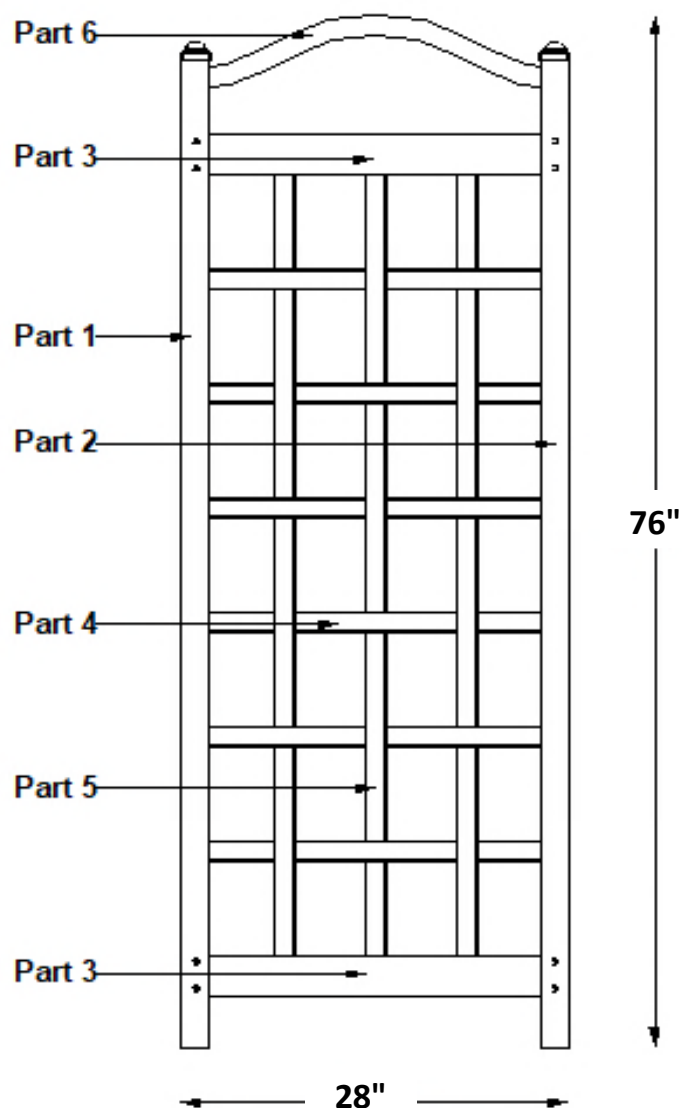
Assemble on a clean, flat, non-abrasive surface to prevent scratching.

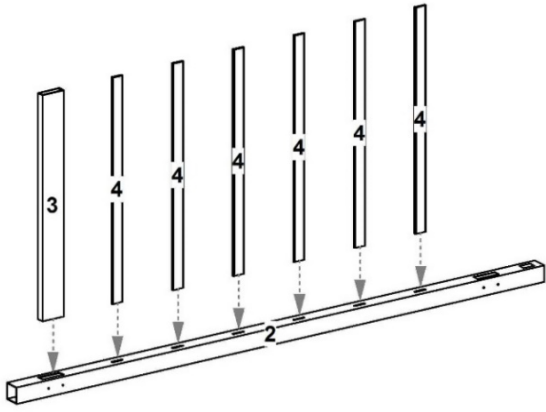
In the event of missing or damaged parts please call or email our customer service department at the contact info below.

Tools Required

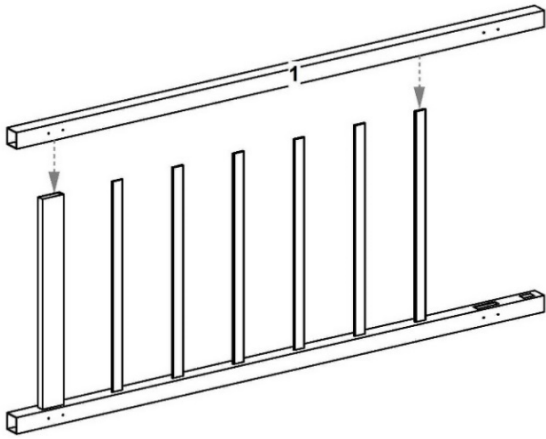
- Battery or Electric Drill (#2 phillips bit)
- Hammer or Rubber Mallet (Recommended)
- Shovel or Post Hole Digger (Recommended)
- PVC, Super or Crazy Glue

Part #	Description	Dimension	Box #	Qty
1	Left Post	2" sq. x 74"	1	2
2	Right Post	2" sq. x 74"		
3	Top/Bottom Cross Rail	$\frac{7}{8}$ " x 3" x 27 $\frac{1}{2}$ "	1	2
4	Vertical Slat	$\frac{1}{4}$ " x 1 $\frac{1}{2}$ " x 63"	1	5
5	Horizontal Slat	$\frac{1}{4}$ " x 1 $\frac{1}{2}$ " x 27 $\frac{1}{2}$ "	1	6
6	Bent Top	$\frac{7}{8}$ " x 1 $\frac{1}{2}$ " x 27 $\frac{1}{2}$ "		
7	Ground Anchor	14"	1	2
8	Hardware Bag (Includes):		1	1
	▪ Post Cap	2" square		2
	▪ Painted Screw	1 $\frac{1}{4}$ "		8
	▪ Painted Screw	#8 - 1"		4

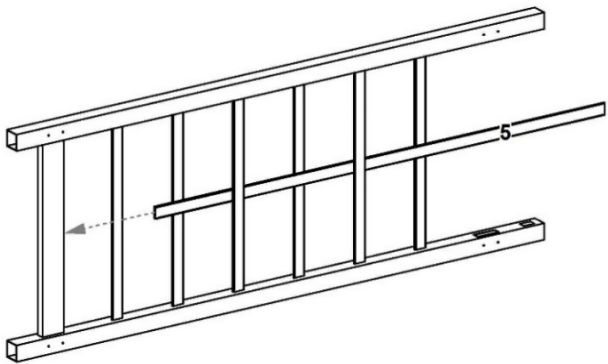




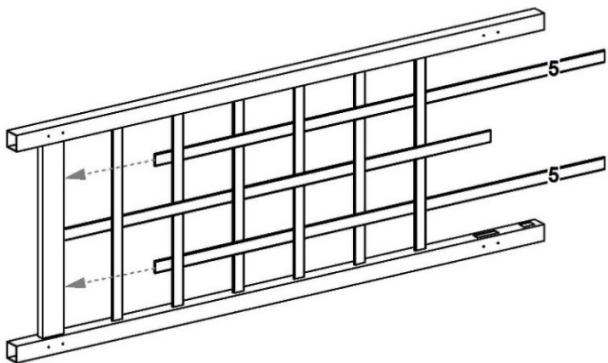
1 Lay out one right post (part 2). Starting at bottom, insert one top/bottom cross rail (part 3) and six horizontal slats (part 4).



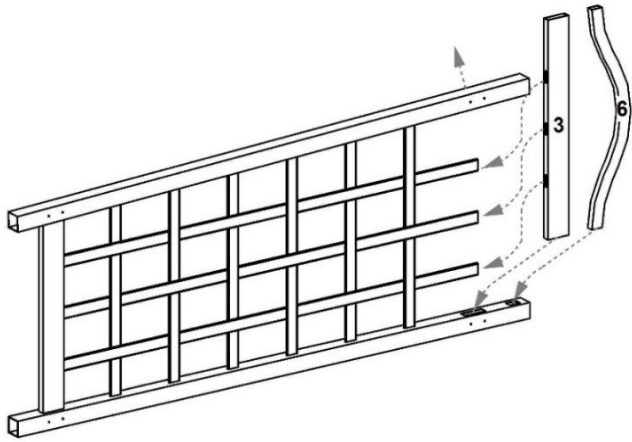
2 Slide left post (part 1) over corresponding cross rail and slats.



3 Weave one vertical slat (part 5) through horizontal slats. Insert end into center hole of top/bottom cross rail.

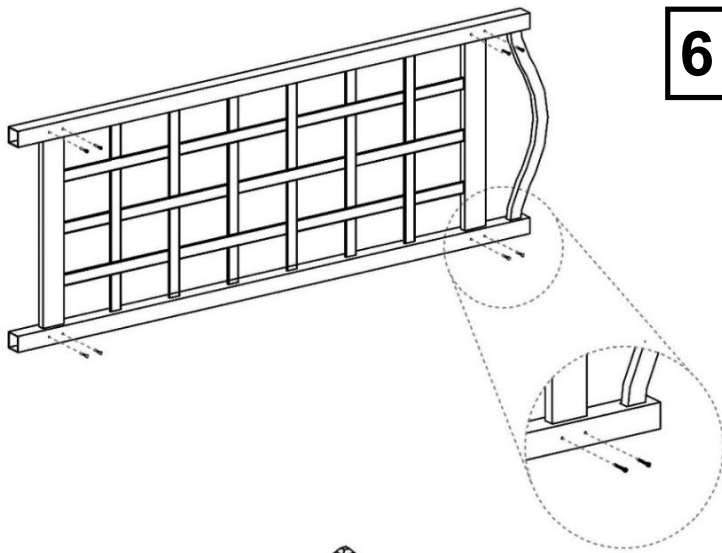


4 Weave remaining two vertical slats (part 5) through horizontal slats opposite of center vertical slat. Insert ends into remaining holes of top/bottom cross rail.



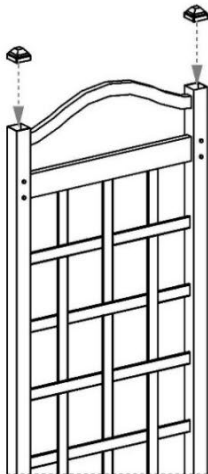
5

Separate tops of post just enough to insert remaining top/bottom cross rail (part 3) and bent trellis top (part 6).



6

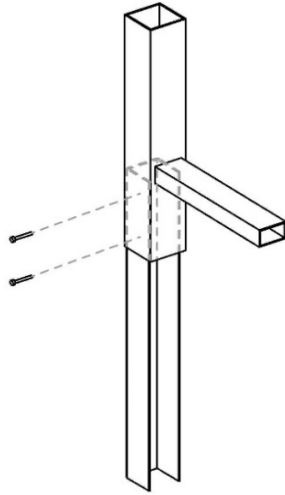
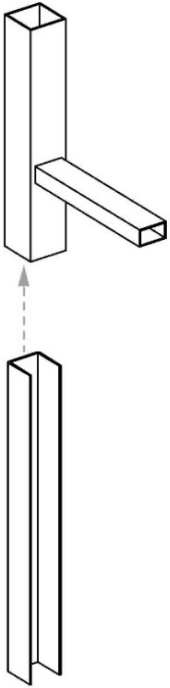
Using four 1¼" screws per post, screw together trellis. Be sure that all parts are fully inserted into posts before securing.



7

Using PVC, super or crazy glue; glue post caps onto posts.

Ground Anchor Installation



Option 1 (soft ground)

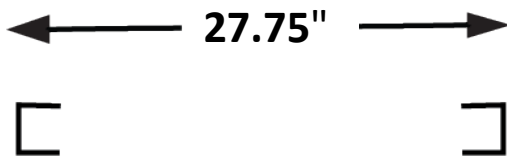
Slide one ground anchor (part 12) into bottom of each post until it meets bottom cross rail. Using two 1" self-tapping screws per post, screw the post to ground anchor using the pilot holes for guides.

Using ground anchor installation layout drawing, dig holes approximately 12" deep. Set trellis in holes and level. Back fill with soil removed from holes.

Option 2 (permanent installation)

NOTE: There is very little room for error with this installation method.

Ground Anchor Layout Drawing



Using ground anchor installation layout drawing, dig holes 12" deep according to dimensions. Fill with cement and place ground anchors in wet cement. Be sure that ground anchors are straight and in accordance with dimension of ground anchor installation layout drawing. Allow cement to dry.

Slide trellis over ground anchors. Using two 1" self-tapping screws, fasten post to ground anchor.

Warranty Statement

20 Year Guarantee

Products are warranted to be free from manufacturing defects resulting in delaminating, peeling, flaking, corroding, cracking, crazing, or extreme amounts of fading or bleaching causing the PVC to change to its natural color for a period of 20 years from the date of purchase.

Normal weathering is defined as exposure to sunlight and extremes of weather and atmosphere which will cause any colored surface to gradually fade.

CONDITIONS NOT COVERED BY THIS WARRANTY:

- A. Physical abuse, misuse, neglect, or improper storage.
- B. Improper installation or installation not in strict adherence to the instructions written by us.
- C. This warranty does not apply if materials are painted, varnished, or coated with any substance.
- D. We are not responsible for damages to product during shipping.
- E. Damage attributable to atmospheric pollutants, hail, lightning, hurricane, tornado, wind borne objects, earthquake, fire, mildew, casualty, act of God, building or ground settlement, or subjection to stress or weight.

CLAIMS AND REMEDIES:

Product is determined to have a manufacturing defect which is covered by this warranty, We will replace the material containing the defect (labor not included) F.O.B from the point of manufacture. We will not be responsible for any cost incurred in the removal or re-installation of the product.

Important: All claims must be sent to the following address and should describe the defect claim.

We reserves the right to discontinue or change its design and/or color. If the original color or style is not available, We shall have the right to substitute a product designated by us.

We shall not be liable for any incidental, special, or consequential damages arising out of the use of these products.