

## UNDER-THE-SINK ORGANIZER

Model #: SHE14165

### Customer Service Information

**Seville Classics, Inc.**

Telephone: (800) 323-5565

Fax: (310) 533-3899

Hours: 8:30 AM – 4:30 PM (PST)

Email: [Support@SevilleClassics.com](mailto:Support@SevilleClassics.com)

Online Store: [www.SevilleClassics.com](http://www.SevilleClassics.com)

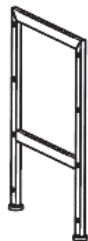
**Thank you for choosing Seville Classics!**

We hope you enjoy your new under-the-sink organizer. Please read through these assembly instructions and frequently asked questions to ensure proper assembly.

The contact information for our live customer support team based in California is on the last page.

Please review the below parts list to ensure you received all the necessary parts.  
If you are missing any parts or have trouble with assembly,  
please contact our live customer support team at **(800) 323-5565** or  
**[Support@sevilleclassics.com](mailto:Support@sevilleclassics.com)**, which can assist you in both English and Spanish.

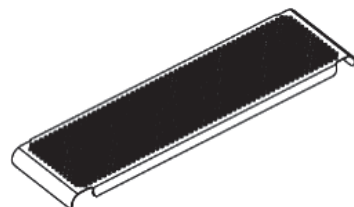
## Parts List



A. Side Frames (2 pcs)



B. Poles (4 pcs)



C. Leveling feet (4 pcs)



D. Screws (8 pcs)



E. Panels (10 pcs)



F. Allen Wrench (1 pc)

## **WARNING**

- Maximum weight capacity per panel is 4 lbs evenly distributed.
- Do not sit on the unit.
- Do not drop heavy items on the unit.
- Place heavier items on the lower shelf and lighter ones on the top shelf.
- Do not move the unit while loaded.

Please visit **[sevilleclassics.com](http://sevilleclassics.com)** to shop our wide range of products.

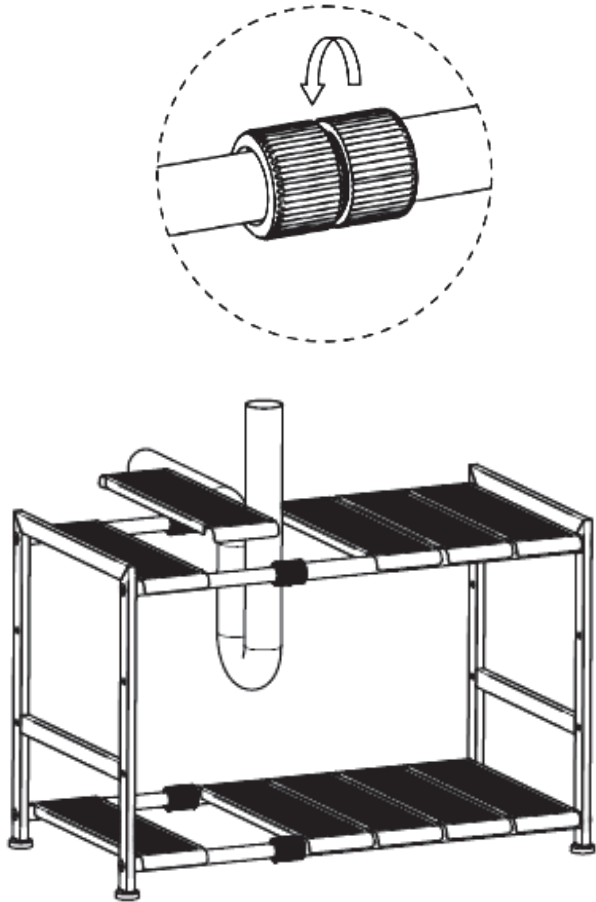


### **Note:**

Please be considerate of the environment and recycle the brown box the item was delivered in along with all applicable packaging materials. Thank you.

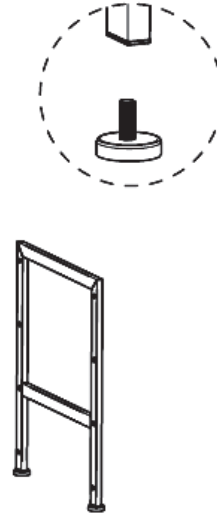
## STEP 6.

Expand the unit to the desired width and tighten the connectors. Then snap **PANELS (E)** onto **POLES (B)**.



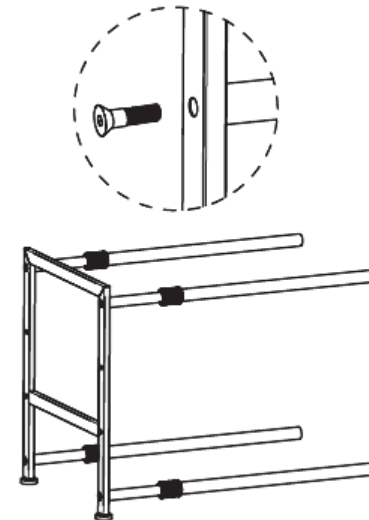
## STEP 1.

Screw **LEVELING FEET (C)** into the bottoms of each **SIDE FRAME (A)**.



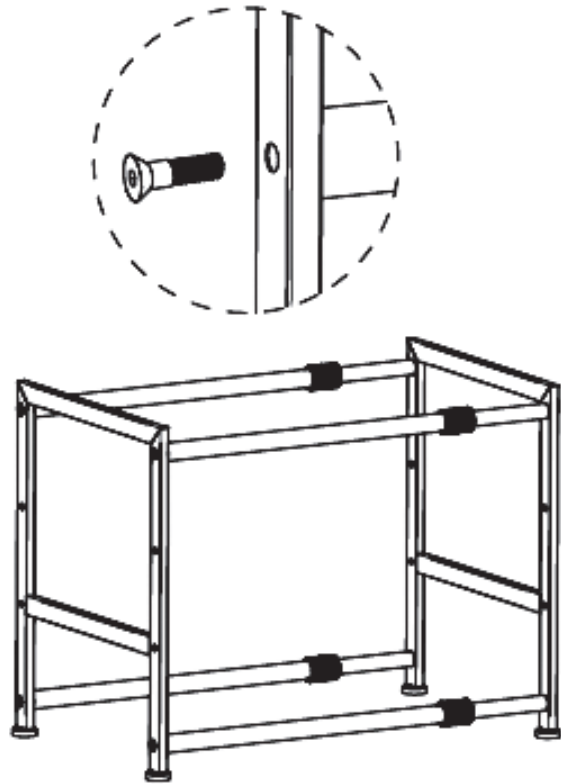
## STEP 2.

Use **SCREWS (D)** and **ALLEN WRENCH (F)** to fasten **POLES (B)** to a **SIDE FRAME (A)**.



### STEP 3.

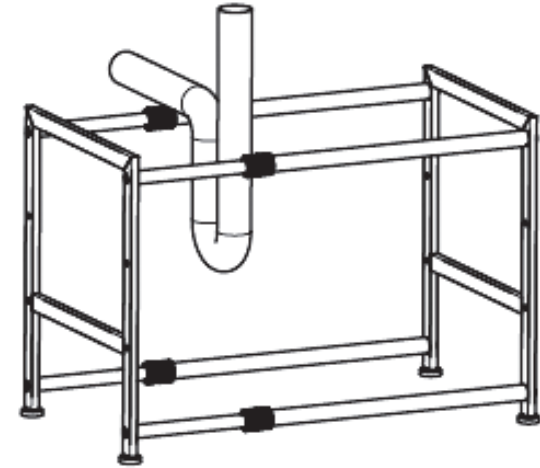
Repeat **STEP 2** to fasten the other **SIDE FRAME (A)**.



### STEP 4.

Tilt the unit into the cabinet and position it under the piping.

**Tip:** The height of the poles can be adjusted to fit the piping.



### STEP 5.

Or, if necessary, assemble the back poles behind the piping.

