

LEFTON

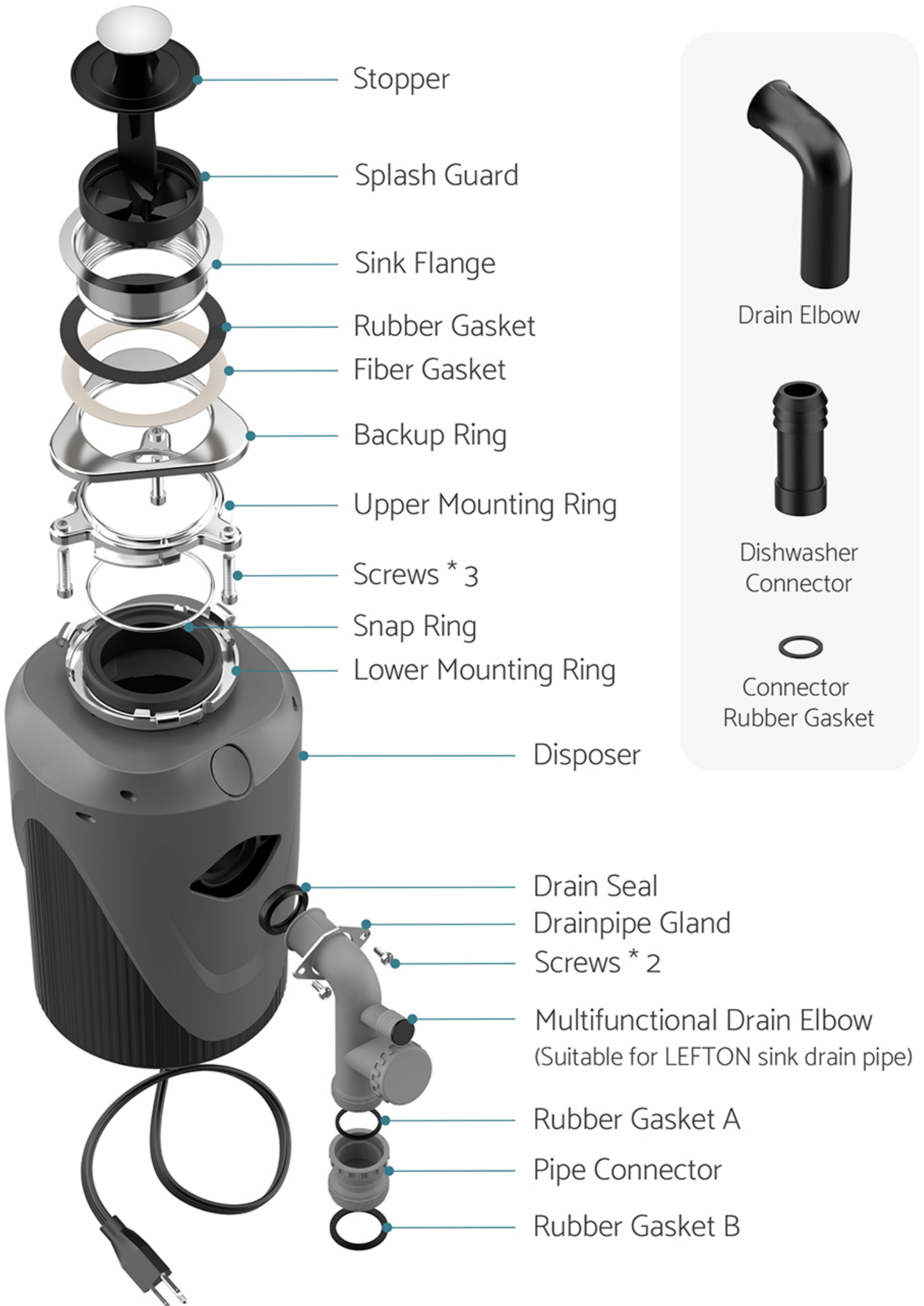
Installation Manual

LGD-1010



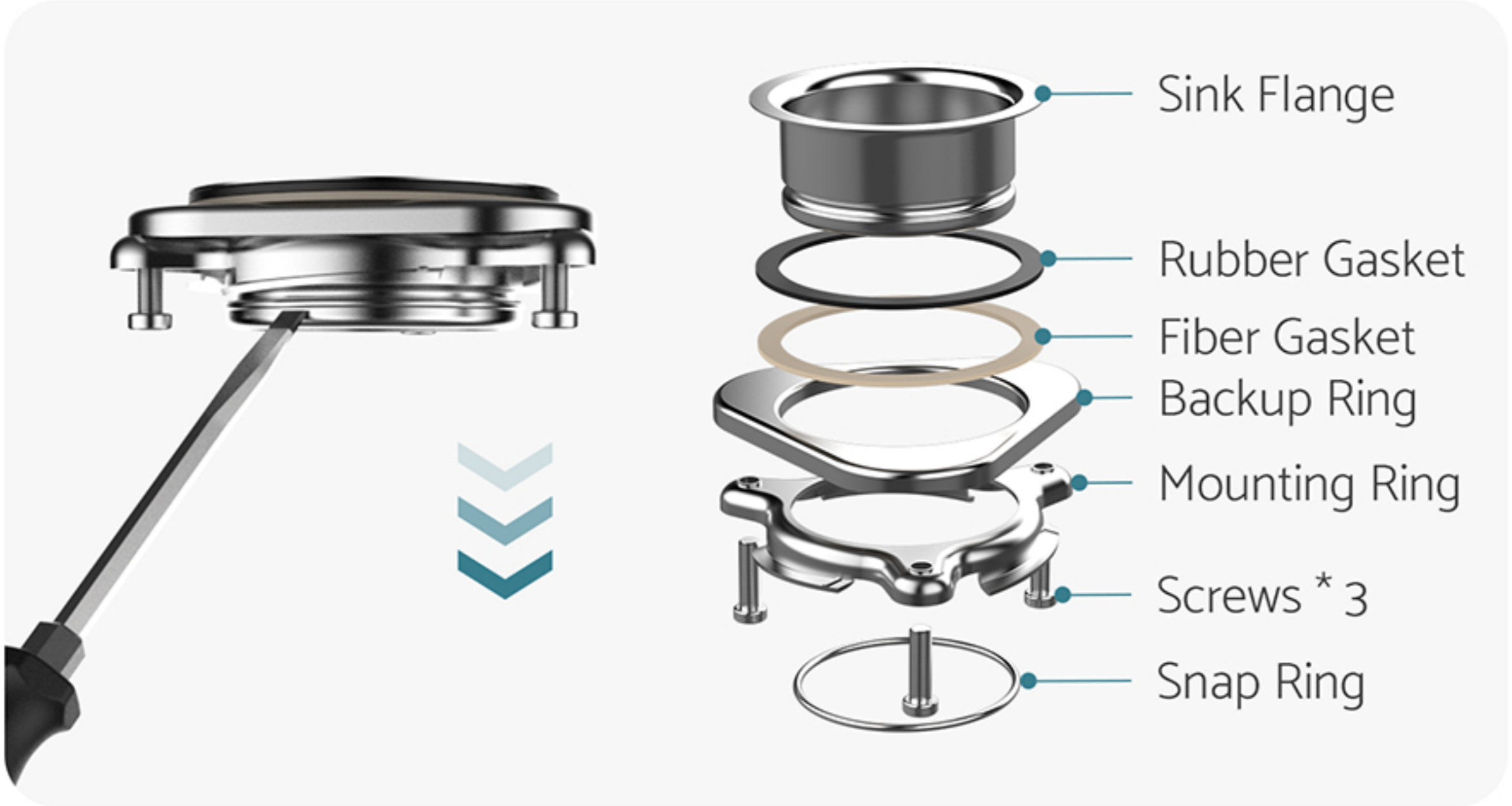
1HP Continuous Garbage Disposal

Diagram and Parts List



STEP 1: DISASSEMBLE THE MOUNTING ASSEMBLY

Use a flathead screwdriver to remove the snap ring from the sink flange. Loosen the mounting screws and remove the upper mounting ring, backup ring and fiber gasket from the sink flange.



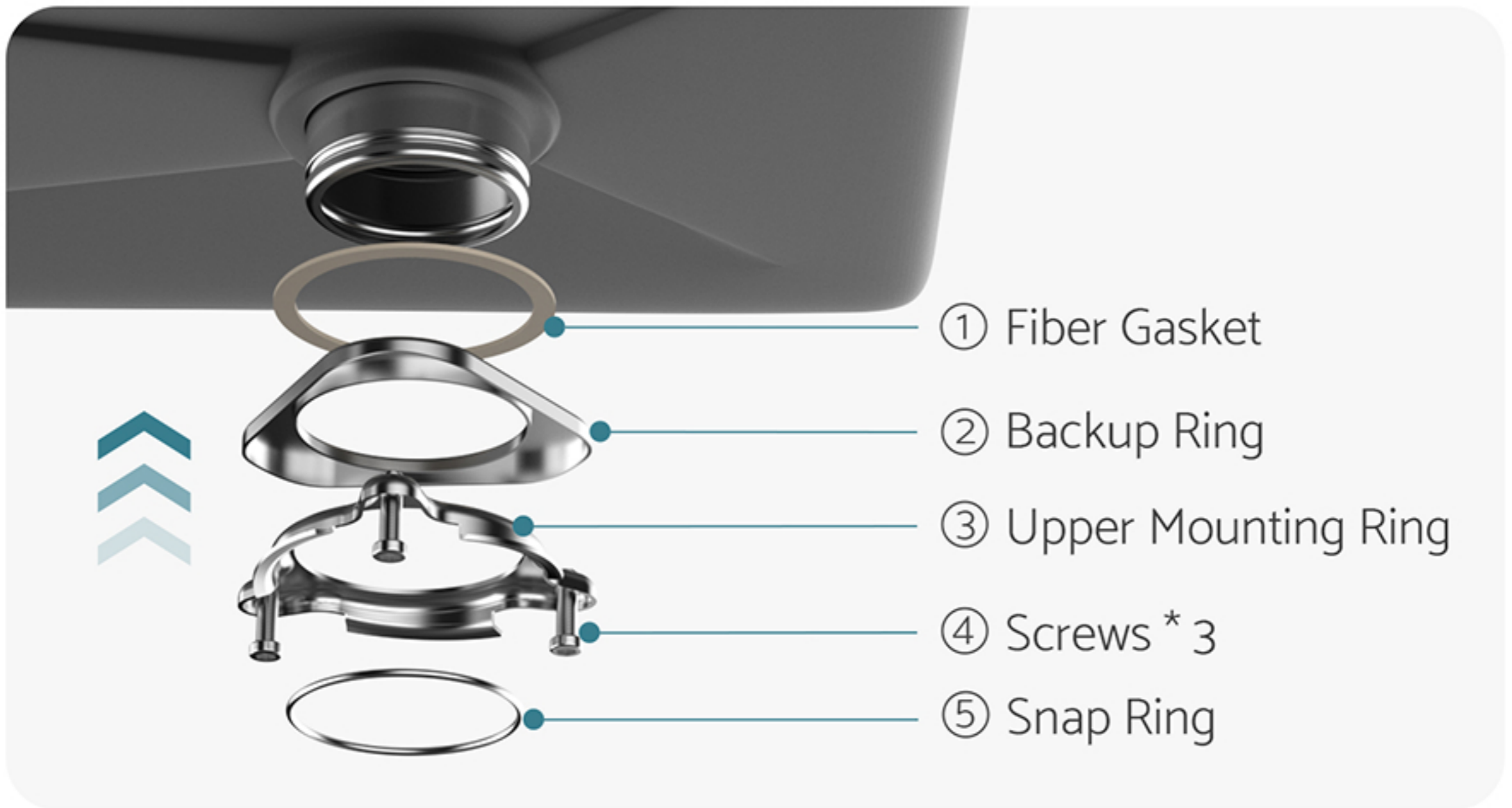
STEP 2: INSTALL THE SINK FLANGE

Put the sink flange and rubber gasket into the center of the sink drain. Push the sink flange down firmly to make a good seal.



STEP 3: ATTACH THE UPPER MOUNTING ASSEMBLY

Place the fiber gasket, backup ring, and upper mounting ring onto the sink flange in this order. Hold in place while inserting the snap ring. Pull the snap ring open and press firmly.



STEP 4: LOCK THE UPPER MOUNTING RING

Tighten mounting screws evenly and firmly against the backup ring with the included hex wrench.



STEP 5: DISHWASHER CONNECTION (IF REQUIRED)

If you are utilizing a dishwasher, complete the following procedure. If you do not need to connect it, move to the next step.

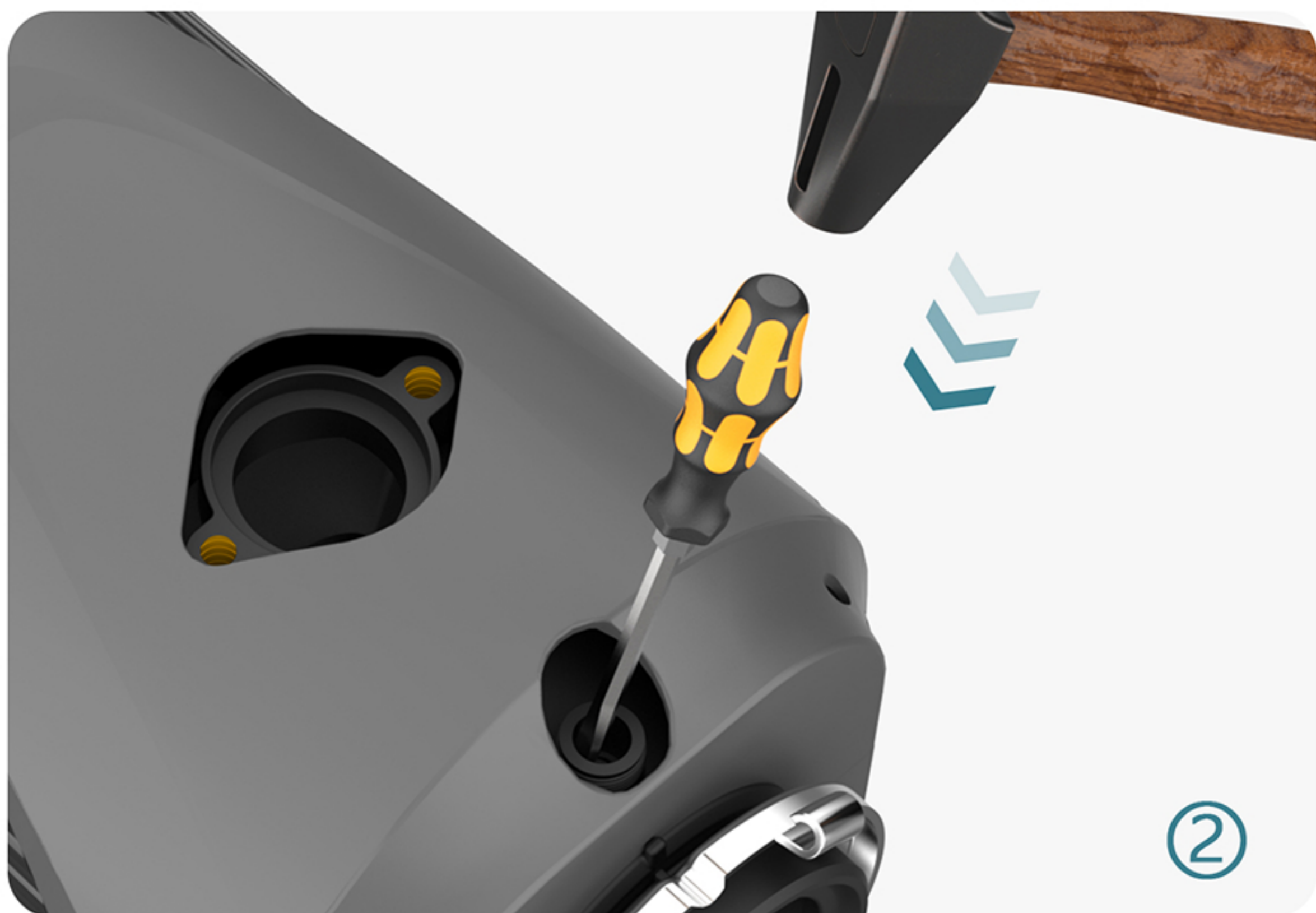
- A. Use a hammer and screwdriver to remove the hole cover and knock out the plug inside.

! **Caution:** Once the plug is removed, it cannot be replaced.

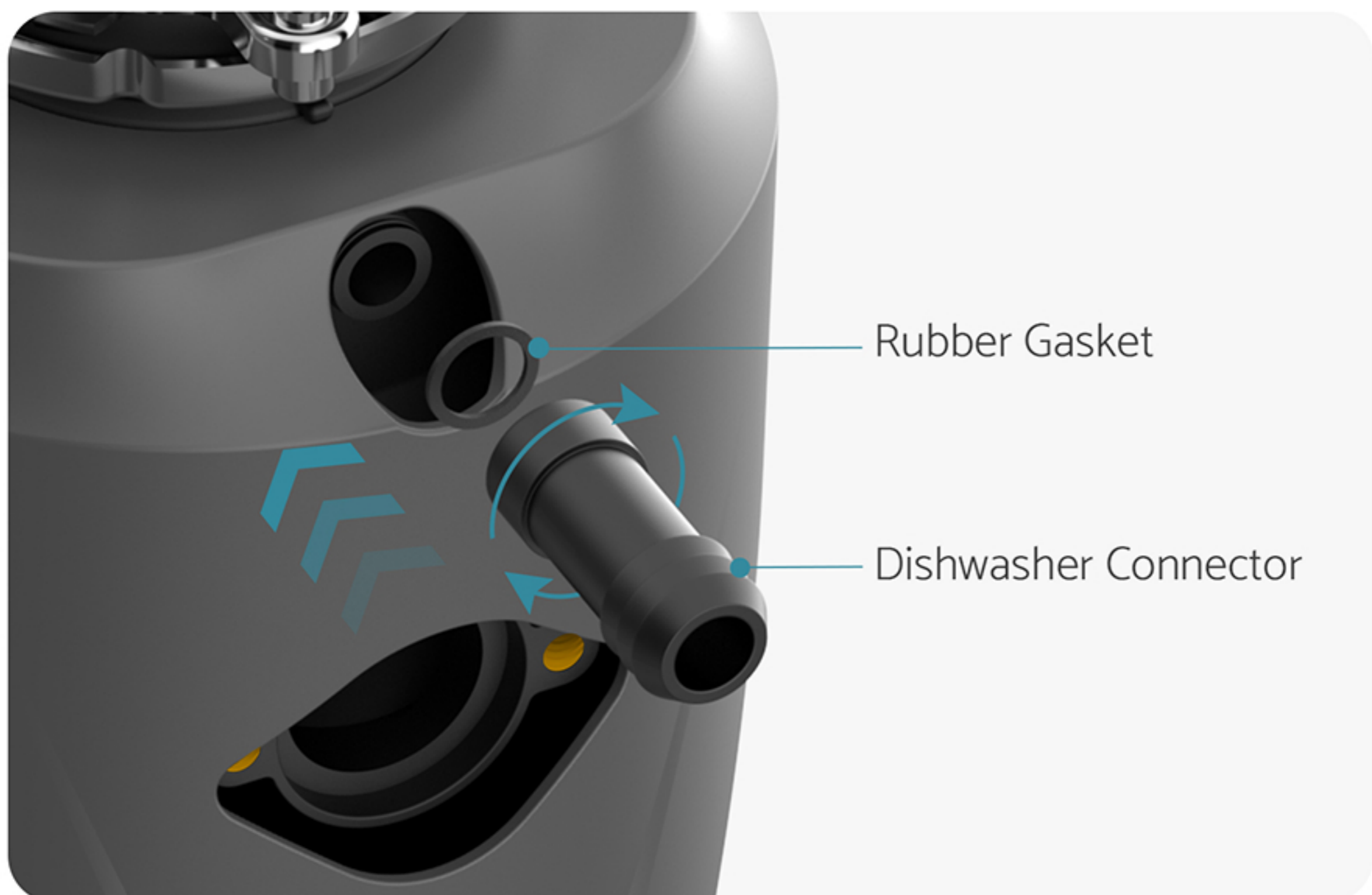
! **Caution:** If the dishwasher is connected without removing the plug, it may overflow. (Connections must comply with local plumbing codes.)



①



B. Place the Rubber Gasket into the connector and install the connector into the dishwasher inlet.



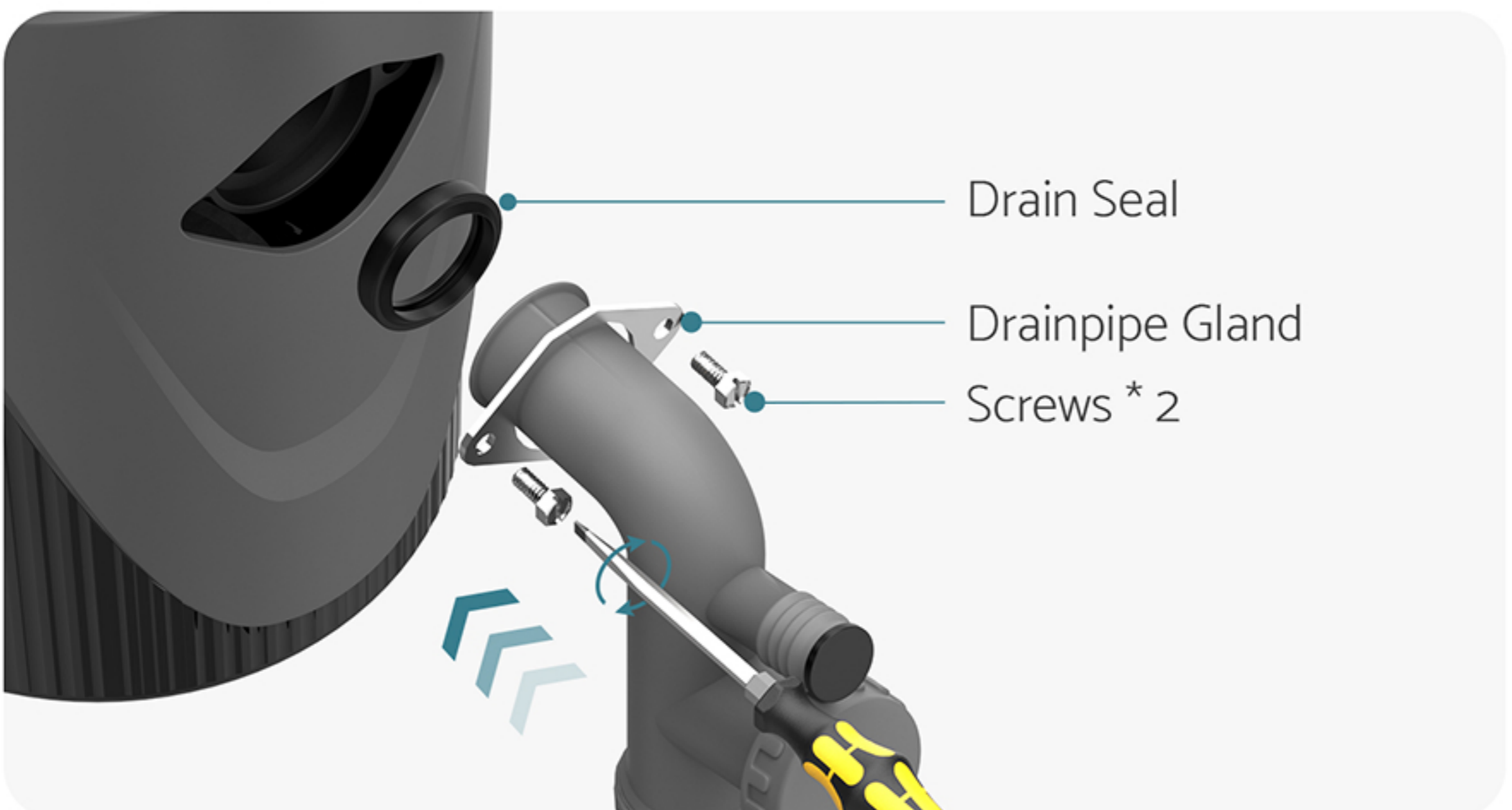
STEP 6: CONNECT DISPOSER TO SINK FLANGE

Lift the disposer and connect it to the mounting assembly. Use the screwdriver to turn the disposer onto the buckle of the mounting ring to fix it tightly.



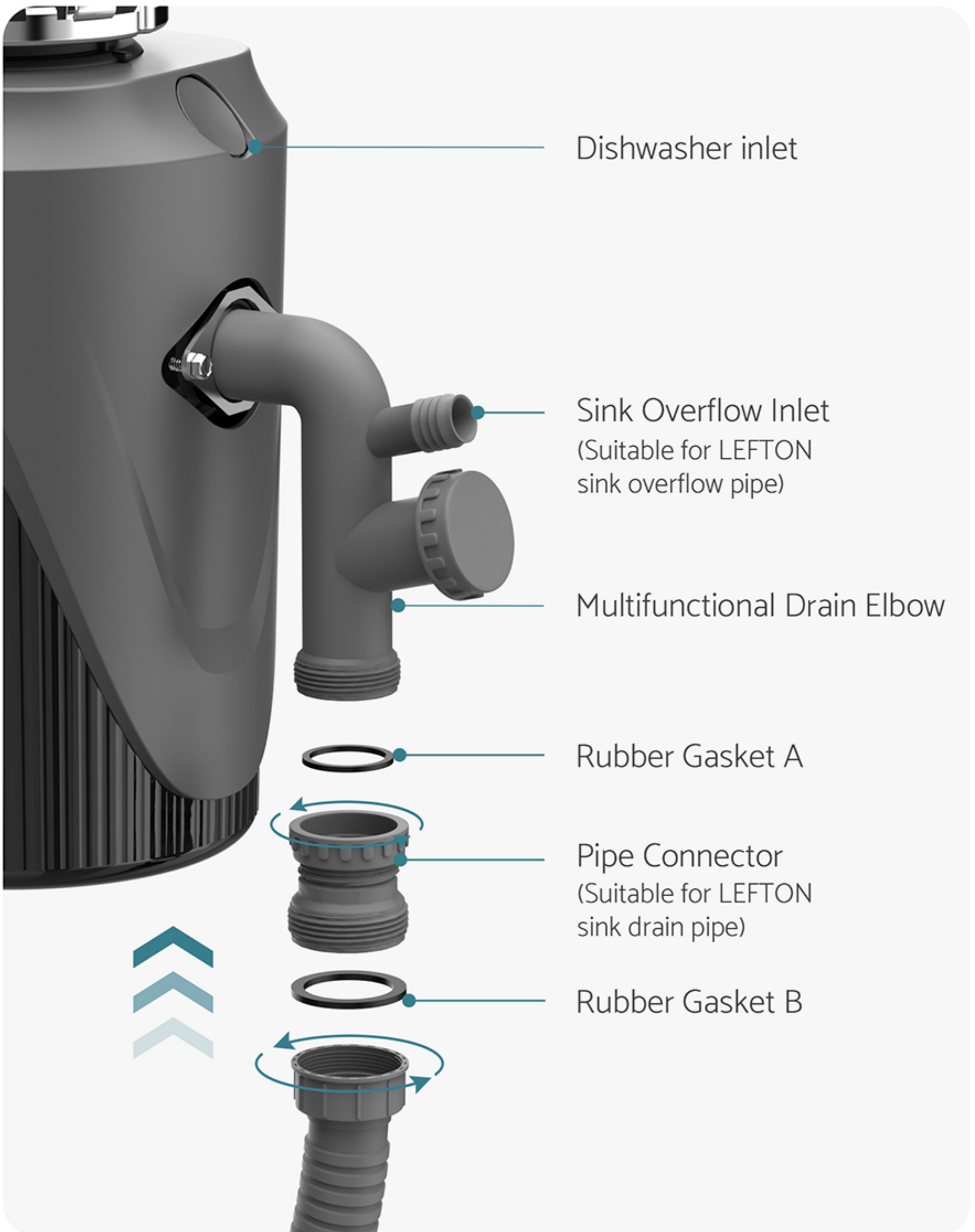
STEP 7: CONNECT MULTIFUNCTIONAL DRAIN ELBOW

Place the drainpipe gland over the drain elbow. Attach the drain seal to the drain elbow and insert the elbow into the disposal discharger outlet. Secure the drainpipe gland with screws tightly.



STEP 8: CONNECT THE PIPE CONNECTOR

Attach the pipe connector with the drain elbow. If you have a dishwasher connected, you can install the water line to inlet access on the upper part of the disposer. Make sure all plumbing connections are tight and comply with local plumbing codes.



STEP 9: CHECK FOR LEAKS

Run water into the sink, then check for leaks.



WARNING

- To reduce the risk of injury, close supervision is required when an appliance is used near children.
- Do not put fingers or hands into a waste disposer.
- To avoid electrical shock, disconnect power before installing or serving the disposer.
- If you are not familiar with electric power, contact a qualified electrician to connect the disposer to the electrical circuit.
- If a three-prong earth (grounded) plug is used, the plug must be inserted into the three-hole, earth(grounded)receptacle.
- Improper connection of equipment earth(grounded) conductor can result in electric shock.
- Do not attach earth wire (ground wire) to the gas supply pipe.
- All wiring must comply with local electrical codes.
- Do not reconnect the electrical current at the main service panel until proper earth (grounded) outlets are installed.
- If the supply cord is damaged, it must be replaced by the manufacturer, service agent, or similarly qualified person to avoid a hazard.