

ASSEMBLY INSTRUCTION

IMPORTANT NOTE : * PLACE ALL WOODEN PARTS ON A CLEAN AND SMOOTH SURFACE SUCH AS A RUG OR CARPET TO AVOID THE PARTS FROM BEING SCRATCHED.
 * BEFORE YOU BEGIN, KINDLY FOLLOW THE ASSEMBLY INSTRUCTIONS STEP BY STEP.
 * DO NOT TIGHTEN ALL SCREWS UNTIL THE CHAIR IS FULLY SET-UP.

LIST OF PARTS

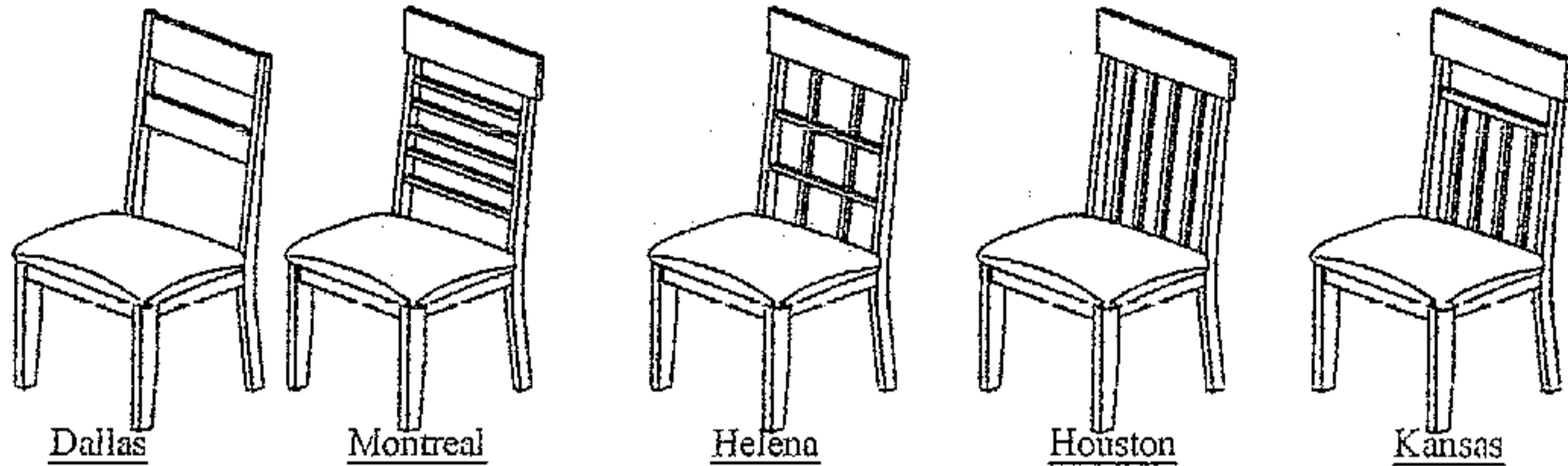
No	Description	Qty
1	Chair Back	2
2	Front Leg	2
3	Apron	4
4	Cushion Seat	2

LIST OF PARTS

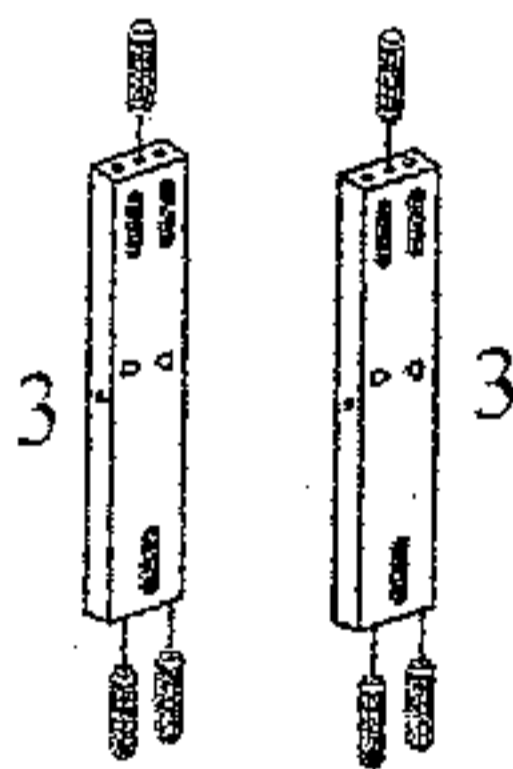
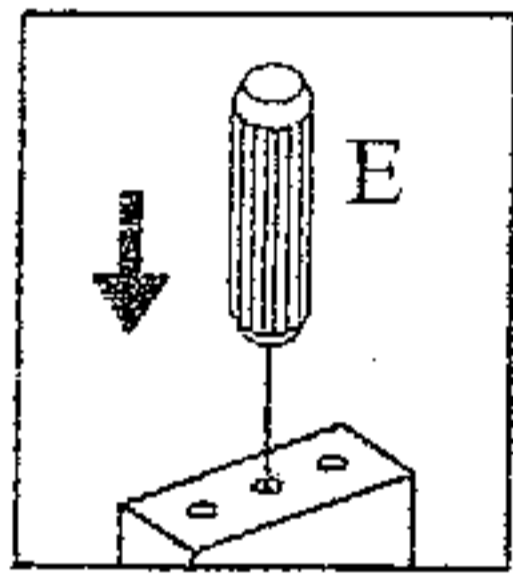
No	Description	Qty
A	JCBC	12
B	Spring Washer	12
C	Chipboard Screw (LONG)	6
D	Allen Key	1
E	Wood Dowel	12
F	Chipboard Screw (SHORT)	8
G	L-Bracket	4

WARNING

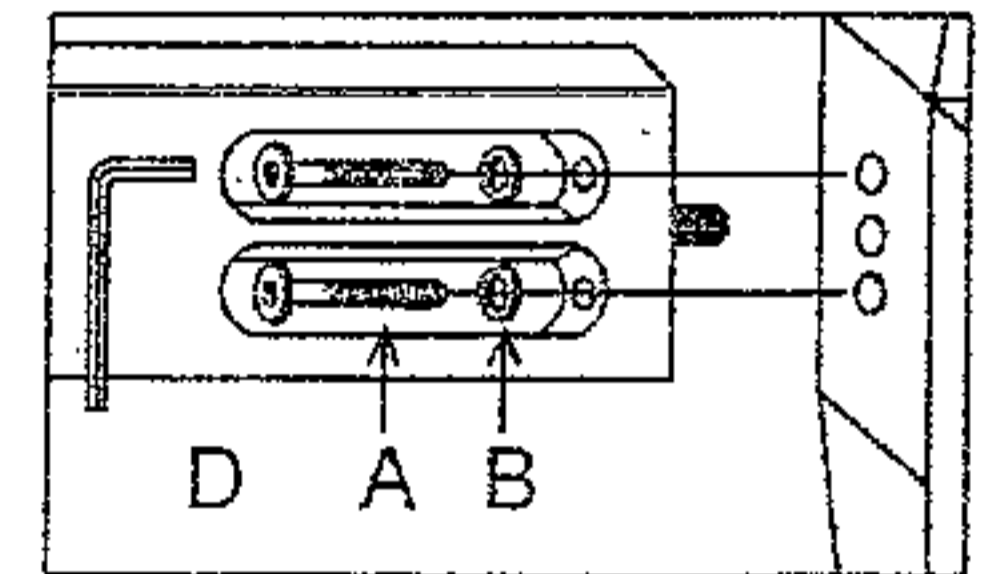
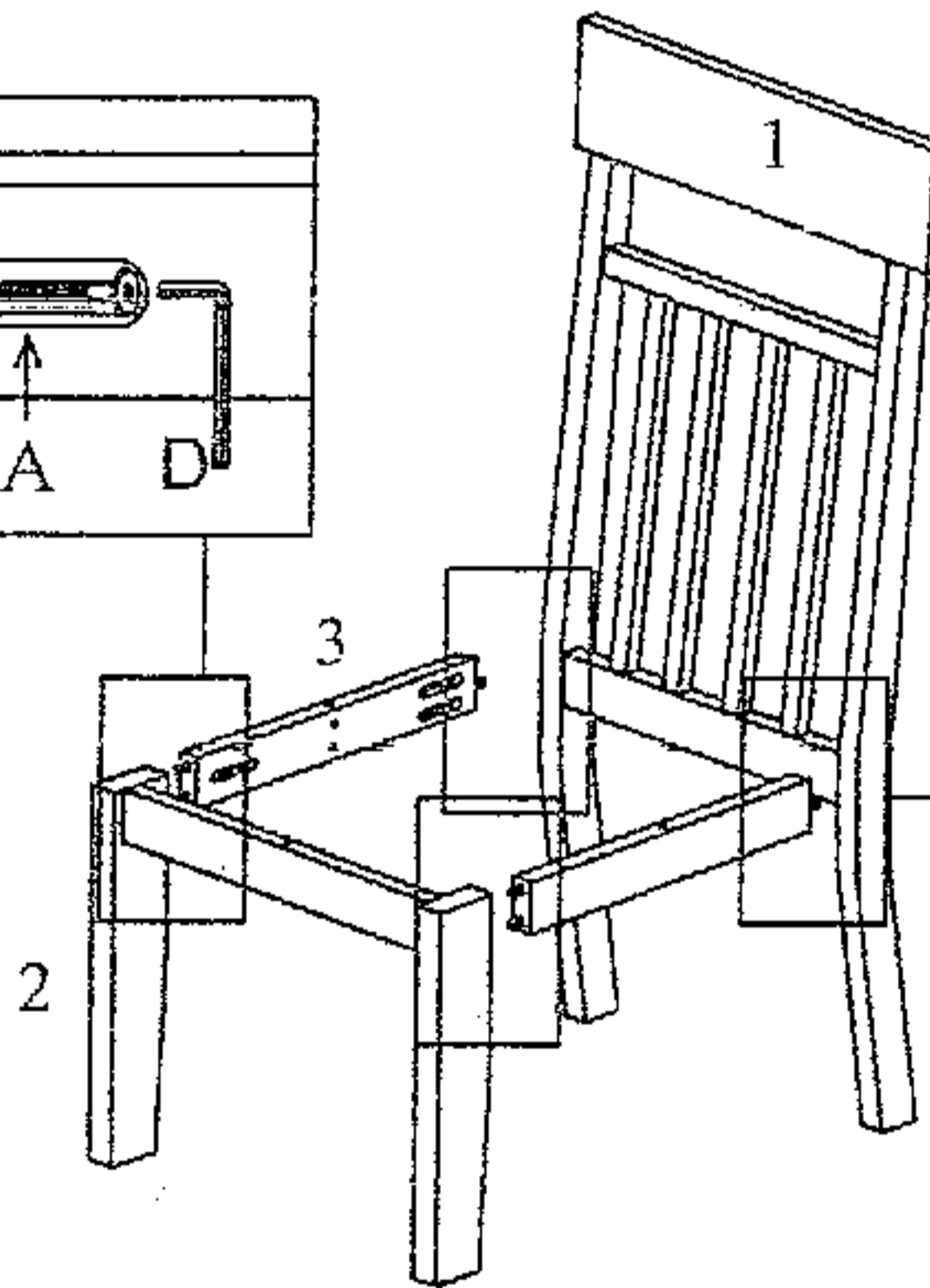
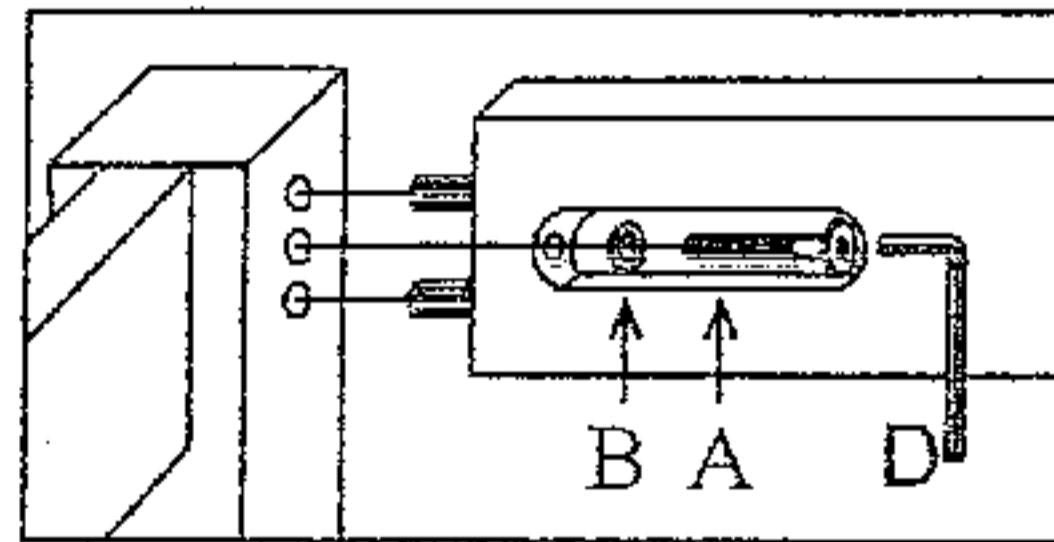
- This chair not suitable for standing on.
- Do not over tighten the bolts and screws.



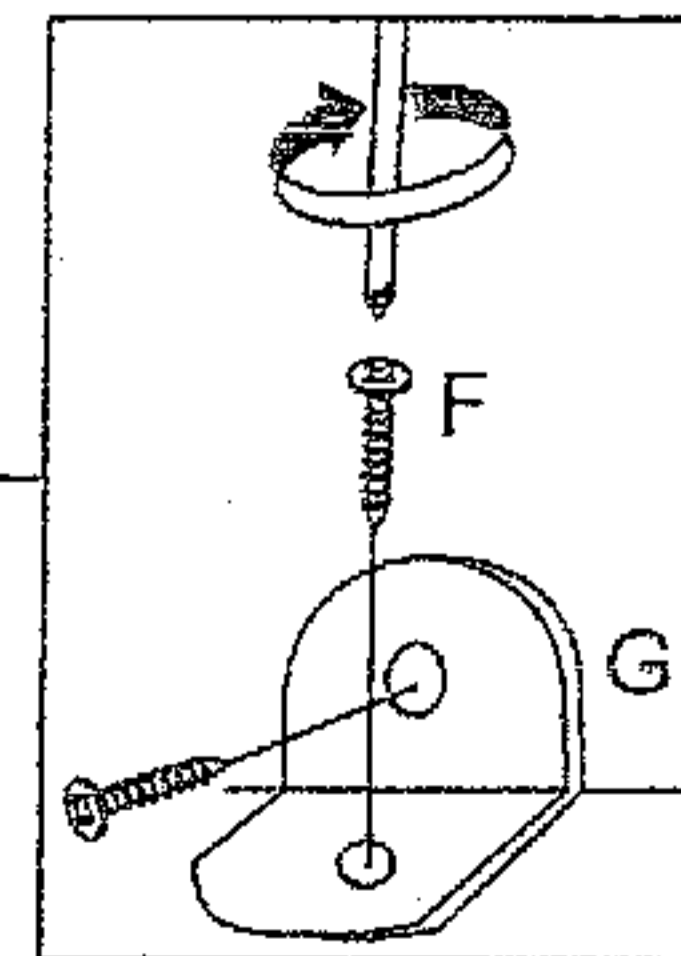
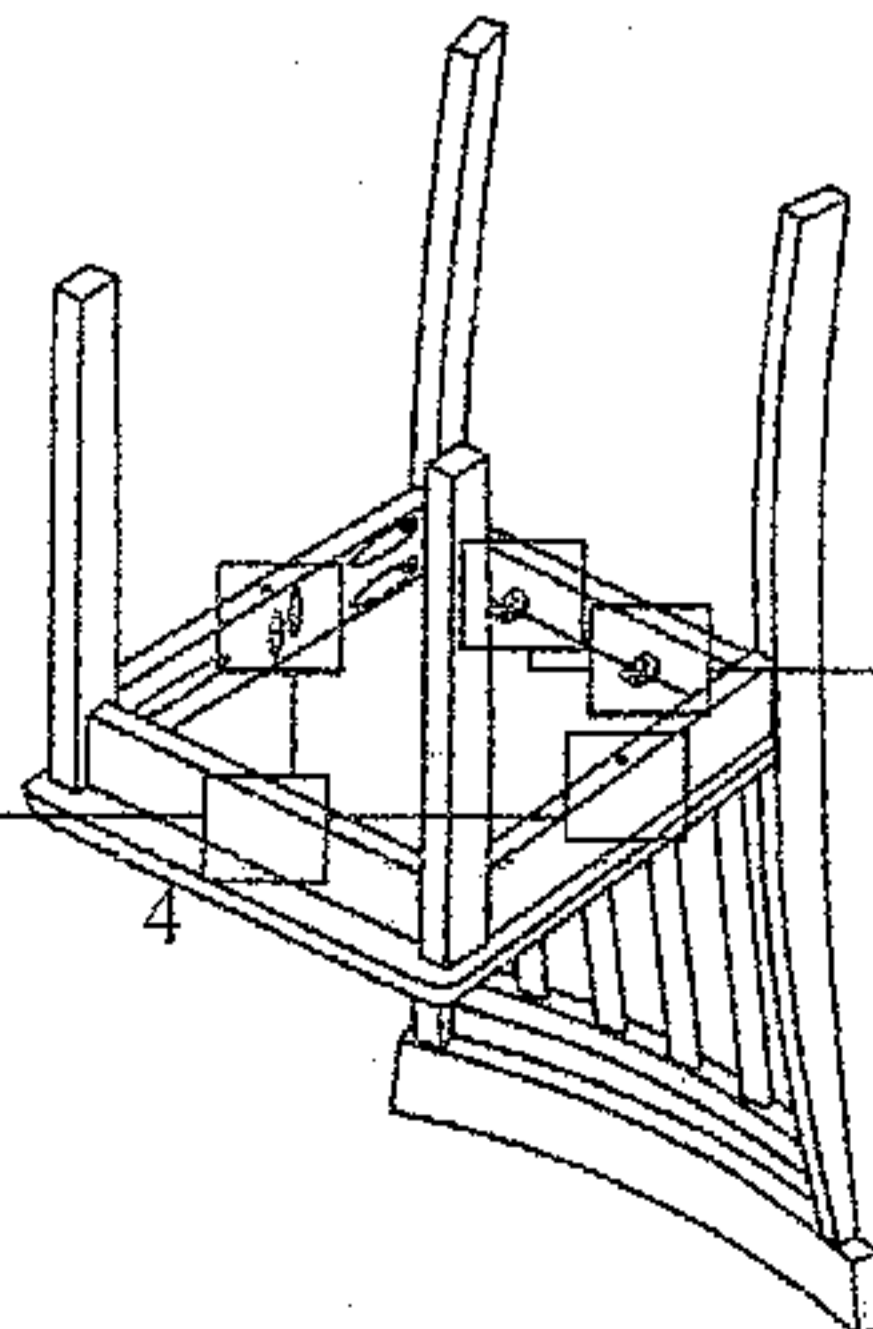
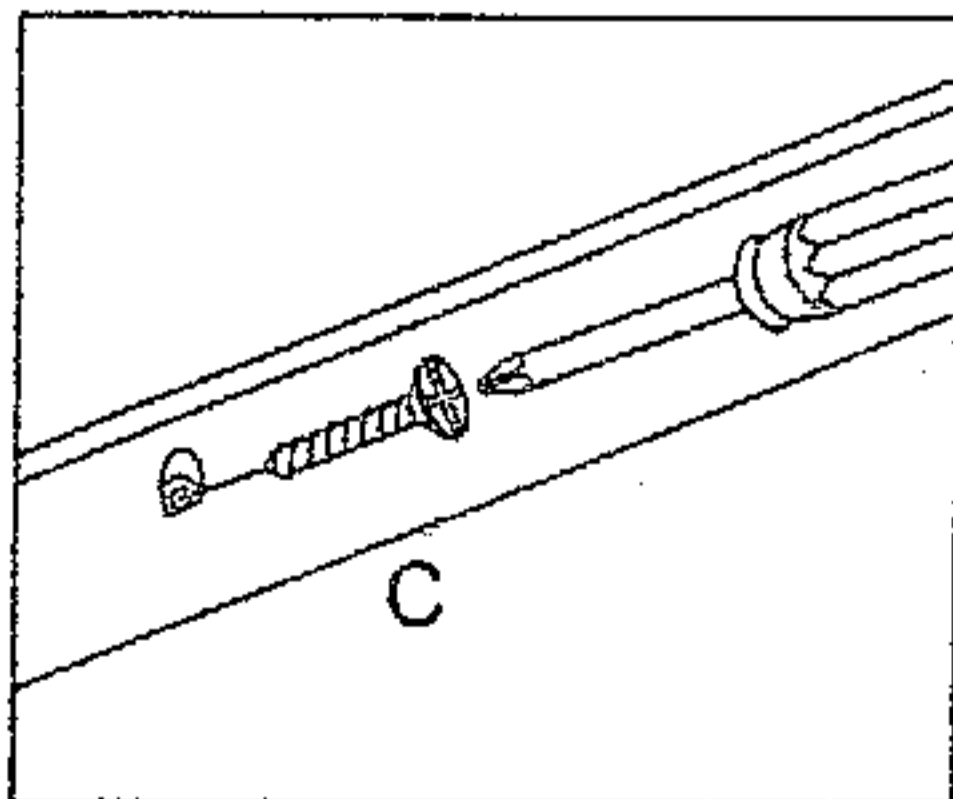
Step 1



Step 2



Step 3



Remark: PERIODICALLY RE-TIGHTEN ALL SCREWS.