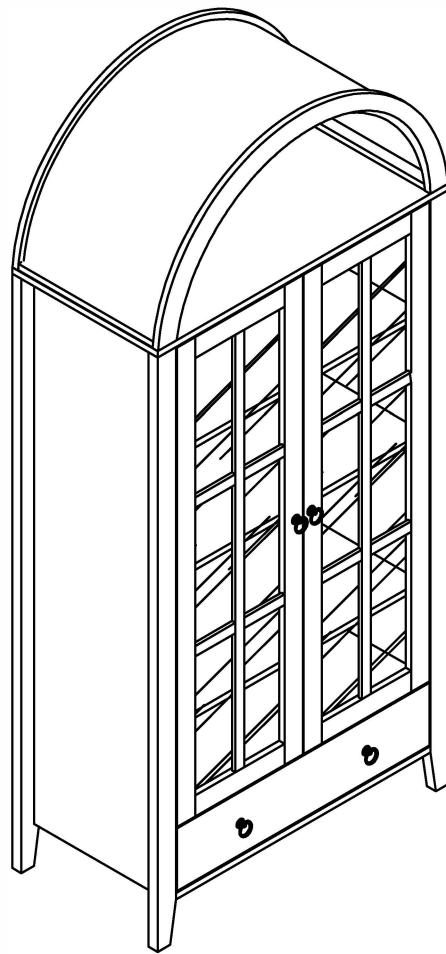


# Assembling Instruction

## Assembly Instructions

Generating Drawings



ATTENTION

If there is any missing, please kindly send us messages to let us know the name of missing part regarding to the first page of instructions.

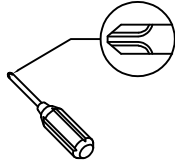
We will send replacement to you asap. We are concerned about each customer's experience, if there is any loss or damage, please contact us at any time, we will provide effective solutions.

Please attach your Oder ID so that we can assist you better.

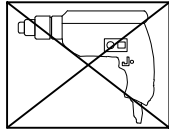


## General Assembly Guidelines

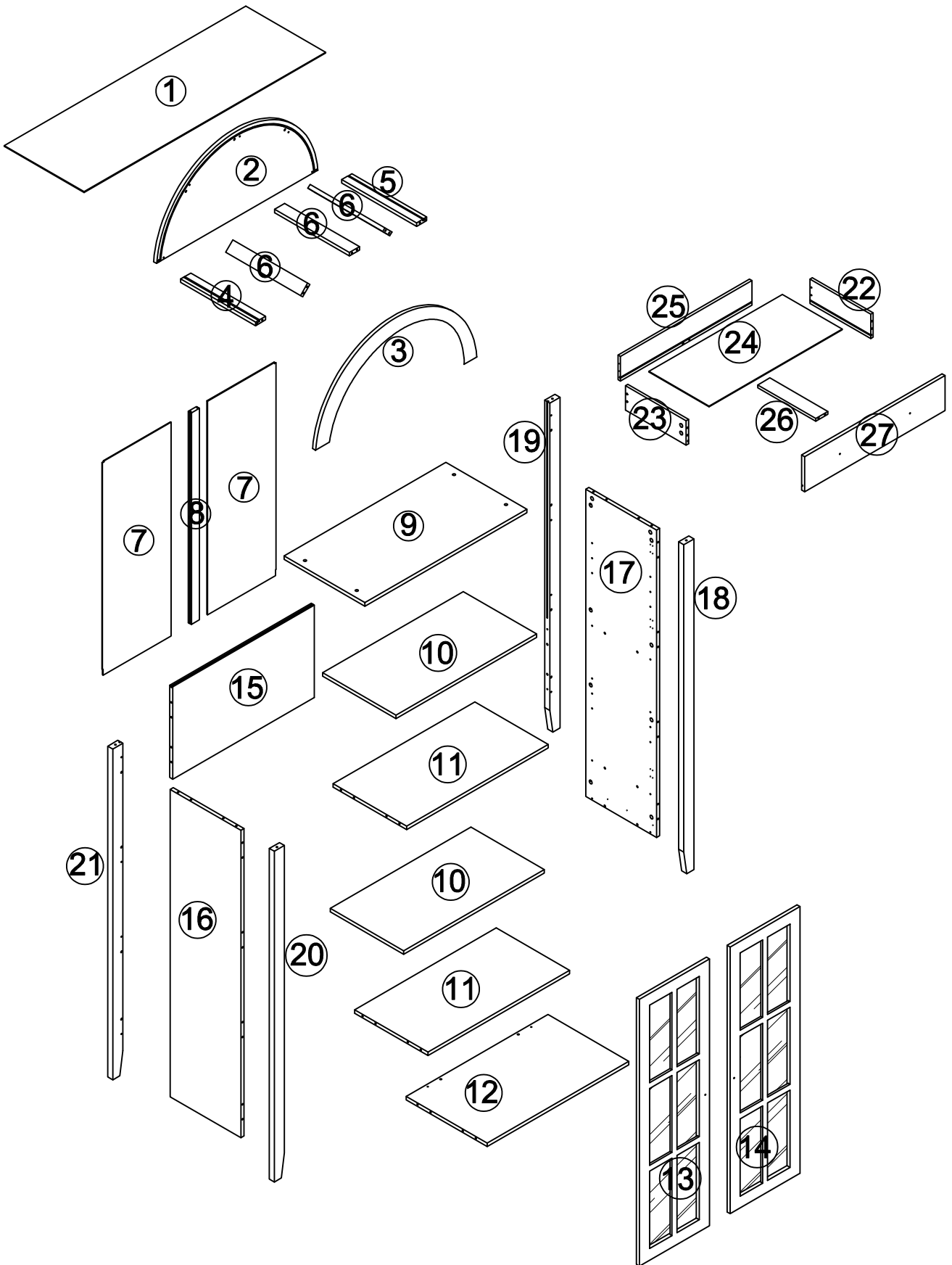
- I. Ensure that all parts and hardware are available before beginning assembly.
- II. Follow each step carefully to ensure the proper assembly of this product.
- III. Two people are recommended for ease in the assembly of this product.
- IV. The three main types of hardware used to assemble this product are : wood dowels , screws and bolts.
- VI. A Phillips head screwdriver is required for the assembly of this product .



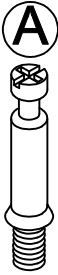
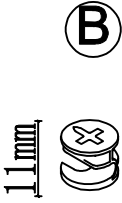







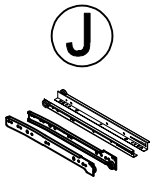






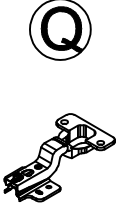

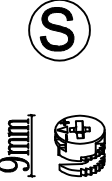

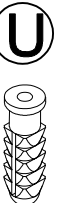

- VI. Power tools should not be used to assemble this product .

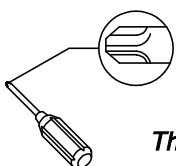


# Parts List



# HARDWARE PACK CONTENT

 <b>A</b> Ø6x35mm 52x+3	 <b>B</b> Ø15x11mm 47x+4	 <b>C</b> Ø6x25mm 2x	 <b>D</b> 1x	 <b>E</b> Ø5x13x26mm 8x+1	 <b>F</b> Ø3x17mm 12x+1	 <b>G</b> 12x+1
 <b>H</b> M6x20mm 4x+1	 <b>I</b> Ø3x12mm 12x+2	 <b>J</b> 1x	 <b>K</b> 4x	 <b>L</b> Ø4x32mm 2x	 <b>M</b> Ø4x22mm 4x+1	 <b>N</b> Ø30mm 52+3
 <b>O</b> Ø8x30mm 53x+3	 <b>P</b> Ø3.5x12mm 36x+4	 <b>Q</b> 6x	 <b>R</b> Ø4x32mm 5x	 <b>S</b> Ø15x9mm 5x+1	 <b>T</b> 2x	 <b>U</b> 2x
 <b>V</b> Ø4x12mm 2x						

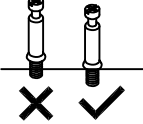
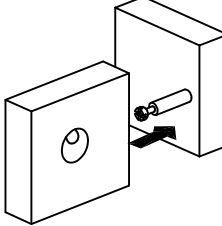
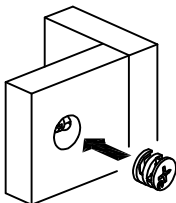
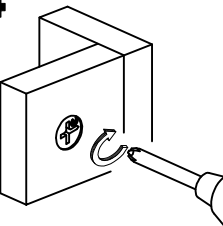


Philips head screwdriver required for assembly  
(not included)

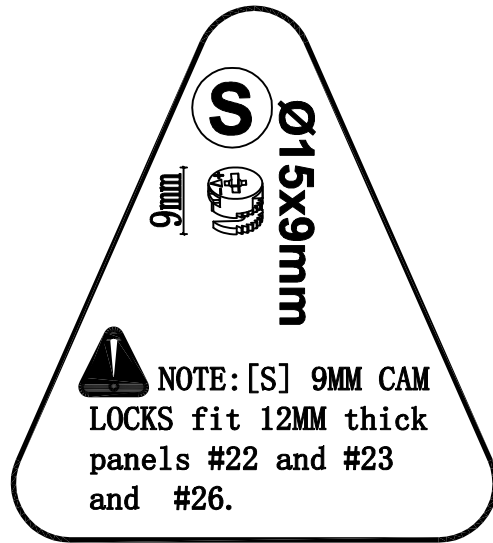
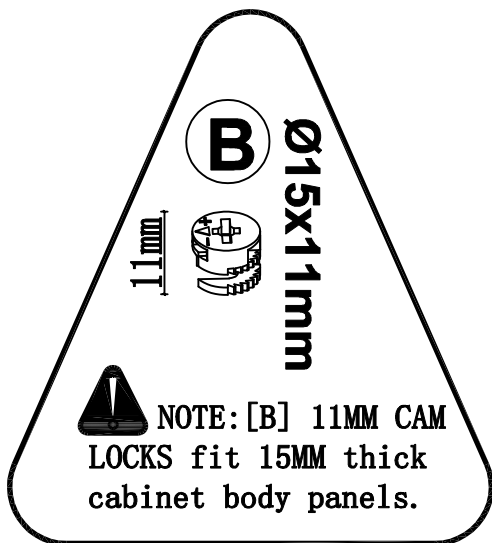
*The hardware quantities listed above are required for proper assembly.  
Some extra hardware may also have been included.*

# CAM LOCK/BOLT FASTENING INTRODUCTION

(You will use it during assembly)

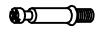
<p><b>1</b></p> 	<p><b>2</b></p> 	<p><b>3</b></p> 	<p><b>4</b></p> 
<p><b>1.</b>Screw cam bolt into the threaded anchor gently. (Attention:don't screw cam bolt too deep or too shallow.)</p>	<p><b>2.</b>Please connect the 2 boards you want connect by inserting cam bolt.</p>	<p><b>3.</b>Insert the cam lock into the round hole of the board. (Attention:point the arrow on the top of the cam lock to the outer edge.)</p>	<p><b>4.</b>Turn the cam lock clockwise until it is firmly tightened.</p>

Please use [B] and [S] CAM LOCKS as shown in the illustrations.

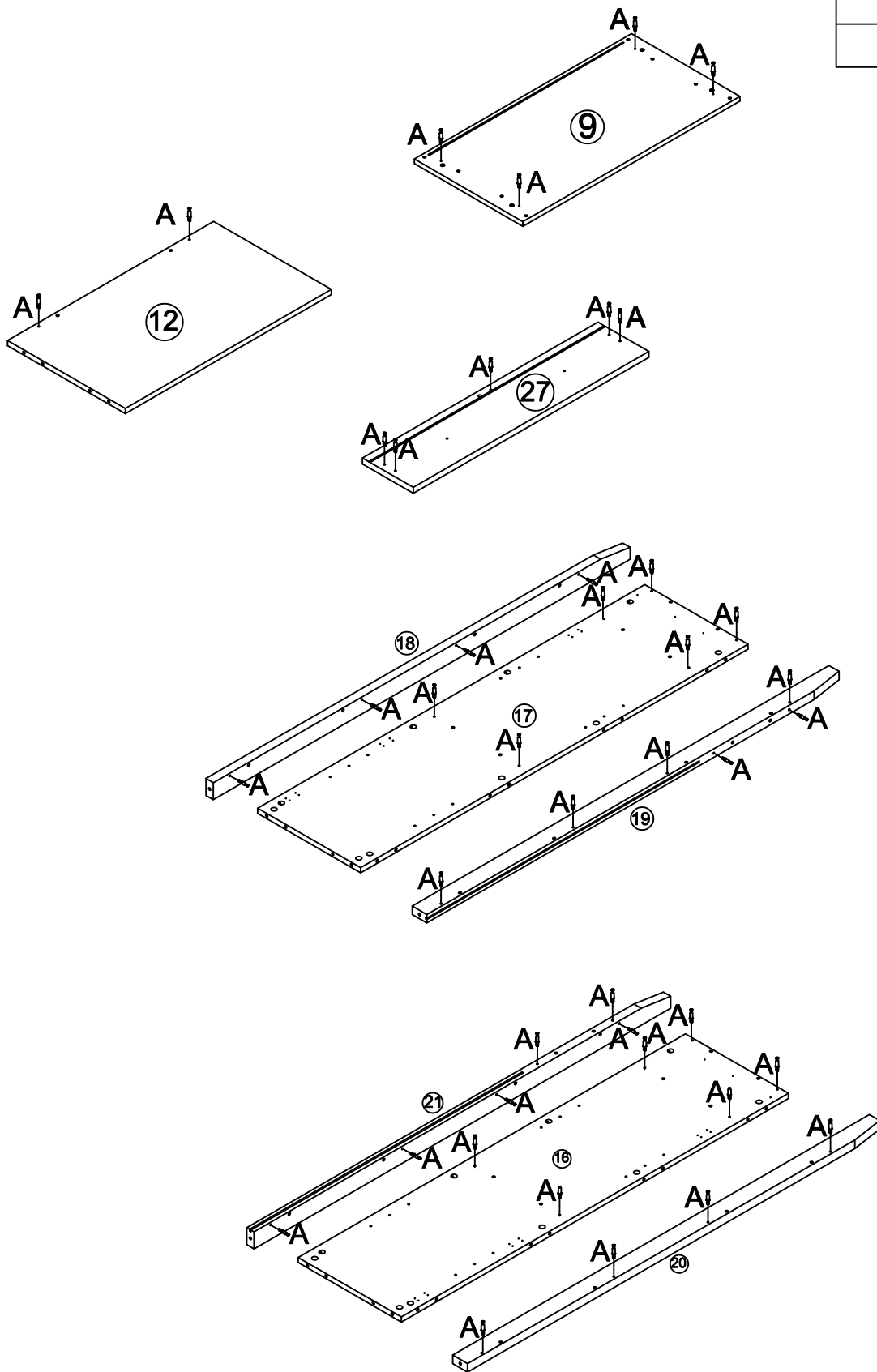


# Step 1

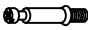
A

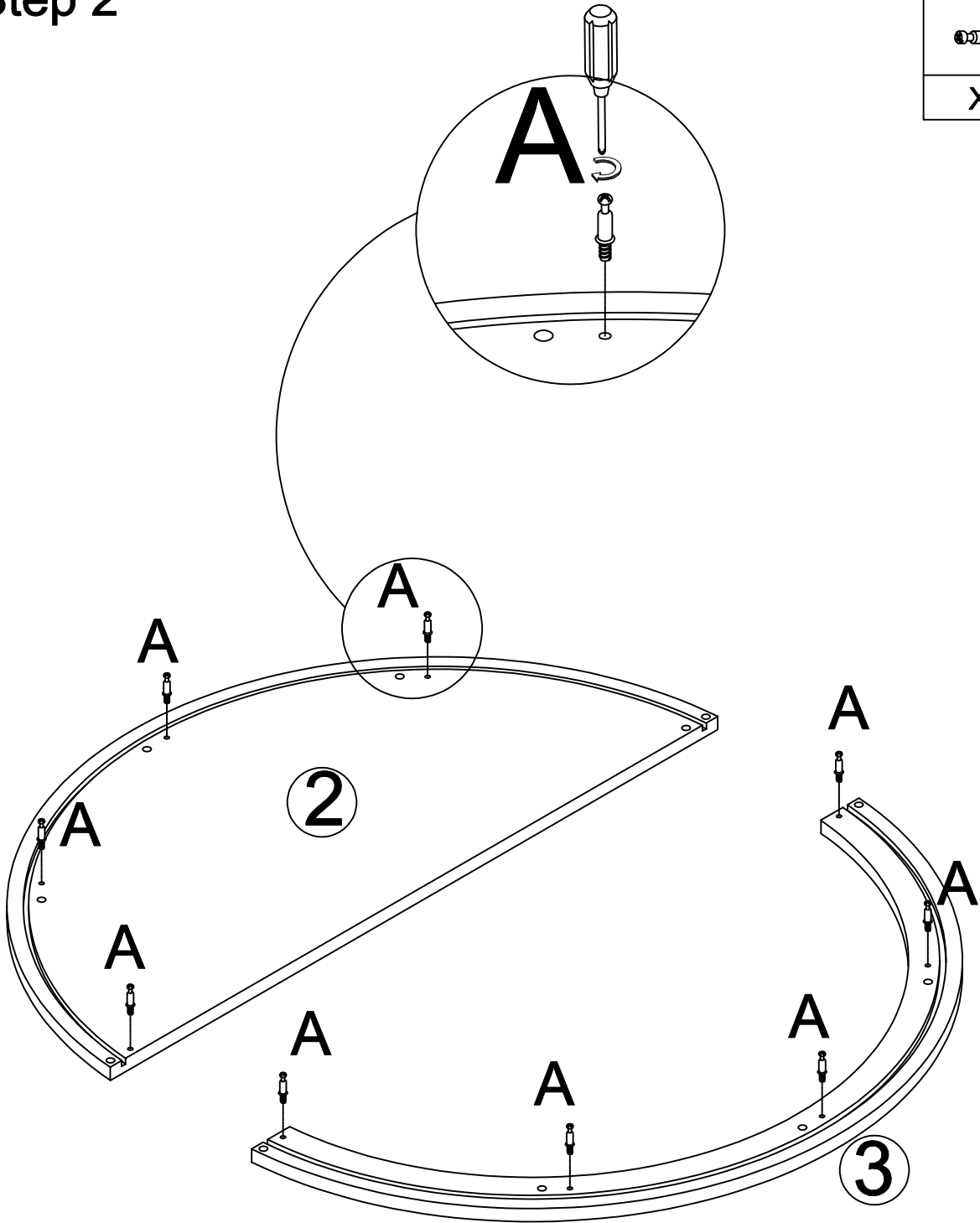


X43





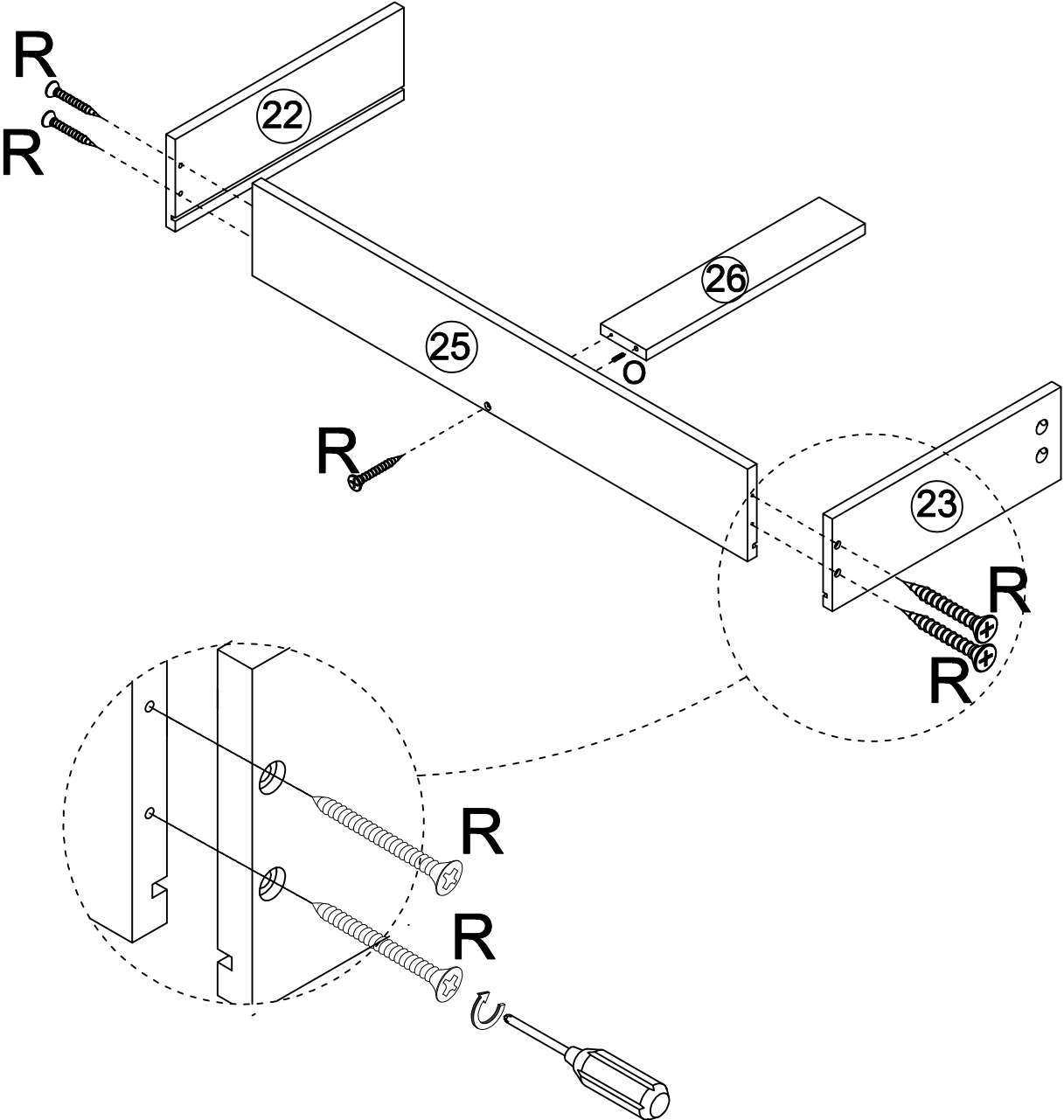
# Step 2

A

X9

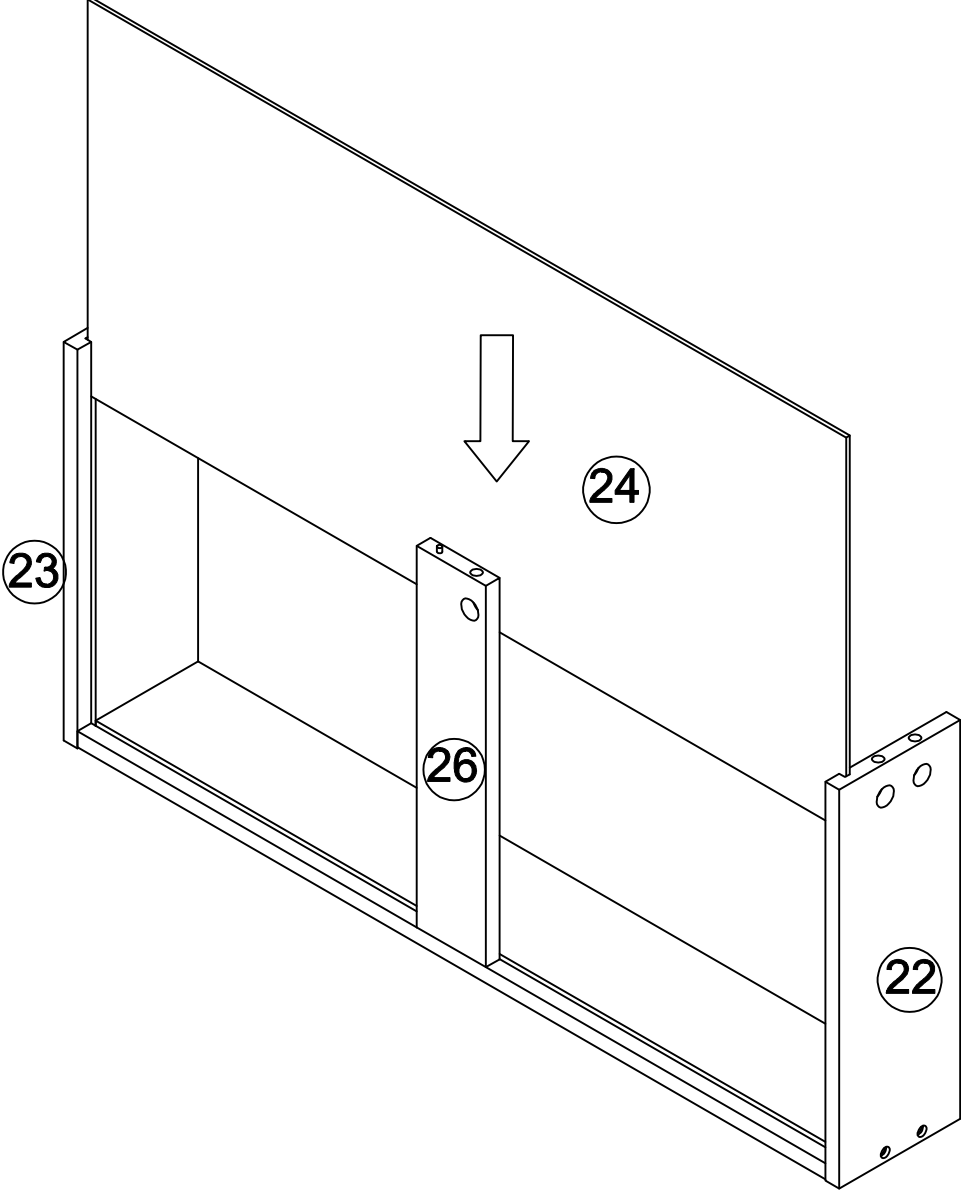


# Step 3


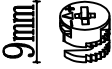
O	R
	
X1	X5



Step 4

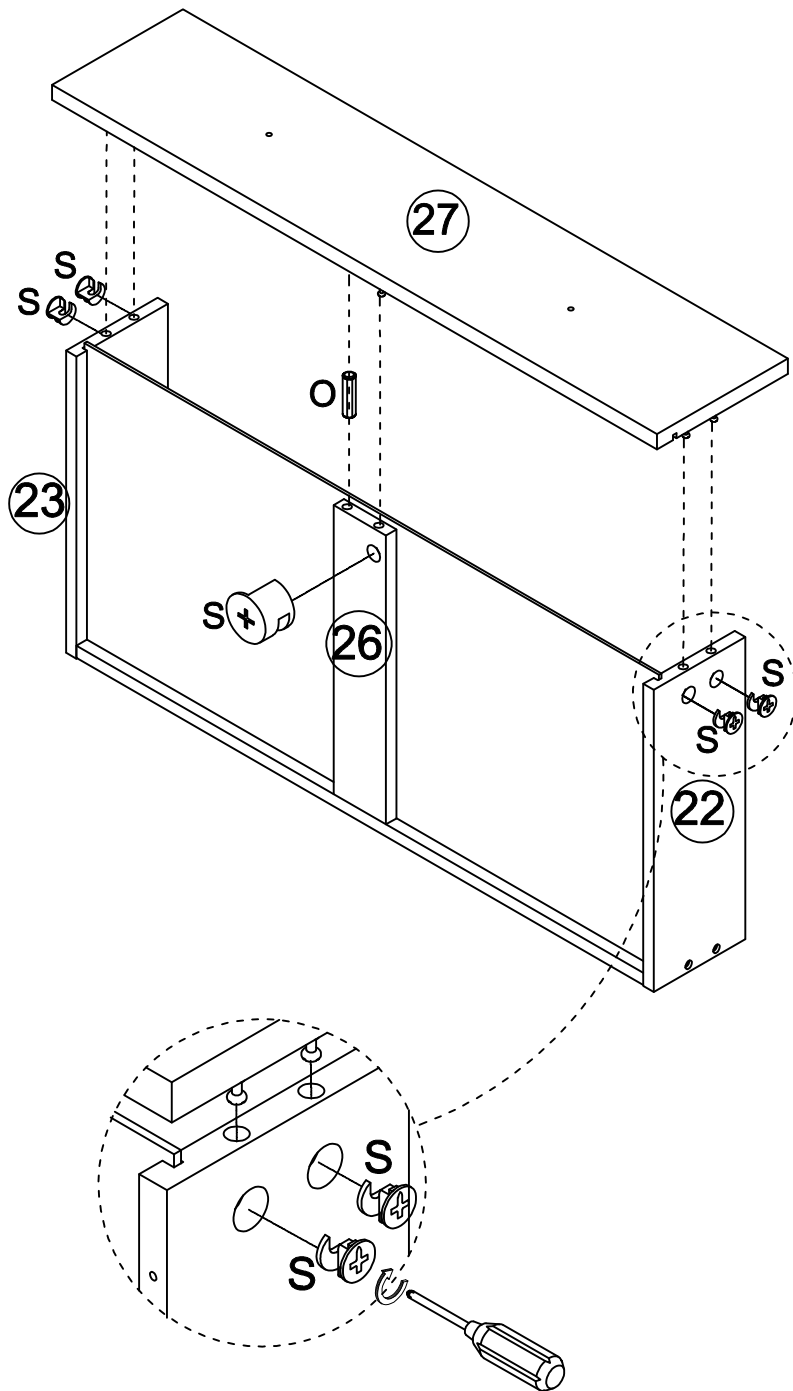


# Step 5


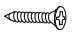
o	S
	
X1	X5



NOTE: Be sure to use [S] 9MM CAM LOCKS for the panels #22 and #23 and #26.



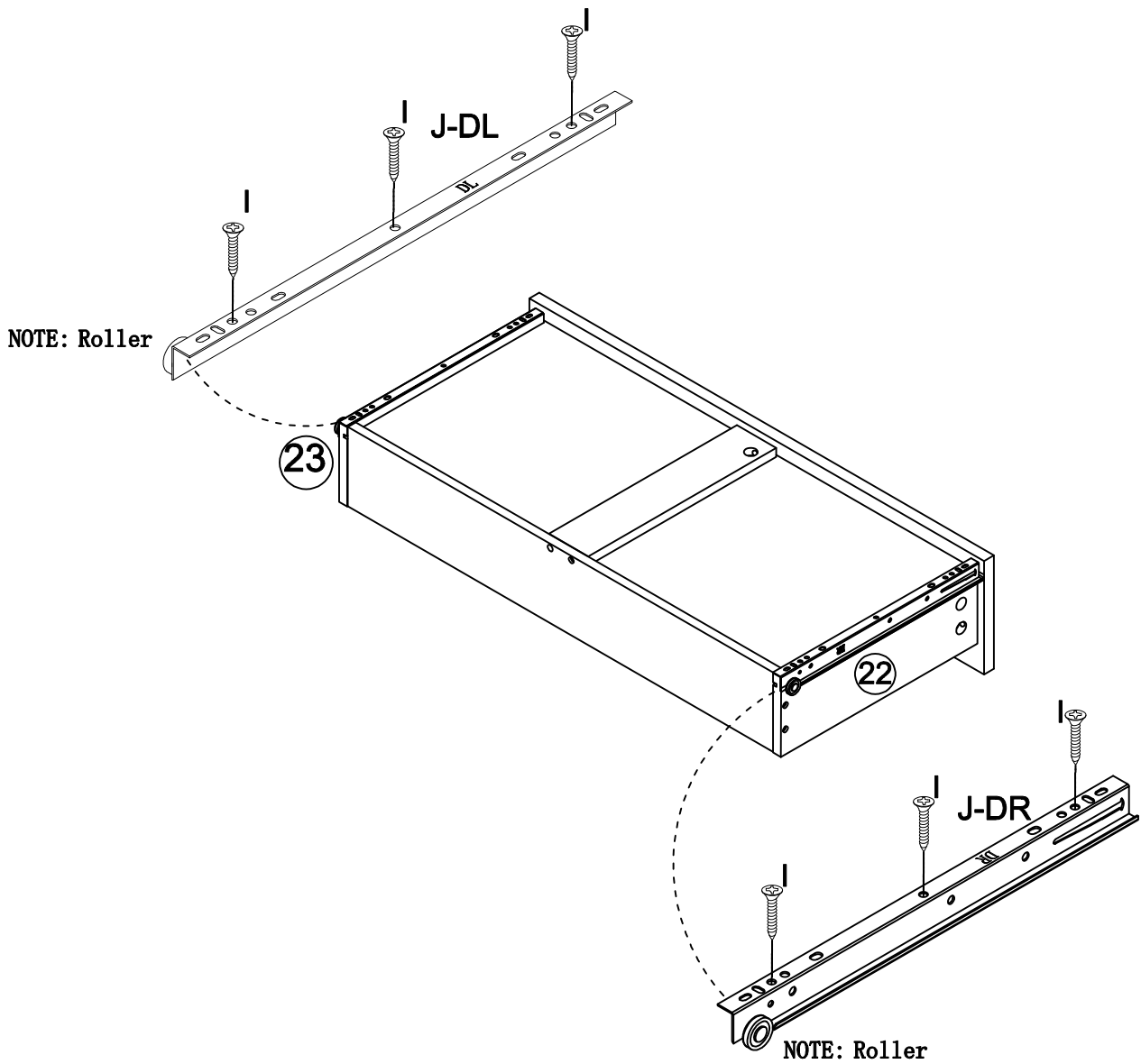
# Step 6

J	I
	
X1	X6





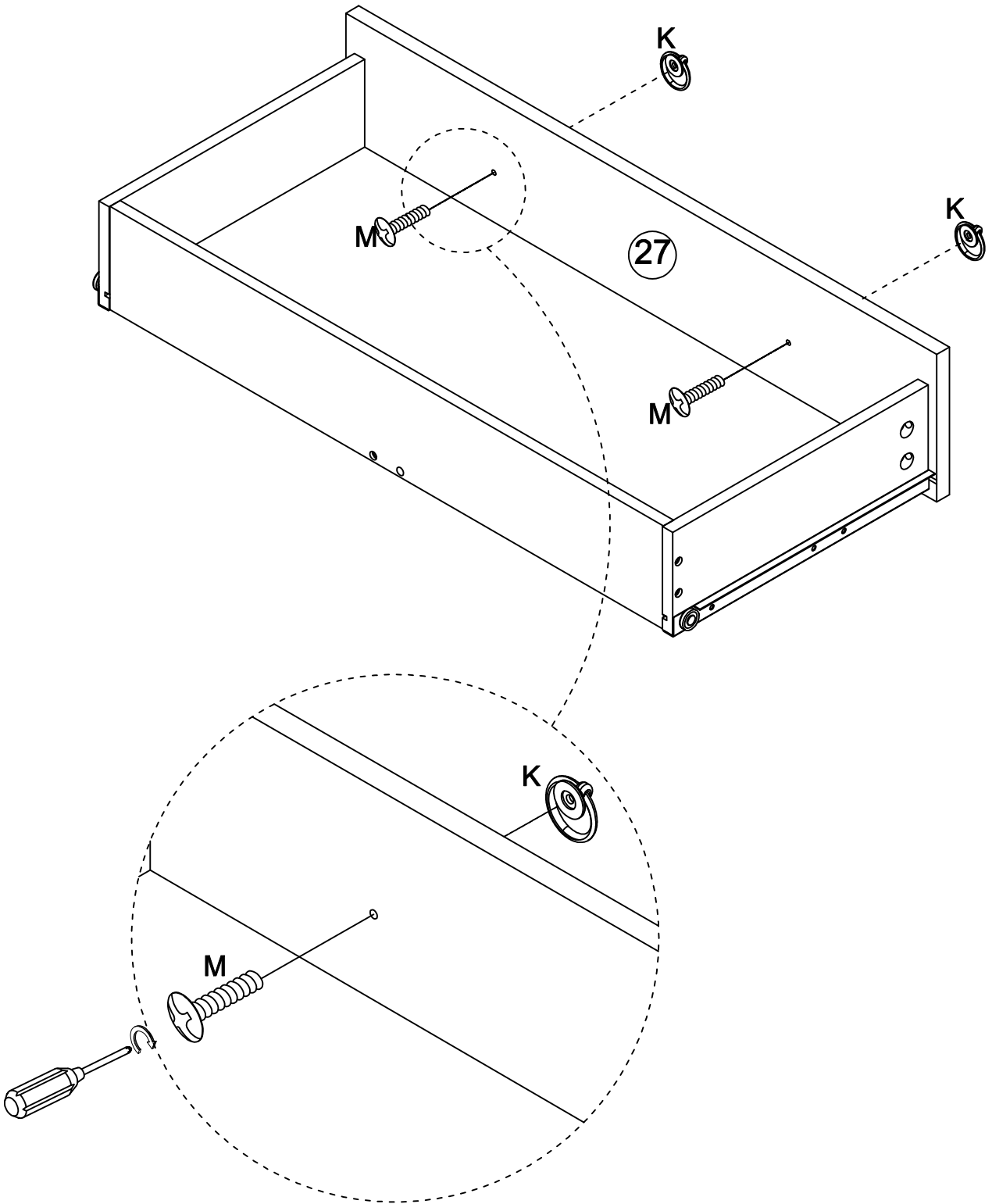
**NOTE:**

Refer to the images to identify J-DL (left) and J-DR (right). Attach J-DL to #23 panel and J-DR to #22 panel. [I] screws must go in the exact spots shown.



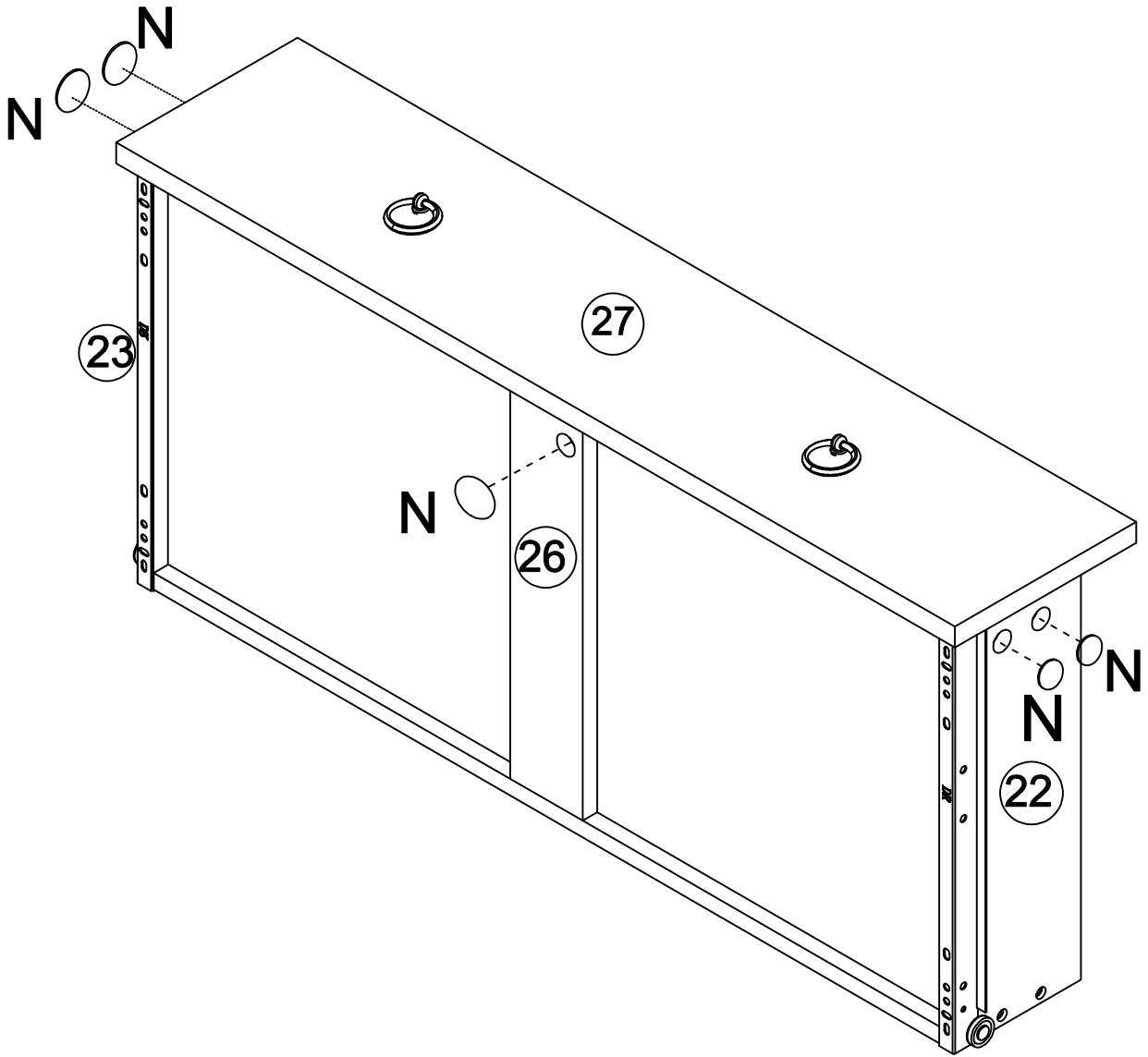
# Step 7

K	M
	
X2	X2





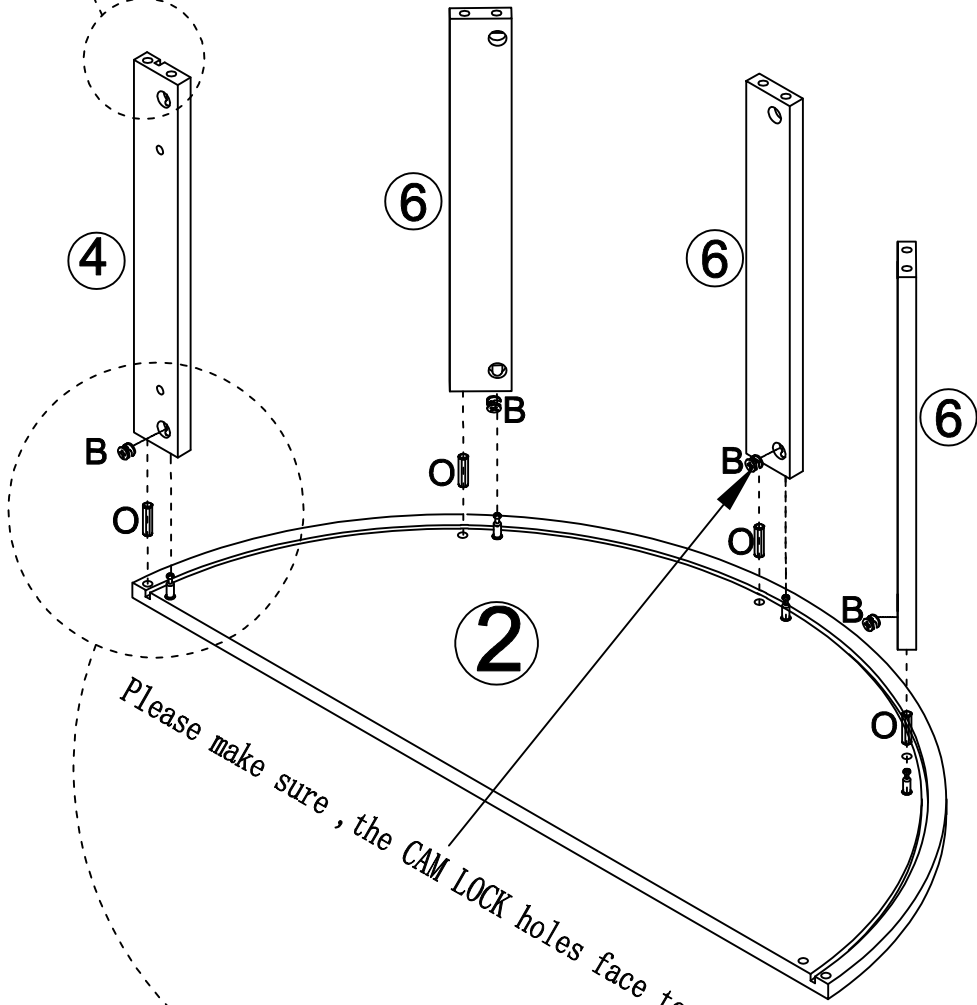
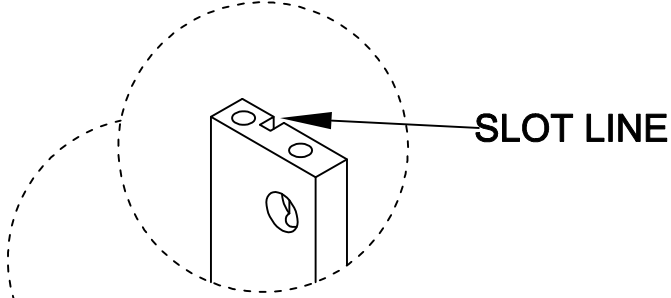
# Step 8

N
O
X5

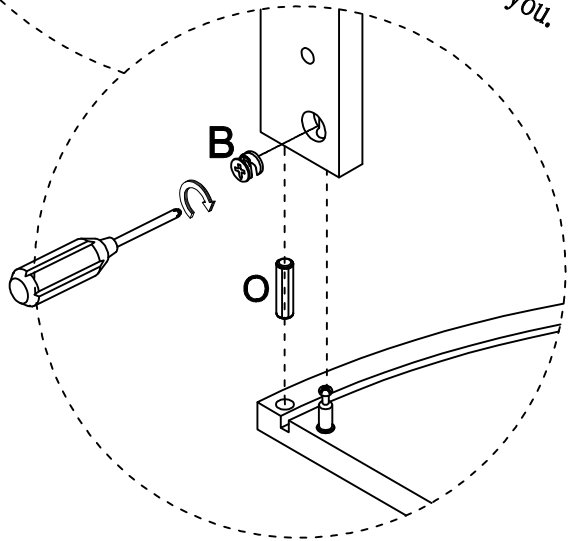


# Step 9



O	B
	
X4	X4

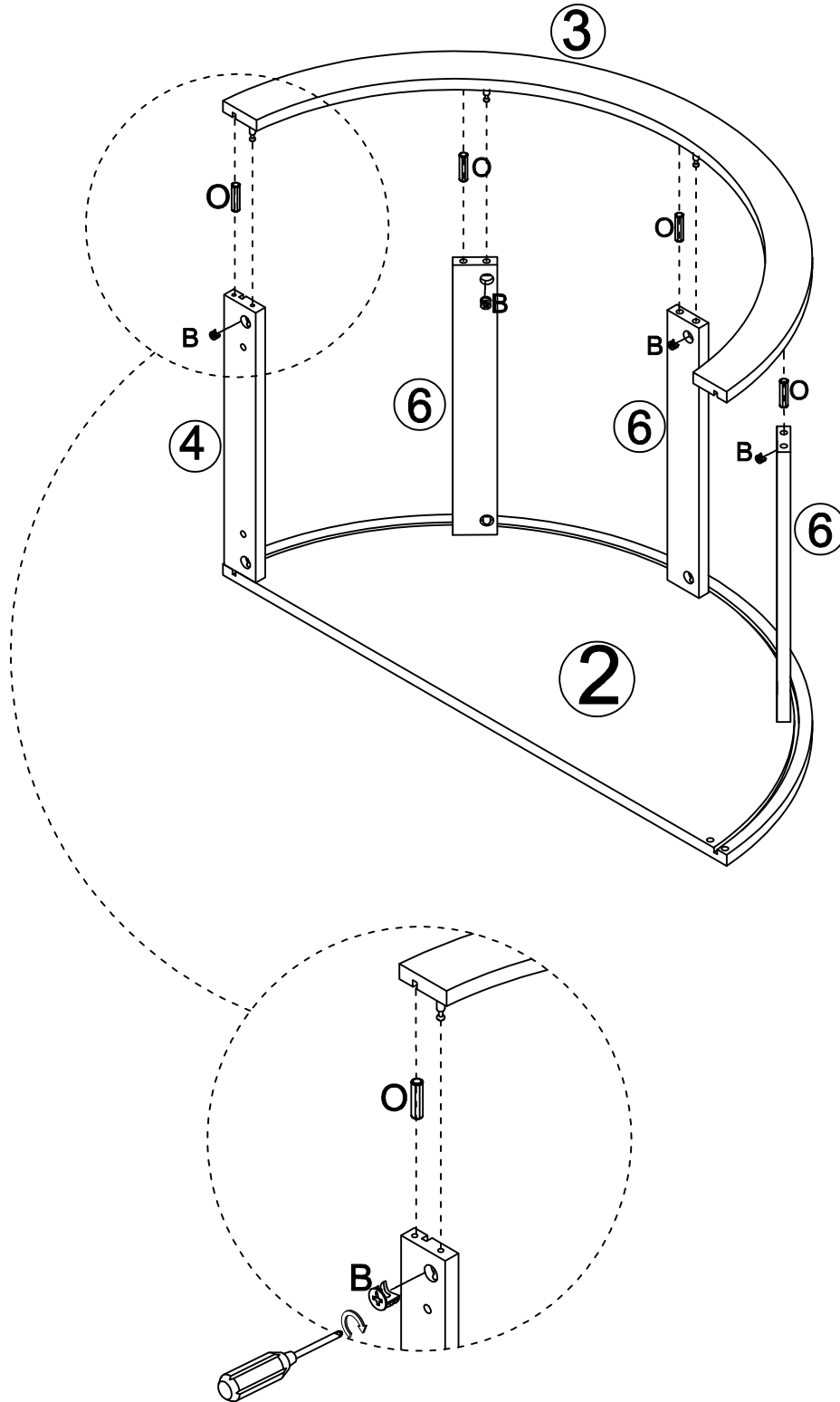


Please make sure , the CAM LOCK holes face to you.



# Step 10

O	B
	
X4	X4



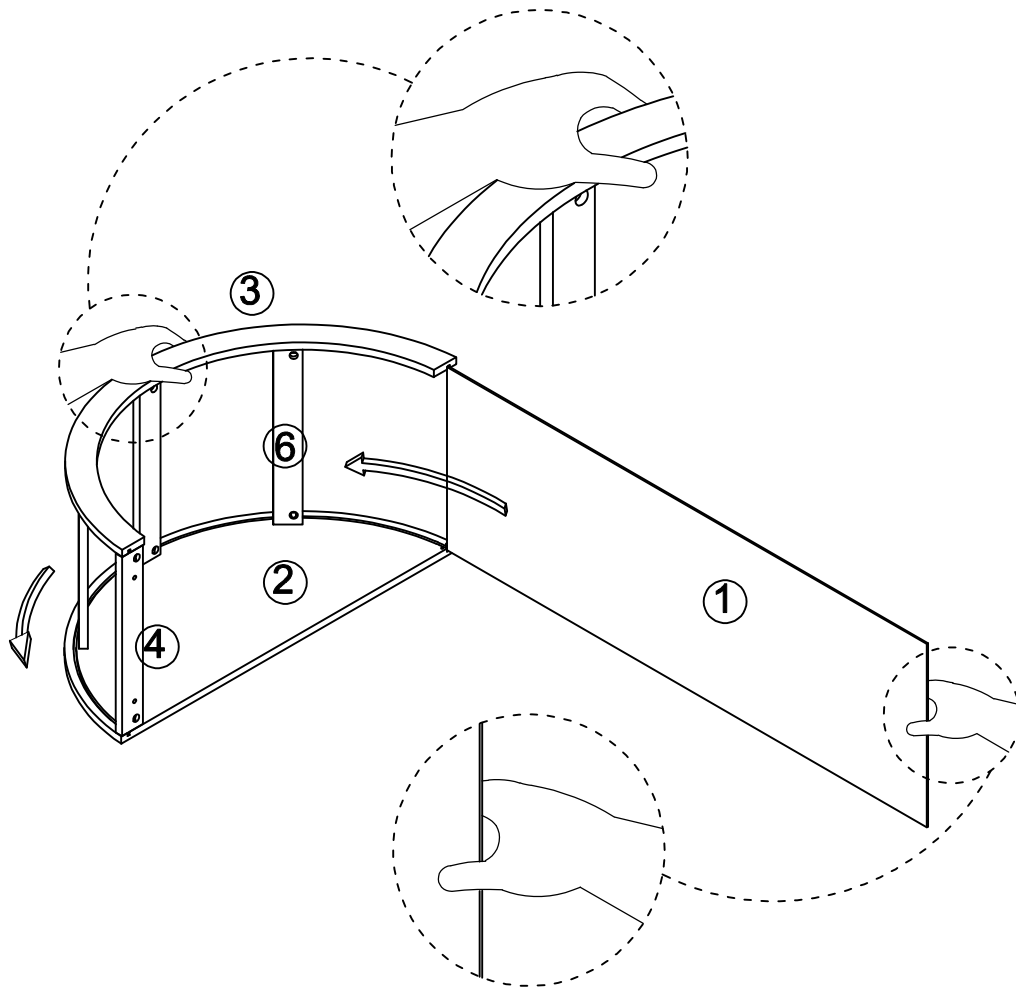
# Step 11

**NOTE:**

It is recommended that 2 people assemble.

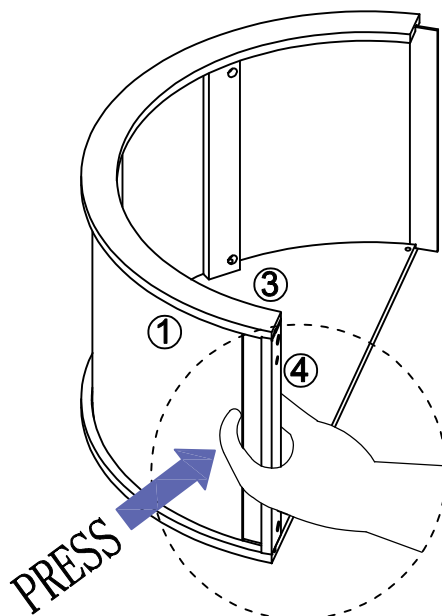
## STEP 11-1: Insert Thin Board #1

Hold the middle of board #3 and insert #1 into the groove from right to left.



## STEP 11-2: Secure Thin Board #1 into #4's Groove

As #1 approaches #4, press #1's middle part with hand to keep it aligned with #4's groove. Simultaneously push #1 into the groove of #4 from right to left.




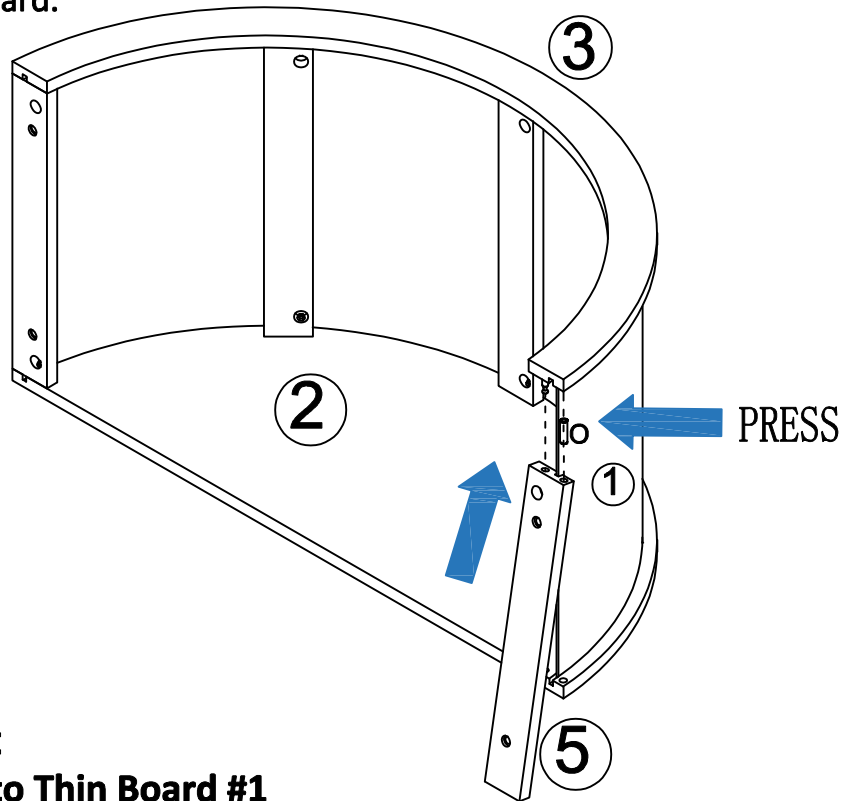
# Step 12

Step 12-1:

**Install #5 on the Right Side**

**While pressing the upper end of #1 to ensure it aligned with the top of #5's groove, align #5 with the bolt and wooden dowel hole on #3, and insert the top of #5 upward.**

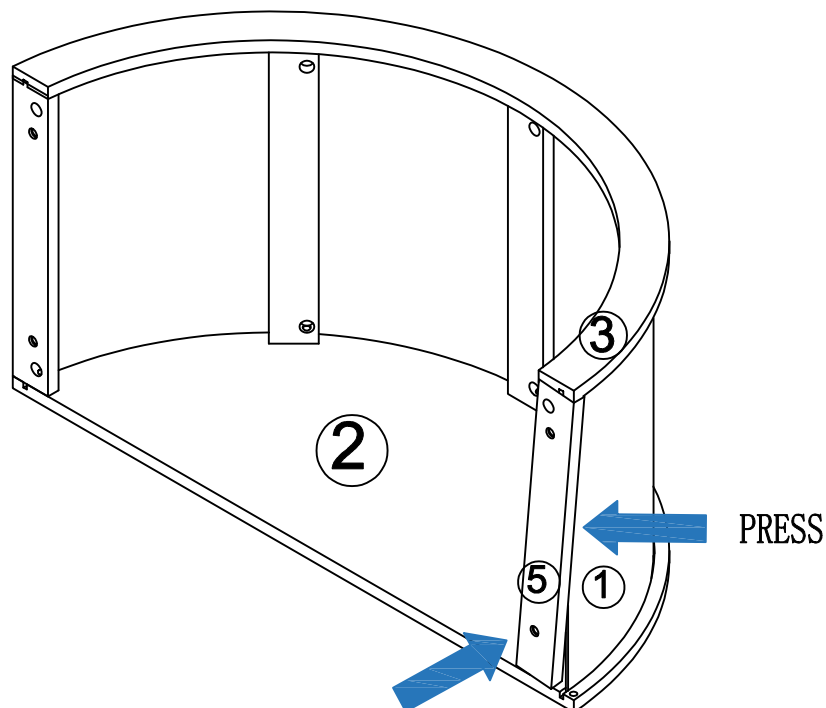
○

X1




Step 12-2:

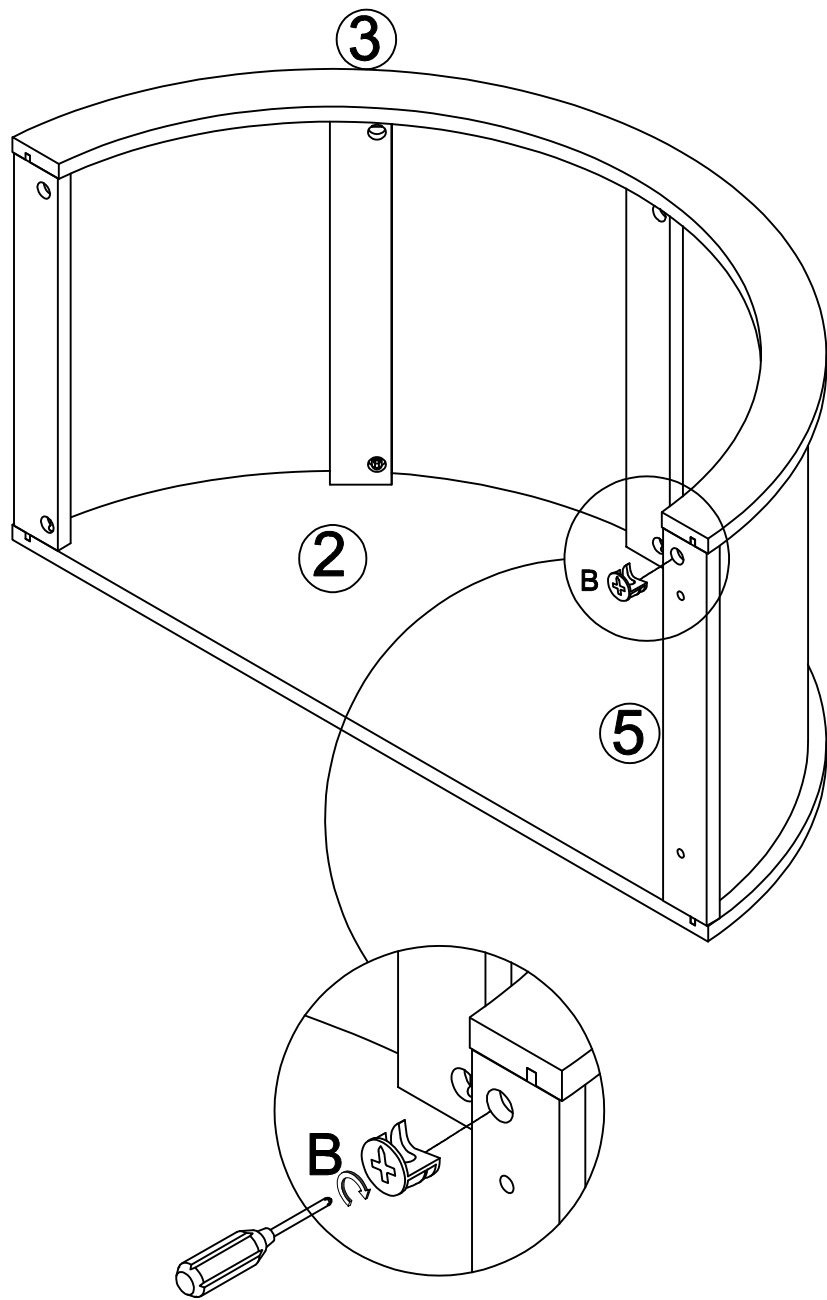
**Snap #5 into Thin Board #1**

**Press the middle part of #1 to align it with of #5's groove, and snap the groove on #5 into #1.**



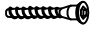
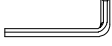
# Step 13

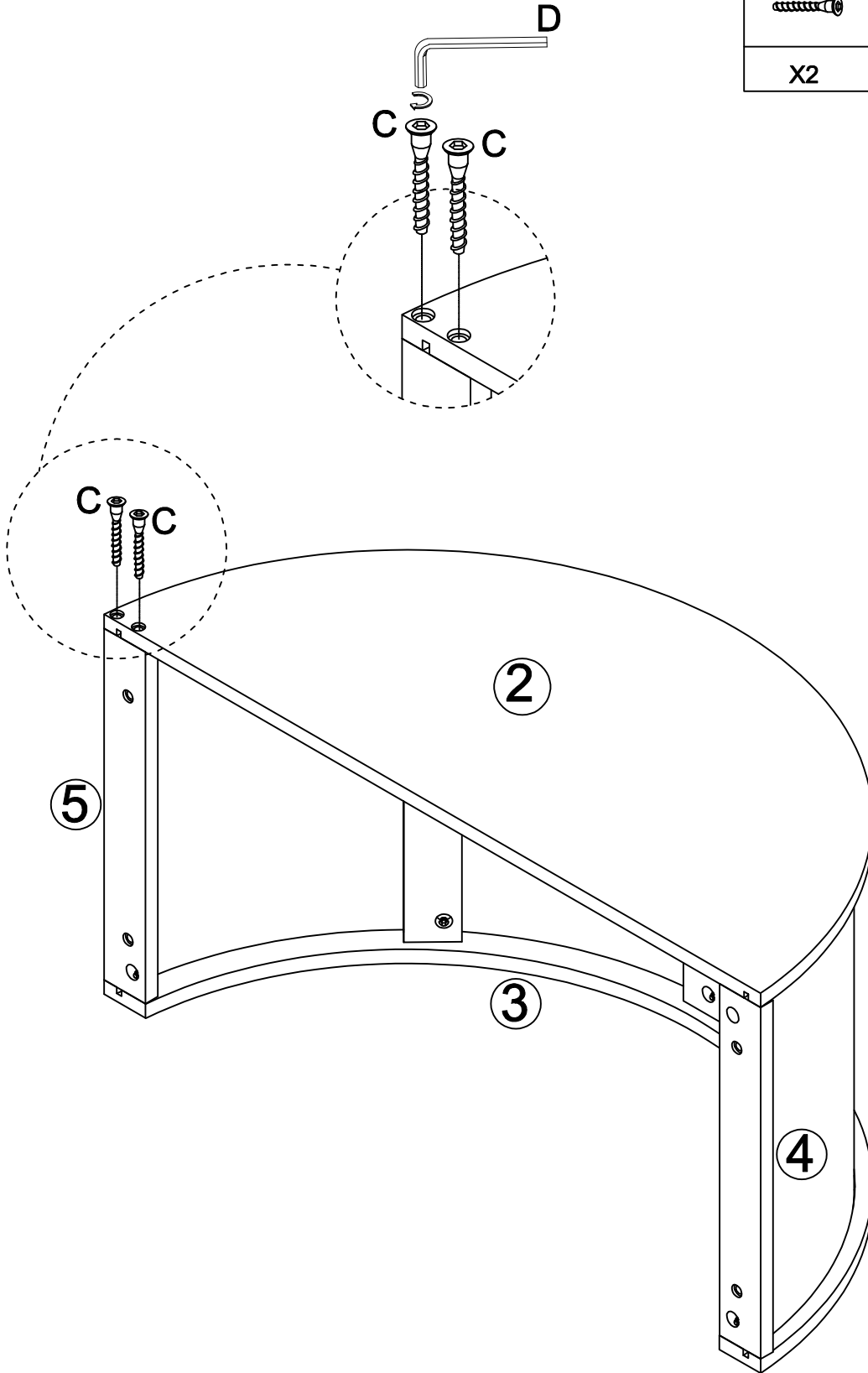
B

X1





**Secure the Cam Nut**  
Insert the cam lock nut and tighten it.

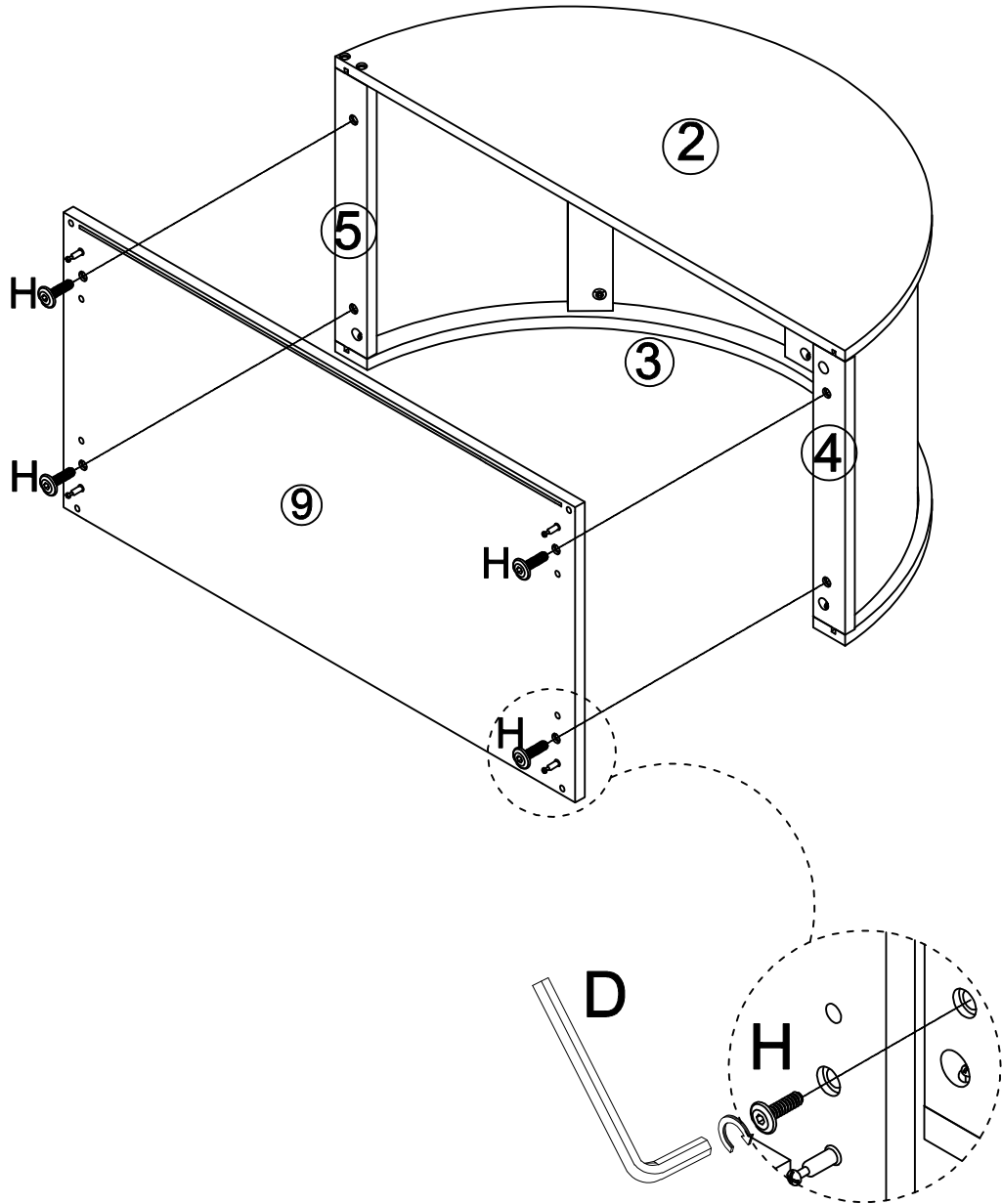
# Step 14

C	D
	
X2	X1





# Step 15

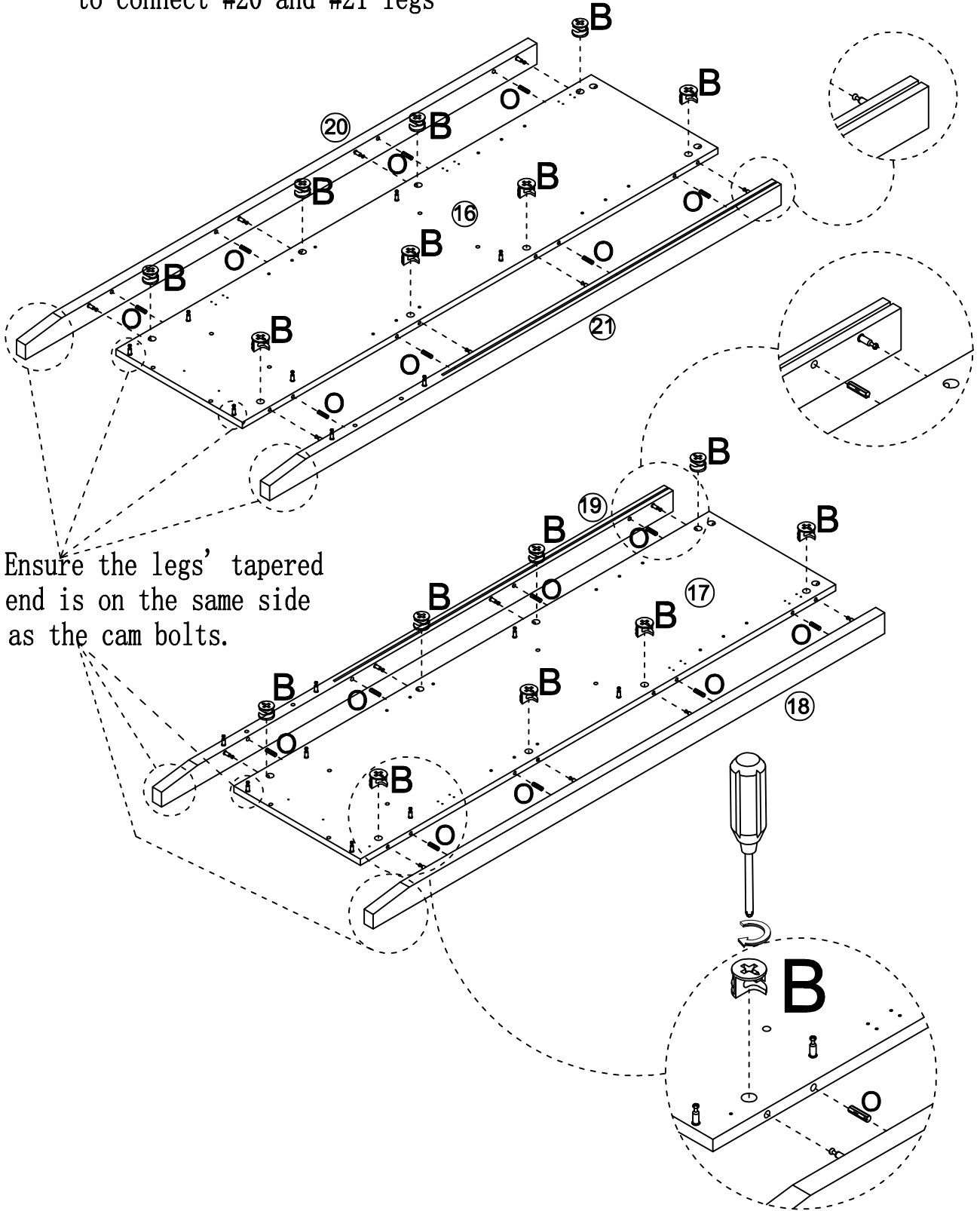
H	D
	
X4	X1



# Step 16

○	B
	
X16	X16

NOTE: Use #17 board to connect #18 and #19 legs, Use #16 board to connect #20 and #21 legs



# Step 17

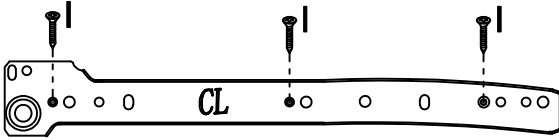
NOTE:

Refer to the images to identify J-CL (left) and J-CR (right). Attach J-CL to #16 panel and J-CR to #17 panel. [I] screws must go in the exact spots shown.

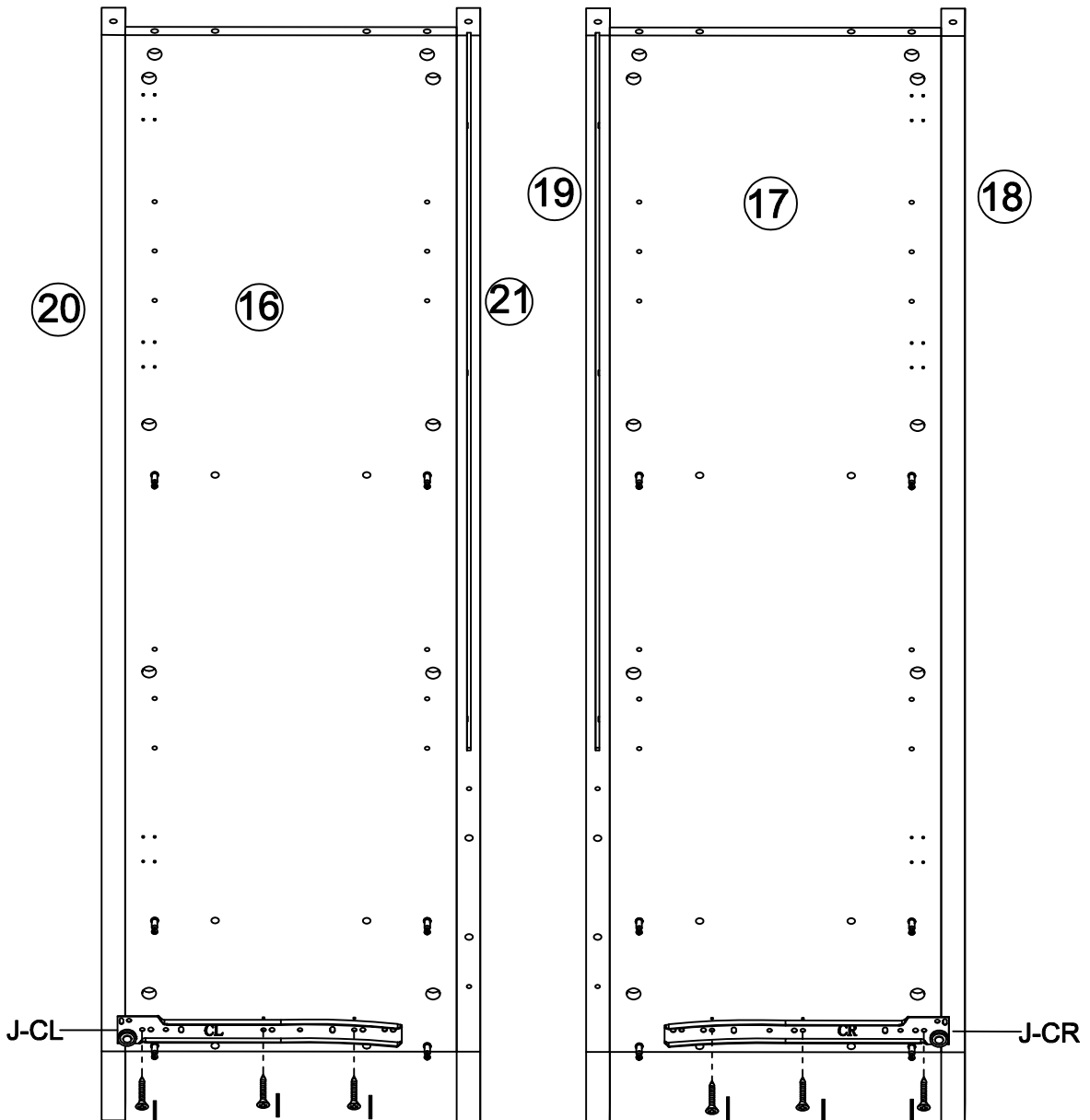
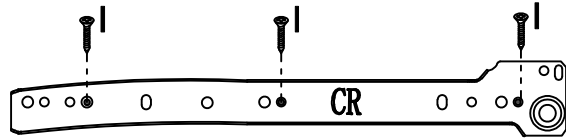


J	I
X1	X6



## J-CL

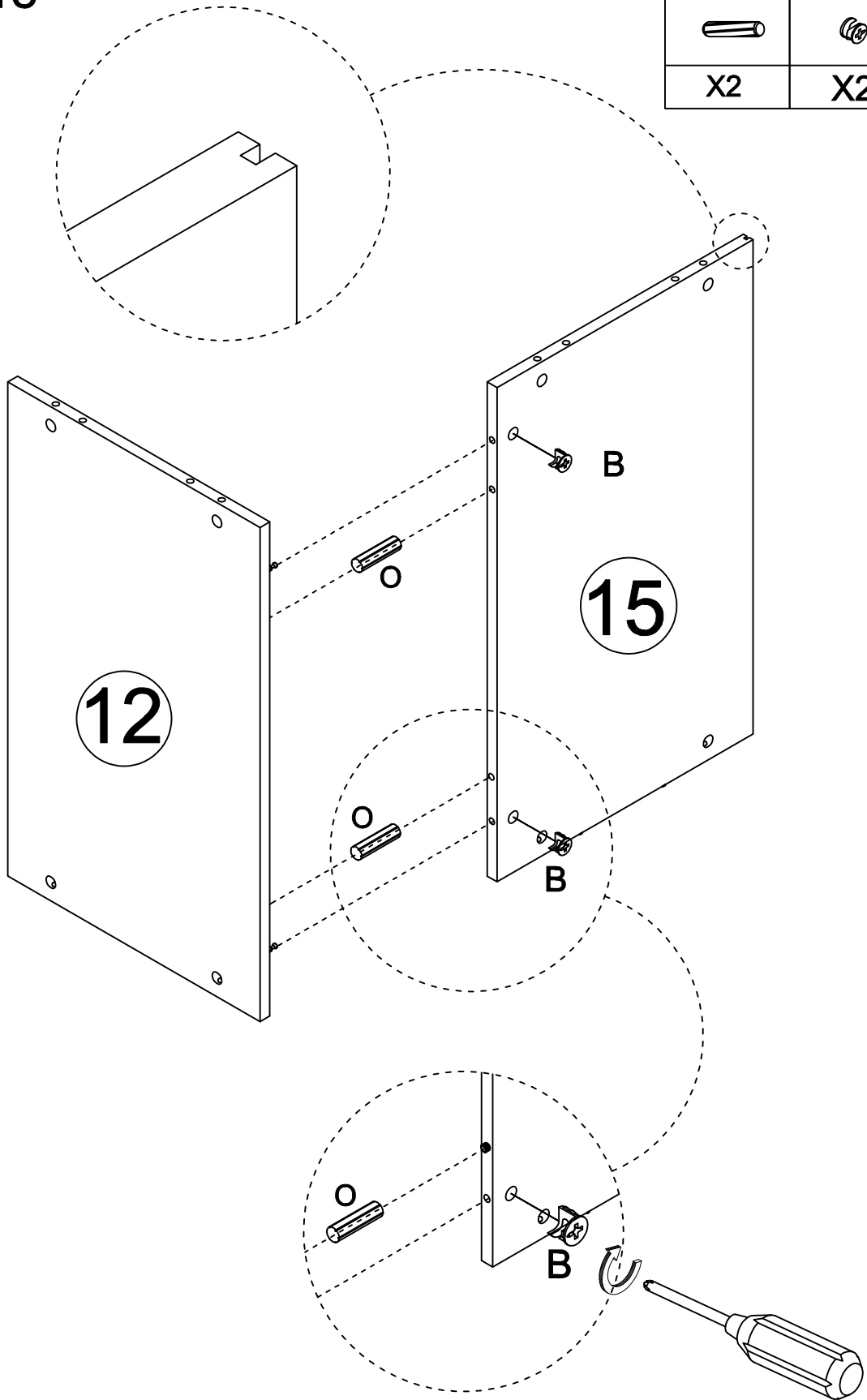


## J-CR





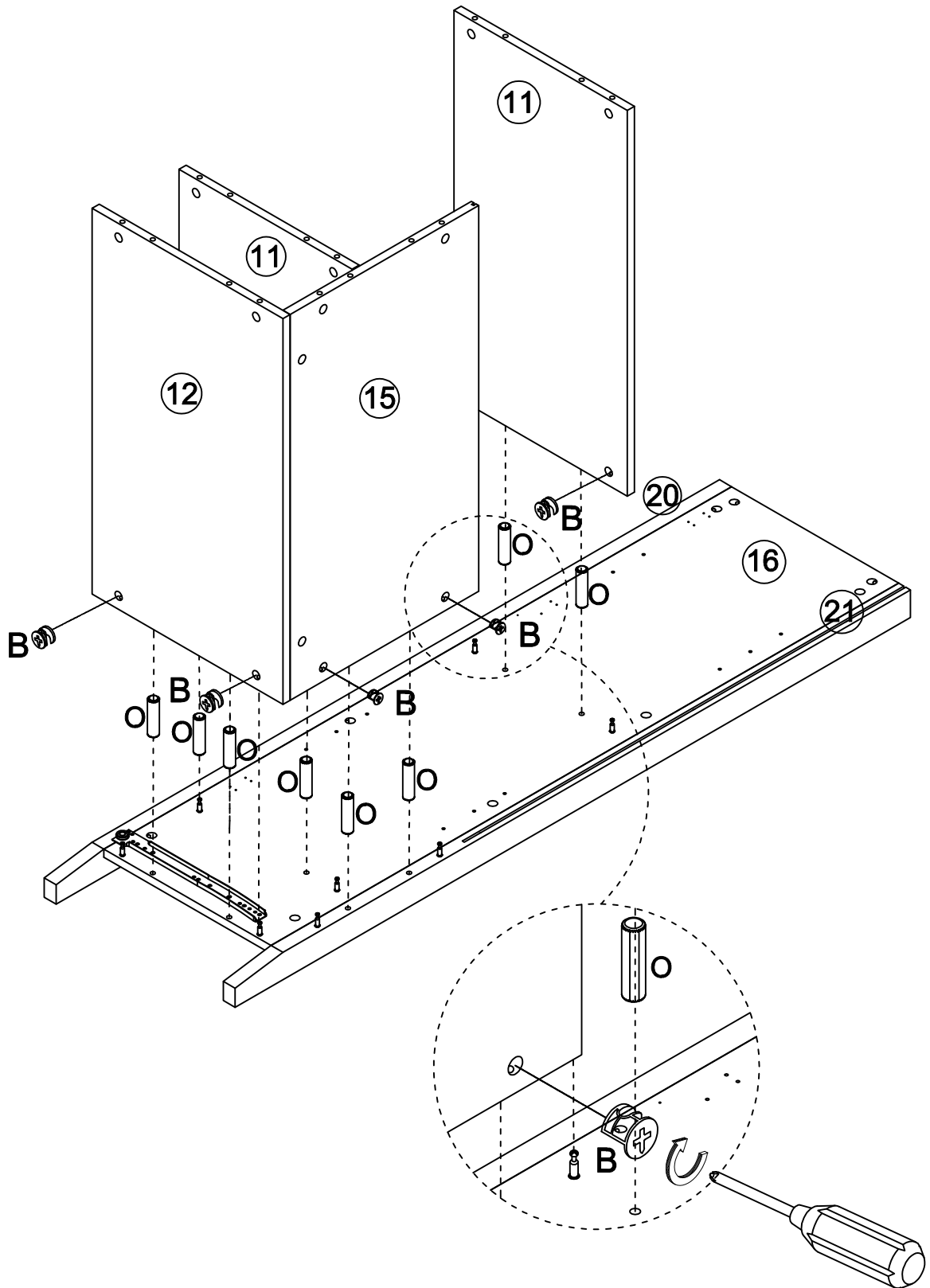
# Step 18

O	B
	
X2	X2





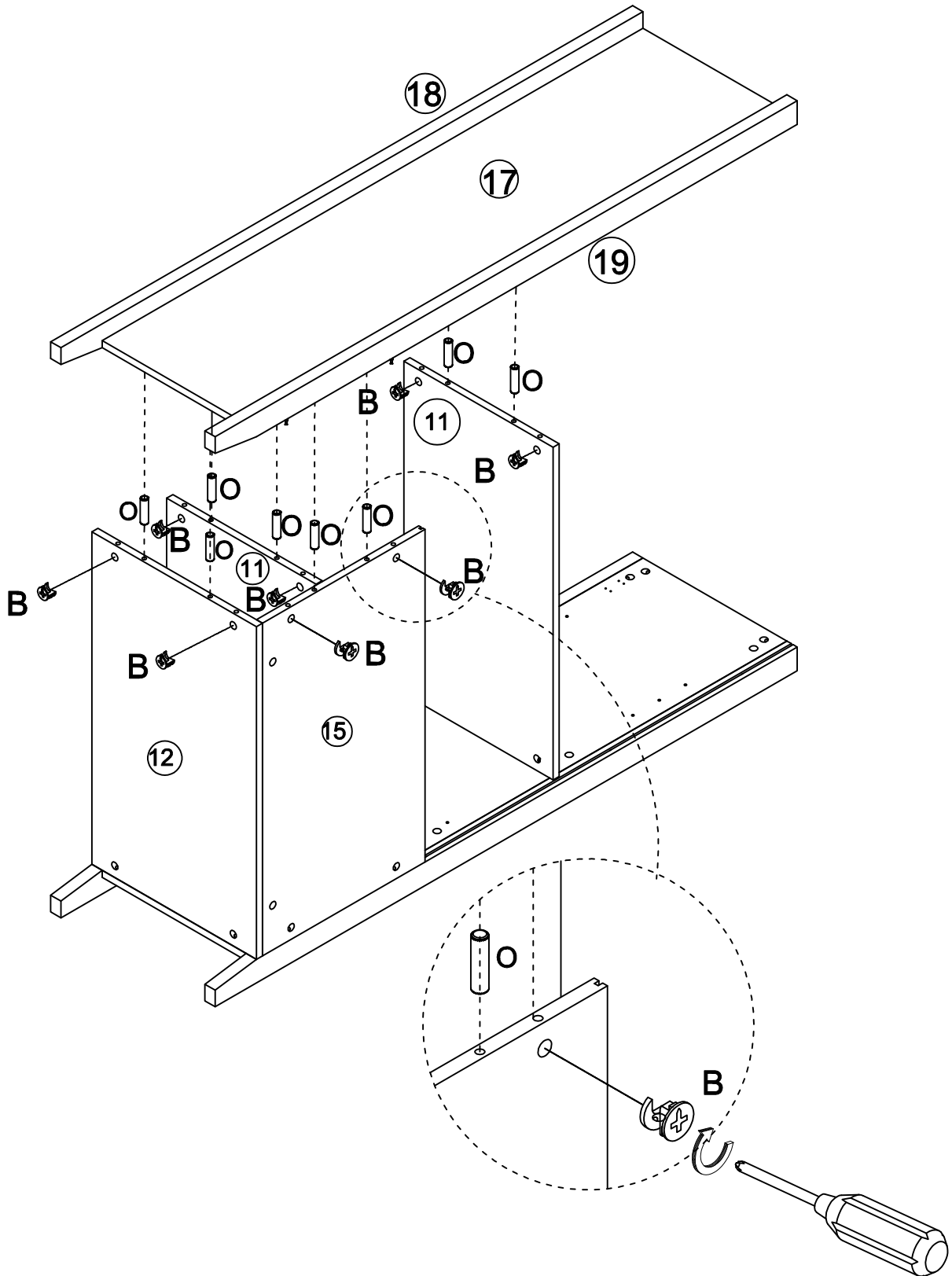
# Step 19

O	B
	
X8	X8



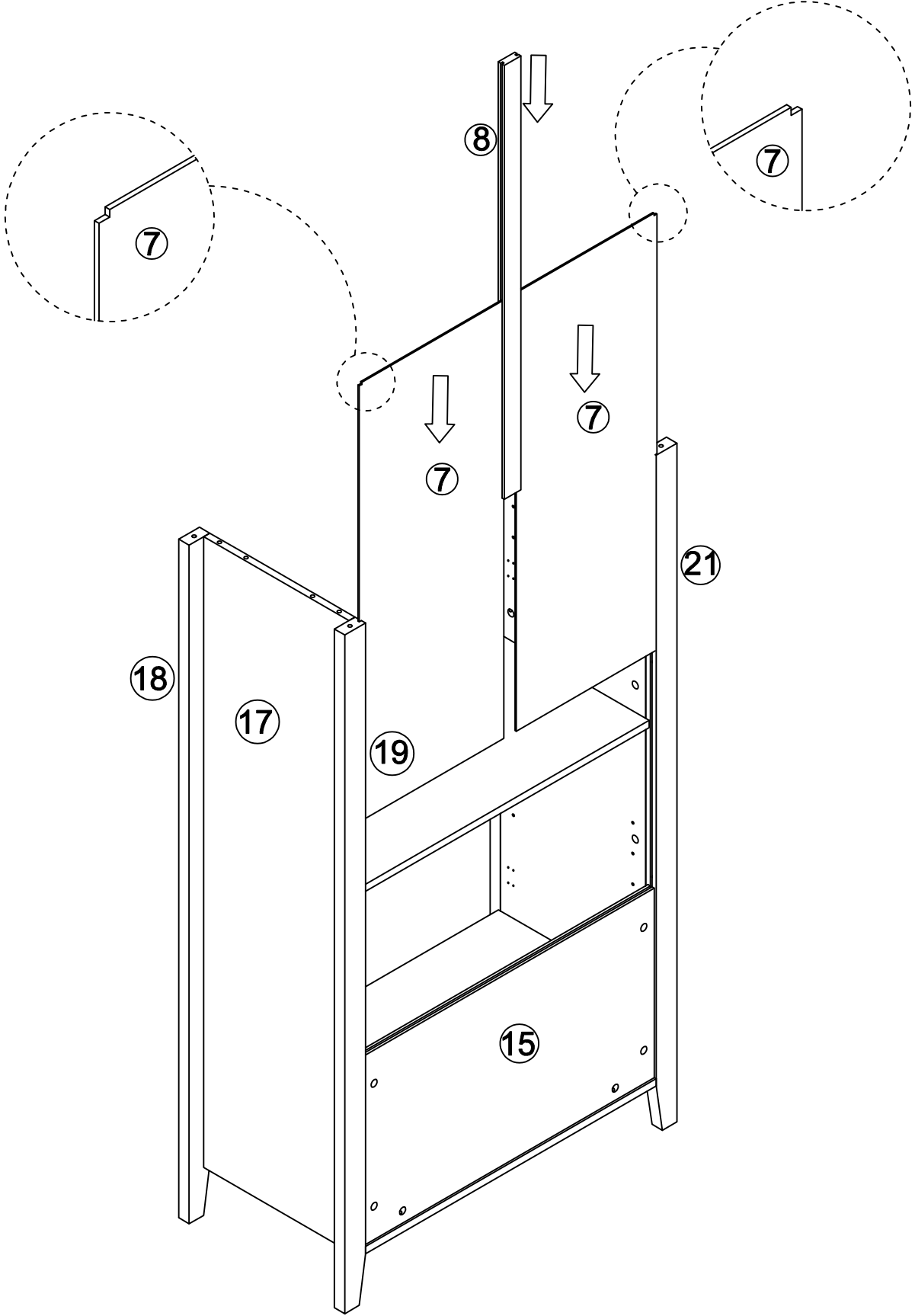
# Step 20

O	B
	
X8	X8





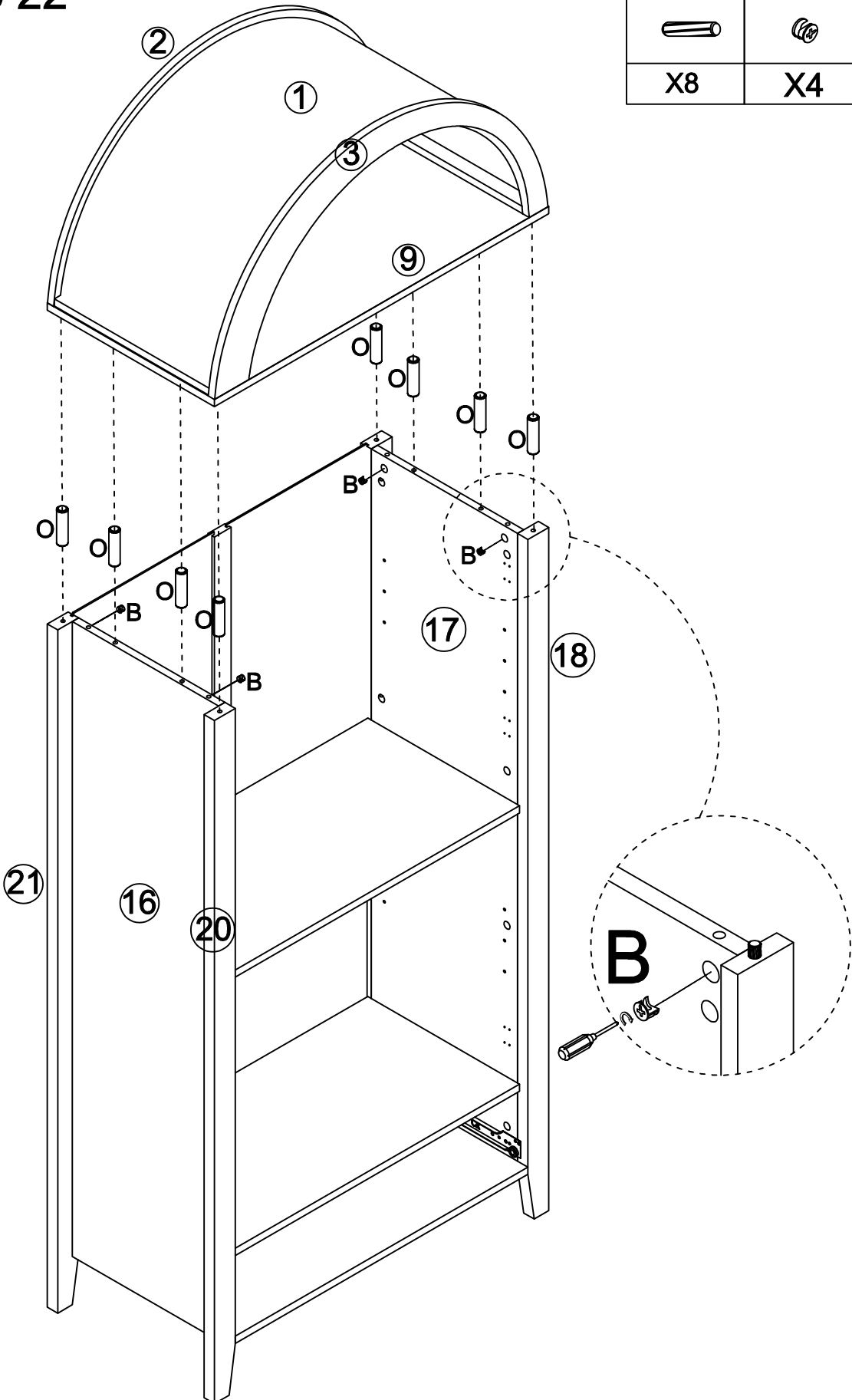
# Step 21

Please make sure , the notch on the part(7) is upside as the drawing show.



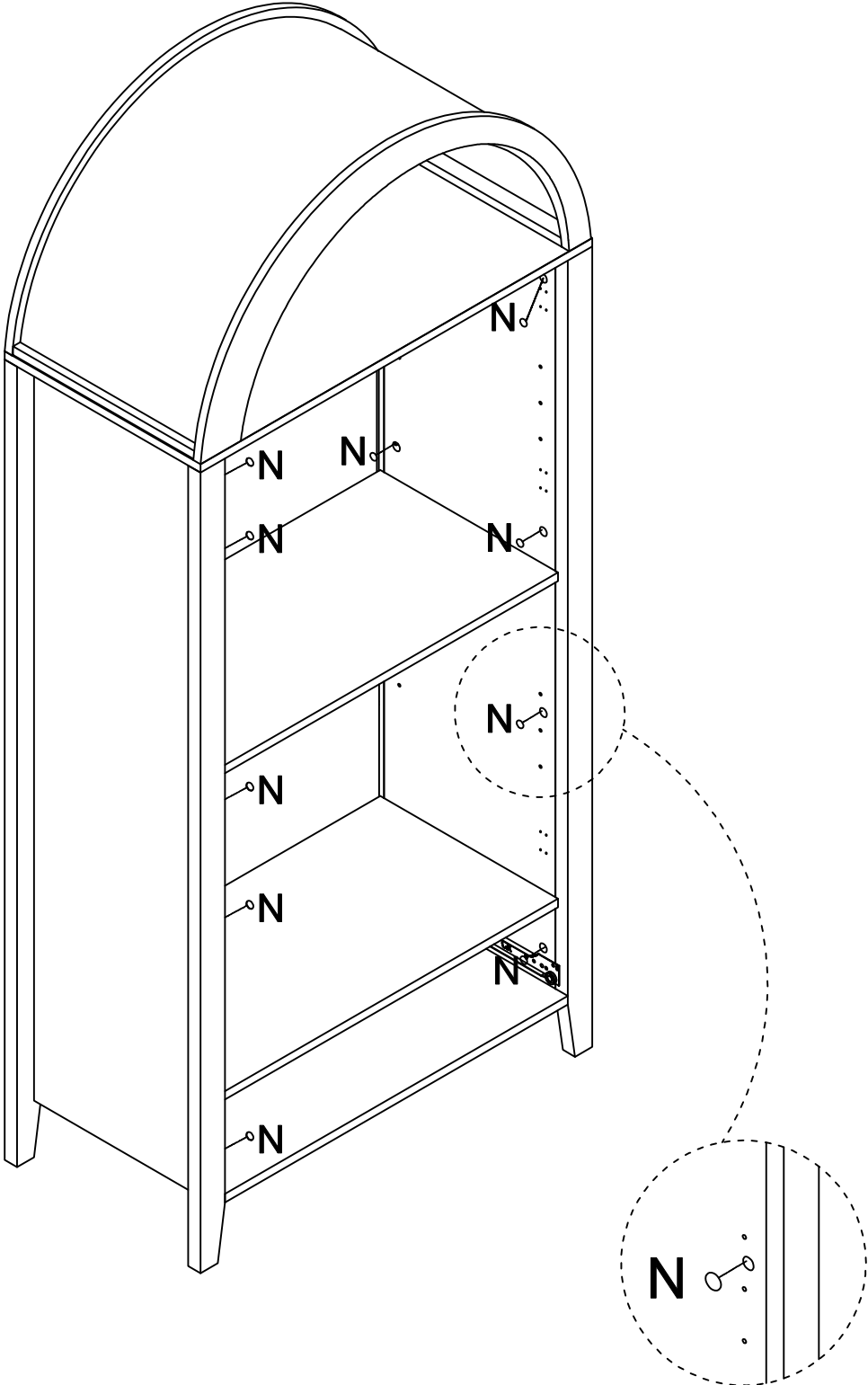
# Step 22

O	B
	
X8	X4




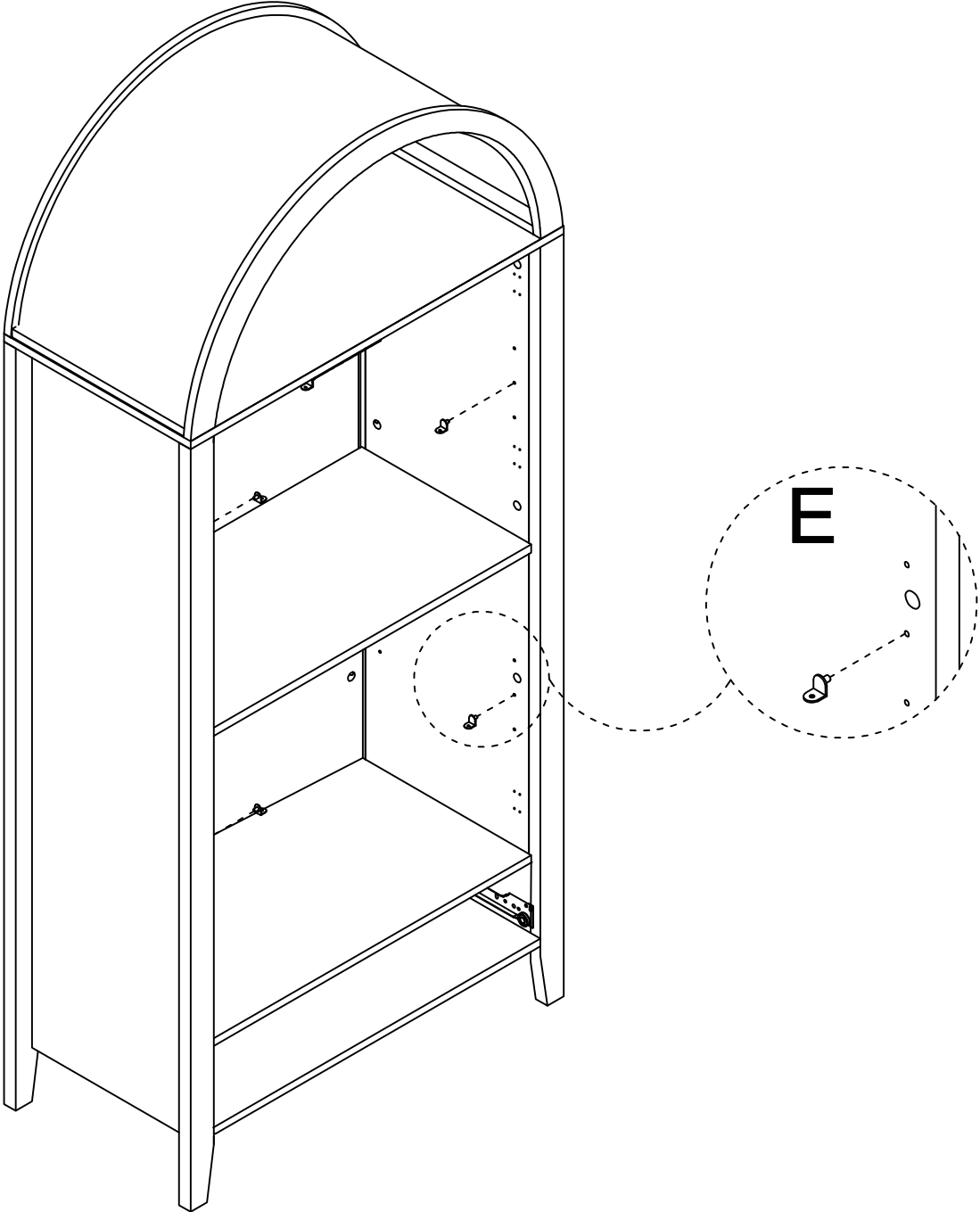
# Step 23

N
O
X47

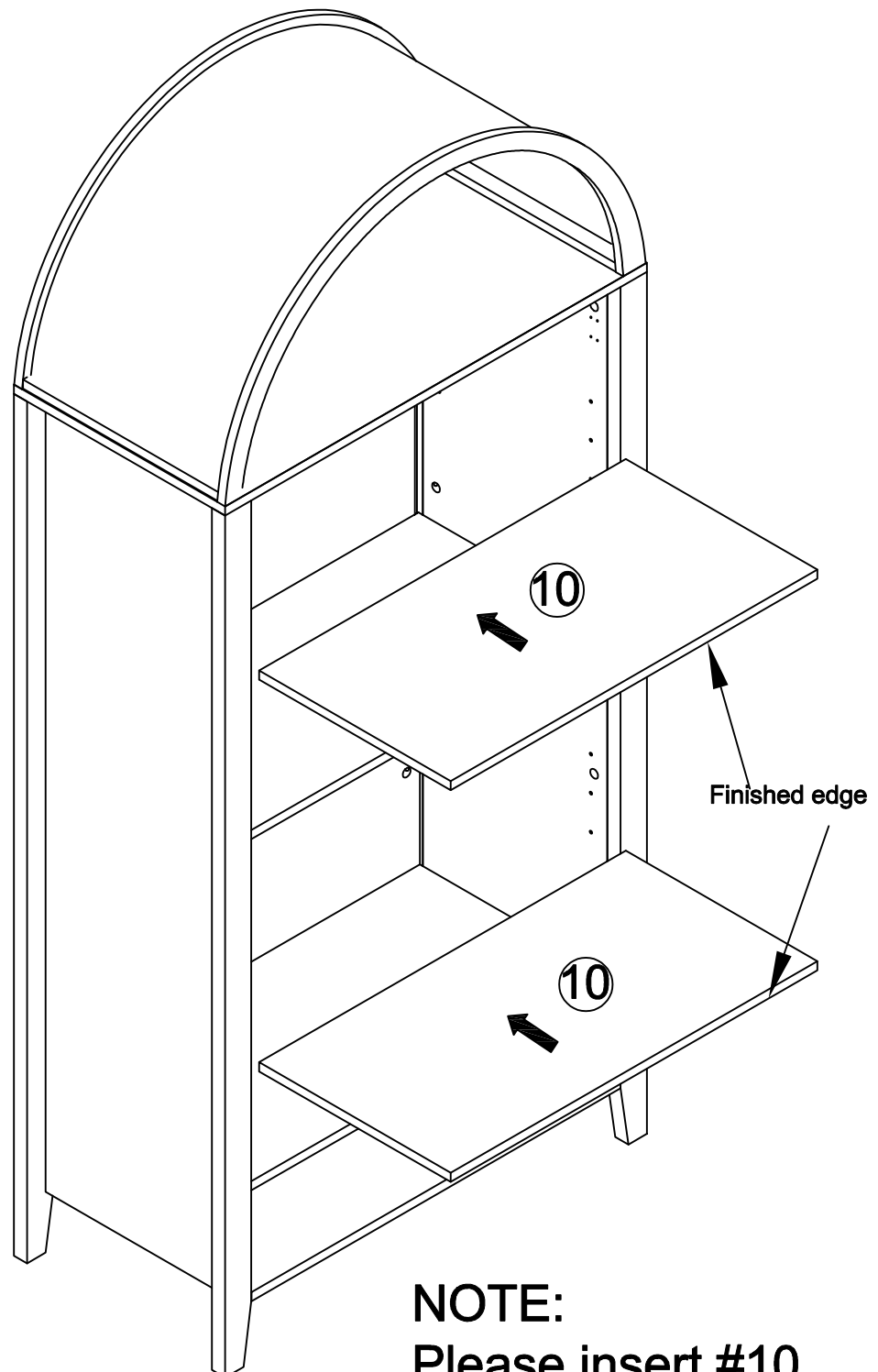


# Step 24

E

X8





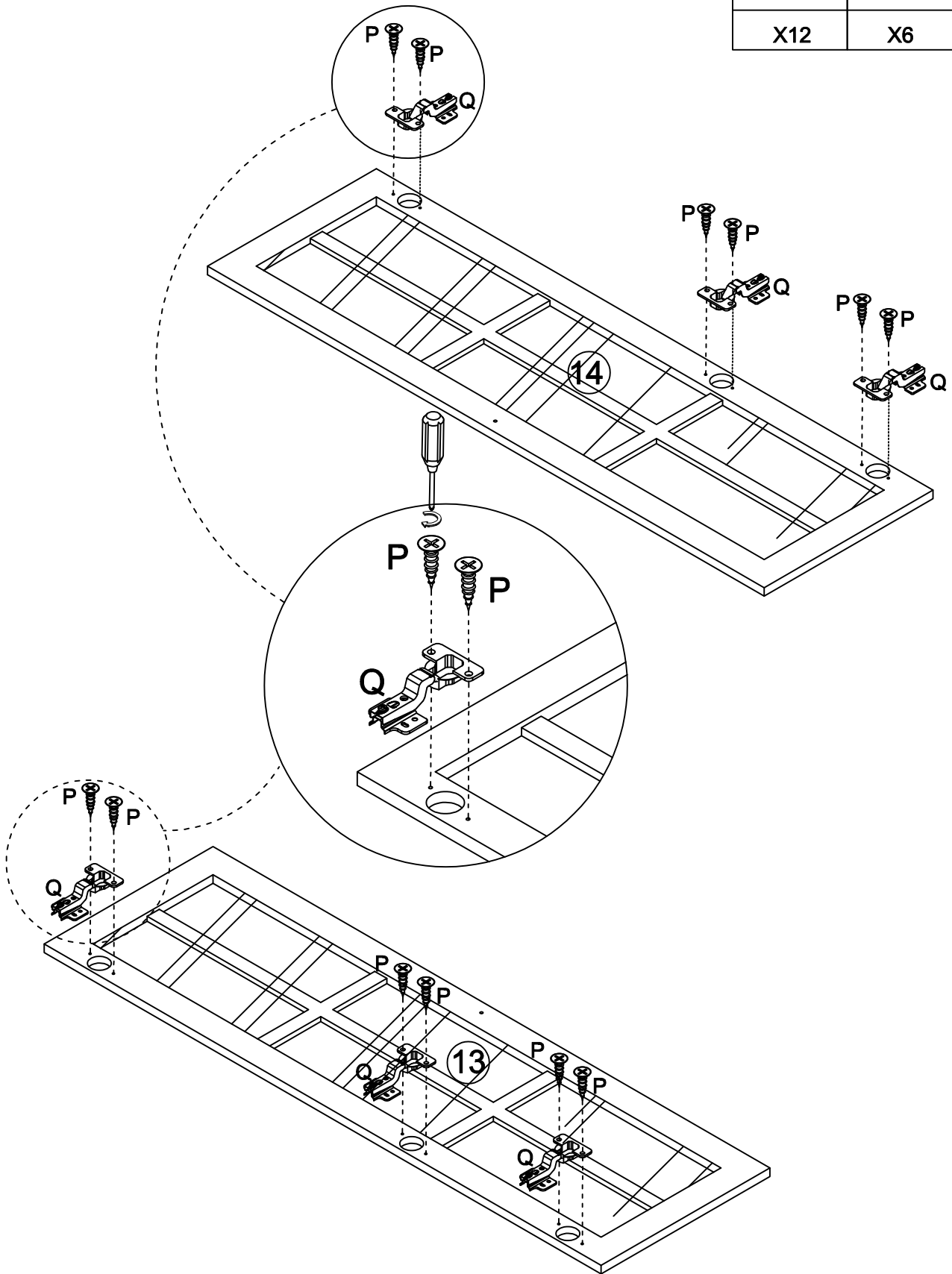
## Step 25



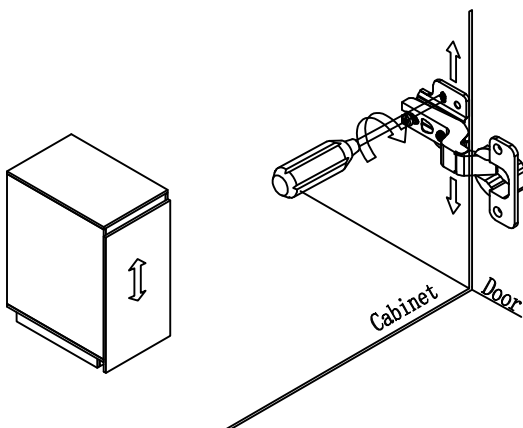
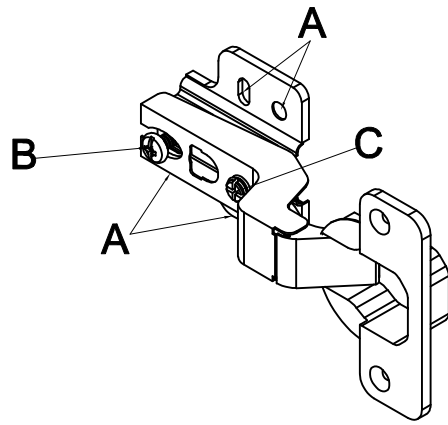
**NOTE:**  
Please insert #10  
board before installing  
the door.

# Step 26

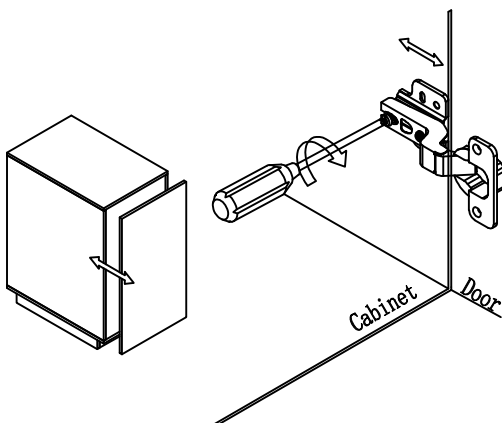
P	Q
	
X12	X6



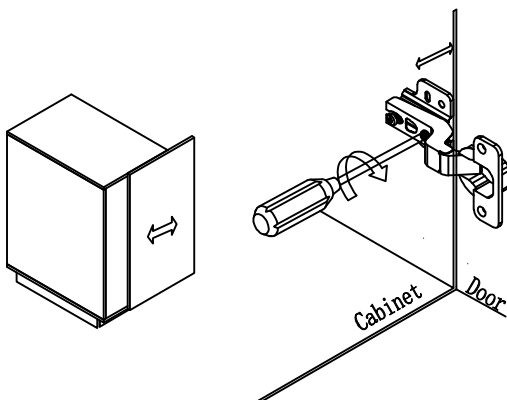
# Step 27



To adjust the vertical height.  
Loosen the four screws "A" on both hinges  
Two of them are usually in slotted holes which allows you to adjust up or down by a few mm.  
Then tighten back up



To adjust depth.  
Loosen screws "B" and adjust door, if the door can not be adjusted , please loose screw "C" , then try again. Tighten screw "B" and "C".



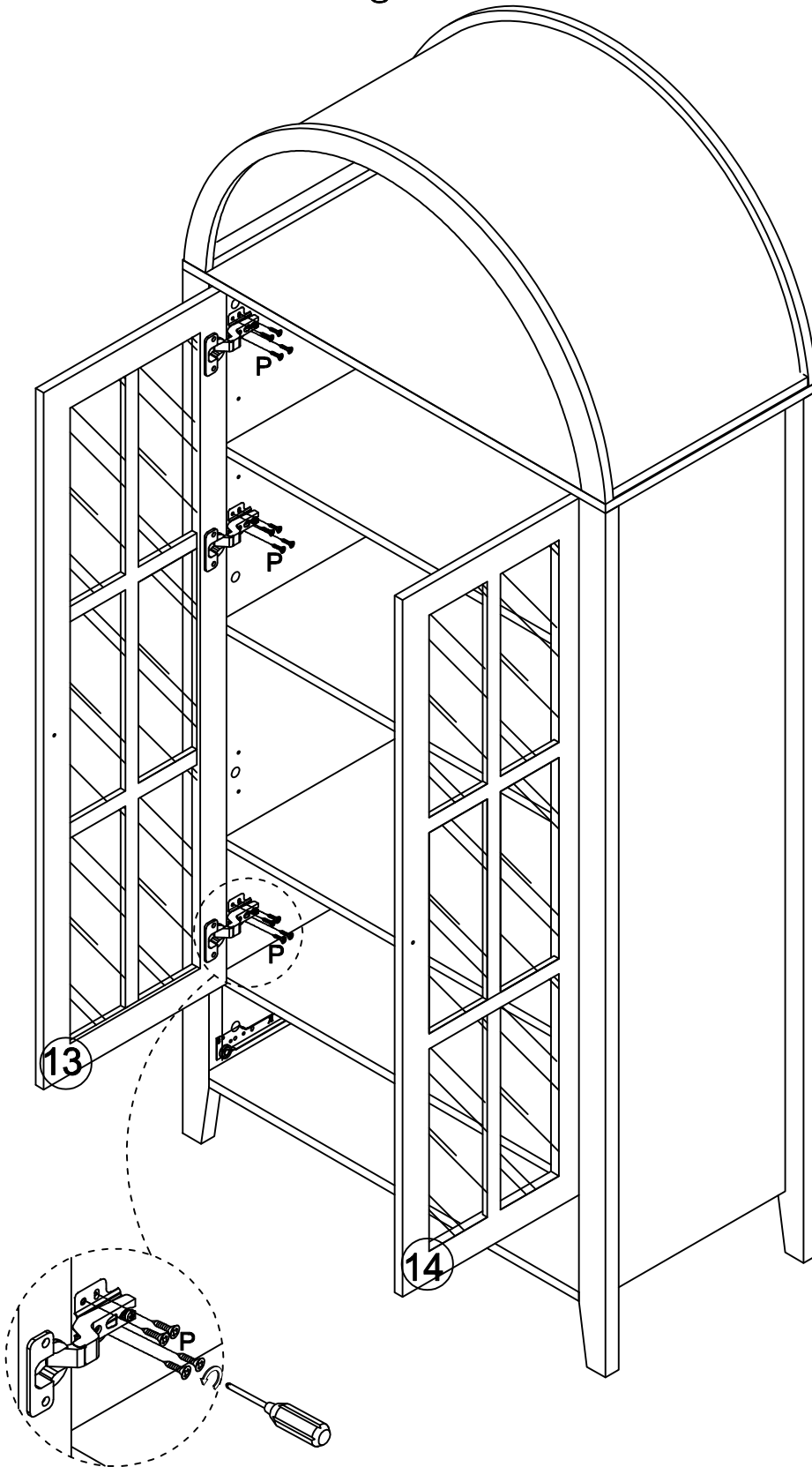
To adjust side ways.  
Turning the screw "C" on BOTH hinges on each door.

Step 28 NOTE: The left door is #13 and the right door is #14.

P



X12

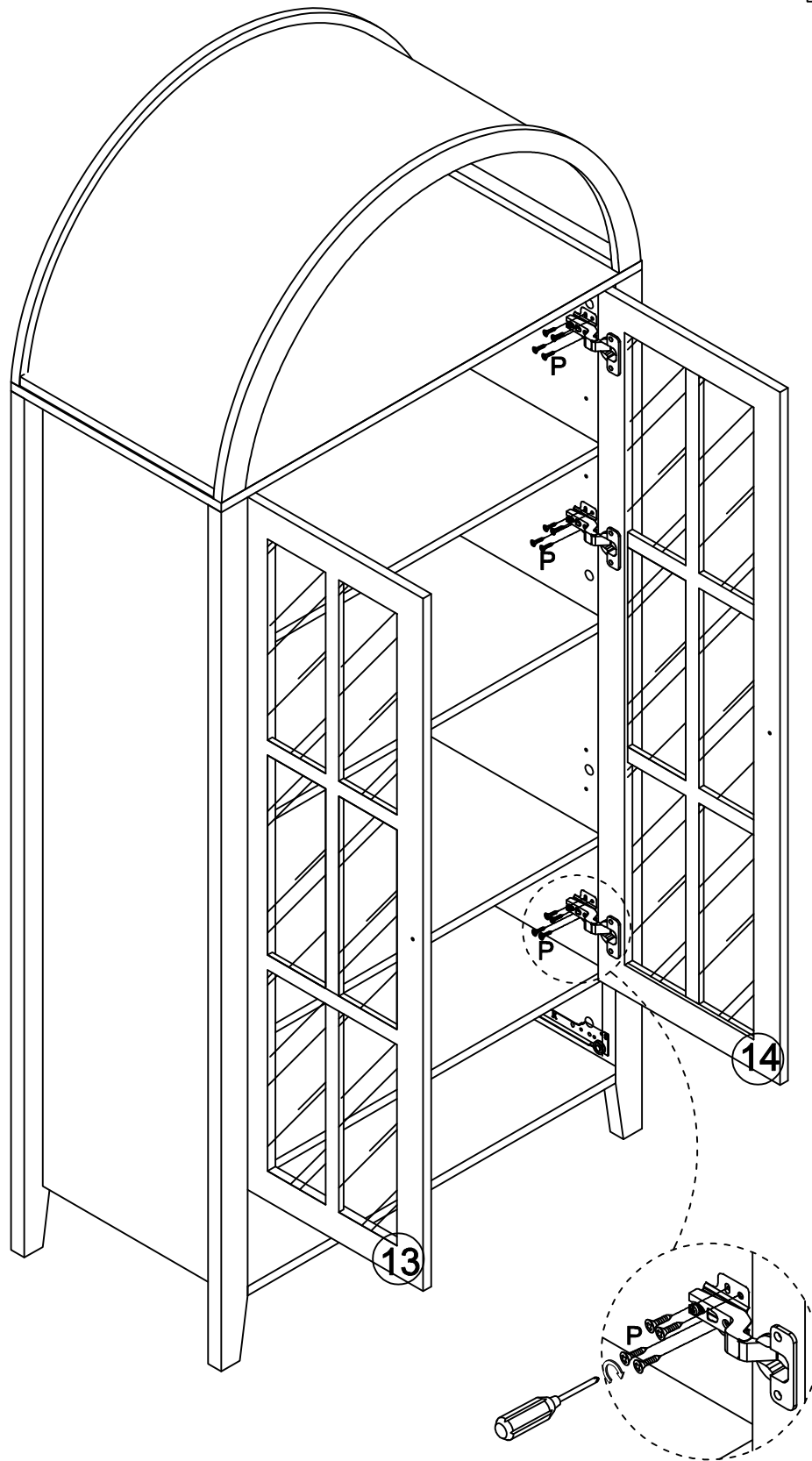


**Step 29** NOTE: The left door is #13 and the right door is #14.



P

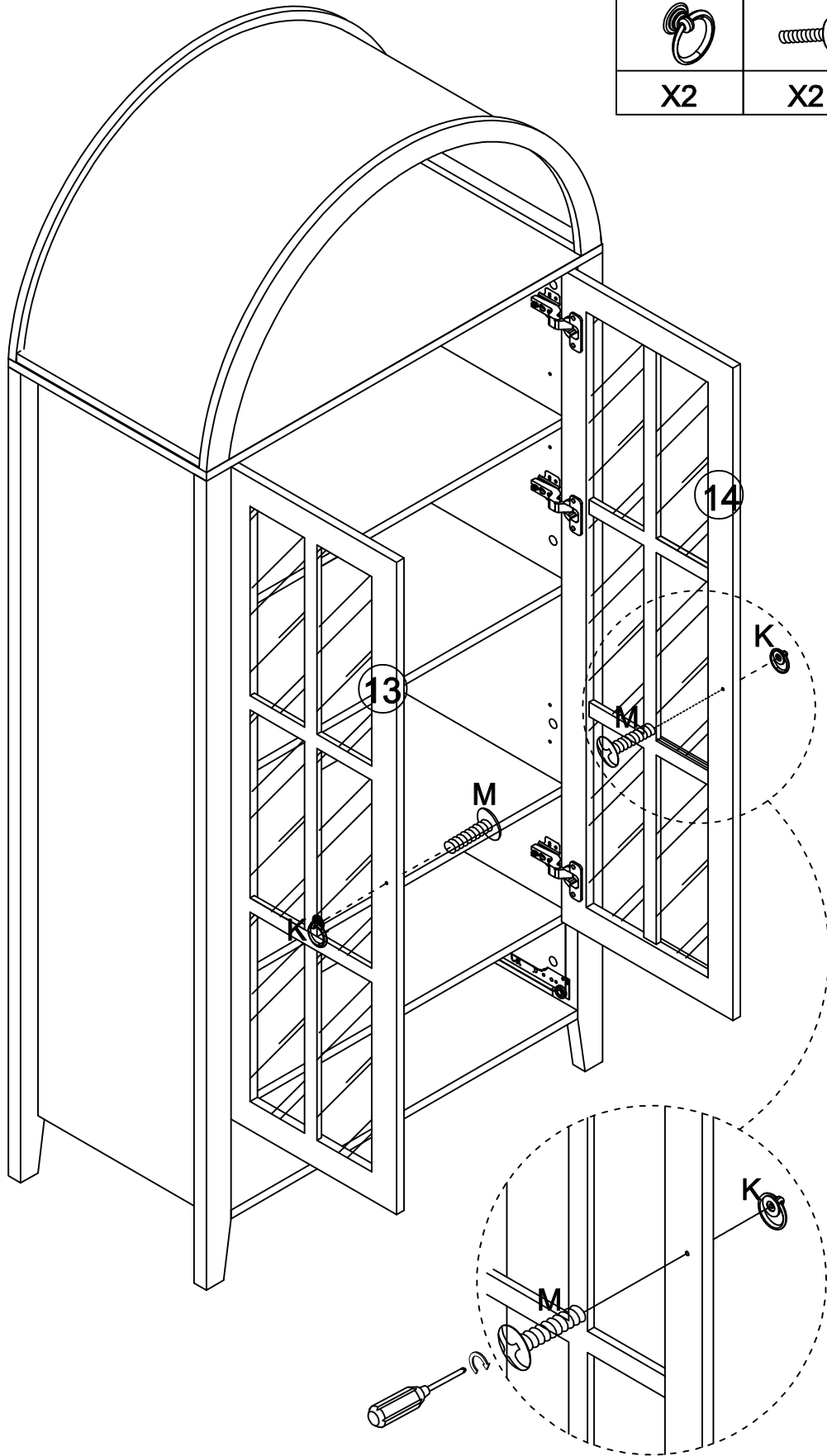


X12

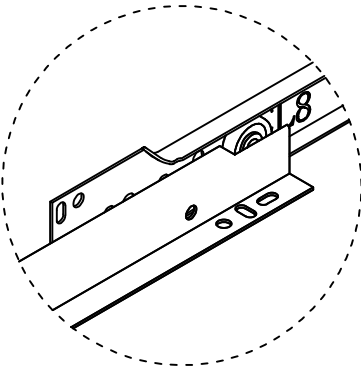
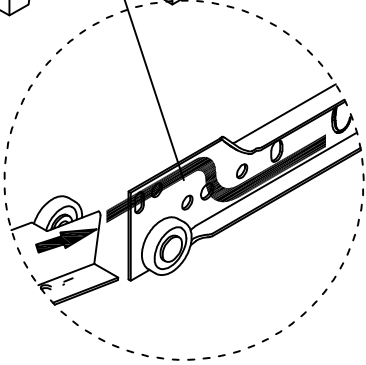


# Step 30



K	M
	
X2	X2

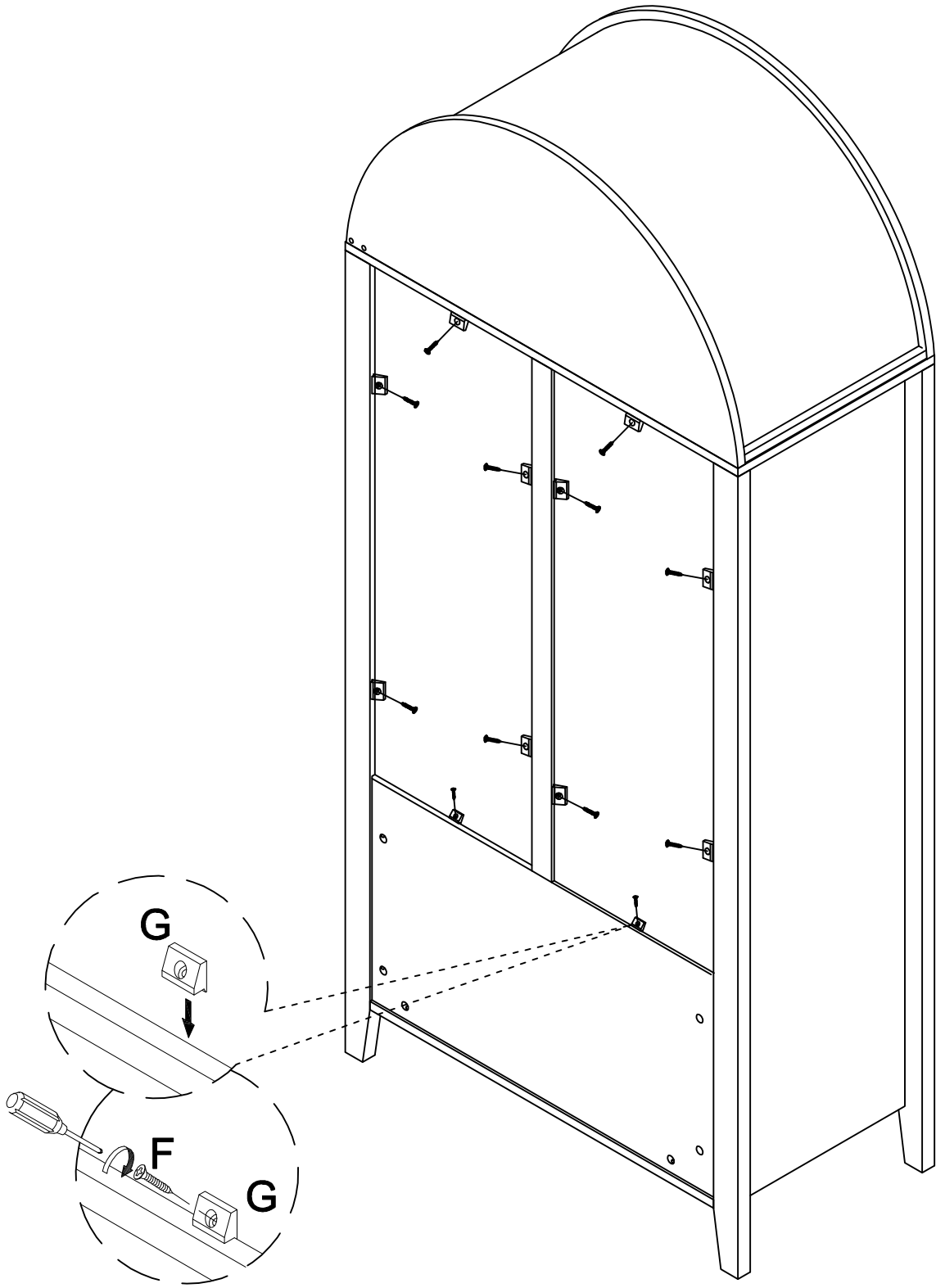


# Step 31


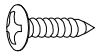


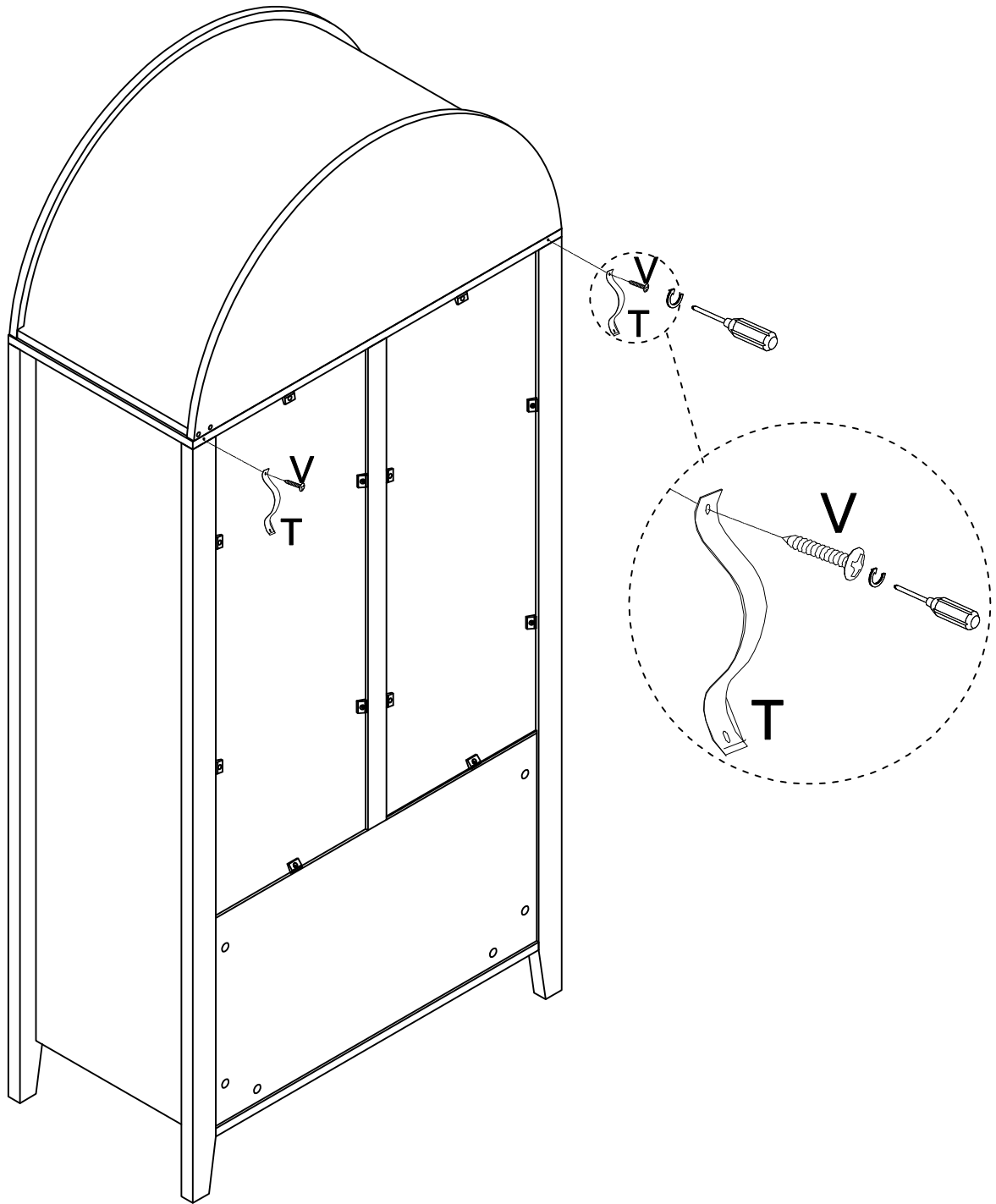
# Step 32

F	G
	
X12	X12



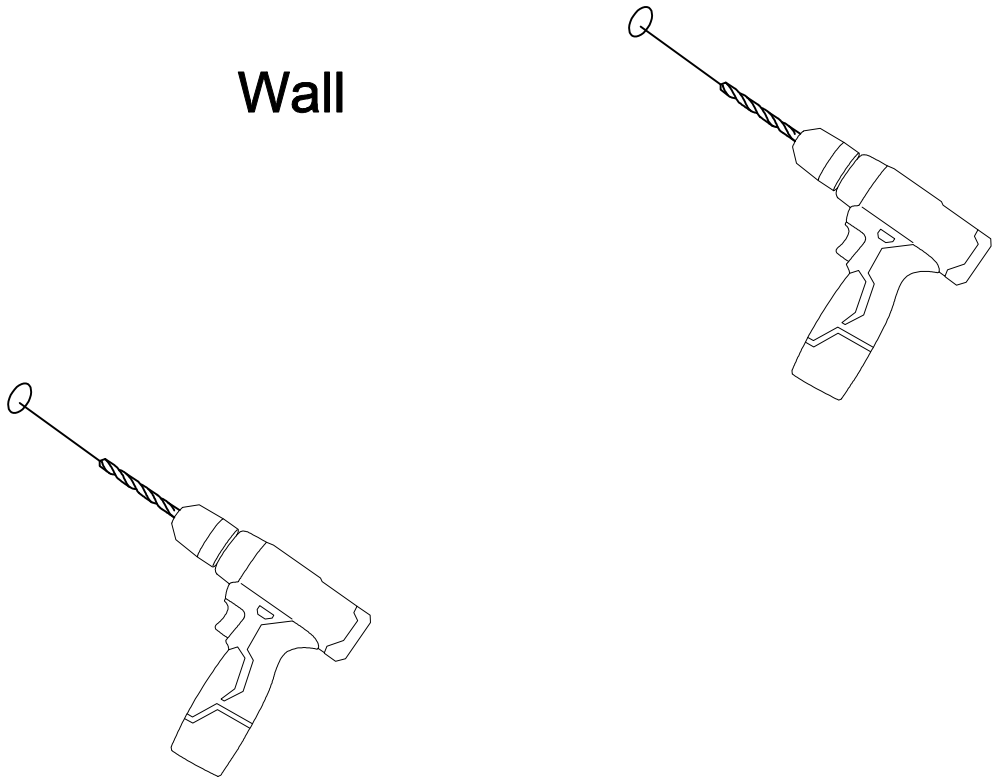
# Step 33

T	V
	
X2	X2



## Step 34

Wall

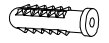


**Make FOUR holes 30MM deep**

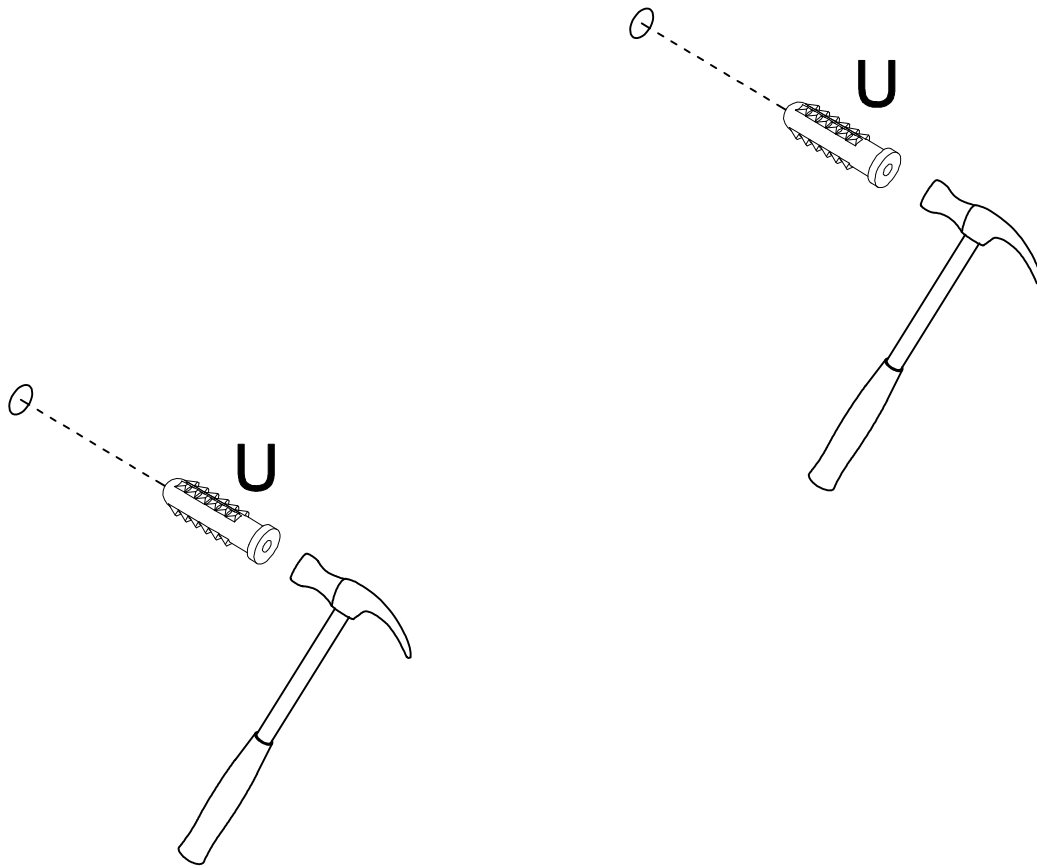
# Step 35

Wall

U

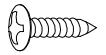


X2

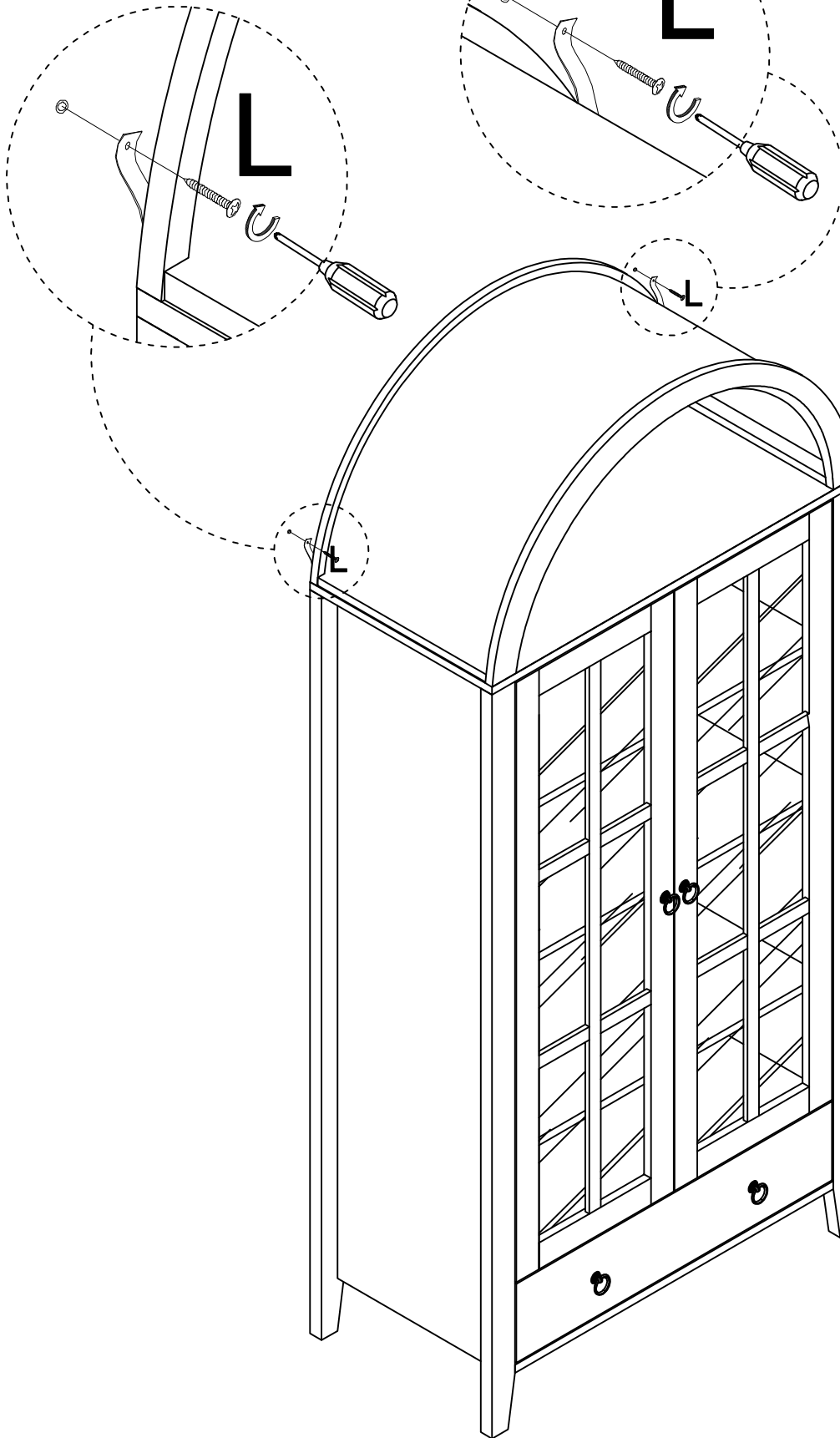


# Step 36

L



X2



Step 37

