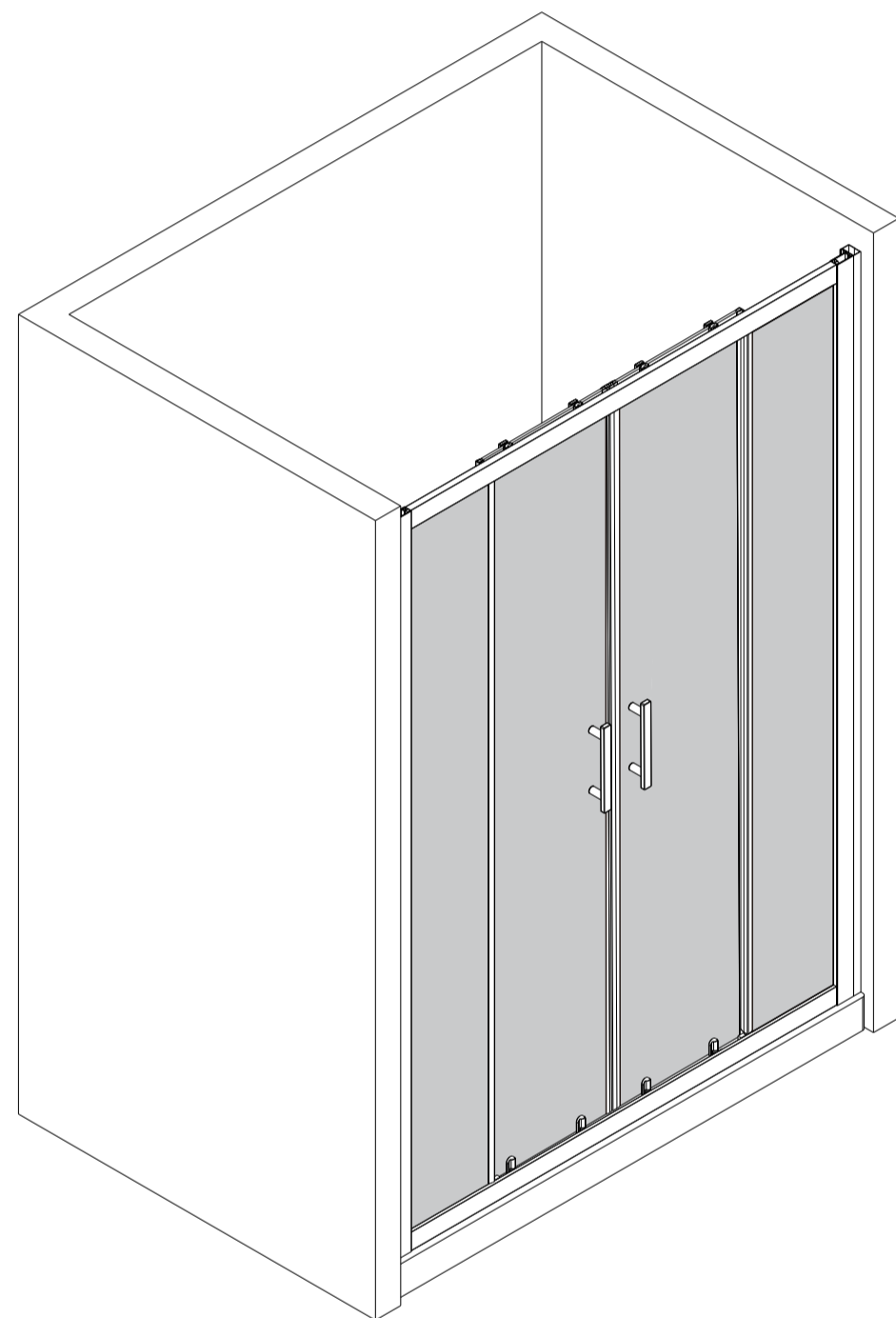
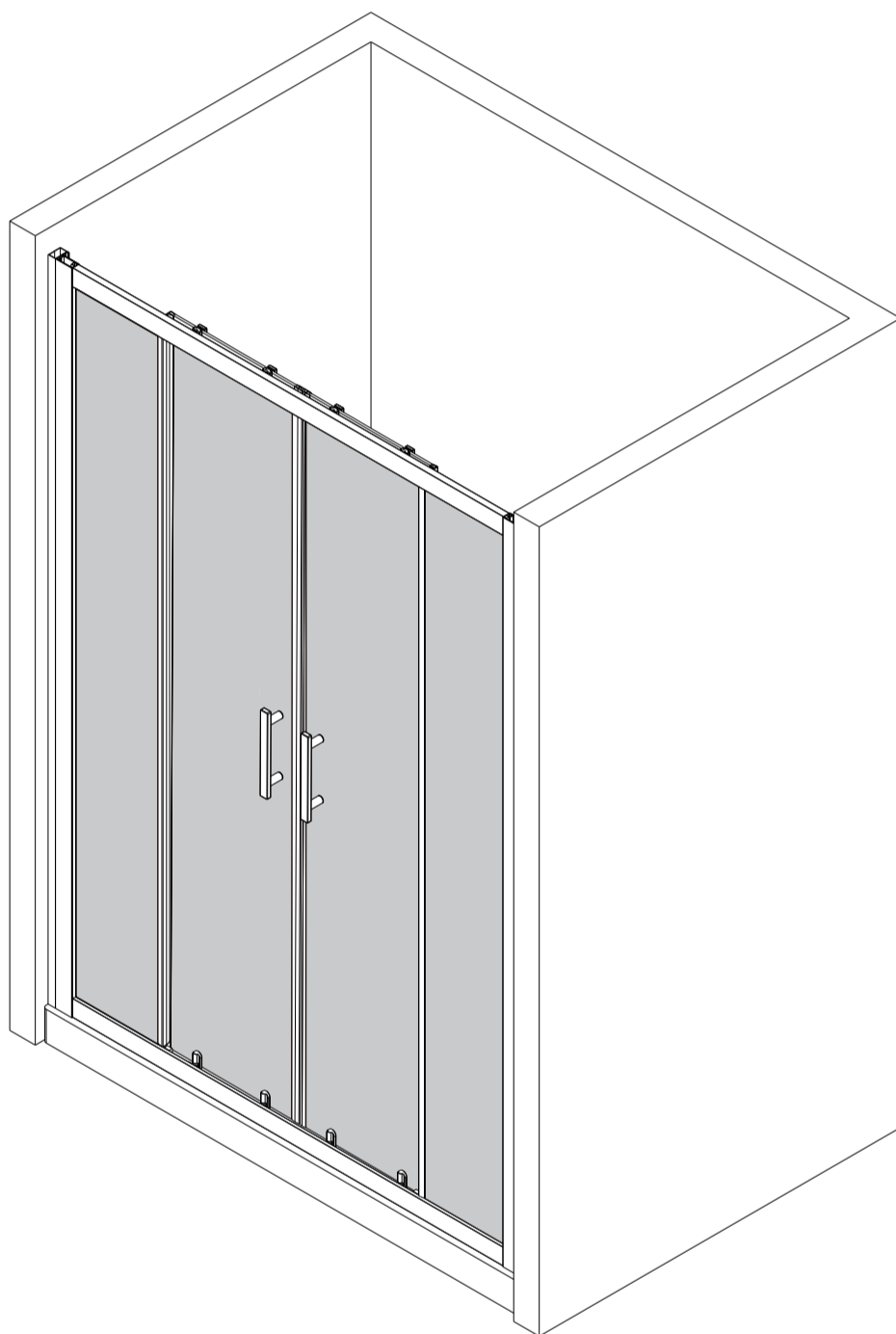


Serial Number: SDS11-22

Shower Door Installation Instructions



**Please do not return the product to the store.
Contact us with any questions.**

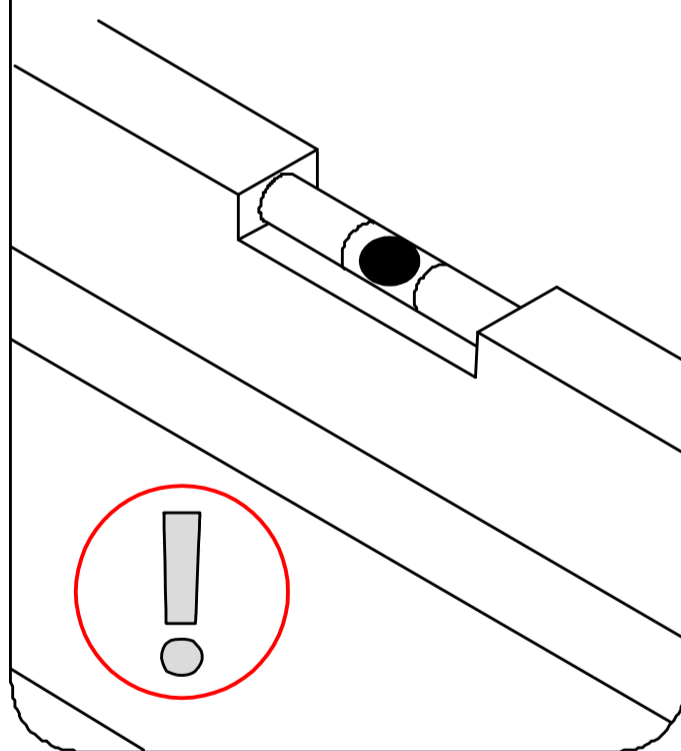
Model Specific Preparation

! REQUIRED:

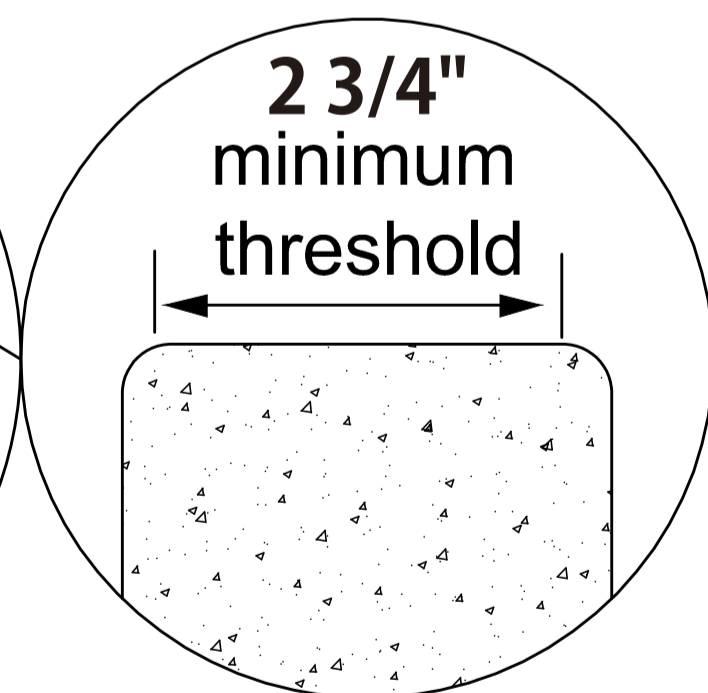
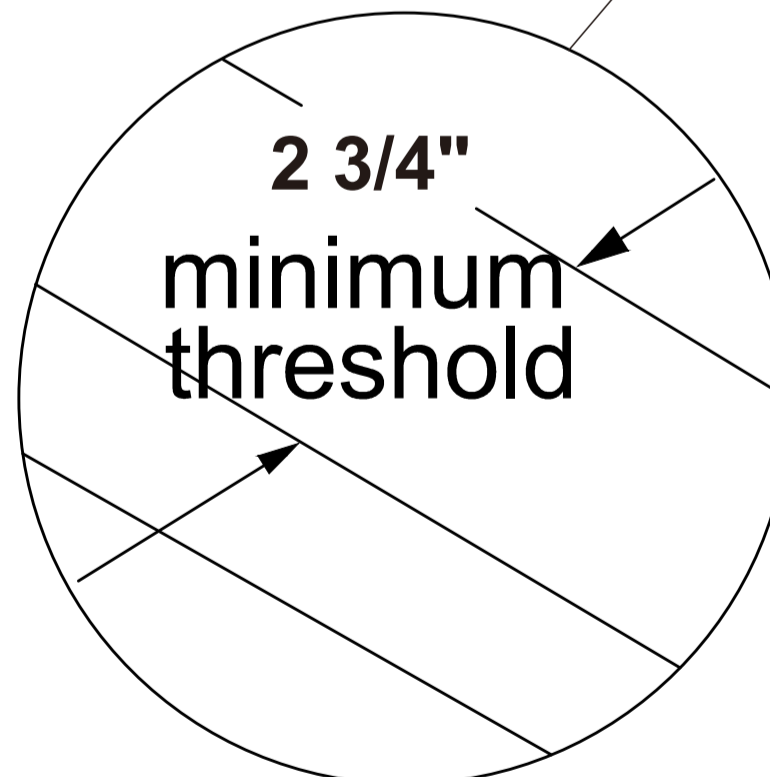
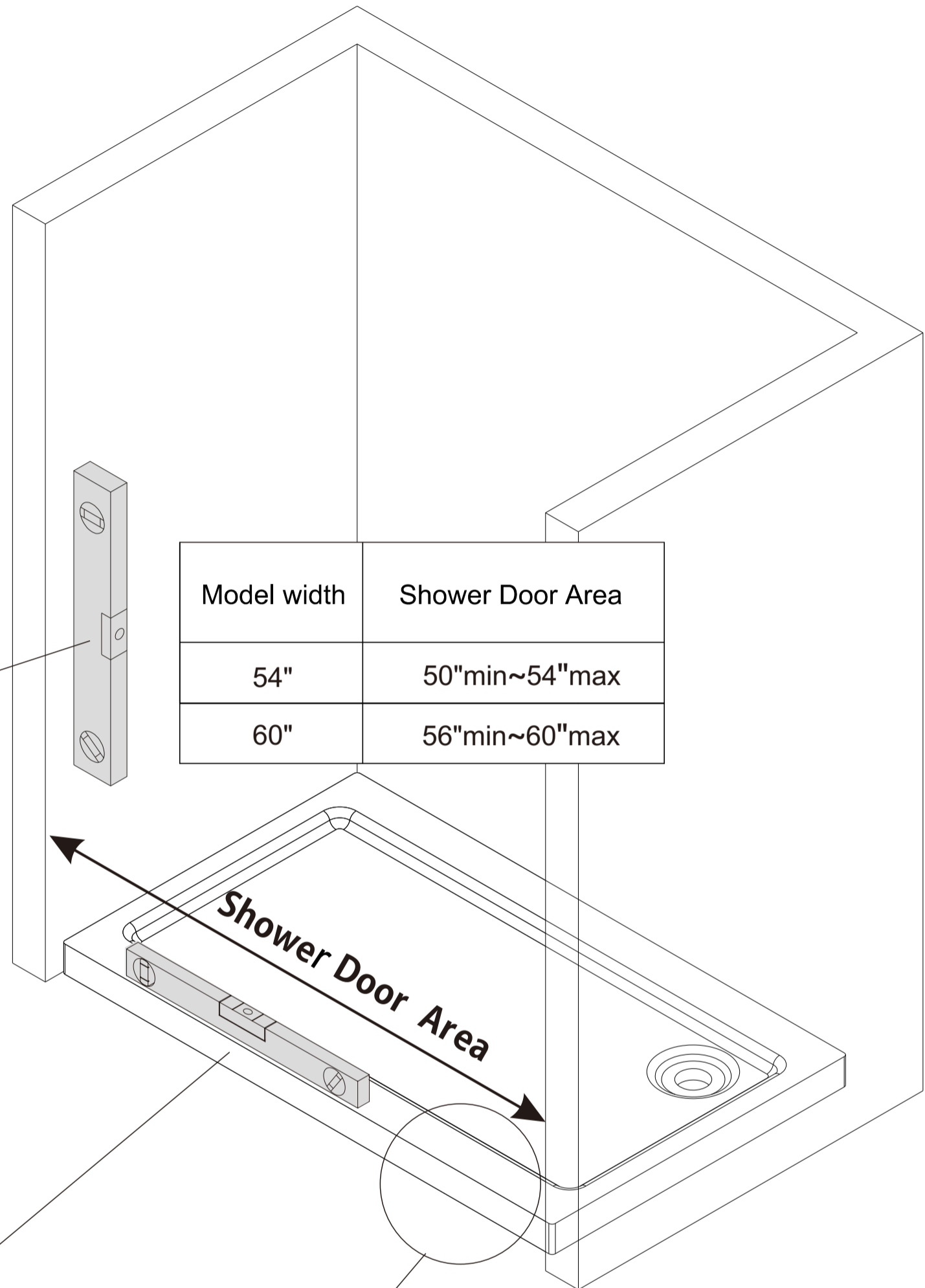
Verify threshold and wall with a level.

1/4"(6mm) Maximum out of plumb adjustment from top to bottom

Threshold must be level.

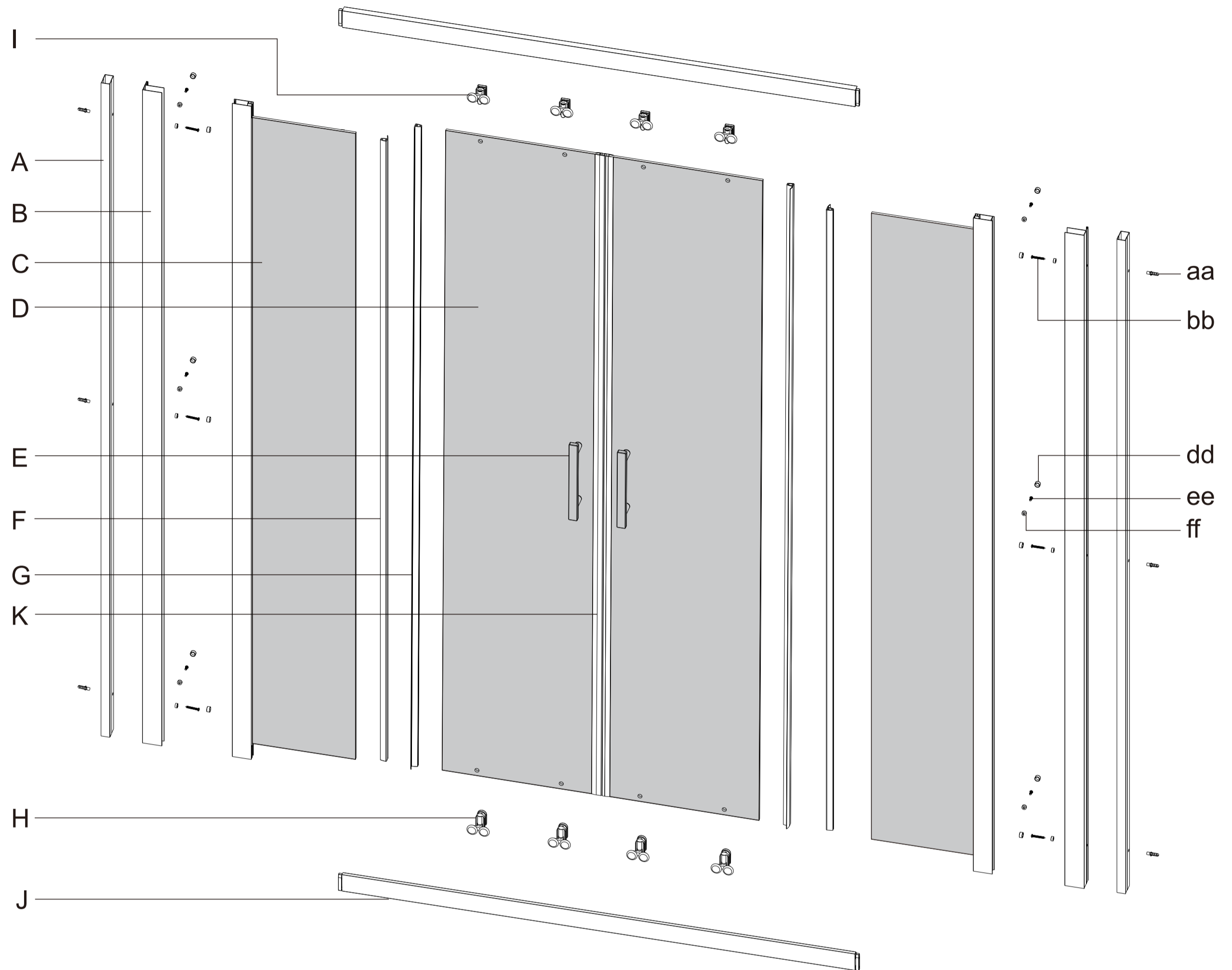


Model width	Shower Door Area
54"	50"min~54"max
60"	56"min~60"max



SHOWER DOOR

PACKAGE CONTENT



PACKAGE CONTENT

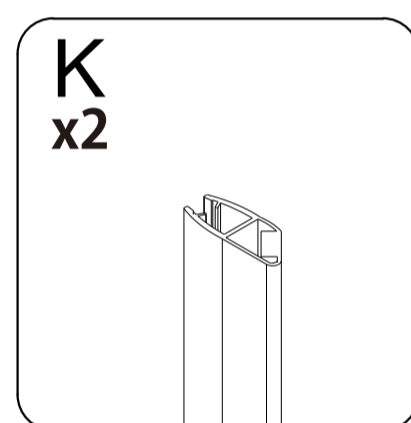
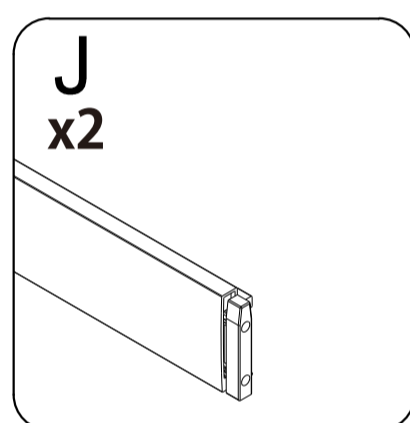
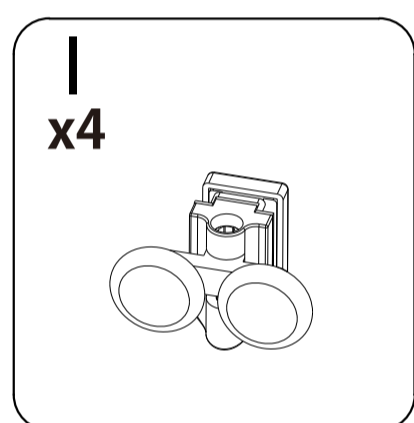
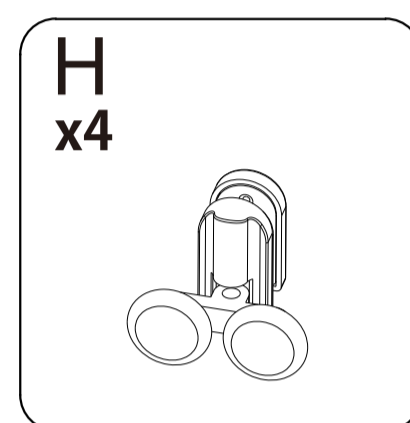
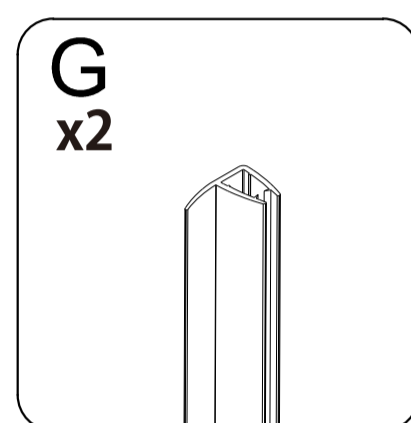
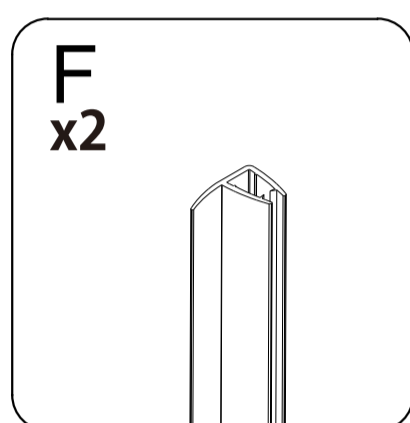
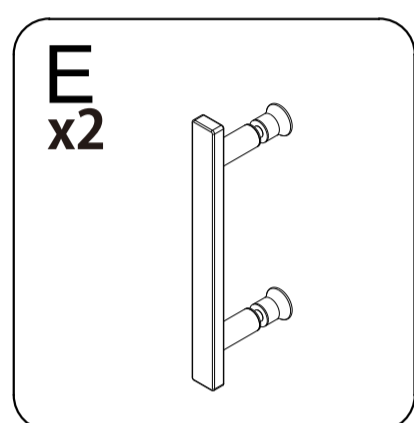
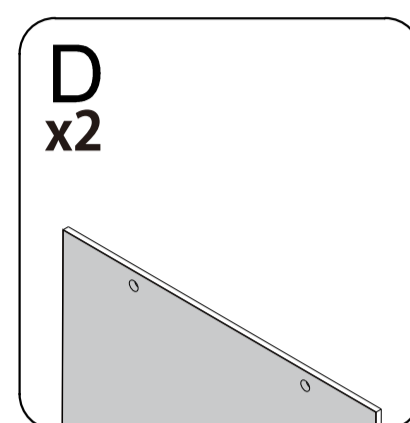
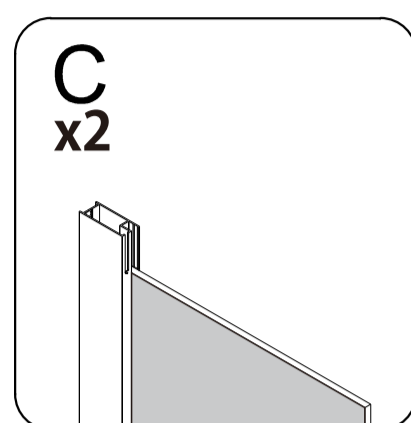
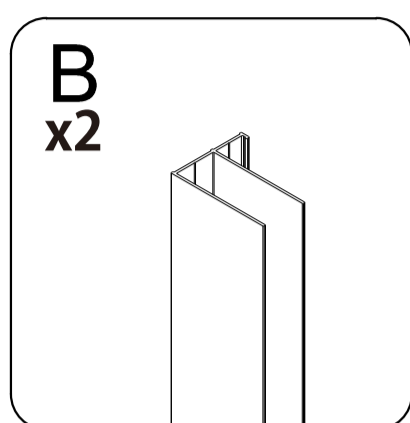
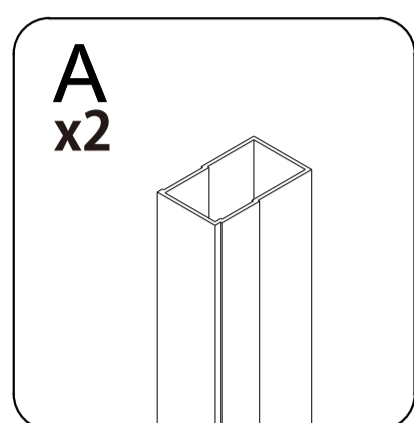
PART#	DESCRIPTION	QTY
A	Wall Jamb extension (To be used if needed only)	2
B	Wall Jamb	2
C	Stationary Glass	2
D	Glass Door	2
E	Handle	2

PART#	DESCRIPTION	QTY
F	Anti-Water Strip	2
G	Anti-Water Strip	2
H	Bottom Rollers	4
I	Top Rollers	4
J	Guide Rail	2
K	Magnetic Strip	2

NOTE

Inspect all parts for missing prior to installation!
Contact us for any part missing.

PACKAGE CONTENT

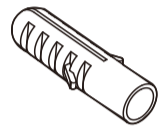


HARDWARE CONTENT



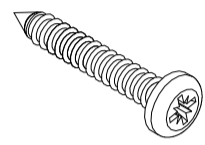
Additional spare parts are included.

aa



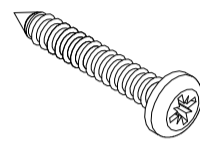
Wall anchor
Ø6x28mm
7 pcs

bb



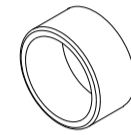
Screw
ST4X30mm
7 pcs

cc



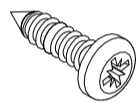
Screw
ST4X50mm
7 pcs

dd



Screw cap
12 pcs

ee



Metric Screw
ST4X16mm
6 pcs

ff



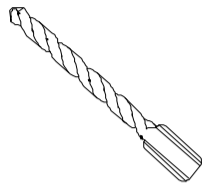
Washer
Φ10XΦ5X1.0
12 pcs

NOTE

Inspect all parts for missing prior to installation!
Contact us for any part missing.

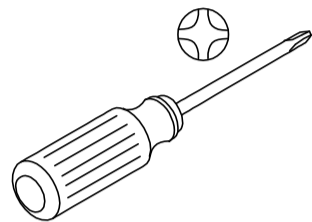
TOOLS REQUIRED

Drill Bits

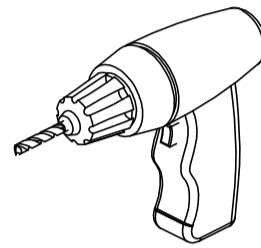


Ø1/8" & Ø1/4" (3&6mm) dia.
HSS

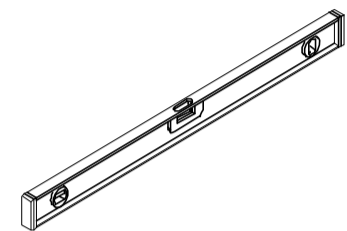
Phillips screw driver



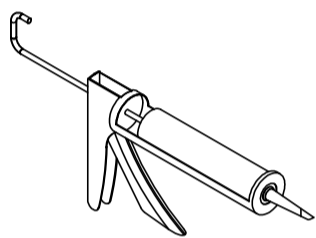
Electric hand drill



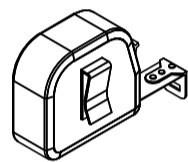
Level



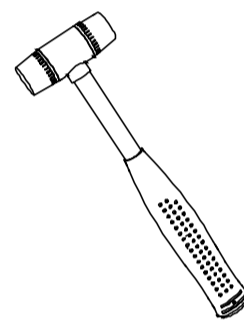
Caulkinggun



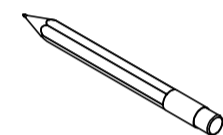
Measuring Tape



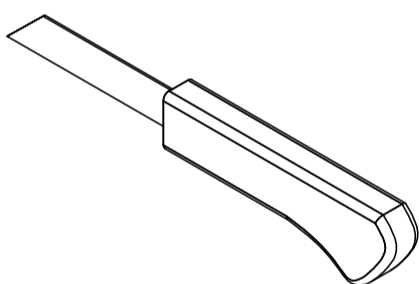
Soft Head Hammer



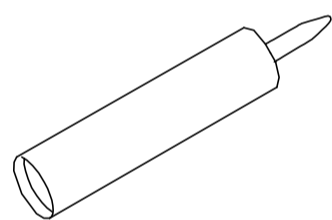
Marking Pencil



Utility Knife



Sealant



MASONRY DRILL BIT FOR TILE
Ø6mm



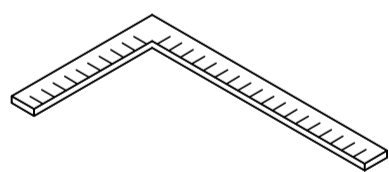
Safety Glasses



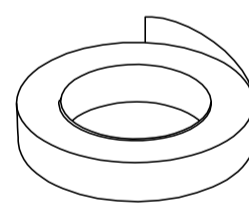
Gloves



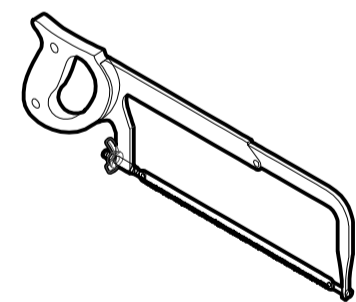
Carpenter's Squarer



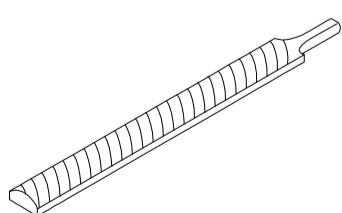
Masking or painter's tape



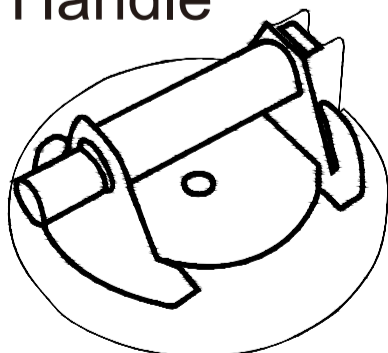
Hack Saw



Metal File



Glass suction Handle



SAFETY INFORMATION

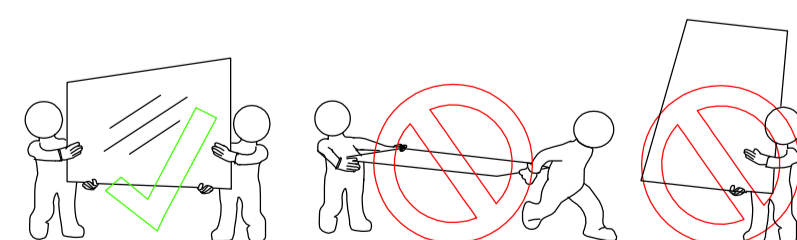
CAUTION

Please carefully read the following important safety information before handling or installing this shower door . There is a risk of serious injury while handling this product.

To minimize these risks, please note:

- Always wear safety glasses and gloves while handling.
- Always follow the installation instructions.
- Inspect glass for damage before installation.
- Extreme caution should be taken while handling the glass during installation as the tempered glass may shatter if in contact with a hard surface.
- Do not cut or modify the tempered glass as it will shatter if cut.
- Carefully remove product from packaging and keep packaging until installation is complete.
- Inspect all parts for damage or missing; if there is damage or part missing to the unit prior to installation, please contact customer service at the number provided in this guide.
- Cover the drain with tape to prevent the loss of small parts.
- The shower base and finished walls should be installed before beginning the shower door installation.
- During the installation,protect the shower floor with a drop cloth to avoid damage.
- This product should be installed by two people who are familiar with construction requirements. Professional installation is recommended!
- Keep this installation manual for future reference.

NOTE: Two people should perform this installaton.

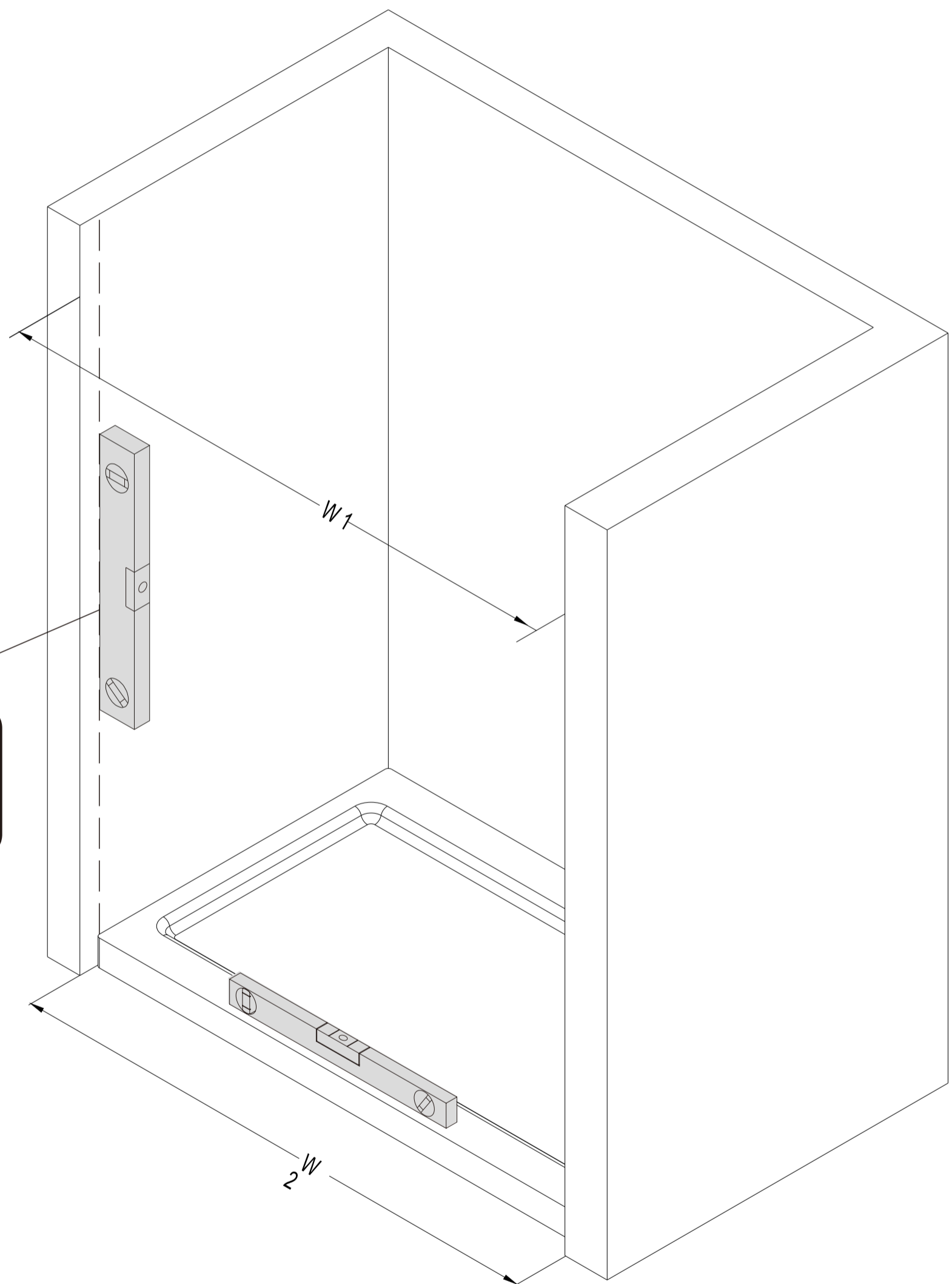


1 Measure the finished opening width.

NOTE

- 1. Measure the finished opening width at the bottom and at the model height.
- Use these dimensions as "W1" (top) and "W2"(bottom) in step #2.
- 2. Also check the threshold for level and the walls for plumb.

1/4"(6mm) Maximum out of plumb adjustment from top to bottom



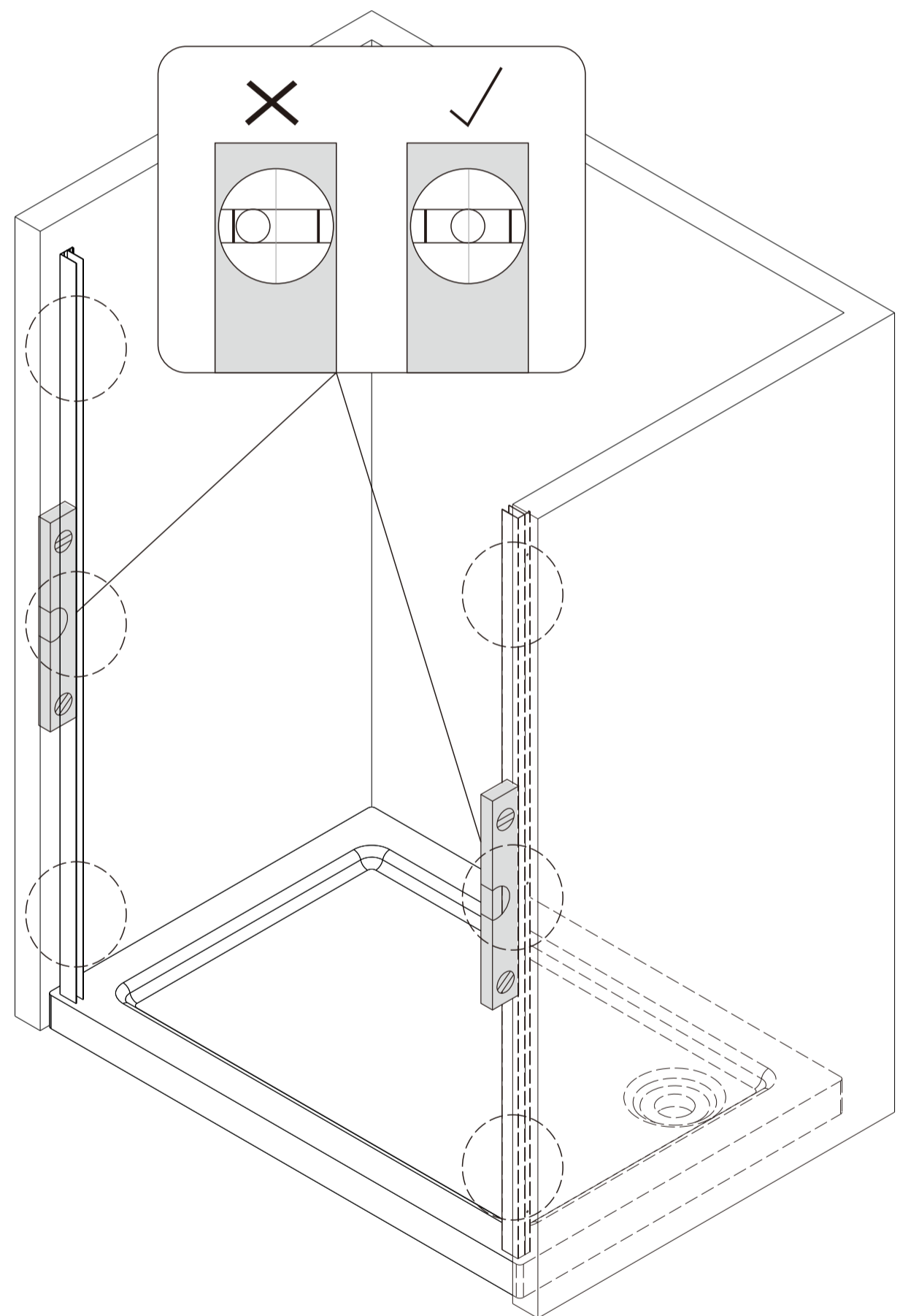
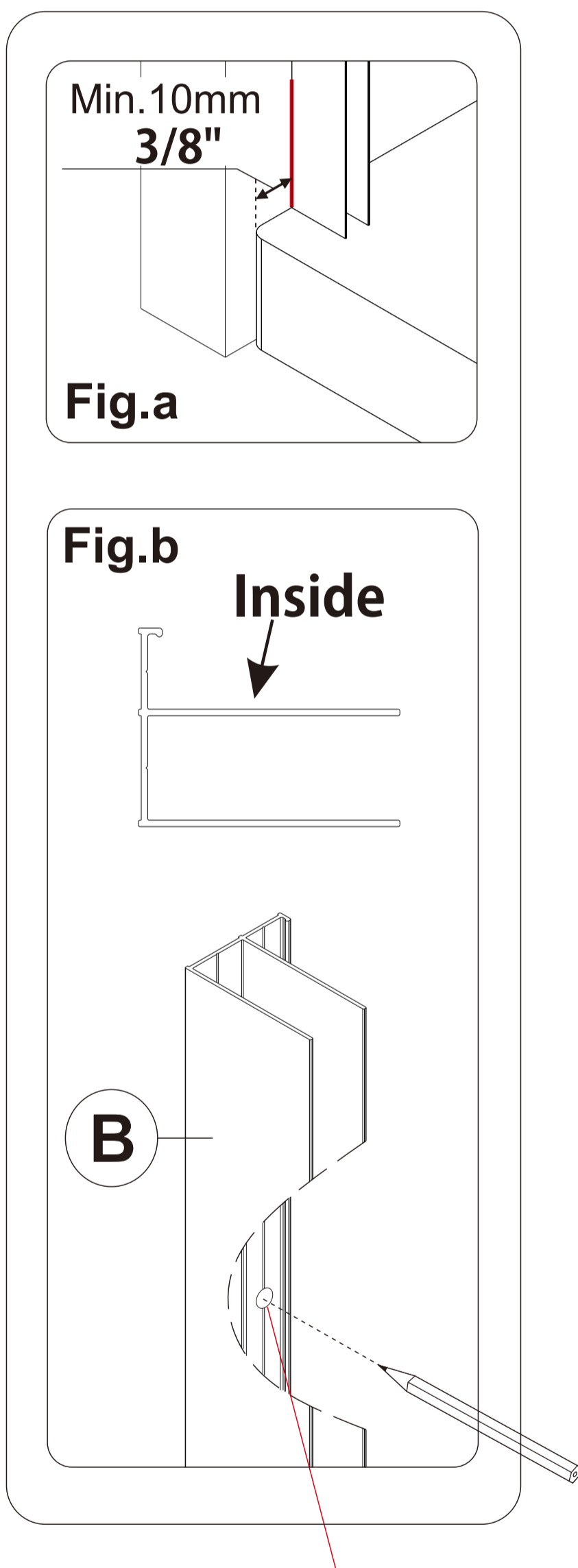
_____ Finished opening top (W1)

_____ Finished opening bottom (W2)

2-1 Determine your step in from the edge of tray and plumb your **Wall Jamb(B)**.

NOTE

1. Determine your step in from the edge of tray (3/8" (10mm) is recommended) and mark the position as Fig.a.
2. Plumb your **Wall Jambs(B)** on each side and then mark screw holes position as Fig.b.

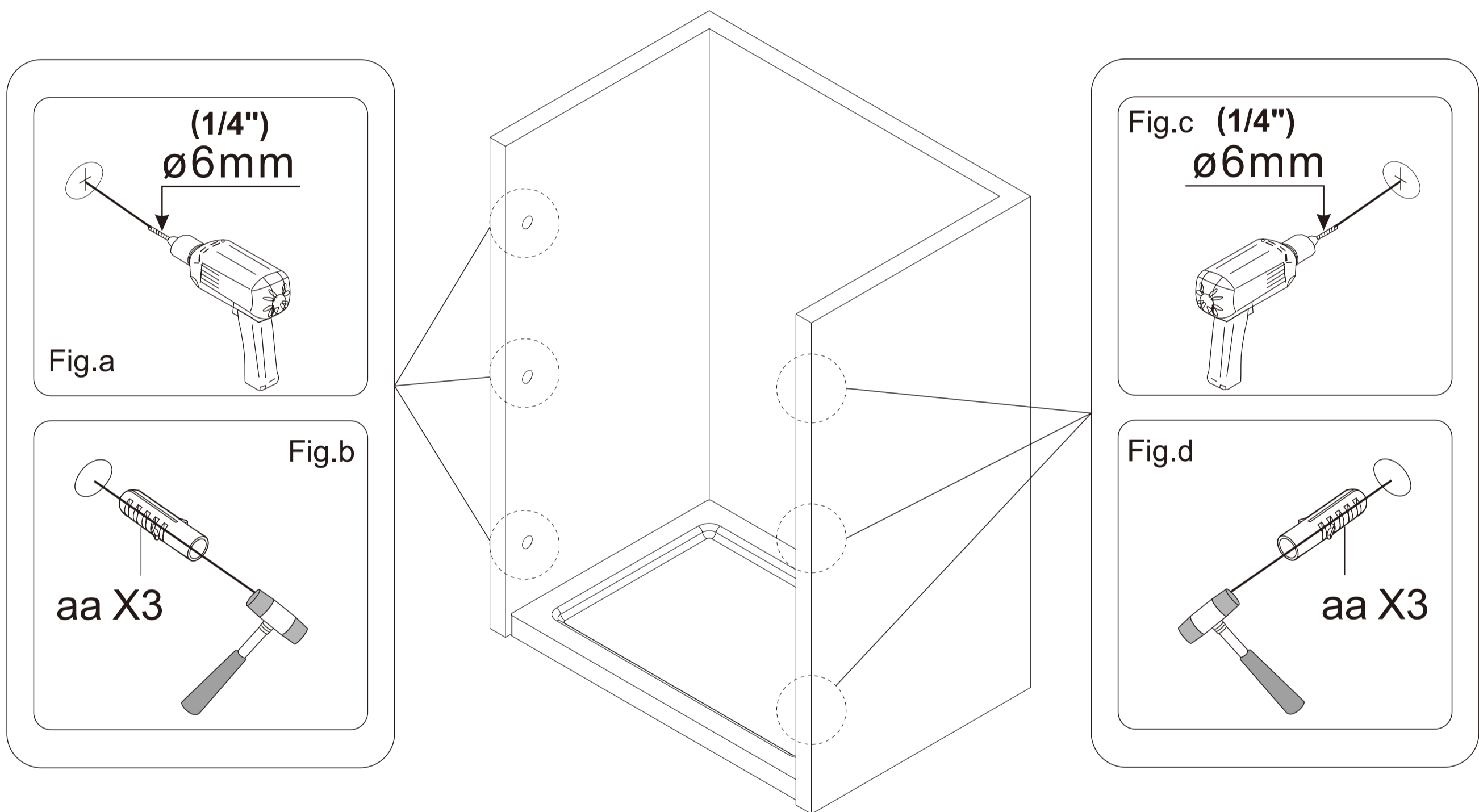


Note: mark as the outline of profile hole

2-2 Install **Wall Anchor(aa)**

NOTE

1. Drill holes with ϕ 6mm(1/4") drill bit as Fig.a and Fig.c .
2. Insert **Wall Anchors(aa)** as Fig.b and Fig.d .



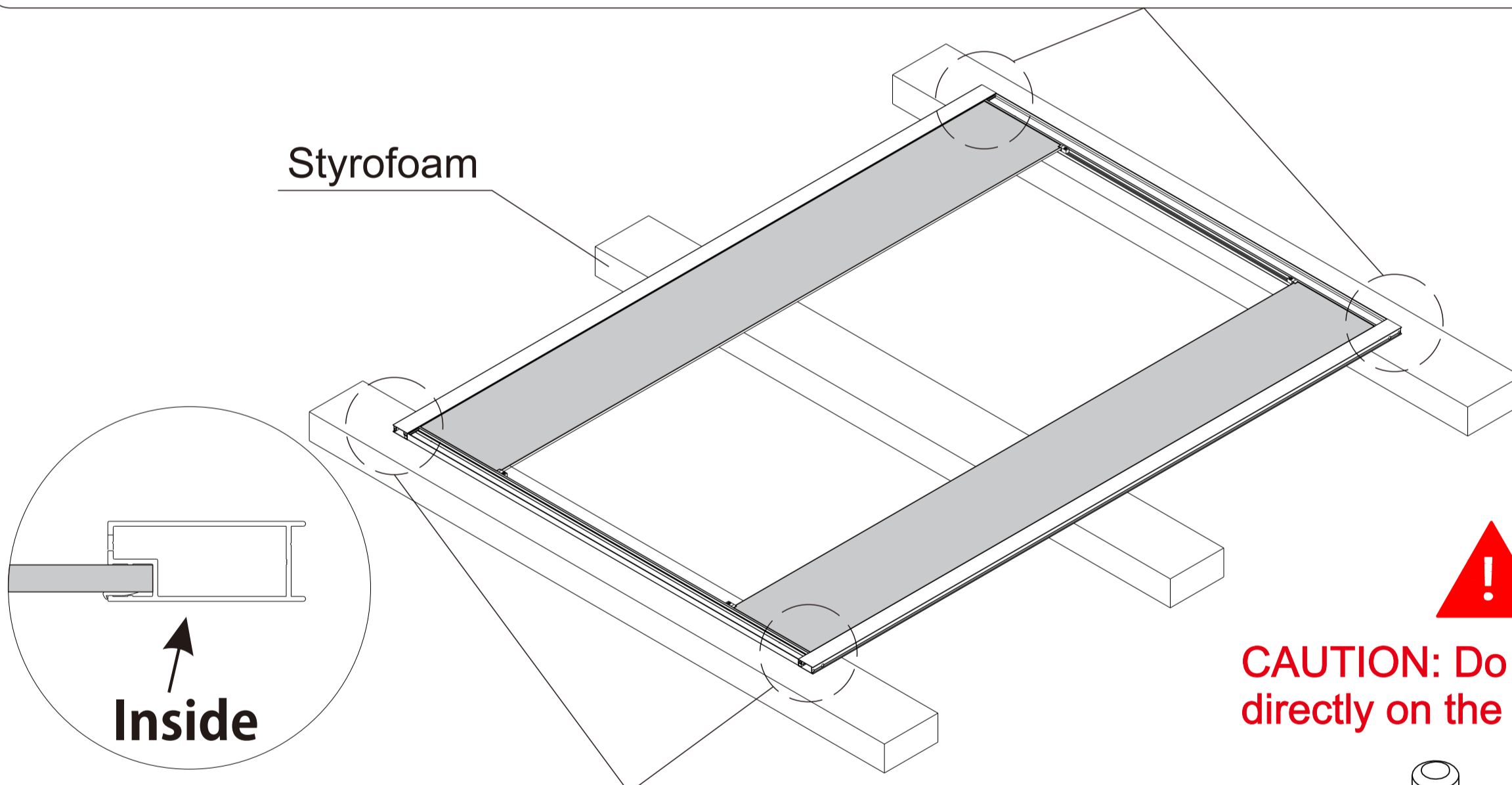
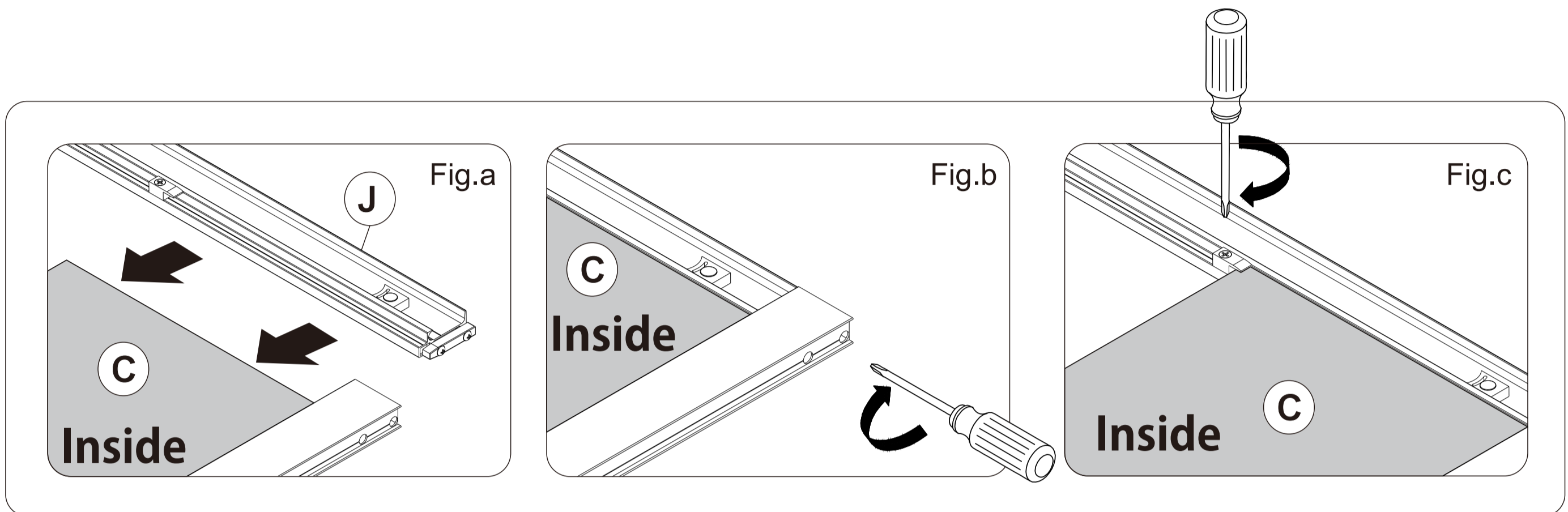
NOTE

- If a Stud is present behind the wall:
drill ϕ 1/8" (3mm) pilot holes into the stud and use the ST4.0x30mm **Screws(cc)**
OR
- If NO Stud is present behind the wall:
drill ϕ 1/4" (6mm) holes and insert the **Wall Anchors(hh)** and use the ST4.0x30mm **Screws(cc)**.

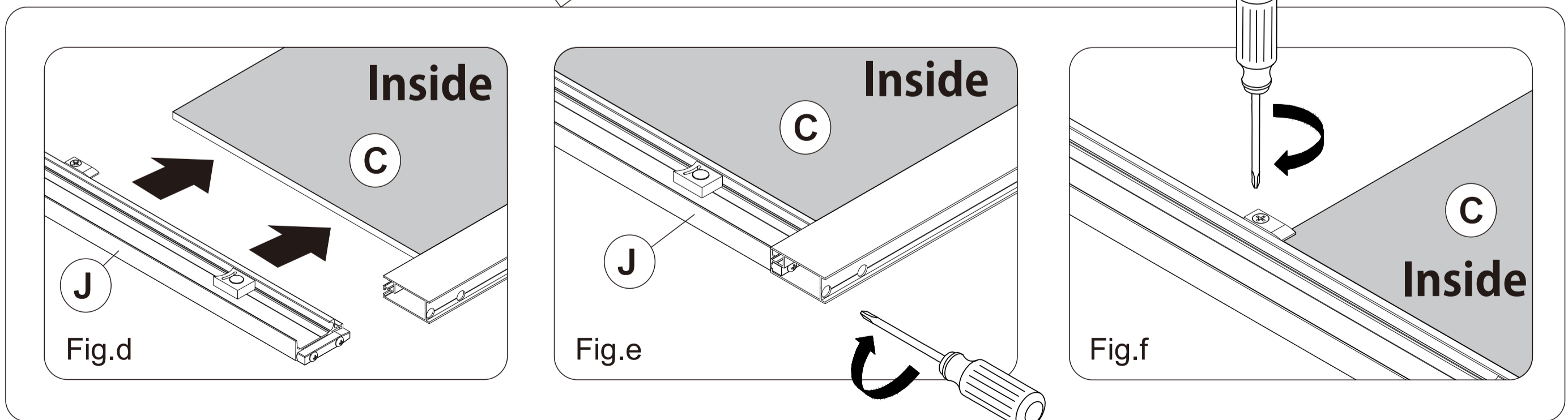
3 Assembling and Stationary Glass (C)

NOTE

1. Install the **Guide Rail (J)** on the **Stationary Glass (C)** as Fig.a and Fig.d.
2. Rotate the screws with a screwdriver to fix the **Guide Rail (J)** and the **Stationary Glass (C)** as Fig.b and Fig.e.
3. Secure the glass clip as Fig.c and Fig.f

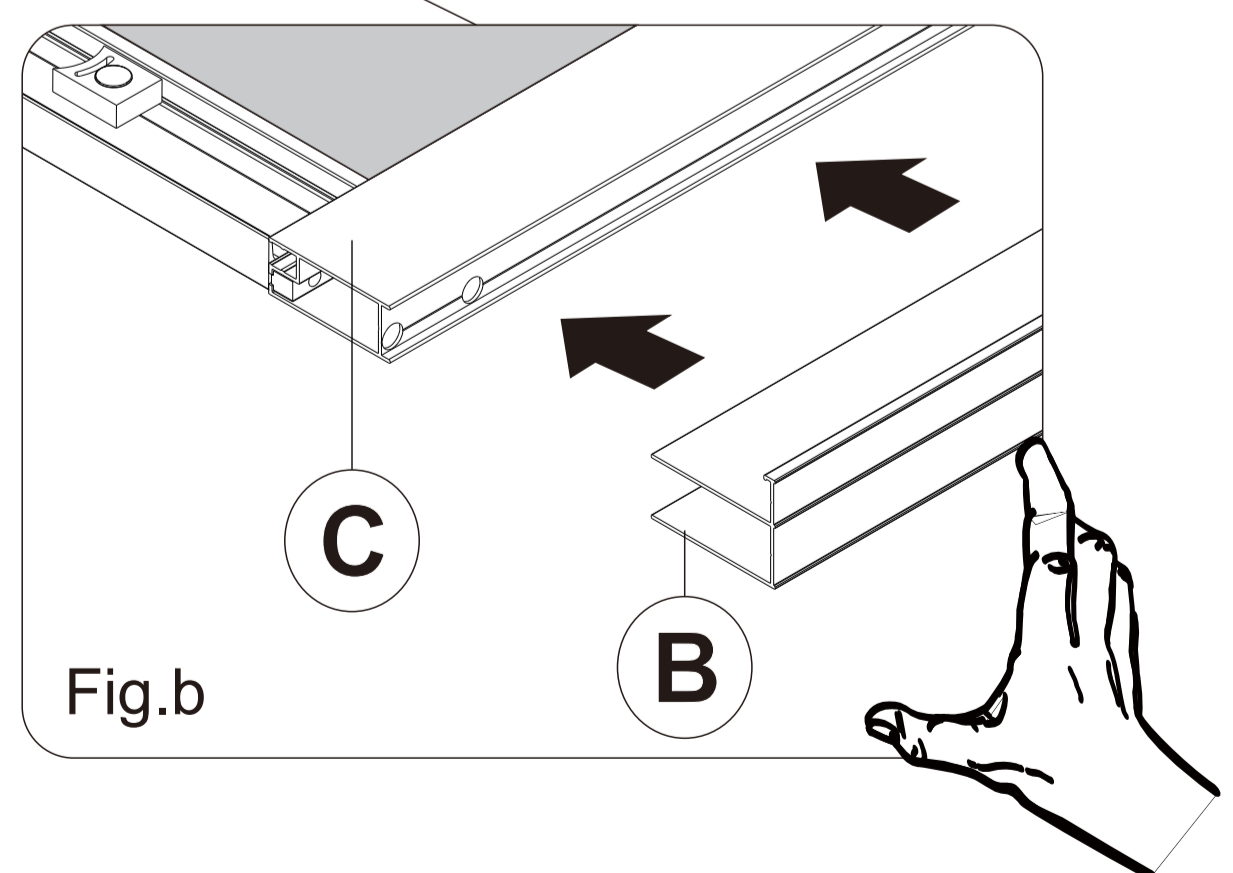
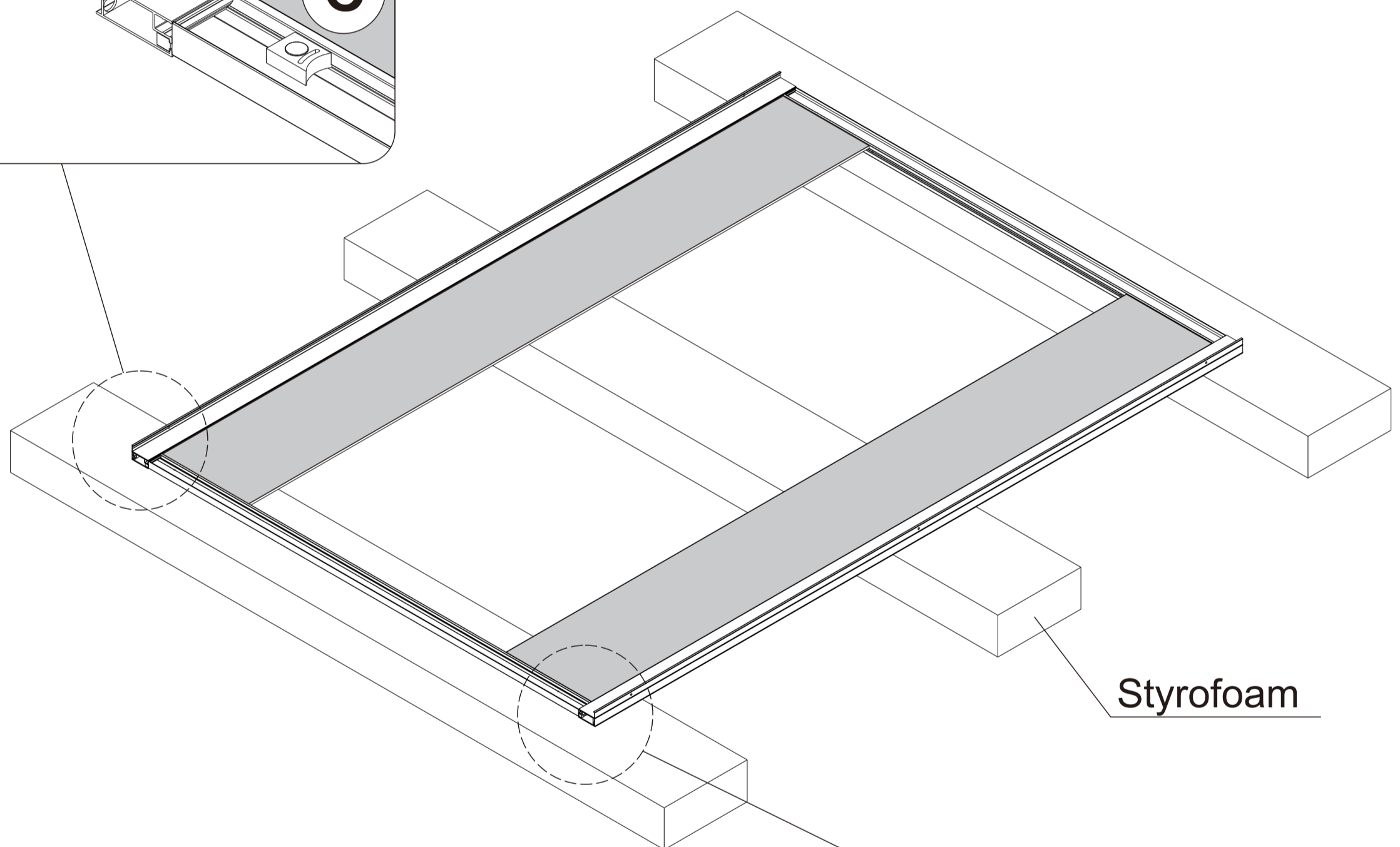
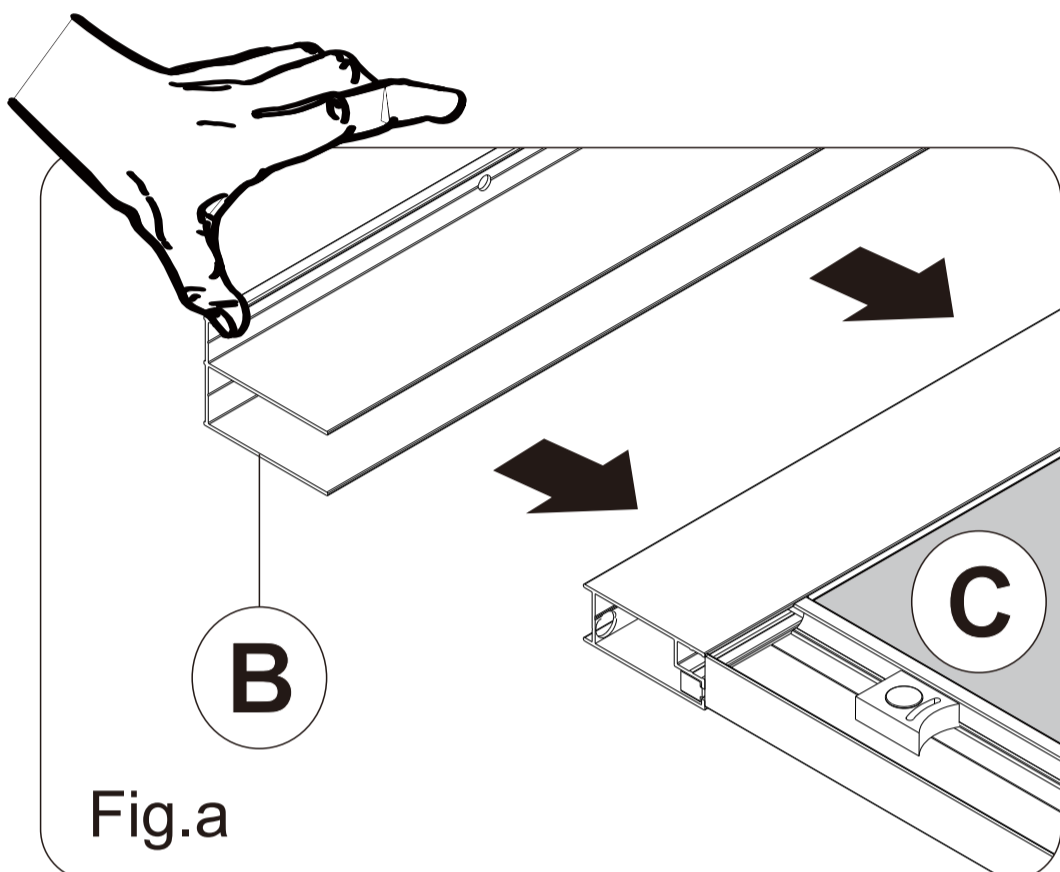


CAUTION: Do not put glass directly on the ground



4 Install Wall Jamb(B)

NOTE 1. Install the **Wall Jamb (B)** on the **Stationary Glass (C)** as Fig.a and Fig.b.

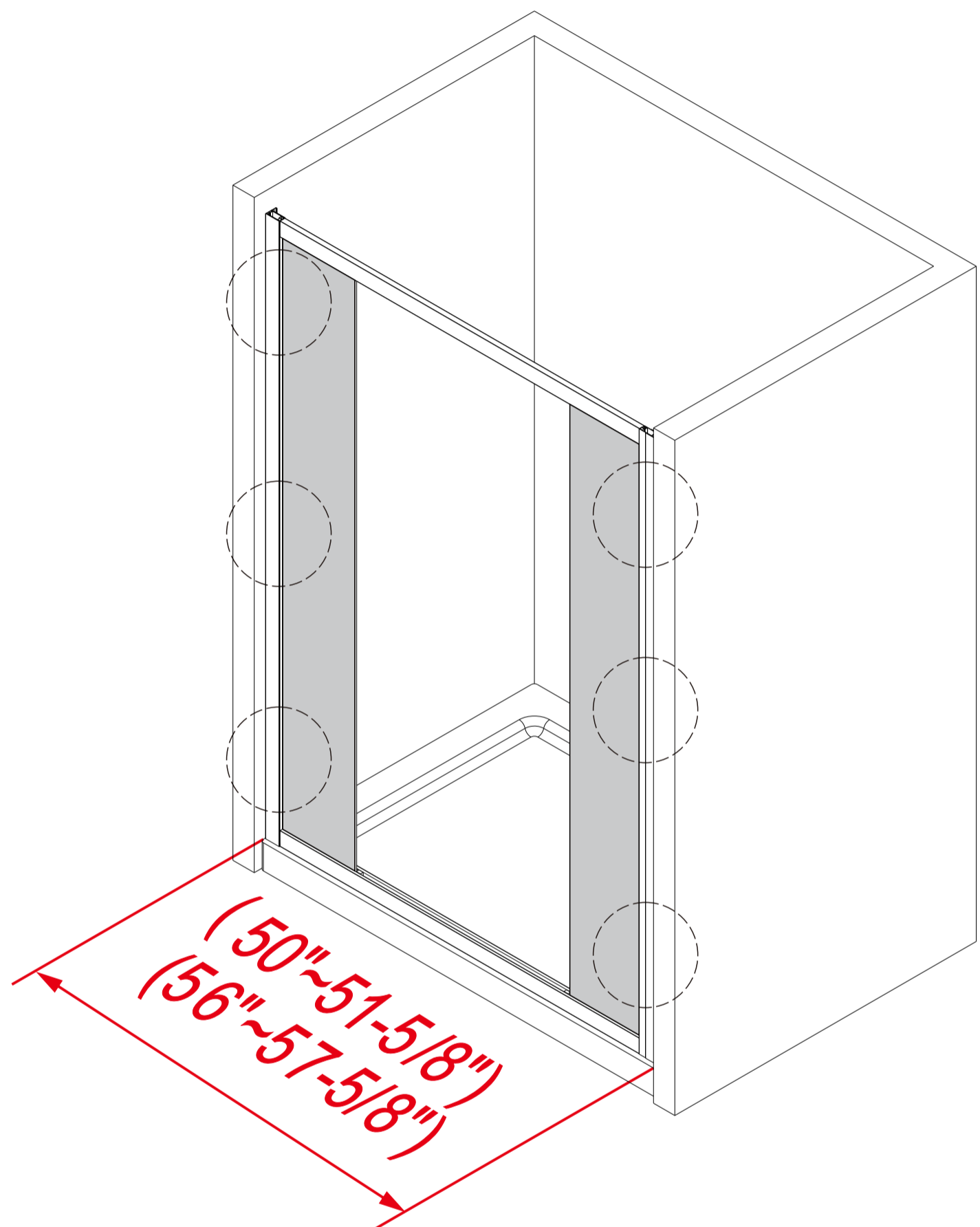
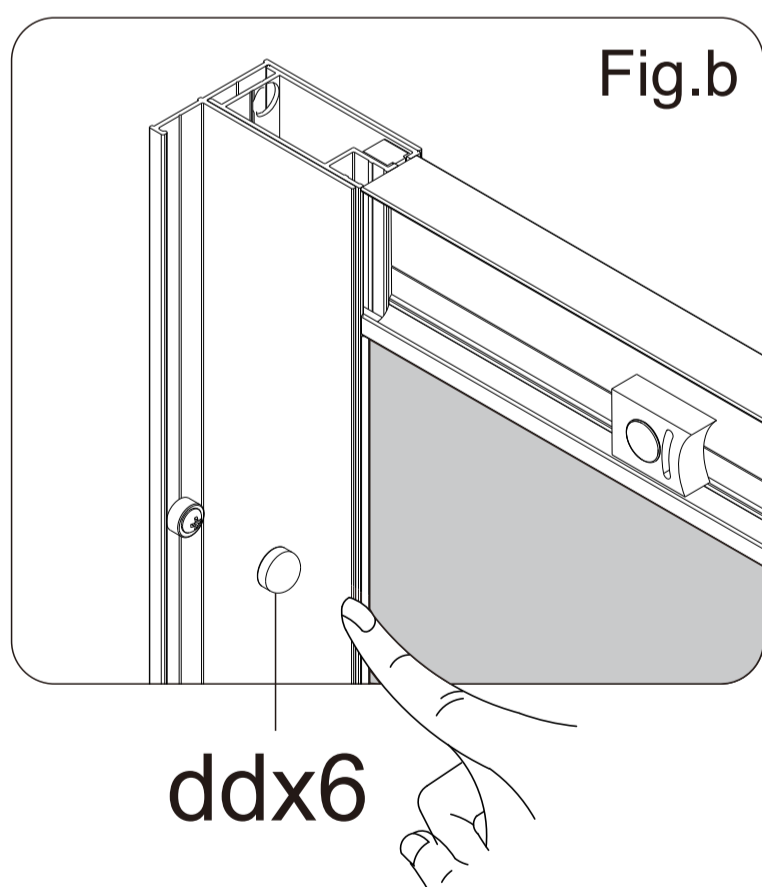
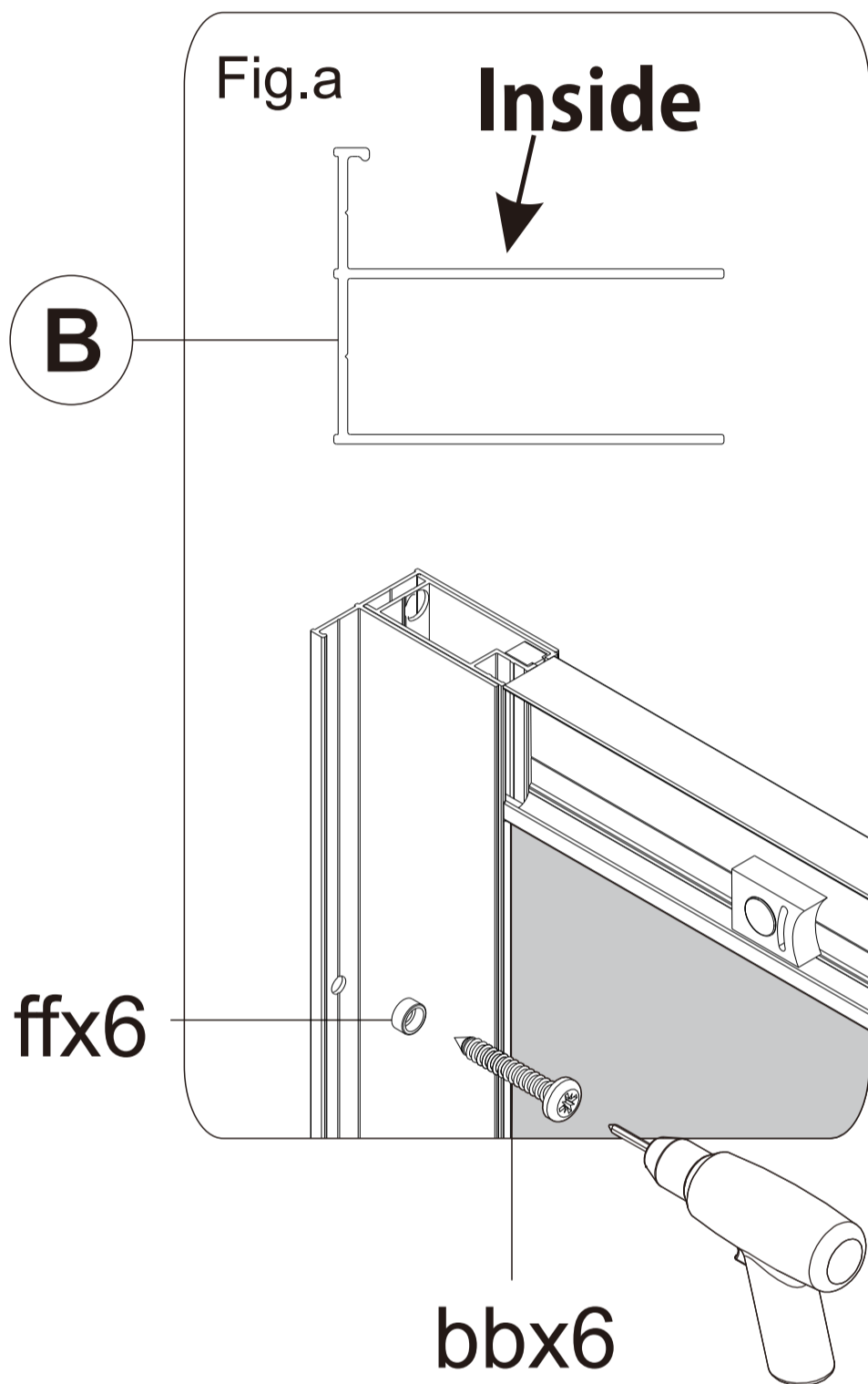


CAUTION: Do not put glass directly on the ground

5 Install Stationary Door(D)

NOTE

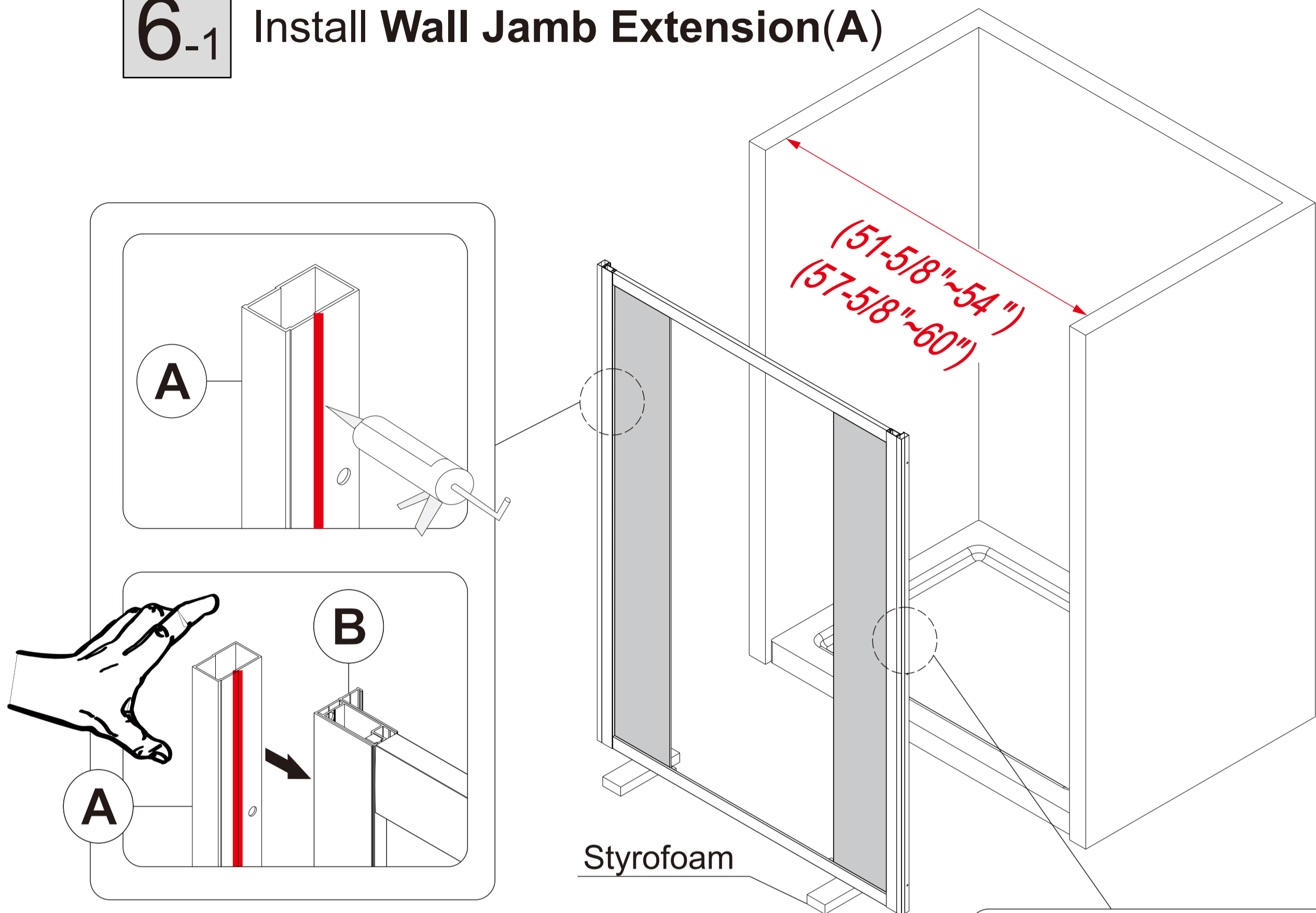
1. The model size is within this range, and only the **Wall Jamb(B)** needs to be installed.
2. Fix the **Wall Jamb (B)** to the wall with **screws (bb)** as Fig.a .
3. Install **Screw caps(dd)** as Fig.b .



This page is only suitable for 50"min~51-5/8"max and 56"min~57-5/8"max sizes, please skip to pages 13 and 14 for this size

Model width	Installation of Wall Jamb only (C) Shower Door Area	Installation of wall Jamb(A) and wall Jamb(B) Shower Door Area
54"	50"min~51-5/8"max	51-5/8"min~54"max
60"	56"min~57-5/8"max	57-5/8"min~60"max

6-1 Install **Wall Jamb Extension(A)**



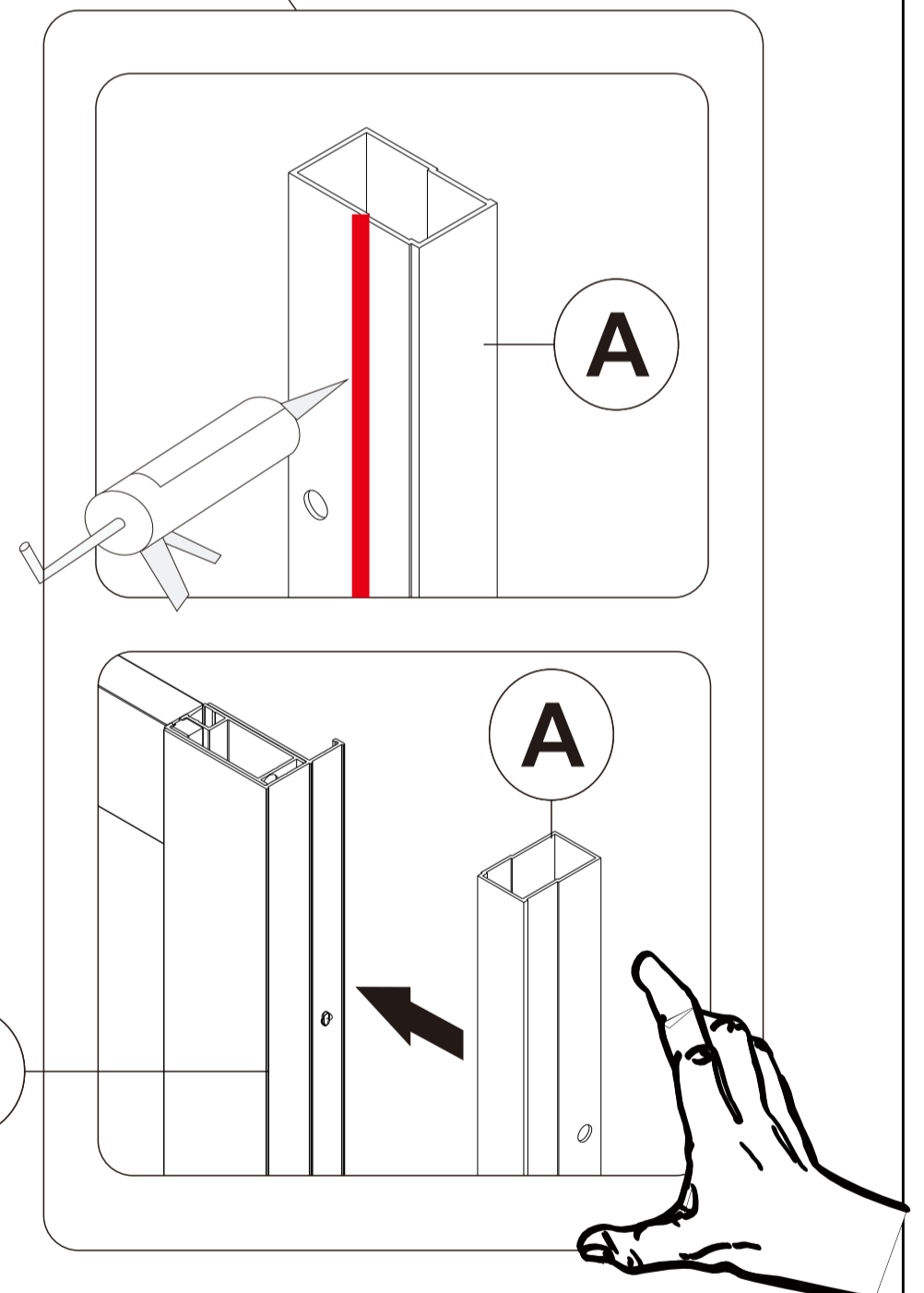
NOTE

1. The model dimensions are within this range, and the **Wall Jamb Extension(A)** and **Wall Jamb (B)** are installed

2. To install the **Wall Jamb Extension(A)**, apply a strip of glass glue to the side that comes into contact with the **Wall Jamb(B)** to prevent water leakage as Fig.a、 Fig. b、 Fig.c and Fig.d



This instruction manual uses the maximum size as a reference, so please install the wall jamb according to the appropriate size

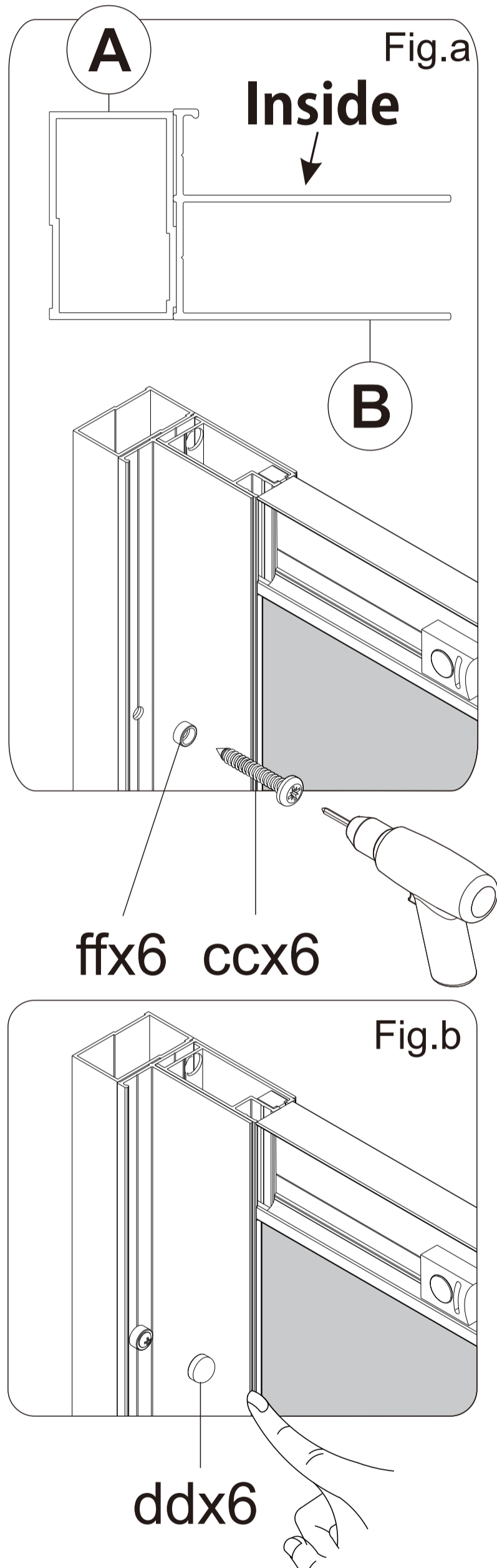


Model width	Installation of Wall Jamb only (C) Shower Door Area	Installation of wall Jamb(A) and wall Jamb(B) Shower Door Area
54"	50"min~51-5/8"max	51-5/8"min~54"max
60"	56"min~57-5/8"max	57-5/8"min~60"max

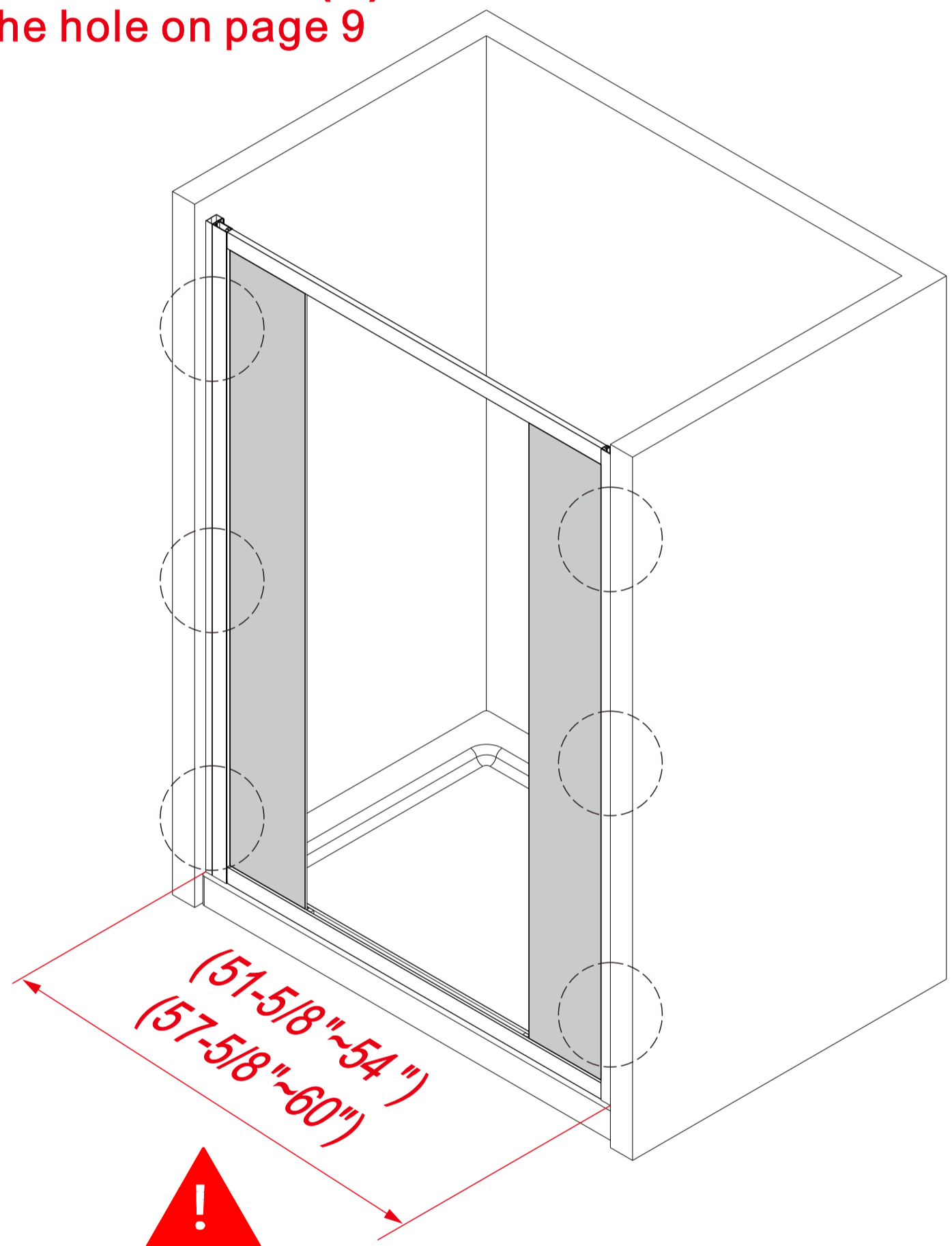
6-2 Install Stationary Door(D)

NOTE

1. As shown in Figure a, fix the **Wall Jamb Extension (A)** and **Wall Jamb (B)** on the wall with **screws (cc)** as Fig.a.
2. Install **Screw caps(cc)** as Fig.b .



If you want to install the **Wall Jamb Extension(A)**, follow the hole on page 9



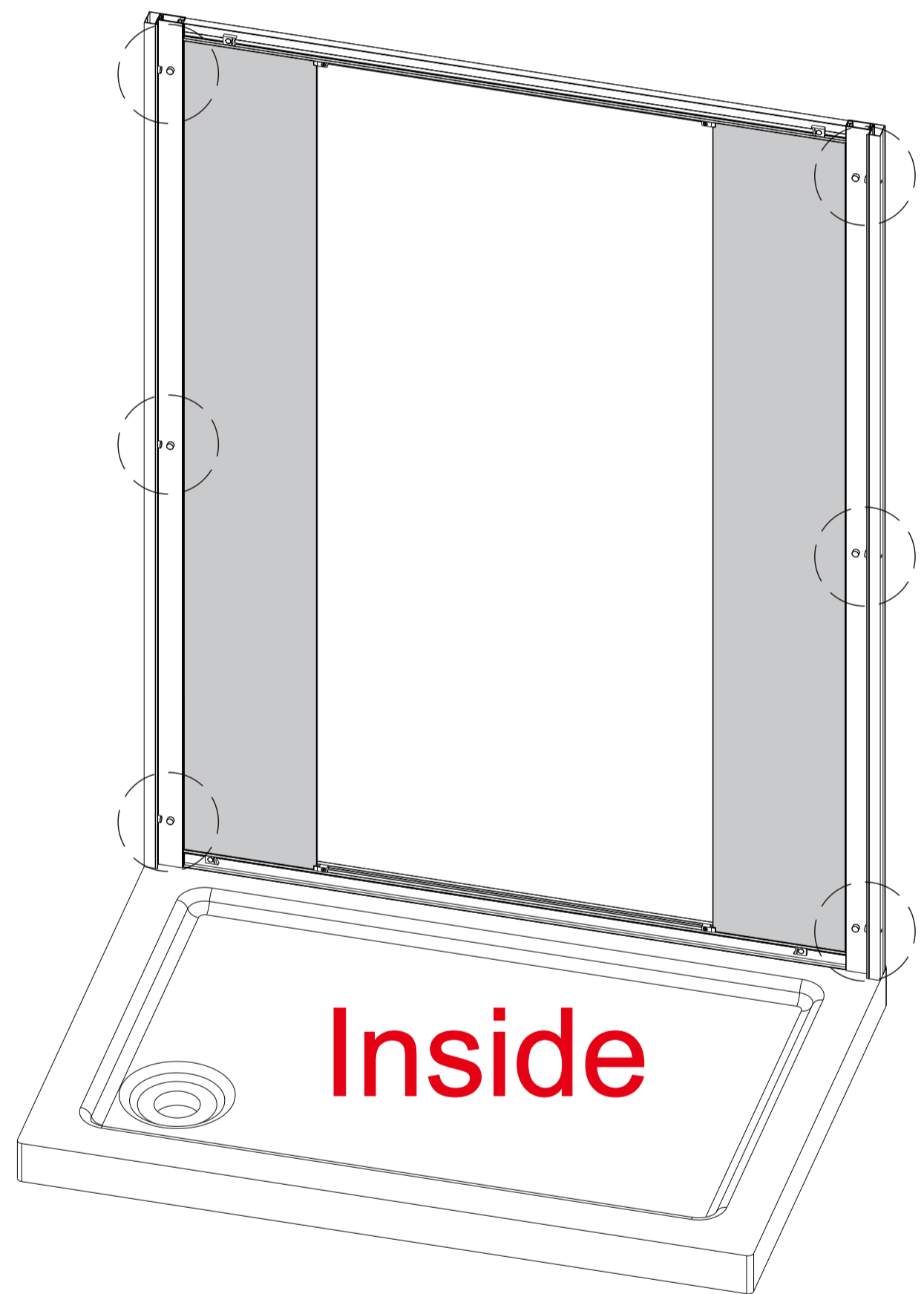
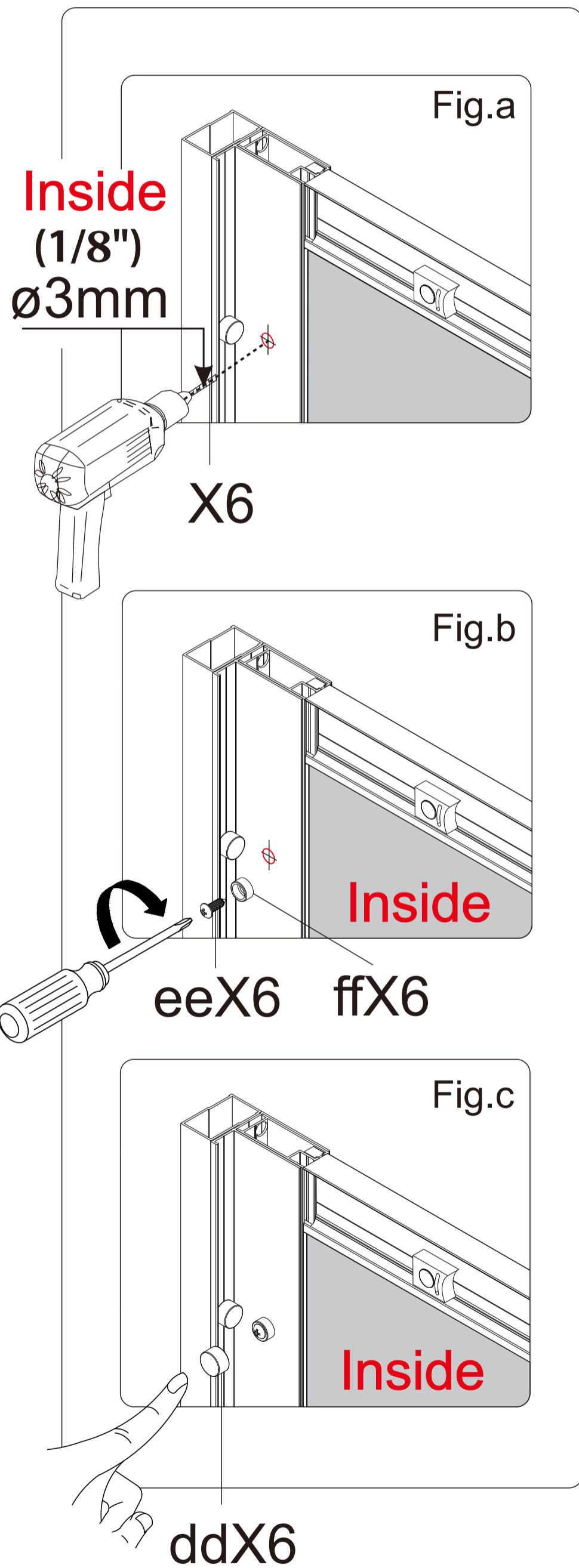
This instruction manual uses the maximum size as a reference, so please install the wall jamb according to the appropriate size

Model width	Installation of Wall Jamb only (C) Shower Door Area	Installation of wall Jamb(A) and wall Jamb(B) Shower Door Area
54"	50"min~51-5/8"max	51-5/8"min~54"max
60"	56"min~57-5/8"max	57-5/8"min~60"max

7 Lock **Stationary Glass(C)**

NOTE

1. Drill 6 holes on the inside of the **Wall Jamb(B)** with 1/8"(3mm) drill bit as Fig.a .
2. Install **Screws(ee)** and screw cover cap **Washers(ff)** as Fig.b .
3. Install **Screw caps(dd)** as Fig.c .



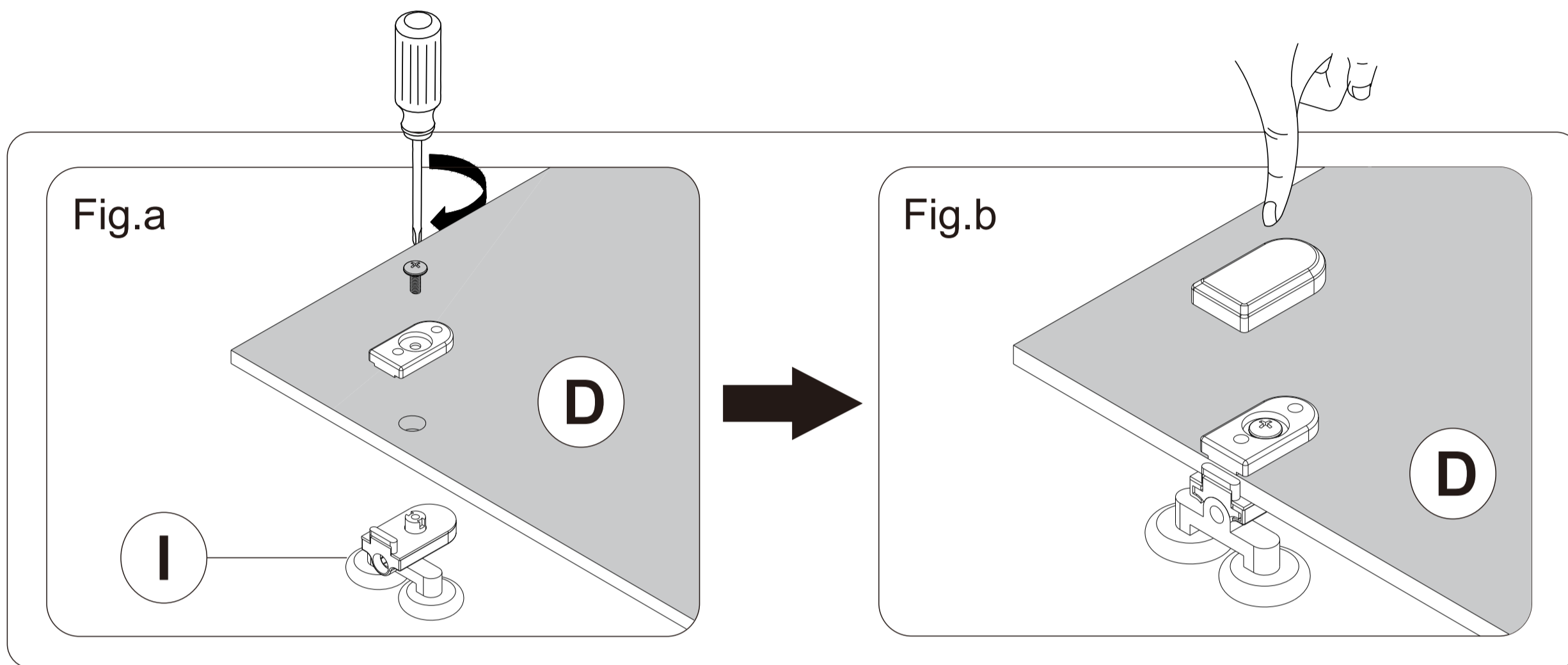
This instruction manual uses the maximum size as a reference, so please install the wall jamb according to the appropriate size

8

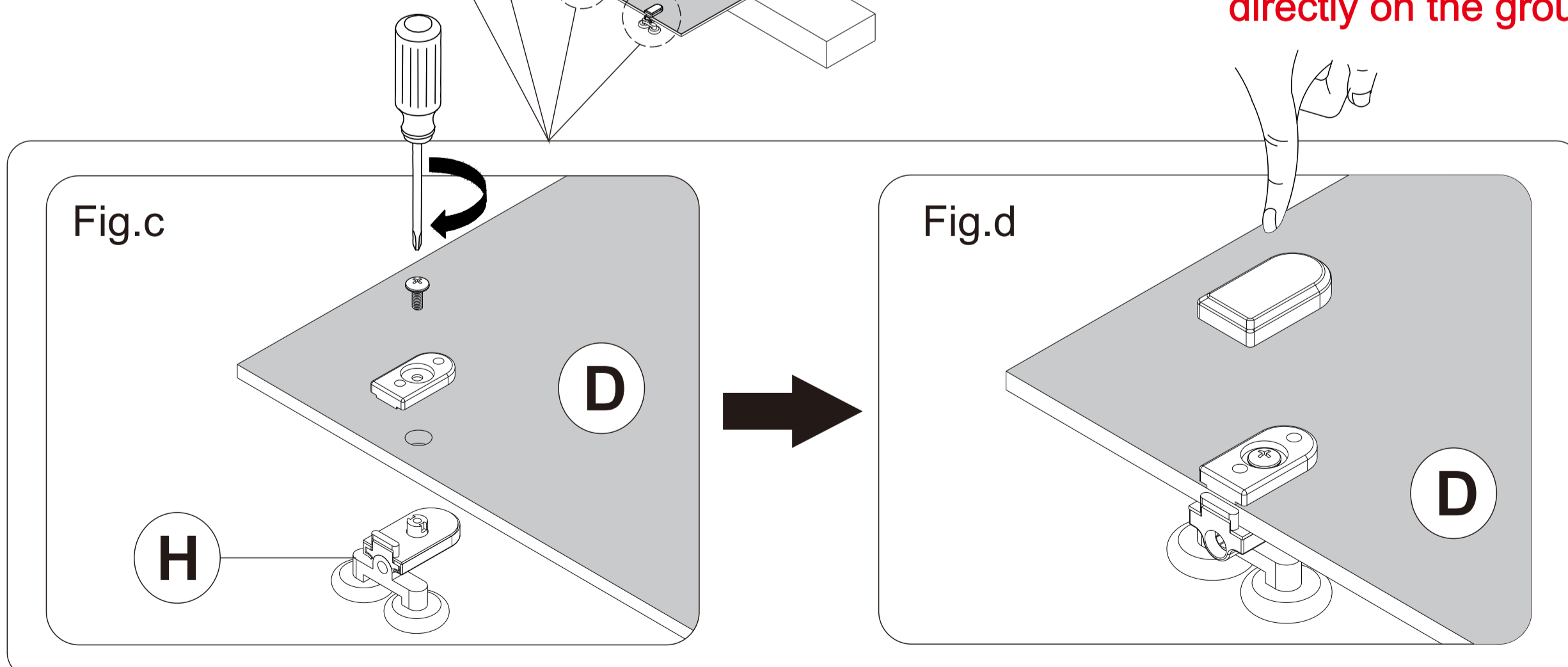
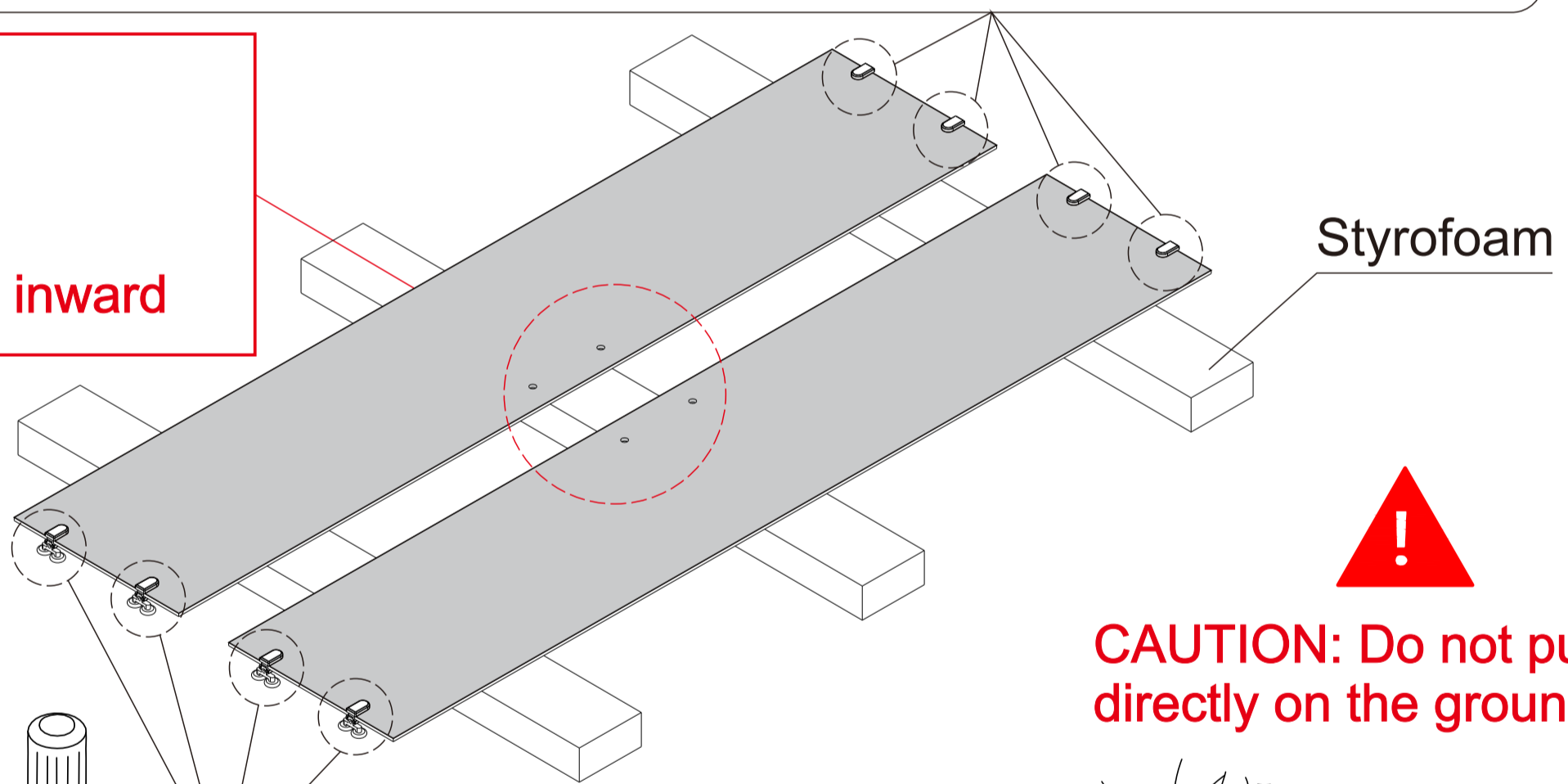
Install **Top Rollers(I)** and **Bottom Rollers(H)**

NOTE

1. Mounts the **Top Rollers(I)** on the **Glass Door (D)** as Fig.a and Fig.b.
2. Mounts the **Bottom Rollers(H)** on the **Glass Door (D)** as Fig.c and Fig.d.

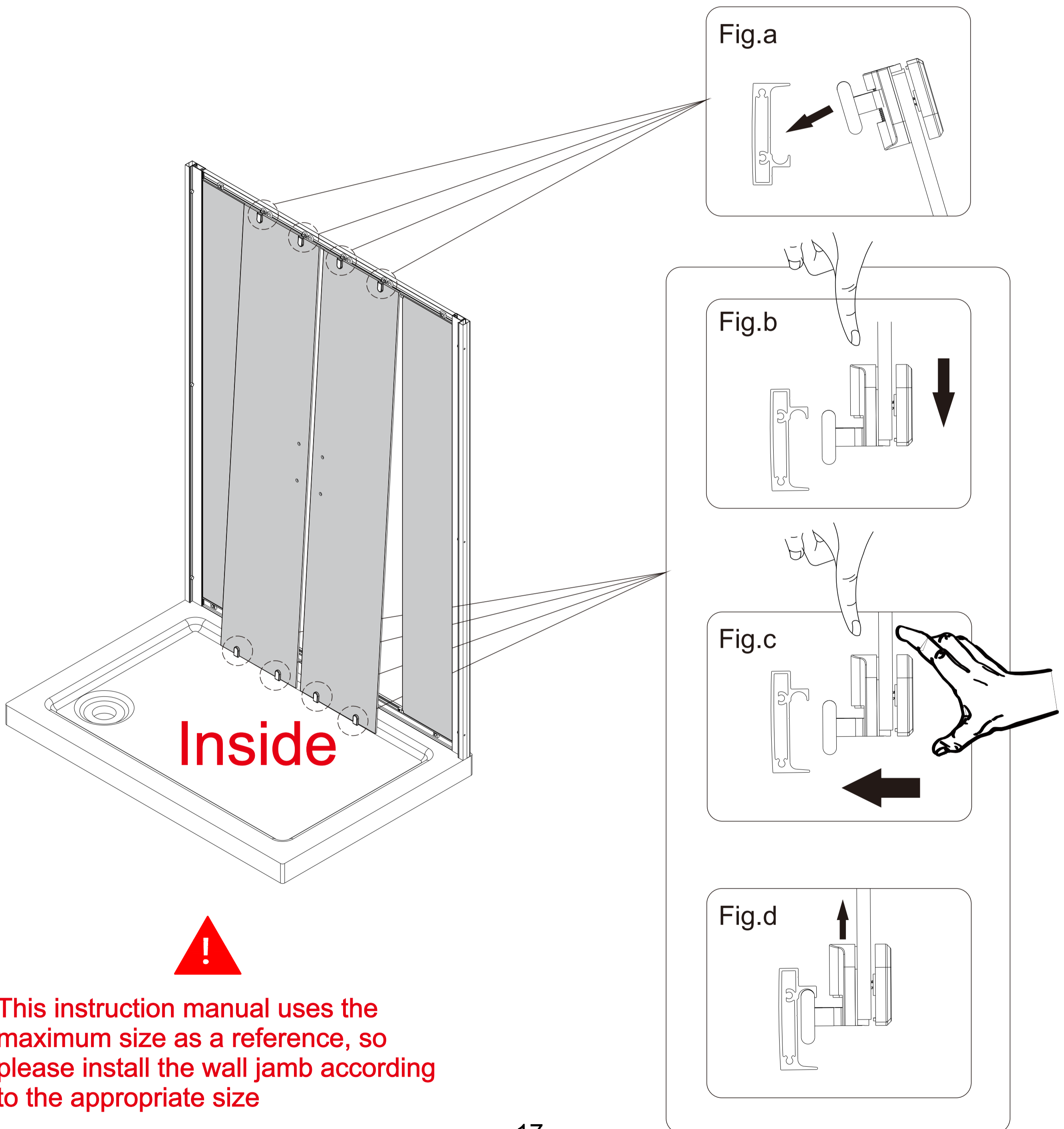


!
The handle hole is
symmetrically facing inward



9 Install **Glass Doors(D)**

- NOTE** 1.Lift the door assembly and fit the **Top Roller(I)** into **Top Rail(J)**. as Fig.a.
 2.Press the **Bottom Roller(J)** to fit into the **Bottom Rail(H)**. And then,release the **Bottom Roller(J)** to hold the door assembly in place as Fig. b、 Fig.c and Fig.d .



Inside

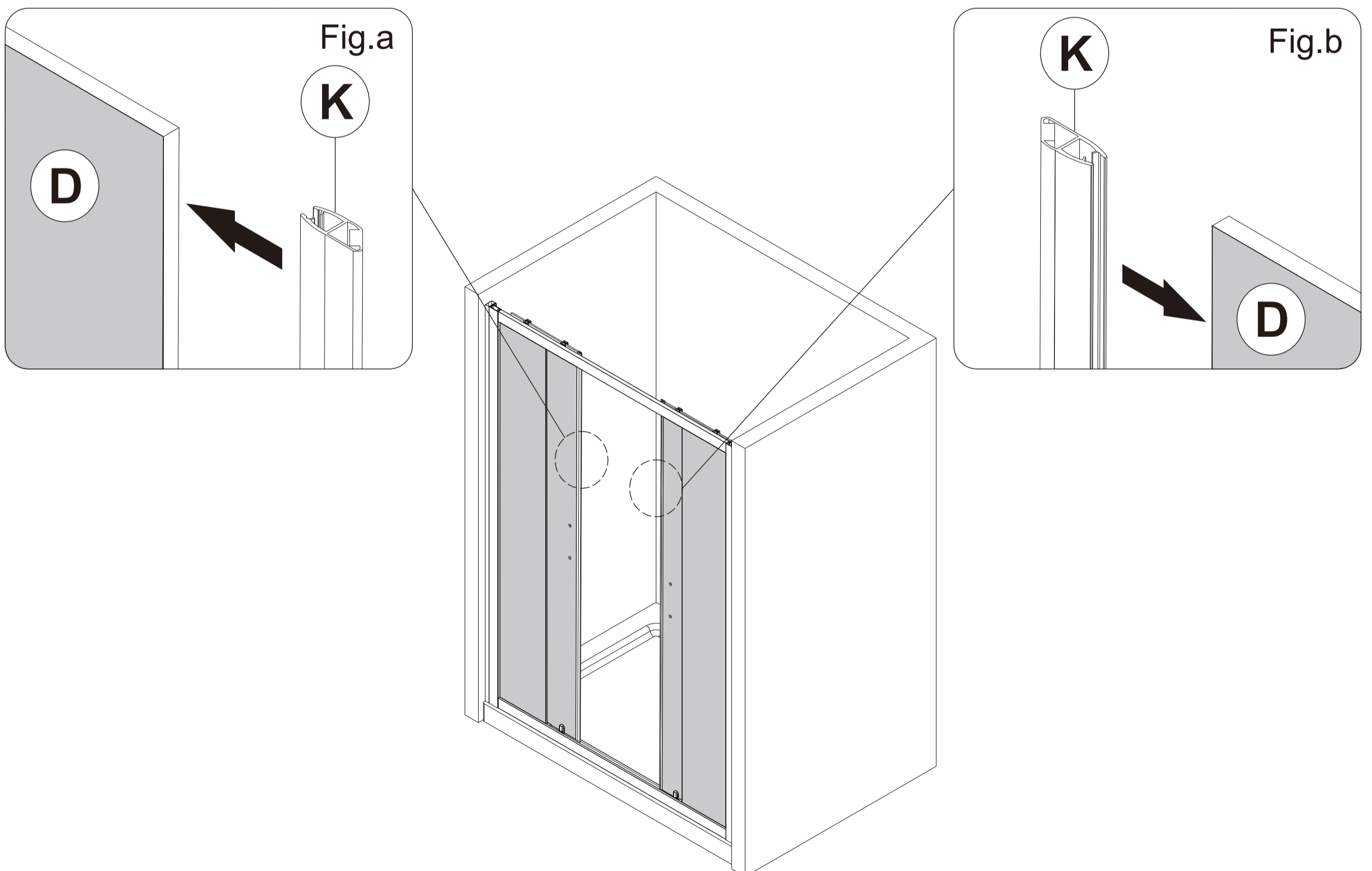


This instruction manual uses the maximum size as a reference, so please install the wall jamb according to the appropriate size

10 Install **Magnetic Strip(K)**

NOTE

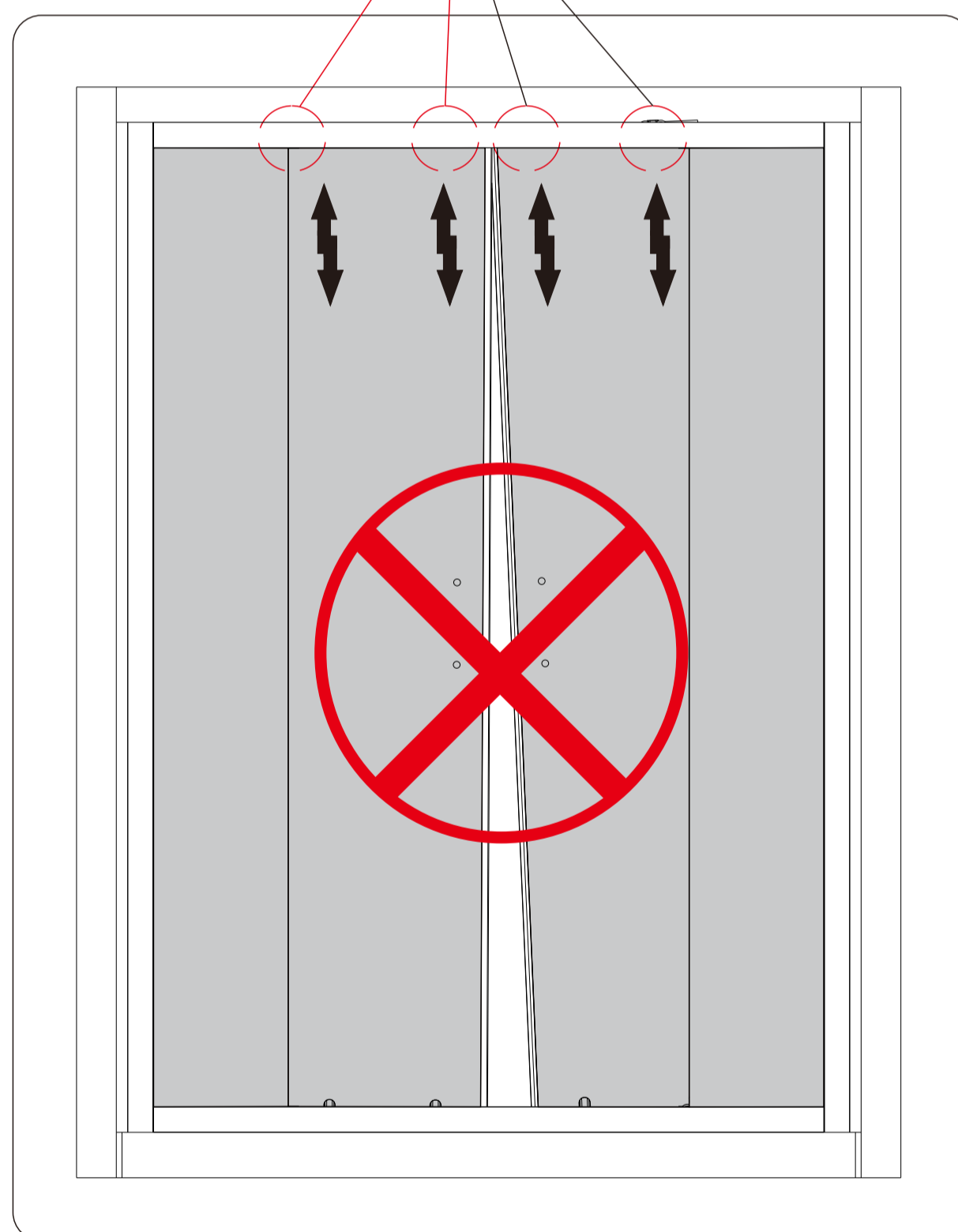
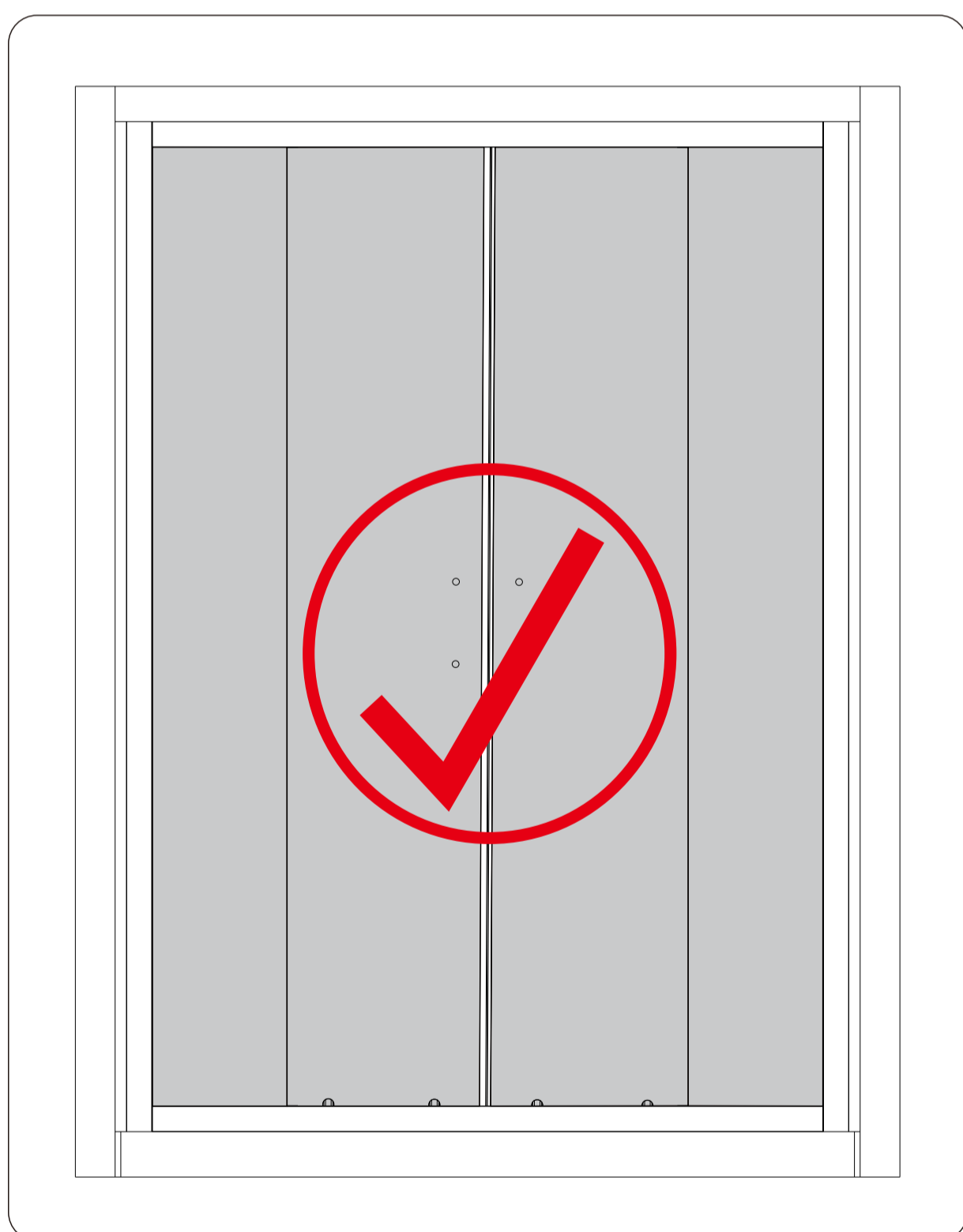
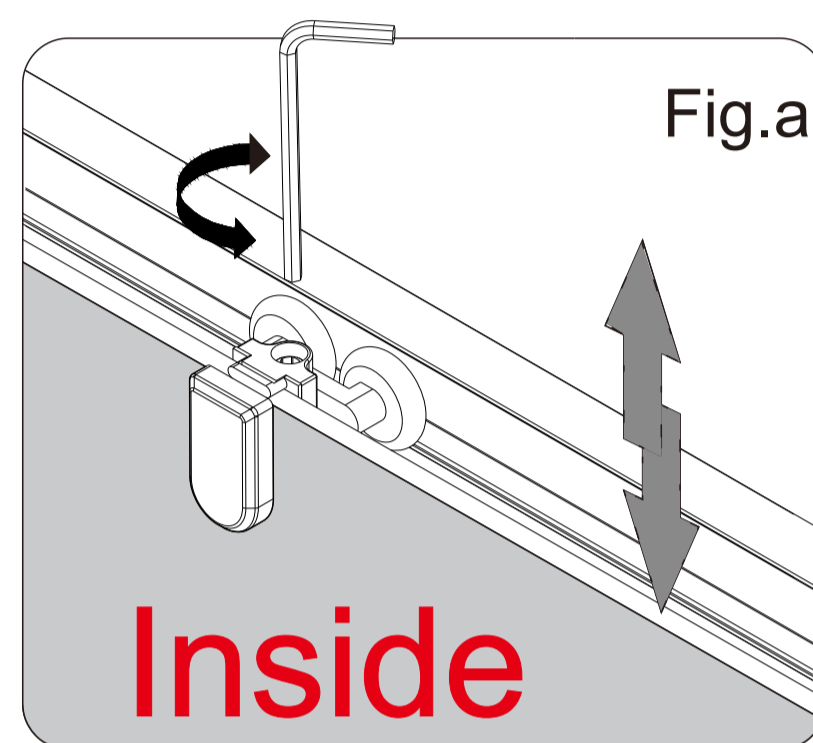
1. Attach the **Magnetic Stripe(K)** to the **Glass Door(D)** as Fig.a and Fig.b



11 Adjust the Door Frame

NOTE

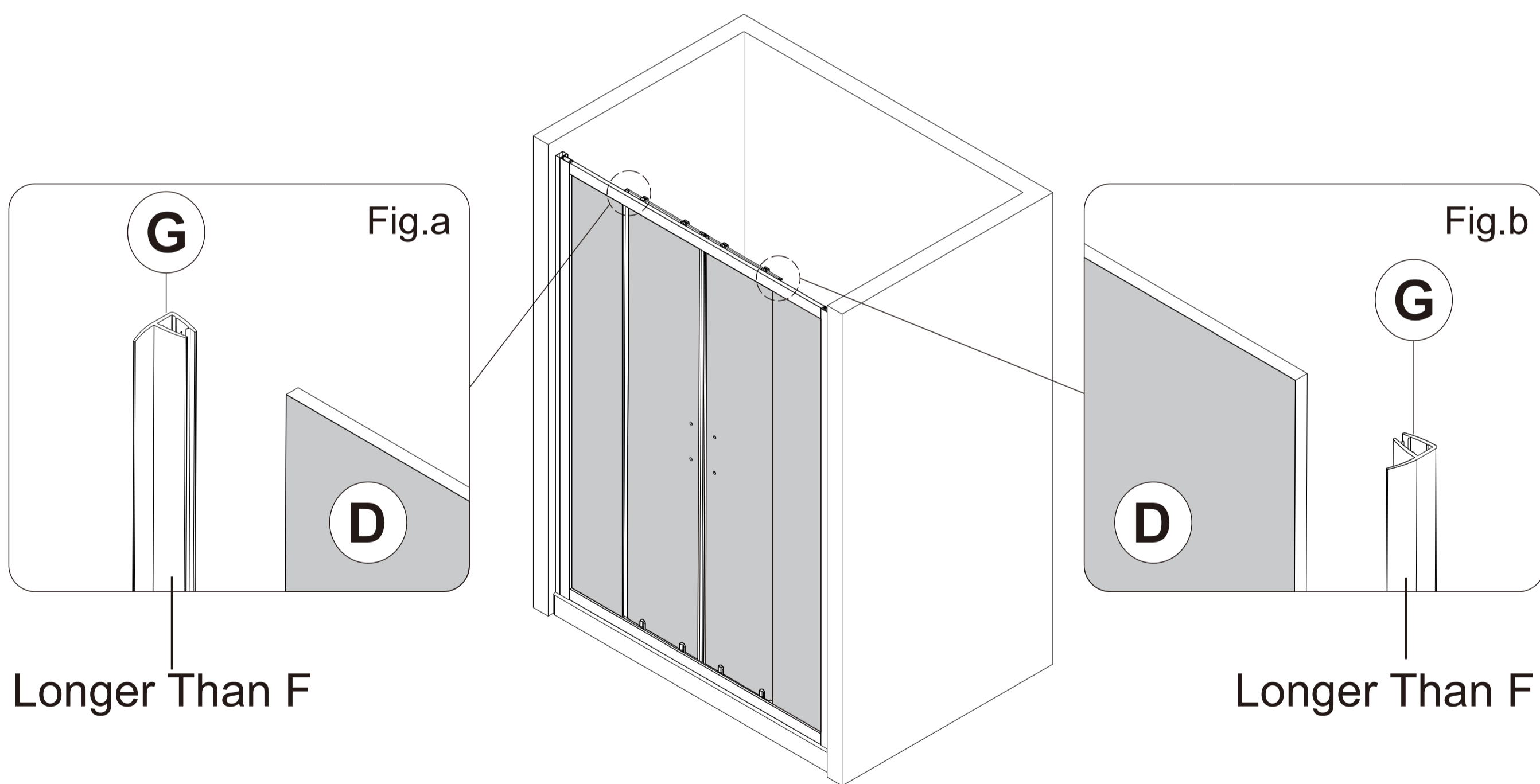
1. Use a hex wrench to adjust the **Top Rollers (I)** left and right so that the **Magnetic Stripe (K)** is engaged as Fig.a .



12 Install Anti-Water Strip(G)

NOTE

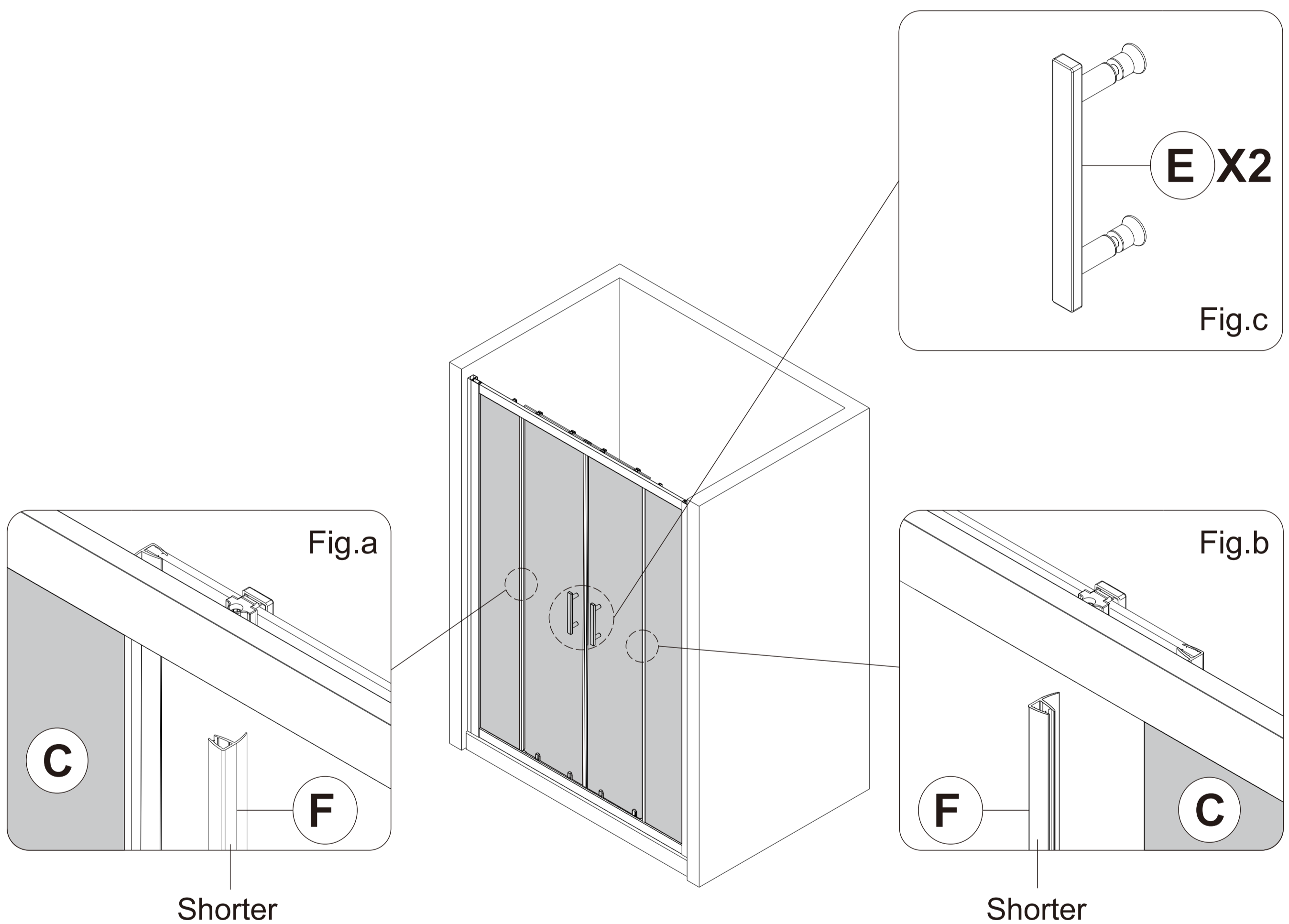
1. Install the **Anti-Water Strip (G)** on the **Glass Door (D)** as Fig.a and Fig.b .



13 Installing the **Anti-Water Strip(F)** and **Handle (E)**

NOTE

1. Install the **Anti-Water Strip(F)** on the **Glass Door (C)** as Fig.a and Fig.b.
2. Install **Handle(I)** as Fig.c .



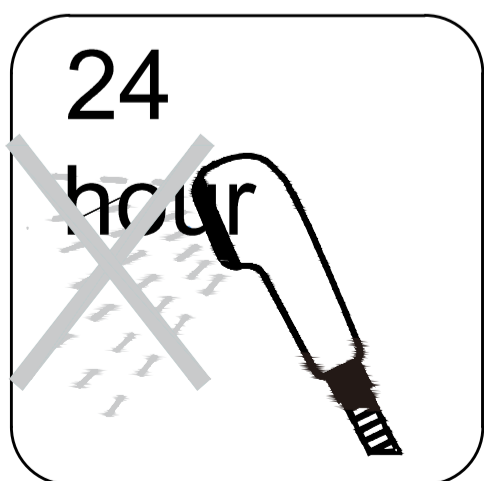
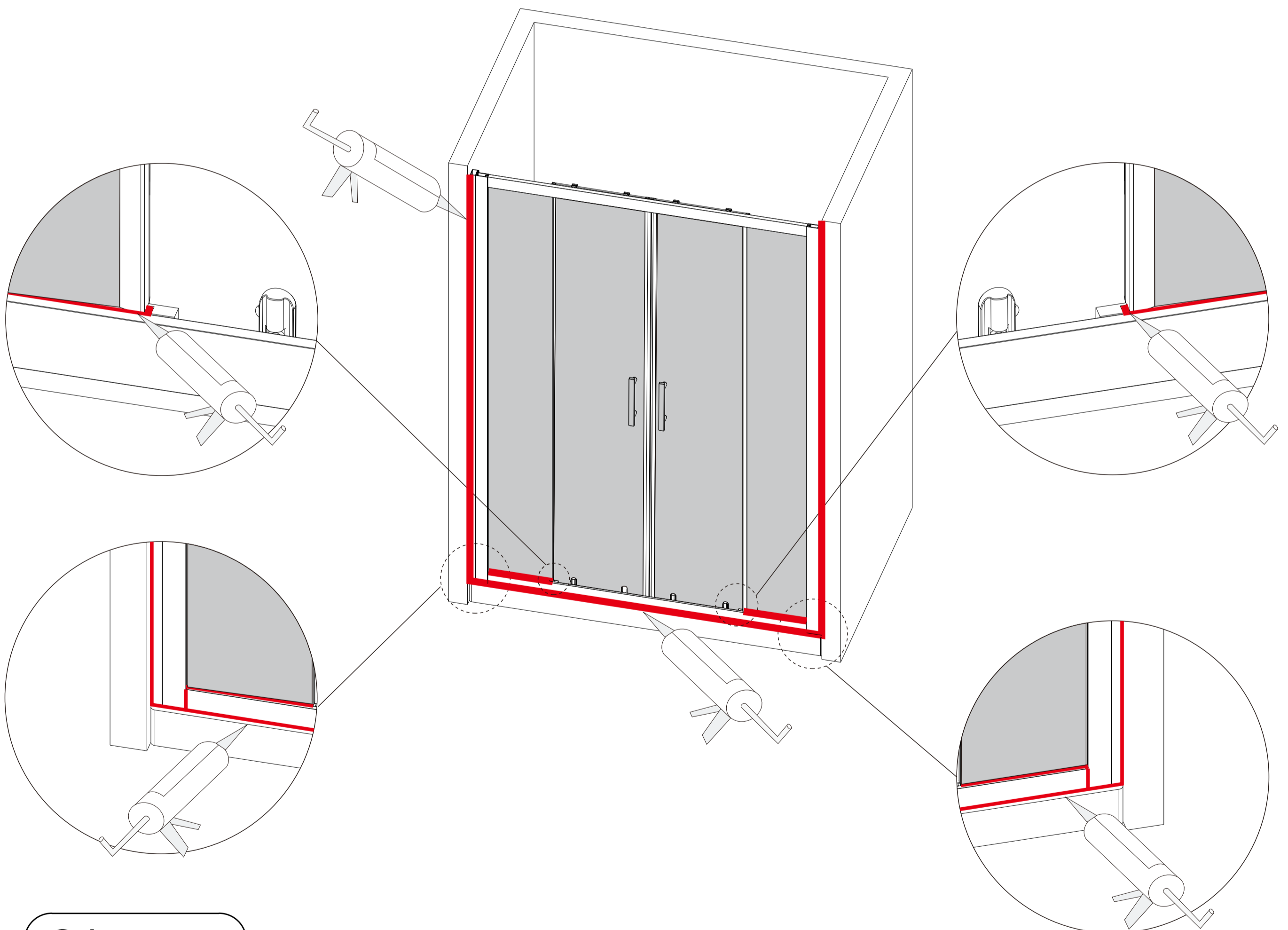
Note: The shower door can be installed left or right, according to the need to determine the installation direction.

14 SEALING

NOTE The surfaces need to be clean and free of debris before applying silicone.

NOTE Make sure that the Shower door closes tightly and opens smoothly. Apply a good quality silicone sealant along the **Wall Jamb(A)** and **Bottom Rollers(I)**.

! Allow 24 hours for the silicone to cure before using the shower.



! Apply Silicone Sealant, (not supplied).



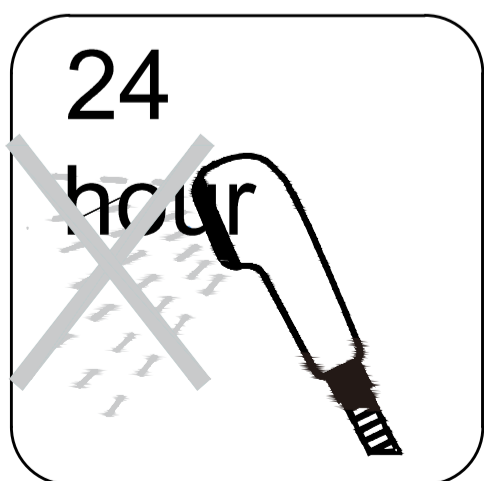
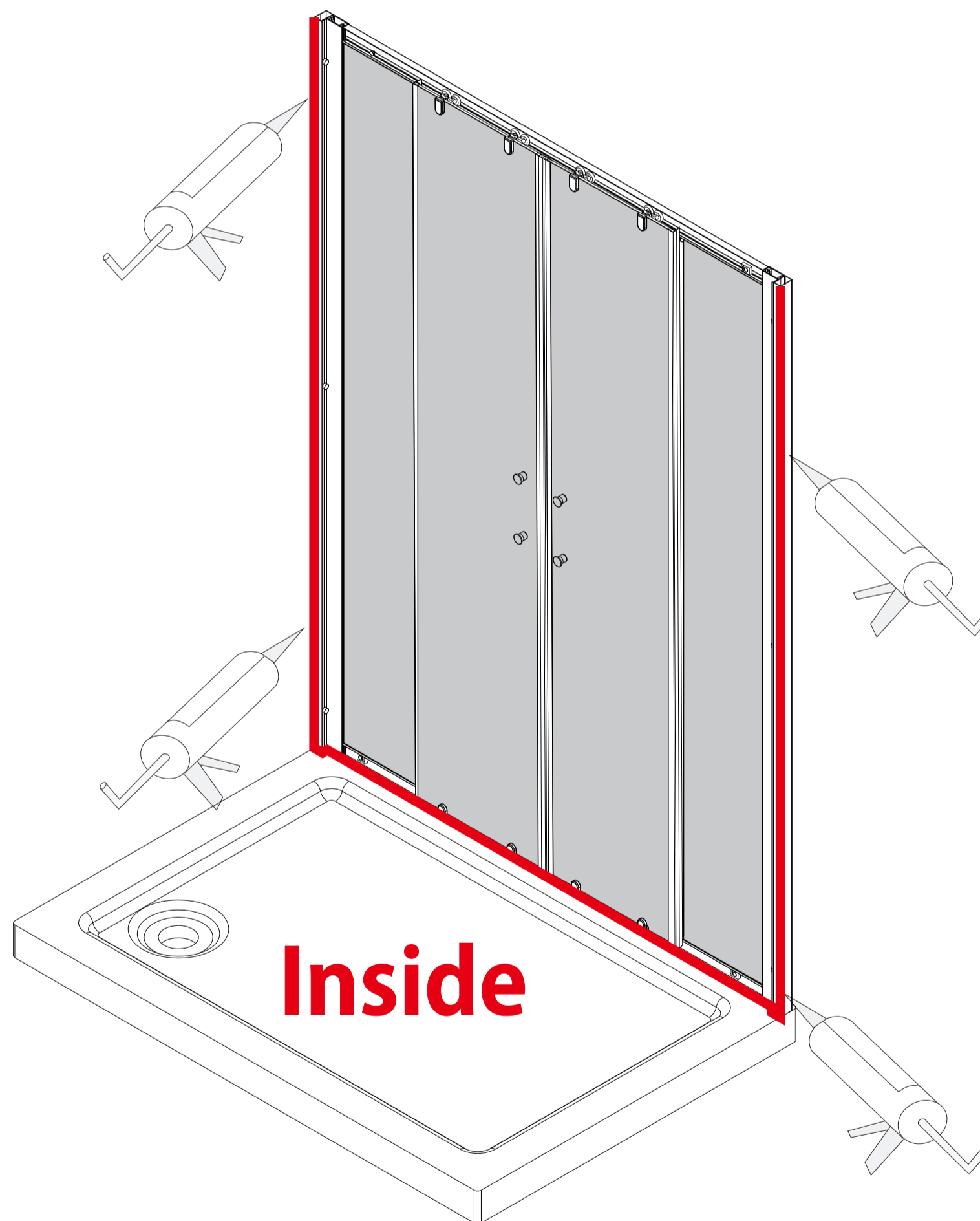
The shower room needs to be sealed inside and out

15 SEALING

NOTE The surfaces need to be clean and free of debris before applying silicone.

NOTE Make sure that the Shower door closes tightly and opens smoothly. Apply a good quality silicone sealant along the **Wall Jamb(A)** and **Bottom Rollers(I)**.

! Allow 24 hours for the silicone to cure before using the shower.



! Apply Silicone Sealant, (not supplied).



The shower room needs to be sealed inside and out