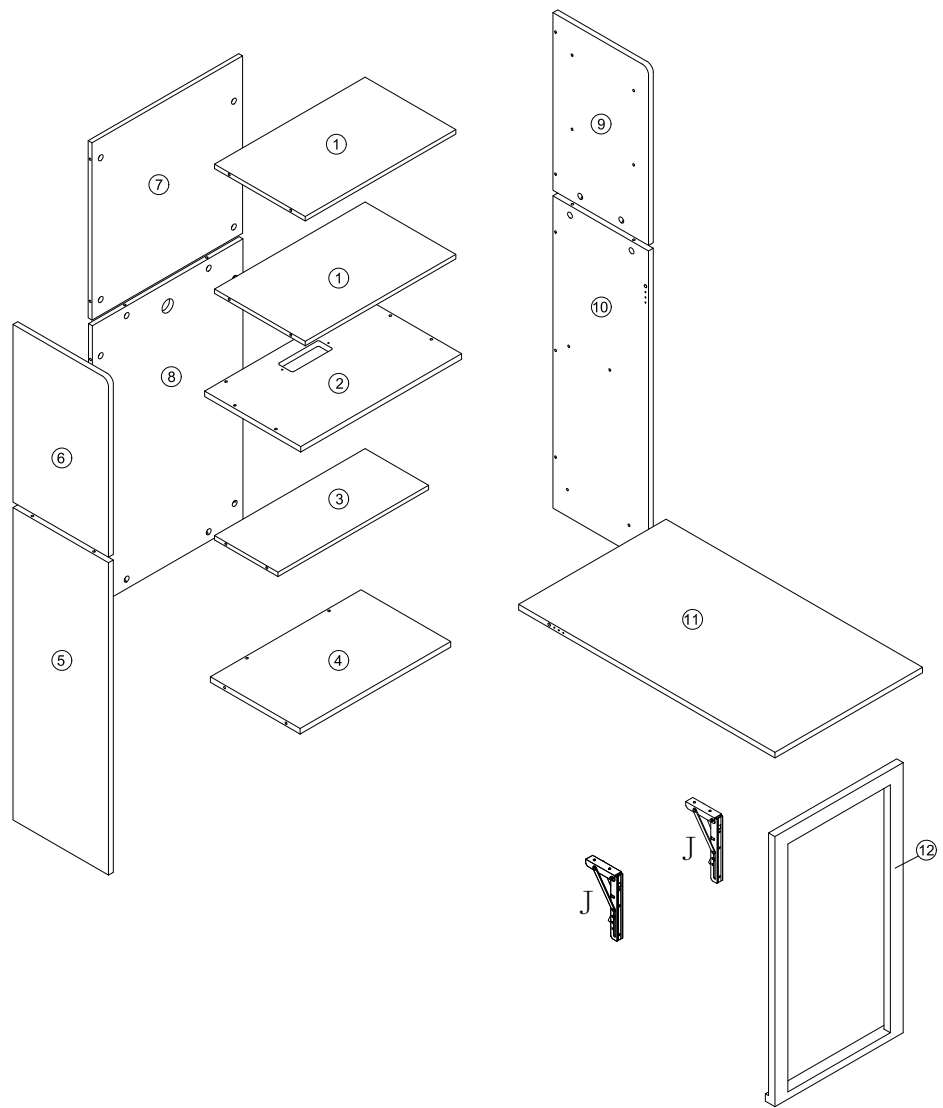
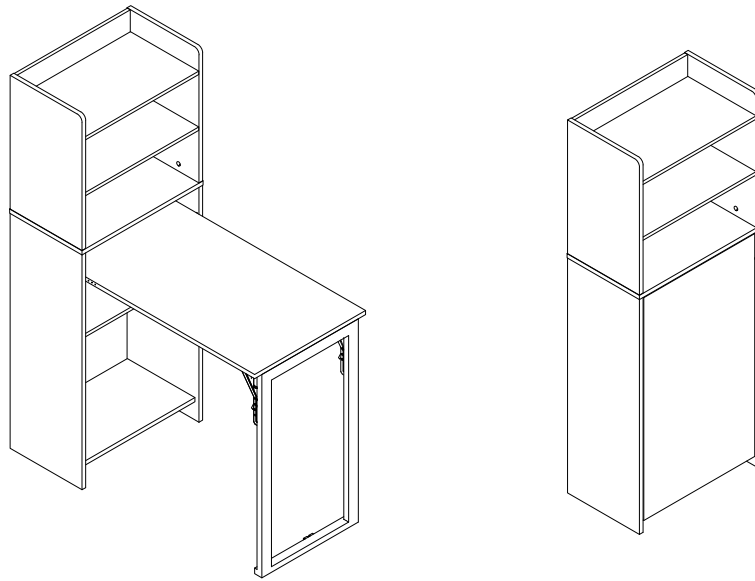
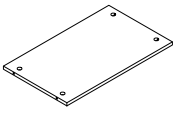
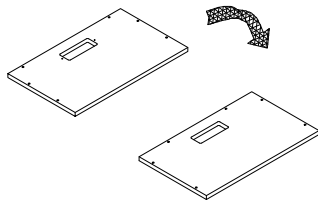
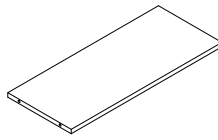
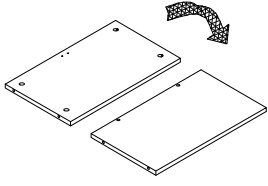
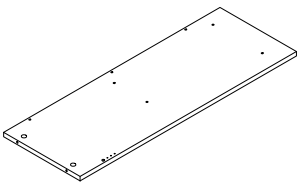
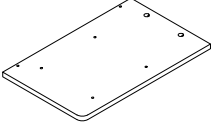
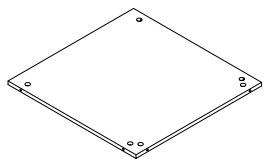
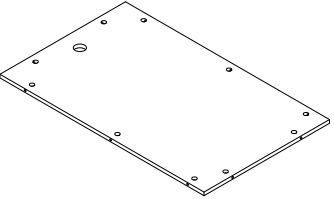
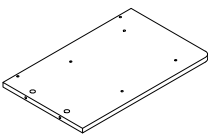
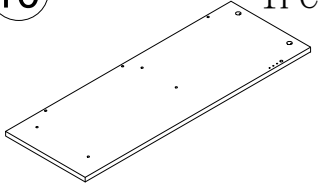
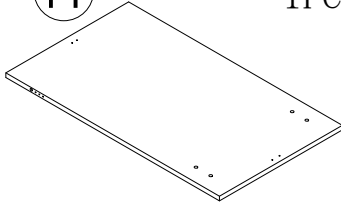
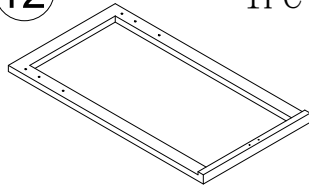








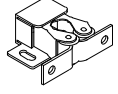
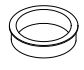
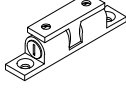
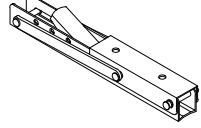
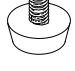
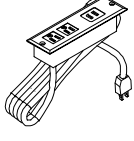






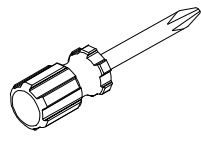
ASSEMBLY INSTRUCTION



ASSEMBLY INSTRUCTION

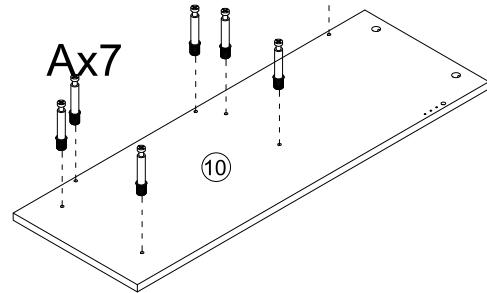
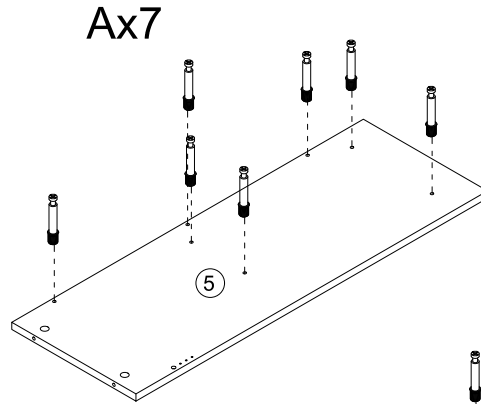
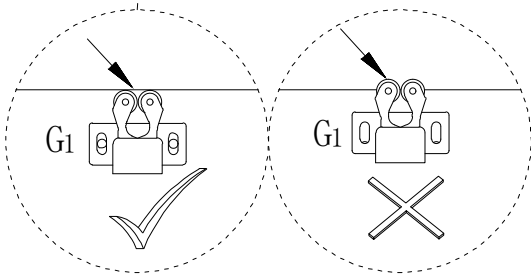
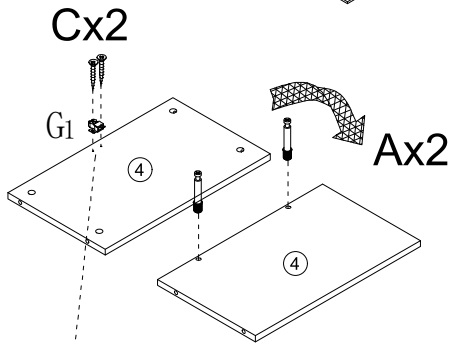
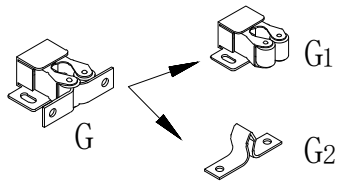
<p>① 2PCS</p> 	<p>② 1PC</p> 	<p>③ 1PC</p> 	<p>④ 1PC</p> 
<p>⑤ 1PC</p> 	<p>⑥ 1PC</p> 	<p>⑦ 1PC</p> 	<p>⑧ 1PC</p> 
<p>⑨ 1PC</p> 	<p>⑩ 1PC</p> 	<p>⑪ 1PC</p> 	<p>⑫ 1PC</p> 


ASSEMBLY INSTRUCTION

<p>A 40PCS</p>  <p>M6*33.5</p>	<p>B 40PCS</p>  <p>Ø15*9.5</p>	<p>C 20PCS</p>  <p>Ø3.5*14</p>	<p>D 4PCS</p> 	
<p>E 8PCS</p>  <p>M4*12</p>	<p>F 4PCS</p>  <p>M6*12</p>	<p>G 1PC</p> 	<p>H 1PC</p>  <p>Ø35</p>	
<p>I 1PC</p>  <p>58*11*15</p>	<p>J 2PCS</p>  <p>200*35*25</p>	<p>K 2PCS</p>  <p>M6</p>	<p>L 1PC</p> 	
<p>M 40PCS</p> 	<p>N 1set</p>  <p>φ4*38</p>  <p>φ3.5*12</p>  <p>φ8*40</p>	<p>O 2PCS</p>  <p>59*12*2.7</p>	<p>P 2PCS</p>  <p>59*12*13</p>	


ASSEMBLY INSTRUCTION

Step 1

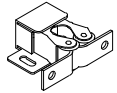


A 16PCS


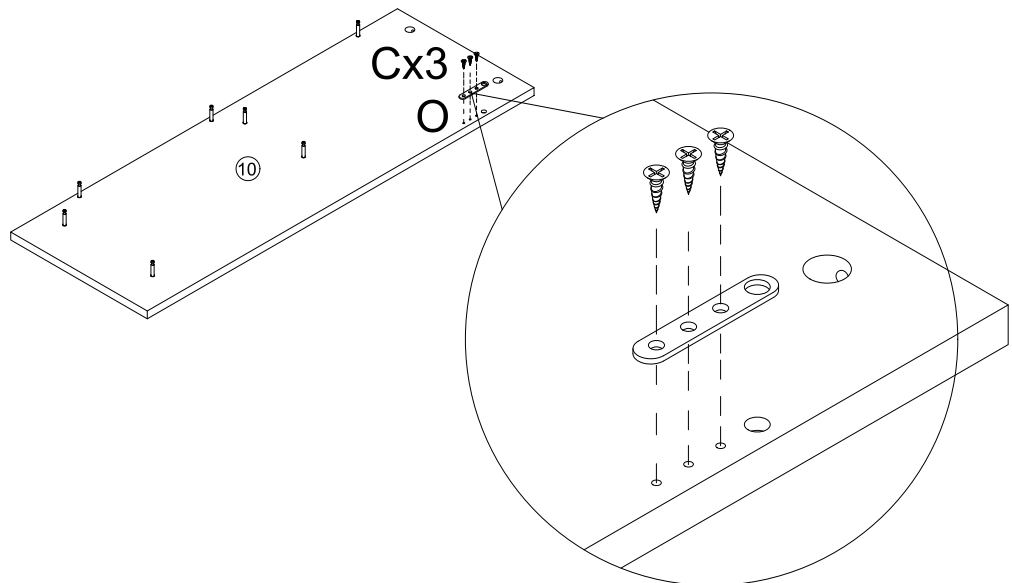
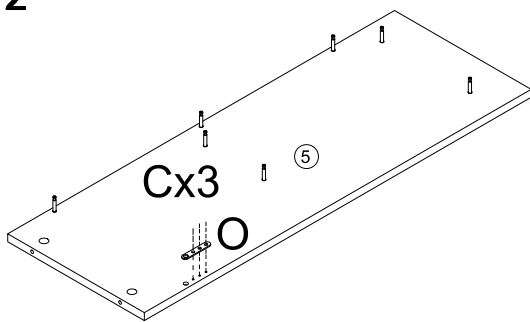
M6*33.5

C 2PCS


Ø3.5*14


G 1PCS


Step 2



C 6PCS




Ø3.5*14

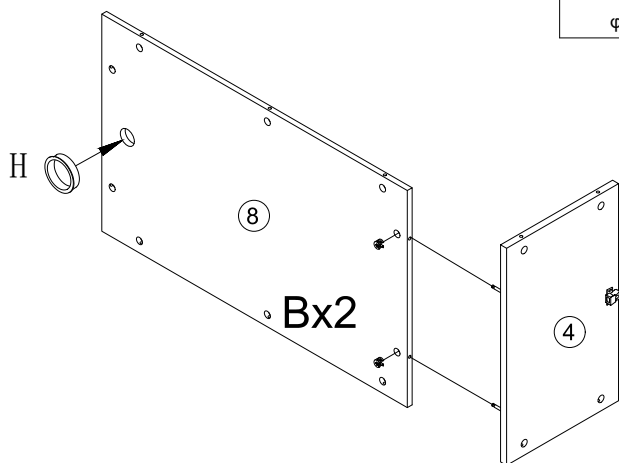
O 2PCS


59*12*2.7


ASSEMBLY INSTRUCTION

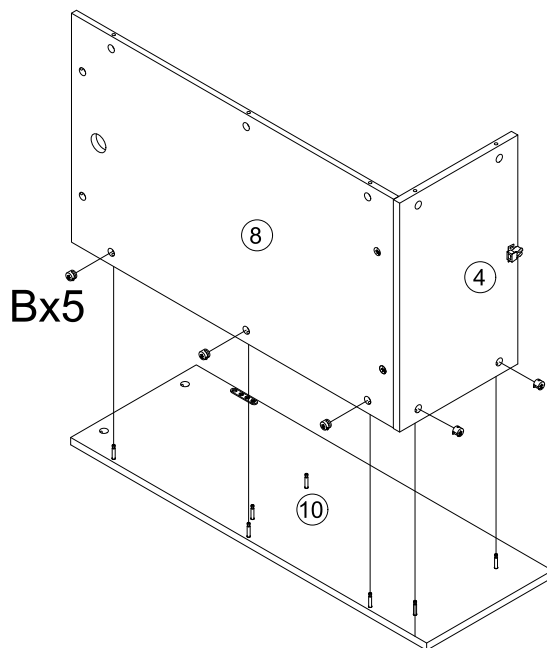
Step 3

B	2PCS
	$\phi 15 \times 9.5$
H	1PC
	$\phi 35$




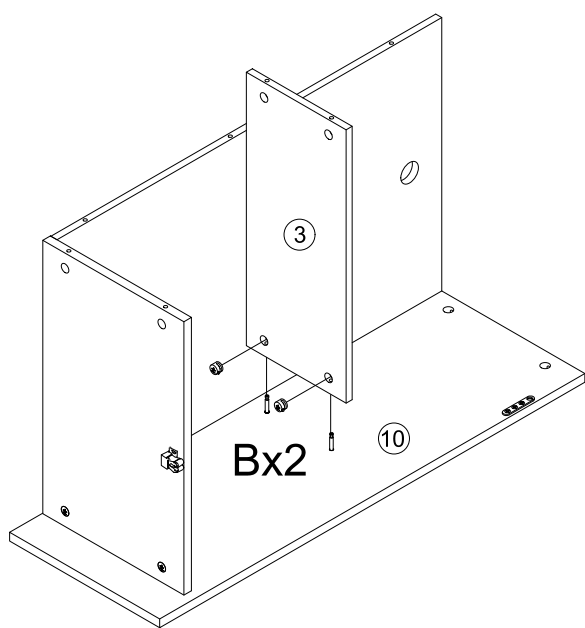
Step 4

B	5PCS
	$\phi 15 \times 9.5$



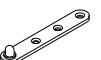
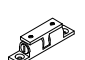


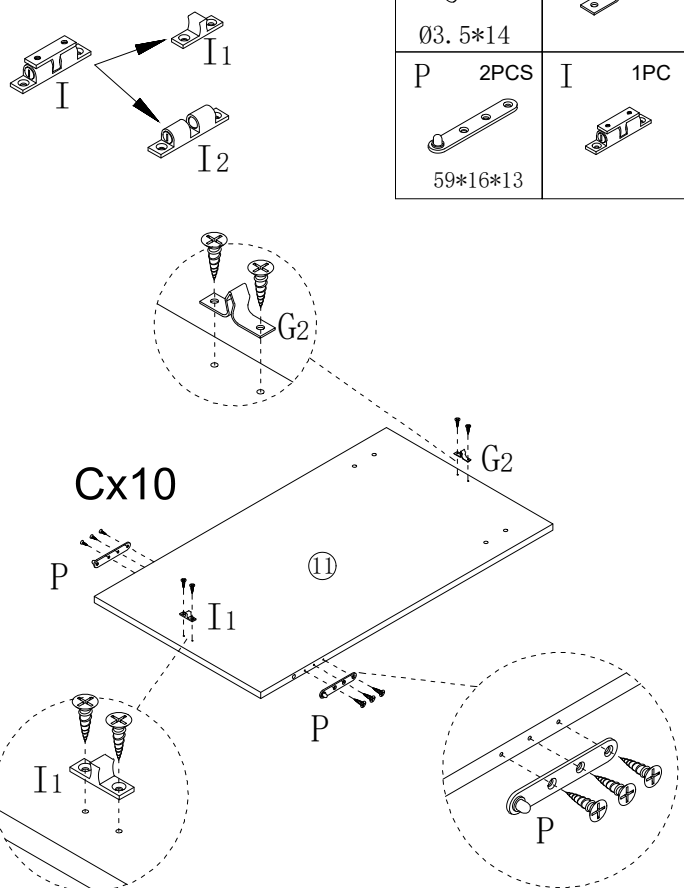
Step 5

B	2PCS
	$\phi 15 \times 9.5$



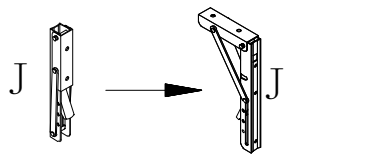
Step 6

C	10PCS	G2	1PC
	$\phi 3.5 \times 14$		
P	2PCS	I	1PC
	$59 \times 16 \times 13$		



ASSEMBLY INSTRUCTION

Step 7



E 8PCS



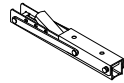
M4*12

I₂

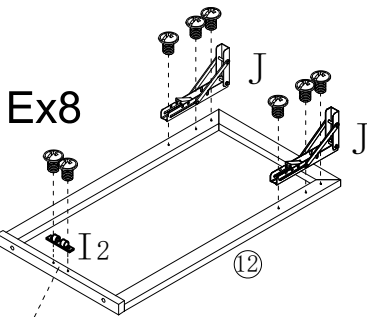


58*11*15

J 2PCS



200*35*25

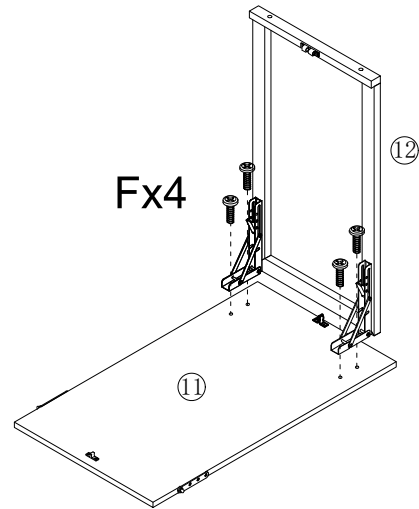


Step 8

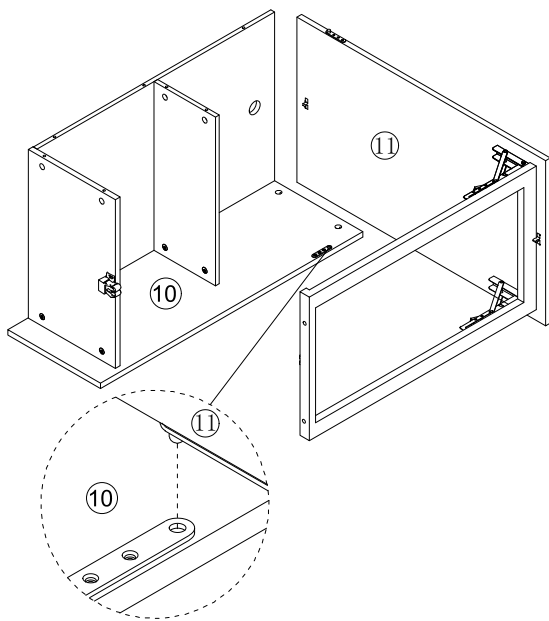
F 4PCS



M6*12



Step 9

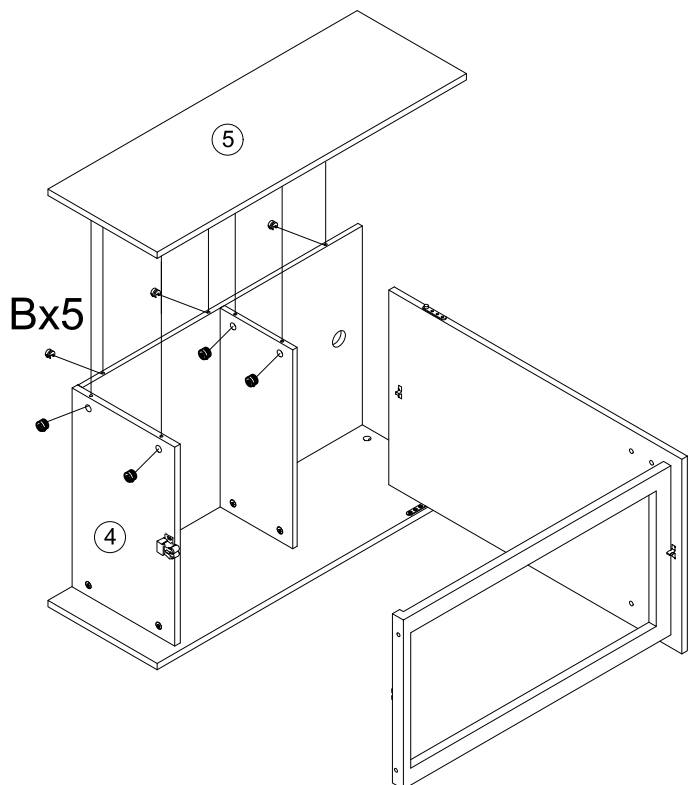


Step 10

B 7PCS



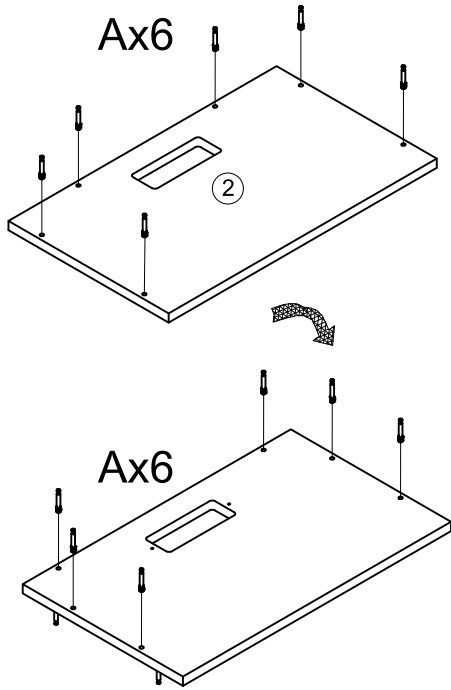
φ15*9.5



ASSEMBLY INSTRUCTION

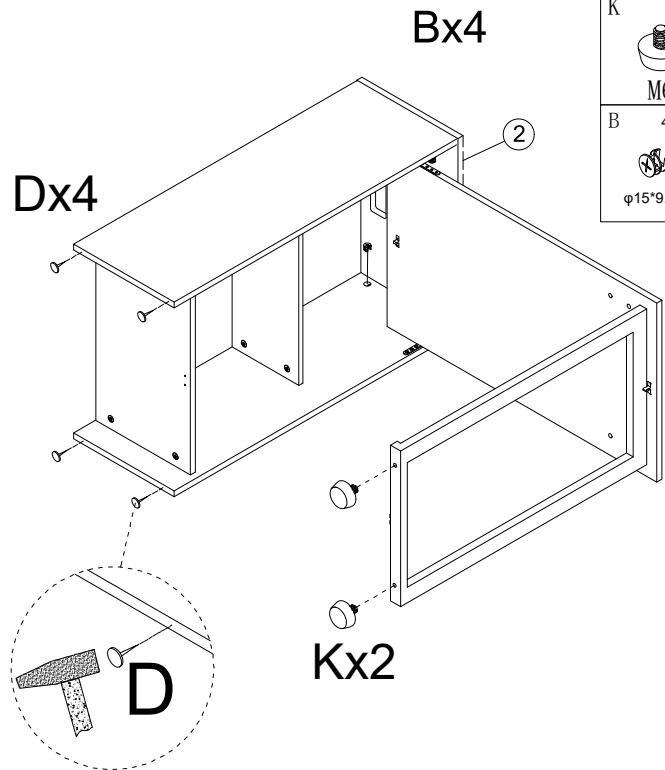
Step 11

A 12PCS
M6*33.5



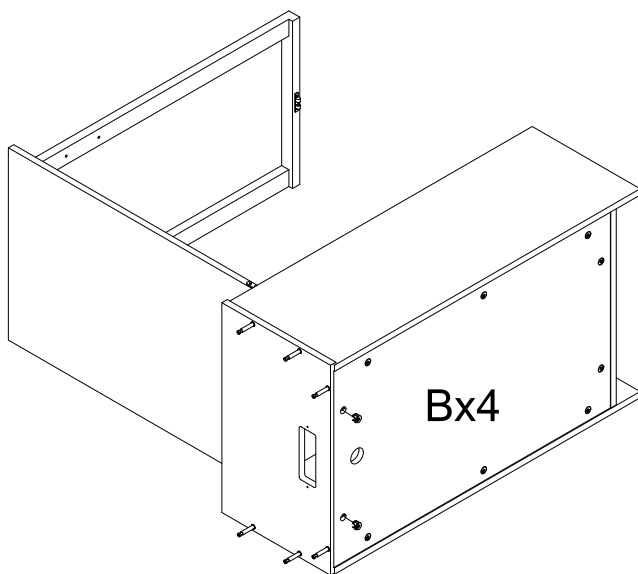
Step 12

D 4PCS
K 2PCS
M6
B 4PCS
φ15*9.5



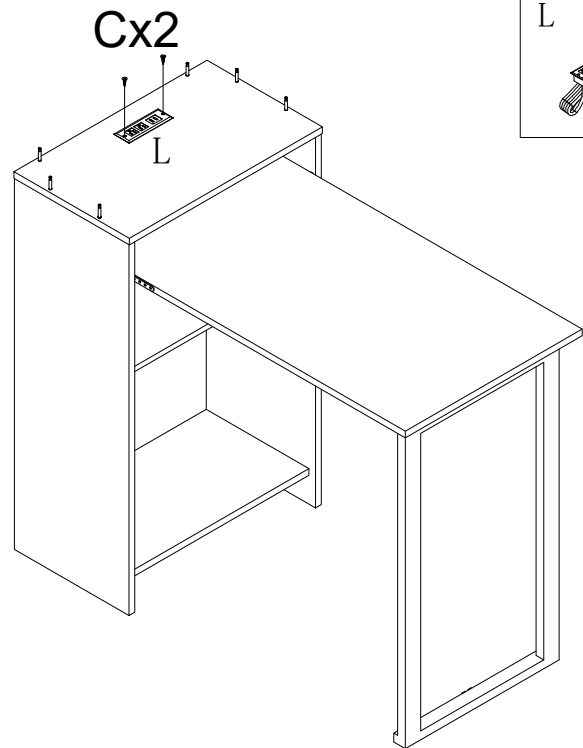
Step 13

B 2PCS
φ15*9.5




Step 14

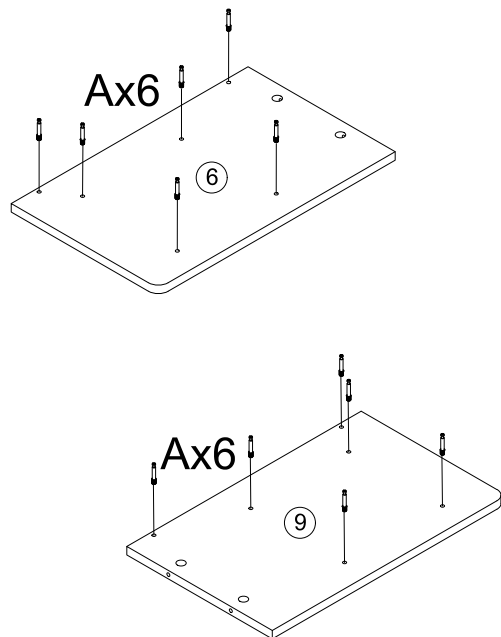
C 2PCS
Ø3.5*14
L 1PC




ASSEMBLY INSTRUCTION

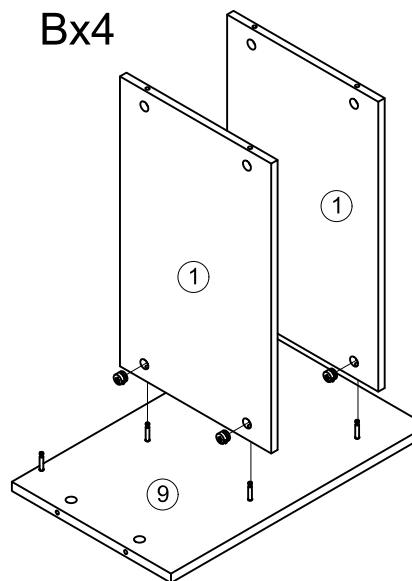
Step 15

A 12PCS

M6*33.5




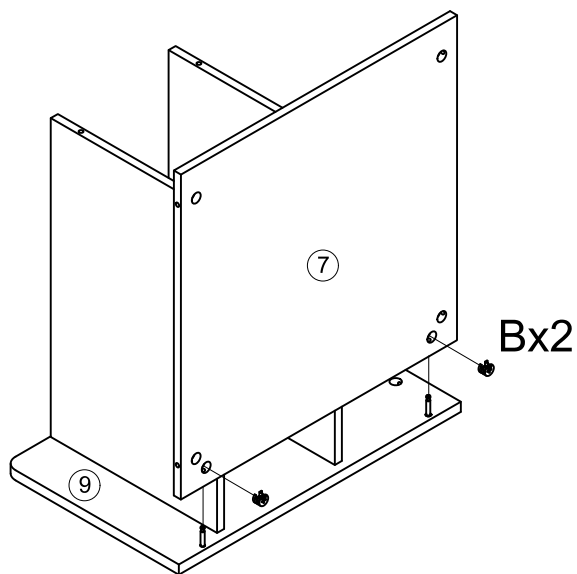
Step 16

B 4PCS

φ15*9.5




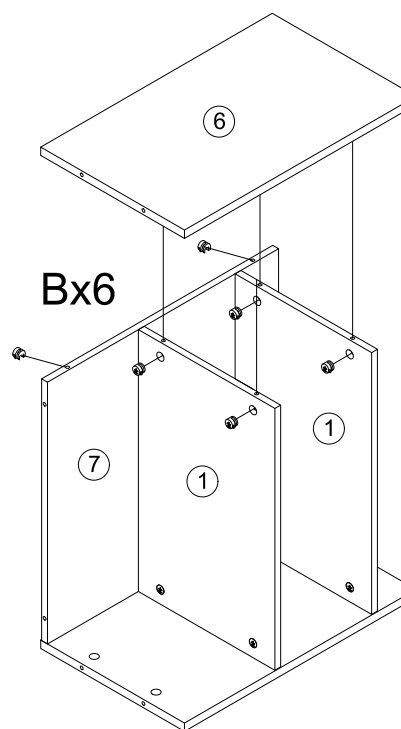
Step 17

B 2PCS

φ15*9.5




Step 18

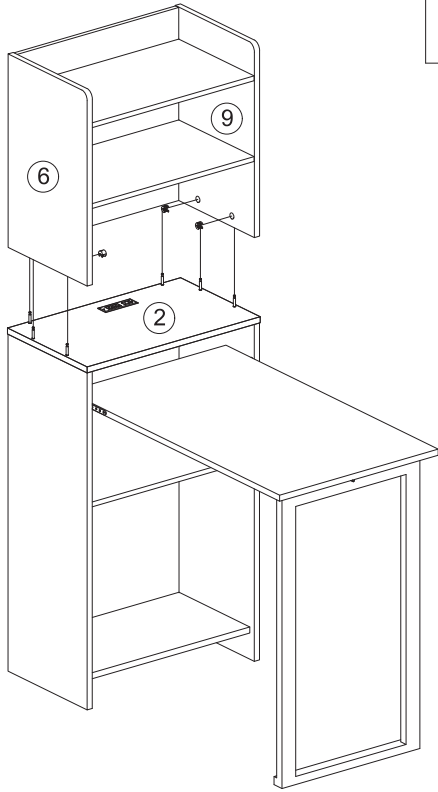
B 6PCS

φ15*9.5




ASSEMBLY INSTRUCTION

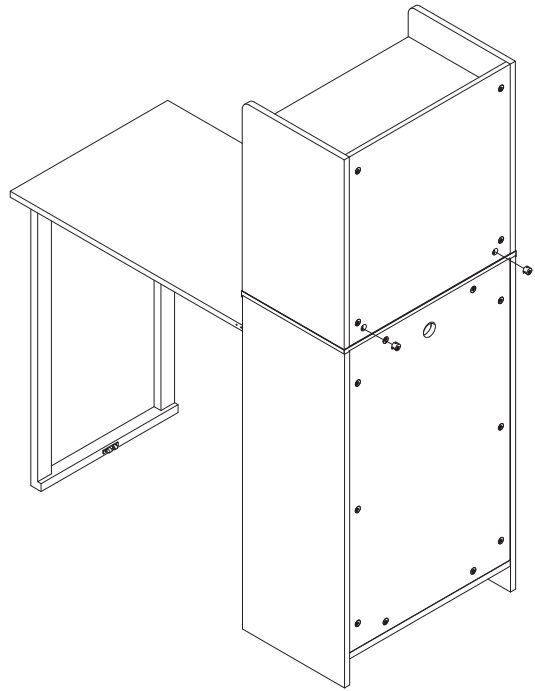
Step 19

B 4PCS

φ15*9.5

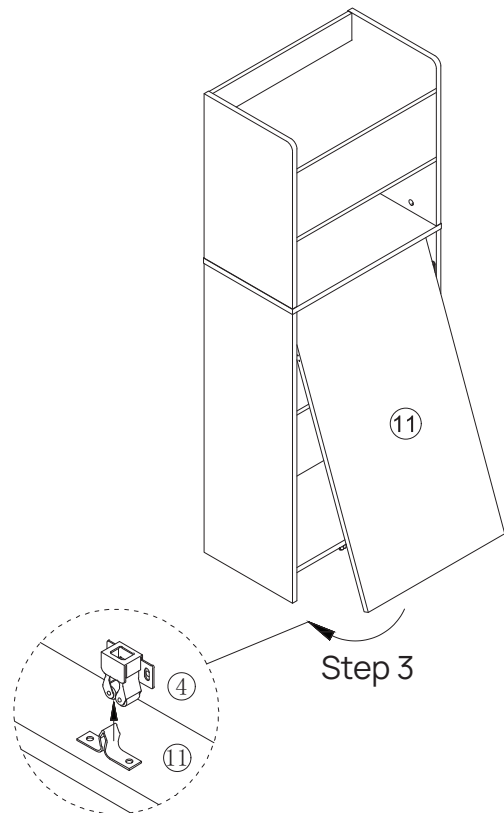
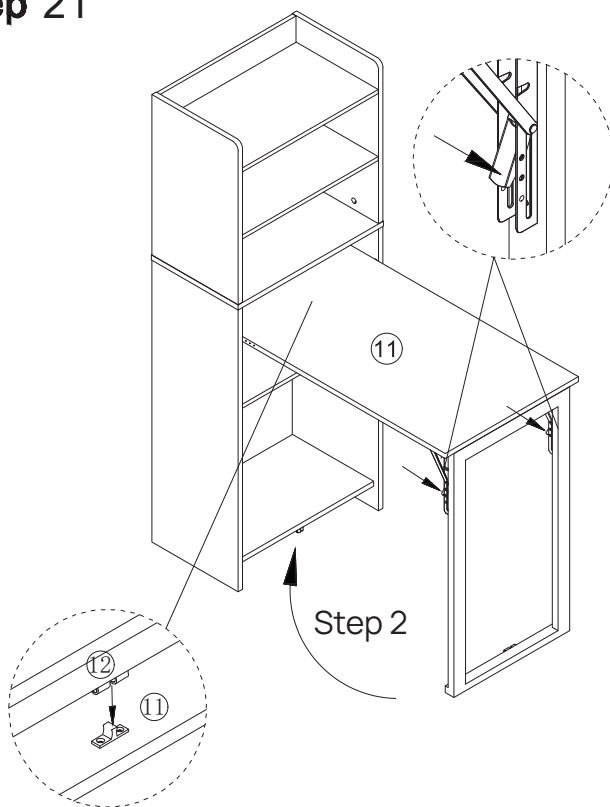


Step 20

B 2PCS

φ15*9.5



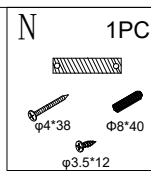
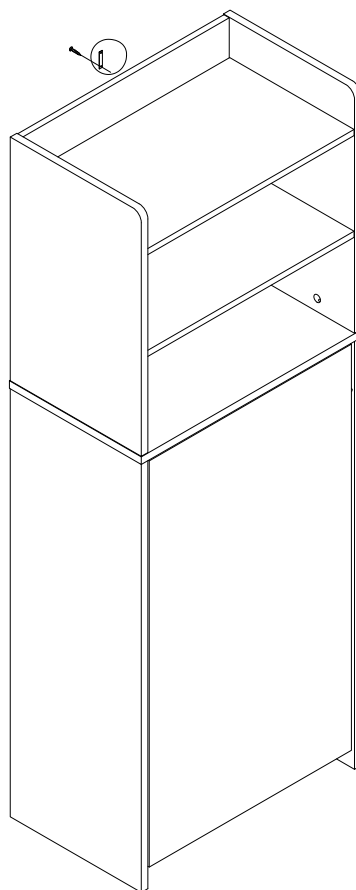
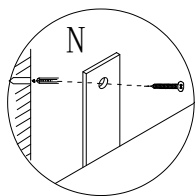
Step 21



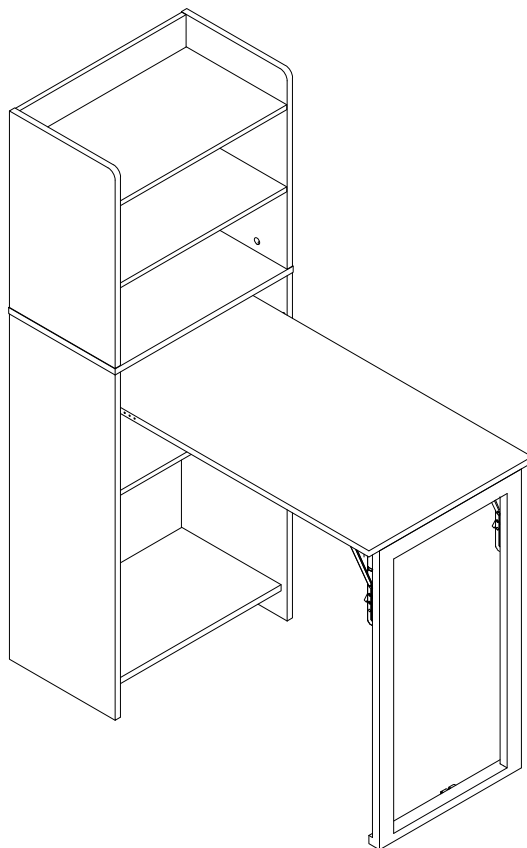
Caution: Do not place your fingers too deep when folding to avoid pinching.

ASSEMBLY INSTRUCTION

Step 22



Step 23



OK