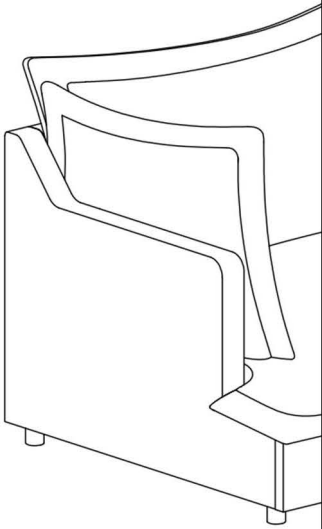


Owner Manual



WARRANTY

We strive to offer high quality product and we also try our best to satisfy each customer that order from us, no matter on products or services as needed. Each customer receives a record of their order, such as the order number or item receipt. For any items that are out of warranty period, you may still be able to purchase the replacement parts from our company if they are available.



MAINTENANCE AND WARNING

Please read the manual thoroughly
before you start installing.

Please keep the product away from
sharp object.

Packaging and small parts may have
chocking hazard, please keep them away
from children and pets.

Please clean the product according to each
clean code, check the product description
for more information.

Please keep the product away from
fire.

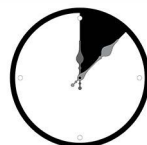
If you have any other questions, please
contact us, we will be glad to help you out.

If the product is placed under direct
sunlight, the pattern or color might fade
away overtime.

Check the product periodically to make
sure everything is secured and tightened.

Always use proper tools for installation.

Do not jump on the product.



PRODUCT DESCRIPTION

High-Quality Chenille Fabric: Soft, durable fabric enhances the aesthetics while providing a smooth, luxurious touch.

Generously Padded Armrests: Armrests filled with plush cushioning offer superior comfort, perfect for relaxing.

Wide and Supportive Backrest: The full, padded backrest provides excellent support, ensuring comfort for long sitting sessions.

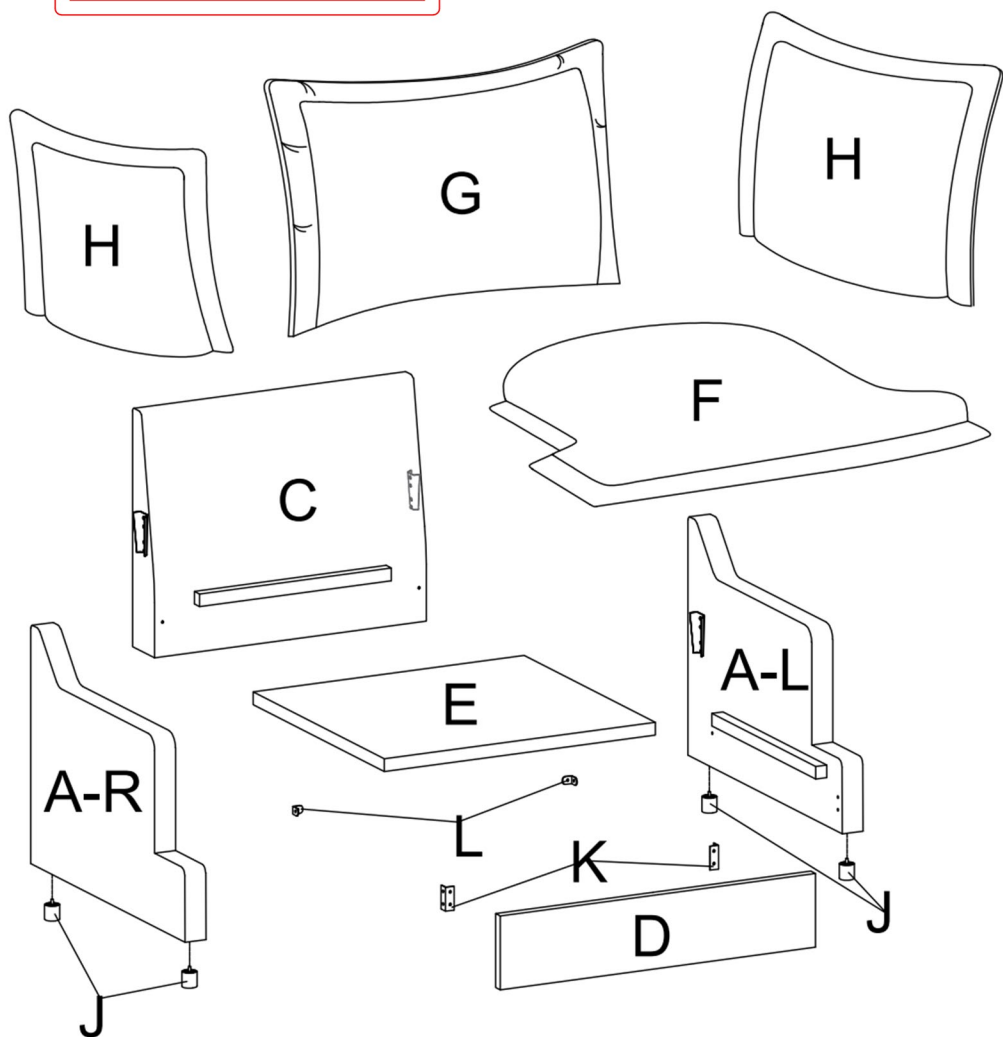
Sinuous Springs and High-Density Foam: Combined for superior elasticity and responsiveness, offering lasting comfort and support.

Modular Design Flexibility: Easily integrates with other modules, allowing for customized seating arrangements to suit your space.

EXPLODED VIEW

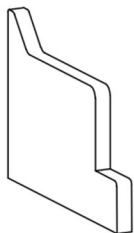


The product's left and right are determined by sitting posture



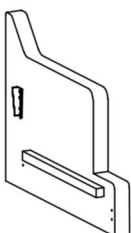
PARTS

A-R*1



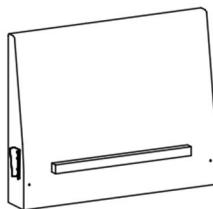
Right arm

A-L*1



Left arm

C*1



Backrest

D*1



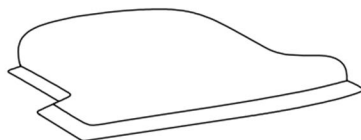
Front rail

E*1



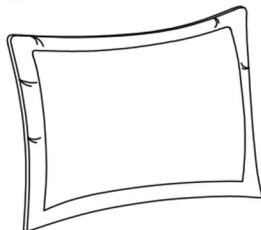
Seat frame

F*1



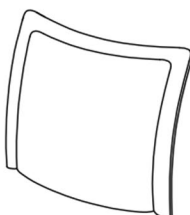
Seat cushion

G*1



Back cushion

H*2



Arm cushion

HARDWARE

TOOL LIST

NOTE: Designated with (★) We provide additional spare parts in the hardware package

J*4



Plastic legs

K*2



Large Angle Iron

L*2



Angle Iron

M*13



★ Bolt

N*1

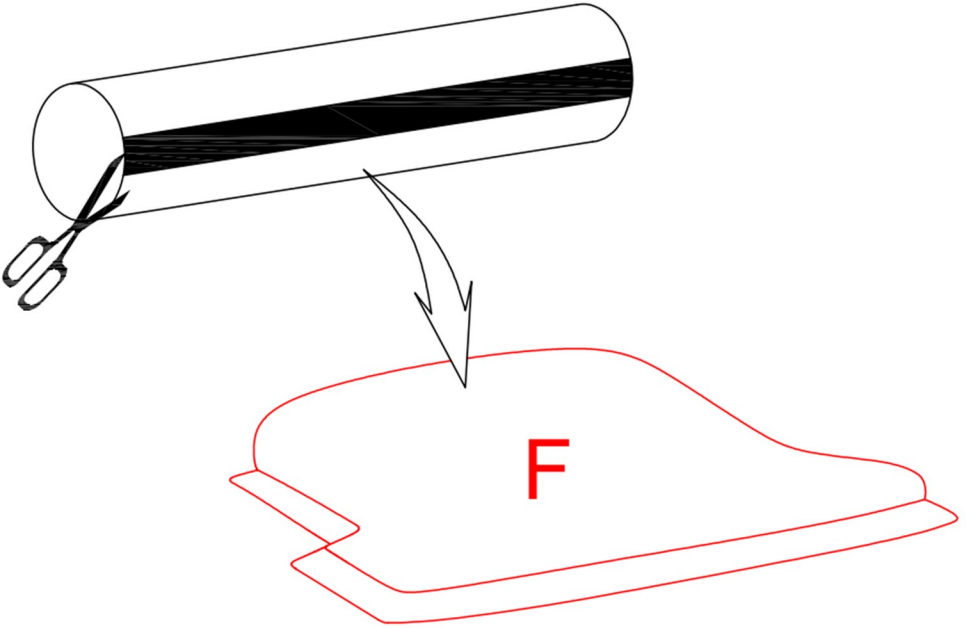


Allen key

Please make sure all hardware & packing material fitting the list. Especially some small accessories may be missing during transportation. Please contact us if you have any question.

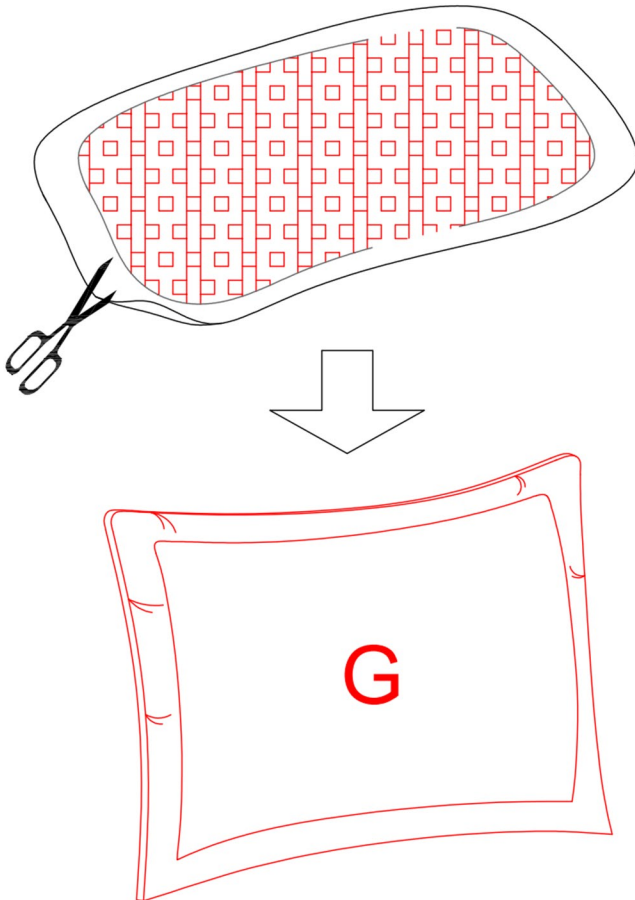
step 1

Cut open the compression bag along the paper strip on the roll bag. Remove the cushion and let them rest to recover their shape. Full recovery may take up to **72** hours, but you can gently slap the sofa to speed up the process.



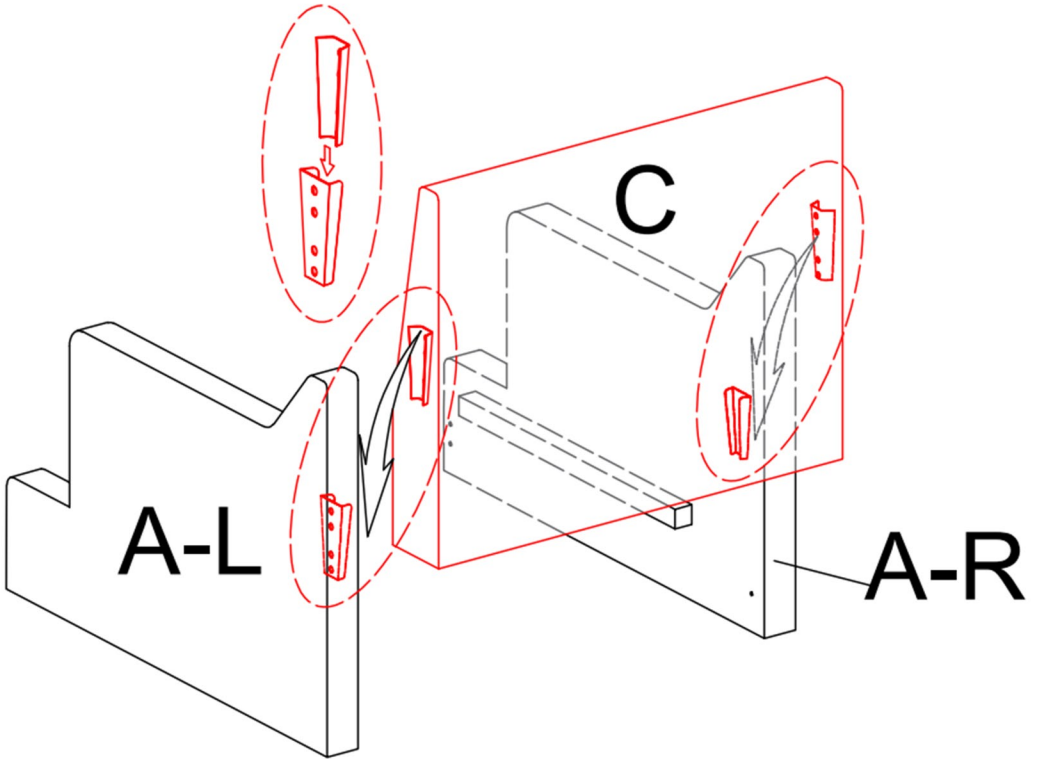
step 2

Cut the plastic air compression bags, and take out cushions (G). Place them on the side for recover to their original shape, the whole process might take up to **48** hours, you may gently slap on them to speed up the process.



step 3

Place the armrests (A-L) and (A-R) at the shown position, and insert the connectors on both sides of the backrest (C) into the slots on the armrests. Make sure the connectors are correctly aligned.



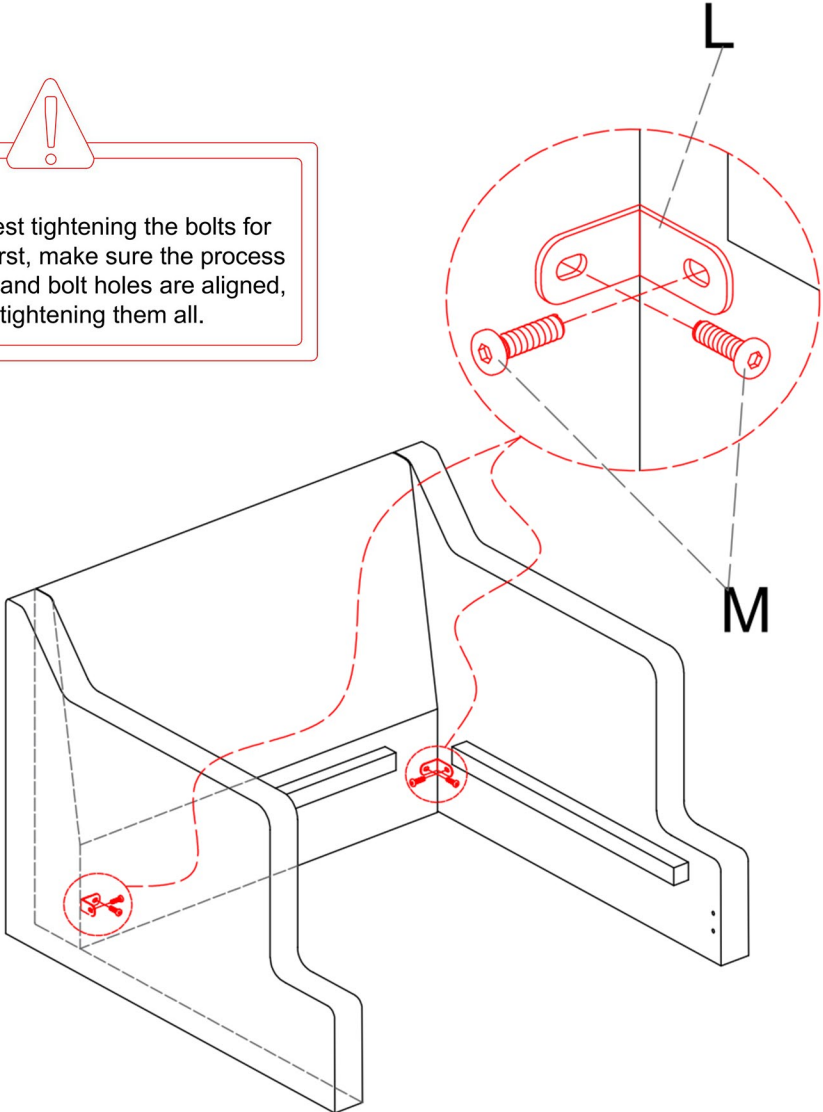
step 4

Install the L-shaped iron (L) at the corners of the backrest and armrests, use the allen wrench provided to tighten all the bolts.




Notice:

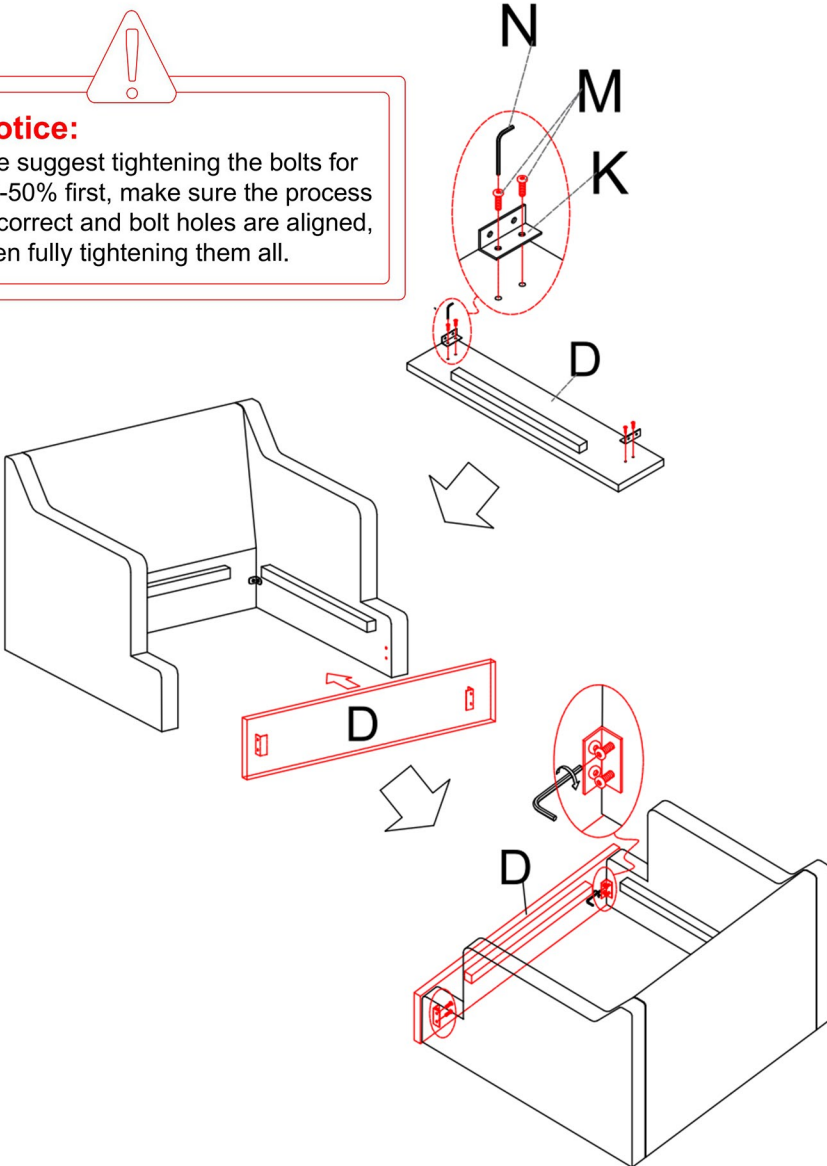
We suggest tightening the bolts for 30-50% first, make sure the process is correct and bolt holes are aligned, then fully tightening them all.



step 5

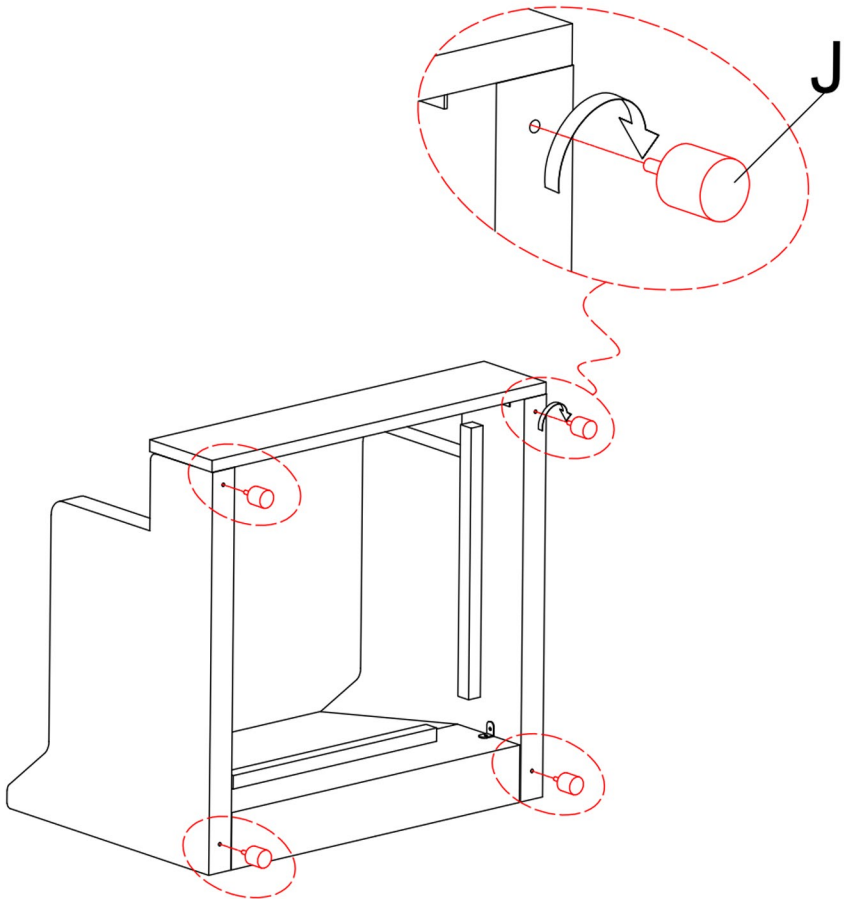
First install the L-shaped irons (K) to the front panel (D), use the allen wrench provided to tighten the bolts. Then connect the front panel to the armrests (A-L) and (A-R) by tightening the bolts on the L-shaped irons (K) as shown.


Notice:
We suggest tightening the bolts for 30-50% first, make sure the process is correct and bolt holes are aligned, then fully tightening them all.



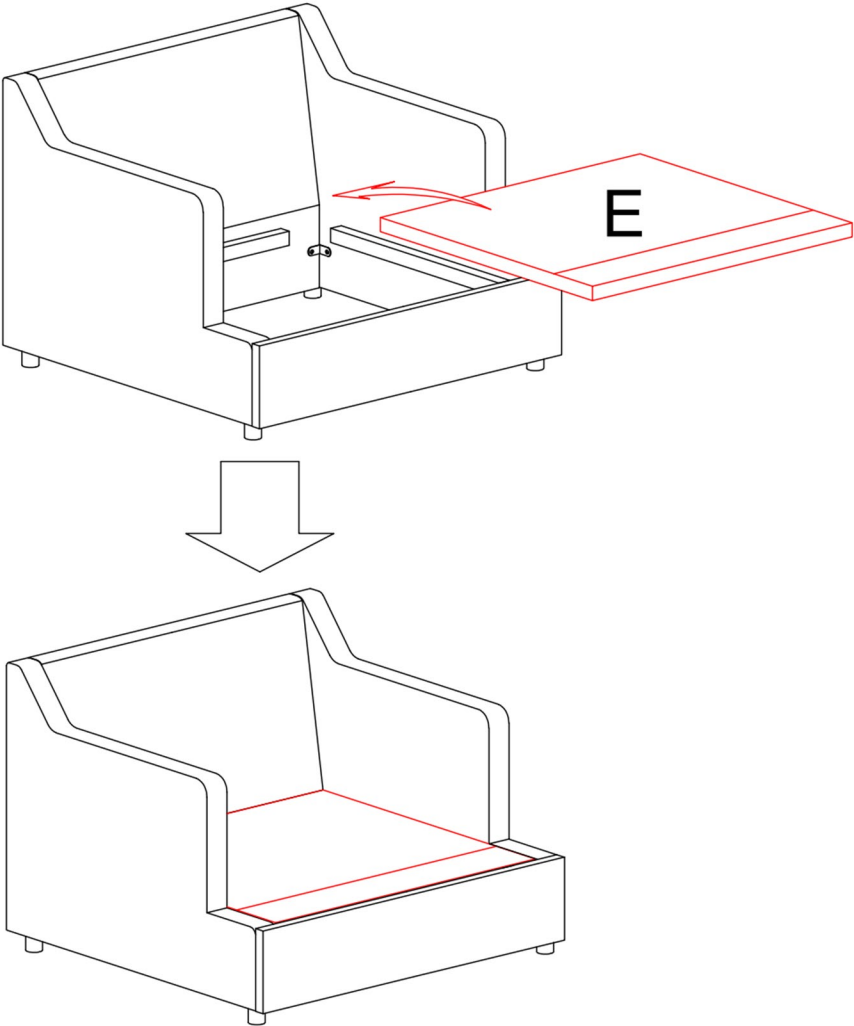
step 6

Flip the sofa frame on its side as shown, then twist the legs (J) clockwise into each corner.



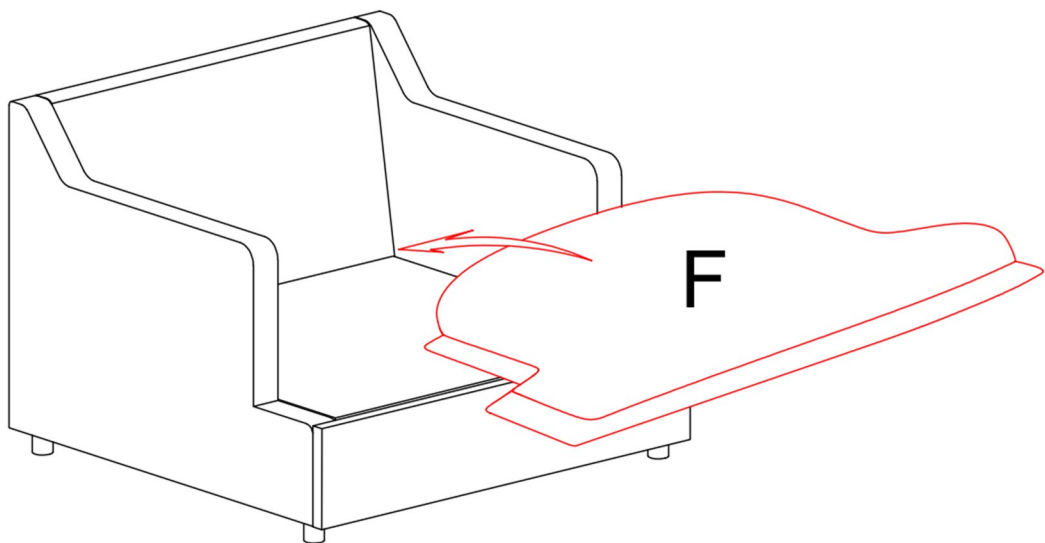
step 7

Place the seat frame (E) at the shown position.



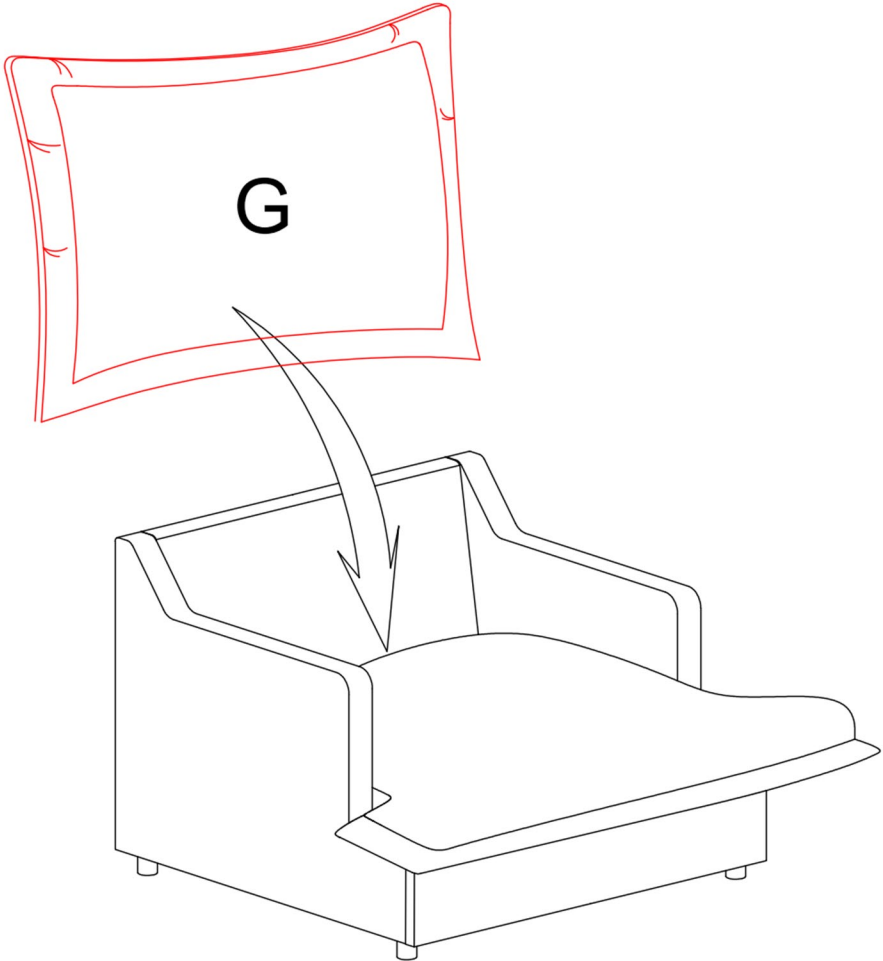
step 8

Place the seat cushion (F) on the sofa as shown.



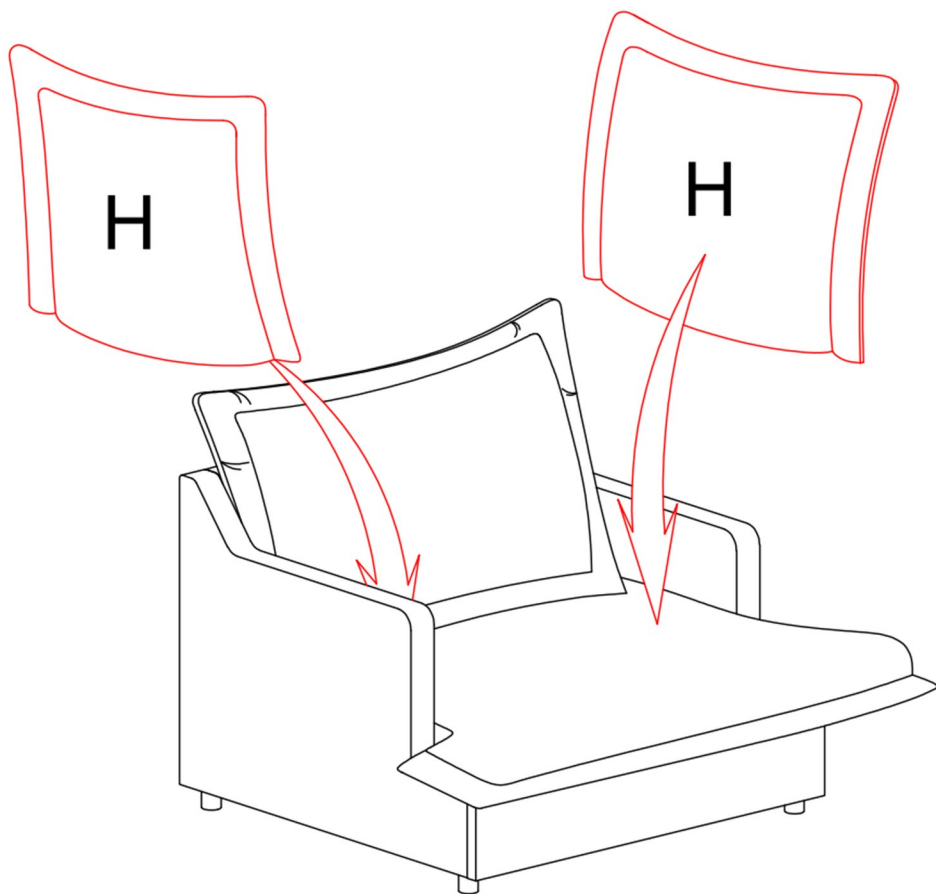
step 9

Place the back cushion (G) on the sofa as shown.



step 10

Place the armrest cushions (H) on the sofa as shown.



step 11

Congratulations! You have finished the assembly, thank you again for choosing our product! Please enjoy!

