

# ASSEMBLY INSTRUCTIONS

## TOOLS REQUIRED:

Allen Wrench (supplied, part # D)

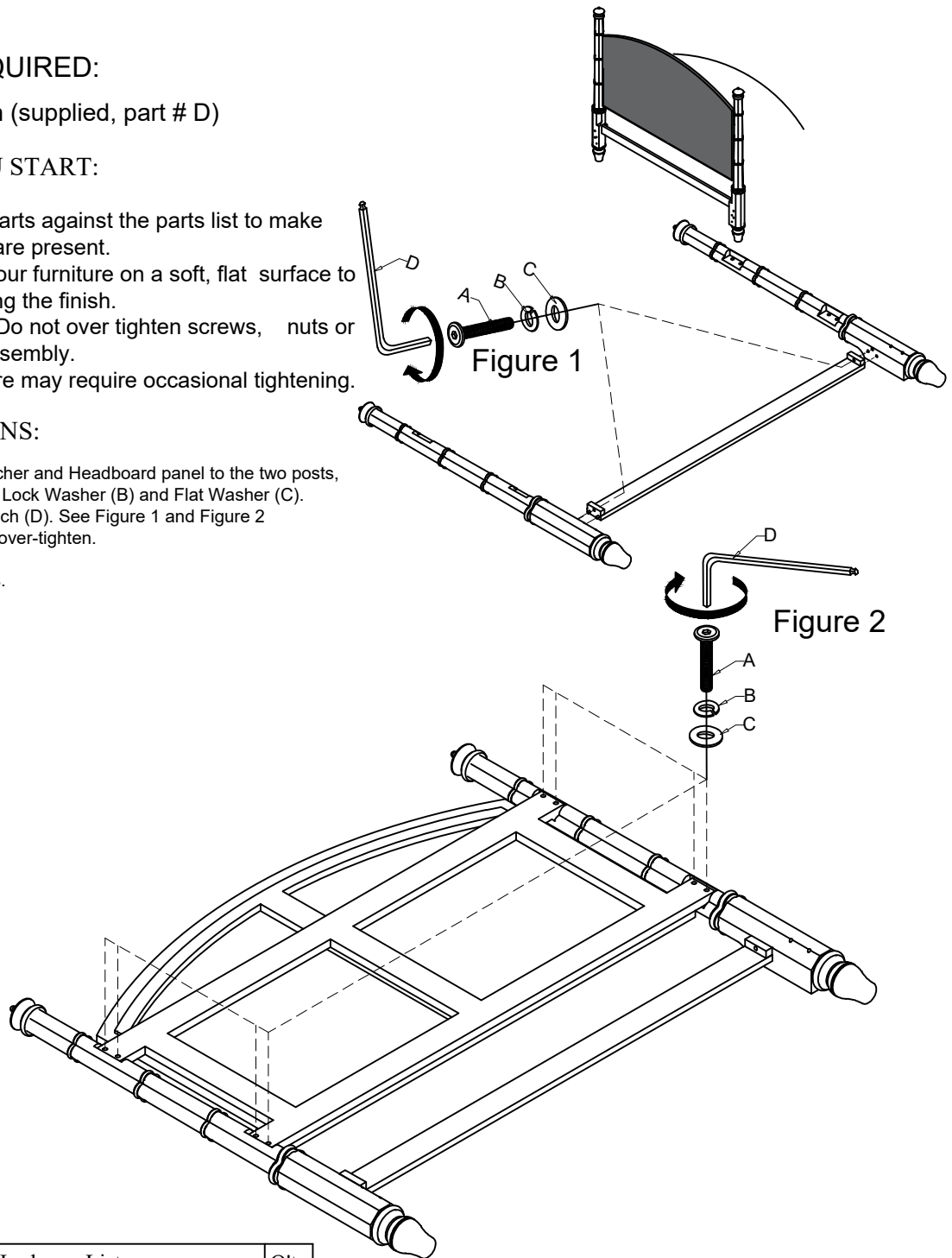
## BEFORE YOU START:





1. Check the parts against the parts list to make sure all items are present.
2. Assemble your furniture on a soft, flat surface to avoid scratching the finish.
3. **CAUTION:** Do not over tighten screws, nuts or bolts during assembly.
4. Your furniture may require occasional tightening.

## INSTRUCTIONS:

1. Attach the stretcher and Headboard panel to the two posts, using the Bolt (A), Lock Washer (B) and Flat Washer (C). Tighten with Wrench (D). See Figure 1 and Figure 2  
Important: Do not over-tighten.

2. Tighten all bolts.



No.	Hardware List	Q'ty
A	 Bolt Ø5/16"x1-3/4"	10
B	 Lock Washer Ø5/16"	10
C	 Flat Washer Ø5/16"	10
D	 Allen Wrench 5mm	1