

**ZEAFIVE<sup>®</sup>**

# DIMENSION DETAILS

## BATHROOM VANITY

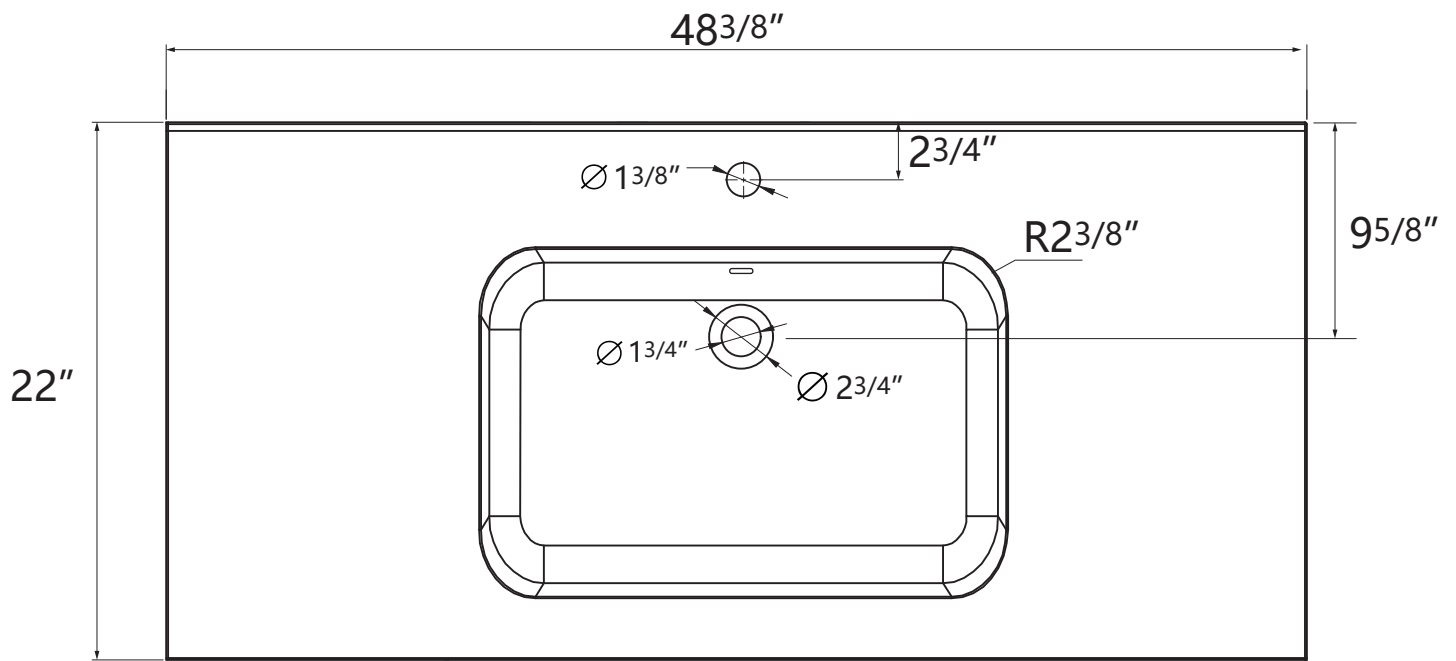
✉ Email: [service@bestgosupplychaininc.com](mailto:service@bestgosupplychaininc.com)

MODEL.  
**FA48**



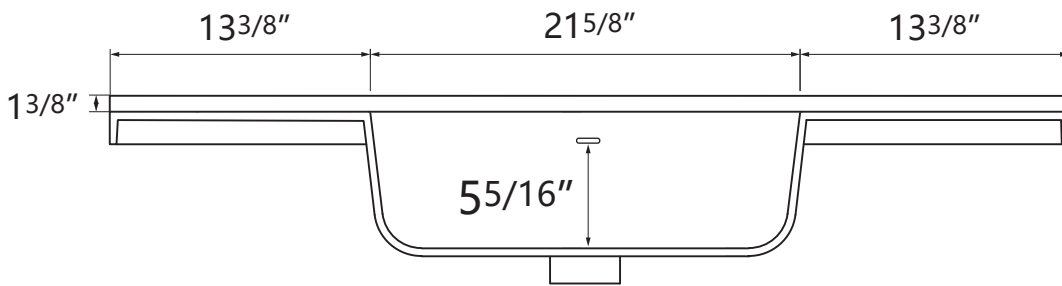
PRODUCT  
INSTRUCTION  
VIDEO



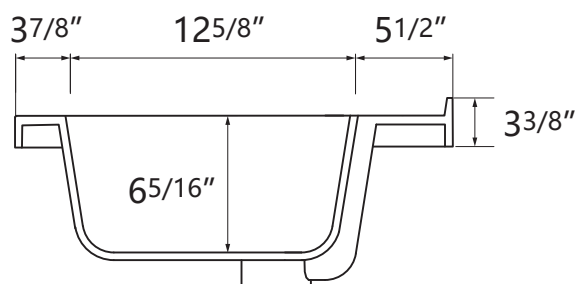


Top View

VANITY SIZE



Front View



Side View