



Important Safety Instructions:

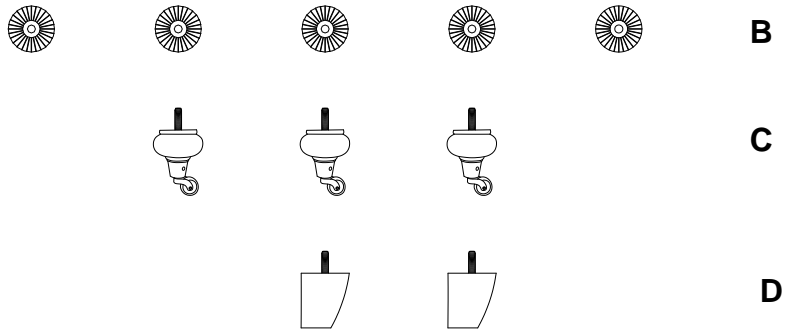
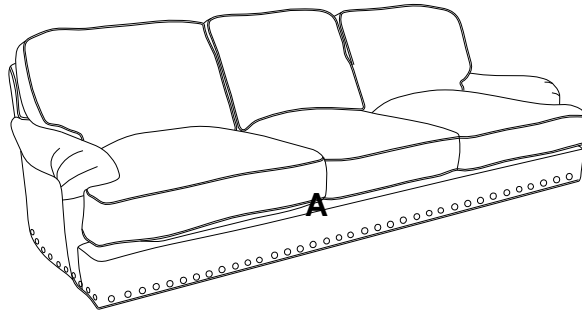
- Please read all instructions carefully before assembling.
- For your safety, assembly by two or more adults is strongly recommended.

Pre-assembly:

- Remove all parts and hardware from the box and lay out on a clear carpeted or scratch-free work surface, as this will avoid damaging parts during assembly. The shipping box provides an ideal work surface.
- Do not dispose of any packaging or contents of the shipping carton until assembly is completed to avoid accidentally discarding small parts or hardware.

Parts Included:

- | | | |
|-----|----------------|----|
| (A) | Seat | 1x |
| (B) | Plastic Washer | 5x |
| (C) | Front Legs | 3x |
| (D) | Rear legs | 2x |



Assembly Instruction Steps:

1. Carefully turn the Seat (A) onto its side lying on a smooth scratch free surface. Screw the front Legs (C) and rear legs (D) through the plastic washer (B) into Seat (A) as shown. Then carefully turn the seat upright.

