





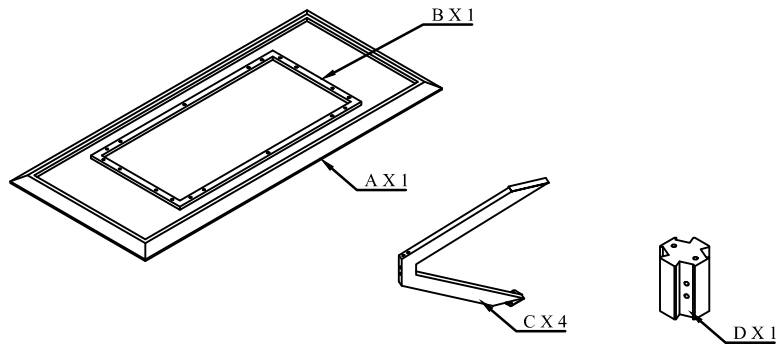


DINING TABLE

ASSEMBLY INSTRUCTIONS

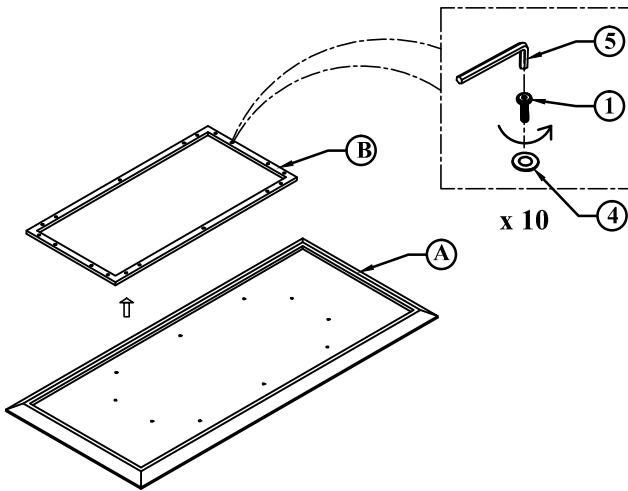
LIST OF HARDWARE

No.	Hardware	Q.ty
①	Bolts M6 x 35 	10
②	Bolts M6 x 20 	08
③	Bolts M6 x 100 	08
④	Washers M6 	28
⑤	Allen key K4 	01
⑥	Wrench 13 	01

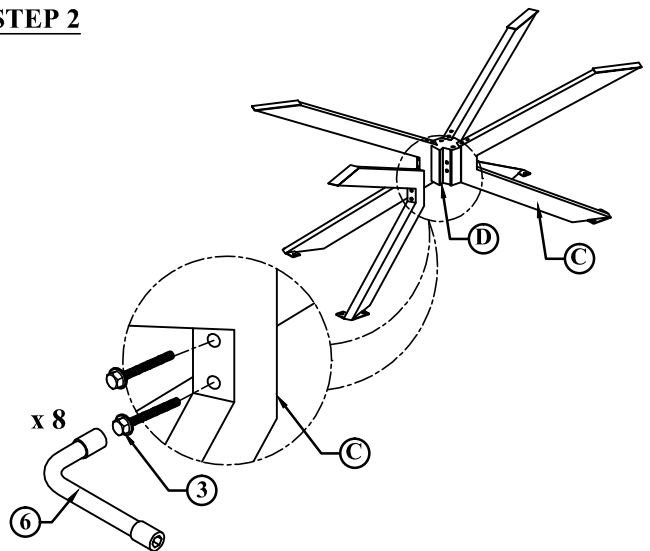


Pls do not tighten the screws and bolts before fully assembled

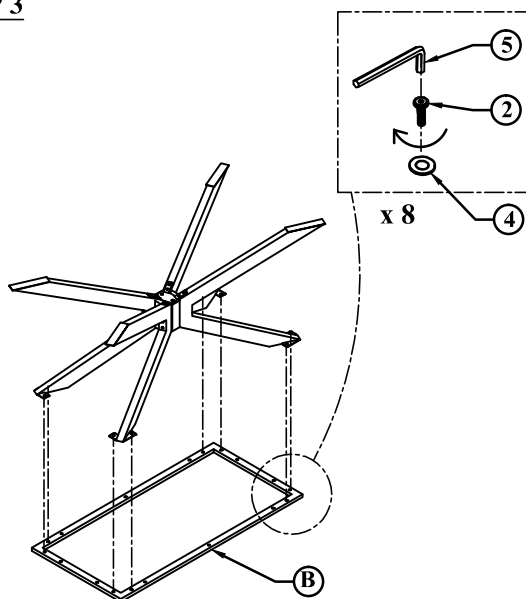
STEP 1 Remove the metal frame on the top table



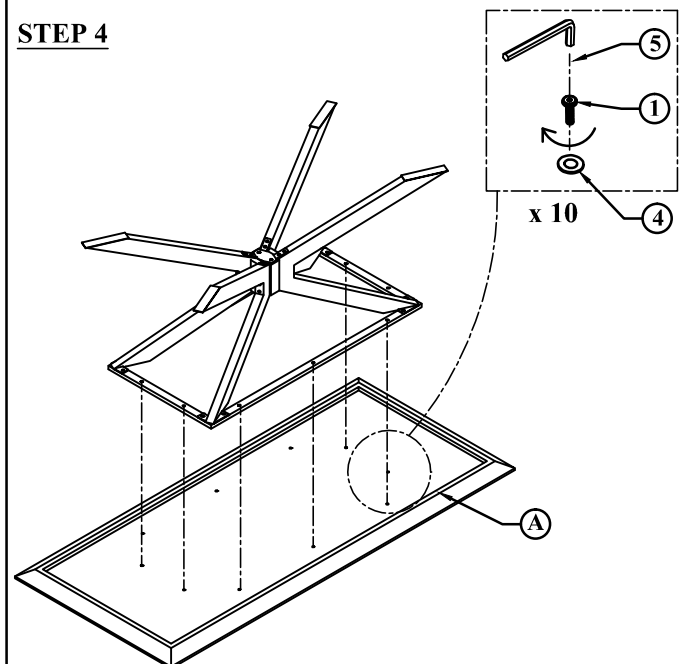
STEP 2



STEP 3



STEP 4



DINING TABLE
ASSEMBLY INSTRUCTIONS

FINISH

