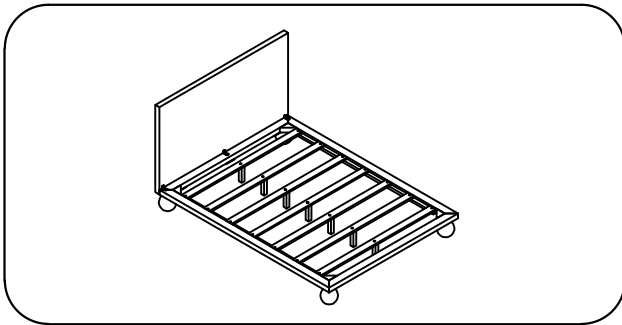
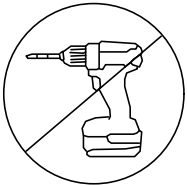


ASSEMBLY INSTRUCTIONS

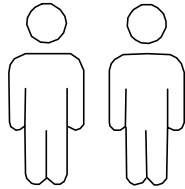
QUEEN BED



+ Do Not Use Power Tools



+ Suggested Adults



NOTE:

- 1 Read instructions cover to cover.
- 2 Save all packaging until assembly is completed.

1 IMPORTANT SAFETY INFORMATION

Do not assemble the product if any of the following parts arrived damaged:

| | |
|---------------------------|-----------------------------|
| Part 1 - HEADBOARD | Part 4 - SUPPORT LEG |
| Part 2 - BED FRAME | Part 5 - LEG BALL |
| Part 3 - BED SLAT | |

Do not assemble if any of the following Hardware parts are missing:

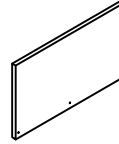
| | |
|-------------------------------|-------------------------------|
| Part A - Flat Washer | Part D - Allen Key |
| Part B - Spring Washer | Part F + H - L Bracket |
| Part C + E - Bolt | Part G - Screw |

2 IMPORTANT ASSEMBLY INFORMATION

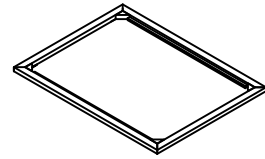
Assembly Step If loosening persists, please make sure to tighten all the bolts periodically, or use a thread locker adhesive.

+ Parts Included

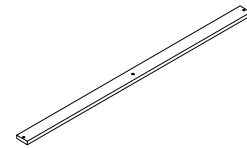
① **HEADBOARD**
(1 pc)



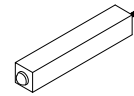
② **BED FRAME**
(1 pc)



③ **BED SLAT**
(7 pcs)



④ **SUPPORT LEG**
(7 pcs)



⑤ **LEG BALL**
(4 pcs)



+ Hardware Included

A: Flat Washer(1/4"xØ16)
(6 pcs)



B: Spring Washer (1/4"x Ø12)
(6pcs)



C: Bolt (1/4" x 1")
(6 pcs)



D: Allen Key (#4 x 3-1/8")
(1 pc)



E: Bolt (5/16" x 1")
(18 pcs)



F: L Bracket 130*100*85*5mm
(3 pcs)



H: L Bracket 45*22*2mm
(3 pcs)

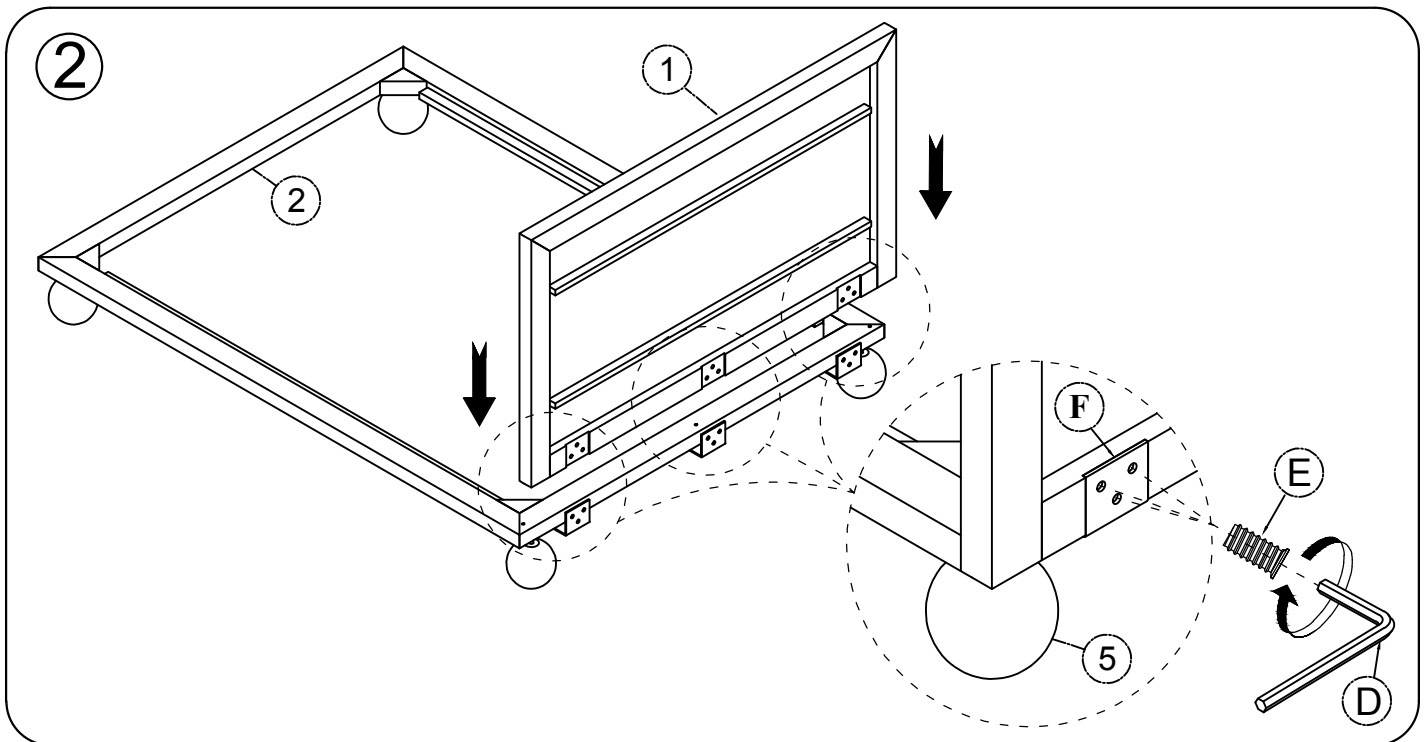
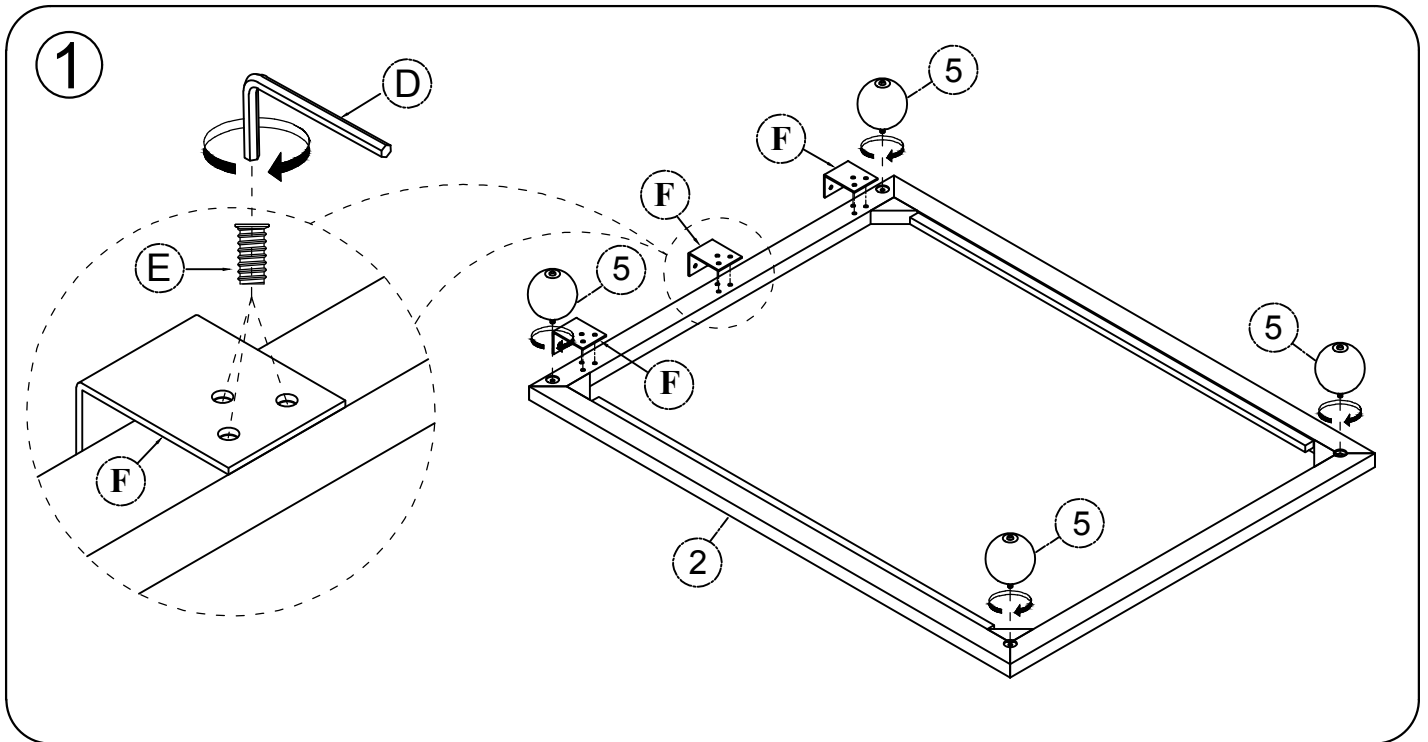


G: Screw (Ø4 x 30mm)
(14 pcs)



ASSEMBLY INSTRUCTIONS

QUEEN BED



ASSEMBLY INSTRUCTIONS

QUEEN BED

