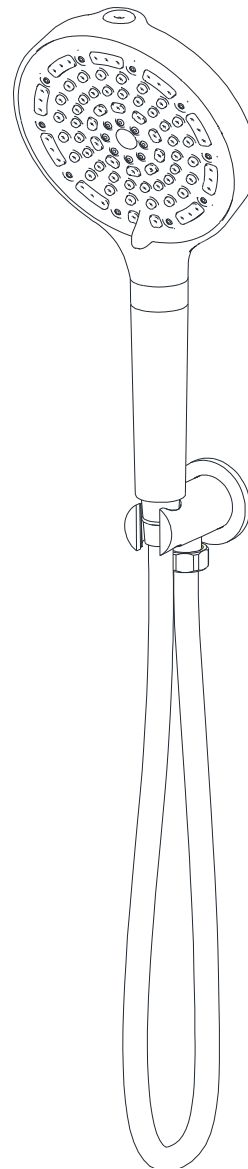
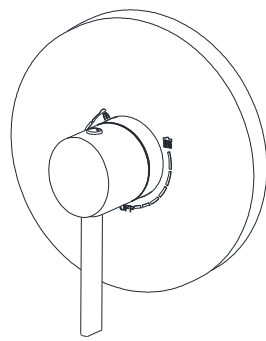


**INSTALLATION GUIDE**



**WALL MOUNT SHOWER SYSTEM**

MODEL	FINISH
S3243I-CH	CHROME
S3243I-BN	BRUSHED NICKEL
S3243I-BG	BRUSHED GOLD
S3243I-MB	MATTE BLACK

**HOT LINE: +1-866-203-0866**

## THANK YOU

Dear Valued Customer,

Thank you for choosing SUMERAIN products. We sincerely appreciate your recent purchase and hope you are fully satisfied with your new product. At SUMERAIN, all our products are meticulously designed, engineered, and rigorously tested to ensure long-lasting, trouble-free performance under normal conditions.

Installation is simple with basic tools and our step-by-step illustrated guide. We welcome your questions or feedback and look forward to assisting you in the future. For any inquiries, please contact us at +1-866-203-0866 or email us at [support@sumerain.com](mailto:supports@sumerain.com).

Thank you again for selecting SUMERAIN. We remain dedicated to providing exceptional customer service.

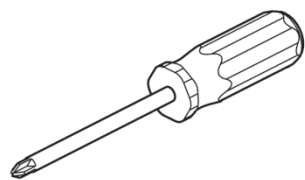
Sincerely,

SUMERAIN Customer Service Department

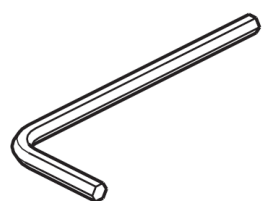
## BEFORE PROCEEDING

1. Unpack the product and ensure all components are included in the package. Keep the product in its original packaging until you are ready to install it to prevent damage.
2. Locate the water supply inlets and turn off the water supply valves, which are typically near the water meter or under the sink. If replacing an existing unit, remove the old one and thoroughly clean the mounting surface.
3. Follow all applicable local and state plumbing and building codes to ensure proper installation.
4. If you are uncertain about the installation process, we strongly recommend consulting a professional to avoid potential issues.

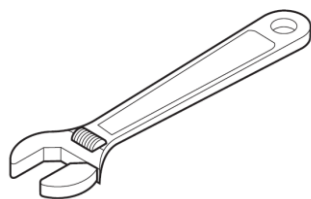
## TOOLS RECOMMENDED



Philips Screwdriver



Allen Wrench



Adjustable Wrench



Channel Locks



Teflon Tape

## LIMITED LIFETIME CONSUMER WARRANTY

VERSION: 140320.15.3

This product is manufactured and rigorously tested to meet the highest quality standards by HONGKONG SUMERAIN SANITARY INDUSTRY Co., Limited ("SUMERAIN"). This warranty is exclusively applicable to SUMERAIN products purchased by consumers in the United States on or after January 1, 2020. If a faucet develops leaks or drips during normal usage, SUMERAIN will provide the required faucet cartridge to the purchaser, free of charge, to restore the faucet to proper working condition. For any defects identified under normal residential use, SUMERAIN may, at its discretion, repair the product, supply replacement parts or products, or make necessary adjustments to ensure optimal functionality.

### WHO IS COVERED BY THE WARRANTY

This warranty exclusively covers the original consumer purchaser, including those who purchased through online retail platforms. Customers specifically covered under the "Online Consumer Limited Lifetime Warranty & Return Policy" are also included. Please note that this warranty is non-transferable and cannot be assigned to any other individual or entity.

### WHAT IS COVERED BY THE WARRANTY

This warranty applies exclusively to SUMERAIN-manufactured products purchased by the consumer. SUMERAIN warrants against defects in materials or workmanship under normal installation, use, service, and maintenance. If the product or its components are found to be defective due to faulty materials or workmanship, SUMERAIN will, at its discretion, provide free replacement parts or replace the entire product.

### FINISH WARRANTY

Customers are responsible for inspecting the product for any material or finish defects within three days of receipt. Please note that surface finish defects are not covered under warranty once the fixture has been installed.

### ELECTRONIC FAUCETS WARRANTY

SUMERAIN warrants its LED components, including electronic faucets, valves, controllers, and battery-powered devices, against material and manufacturing defects for one year from the date of purchase under normal use. The water flow impeller power device (LED power generation unit) is covered against manufacturing defects for three months from the date of purchase.

### LENGTH OF WARRANTY

As stated in the following, any replacement or repaired parts of the product will be covered for the duration of this warranty, which SUMERAIN provides for a period of 1 year from the original date of purchase.

### CIRCUMSTANCES THAT SUMERAIN WILL NOT WARRANT AND PAY FOR:

- A. Conditions, malfunctions, or damage that are not caused by defects in material or workmanship are not covered under the warranty.
- B. Conditions, malfunctions, or damage resulting from normal wear and tear, improper installation, improper maintenance, misuse, abuse, negligence, accidents, alterations, or the use of abrasive or caustic cleaning agents, "no-rinse" cleaning products, or operation contrary to the provided instructions, including issues caused by home conditions such as excessive water pressure or corrosion, are excluded from the warranty.
- C. Labor costs or other expenses related to the disconnection, deinstallation, or return of the product for warranty service, as well as the installation or reinstallation of the product, are not covered under the warranty.
- D. Accessories, connected materials, and related products (including but not limited to hand shower flexible hoses, spray flexible hoses, hand showers, and showerheads) that are not manufactured by SUMERAIN are excluded from warranty coverage.

### TO OBTAIN WARRANTY PARTS OR INFORMATION

To obtain warranty parts or information, please follow these steps:

Contact your SUMERAIN retailer, call the technical service line at +1-866-203-0866, or email [supports@sumerain.com](mailto:supports@sumerain.com).

When applying for warranty service, provide the following information:

- a. A sales receipt or proof of purchase date and platform.
- b. A detailed description of the issue.
- c. Ship the product or defective parts to the designated SUMERAIN warehouse in the United States with prepaid postage. Ensure the items are carefully packaged and insured. Once the warranty service is completed, repaired or replaced products or parts will be returned to you with prepaid postage.

If you have further questions or require additional assistance, please contact SUMERAIN using the information provided above.

### EXCLUSIONS & LIMITATIONS

Under the terms of this warranty, repair, replacement, or, in limited cases, a refund of the purchase price is the sole remedy available to the purchaser. SUMERAIN assumes no obligations or liabilities and does not authorize any individual to create obligations or liabilities related to this product. SUMERAIN is not liable for any incidental, special, or consequential damages resulting from a breach of this warranty or any implied warranties, including merchantability. Please note that some states do not allow the exclusion or limitation of incidental or consequential damages, so the above limitations or exclusions may not apply to you. This warranty provides specific legal rights, and you may also have additional rights that vary by state. Before filing any legal action under the Magnuson-Moss Warranty Act, you may be required to provide SUMERAIN with a reasonable opportunity to address or resolve any non-compliance.

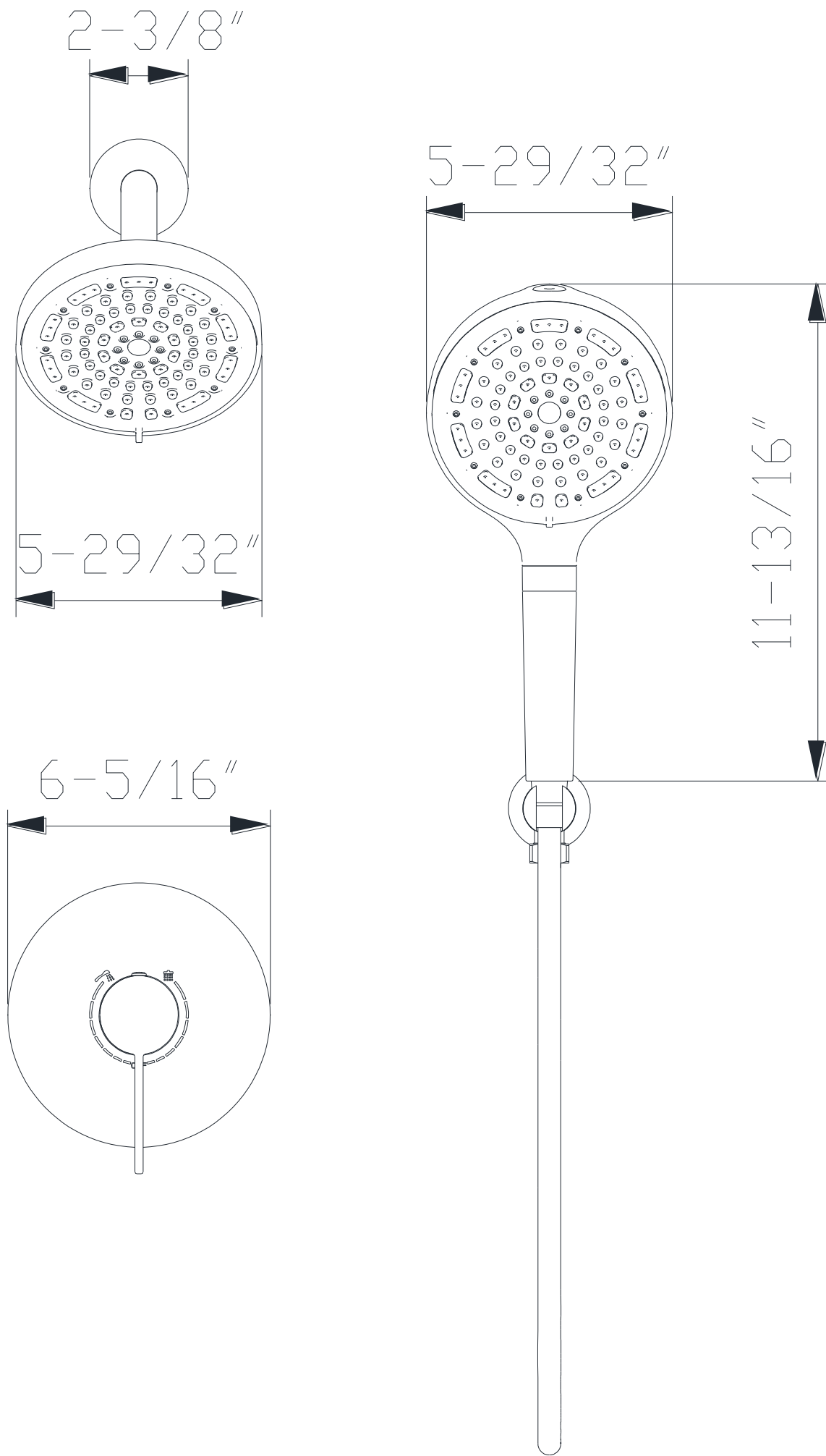
### PRODUCT INSTRUCTIONS & QUESTIONS

Prior to installation, we strongly recommend thoroughly inspecting your SUMERAIN product for any potential damage or visible defects caused during shipping. Carefully review the included instructions for proper installation, maintenance, and care procedures. If you have any questions regarding the use, installation, performance, or warranty of your SUMERAIN product, please contact us at +1-866-203-0866 or email [supports@sumerain.com](mailto:supports@sumerain.com). Our customer support team is available to assist with any concerns or inquiries you may have.

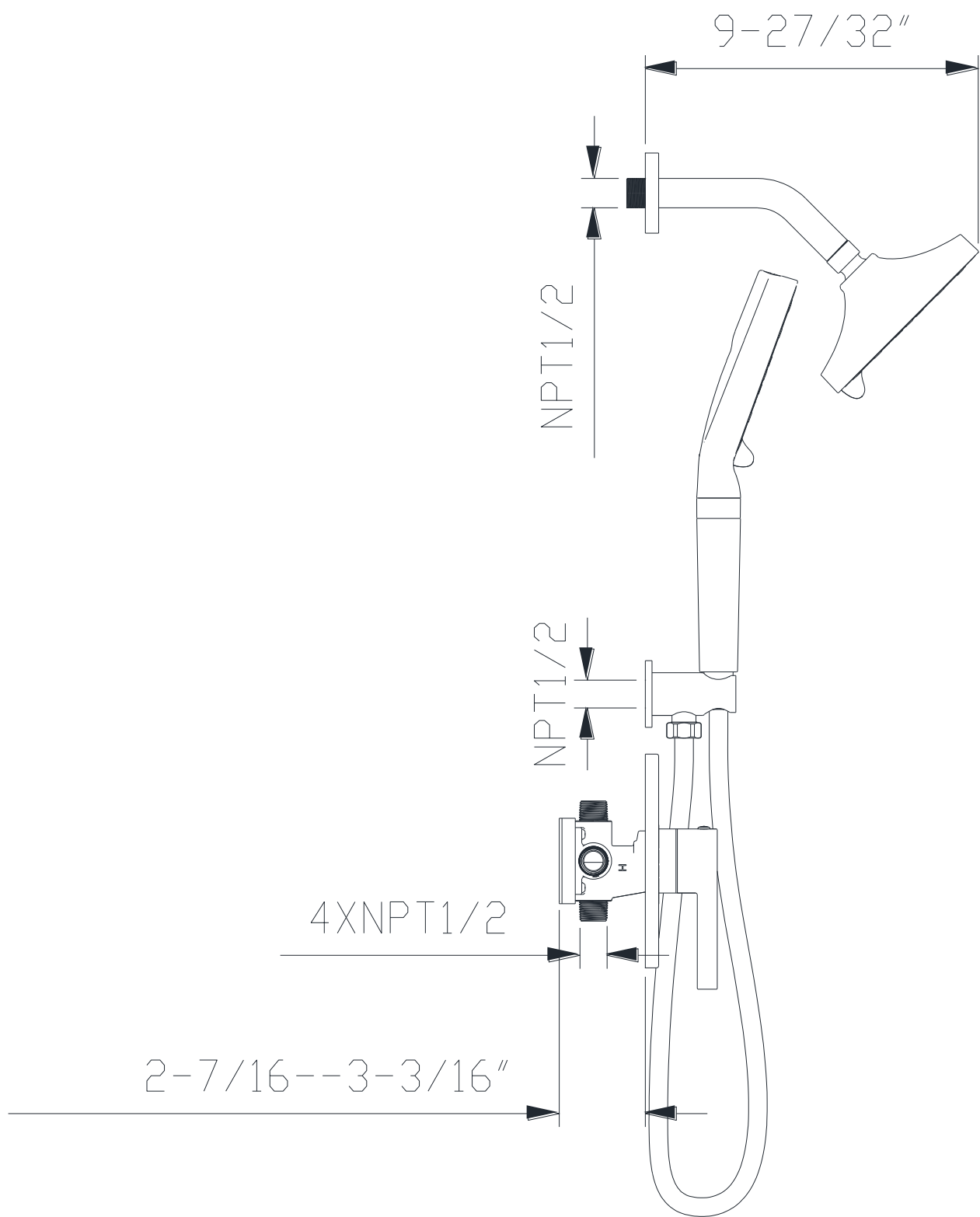
## FUNCTIONS & SPECIFICATIONS

<b>Faucet Type</b>	Shower System
<b>Feature</b>	Concealed Shower Faucet
<b>Theme</b>	Modern, Contemporary
<b>Mounting Type</b>	Wall Mount
<b>Finish</b>	Chrome, Brushed Nickel, Matte Black, Brushed Gold
<b>Number Of Handles</b>	One
<b>Handles Material</b>	Metal
<b>Handle Style</b>	Lever
<b>Shower Arm Reach</b>	9-27/32 Inch
<b>Showerhead Width</b>	5-29/32 Inch
<b>Showerhead Length</b>	5-29/32 Inch
<b>Valve Type</b>	Φ 35 Ceramic Cartridge
<b>Faucet Body Material</b>	Brass
<b>Escutcheon Material</b>	Zinc Alloy
<b>Diverter Included</b>	Yes
<b>Diverter Location</b>	Rough-in Valve
<b>Showerhead Type</b>	Rain Shower
<b>Showerhead Shape</b>	Circle
<b>Showerhead Function</b>	Five Function
<b>Showerhead Material</b>	Plastic
<b>Showerhead Flow Rate</b>	1.8 GPM@60PSI
<b>Hand Shower Flow Rate</b>	1.8 GPM@60PSI
<b>Elbow Material</b>	Brass
<b>Hand Shower Holder Material</b>	Brass
<b>Hand Shower Material</b>	Plastic
<b>Handheld Shower Height</b>	11-13/16 Inch
<b>Handheld Shower Width</b>	5-29/32 Inch
<b>Net Weight</b>	5.53 lbs
<b>Gross Weight</b>	7.50 lbs
<b>Packing Box [L x W x H]</b>	19-11/16Inch x13-19/32Inch x5-5/16Inch

**DIMENSION**



**FRONT VIEW OF SHOWER**



**SIDE VIEW OF SHOWER**

## INSTALLATION STEPS

### 1. BEFORE PROCEEDING



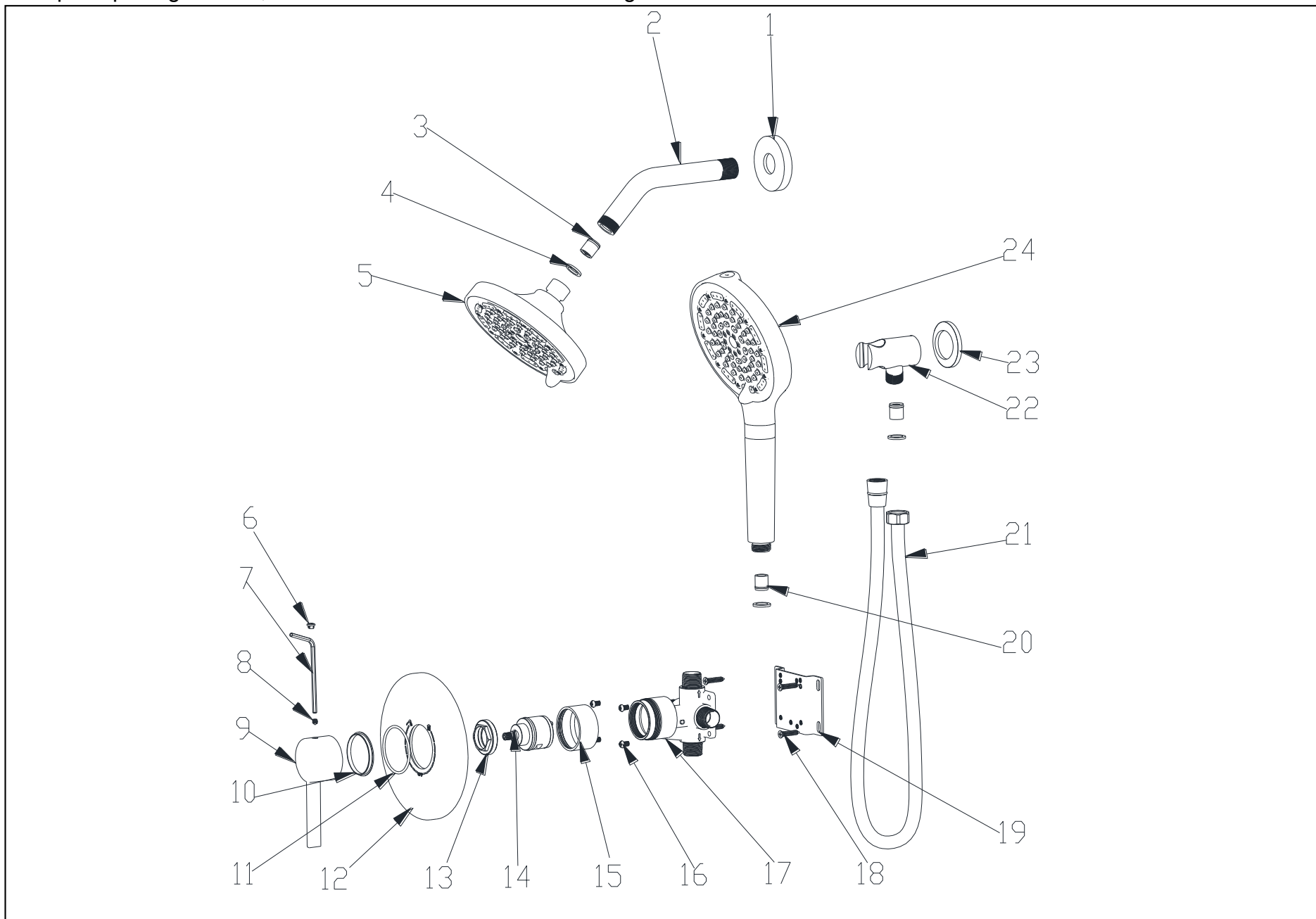
**WARNING:** Before proceeding with any operation, please read all instructions thoroughly. If you are uncertain about installing this product, please consult a professional! This product should be installed in accordance with all local and state plumbing and building codes. It is recommended to seek professional assistance.

### 2. SHUT OFF WATER SUPPLY

Locate the water supply inlets and shut off the corresponding water supply valves, typically found near the water meter. If replacing an existing unit, remove the old unit and thoroughly clean the mounting surface.

### 3. CHECKING THE CONTENTS OF THE BOX

Upon opening the box, check to ensure that all the following items are included.



NO	ITEM NAME	MATERIAL	QTY	PART NO.	NO	ITEM NAME	MATERIAL	QTY	PART NO.
1	Shower Arm Flange	SUS304	1	PFC00001XX	13	Bonnet	HPB59-1	1	PSC38125XX
2	Shower Arm	SUS304	1	PPI32181XX	14	Cartridge with 2 Outlet	ASSEMBLE	1	PCT35002XX
3	Check Valve	ASSEMBLE	2	PAE00044XX	15	Sleeve	HPB59-1	1	PSL32400XX
4	Rubber Washer	NBR	3	PRW19020XX	16	Set Screw	SUS304	4	PSC05085XX
5	Shower Head	ASSEMBLE	1	PTR32430XX	17	Valve Body	HPB59-1	1	PVB32401XX
6	Screw Cover	PVC	1	PSA00002XX	18	Set Screw	SUS304	4	PSC00004XX
7	Allen Wrench 2.8mm	Fe45#	1	PSA00003XX	19	Mounting Bracket	SUS304	1	PSA32400XX
8	Set Screw	SUS304	1	PSC05051XX	20	Check Valve	ASSEMBLE	1	PAE00043XX
9	Handle(lever)	Zn Alloy No.3	1	PHD32400XX	21	Shower Hose	ASSEMBLE	1	PFH00010XX
10	T-Washers	POM	1	PRW48452XX	22	Hand Shower Holder	ASSEMBLE	1	PHH32322XX
11	O-Ring	NBR	1	POR53025XX	23	Flange	HPB59-1	1	PFC32320XX
12	Escutcheon	Zn Alloy No.3	1	PCP32400XX	24	Handheld Shower	ASSEMBLE	1	PHS32420XX

If any of these items are missing, please contact SUMERAIN consumer service by email to: [support@sumerain.com](mailto:supports@sumerain.com).

## 4. PLANNING AND INSTALLATION INSTRUCTIONS



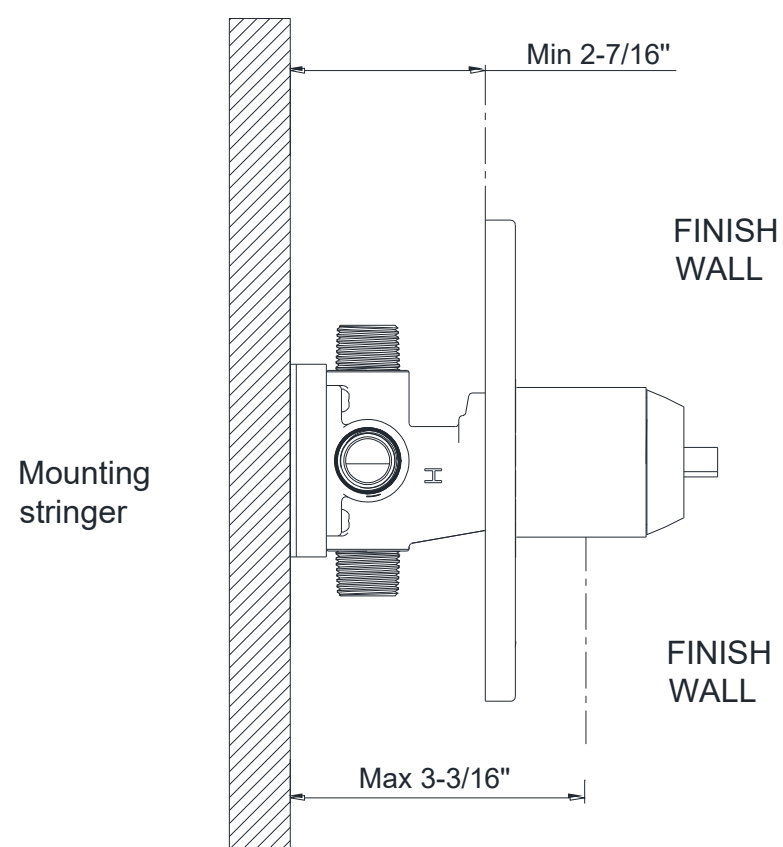
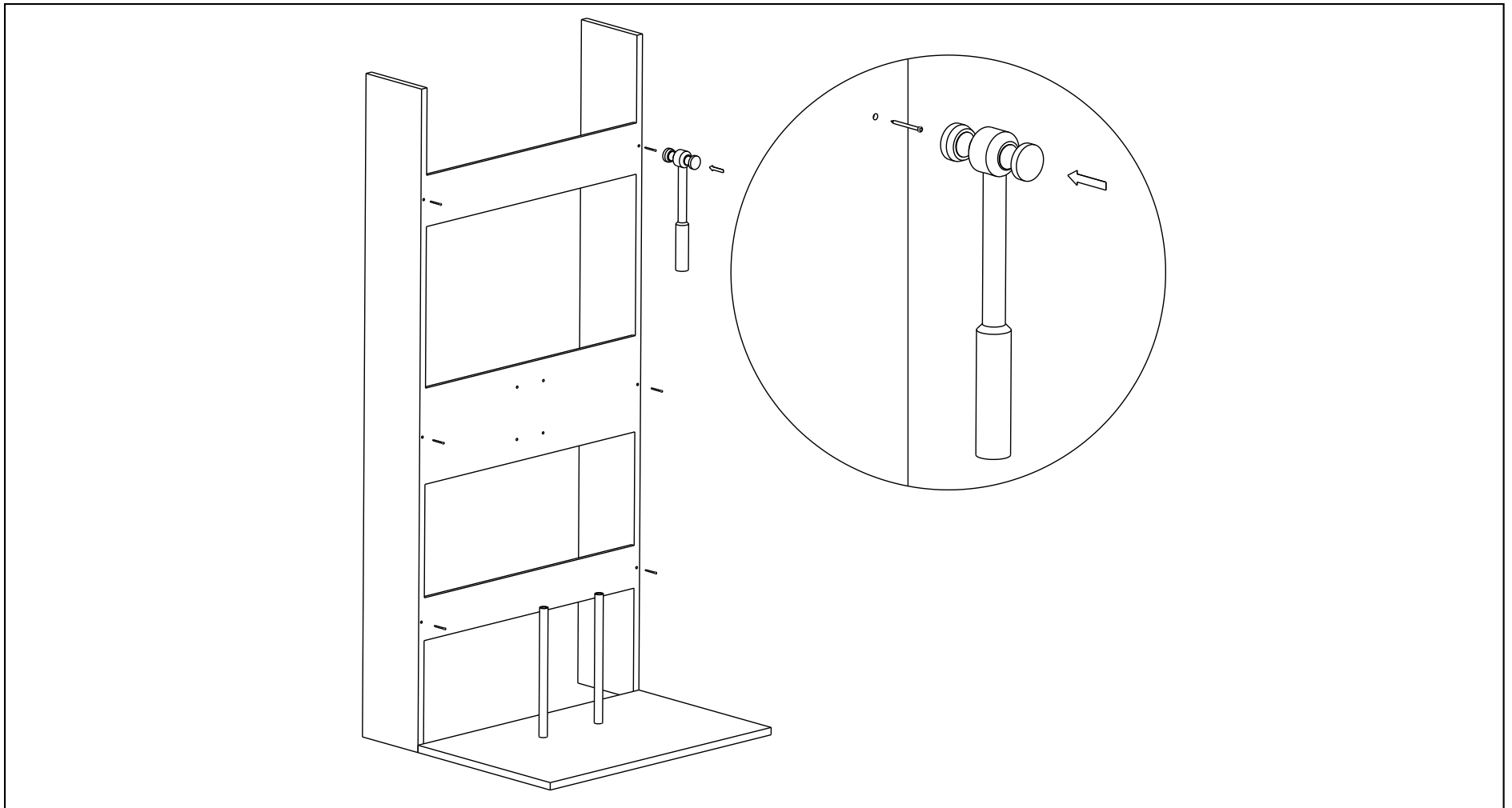
**Attention:** The shower must be installed, flushed, and inspected in accordance with applicable regulations to ensure proper functionality.

The dimensions of the shower setup must be determined individually to fit the installation requirements and comply with applicable guidelines.

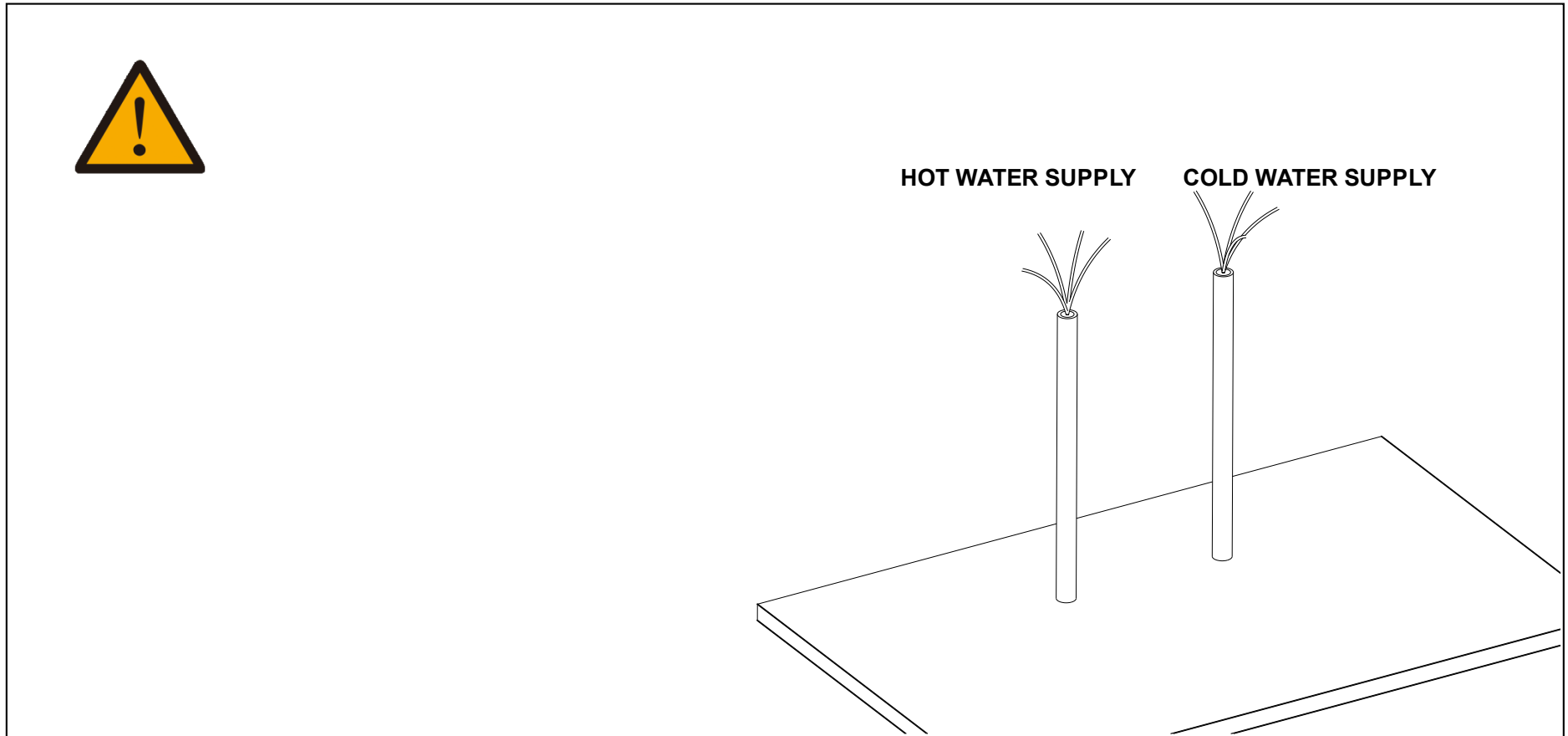
1. Operating pressure for the control valve:
  - Maximum: 145 PSI.
  - Recommended: 43.5 PSI.
2. Maximum hot water temperature: 140°F (60°C).

## 5. Rough-in Valve Installation

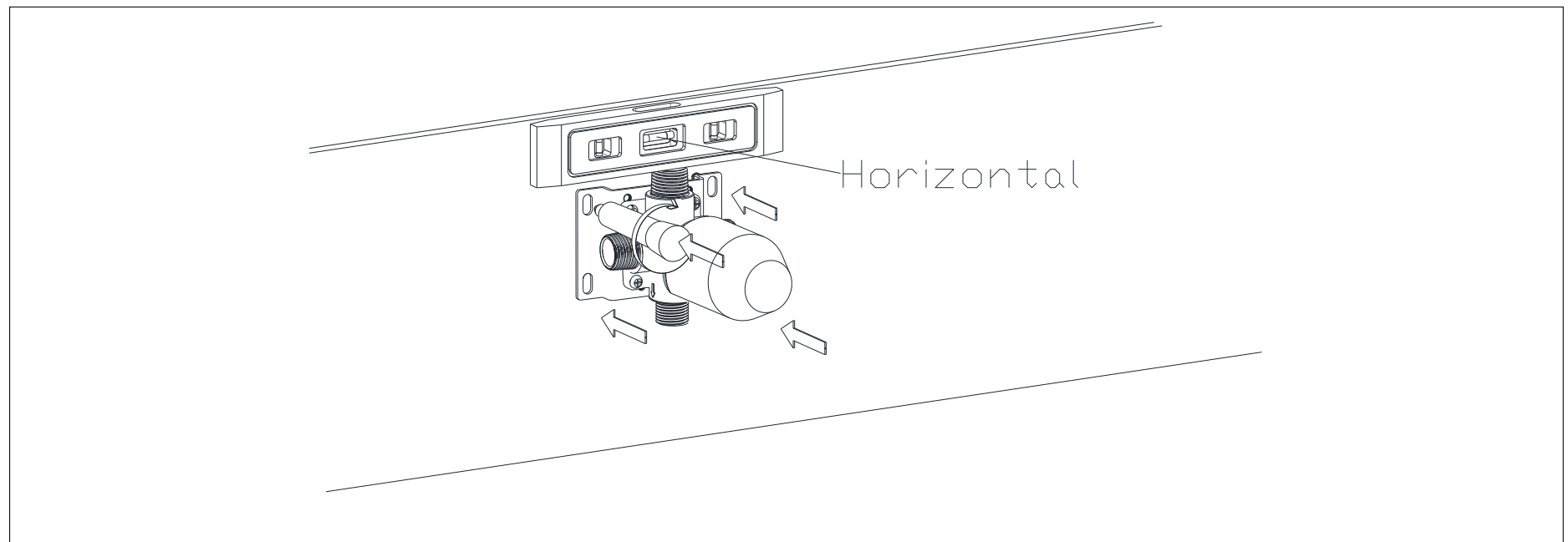
**5.1** Construct a wooden mounting rack to secure the rough-in valve assembly. Position the face of the mounting board between 2-7/16" and 3-3/16" behind the finished wall surface.



**5.2** Turn on your shut-off valve for cleaning the hot and cold water supply pipe before connect to the valve body, allow the water flush 3~5 minutes to flush out dirt and debris. Shut off the water supply again after finish.



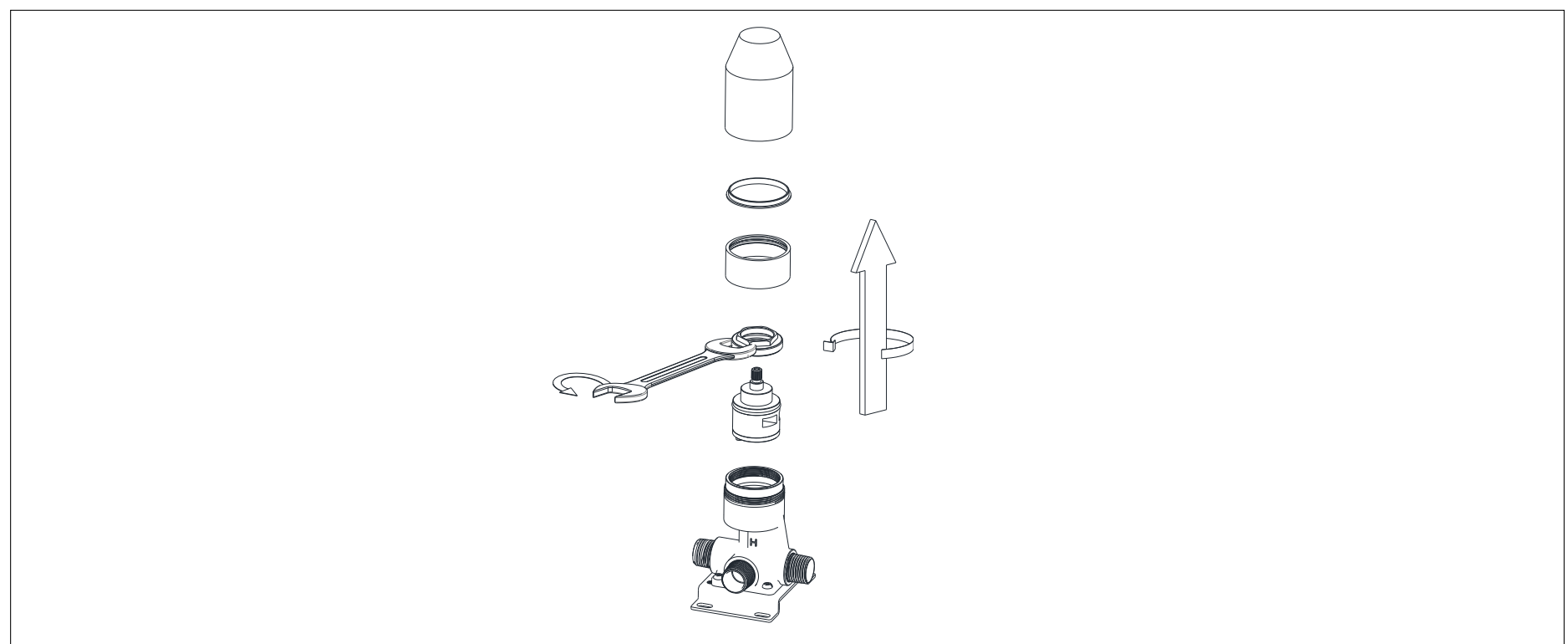
**5.3** Use a spirit level to position and level the valve assembly. Mark the rough-in valve's mounting holes on the mounting rack.



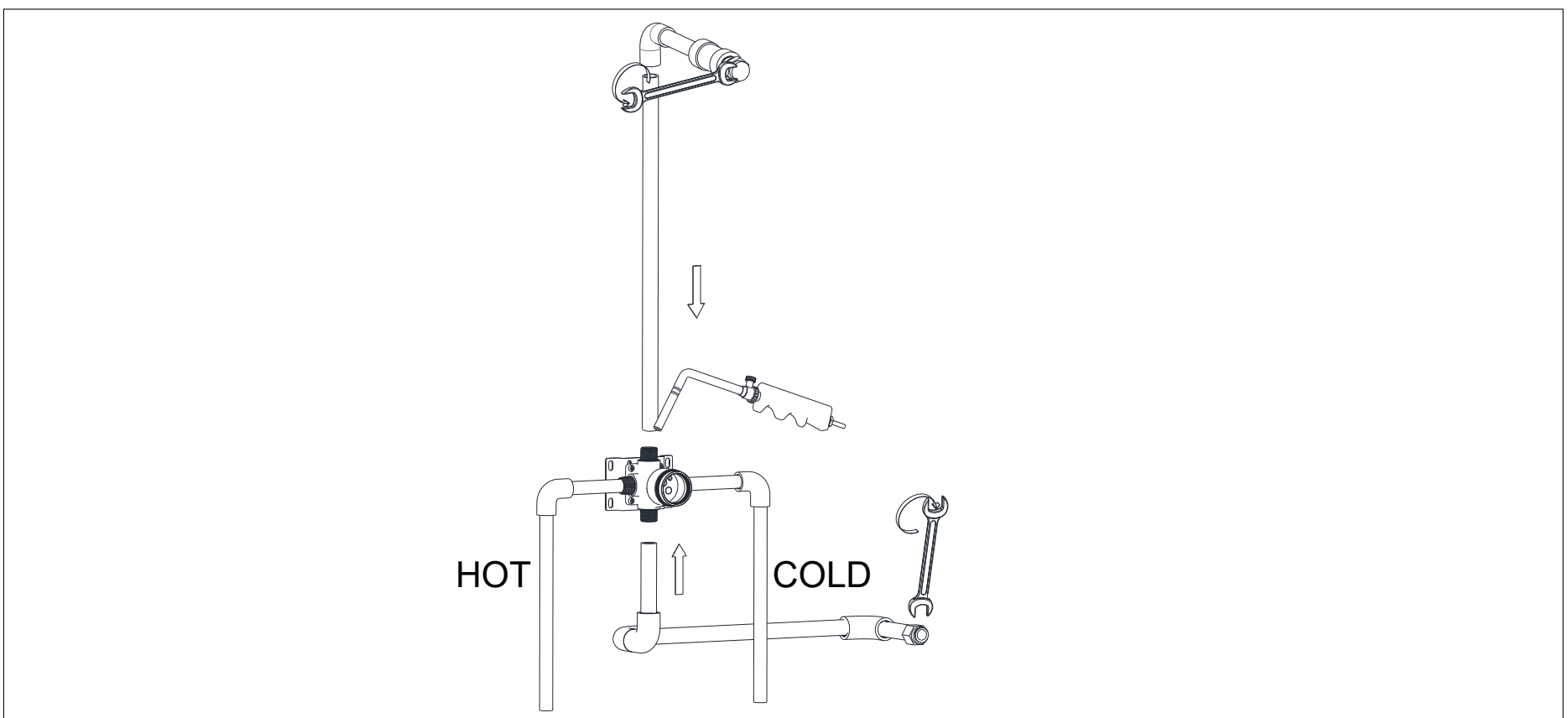
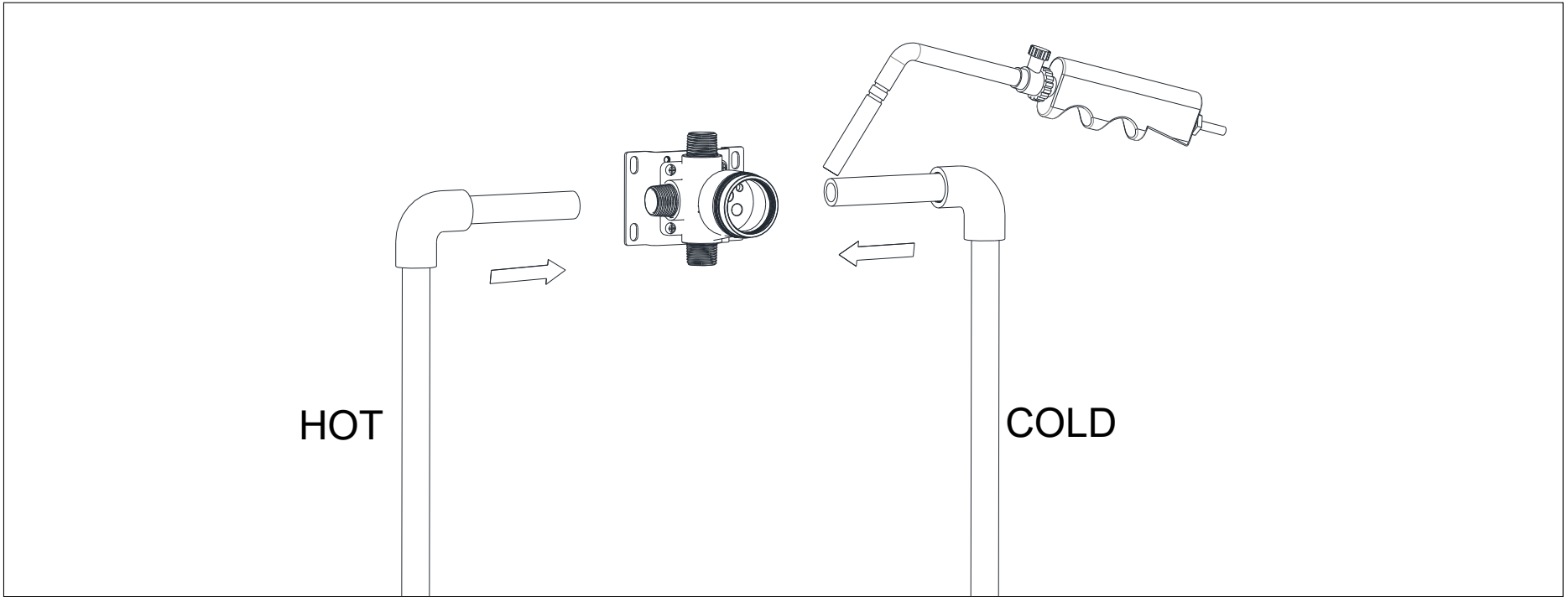
**5.4** Connect the valve body to the water supply system using the appropriate fittings for your valve type (copper tubing, iron pipe, or PEX).

**Note:** For PEX installations, ensure the use of proper crimp fittings and a compatible cold expansion tool for secure connections. For copper tubing:

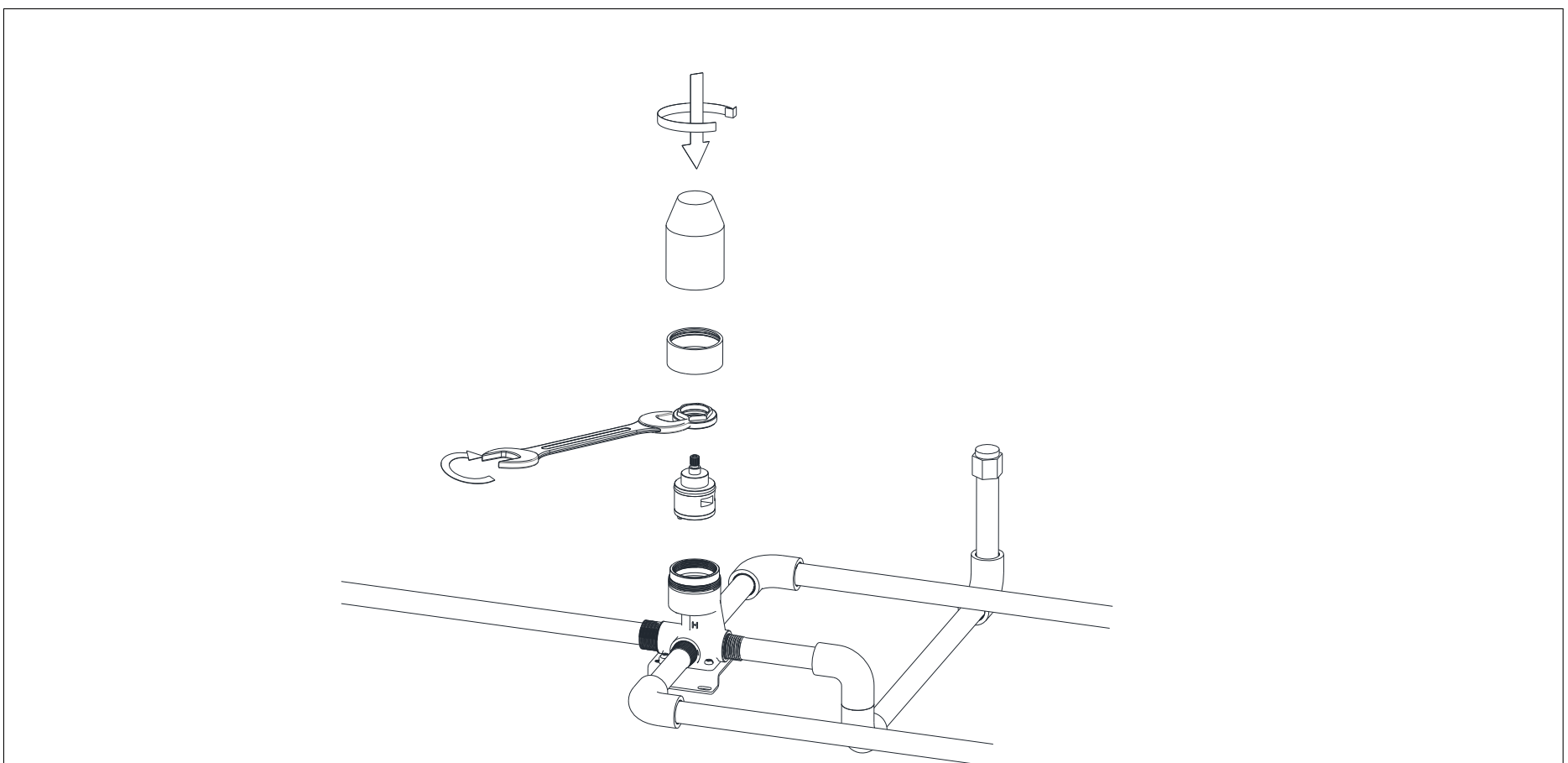
**5.4.1(a)** Remove the cartridge from valve body before soldering.



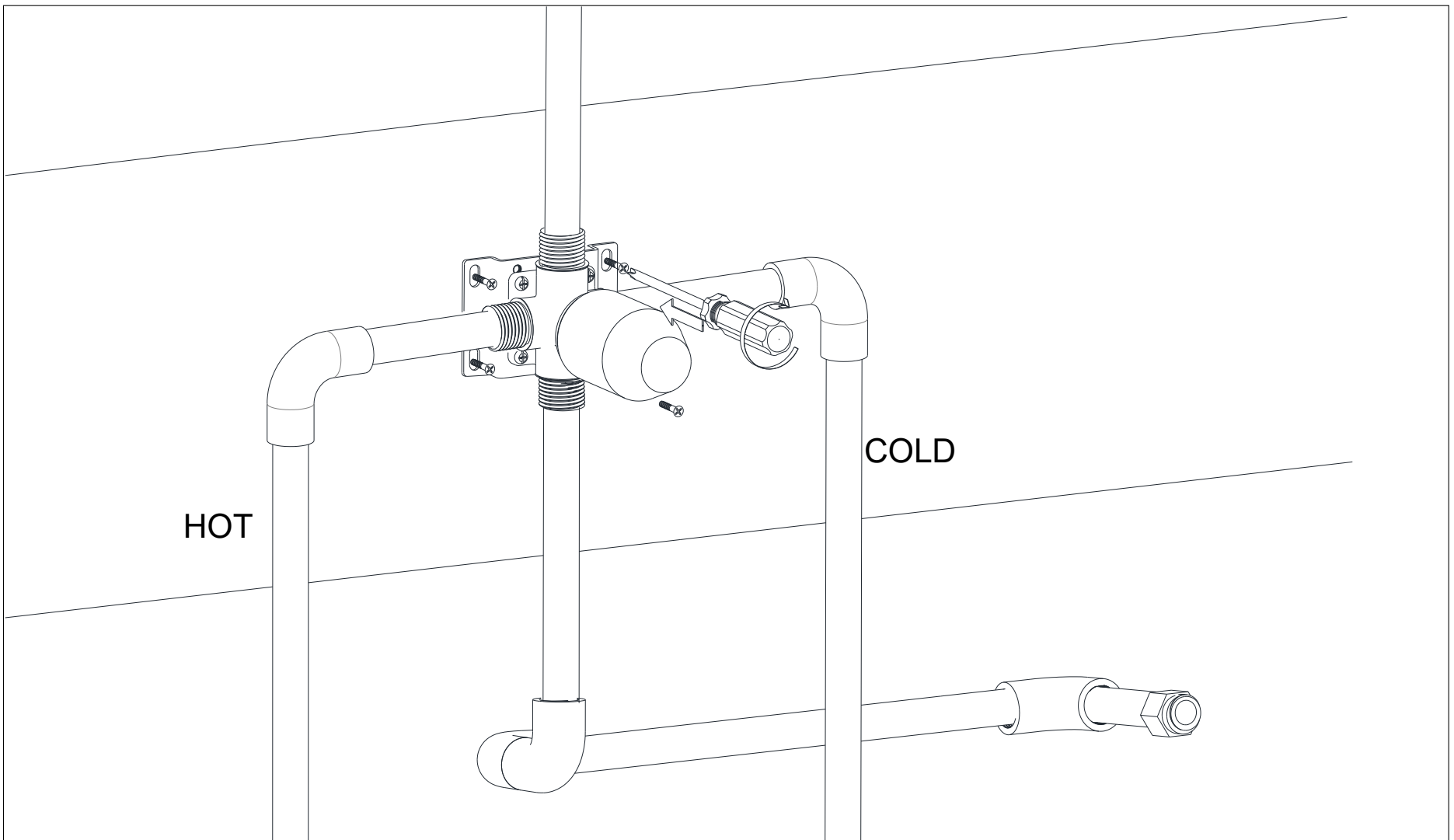
**5.4.2(a)** Solder copper pipes to the valve body's hot and cold water inlets, top shower outlet, and bottom outlet, then secure the plugs.



**5.4.3(a)** Reinstall the rough-in valve components.



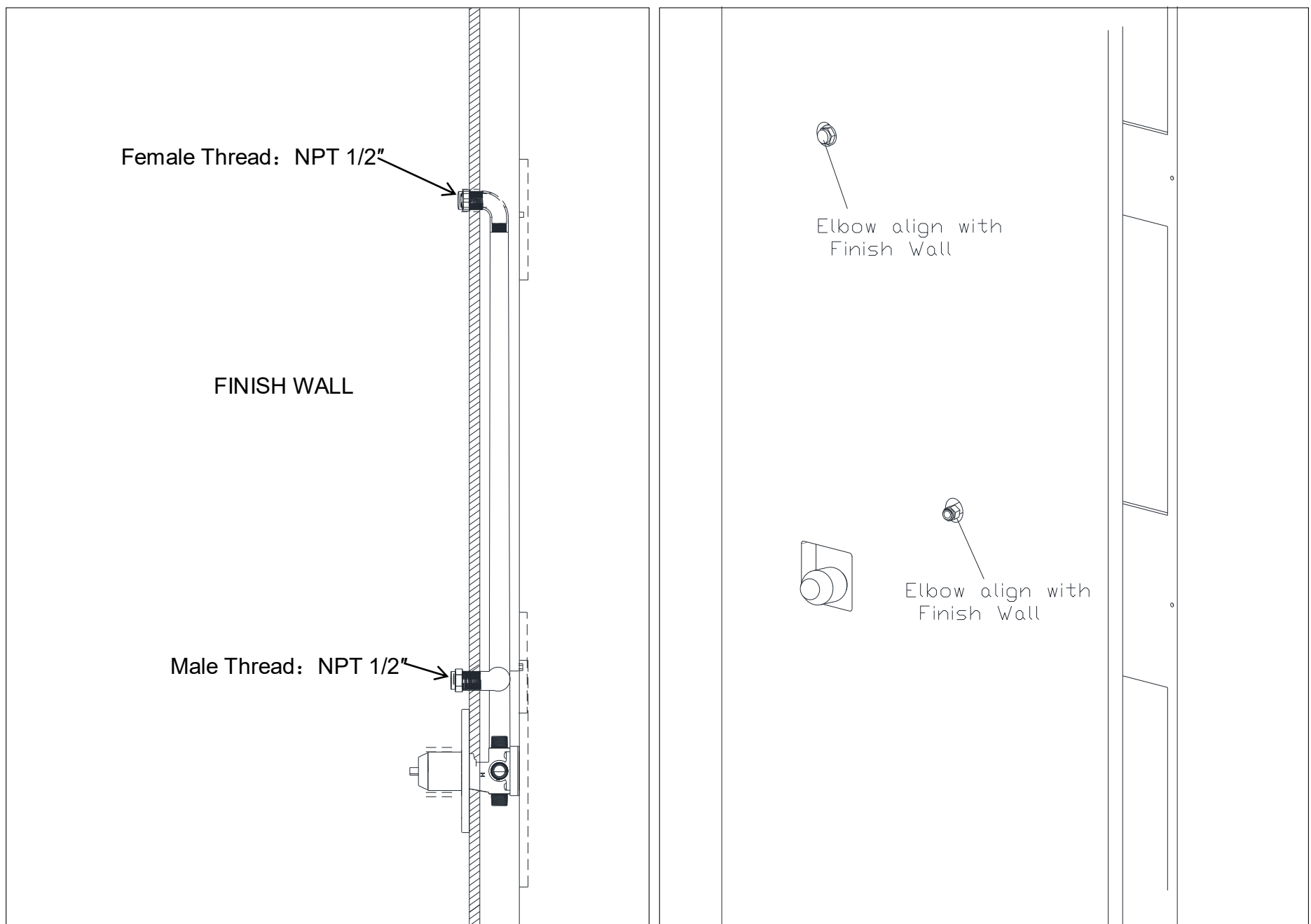
5.4.4 Align and level the valve assembly, then secure it to the mounting bracket using screws and anchors.



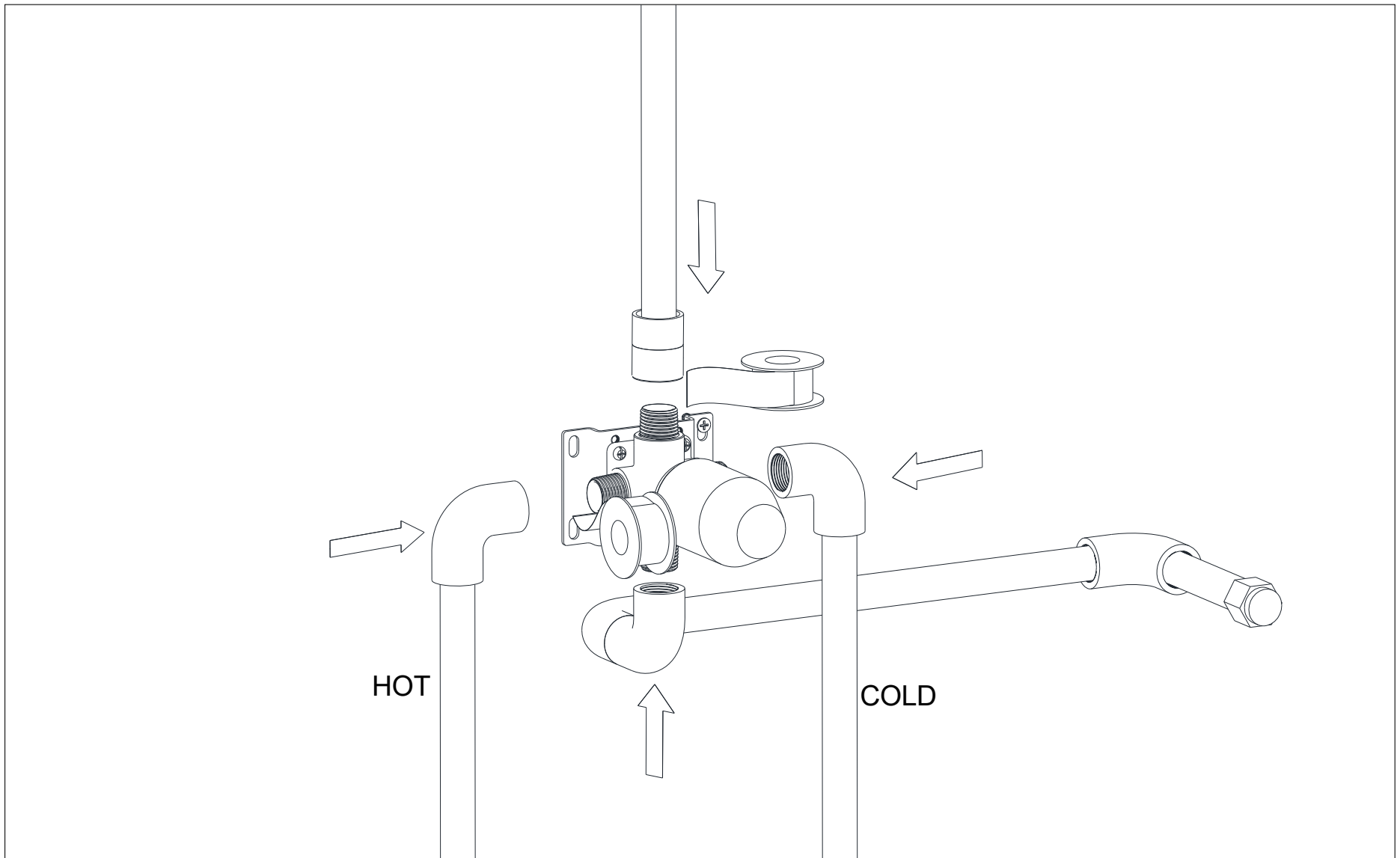
Align the elbow's front face with the finished wall.



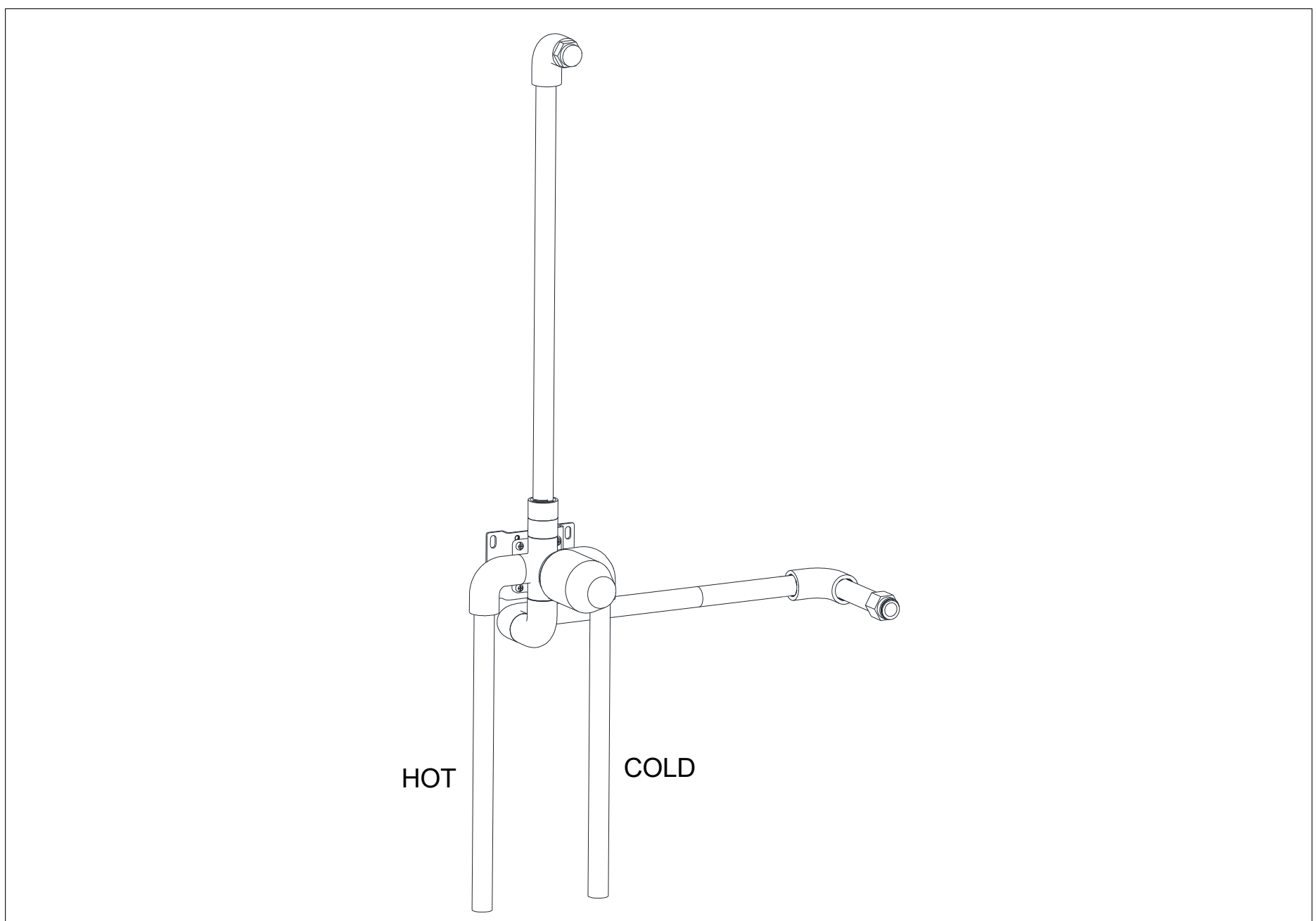
Incorrect installation depth may cause connector leaks or require costly custom extension parts.



**5.4.5** Skip steps 5.4.1(a) to 5.4.3(a) when using PEX or PVC fittings; disassembly is not required.  
Apply Teflon tape to the valve body threads and connect the supply and shower pipes using PEX fittings (hot water on the left, cold water on the right).

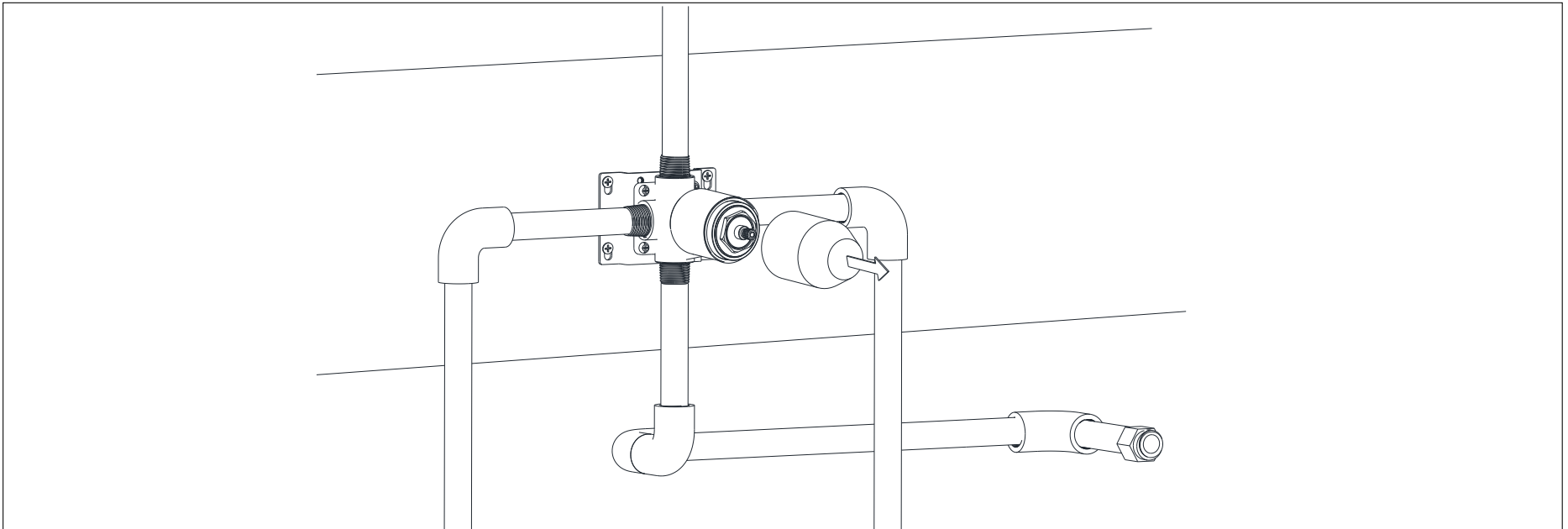


**5.4.6** Rough-in valve installation is complete.



## 6. VALVE TRIM INSTALLATION

### 6.1 Remove the plaster guard cover.



### 6.2 Plumbing Pressure Testing and Leak Testing.

#### (a.) Water Pressure Testing Standards

##### Test Pressure:

- The test pressure shall be 1.5 times the working pressure of the piping system, but not less than 60 PSI (pounds per square inch).
- If the design working pressure of the piping system is less than 60 PSI, the test pressure shall be 60 PSI.
- Recommended test pressure: 100 PSI to 120 PSI (approximately 6.9 to 8.2 bar).

##### Test Duration:

- The test duration is typically 15 minutes.
- During the test, the pressure should remain stable with no significant drop.

##### Testing Method:

1. Seal the piping system, ensuring all openings (e.g., faucets, valves) are closed.
2. Use a manual pump or pressure testing equipment to pressurize the system to the specified test pressure.
3. Observe the pressure gauge to ensure the pressure remains stable during the test.
4. Inspect all connections, joints, and faucets for any signs of leakage.

##### Pass Criteria:

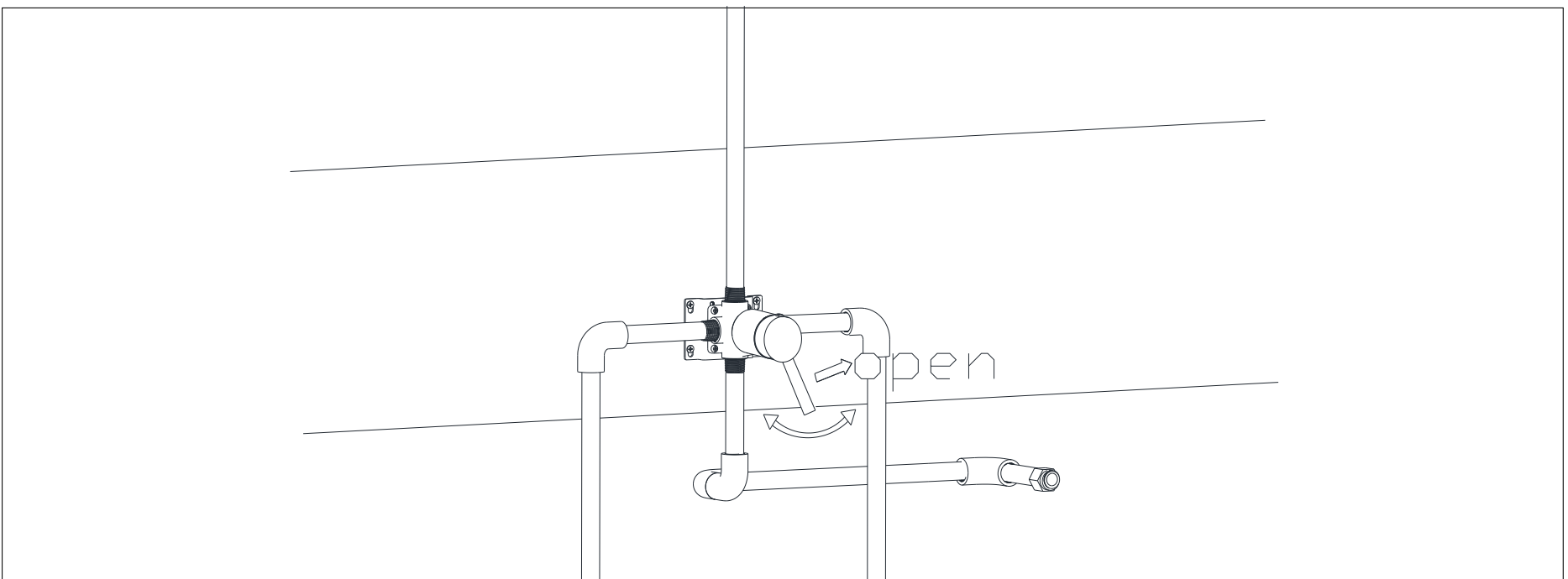
- If the pressure remains stable with no significant drop and no leakage is observed during the test, the piping system passes the test.
- If the pressure drops or leakage is detected, repair the issue and retest.



##### Precautions:

- Safety: The test pressure should not exceed the rated pressure of the pipes and fittings to avoid damage.
- Record: Record the test pressure, duration, and results for future inspection or maintenance purposes.

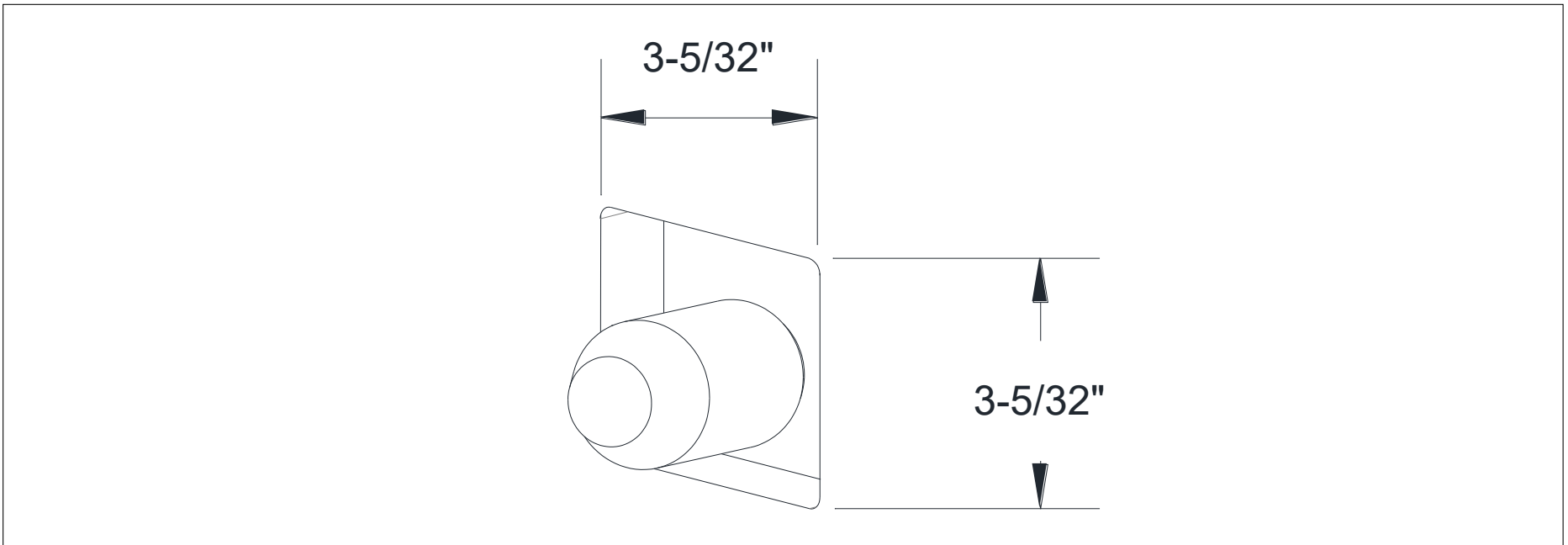
#### (b.) Leak Testing: After completing the plumbing pressure test, turn on the hot and cold water supply again and check all connections for leaks. If no leaks are detected, shut off the hot and cold water supply and reinstall the plaster guard covers.



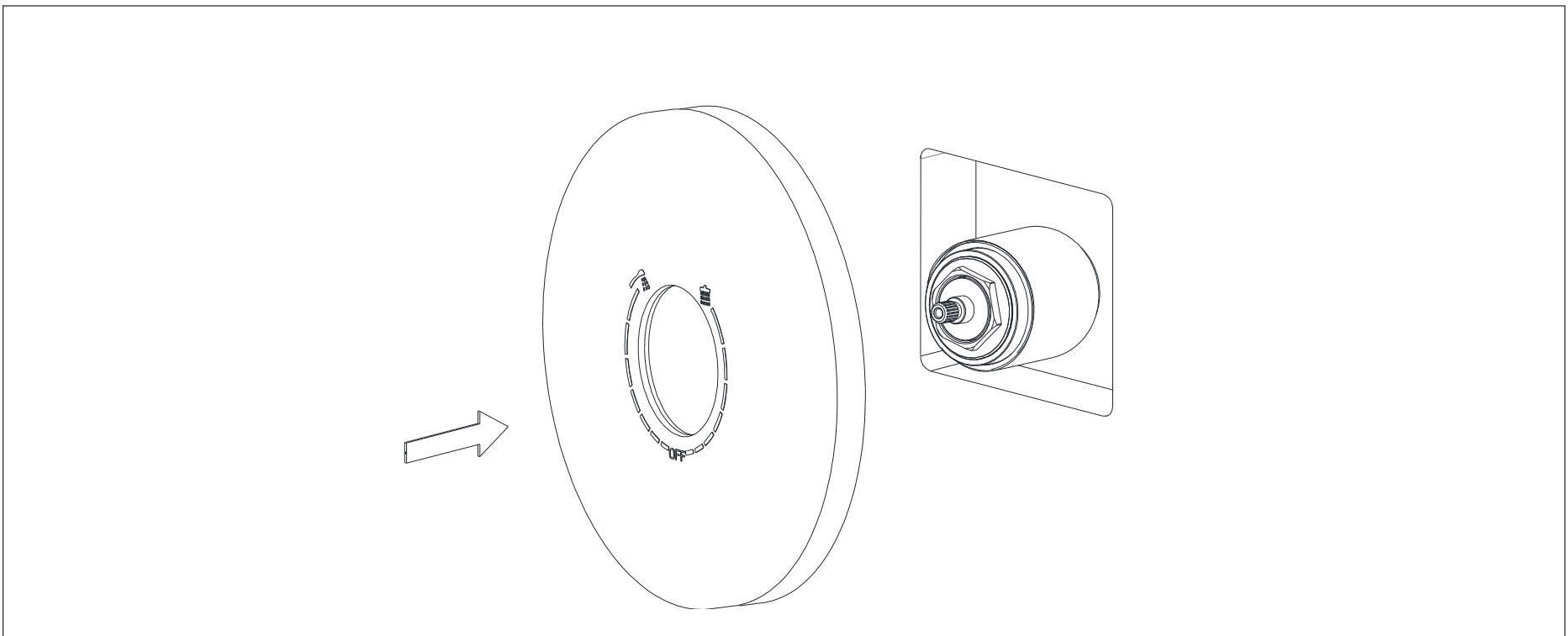
##### Precautions:

- Record: Record the test pressure, duration, and results for future inspection or maintenance purposes.

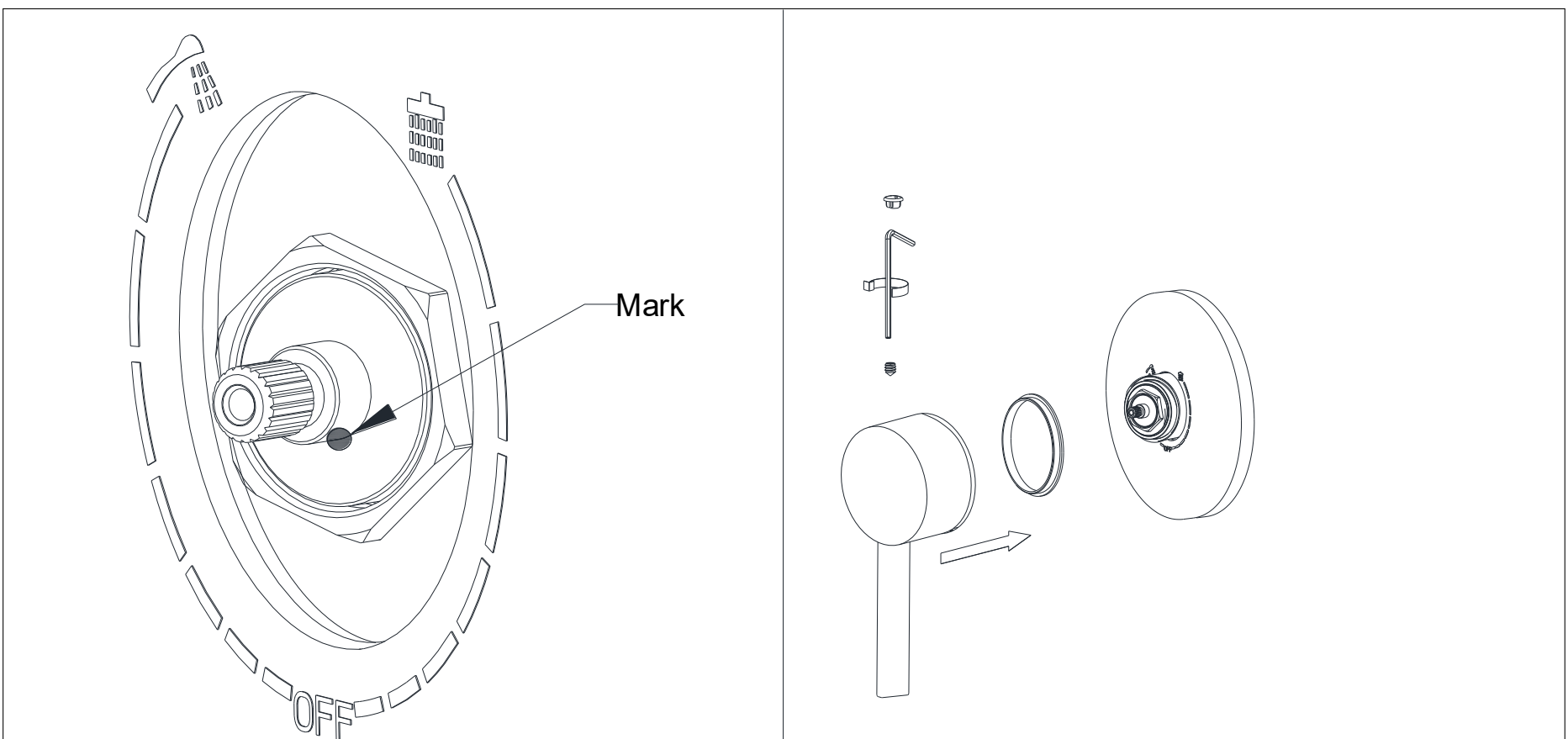
**6.3** Complete the finished wall and create an access panel if future maintenance is needed.



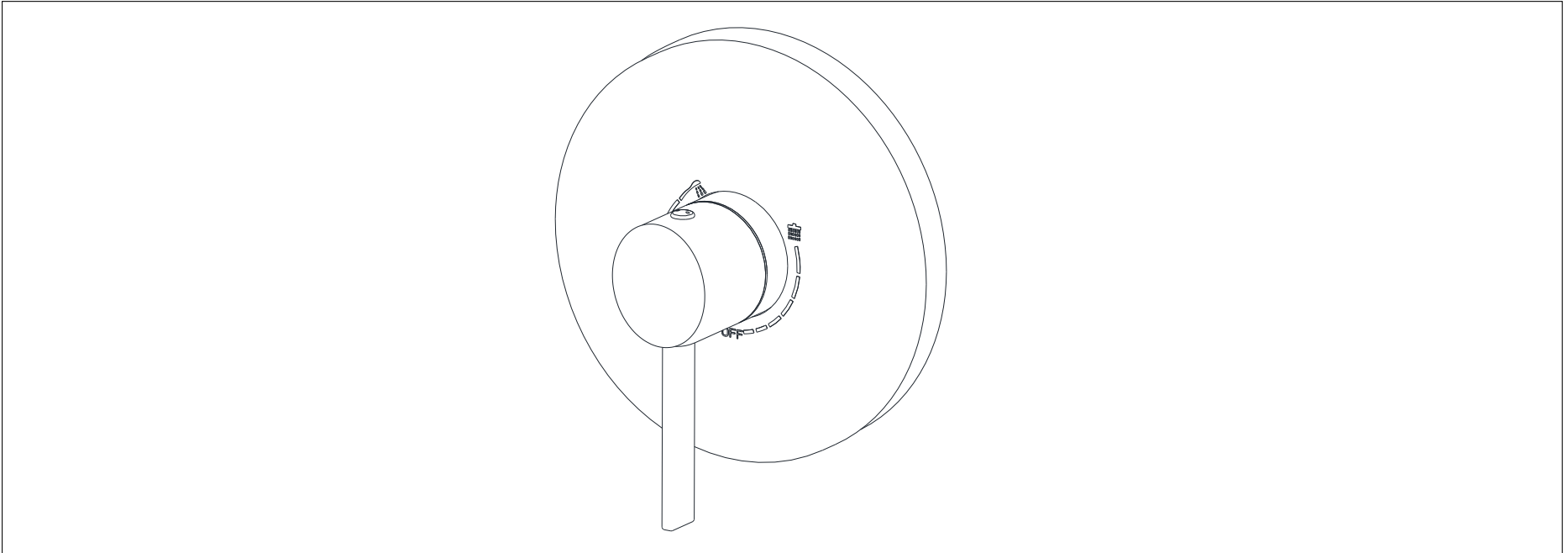
**6.4** Install the escutcheon onto the valve body.



**6.5** Ensure the valve stem is aligned with its markings. Attach the handle, tighten the set screw with the provided Allen wrench (do not overtighten), and press in the screw cover.



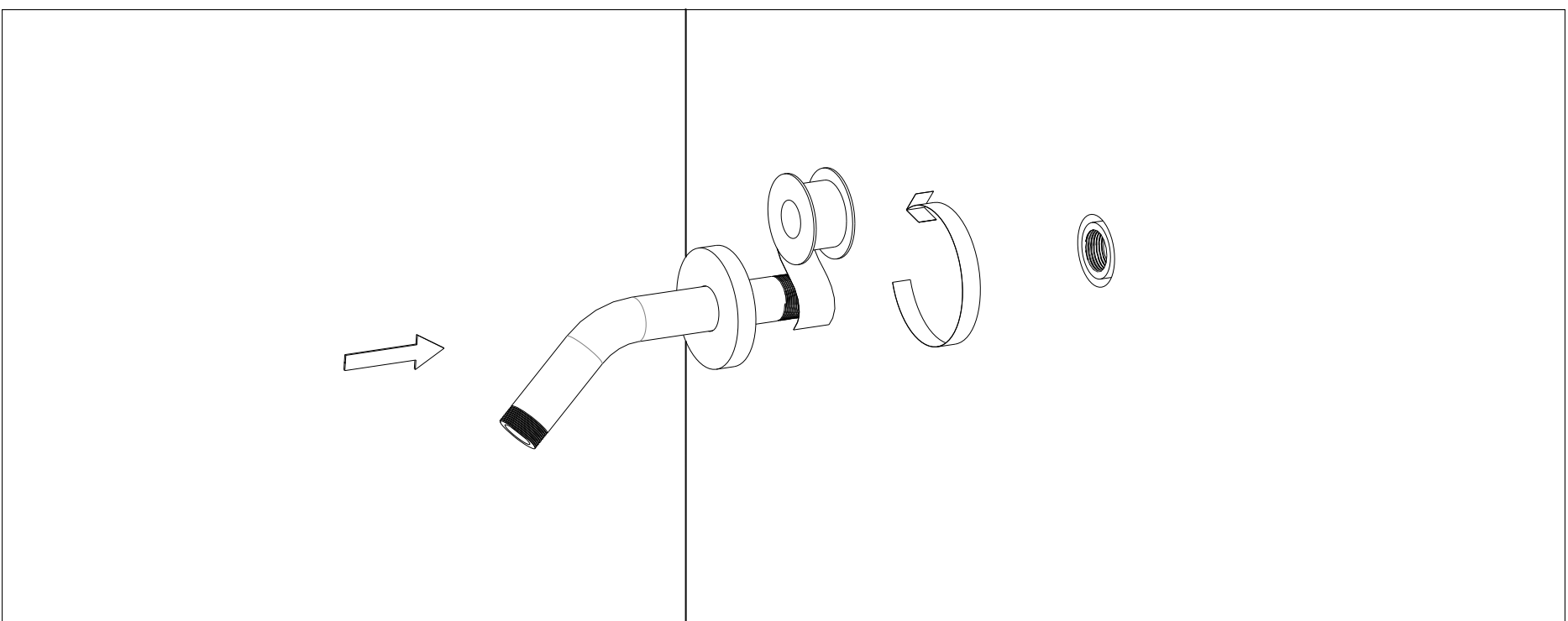
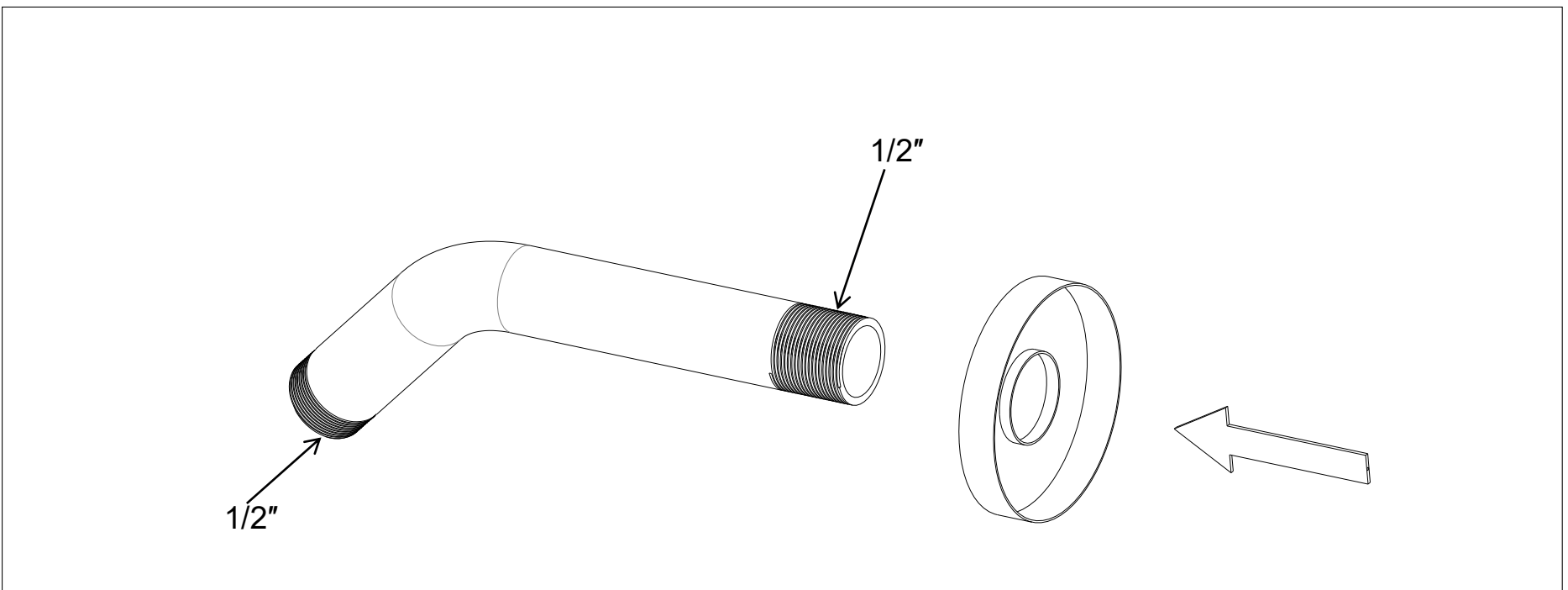
6.6 Valve trim installation is complete.



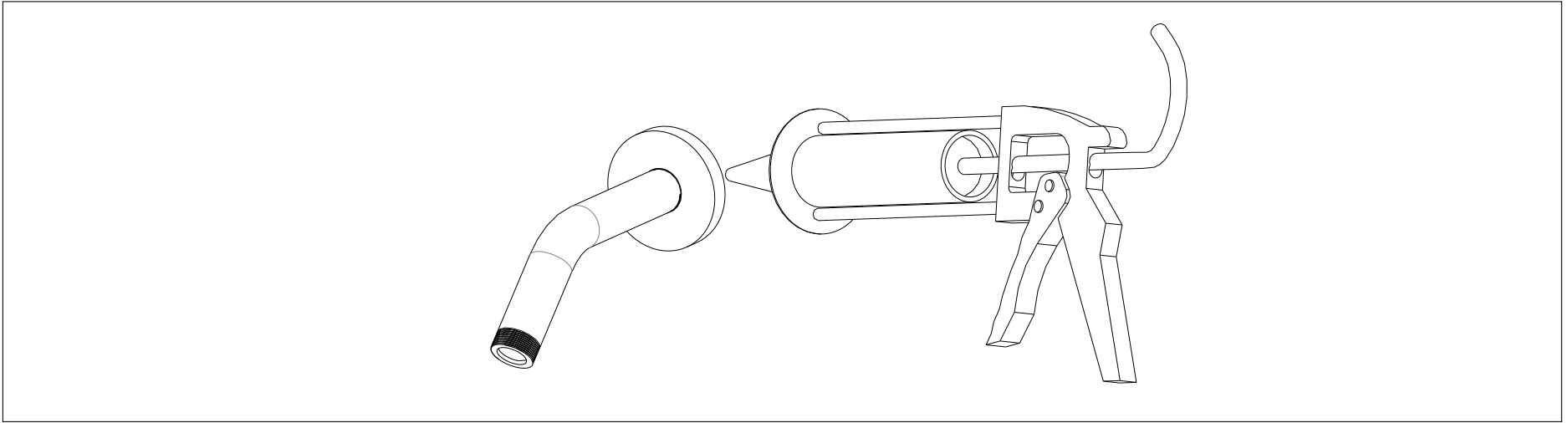
## **7. SHOWERHEAD INSTALLATION**

7.1 Slide the escutcheon onto the shower arm and apply Teflon tape to the shower arm threads. Secure the shower arm to the wall pipe elbow by rotating clockwise.

Standard shower arm inlet thread: NPT 1/2" (US, CA)



7.2 Apply waterproof sealant around the shower arm escutcheon to seal the wall.



7.3 Place the screen washer into the showerhead connector and insert the check valve into the shower arm. Hand-tighten the showerhead onto the shower arm by rotating clockwise.

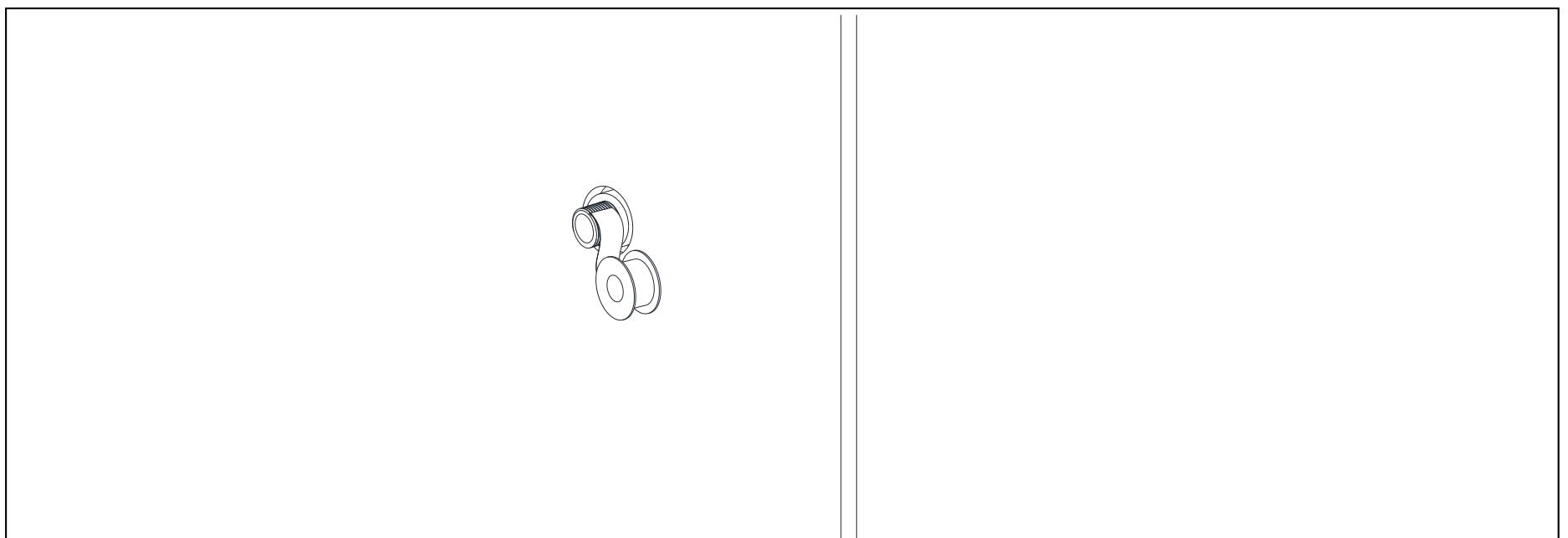


Note: Missing the screen washer or check valve may result in improper shower function.

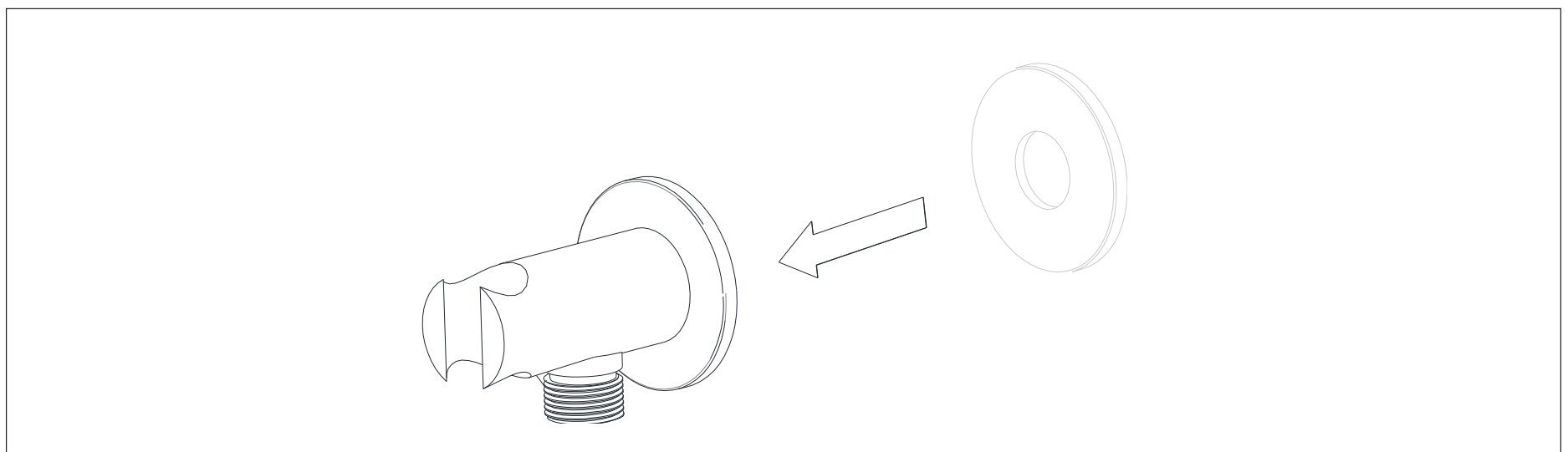


## **8. HAND SHOWER INSTALLATION**

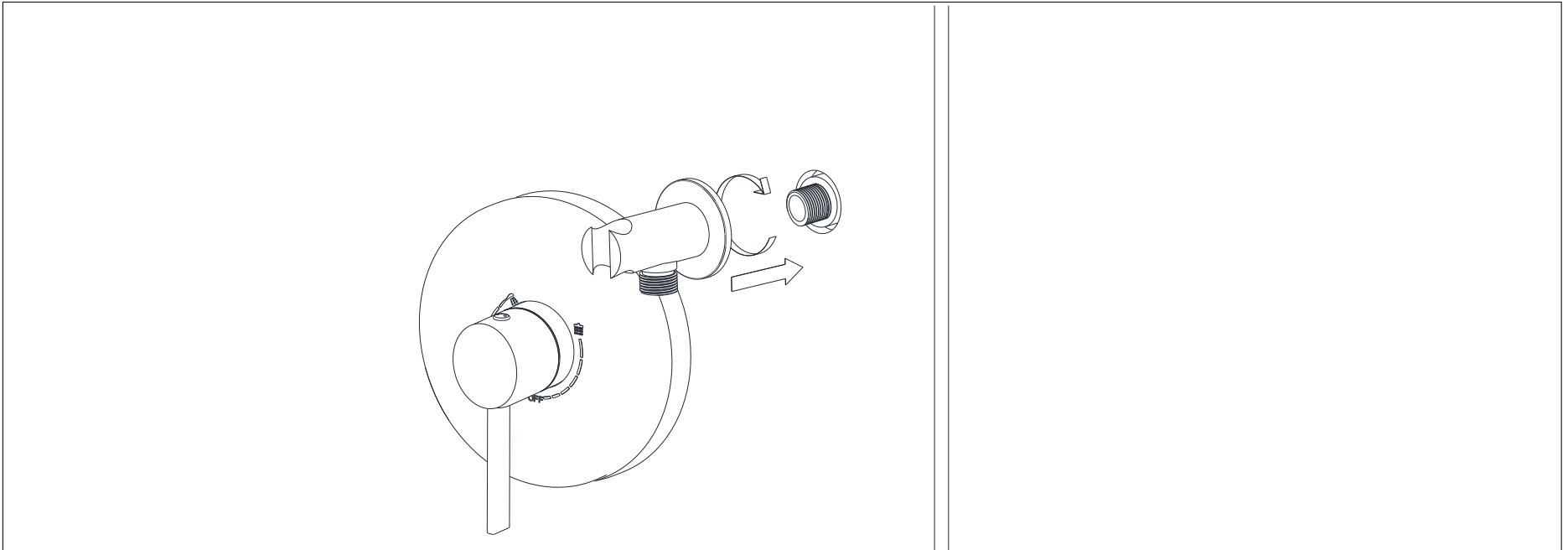
8.1 Apply Teflon tape to the threads of the wall supply elbow.



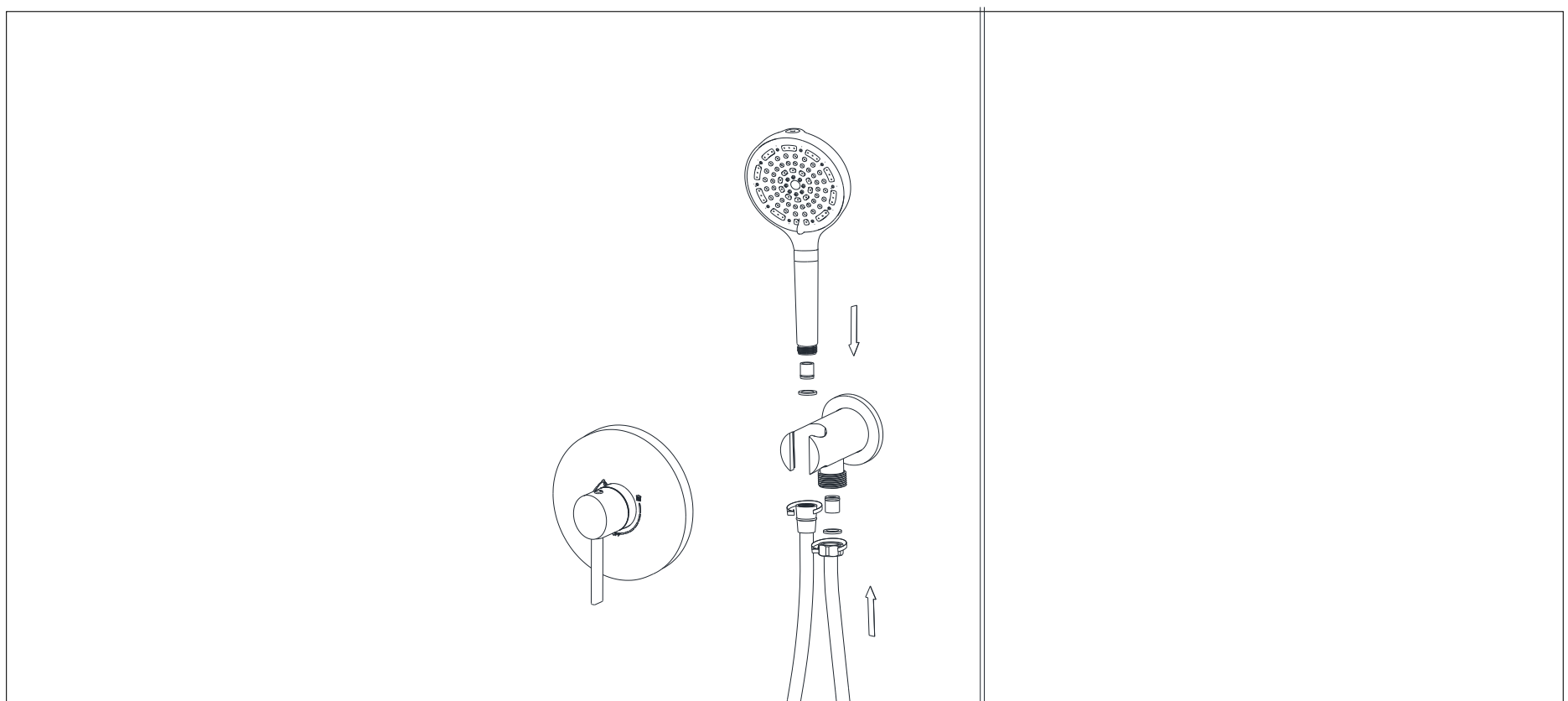
8.2 Secure the flange to the hand shower holder to ensure proper installation and stability.



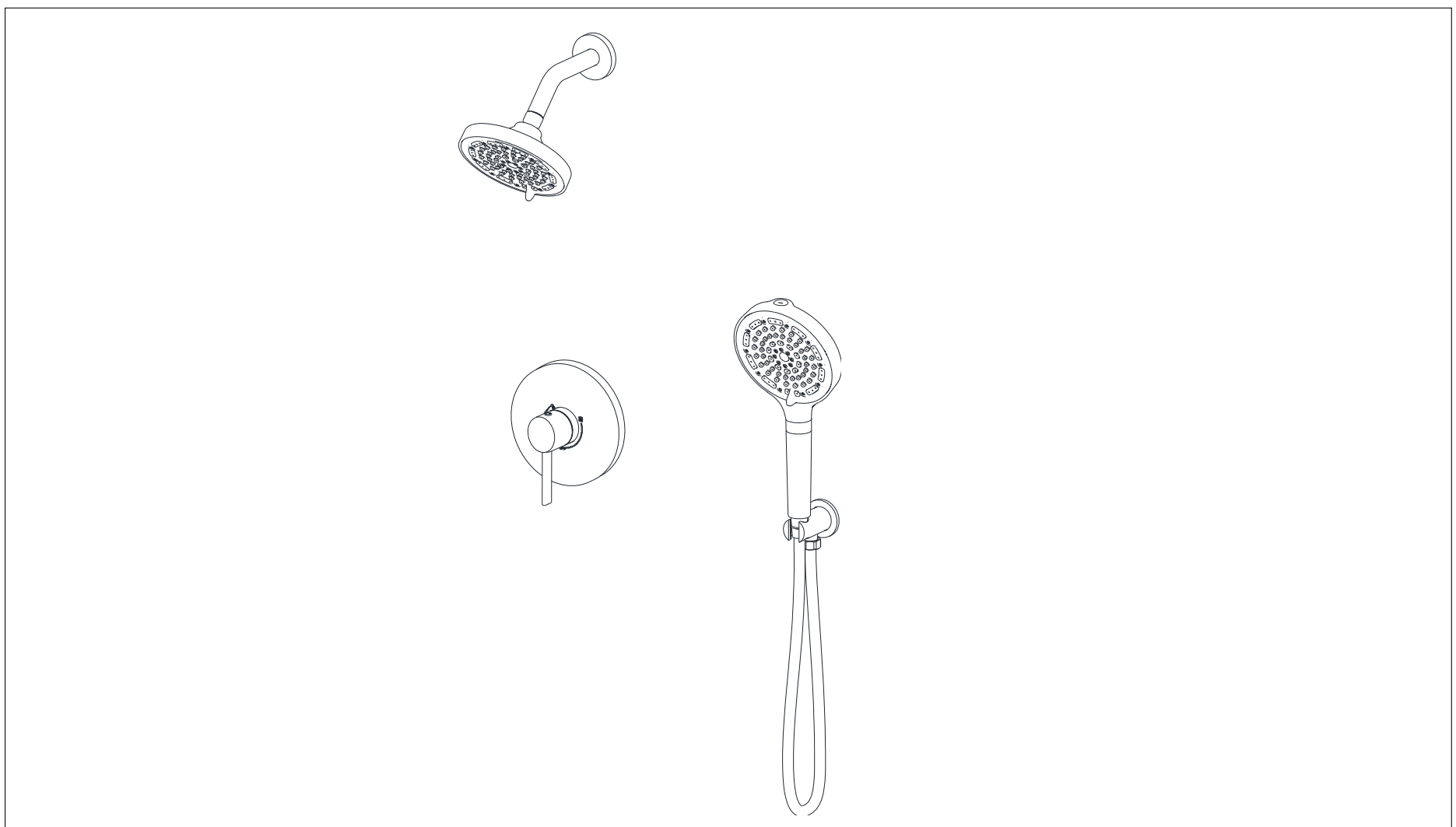
**8.3** Thread the hand shower holder into the elbow inside the wall.



**8.4.** Connect the handheld shower to the wall supply elbow using the flexible hose, ensuring all gaskets are properly seated to prevent leaks.



**8.5 ASSEMBLY COMPLETE.**



## 9. INSPECTION

9.1 Turn on the hot and cold water supply and check all connections for leaks.

### 10. Flexible adjustment for optimum comfort.

(a.) Adjusting the Angle of the Shower Head:

Shower heads can be adjusted vertically and horizontally up to 80 degrees, allowing users to customize the water flow direction for an optimal showering experience.

#### Adjustment Method:

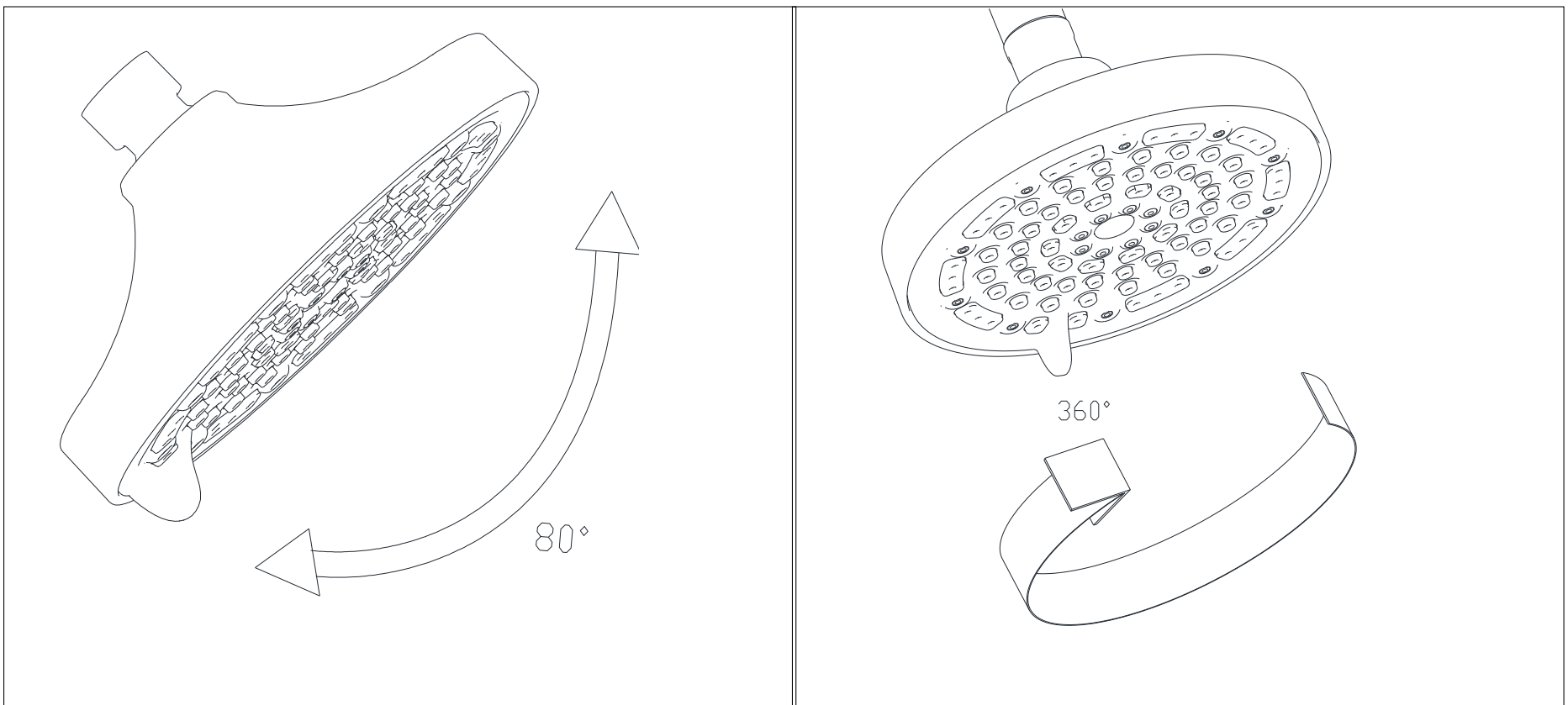
- (1) To adjust the vertical angle, push or pull the shower head up or down.
- (2) To adjust the horizontal angle, rotate the shower head left or right.

(b.) 360-Degree Rotation of the Ball Joint:

The ball joint located at the base of each shower head allows for 360-degree rotation, offering enhanced flexibility to adjust the water flow direction.

#### Swivel Method:

- (1) Firmly hold the shower head and rotate it clockwise or counterclockwise to adjust the direction as desired.



### 10.1 Adjusting the Spray Modes of the Shower Head

(a.) Selection of Various Water Patterns:

The shower head features five unique spray modes to enhance your showering experience. These modes are:

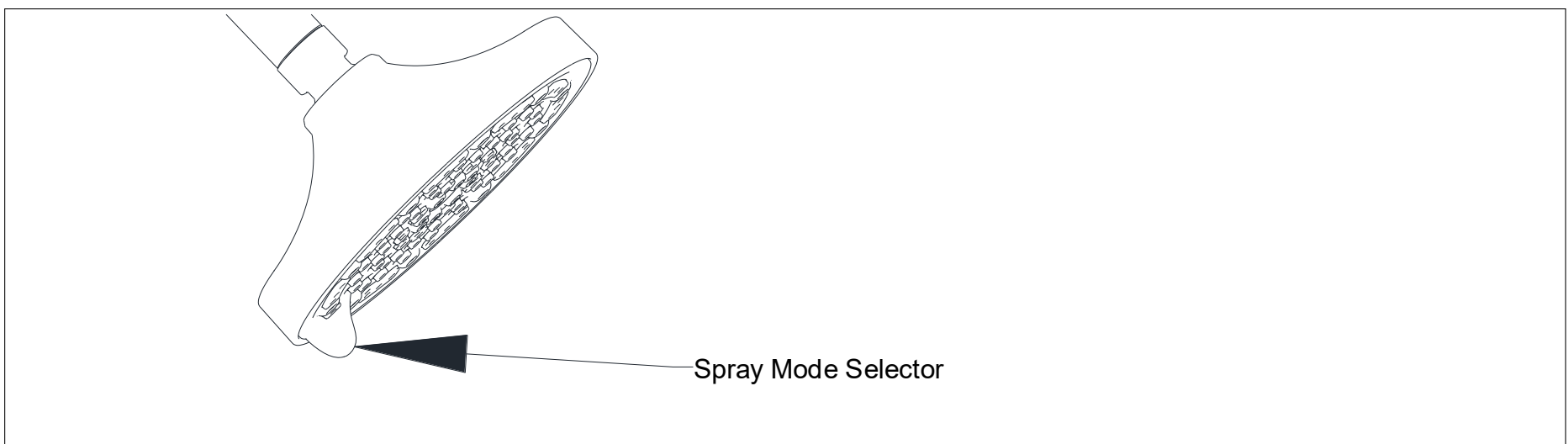
- Rain
- Waterfall and Rain
- Waterfall
- Waterfall and Massage
- Massage

● (b.) How to Adjust Spray Patterns:

Locate the spray mode selector on the shower head to choose your desired spray pattern.

Change Modes:

- (1) Rotate the spray mode selector left or right to switch between the available spray modes.
- (2) You will feel a slight click when the spray mode selector is set to a new position.



## 10.2 Adjusting the Spray Pattern of the Hand Shower.

(a.) Select from Various Water Spray Patterns:

The handheld shower features six unique spray modes designed to enhance your showering experience. These modes include:

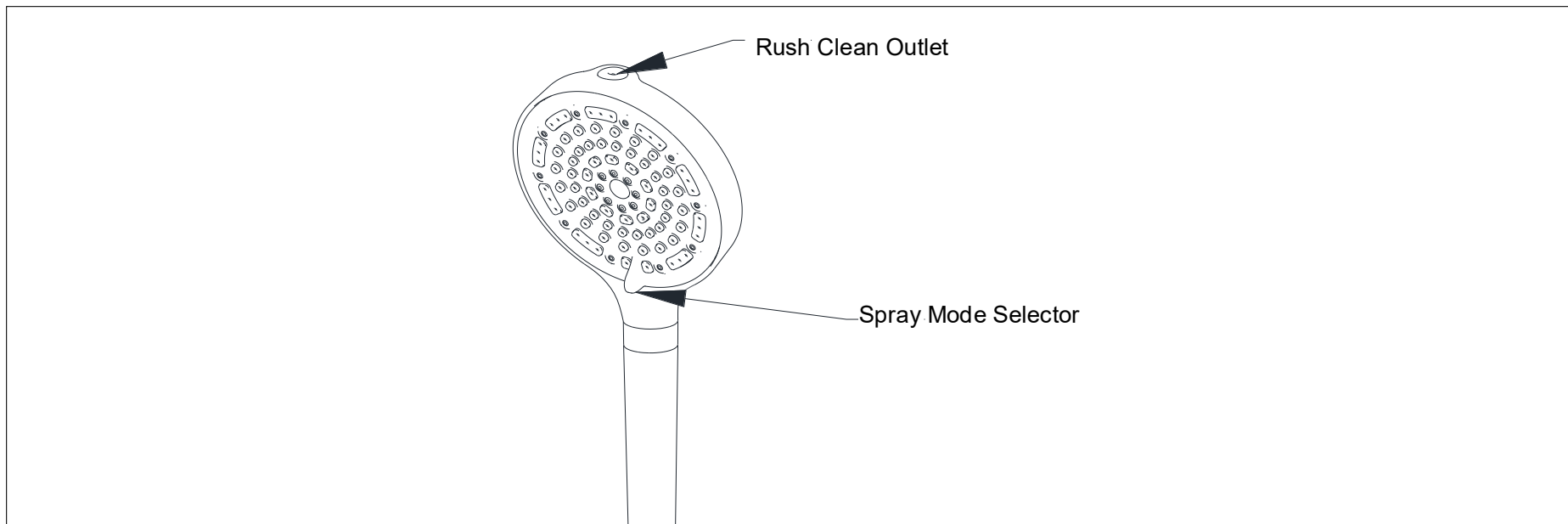
- Rain
- Waterfalls and rain showers
- Waterfalls
- Waterfalls and Massage
- Massage
- Top Water Outlet: Rush Clean Spray

(b.) How to Switch to Rush Clean Outlet:

Locate the spray mode selector on the handheld shower and adjust it to activate the Rush Clean Outlet mode.

To change mode:

- (1) Rotate the spray mode selector left or right to switch between the available spray modes.
- (2) You will feel a slight click when the spray mode selector is set to a new position.



## 11. Handheld Shower Usage Guidelines

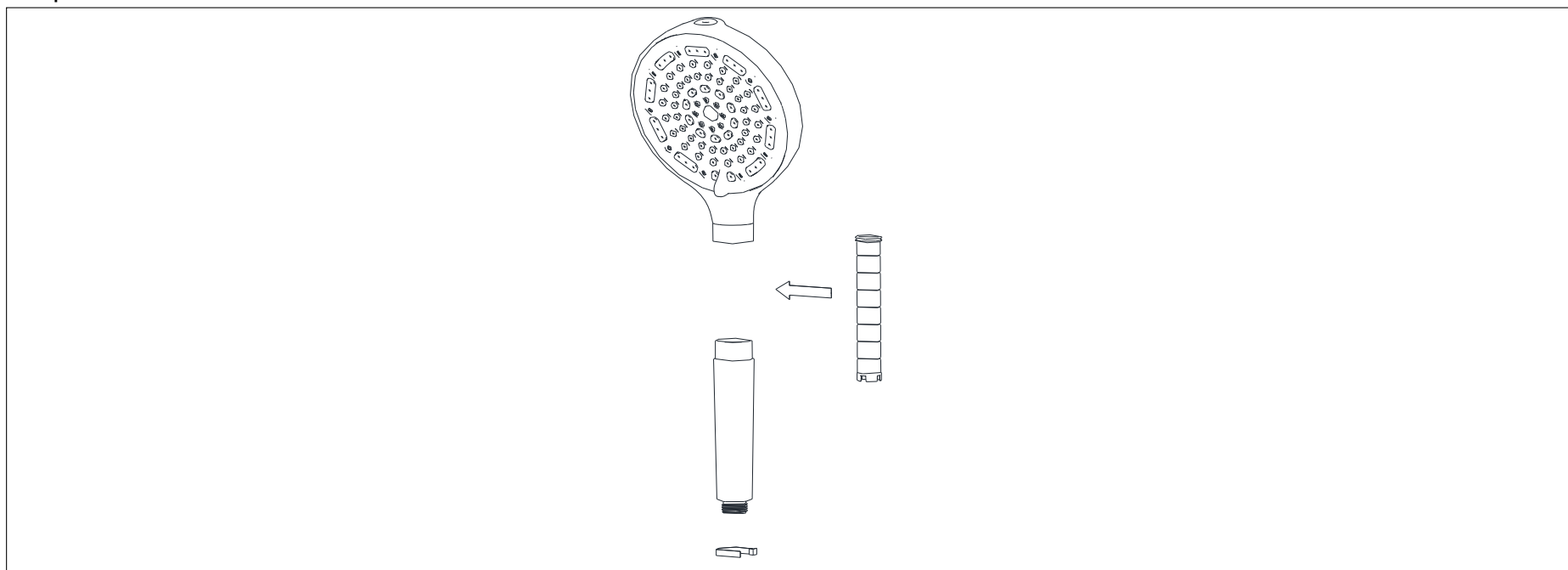
(1) Anti-Scale Filter Element:

This showerhead includes an anti-scale filter element as a standard feature. Installation of the filter is optional and can be decided based on the user's specific needs. To maintain optimal performance, clean the showerhead regularly to prevent clogging.

(2) Filter Effectiveness and Replacement:

The anti-scale filter element is effective for up to three months or can treat approximately 3 tons of hard water, whichever comes first. Replace the filter element promptly once either condition is met to ensure continued functionality.

Replace the Filter as follows:



## 12. FUNCTION INSPECTION

12.1 Rotate the handle clockwise to activate the water supply to the handheld shower.

12.2 Rotate the handle counterclockwise to direct water flow to the showerhead.

12.3 Align the handle in the mid-position (vertical alignment) to shut off all water supply.

## INSTALLATION FINISHED

## CLEARNING RECOMMENDATION FOR SUMERAIN PRODUCTS

Modern lavatory faucets, kitchen faucets, and showers are crafted from a variety of materials to meet the market's demands for both design and functionality. To prevent damage and reduce the likelihood of returns, it is essential to follow the recommended cleaning guidelines.

### Cleaning Materials for faucets & showers

When cleaning faucets and showers, it is essential to follow these professional guidelines:

- Use acidic cleaning agents specifically formulated for lime removal.
- Only use cleaning products designed for this purpose to avoid damage.
- Do not use cleaning agents containing hydrochloric, formic, phosphoric, or acetic acid, as these can cause severe damage to the surface.
- Never mix different cleaning agents, as this may lead to harmful chemical reactions.
- Avoid abrasive cleaning products or tools, such as unsuitable cleaning powders, rough sponge pads, or microfiber cloths that could harm the finish.

### Cleaning instructions for faucets & showers

Please follow the cleaning material manufacturer's instructions carefully. Additionally, observe the following guidelines to maintain your faucets and showers:

- Clean faucets and showers regularly as needed to preserve their optimal function and appearance.
- Use the recommended amount of cleaning product and apply it for the specified duration. Avoid leaving the cleaner on the surface longer than necessary to prevent potential damage.
- Regular cleaning helps prevent calcification. For scale deposits on faucet surfaces or spouts, use a commercial descaler such as Lime-Away® or CLR®.
- If rust forms due to hard water, gently remove it by rubbing the affected area with aluminum foil soaked in water until smooth. Then, apply a small amount of chrome polish or an appropriate product like automotive wax (e.g., Meguiar's® or Turtle Wax®) to restore the finish.
- Solid stainless steel faucets and spouts, especially waterfall designs, usually lack a protective coating. While stainless steel resists tarnishing, it can oxidize over time. Keep stainless steel fixtures clean and dry, and use a stainless steel-specific cleaner such as Weiman® or CLR® for proper maintenance.
- When using spray cleaners, apply the product to a soft cloth or sponge first instead of spraying it directly onto the faucet. This prevents water droplets from entering the faucet openings and causing damage.
- After cleaning, rinse all surfaces thoroughly with clean water to remove any cleaner residue.

### Important

Residues from liquid soap, shampoo, and shower gel can contribute to surface damage over time. To prevent this, thoroughly rinse these substances off with clean water after each use



**Note: If the surface is already damaged, using cleaning materials may worsen the damage.**

**Components with damaged surfaces must be replaced to prevent potential injury.**

**Please note that any damage caused by improper use, maintenance, or cleaning is not covered under the warranty.**

# SUMERAIN®

### SUMERAIN INTERNATIONAL GROUP INC

**Address:** 1226 NORTH KING ST NUM 522  
WILMINGTON, DE 19801  
United States

**Tel:** +1(866)203-0866

**Web:** <http://www.sumerain.com>

**E-mail:** [supports@sumerain.us](mailto:supports@sumerain.us)

### HONGKONG SUMERAIN SANITARY INDUSTRY CO., LIMITED

**Address:** FLAT/RM 3B 3/F BANK TOWER  
NOS.351&353 KING'S ROAD  
NORTH POINT  
HK

**Tel:** +86-750-2731579

**E-mail:** [supports@sumerain.com](mailto:supports@sumerain.com)

### SUMERAIN EUROPE SUPPORT

**Address:** Flottwellstr.15  
10785 Berlin,  
Deutschland

**Tel:** +49 (0)30/23975898

**E-mail:** [de@sumerain.com](mailto:de@sumerain.com)