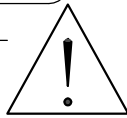
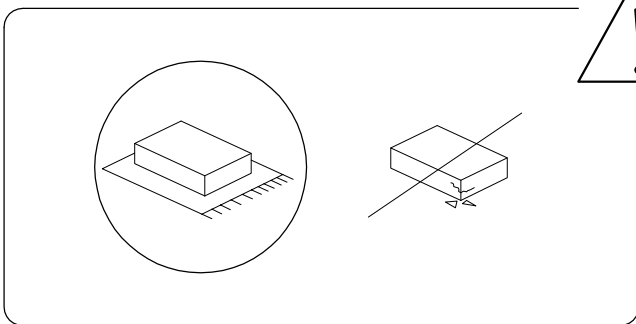
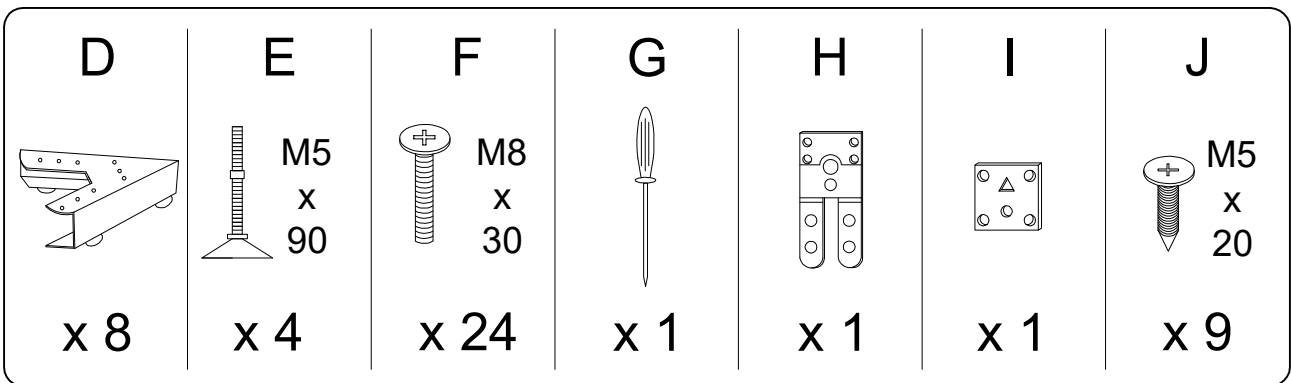
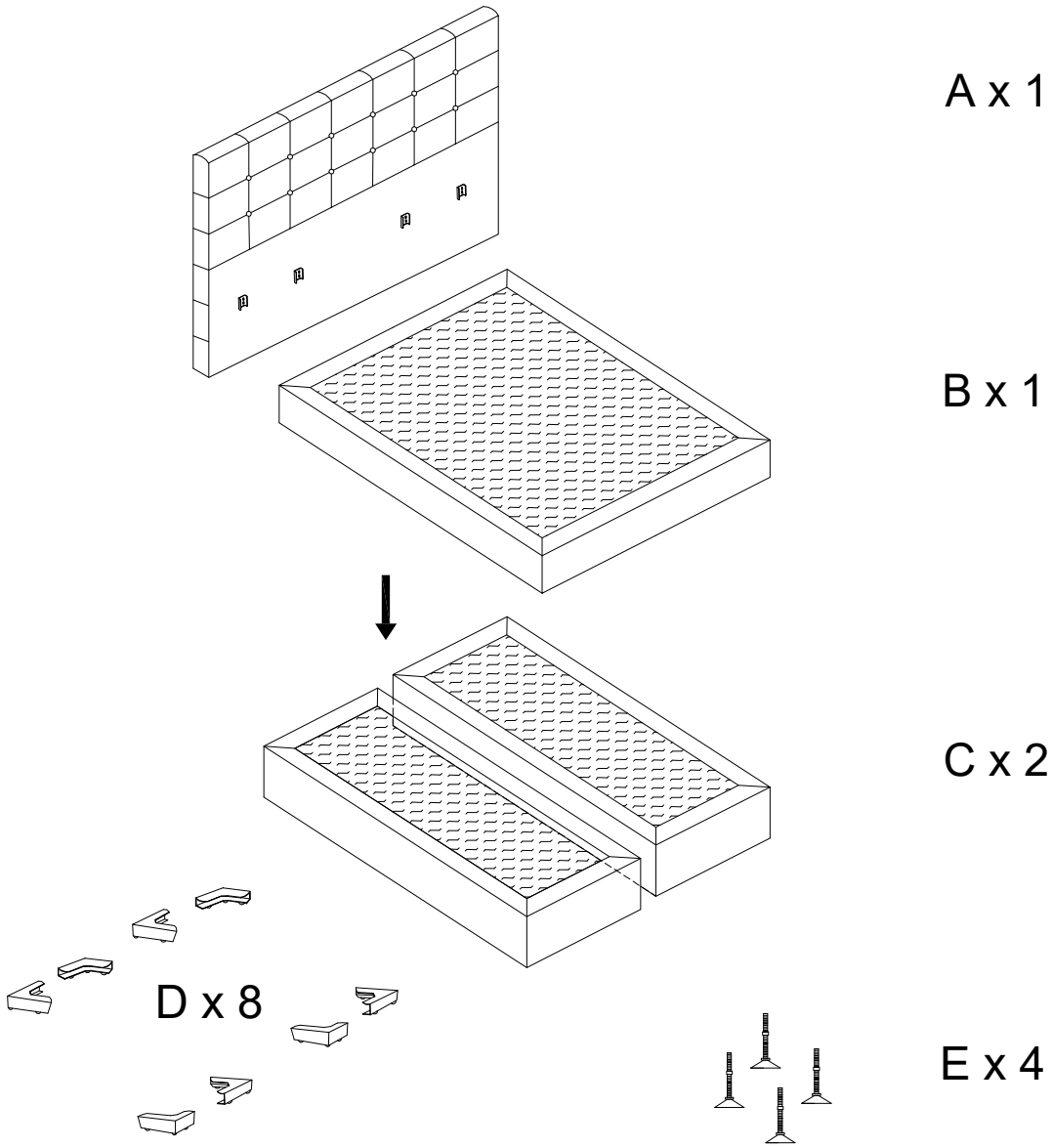
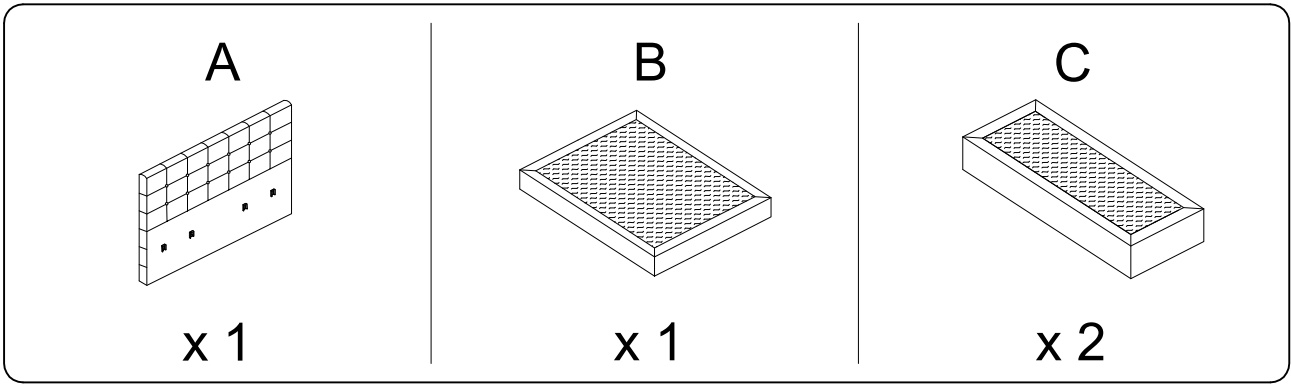


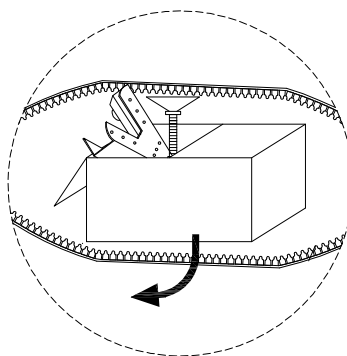
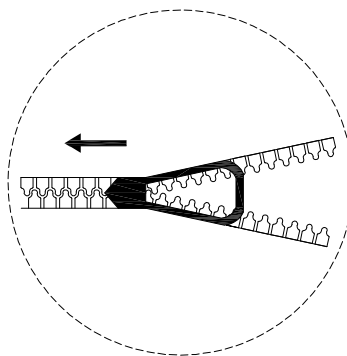
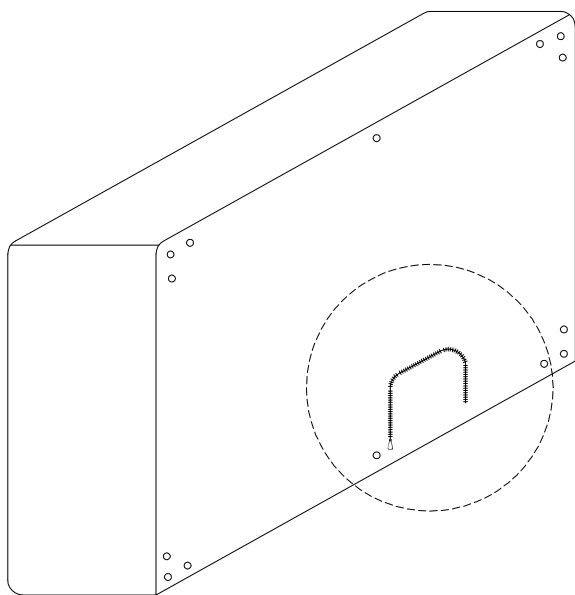
45'



2

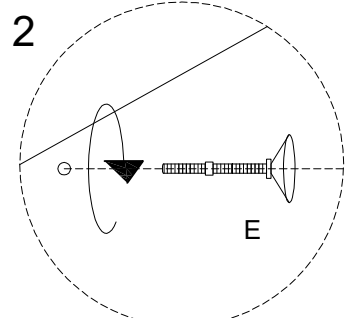
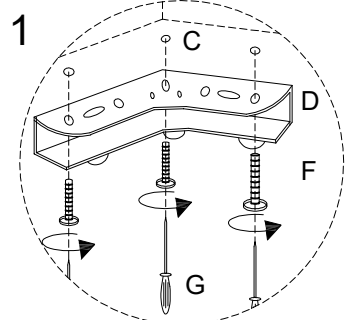
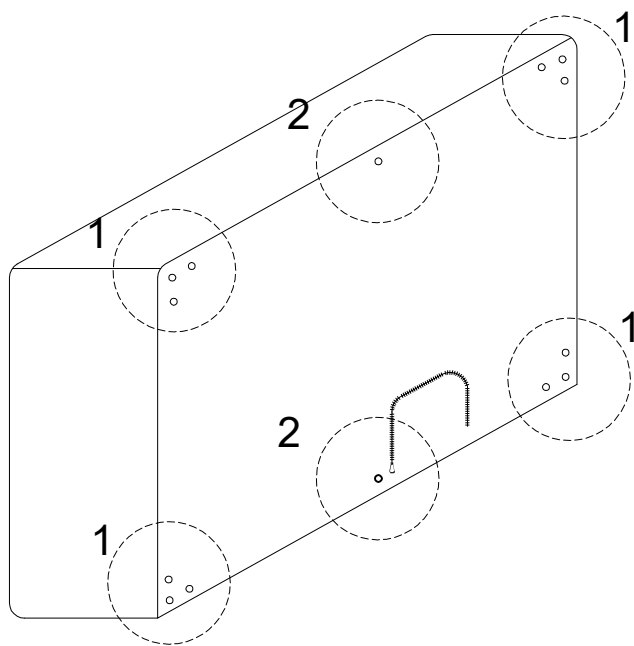


!

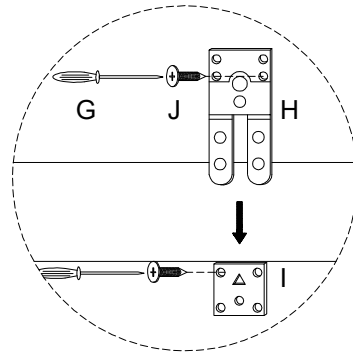
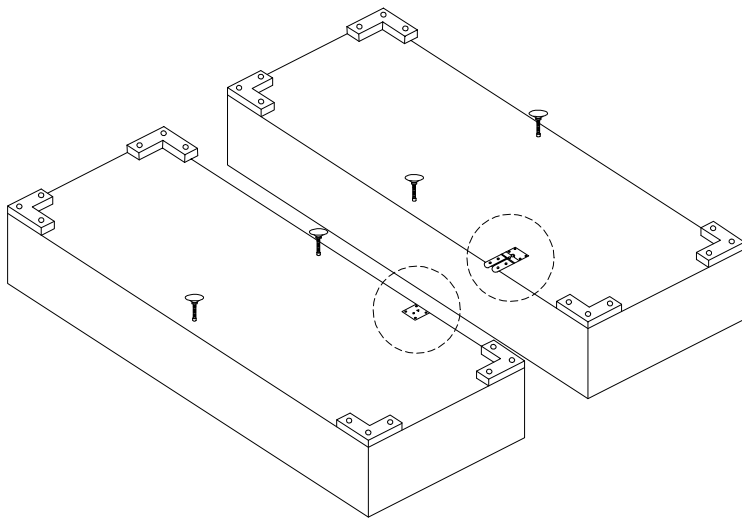
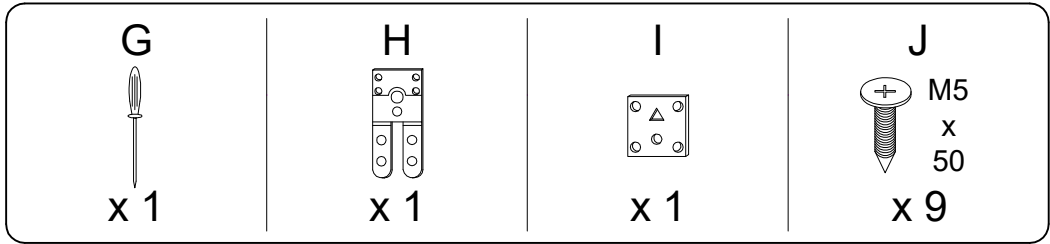


1

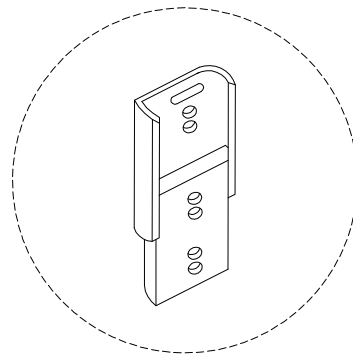
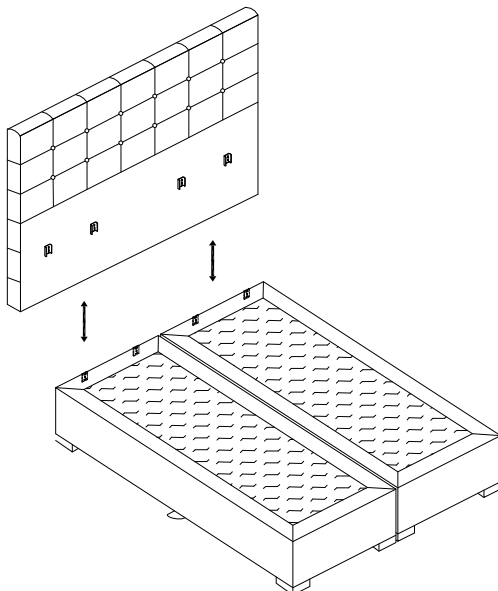
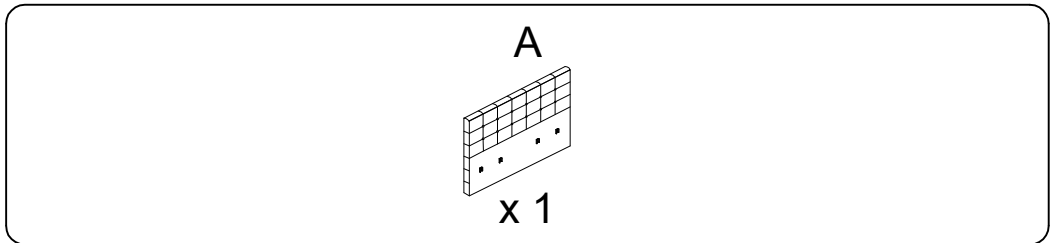
C x 2	D x 8	E M5 x 90 x 4	F M8 x 30 x 24	G x 1
---------------------	---------------------	--------------------------------------	---------------------------------------	---------------------



2



3



4

