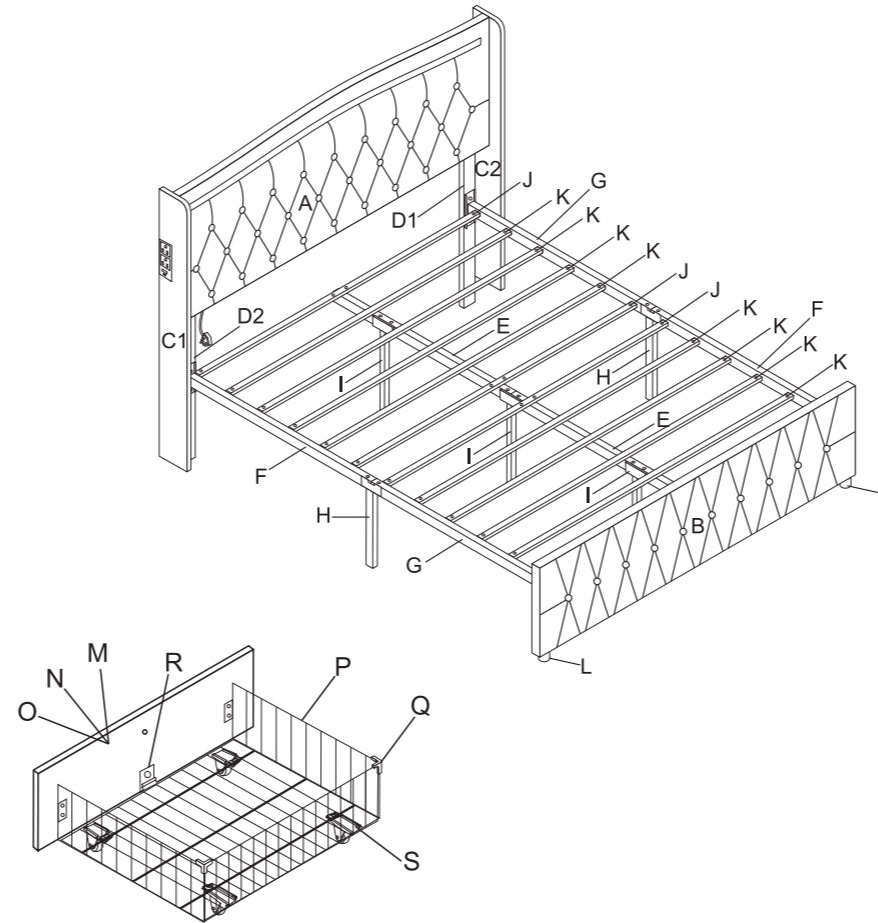
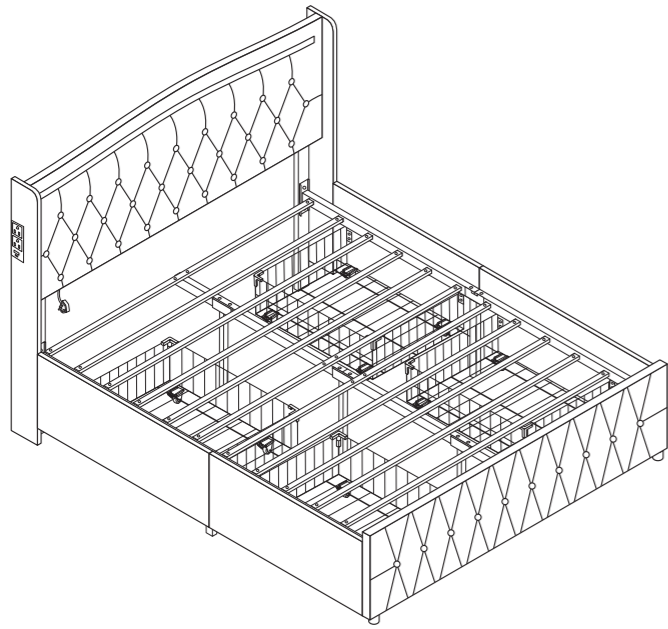


Assembly Instructions



Dear Customers,

Thank you for purchasing our product. Please read this instruction manual carefully after receiving this product. It will help you assemble this product quickly, safely and correctly. You can keep this manual for future reference.

A	1PC	B	1PC	C1	1PC
C2	1PC	D1	1PC	D2	1PC
E	2PCS	F	2PCS	G	2PCS
H	2PCS	I	3PCS	J	4PCS
K	8PCS	L	2PCS	M	1PC
N	1PC	O	2PCS	P	4PCS
Q	8PCS	R	4PCS	S	16PCS

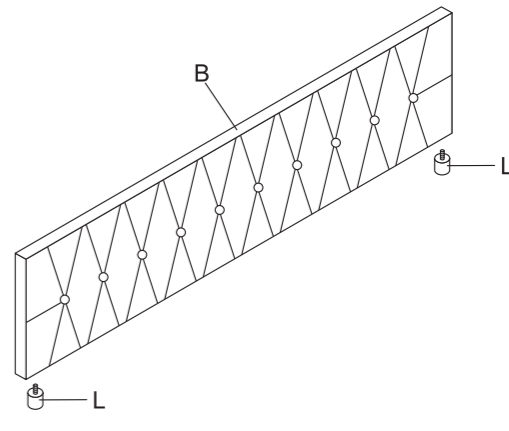
1

Notice: Do not tighten the screws too tightly at the beginning of the assembly. After each hole position is matched well, with gently force to screw, if there is no problem, then tighten all the screws.

T	6PCS	U	4PCS	V	8PCS
W	6PCS	X	32PCS	Y	4PCS
Z	24PCS	A1	1PC	B1	1PC

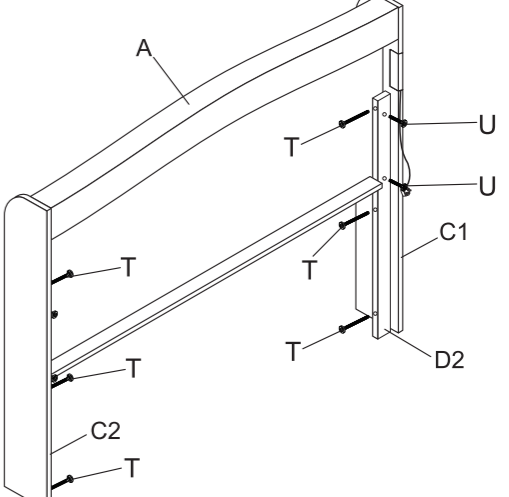
2

1



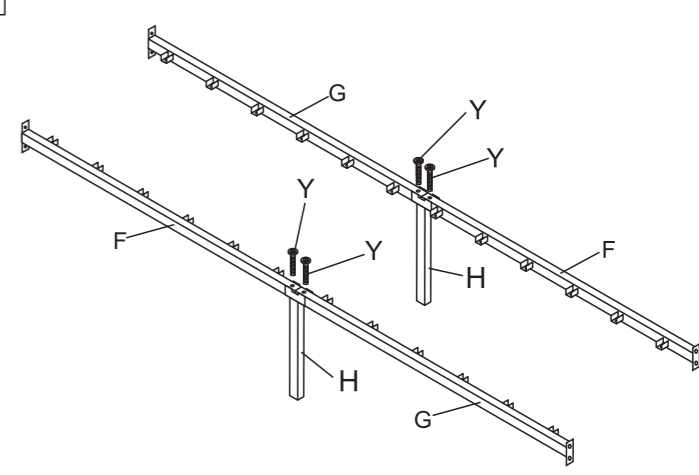
2

T	M8x70mm	6PCS
U	M8x40mm	4PCS

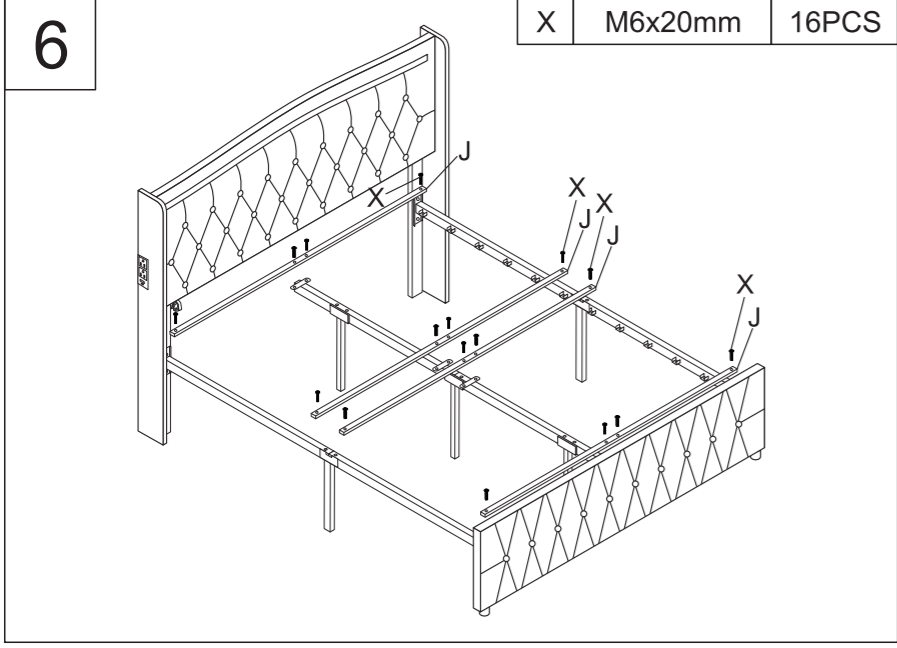
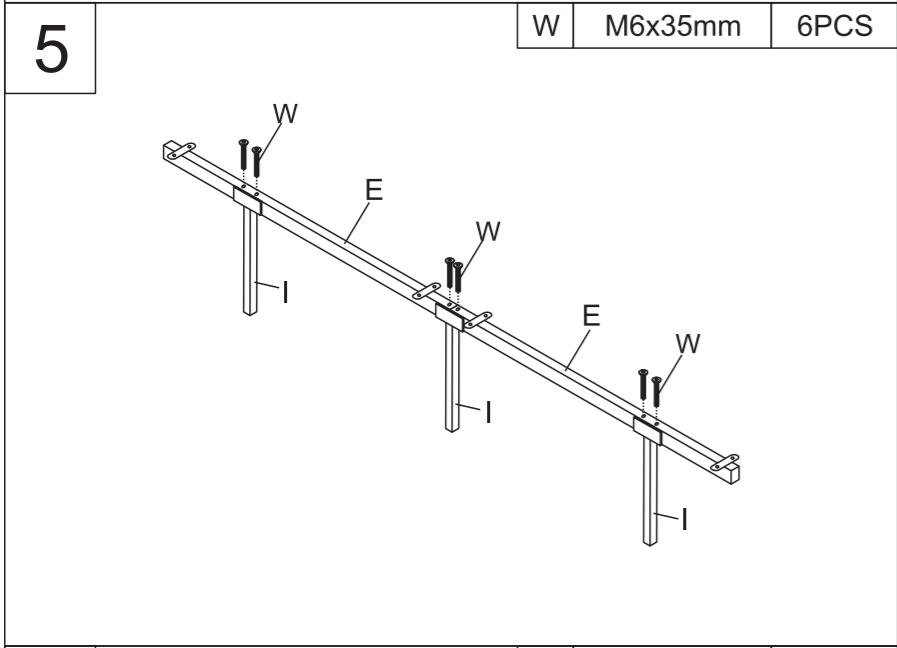
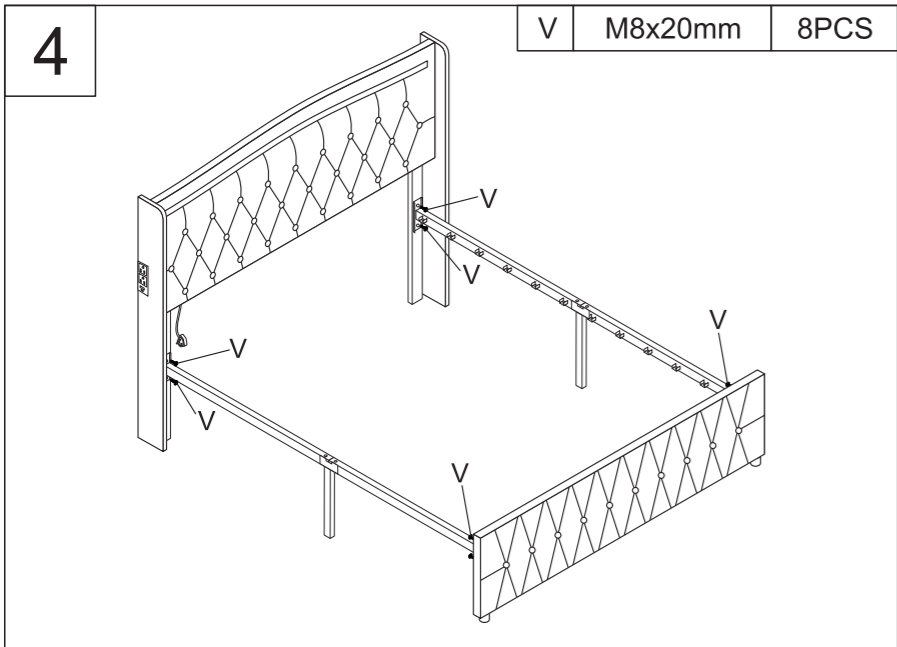


3

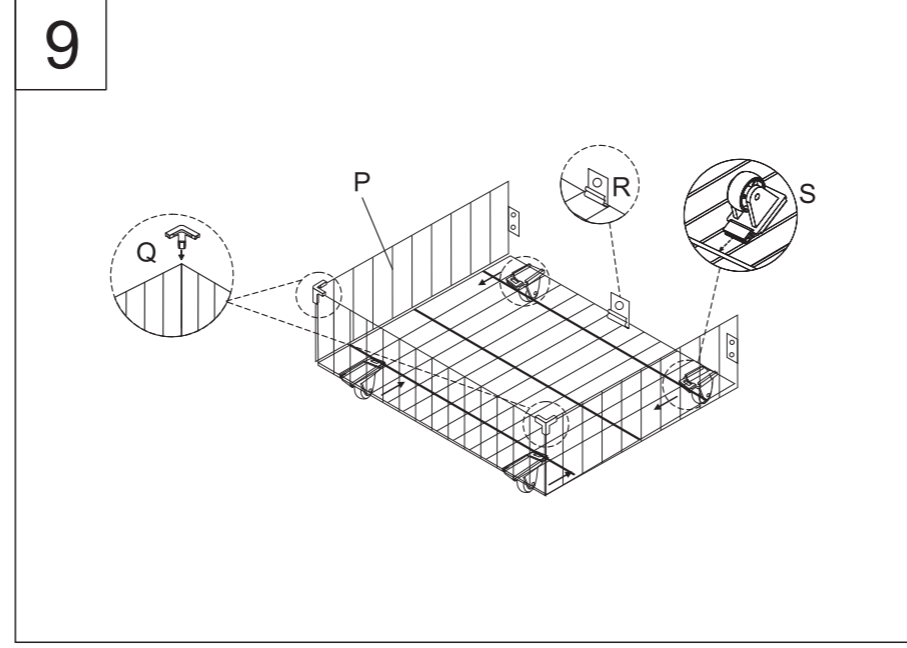
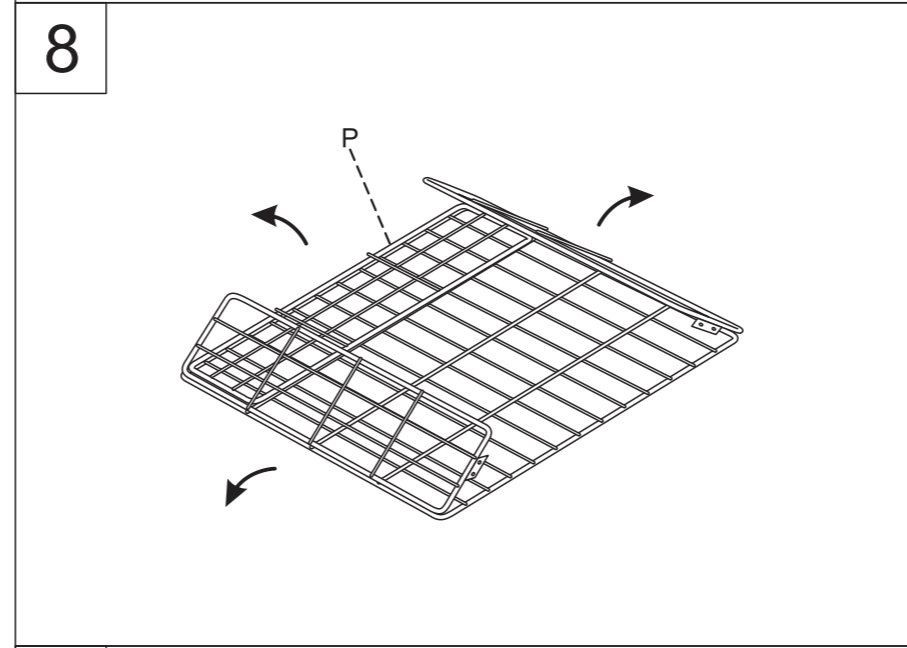
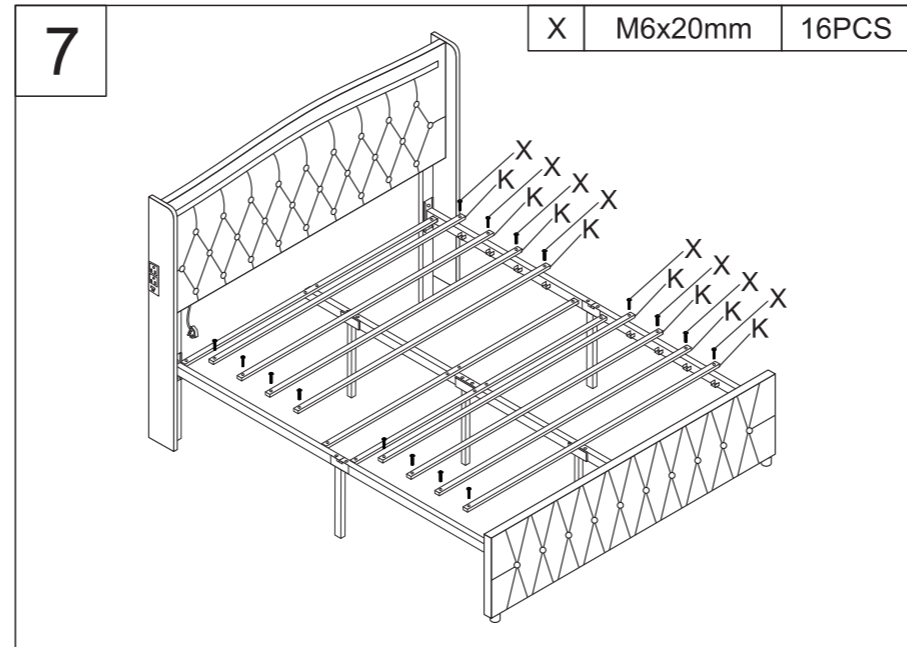
Y	M8x50mm	4PCS
---	---------	------



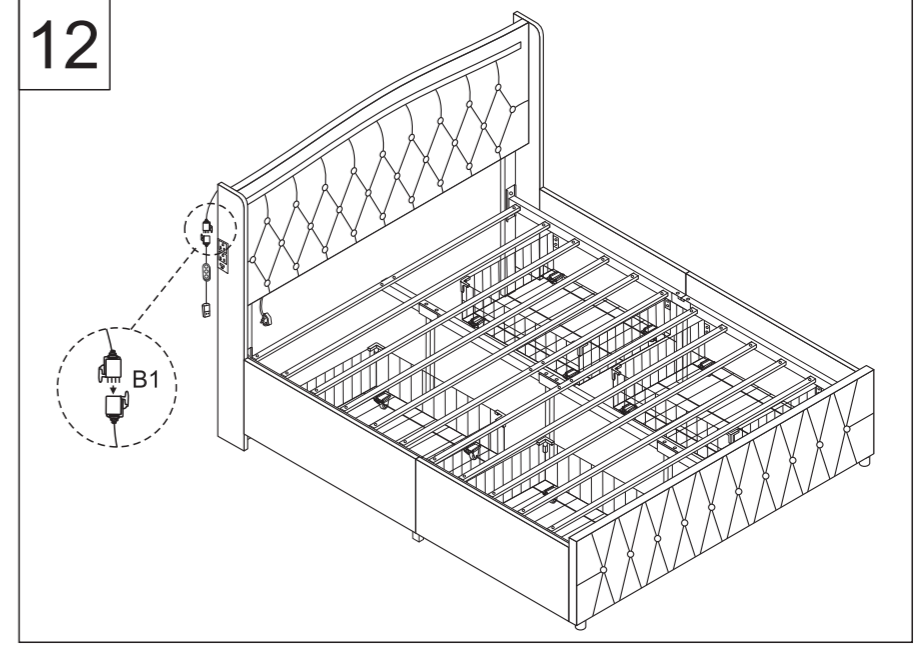
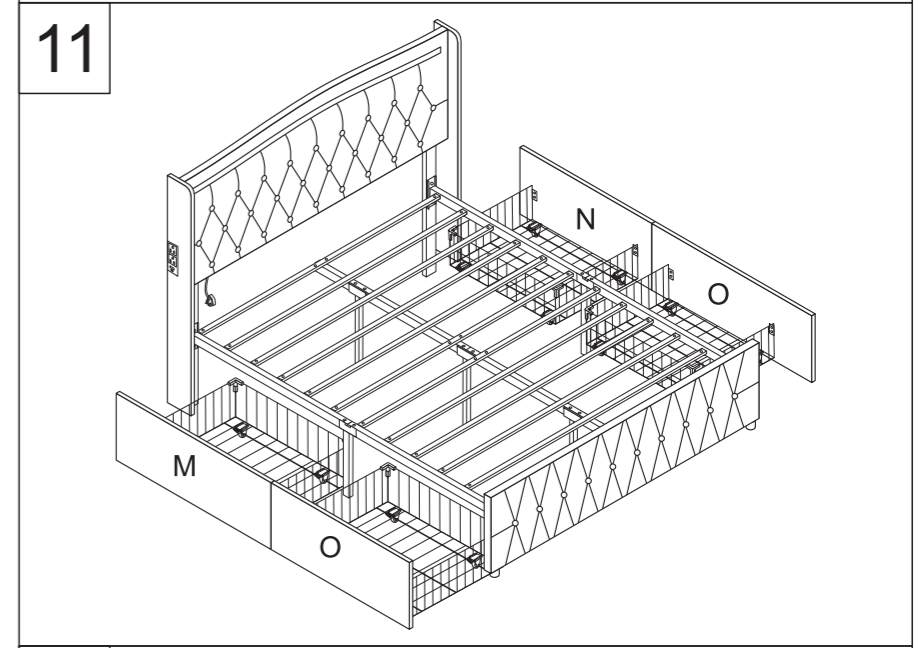
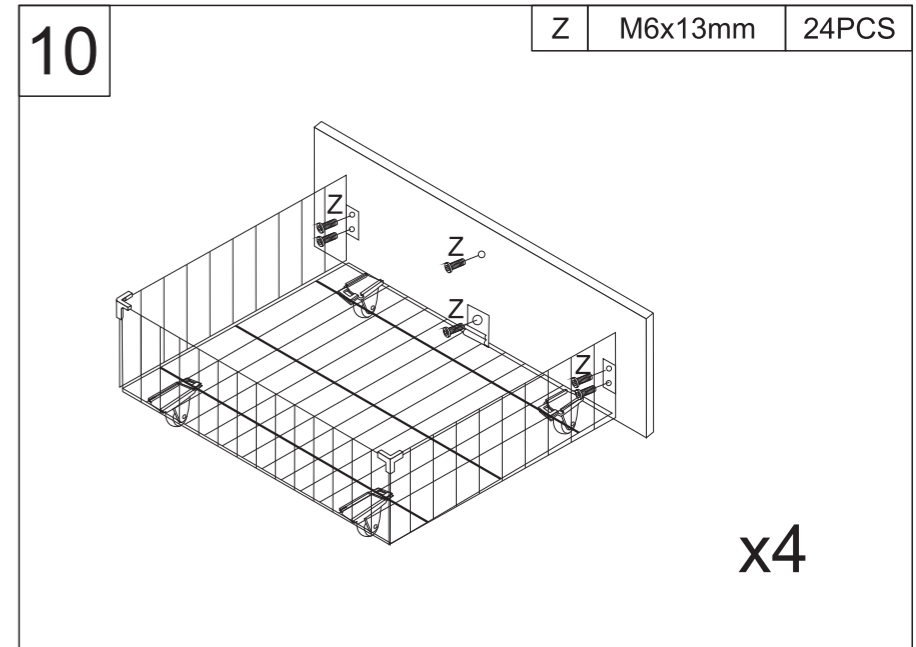
3



4



5



6