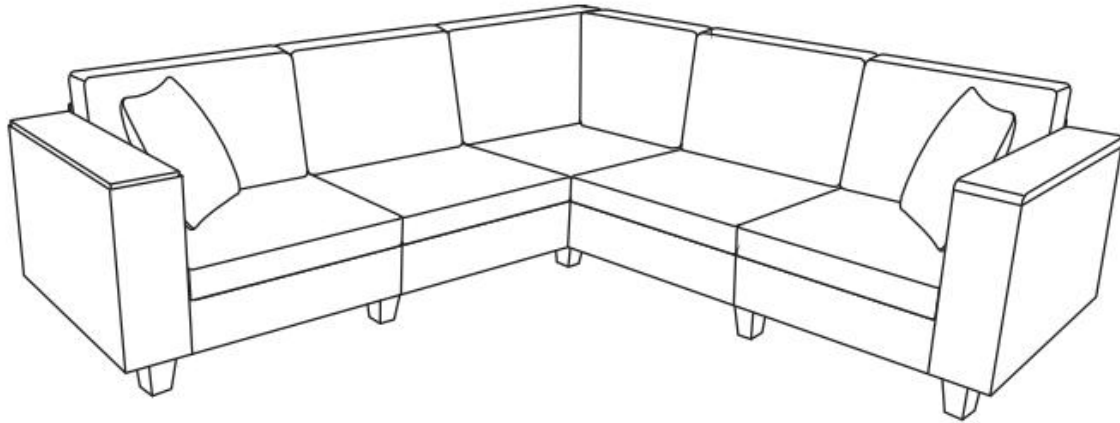


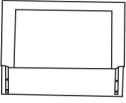
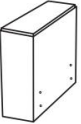
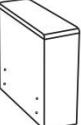
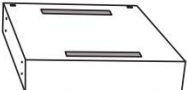
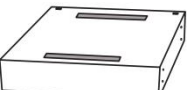


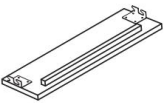
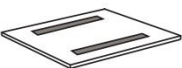
# Assembly Instructions

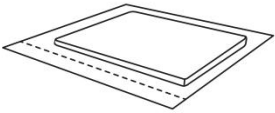
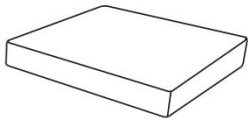




**Note: Please help to read my instruction before you ready to assemble.**

## SOFA













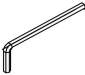
## **Part List**

<b>Label</b>	<b>Picture</b>	<b>Description</b>	<b>QTY (PCS)</b>
A		Backrest	6
B		Left Armrest	1
C		Right Armrest	1
D		Left Seat Frame	1
E		Right Seat Frame	1
F		Corner Seat Frame	1
G		Back Rail	2
H		Front Rail	2
I		Seat Panel	2

J		Seat Cushion Package	5
J1		Seat Cushion	5
K		Back Cushion	5
L		Corner Back Cushion	1
M		Pillow	2
N		Leg	12

## Hardware

①		Wood dowel	8
②		"L" Iron Connect Plate	4
③		Plastic Washer	12
④		Screw Arbor(M8*70mm)	8
⑥		Bolt (M8*20mm)	8

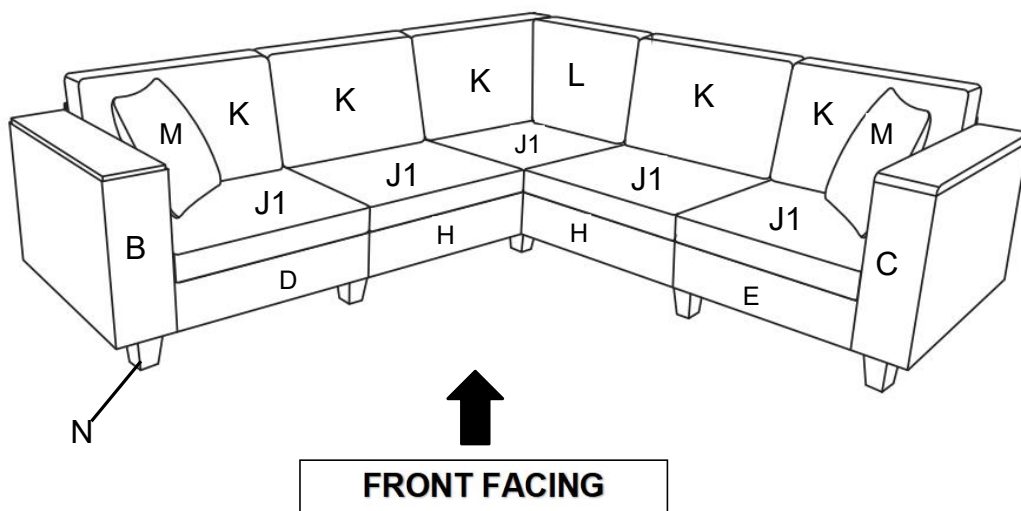
⑦		Bolt (M8*40mm)	24
⑧		Flat Washer	32
⑨		Spring Washer	32
⑩		Nut	8
⑪		Spanner	1
⑫		Allen Wrench (S5)	1

## NOTICE:

- Please read the instruction from cover to cover in detail.Thanks.
- Installed by at least two adults
- To avoid damaging your furniture , Please don't assemble on flooring or carpet.
- Please assemble on a clean non-marring surface, example for packing foam.
- Saving all packaging until have finished.

## Assembly Steps:

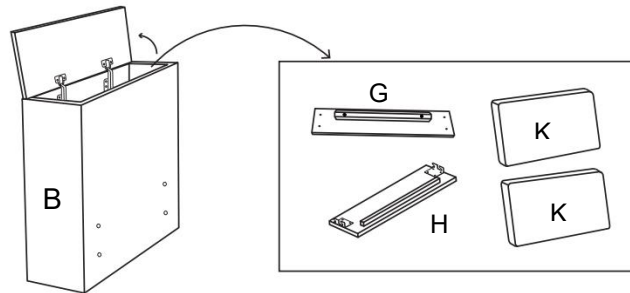
### OVERVIEW



This SOFA has multiple parts and may require up to 45 minutes to assemble. To give you an overview of the SOFA parts, the above picture is to help you put the various parts into perspective. Please read through the instructions below to familiarise yourself with the parts and steps before assembly.

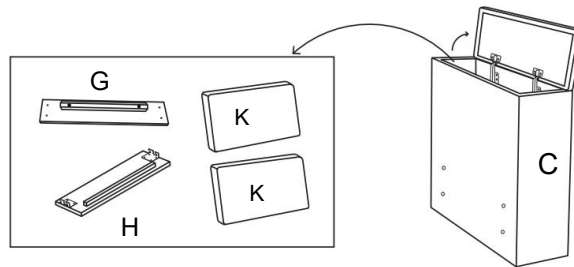
Note: It is recommended that you have an adult partner to assist during the entire assembly process.

**Step 1**



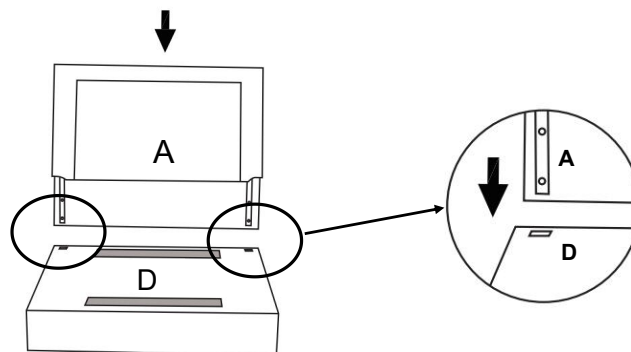
Remove Back Rail (G), Front Rail (H) and two Back Cushions (K) from Left Armrest (B).

**Step 2**



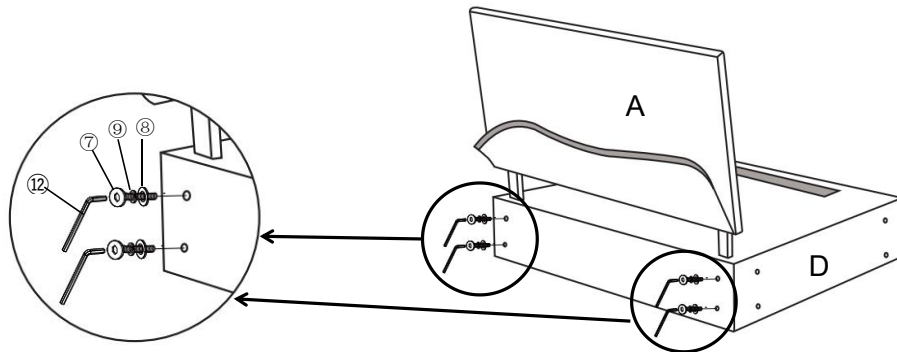
Remove Back Rail (G), Front Rail (H) and two Back Cushions (K) from Right Armrest (C).

**Step 3**



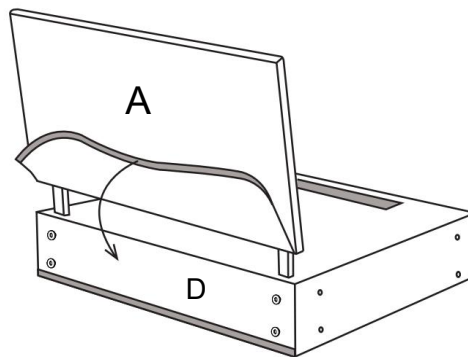
Insert the Backrest (A) into the Left Seat Frame (D).

**Step 4**



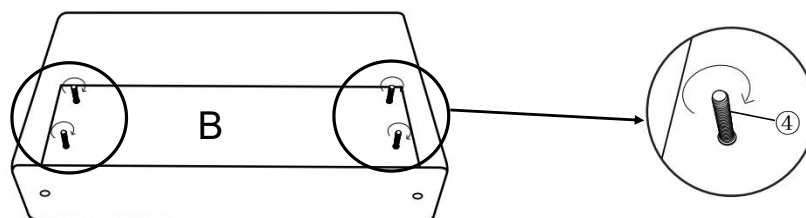
Then using Bolt(7) Sping Washer (9)Flat Washer(8) with Allen Wrench(12),turning clockwise until tight as shown.

**Step 5**



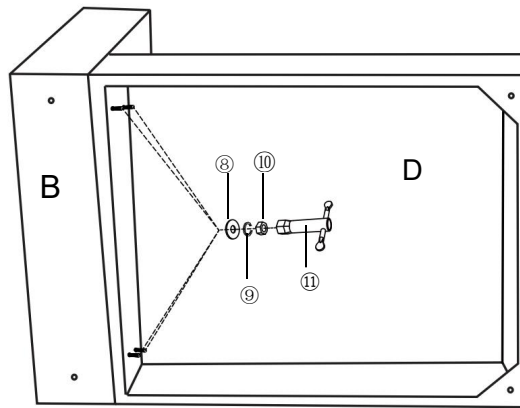
Attach the magic tape to the back of the Left Seat Frame(D).

**Step 6**



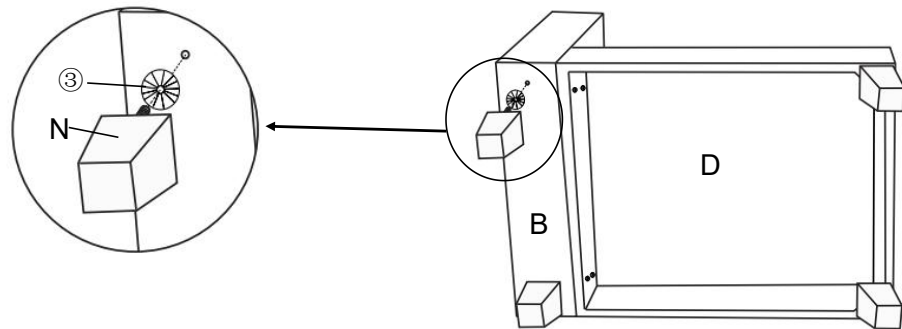
Insert the short end of four Screw Arbor(4) into Left Armrest (B), and turning clockwise until tight as shown.

Step 7



Install the Left Armrest(B) to Left Seat Frame(D) by using Nut (10) Spring Washer (9) Flat Washer(8) with Spanner(11), turning clockwise until tight.

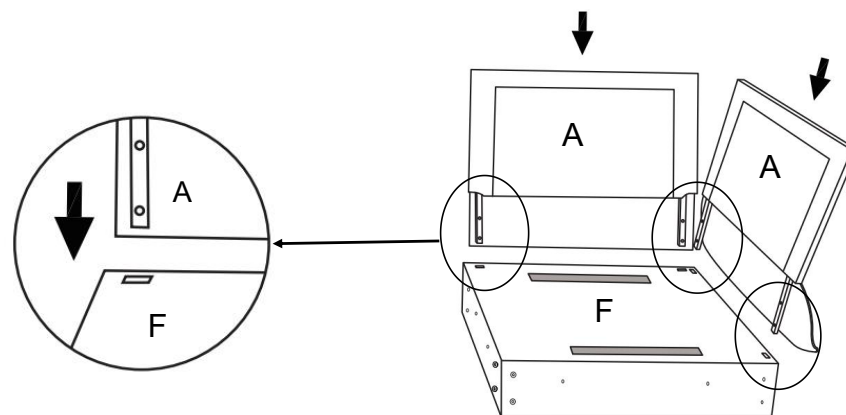
Step 8



Install the Leg(N) at the bottom of Left Seat Frame(D) and Left Armrest(B) by placing Plastic Washer(3) on the threaded stem. Then insert the threaded stem into the threaded mounting position at the bottom of Left Seat Frame(D) and Left Armrest(B), turning clockwise until tight.

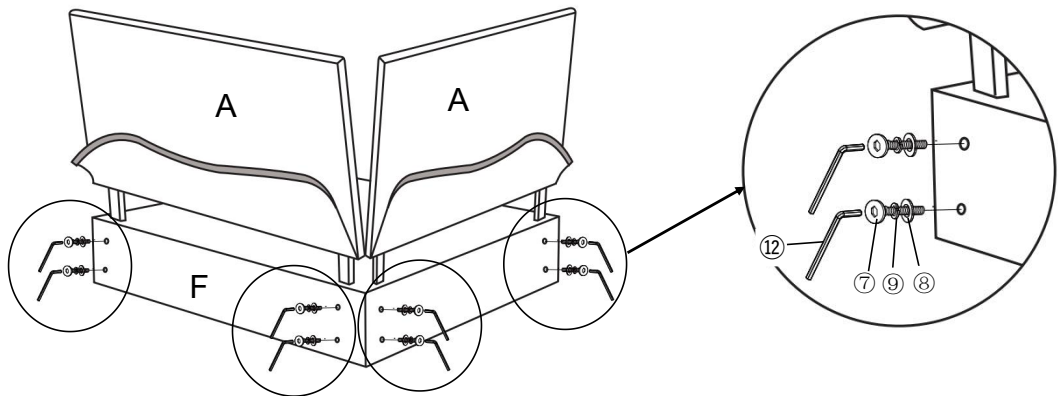
**Note:** The use of Plastic Washer(3) are OPTIONAL and are especially useful to help alleviate slight wobbleness. Some Legs may need more than one Plastic Washer(3) whilst some Legs may not need any.

Step 9



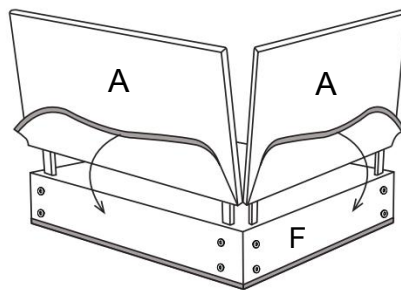
Insert the Backrest (A) into the Corner Seat Frame(F).

Step 10



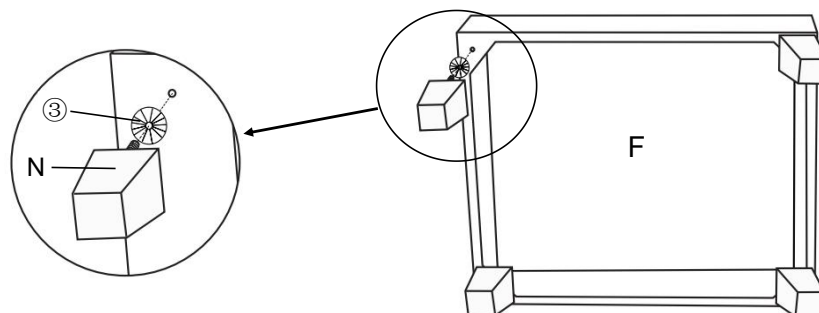
Use Bolt(7) Sping Washer (9)Flat Washer(8) with Allen Wrench(12),and turn clockwise until tight as shown.

Step 11



Attach the magic tape to the back of the Corner Seat Frame(F).

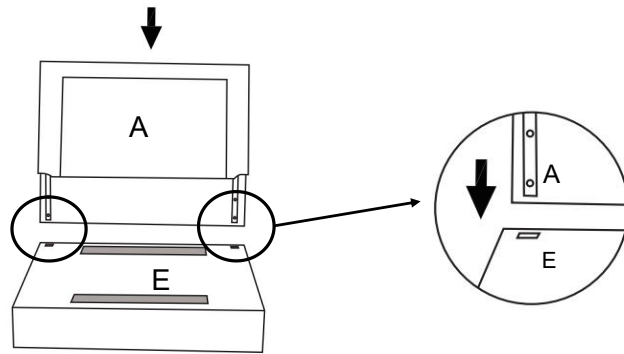
Step 12



Install the Leg(N) at the bottom of Corner Seat Frame(F) by placing Plastic Washer(3) on the threaded stem. Then insert the threaded stem into the threaded mounting position at the bottom of Corner Seat Frame(F),turning clockwise until tight.

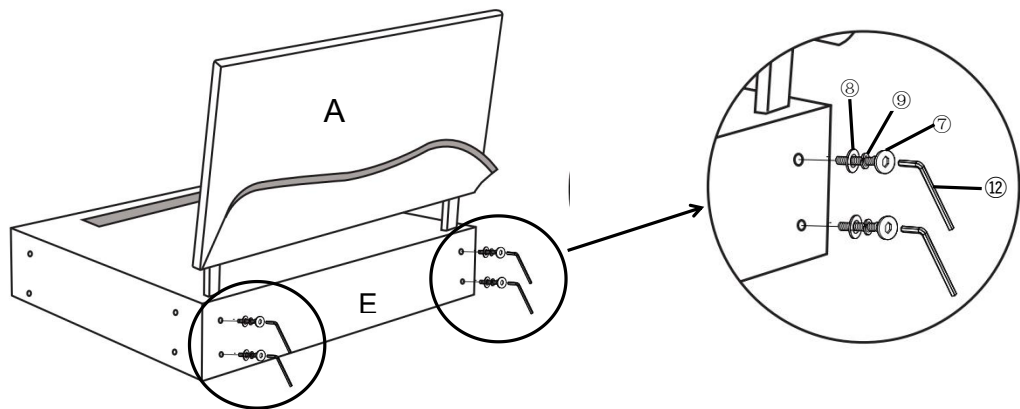
**Note:** The use of Plastic Washer(3) are OPTIONAL and are especially useful to help alleviate slight wobbleness. Some Legs may need more than one Plastic Washer(3) whilst some Legs may not need any.

**Step 13**



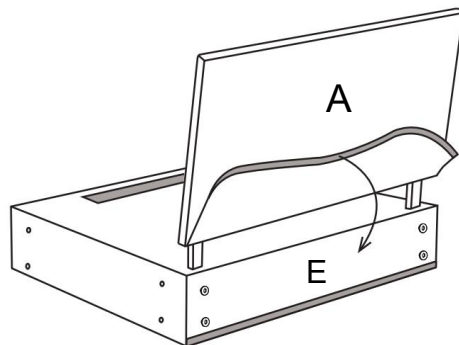
Insert the Backrest(A) into the Right Seat Frame(E).

**Step 14**



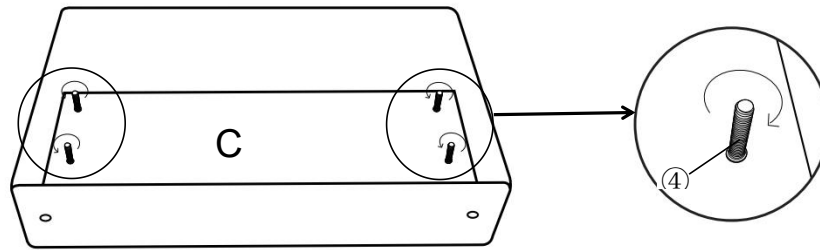
Use Bolt(7) Sping Washer (9) Flat Washer(8) with Allen Wrench(12), and turn clockwise until tight as shown.

**Step 15**



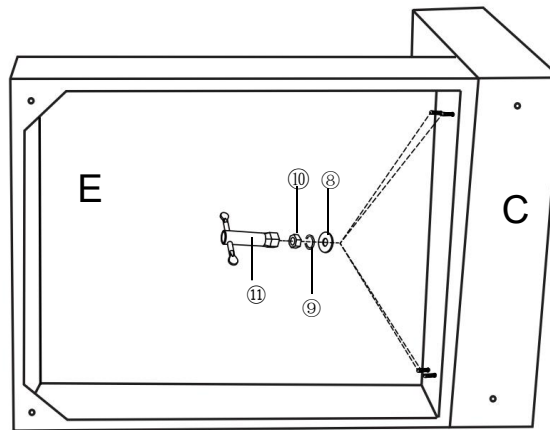
Attach the magic tape to the back of the Right Seat Frame(E).

**Step 16**



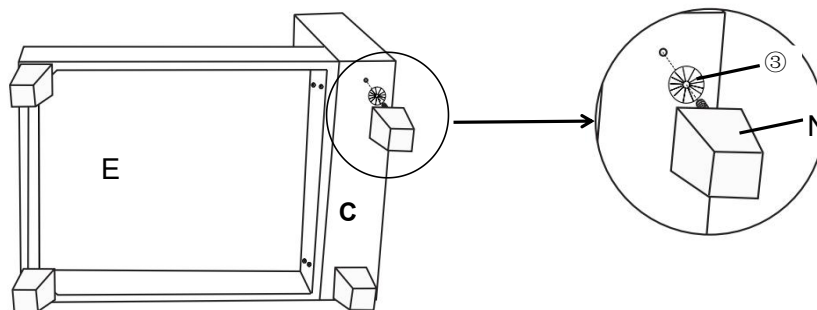
Insert the short end of four Screw Arbor(4) into Right Armrest (C), and turning clockwise until tight as shown.

**Step 17**



Install the Right Armrest(C) to Right Seat Frame(E) by using Nut (10) Spring Washer (9) Flat Washer(8) with Spanner(11), turning clockwise until tight.

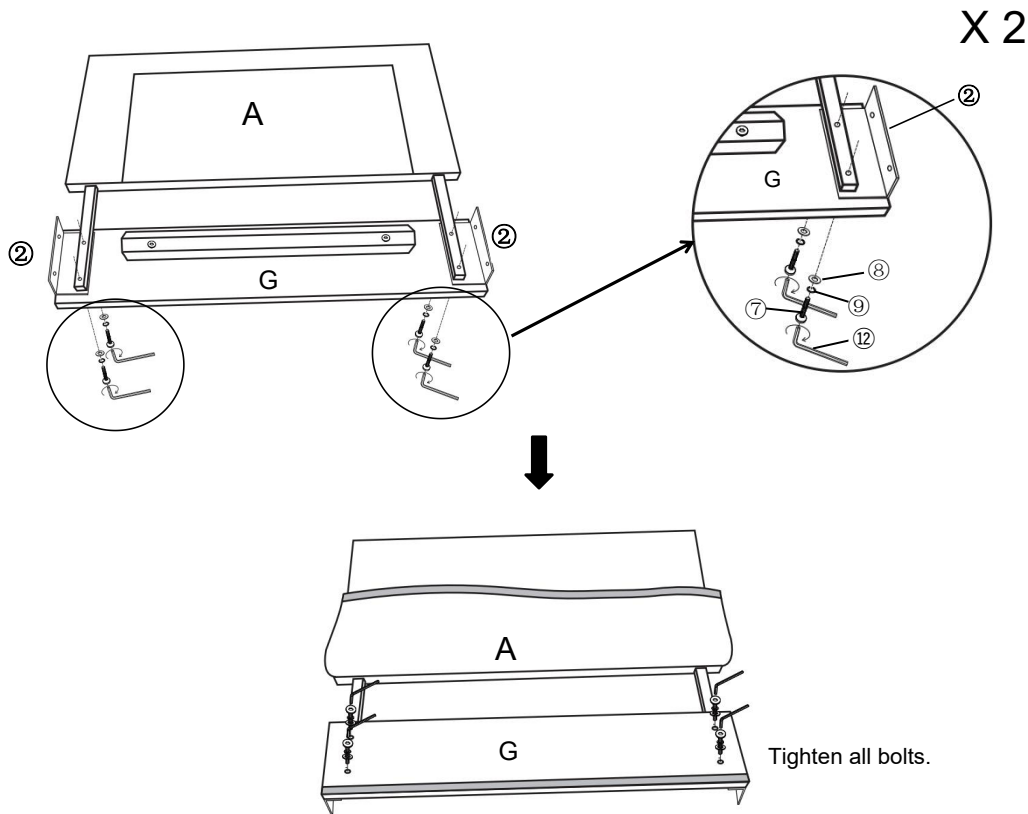
**Step 18**



Install the Leg(N) at the bottom of Right Seat Frame(E) and Right Armrest(C) by placing Plastic Washer(3) on the threaded stem. Then insert the threaded stem into the threaded mounting position at the bottom of Right Seat Frame(E) and Right Armrest(C), turning clockwise until tight.

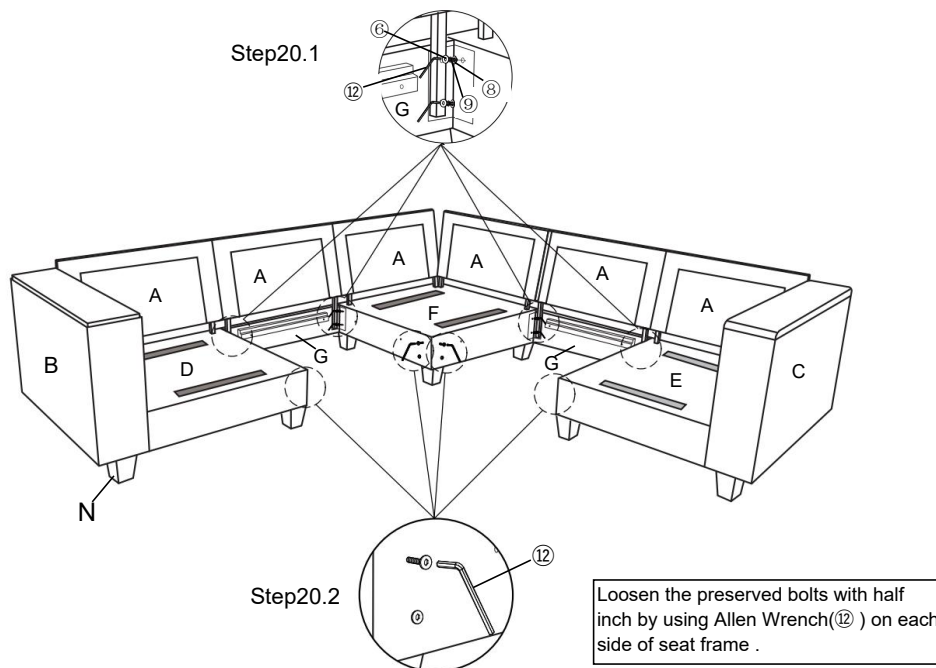
Note: The use of Plastic Washer(3) are OPTIONAL and are especially useful to help alleviate slight wobbleness. Some Legs may need more than one Plastic Washer(3) whilst some Legs may not need any.

**Step 19**



Install the Backrest(A) and Back Rail (G) by using "L " Iron Connect plate(2), then using Bolt(7) Sping Washer (9) Flat Washer(8) with Allen Wrench(12), then turn over and tighten all bolts clockwise. Repeat this step with the other one.

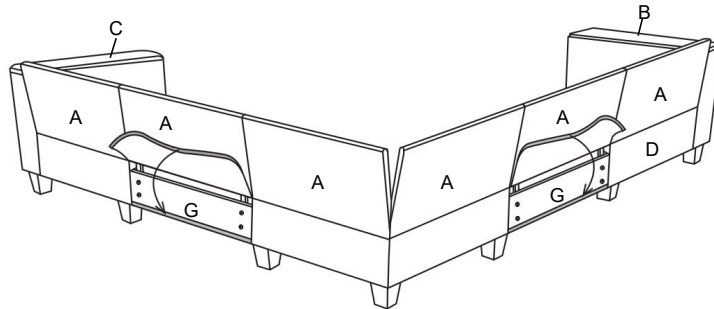
**Step 20**



Step20.1 Connect the Left Seat Frame(D)to the Corner Seat Frame(F)with Semi-assembly Parts(Step 19) by using Bolt (6), Sping Washer (9) Flat Washer(8) with Allen Wrench(12),turning clockwise until tight. Repeat this step with the Right Seat Frame(E).

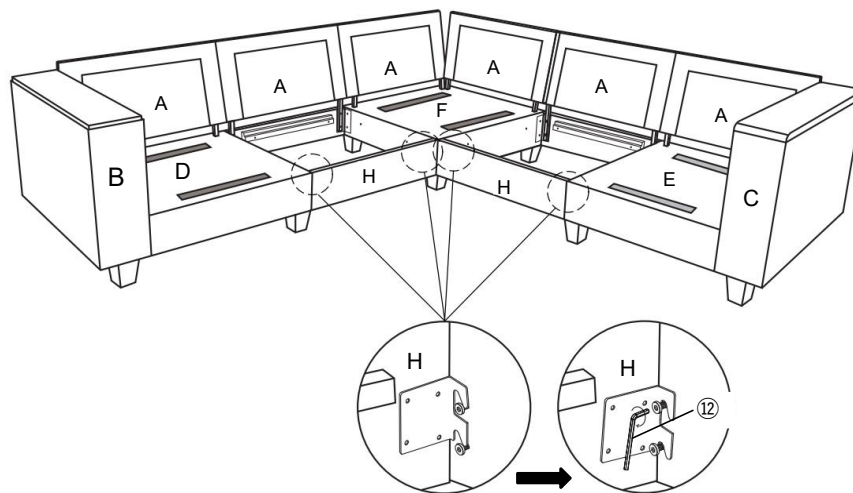
Step20.2 Loosen the preserved bolts with half inch by using Allen Wrench(12) on each side of seat frame .

**Step 21**



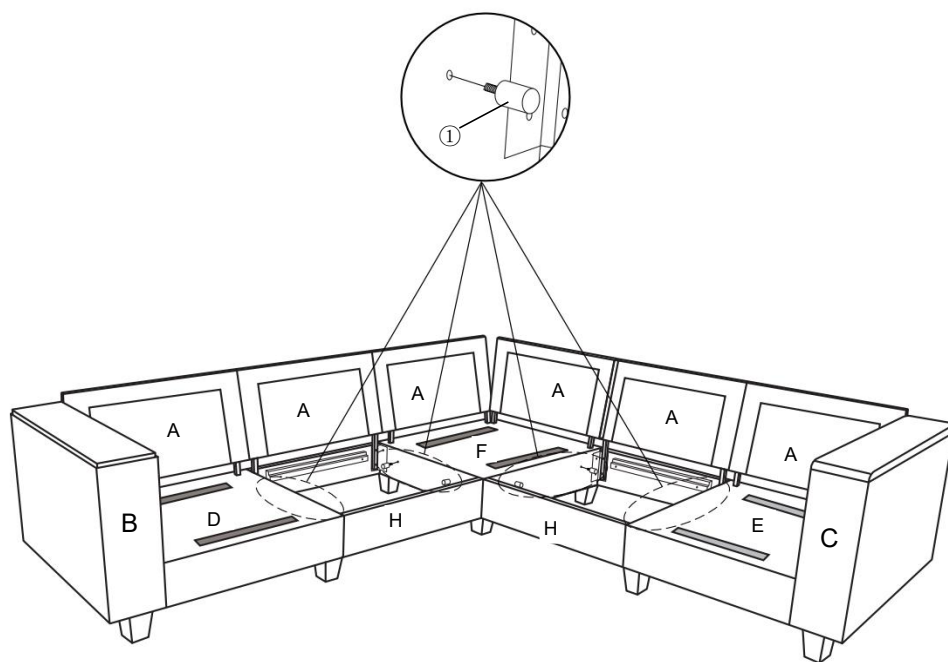
Attach the magic tape to the back of the Back Rail (G).

**Step 22**



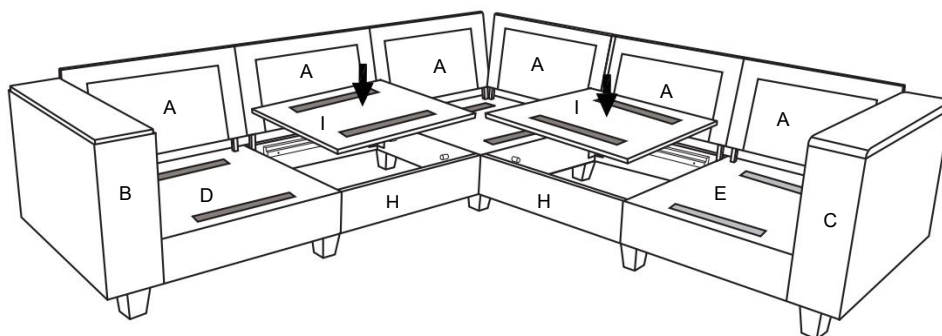
Slide the hook of Front Rail(H) into the bolts on the side of seat frame as picture shown, then tighten the bolts.

**Step 23**



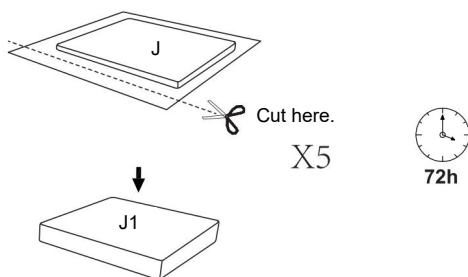
Install eight Wood dowels (I) into the preformed hole of Seat Frame(D),Seat Frame(E) and Corner Seat Frame (F).

**Step 24**



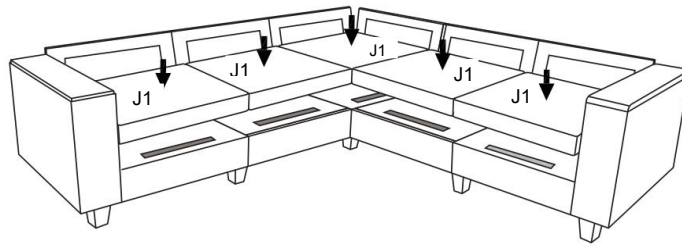
Put the Seat Panels (I) on the middle positions.

**Step 25**



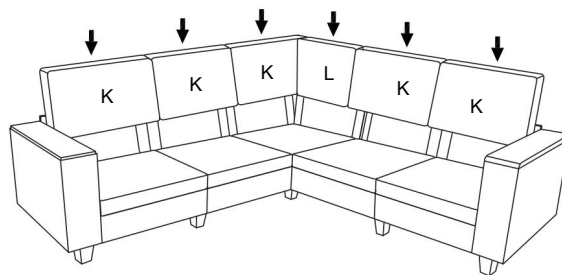
Cut the Seat Cushion Packages (J) , then take out Seat Cushions (J1).Full decompression may take up to 72 hours.

**Step 26**



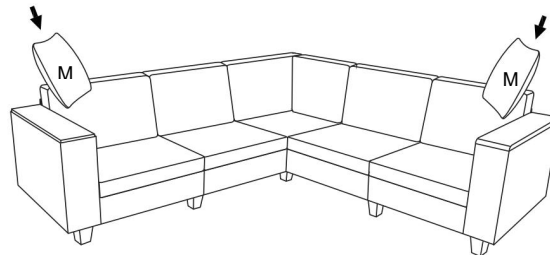
Put the Seat Cushions (J1) on your sofa.

**Step 27**



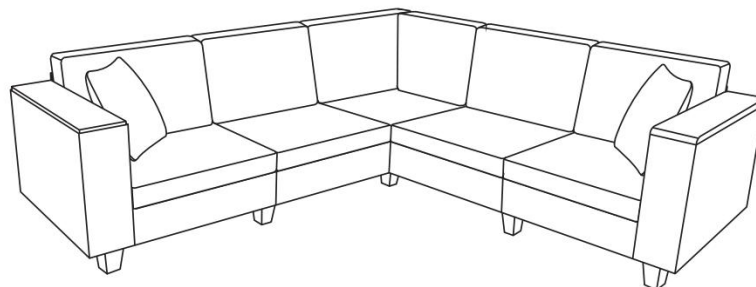
Put the five Back Cushions (K) and one Corner Back Cushion (L) on your sofa.

**Step 28**



Put the Pillows (M) on your sofa.

**COMPLETE**



Your sofa is ready for use !

## Care & Maintenance



- Furniture may scratch floors. We recommend using furniture pads to protect your floors.



- Do not put hot items directly on furniture surface.



- Do not clean furniture with harsh cleansers or polish.



- Do not place furniture under direct sunlight.



- Do not place furniture near heating or cooling vents.



- Do not write on furniture without a padded barrier to protect the surface.



- Do not place furniture outside . For indoor use only.



- Not for commercial use. For residential use only.



- Stains may be removed with mild soap solution and damp cloth.



- Children should not climb or jump on the furniture.



- Dust and pick-up spills using a clean, non-colored, lint-free cloth.