

NOTICE

- * Please make sure that you have all parts indicated and they are in good condition before you begin assembly of this item. Refer to part list and hardware list below for guidance.
- * This item should be assembled on a soft surface to prevent scratching the finish during assembly.
- * This item may require periodic tightening.







- * Before beginning assembly of product, make sure all parts are present. Compare parts with part contents list and hardware contents list.
- * If any part is missing or damaged, do not attempt to assemble the product.
- * Estimated Assembly Time: 15 minutes.
- * Tools Required for Assembly (included): Allen Key.

CARE AND MAINTENANCE

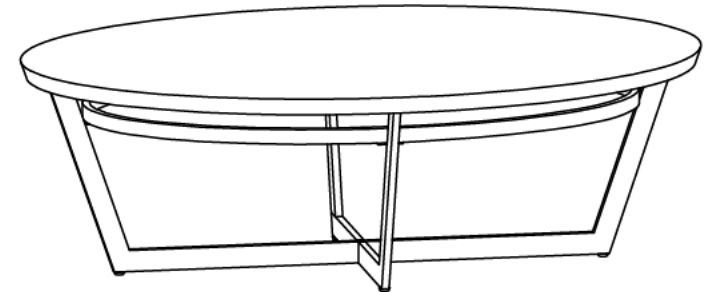
INDOOR METAL/ALUMINUM FURNITURE: Wipe spills immediately. Maintain with regular dusting and clean with mild soap and water, dry thoroughly and do not use a brass cleaner. Adhesive felt pads should always be used/applied in order to prevent damage to the furniture or surfaces on which the furniture is placed.

WOOD CARE: Adhesive felt pads should always be applied to areas of furniture which make direct contact with flooring, said application will prevent damage to the furniture and or surfaces on which the furniture lies. Objects placed on articles of furniture should rest on non abrasive material as to prevent damage to the wood finish. Wipe up spills immediately and avoid common hazards such as hot dishes, harsh solvents and abrasives. Cleaning should be done with a soft lint free cotton cloth dampened with water or furniture polish.

Part List and Hardware List

PIECE	DESCRIPTION	PICTURE	QTY
A	Long Iron Frame (groove down)		1x
B	Short Iron Frame (groove up)		1x
C	Middle Frame		1x
D	Table Top		1x
HW1	Hex Socket Bolt 1/4"-20 x 0.625"		16x
HW2	Allen Key M4		1x

Product Dimensions: 47.5"W x31.5"D x 15"H



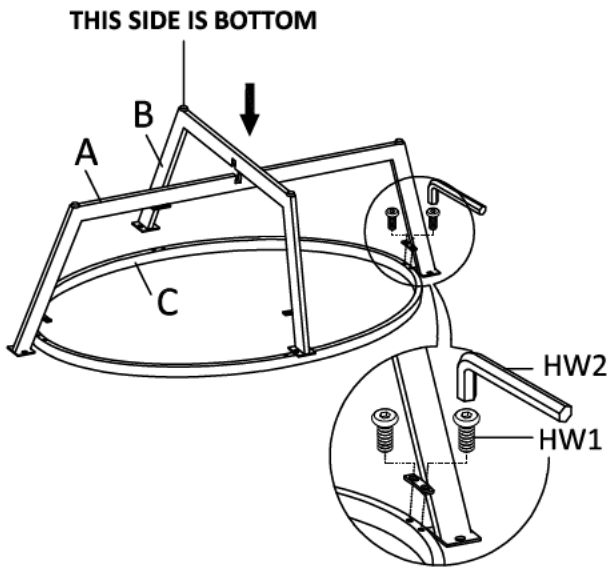
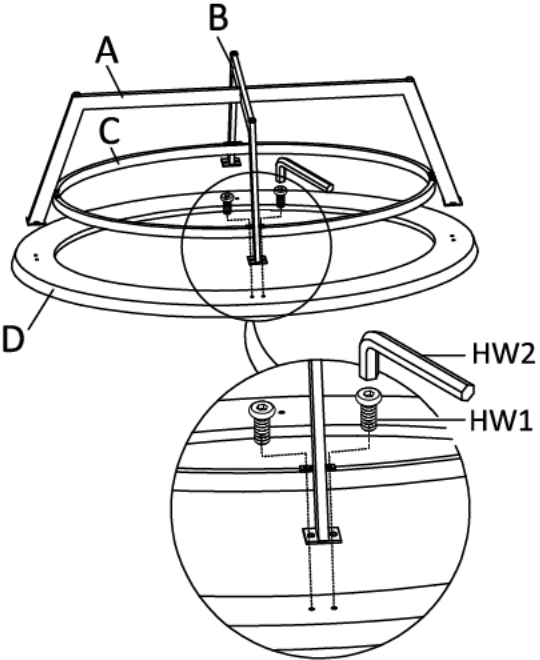
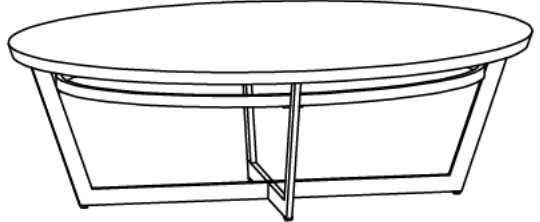
Weight capacity: 25 lbs

WARNING : DO NOT STAND ON THE PRODUCT

WARNING : DO NOT OVER TORQUE BOLTS

PREPARATION

- * Before beginning assembly of product, make sure all parts are present. Compare parts with part contents list and hardware contents list.
- * If any part is missing or damaged, do not attempt to assemble the product.
- * Estimated Assembly Time: 15 minutes.
- * Tools Required for Assembly (included): Allen Key.

<p>1</p> 	<p>2</p> 	<p>3</p> 
<p>Step 1 To put the Long Iron Frame (groove down) and Short Iron Frame (groove up) of tongue-and-groove into place. Then attach it to the Middle Frame (C) and aligning screw holes. Using Allen Key (HW2) to lock with 8*Hex Socket Bolt (HW1).</p>	<p>Step 2 Attach the assembled iron base on the underneath of Table Top (D) and aligning screw holes. Using Allen Key (HW2) to lock with 8*Hex Socket Bolt (HW1).</p>	<p>Step 3 Straighten up the assembled product, Assembly is completed.</p>