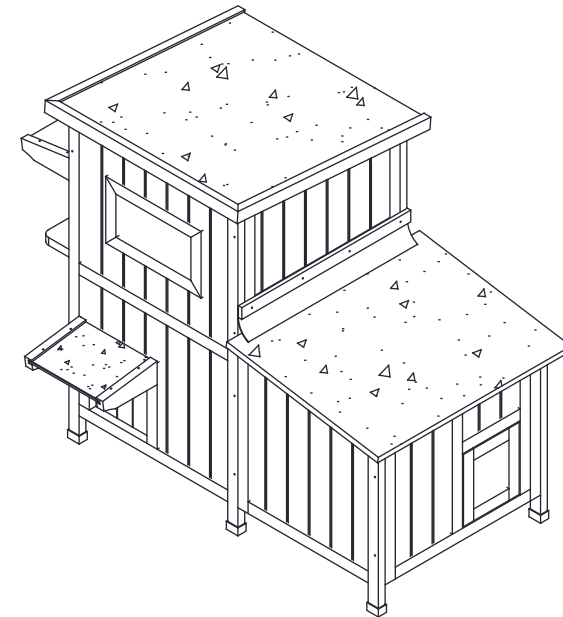


ASSEMBLY INSTRUCTIONS

PLEASE RETAIN THIS INSTRUCTIONS FOR FUTURE REFERENCE



TIME: 30-60 minutes



NUMBER OF PEOPLE: 2

Greeting!
So here I am

your new pet house

- ▶ Thanks for letting me be a home for your furry friend(s).
- ▶ They'll be cozy and protected from the weather when they're with me.
- ▶ Just remember to take care of me too, so I can last a long time.
- ▶ When you open the box, you might smell a funny smell. Don't worry, it's not dangerous,
- ▶ Just let me air out for a few days and the smell will go away.
- ▶ Be careful when you're putting me together because some of my parts can be sharp or heavy.
- ▶ Make sure all the screws are tight during installation and double-check that they're all secure before using me.
- ▶ If you notice anything broken or missing, stop using me until it's fixed. and please follow the instructions from my maker so your warranty stays good.
- ▶ You can use me indoors or outdoors, but if you place me outside, please remember to protect me from prolonged exposure to rain. If it's raining heavily, be sure to cover me to ensure my longevity.
- ▶ Remember to place and use me on a flat surface to make sure it's put together correctly and works well.
- ▶ Keep me away from fire and dangerous chemicals.
- ▶ Clean me with a damp, soapy sponge without corrosive agents.
- ▶ Dry me with a soft, clean, dry cloth.
- ▶ Do not cleaning me with high pressure.
- ▶ Do not put bleach, acids, solvents, or abrasive cleaners on me.
- ▶ Check that all my bolts, screws, and knobs are tight every 90 days.



HELP CENTER

- ▶ Your full satisfaction is our **FIRST** priority.
- ▶ We hope you enjoy it and have a good shopping experience.
- ▶ We are committed to resolve any issue when the item does not meet your expectations.
- ▶ Please feel free to contact us through order detail page, we will get back to you and solve them within 24 hours.

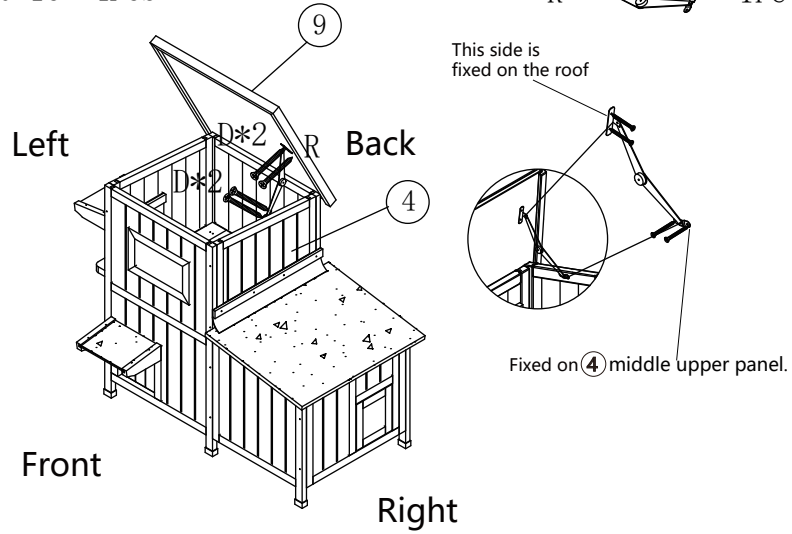


WARNING:

Manufacturer and seller expressly disclaim any liability for personal injury, property damage, or loss, whether direct, indirect, or incidental, resulting from incorrect attachment, improper use, inadequate maintenance, or neglect of this.

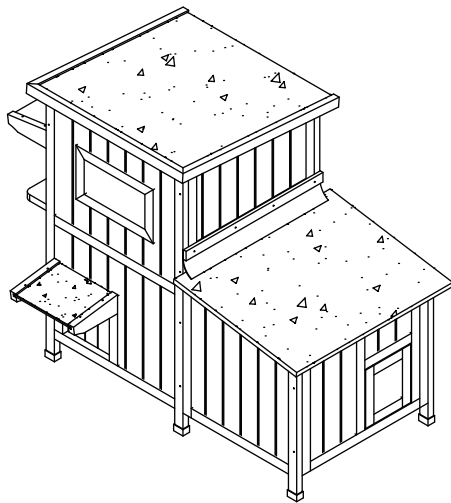
D M3.0*16 4PCS

R  1PC

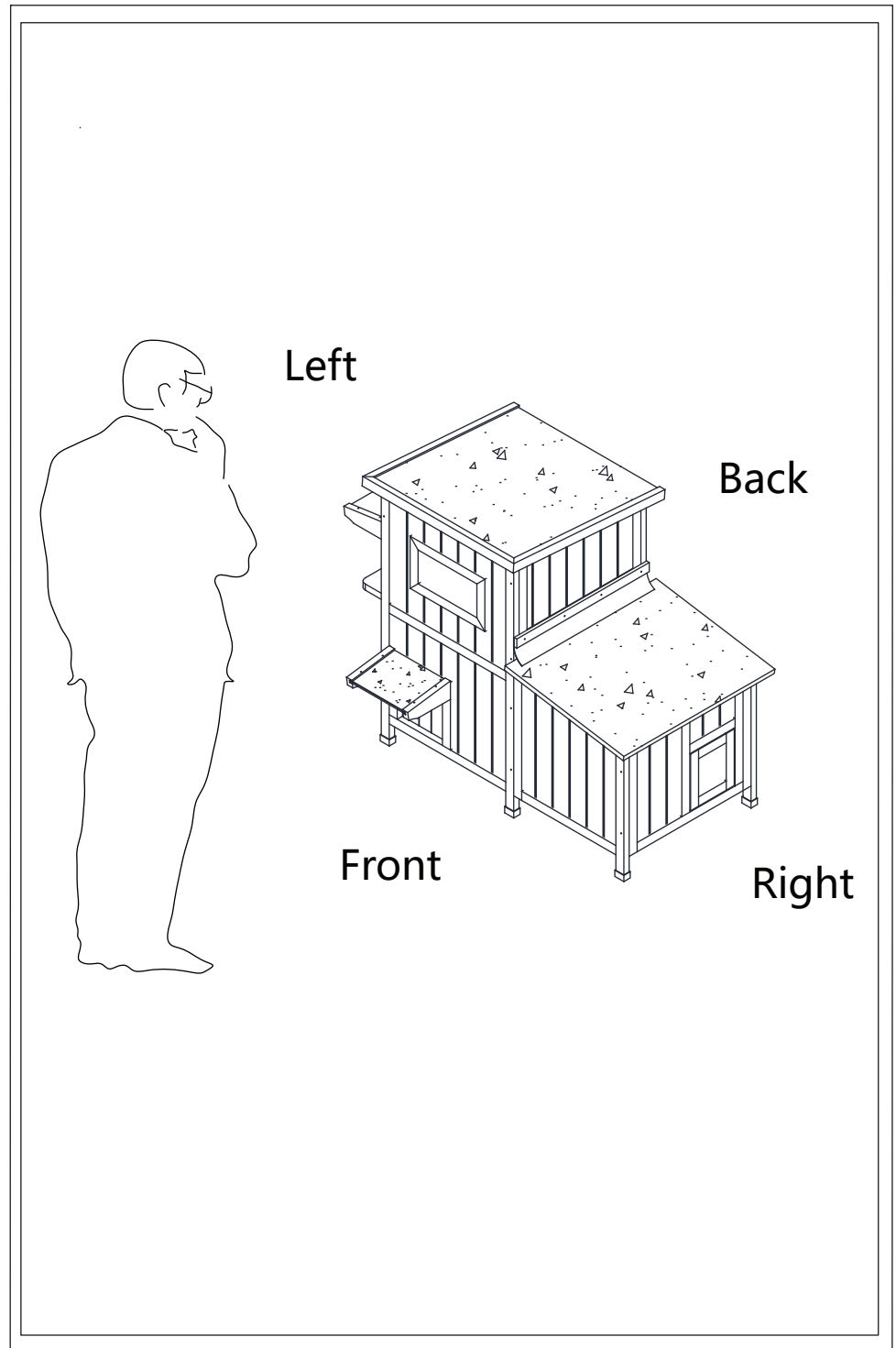


Fix(R) Metal support on ④ Middle upper panel and ⑨ Left roof with screws.


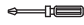
STEP 17

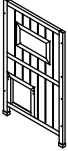



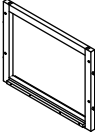

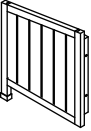
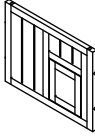
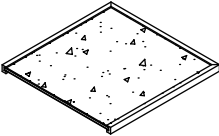
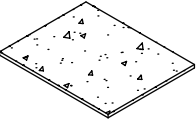
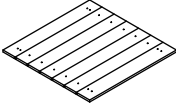
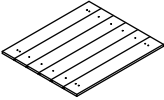
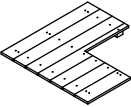




STEP 18

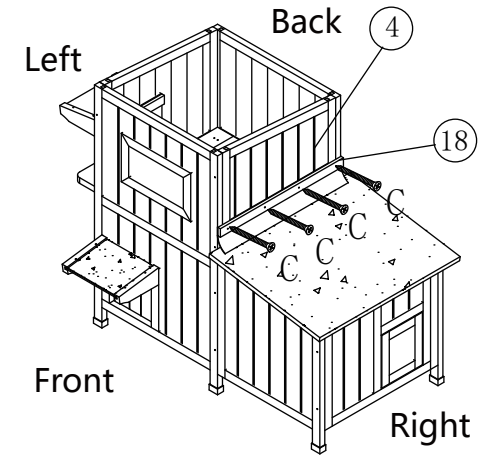


ASSEMBLY INSTRUCTION

Tool Required:  Electric Drill  Phillips Screwdriver

		
① Front left panel	② Back left panel	③ Left panel
		
④ Middle upper panel	⑤ Middle down panel	⑥ Front right panel
		
⑦ Back right panel	⑧ Right panel	⑨ Left roof
		
⑩ Right roof	⑪ Left bottom panel	⑫ Right bottom panel
		
⑬ Layer panel	⑭ Platform	⑮ Small roof

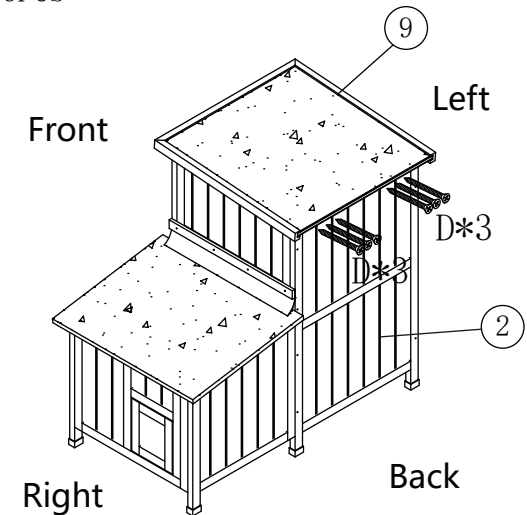
C M3.0*23 4PCS



Fix ⑮ Rainproof strip on ④ Middle upper panel with screws.

STEP 15

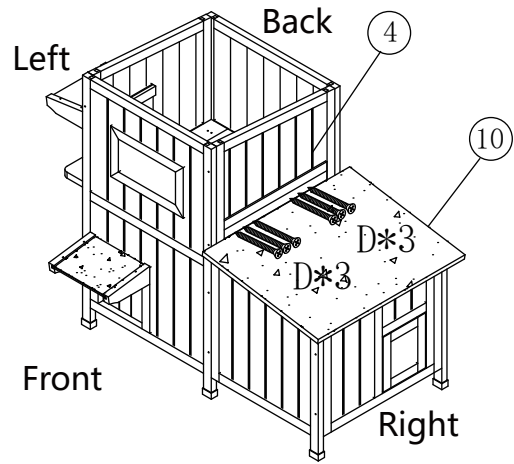
D M3.0*16 6PCS



Fix ⑨ Left roof on ② Back left panel with screws.

STEP 16

D M3.0*16 6PCS

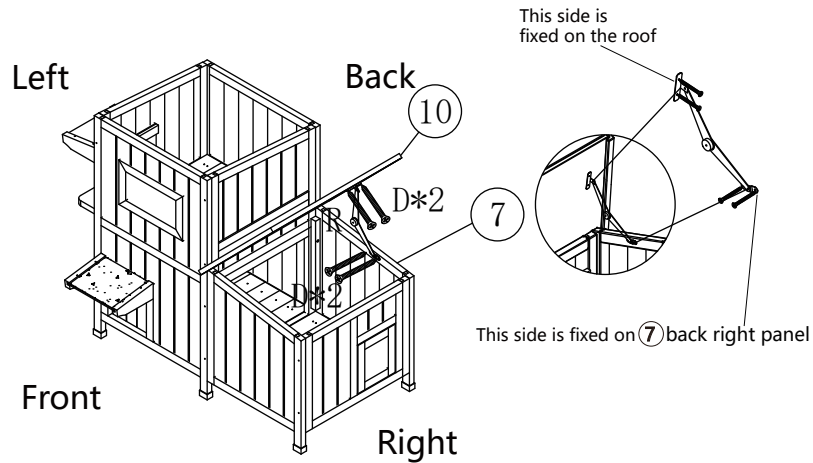


Fix ⑩ Right roof on ④ Middle upper panel with screws.

STEP 13

D M3.0*16 4PCS

R ①PC



Fix (R) Metal support on ⑩ Right roof and ⑦ Back right panel with screws.

STEP 14

ASSEMBLY INSTRUCTION

Tool Required: Electric Drill Phillips Screwdriver

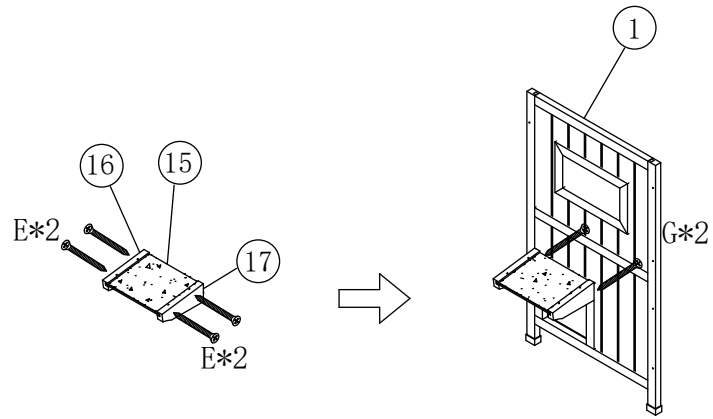
⑩ Left support of small roof	⑪ Right support of small roof	⑫ Rainproof strip
⑬ x2 Door curtain	⑭ Small roof	⑮ Left support of small roof
⑯ Right support of small roof		

Parts Description

	A M3.5*45	18PCS+1
	B M6*50	4PCS
	C M3.0*23	6PCS+1
	D M3.0*16	24PCS+1
	E M3.0*25	14PCS+1
	F M3.5*50	3PCS+1
	G M3.5*40	4PCS+1
	H	2PCS
	I	1PC
	R	2PCS

E M3.0*25 4PCS

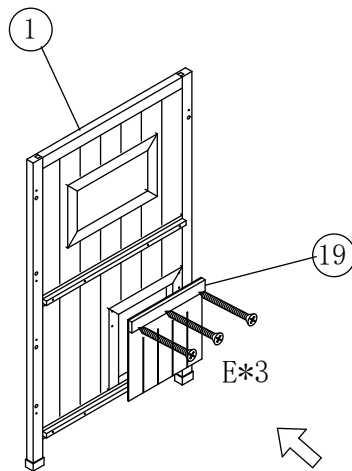
G M3.5*40 2PCS



Fix 15 Small roof, 16 Left support of small roof, 17 Right support of small roof with screws, then fix them on 1 Front left panel with screws.

STEP 1

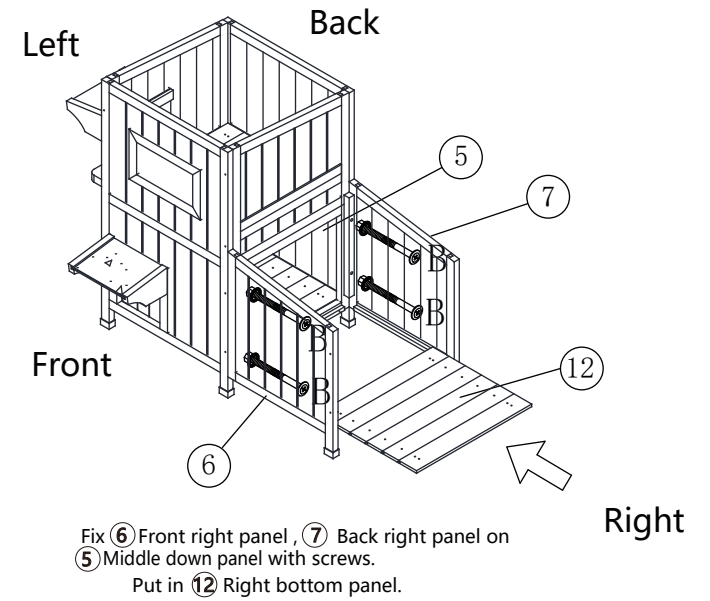
E M3.0*25 3PCS



Fix 19 Door curtain on 1 Front left panel with screws.

STEP 2

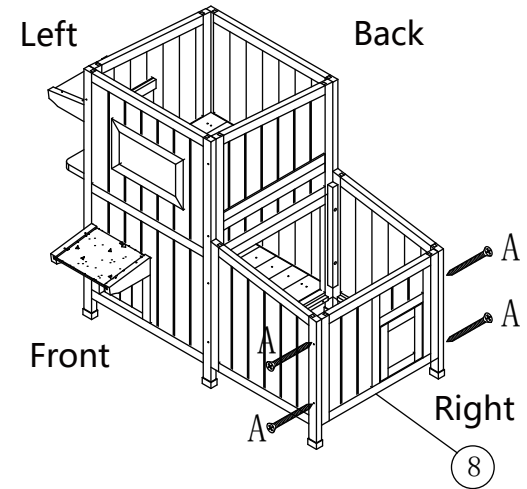
B M6*50 4PCS



Fix 6 Front right panel, 7 Back right panel on 5 Middle down panel with screws.
Put in 12 Right bottom panel.

STEP 11

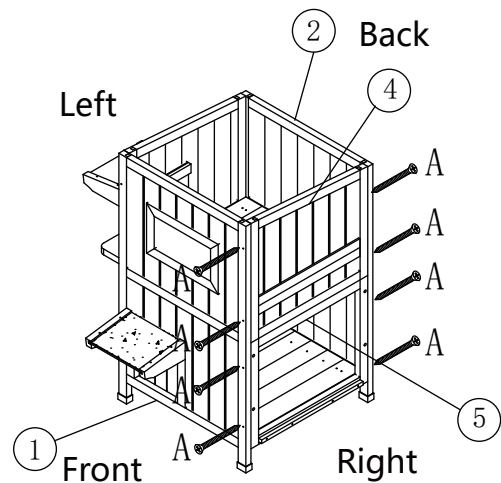
A M3.5*45 4PCS



Fix 8 Right panel with screws.

STEP 12

A M3.5*45 8PCS

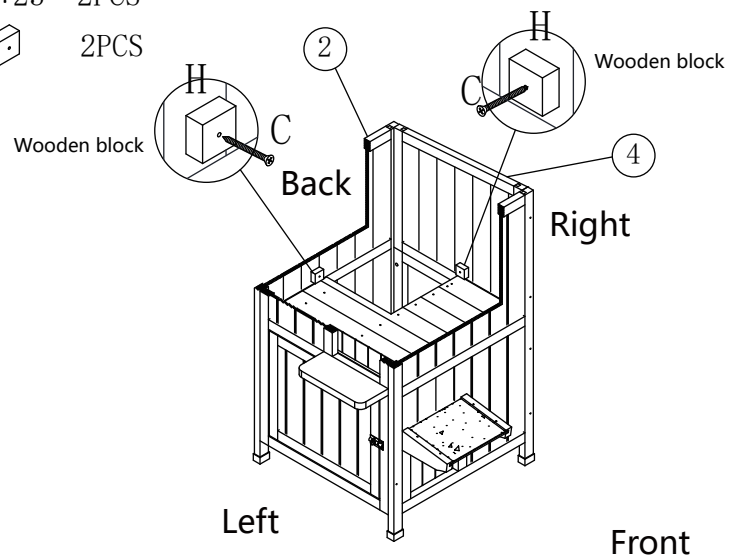


Fix ④ Middle upper panel, ⑤ Middle down panel on ① Front left panel, ② Back left panel with screws.

STEP 9

C M3.0*23 2PCS


H  2PCS

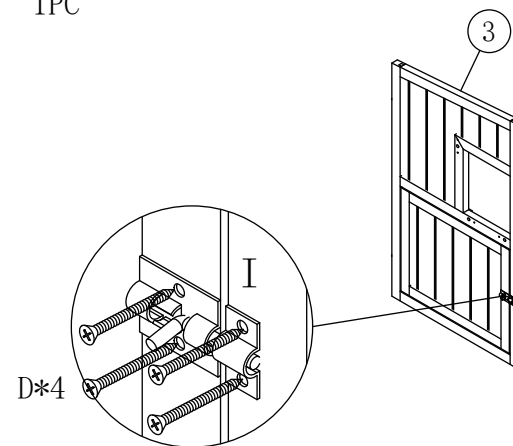


Fix (H)*2 Wooden block on ② Back left panel, ④ Middle upper panel with screws.

STEP 10

D M3.0*16 4PCS

I  1PC

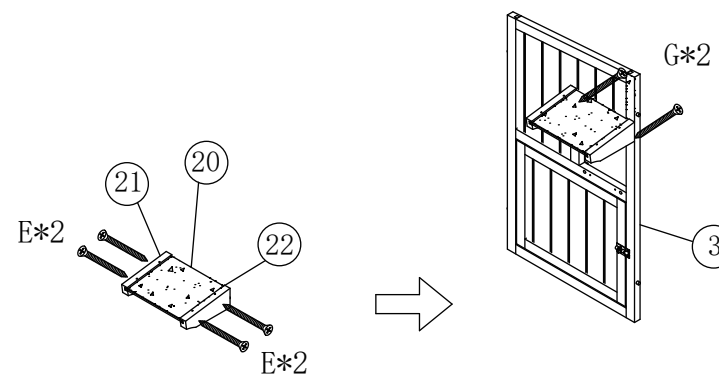


Fix(I) Bolt on ③ Left panel with screws.

STEP 3

E M3.0*25 4PCS

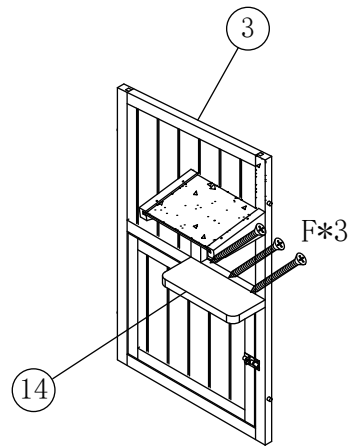
G M3.5*40 2PCS



Fix ②① Small roof, ②① Left support of small roof, ②② Right support of small roof with screws, then fix them on ③ Left panel with screws.

STEP 4

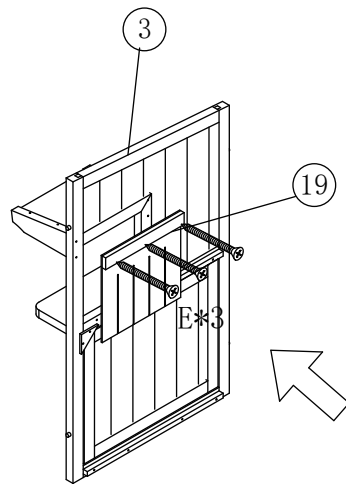
F M3.5*50 3PCS



Fix ⑭ Platform on ③ Left panel with screws.

STEP 5

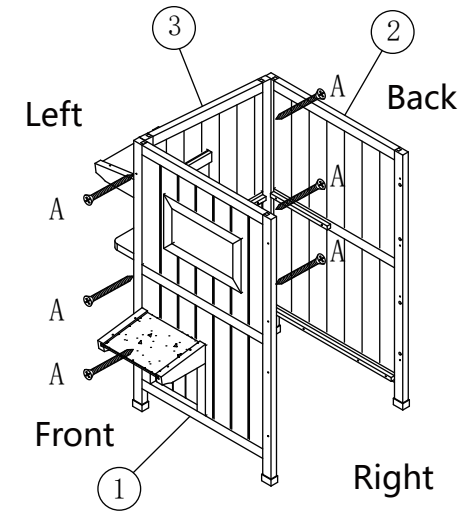
E M3.0*25 3PCS



Fix ⑲ Door curtain on ③ Left panel with screws.

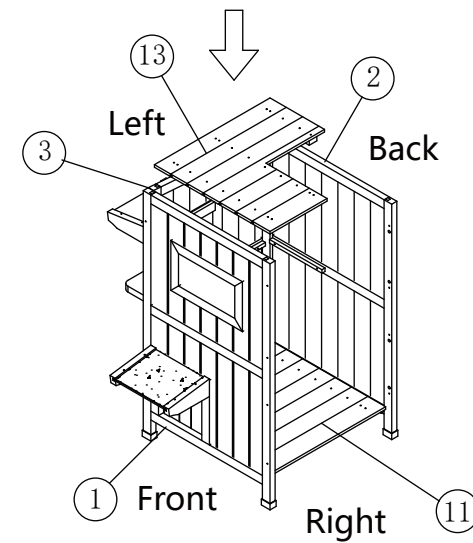
STEP 6

A M3.5*45 6PCS



Fix ① Front left panel, ② Back left panel, ③ Left panel with screws.

STEP 7



Put ⑬ layer panel on the wooden bar of ① Front left panel
② Back left panel ③ Left panel.

Put ⑪ Left bottom panel on the wooden bar of ① Front left panel
② Back left panel ③ Left panel.

STEP 8